

OPERATING MANUAL

ASCOT SUPPLY 3-TON HEAVY DUTY SERVICE JACK



302-05613
AS5613

MAKE SURE TO READ AND FULLY UNDERSTAND THE INSTRUCTION MANUAL BEFORE USING THIS PRODUCT

ASCOTTM
Supply Corporation

⚠ WARNING: For more information go to www.P65Warnings.ca.gov.

General Description & Safety 1

Warnings 2

Assembly 3

Hydraulic System Purging 4

Operating Instructions 5

Maintenance 6

Troubleshooting 7

Exploded View & Parts List 8

Warranty Information 9

Product Description

Hydraulic service jack is designed to lift, but not support, one end of a vehicle. Immediately after lifting, loads must be supported by a pair of appropriately rated jack stands.

Specifications

Capacity	3-Ton
Minimum Height	3 3/8"
Maximum Height	24 1/4"
Hydraulic Lift Range	20 7/8"
Length	31 1/2"
Weight	105.4 lbs.

Safety Information

Important: Read these instructions carefully.

NOTE THE SAFE OPERATIONAL REQUIREMENTS, WARNINGS AND CAUTIONS. USE THIS JACK CORRECTLY AND WITH CARE FOR THE PURPOSE FOR WHICH IT IS INTENDED. Failure to do so may cause damage or personal injury and will invalidate the warranty. Retain THESE INSTRUCTIONS for future use.

To avoid personal injury or property damage during operation, read and follow all CAUTIONS, WARNINGS and INSTRUCTIONS, included with or attached to each product.

WE CANNOT BE RESPONSIBLE FOR DAMAGE OR INJURY RESULTING FROM UNSAFE USE OF PRODUCT, LACK OF MAINTENANCE OR INCORRECT PRODUCT AND SYSTEM APPLICATION.

Contact us when in doubt as to safety precautions or applications.

- 1) Locate the jack in a suitable working area.
- 2) Inspect the jack before each use. Do not use jack if damaged, altered, modified, in poor condition, leaking hydraulic fluid or unstable due to loose or missing hardware or parts. Make corrections before using.
- 3) Use jack on level and solid ground, preferably concrete. Avoid tar macadam as jack may sink in. Chock wheels of vehicle.
- 4) Ensure the vehicle's parking brake is engaged, engine is switched off and transmission is in gear (or "PARK" if automatic).
- 5) Ensure minimum distance of 2 feet between vehicle and static objects such as doors, walls, etc. to allow for vehicle tilting.
- 6) Ensure all non-essential persons keep a safe distance while the jack is in use.
- 7) Ensure there are no passengers in the vehicle.
- 8) Place jack under only those lifting points recommended by vehicle manufacturer (see vehicle's owner's manual).
- 9) Check that the lifting point is stable and centered on the jack saddle.
- 10) Ensure the jack wheels are free to move and that there are no obstructions.

Danger: Use the jack for lifting only!

- 11) Ensure there are no persons or obstructions beneath the vehicle before lowering.
- 12) Use a suitable pair of axle stands under the vehicle before proceeding with any task.
- 13) Use a qualified person to lubricate and maintain the jack.
- 14) Wear ANSI-approved safety goggles and heavy duty work gloves during use.
- 15) Ensure that only hydraulic jack oil is used in the jack.

DO NOT operate the jack if damaged.

DO NOT allow untrained persons to operate the jack.

DO NOT exceed the rated capacity of the jack.

DO NOT allow the vehicle to move during lifting or lowering, or use the jack to move the vehicle.

DO NOT jack vehicle if there is a risk of spillage of fuel, battery acid or other dangerous substances.

DO NOT work under the vehicle until appropriately rated axle stands have been correctly positioned.

DO NOT fill hydraulic system with brake fluid, alcohol or transmission oil. Use hydraulic jack oil only.

DO NOT adjust the safety overload valve.

DO NOT use for aircraft purposes.

16) When not in use store jack, fully lowered, in a safe, dry, childproof location.

17) The warnings, precautions and instructions discussed in this manual cannot cover all possible conditions and situations that may occur.

Important Receiving Instructions

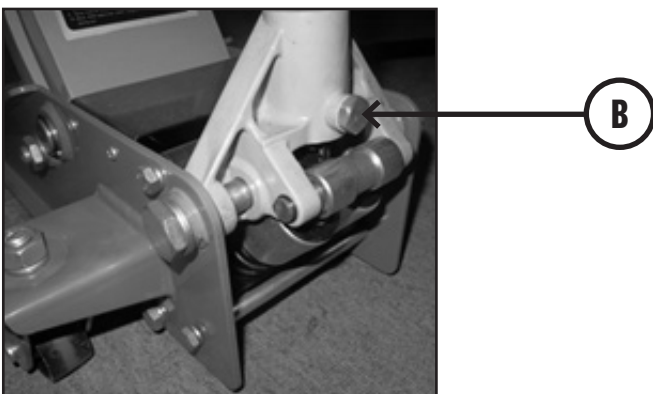
Visually inspect all components for shipping damage. If any shipping damage is found, notify carrier at once. Shipping damage is NOT covered by warranty. The carrier is responsible for all repair and/or replacement cost resulting from damage in shipment.

Check the parts in the carton. Visually inspect all components for any missing parts or damage. Refer to the below packing list.

No.	Description	Qty.
1	Handle	1
2	Jack Body	1
3	Instruction Manual	1

Assembly

1. The jack comprises the following parts: Jack body & Handle.
2. The handle socket is pressed down and supported by nylon supporting block in the package during transportation. Before assembling, please take out the nylon supporting block.
3. Undo the screw (B) in the handle socket, until it no longer protrudes into the handle socket.
4. Insert the pump handle into the handle socket hole completely.
5. Ensure that the handle is correctly inserted into the socket, then tighten the handle socket screw (B). Please make sure that the handle can be turned smoothly.



To purge hydraulic system:

1. Open the release valve by turning it two full turns counter-clockwise.
2. Quickly pump the handle a minimum of four full strokes.
3. Close the release valve by turning it clockwise.
4. Pumping the handle with full strokes to check if it can reach the maximum height by ten pumps.

If it can't reach the maximum height by ten pumps, please refer to the following special purging process:

5. Open the release valve by turning counter-clockwise and lower the lifting arm to the minimum height.
6. Put the jack on a flat working table, lift the front part of the jack to make sure the front part is at least 20" higher than the end part of the jack. **See the following picture.**
7. Quickly pump the handle a minimum of four full strokes.
8. Put the jack on a flat surface and close the release valve by turning it clockwise.
9. Pumping the handle with full strokes to check if it can reach the maximum height by ten pumps, if not please repeat the special purging process again.



Lifting a Vehicle

1. Ensure that the jack and the vehicle are on a hard, level surface.
2. Always ensure that the vehicle's parking brake is engaged and that the vehicle's wheels are chocked.
3. Consult the vehicle's owner's manual to determine the location of jacking points. Position the jack under a suitable lifting point.
4. Turn the handle clockwise, to close release valve. **DO NOT** over-tighten.
5. Lift the vehicle to the desired height by pumping the handle up and down.
6. Place axle stands beneath the locations recommended by the vehicle manufacturer.
7. Turn the release valve slowly counter-clockwise to lower the vehicle on to the axle stands.

Lowering a Vehicle

1. Turn the release valve clockwise to close it.
2. Pump the handle to lift the vehicle off the axle stands.
3. Remove the axle stands from beneath the vehicle.
4. Turn the release valve slowly counter-clockwise to lower the vehicle to the ground.

NOTE: When the jack not in use, ALWAYS leave the saddle and ram fully retracted.

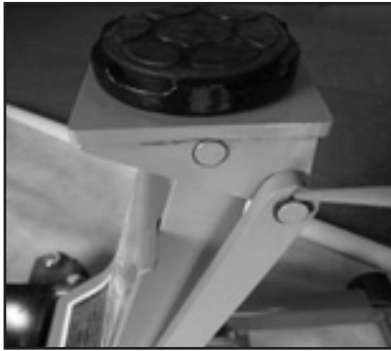
CAUTION: Keep hands and feet away from the hinge mechanism of the jack.

IMPORTANT: Only fully qualified personnel should attempt maintenance or repair.

Monthly Maintenance

Lubrication is critical to jacks, since they support heavy loads. Any restriction due to dirt or rust can cause either slow jack movement or extremely rapid jerks, causing damage to the internal components. To keep the jack well lubricated, carry out the following steps.

1. Lubricate the linkages, the saddle and pump mechanism with light oil

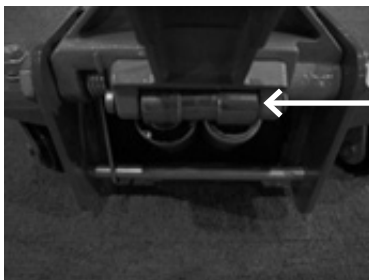


Linkage (1)

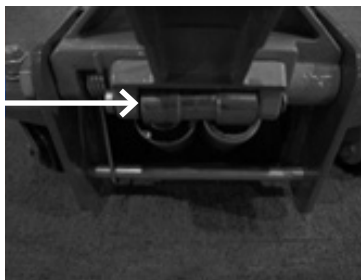


Linkage (2)

2. Grease the wheel bearing and axles.



Roller pin (Right)



Roller pin (Left)



Lifting arm

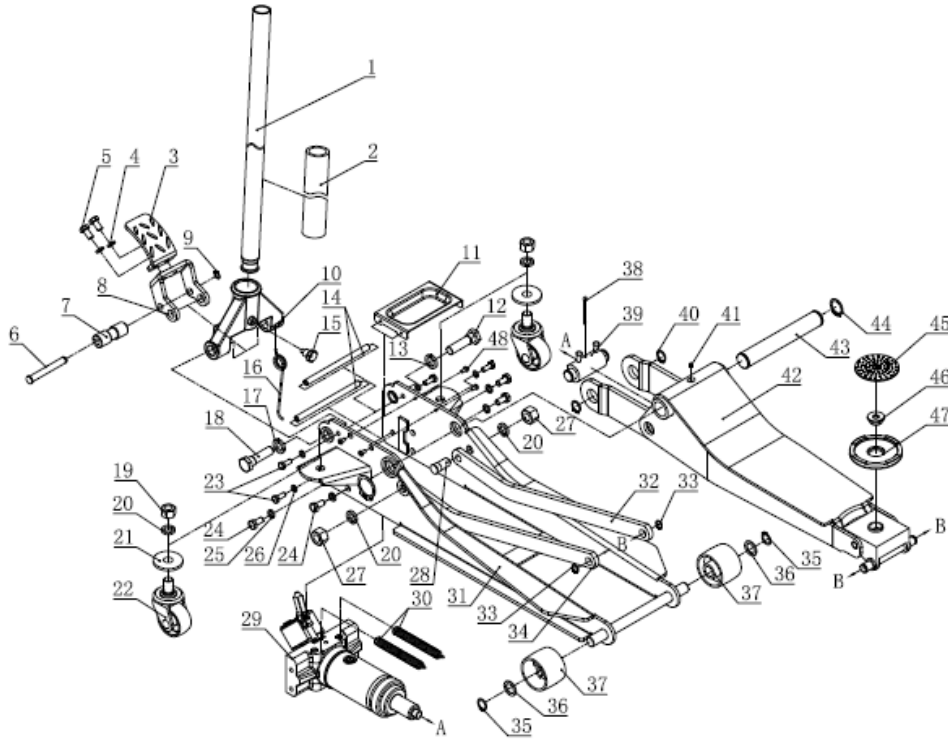
3. Keep all jack surfaces and warning labels clean.

Three-Month Maintenance

At three-month intervals, check the pump for any signs of rust or corrosion. Clean the pump as required and wipe with an oil cloth.

<u>PROBLEM</u>	<u>CAUSE</u>	<u>REMEDY</u>
Jack will not lift to full height	<ol style="list-style-type: none"> 1. Oil level low 2. Release valve not closing 	<ol style="list-style-type: none"> 1. Check / add oil 2. Close the release valve
Jack will not hold the load	<ol style="list-style-type: none"> 1. Release valve not closing 2. Hydraulic oil contaminated 3. Pump leaking 	<ol style="list-style-type: none"> 1. Close the release valve 2 & 3. Contact authorized service agent
Lift arm will not lower	<ol style="list-style-type: none"> 1. Pump cylinder binding 2. Parts worn 3. Internal component damage 4. Return spring broken or unhooked 5. Lift arm linkage either bent or binding 6. Still have air in the hydraulic system 	Contact authorized service agent
After hydraulic purging, the jack still can reach the maximum by 10 pumps		Open the release valve by turning counter-clockwise and lower the lifting arm to the minimum height.
Poor lift performance	<ol style="list-style-type: none"> 1. Fluid level low 2. Hydraulic unit malfunction 	<ol style="list-style-type: none"> 1. Ensure proper fluid level 2. Discontinue use, contact authorized service agent

EXPLODED VIEW & PARTS LIST



NO.	DESCRIPTION	QUANTITY
1	HANDLE ASSY	1
2	HANDLE SLEEVE	1
3	PEDAL	1
4	LOCK WASHER	2
5	HEX BOLT	2
6	PIN	1
7	PUMP CORE WHEEL	1
8	PEDAL BASE	1
9	RETAINING RING	1
10	HANDLE BASE	1
11	TOOLS PLATE	1
12	BOLT	1
13	LOCK WASHER	1
14	LIMITING ROD	2
15	SCREW	1
16	SPRING	1
17	LOCK WASHER	1
18	BOLT	1
19	HEX NUT	2
20	LOCK WASHER	4
21	WASHER	2
22	CASTOR	2
23	BOLT	4
24	BOLT	4

NO.	DESCRIPTION	QUANTITY
25	LOCK WASHER	4
26	LOCK WASHER	4
27	NUT	2
28	ADJUST SCREW	2
29	PUMP ASSY	1
30	SPRING	2
31	FRAME ASSY	1
32	LEFT ADJUSTABLE PLATE	1
33	RETAINING RING	2
34	RIGHT ADJUSTABLE PLATE	1
35	RETAINING RING	2
36	WASHER	2
37	FIXED WHEEL	2
38	PIN	1
39	ROD ASSY	1
40	RETAINING RING	2
41	OIL CUP	3
42	LIFTING STRUCTURE	1
43	LIFTING SHAFT	1
44	RETAINING RING	2
45	RUBBER PAD	1
46	SCREW	1
47	SADDLE	1
48	SCREW	4

ONE YEAR LIMITED WARRANTY

For a period of one (1) year from your purchase date, distributor will repair or replace (at its option), without charge, your product if it was purchased new and the product has failed due to a defect in material or workmanship which you experienced during normal use of the product. This limited warranty is your exclusive remedy.

To access the benefits of this warranty, contact your distributor for confirmation that this warranty applies. Thereafter, you may be advised to return the product under warranty, freight prepaid, to the distributor service department.

If this product is altered, abused, misused, modified or undergoes service by an unauthorized technician, your warranty will be void. We are not responsible for damage to ornamental designs you place on this product and such ornamentation should not cover any warnings or instructions or it may void the warranty. This warranty does not cover scratches, superficial dents and other abrasions to the paint finish that occur under normal use.

Subject to the law in your state:

- (1) Your sole and exclusive remedy is repair or replacement of the defective product as described above.
- (2) Distributor is not liable for any incidental damages, including but not limited to, lost profits and unforeseeable consequences.
- (3) The repair and replacement of this product under the express limited warranty described above is your exclusive remedy and is provided in lieu of all other warranties, express or implied. All other warranties, including implied warranties and warranties of merchantability or fitness for a particular purpose are disclaimed and, if disclaimer is prohibited, these warranties are limited to one year from your date of purchase of this product. Some states' laws do not allow limited durations on certain implied warranties and some states' laws do not allow limitations on incidental or consequential damages. You should consult the law in your state to determine how your rights may vary.