

OPERATING MANUAL

**ASCOT SUPPLY
22-TON
AIR/HYDRAULIC
TRUCK JACK**



302-19150
AS1915

MAKE SURE TO READ AND FULLY UNDERSTAND THE INSTRUCTION MANUAL BEFORE USING THIS PRODUCT



⚠ WARNING: For more information go to www.P65Warnings.ca.gov.

General Description & Safety	1
Warnings	2
Operating Instructions	3
Maintenance	4
Exploded View & Parts List	5
Warranty Information.....	7

Product Description

22-Ton Air/Hydraulic Truck Jack is designed for use with a lifting range of 10.5” to 21.125” and features a large air motor for an exceptional and quick lifting experience. Its narrow chassis fits between tandem truck wheels and the large 8” diameter hard rubber wheels allow for easy positioning even in extreme conditions. Additionally, it comes with three adapters that cater to a variety of working requirements.

Specifications

Capacity	22-Ton
Minimum Height	10 1/2”
Maximum Height	21 1/8”
Hydraulic Lift Range	6 1/8”
Air Pressure	90-110 PSI
Air Inlet Fitting	1/4” NPT
Weight	102 lbs.

Safety Information

Important: Read these instructions carefully.

NOTE THE SAFE OPERATIONAL REQUIREMENTS, WARNINGS AND CAUTIONS. USE THIS JACK CORRECTLY AND WITH CARE FOR THE PURPOSE FOR WHICH IT IS INTENDED. Failure to do so may cause damage or personal injury and will invalidate the warranty. Retain THESE INSTRUCTIONS for future use.

To avoid personal injury or property damage during operation, read and follow all CAUTIONS, WARNINGS and INSTRUCTIONS, included with or attached to each product.

WE CANNOT BE RESPONSIBLE FOR DAMAGE OR INJURY RESULTING FROM UNSAFE USE OF PRODUCT, LACK OF MAINTENANCE OR INCORRECT PRODUCT AND SYSTEM APPLICATION.

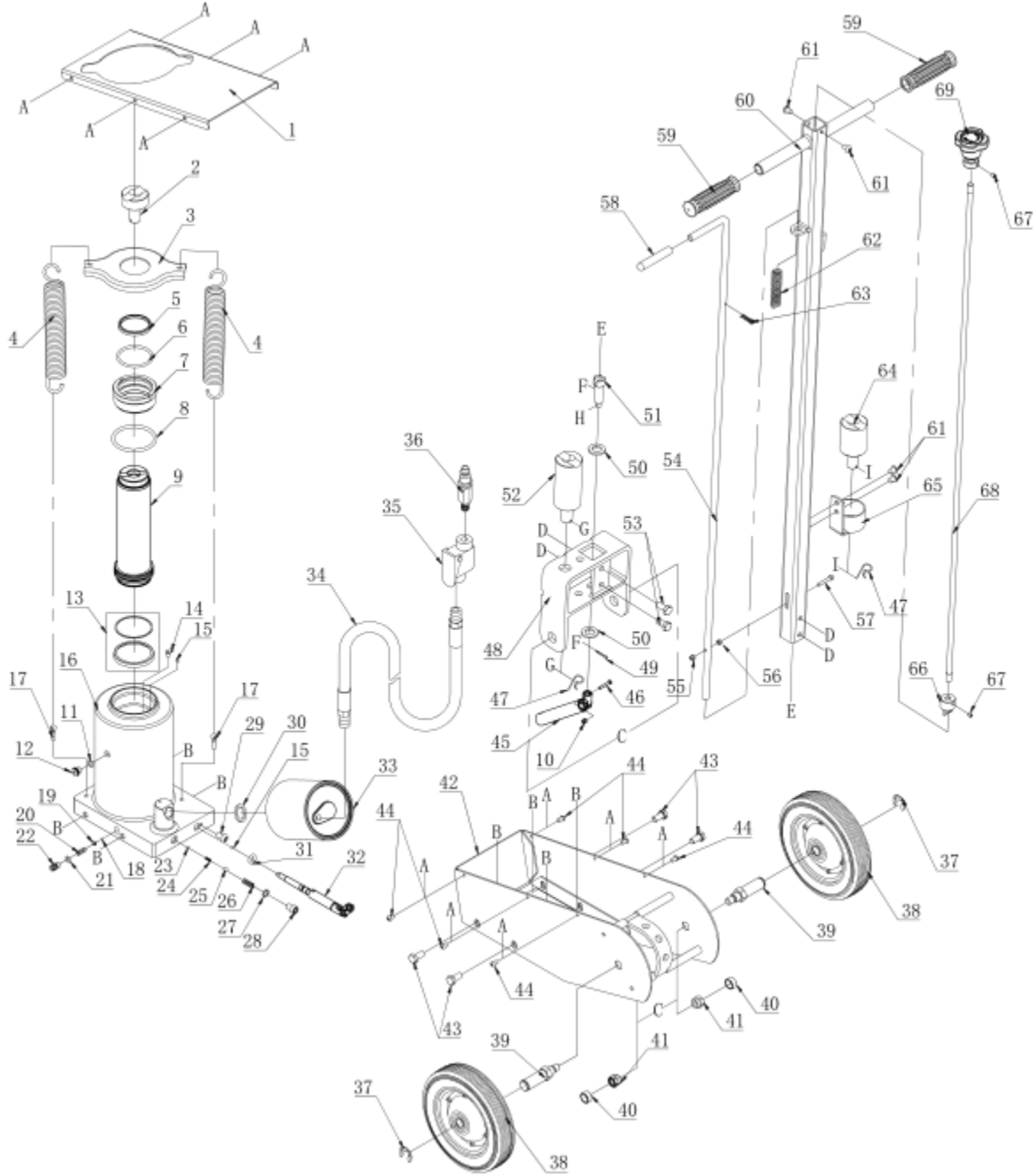
Contact us when in doubt as to safety precautions or applications.

1. Use a qualified person to maintain the jack in good condition. Keep it clean for best and safest performance.
2. The maximum load is 22-tons. **DO NOT** exceed this rated capacity.
3. Use this jack for lifting purpose only. **DO NOT** use it for any other purpose it is not designed to perform.
4. Keep children and unauthorized persons away from the work area.
5. Remove ill fitting clothing. Remove ties, watches, rings and other loose jewelry, and contain long hair.
6. Wear ANSI approved safety goggles when operating the jack.
7. Keep proper balance and footing, do not overreach and wear nonslip footwear.
8. Only use this jack on a surface that is stable, level, dry and not slippery, and capable of sustaining the load. Keep the surface clean, tidy and free from unrelated materials and ensure that there is adequate lighting.
9. When lifting a vehicle, apply the emergency brake and block all wheels.
10. Immediately after lifting, support the load with appropriate supporting equipments such as jack stands of adequate capacity! **DO NOT** work under a load which is supported only by a jack.
11. Before lowering load ensure that there are no obstructions underneath and that all persons are standing clear.
12. **DO NOT** attempt to move the load while on the jack. The jack must only be used in a static position for lifting and lowering loads. Ensure that the load remains stable at all times.
13. **DO NOT** use the jack if damaged, any suspect parts are noted or it has been subjected to a shock load.
14. **DO NOT** operate the jack when you are tired or under the influence of alcohol, drugs or any intoxicating medication.
15. **DO NOT** allow untrained persons to operate the jack.
16. **DO NOT** make any modifications to the jack.
17. **DO NOT** use brake fluid or any other improper fluid and avoid mixing different types of oil when adding hydraulic oil. Only a good quality hydraulic jack oil can be used.
18. **DO NOT** expose the jack to rain or any other kind of bad weather.
19. If the jack need repairing and/or there are any parts that need to be replaced, have it repaired by authorized technicians and only use the replacement parts supplied by the manufacturer.
20. **WARNING:** The warnings, cautions and instructions discussed in this instruction manual cannot cover all possible conditions and situations that may occur

1. Install the handle assembly according to the assembly drawing.
2. Close the release valve by turning the handwheel clockwise until it is firmly closed.
3. Apply the emergency brake and use wheel chocks to block all wheels to prevent any movement of the vehicle being lifted.
4. Adjust the handle angle to place the jack into position and adjust the extension screw as needed.
5. Connect the quick coupler-male into the shop air supply hose quick coupler-female, then turn on the air valve.
6. Raise the load to desired height, turn off the air valve and immediately **USE JACK STAND PAIR** with adequate capacity to support the load.
7. When work is done, disconnect the quick coupler-male from the air source and carefully remove the jack stands.
8. **SLOWLY and CAREFULLY** lower the load by turning the handwheel counter-clockwise in extremely small increments, then lower the extension screw by turning it clockwise as needed and remove the jack.

1. Clean the outside of the jack with dry, clean cloth and periodically lubricate the joints, extension screw and all moving parts with a light oil as needed.
2. When not in use, store the jack in a dry location with ram and extension screw fully lowered.
3. Purge the hydraulic system to eliminate any air in the system. If jack efficiency drops, turn the handwheel 1-1/2 turns counter-clockwise and remove the oil filler plug by gently pulling, connect the air inlet fitting to air source, turn on the air valve and work for a while, close the handwheel clockwise firmly and check the hydraulic oil level, if not adequate, top off jack reservoir with high quality hydraulic jack oil, then replace the filler plug.
4. Check the hydraulic oil. Place the jack in an upright position, completely lower the ram and remove the filler plug. If it is not adequate, fill with high quality hydraulic jack oil to the lower rim of the fill hole, purge away air from the hydraulic system, top off with more hydraulic oil, then replace the filler plug.

EXPLODED VIEW & PARTS LIST



EXPLODED VIEW & PARTS LIST (CONT.)



NO.	DESCRIPTION	QUANTITY
1	RACK COVER	1
2	SADDLE #1	1
3	SPRING SEAT	1
4	SPRING	2
5	DUST RING	1
6	O-RING	1
7	LIMIT RING	1
8	O-RING	1
9	PISTON ROD ASSY	1
10	NUT	1
11	O-RING	1
12	SCREW	1
13	U-RING	1
14	STEEL BALL BAFFLE	1
15	STEEL BALL	2
16	PUMP	1
17	BOLT	2
18	STEEL BALL	1
19	STEEL BALL SEAT	1
20	SPRING	1
21	O-RING	1
22	SCREW	1
23	STEEL BALL	1

NO.	DESCRIPTION	QUANTITY
24	SPRING	1
25	STEEL BALL	1
26	SPRING	1
27	WASHER	1
28	SCREW	1
29	SCREW	1
30	WASHER	1
31	O-RING	1
32	RELEASE VALVE	1
33	AIR PUMP	1
34	AIR HOSE	1
35	AIR VALVE	1
36	AIR HOSE CONNECTOR	1
37	RING	1
38	WHEEL	2
39	AXLE	2
40	BUSHING	2
41	NUT	2
42	RACK COMPONENTS	1
43	BOLT	4
44	SCREW	6
45	SLIDING SLEEVE ASSY	1
46	SCREW	1

NO.	DESCRIPTION	QUANTITY
47	R-PIN	2
48	HANDLE BASE	1
49	PIN	1
50	WASHER	2
51	CONNECTING SHAFT	1
52	SADDLE #3	1
53	BOLT	2
54	HANDLE	1
55	NUT	1
56	NUT	1
57	SCREW	1
58	HANDLE COVER	1
59	HANDLE COVER	2
60	CONTROL HANDLE	1
61	CREW	4
62	SPRING	1
63	R-PIN	1
64	SADDLE #2	1
65	HEAD FRAME ASSY	1
66	RELEASE CONNECTOR	1
67	SCREW	2
68	CONNECTING ROD	1
69	HANDLE WHEEL	1

ONE YEAR LIMITED WARRANTY

For a period of one (1) year from your purchase date, distributor will repair or replace (at its option), without charge, your product if it was purchased new and the product has failed due to a defect in material or workmanship which you experienced during normal use of the product. This limited warranty is your exclusive remedy.

To access the benefits of this warranty, contact your distributor for confirmation that this warranty applies. Thereafter, you may be advised to return the product under warranty, freight prepaid, to the distributor service department.

If this product is altered, abused, misused, modified or undergoes service by an unauthorized technician, your warranty will be void. We are not responsible for damage to ornamental designs you place on this product and such ornamentation should not cover any warnings or instructions or it may void the warranty. This warranty does not cover scratches, superficial dents and other abrasions to the paint finish that occur under normal use.

Subject to the law in your state:

- (1) Your sole and exclusive remedy is repair or replacement of the defective product as described above.
- (2) Distributor is not liable for any incidental damages, including but not limited to, lost profits and unforeseeable consequences.
- (3) The repair and replacement of this product under the express limited warranty described above is your exclusive remedy and is provided in lieu of all other warranties, express or implied. All other warranties, including implied warranties and warranties of merchantability or fitness for a particular purpose are disclaimed and, if disclaimer is prohibited, these warranties are limited to one year from your date of purchase of this product. Some states' laws do not allow limited durations on certain implied warranties and some states' laws do not allow limitations on incidental or consequential damages. You should consult the law in your state to determine how your rights may vary.