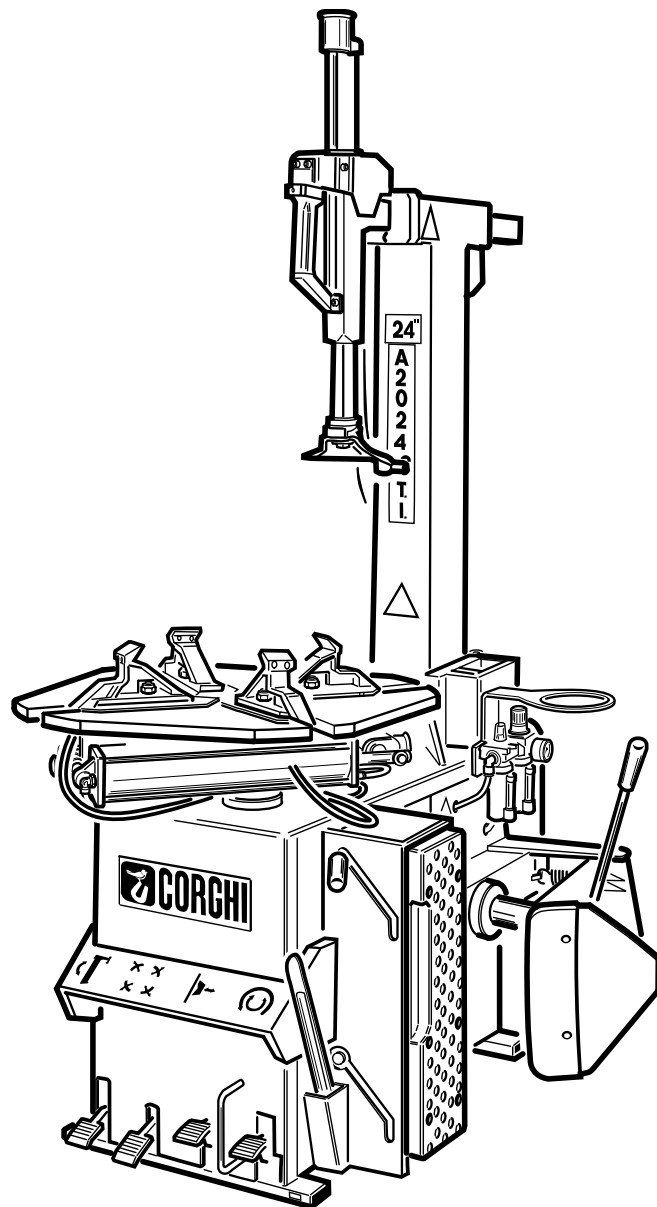


Questo libretto non autorizza l'utente ad intervenire sulle macchine ad esclusione di quanto esplicitamente descritto nel Manuale d'uso, ma consente all'utente di fornire informazioni precise all'Assistenza tecnica, al fine di ridurre i tempi di intervento.

A2024 T.I.

The "Spare parts" booklet does not authorize the user to carry out work on the machine unless expressly specified in the instruction manual, but does enable him to provide accurate information to the assistance service in order to reduce downtime.

PEZZI DI RICAMBIO SPARE PARTS LIST ERSATZTEILLISTE PIECES DE RECHANGE



Code

4-103961A

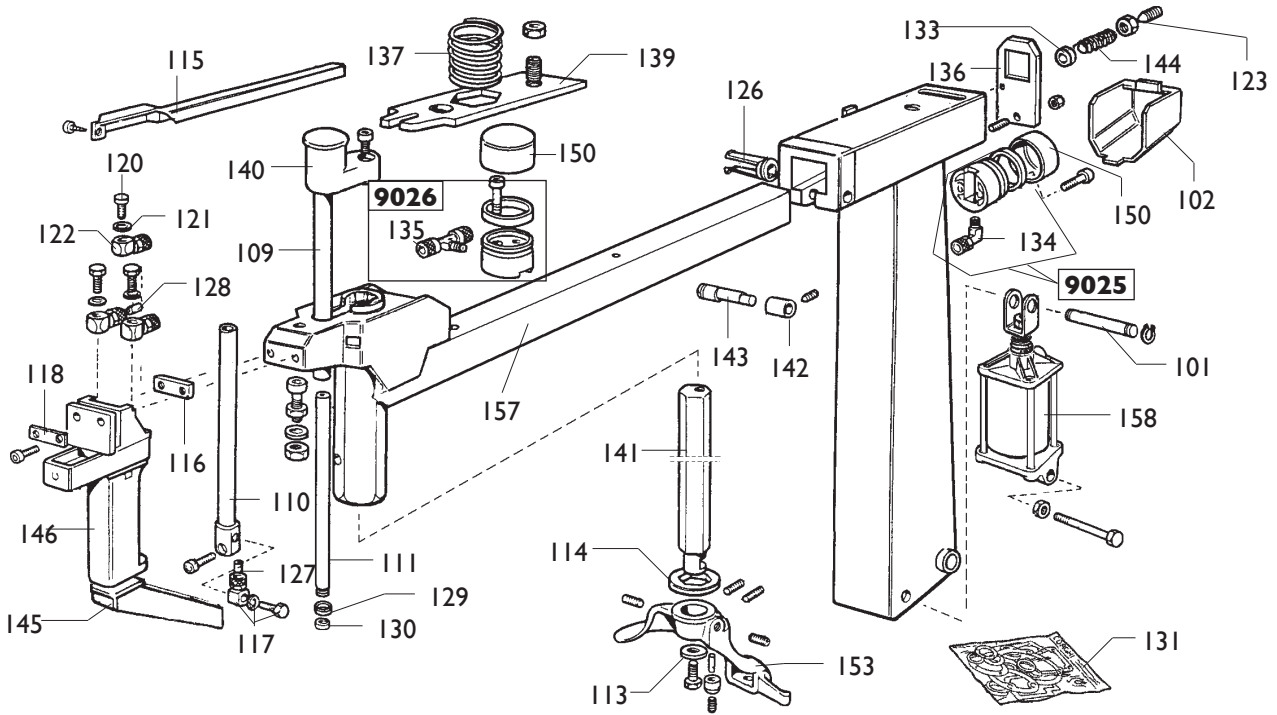
In produzione da
Production from
Herstellung ab
Production

05 / 2006

Der Katalog Ersatzteile stellt keine Genehmigung zu eigenmächtigen Eingriffen dar (mit Ausnahme jener im Handbuch beschriebenen), sondern er soll den Anwender in die Lage versetzen, dem technischen Service präzise Informationen zu liefern, um die Reparaturzeiten zu verkürzen.



Le livret "Pièces de rechange", n'autorise pas l'utilisateur à intervenir sur les machines, sauf pour tout ce qui est clairement décrit dans le manuel d'utilisation, mais lui permet de fournir des informations précises à l'assistance technique, afin de diminuer les délais d'intervention.

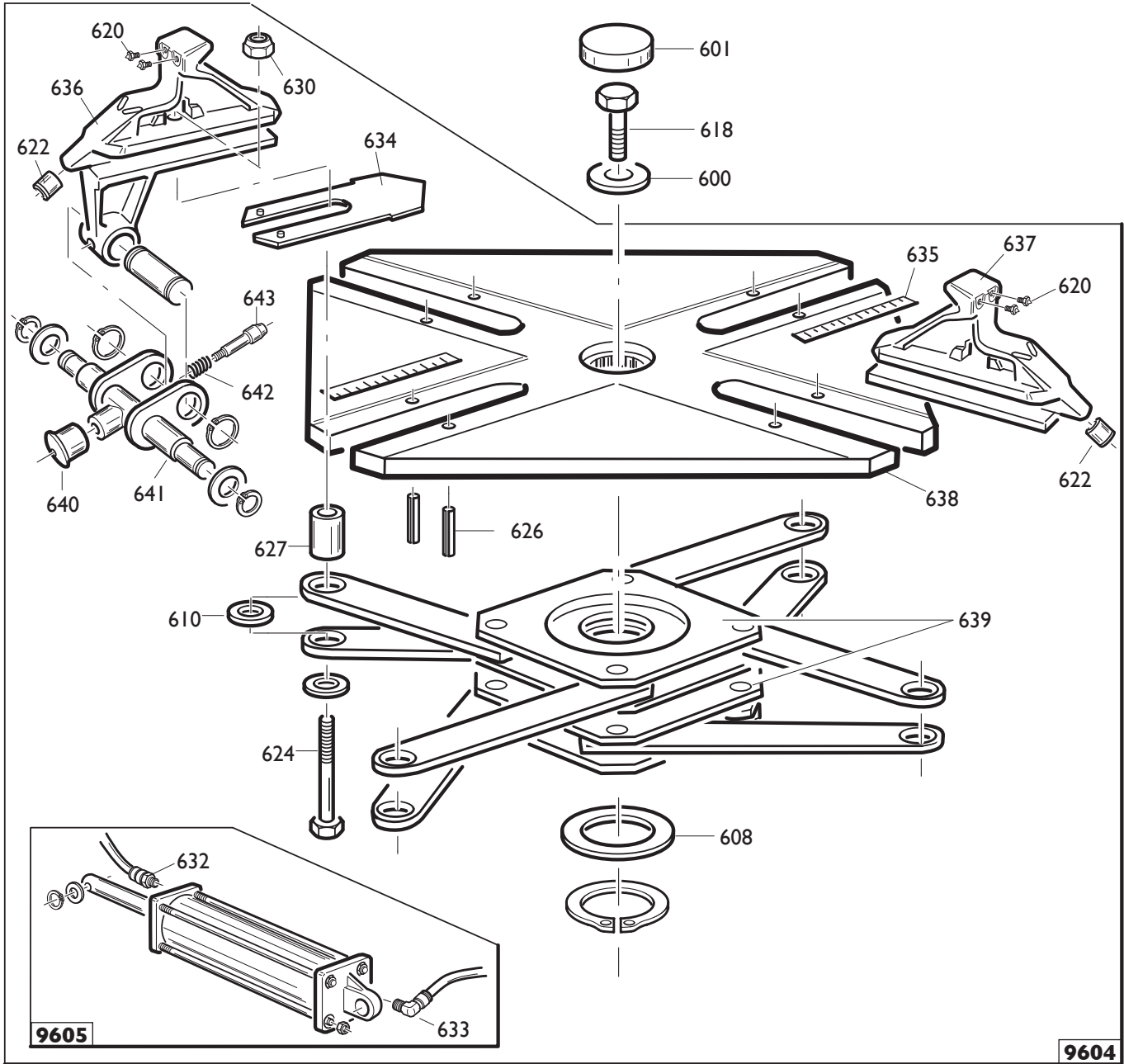


| | | | | | |
|------|-----------|-----------------|-----------|-----------------|------------|
| 0101 | 900326667 | PERNO | PIN | ZAPFEN | PIVOT |
| 0102 | 900426773 | PROTEZIONE | SHIELD | ABDECKUNG | PROTECTION |
| 0109 | 900338858 | TUBO | PIPE | ROHR | TUYAU |
| 0110 | 900238856 | SUPPORTO | SUPPORT | LAGER | SUPPORT |
| 0111 | 900338855 | STELO | STEM | SCHAFT | TIGE |
| 0113 | 900350194 | RONDELLA | WASHER | UNTERLEGSCHIEBE | RONDELLE |
| 0114 | 900428681 | ANELLO | RING | RING | ANNEAU |
| 0115 | 900426763 | GUIDA | GUIDE | FUEHRUNG | GLISSIERE |
| 0116 | 900327284 | PIASTRINA | PLATE | PLAETTCHEN | PLAQUETTE |
| 0117 | 900427290 | RACCORDO | CONNECTOR | ANSCHLUSS | RACCORD |
| 0118 | 900327283 | PIASTRINA | PLATE | PLAETTCHEN | PLAQUETTE |
| 0120 | 900428719 | VITE | SCREW | SCHRAUBE | VIS |
| 0121 | 900428720 | RONDELLA | WASHER | UNTERLEGSCHIEBE | RONDELLE |
| 0122 | 900428718 | ANELLO | RING | RING | ANNEAU |
| 0123 | 900341836 | ASTA | SHAFT | STANGE | BARRE |
| 0126 | 900431061 | BOCCOLA | BUSHING | LAGER | DOUILLE |
| 0127 | 900327753 | STROZZATORE | THROTTLER | DROSSELKLAPPE | ETRANGLEUR |
| 0128 | 900331783 | STROZZATORE | THROTTLER | DROSSELKLAPPE | ETRANGLEUR |
| 0129 | 900427299 | GUARNIZIONE | SEAL | DICHTUNG | JOINT |
| 0130 | 900432090 | ANELLO | RING | RING | ANNEAU |
| 0131 | 900241484 | KIT GUARNIZIONI | SEALS KIT | DICHTUNGSATZ | KIT JOINTS |
| 0133 | 900339803 | BOCCOLA | BUSHING | LAGER | DOUILLE |

| | | | | | |
|-------------|------------------|----------------|---------------|---------------|---------------|
| 9025 | 900239805 | PISTONE | PISTON | KOLBEN | PISTON |
| 0134 | 900414842 | RACCORDO | CONNECTOR | ANSCHLUSS | RACCORD |

| | | | | | |
|-------------|------------------|----------------|---------------|---------------|---------------|
| 9026 | 900239806 | PISTONE | PISTON | KOLBEN | PISTON |
| 0135 | 900414859 | RACCORDO | CONNECTOR | ANSCHLUSS | RACCORD |

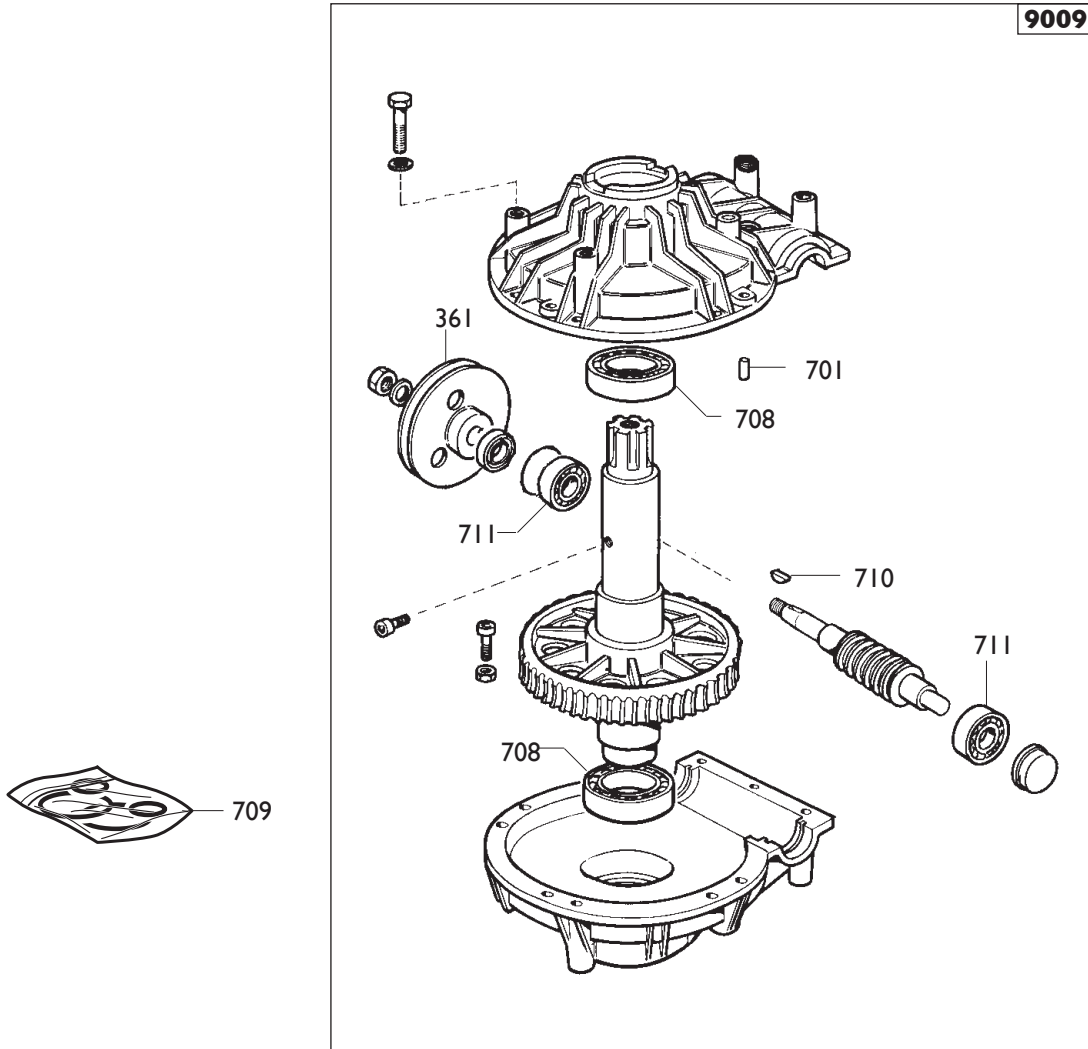
| | | | | | |
|------|-------------|-----------|----------------|---------------|----------|
| 0136 | 900336142 | PIASTRA | SLAB | PLATTE | PLAQUE |
| 0137 | 900440342 | MOLLA | SPRING | FEDER | RESSORT |
| 0139 | 900340429 | PIASTRA | SLAB | PLATTE | PLAQUE |
| 0140 | 900440428 | POMOLO | KNOB | BALLENGRIFF | POMMEAU |
| 0141 | 900340430 | BRACCIO | ARM | ARM | BRAS |
| 0142 | 900339782 | RULLO | ROLLER | WALZE | ROULEAU |
| 0143 | 900339786 | PERNO | PIN | ZAPFEN | PIVOT |
| 0144 | 900439787 | MOLLA | SPRING | FEDER | RESSORT |
| 0145 | 900440692 | PROLUNGA | EXTENSION CORD | VERLAENGERUNG | RALLONGE |
| 0146 | 900231744 | RUBINETTO | COCK | HAHN | ROBINET |
| 0150 | 900326537 | CILINDRO | CYLINDER | ZYLINDER | CYLINDRE |
| 0153 | 900258458 | TORRETTA | HEAD | DREHKOPF | TOURELLE |
| 0157 | 9004-101588 | BRACCIO | ARM | ARM | BRAS |
| 0158 | 9004-100825 | CILINDRO | CYLINDER | ZYLINDER | CYLINDRE |



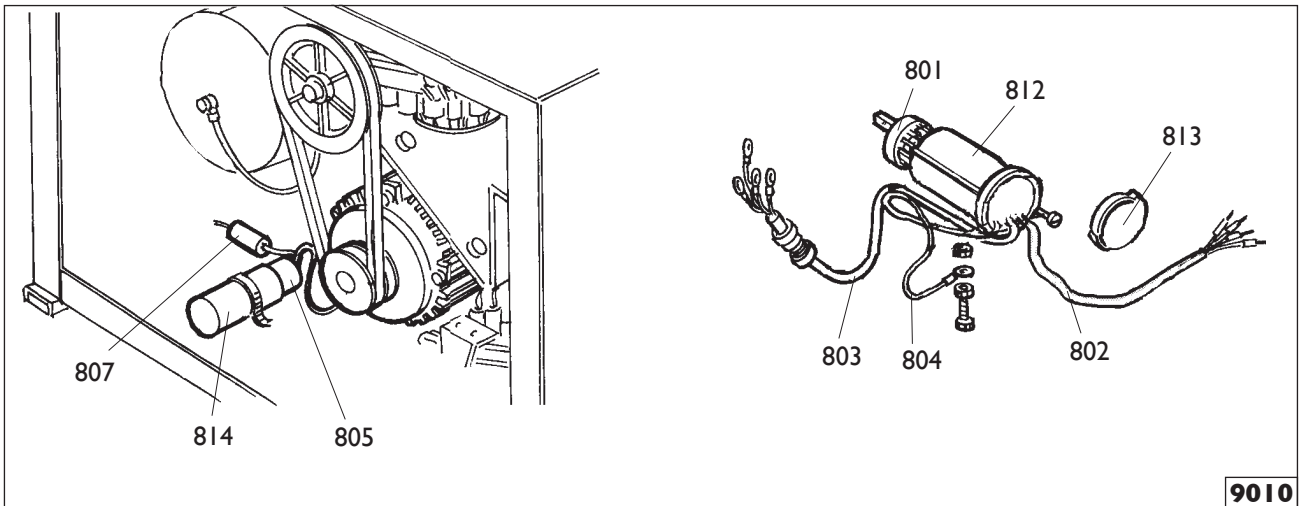
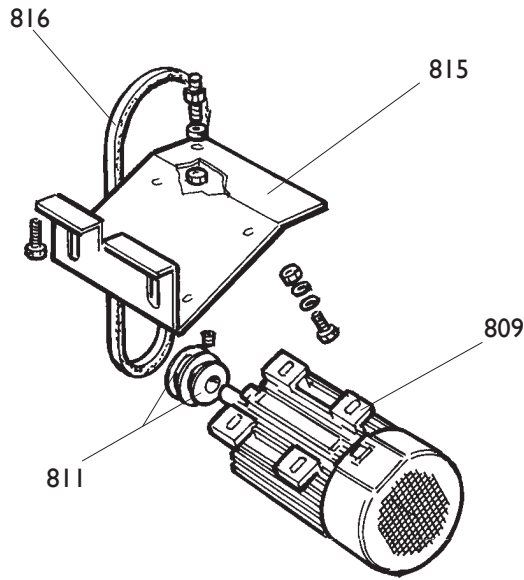
| | | | | | |
|------|-----------|-----------------|-----------|-----------------|------------|
| 0600 | 900323363 | RONDELLA | WASHER | UNTERLEGSCHIEBE | RONDELLE |
| 0601 | 900426514 | TAPPO | PLUG | STOPFEN | BOUCHON |
| 0613 | 900238548 | KIT GUARNIZIONI | SEALS KIT | DICHTUNGSATZ | KIT JOINTS |
| 0618 | 900601216 | VITE | SCREW | SCHRAUBE | VIS |

| 9604 | 9005-100507 | AUTOCENTRANTE T.I. | TURNTABLE T.I. | SPANNFUTTER T.I. | PLAT. AUTOC. T.I. |
|-------------|--------------------|---------------------------|-----------------------|-------------------------|--------------------------|
| 0608 | 900455082 | RONDELLA | WASHER | UNTERLEGSCHIEBE | RONDELLE |
| 0610 | 900437964 | RONDELLA | WASHER | UNTERLEGSCHIEBE | RONDELLE |
| 0620 | 900339146 | PUNTE DI BLOCC. | LOCKING PEAK | FESTKLEMMENSPIITZE | POINTE DE BLOCAGE |
| 0622 | 900441100 | RACCORDO | CONNECTOR | ANSCHLUSS | RACCORD |
| 0624 | 900602199 | VITE | SCREW | SCHRAUBE | VIS |
| 0626 | 900601059 | SPINA | PLUG | STECKER | FICHE |
| 0627 | 900353803 | BOCCOLA | BUSHING | LAGER | DOUILLE |
| 0630 | 900601276 | DADO | NUT | MUTTER | ECROU |
| 0634 | 9004-101441 | COPRIASOLA | COVER | LOCHSTOPFEN | BOUCHON |
| 0635 | 9004-101456 | TARGHETTA | DATA PLATE | TYPENSHIELD | PLAQUETTE |
| 0636 | 9005-100460 | APPOGGIO T.I. | RIM SUPPORT T.I. | STUETZE T.I. | APPUI T.I. |
| 0637 | 9005-100459 | APPOGGIO T.I. | RIM SUPPORT T.I. | STUETZE T.I. | APPUI T.I. |
| 0638 | 9004-101438 | PIATTO | PLATE | TELLER | PLAT |
| 0639 | 9004-101434 | FLANGIA | FLANGE | FLANSCH | FLASQUE |
| 0640 | 9004-101422 | MOLLA | SPRING | FEDER | RESSORT |
| 0641 | 9004-101444 | INNESTO | PIN | ZAPFEN | PIVOT |
| 0642 | 9004-101443 | POMOLO | KNOB | BALLENGRIFF | POMMEAU |
| 0643 | 9004-101447 | MANOVELLA | CRANK | KURBEL | MANIVELLE |

| | | | | | |
|-------------|--------------------|--------------------------|-----------------------|-----------------|-----------------|
| 9605 | 9005-100455 | CILINDRO DESTRO | CYLINDER RIGHT | ZYLINDER | CYLINDRE |
| 9605 | 9005-100454 | CILINDRO SINISTRO | CYLINDER LEFT | ZYLINDER | CYLINDRE |
| 0632 | 900441568 | RACCORDO | CONNECTOR | ANSCHLUSS | RACCORD |
| 0633 | 900443367 | RACCORDO | CONNECTOR | ANSCHLUSS | RACCORD |



| | | | | | |
|-------------|------------------|-------------------------|---------------------|-----------------|------------------|
| 9009 | 900233704 | RIDUTTORE | GEAR BOX | GETRIEBE | REDUCTEUR |
| 9009 | 900239555 | RIDUTTORE pneum. | GEAR BOX air | GETRIEBE | REDUCTEUR |
| 9009 | 900246020 | RIDUTTORE DV | GEAR BOX | GETRIEBE | REDUCTEUR |
| 0361 | 900319073 | PULEGGIA | PULLEY | RIEMENSCHLEIBE | POULIE |
| 0361 | 900414344 | PULEGGIA (pneum.) | PULLEY (air) | RIEMENSCHLEIBE | POULIE |
| 0701 | 900601280 | SPINA ELASTICA | PIN | SPANNSTIFT | CHEVILLE |
| 0708 | 900601703 | CUSCINETTO | BEARING | LAGER | ROULEMENT |
| 0710 | 900601950 | LINGUETTA | TANG | FEDERKEIL | LANGUETTE |
| 0711 | 9002-03131 | CUSCINETTO | BEARING | LAGER | ROULEMENT |
| 0709 | 900238204 | KIT GUARNIZIONI | SEALS KIT | DICHTUNGSATZ | KIT JOINTS |

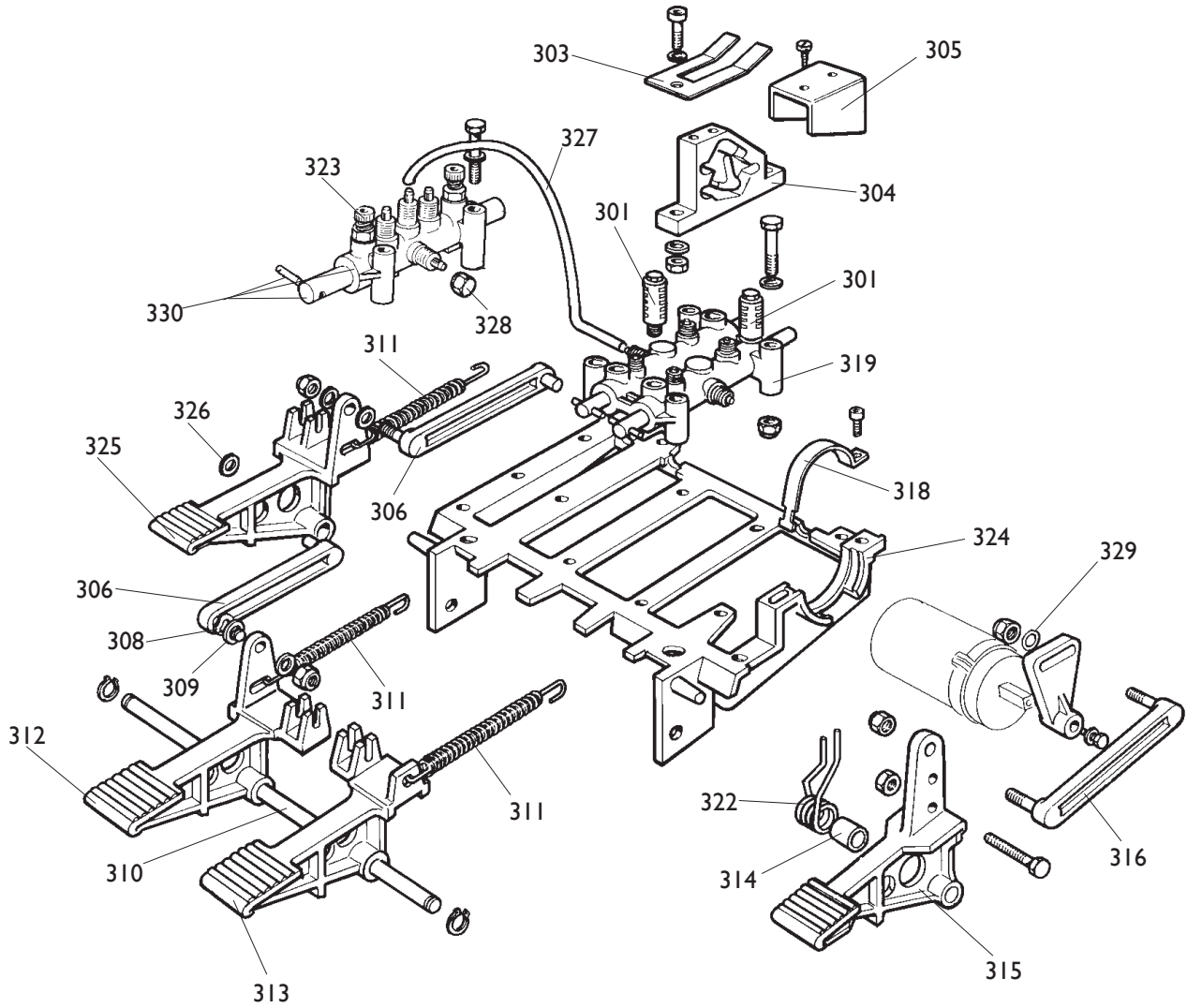


9010

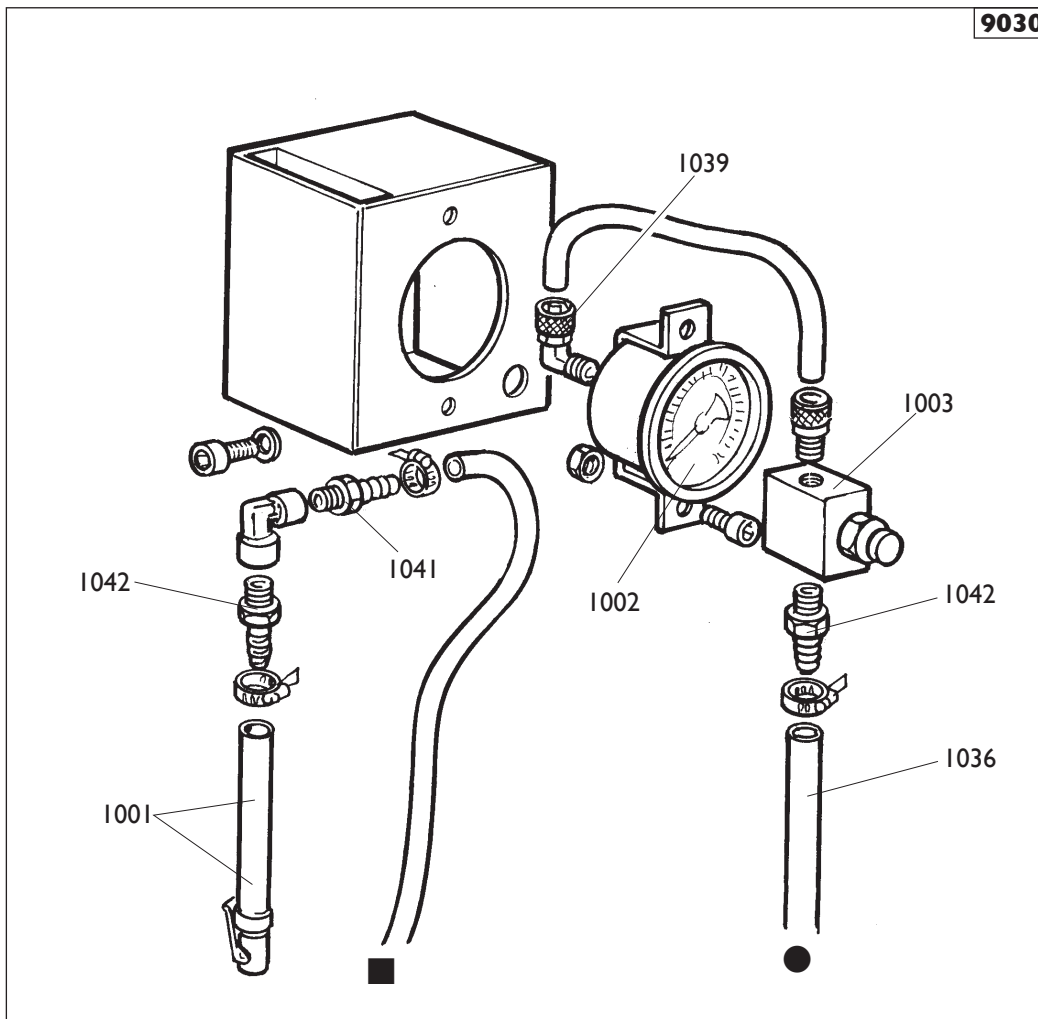
| | | IMP. ELETTRICO | ELECTRIC SYSTEM | ELEKTRIS. ANLAGE | INS. ELECTRIQUE |
|-------------|------------------|-----------------------|------------------------|-------------------------|------------------------|
| 9010 | 900249882 | 110V Iph | 110V Iph | 110V Iph | 110V Iph |
| 0801 | 900435363 | INVERTITORE | REVERSER | RICHTUNGSWENDER | INVERSEUR |
| 0802 | 900230709 | CAVO | CABLE | KABEL | CABLE |
| 0803 | 900225419 | CAVO | CABLE | KABEL | CABLE |
| 0804 | 900225051 | CAVALLOTTO | U-BOLT | BUEGELBOLZEN | CRAMPILLON |
| 0805 | 900430750 | CAPPELOTTO | CAP NUT | ABSCHLUSSKAPPE | CAPUCHON |
| 0807 | 900430770 | RESISTENZA | RESISTANCE | WIDERSTAND | RESISTANCE |
| 0814 | 900449751 | CONDENSATORE | CAPACITOR | KONDENSATOR | CONDENSATEUR |

| | C.S.A. | IMP. ELETTRICO | ELECTRIC SYSTEM | ELEKTRIS. ANLAGE | INS. ELECTRIQUE |
|-------------|--------------------|-----------------------|------------------------|-------------------------|------------------------|
| 9010 | 9005-101068 | 110V Iph | 110V Iph | 110V Iph | 110V Iph |
| 0801 | 900435363 | INVERTITORE | REVERSER | RICHTUNGSWENDER | INVERSEUR |
| 0802 | 900247801 | CAVO | CABLE | KABEL | CABLE |
| 0803 | 900249590 | CAVO | CABLE | KABEL | CABLE |
| 0804 | 900225051 | CAVALLOTTO | U-BOLT | BUEGELBOLZEN | CRAMPILLON |
| 0805 | 900430750 | CAPPELOTTO | CAP NUT | ABSCHLUSSKAPPE | CAPUCHON |
| 0807 | 900430770 | RESISTENZA | RESISTANCE | WIDERSTAND | RESISTANCE |
| 0814 | 900449751 | CONDENSATORE | CAPACITOR | KONDENSATOR | CONDENSATEUR |

| | | MOTORE | MOTOR | MOTOR | MOTEUR |
|------|-----------|---------------|--------------|----------------|---------------|
| 0809 | 900451842 | 110V 60Hz | 110V 60Hz | 110V 60Hz | 110V 60Hz |
| 0811 | 900331067 | PULEGGIA | PULLEY | RIEMENSCHLEIBE | POULIE |
| 0812 | 900432065 | PROTEZIONE | SHIELD | ABDECKUNG | PROTECTION |
| 0813 | 900430991 | COPERCHIO | LID | DECKEL | COUVERCLE |
| 0815 | 900334768 | CULLA | CRADLE | WIEGE | BERCEAU |
| 0816 | 900432009 | CINGHIA | BELT | RIEMEN | COURROIE |

9018

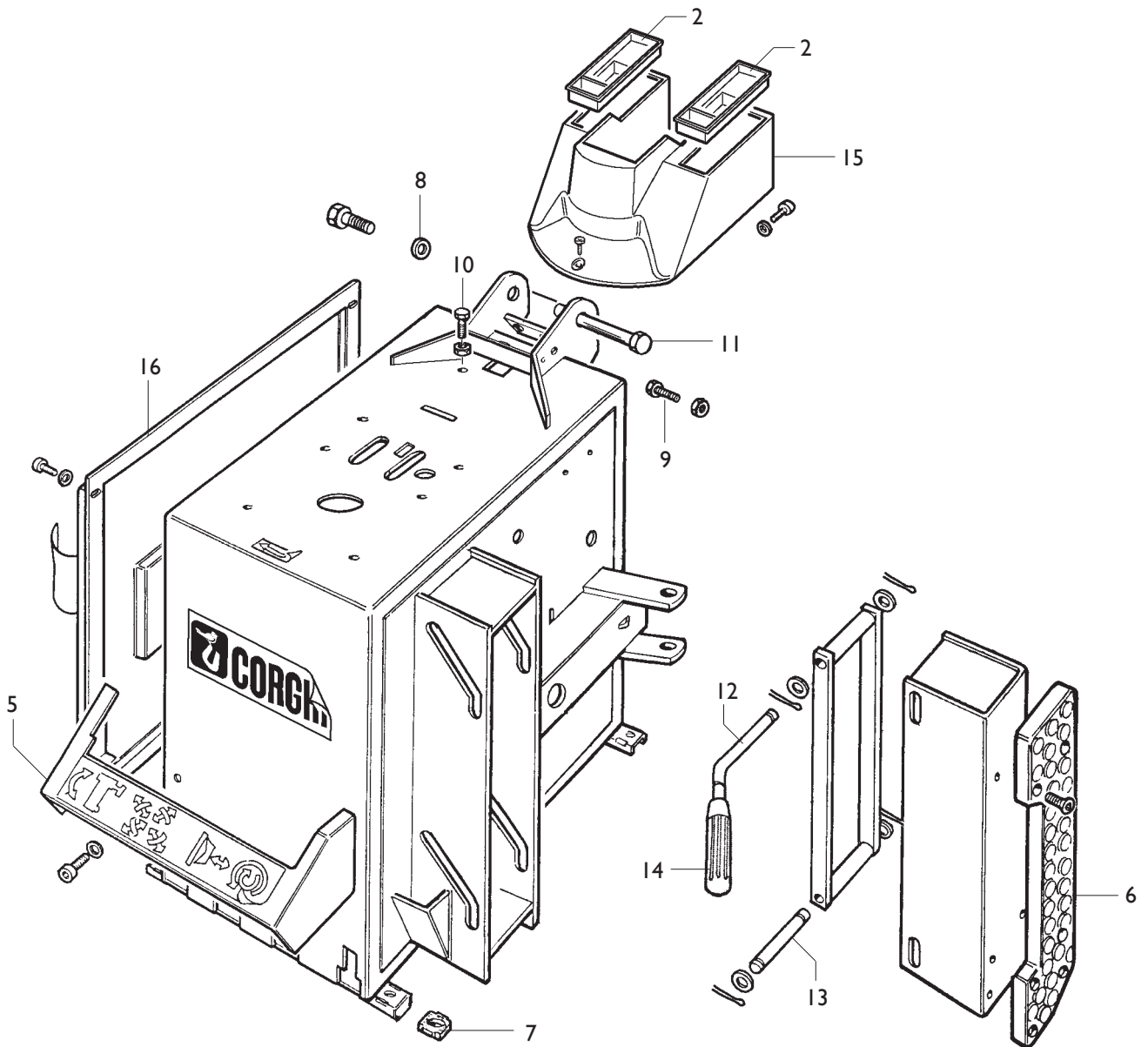
| 9018 | 900233678 | PEDALIERA | CONTROL PEDAL | PEDALERIE | GR.PEDALES |
|-------------|------------------|------------------|----------------------|------------------|-------------------|
| 0301 | 900422682 | SILENZIATORE | SILENCER | SCHALLDAEMPFER | SILENCIEUX |
| 0303 | 900325019 | BALESTRA | LEAF SPRING | BLATTFEDER | RESSORT A LAMES |
| 0304 | 900425020 | CAMMA | CAM | NOCKEN | CAME |
| 0305 | 900325018 | CAVALLOTTO | U-BOLT | BUEGELBOLZEN | CRAMPILLON |
| 0306 | 900425014 | BIELLA | TRACE | PLEUELSTANGE | BIELLE |
| 0308 | 900419888 | RONDELLA | WASHER | UNTERLEGSCHIEBE | RONDELLE |
| 0309 | 900309358 | RONDELLA | WASHER | UNTERLEGSCHIEBE | RONDELLE |
| 0310 | 900325005 | PERNO | PIN | ZAPFEN | PIVOT |
| 0311 | 900410628 | MOLLA | SPRING | FEDER | RESSORT |
| 0312 | 900325031 | PEDALE | PEDAL | PEDAL | PEDALE |
| 0313 | 900325032 | PEDALE | PEDAL | PEDAL | PEDALE |
| 0314 | 900325050 | DISTANZIALE | SPACER | ABSTANDSSTUECK | ENTRETOISE |
| 0315 | 900252010 | PEDALE | PEDAL | PEDAL | PEDALE |
| 0316 | 900425010 | BIELLA | TRACE | PLEUELSTANGE | BIELLE |
| 0317 | 900425027 | LEVA | LEVER | HEBEL | LEVIER |
| 0318 | 900332495 | CAVALLOTTO | U-BOLT | BUEGELBOLZEN | CRAMPILLON |
| 0319 | 900253298 | RUBINETTO | COCK | HAHN | ROBINET |
| 0321 | 900316199 | GHIERA | NUT | NUTMUTTER | BAGUE |
| 0322 | 900428682 | MOLLA | SPRING | FEDER | RESSORT |
| 0323 | 900433675 | REGOLATORE | REGULATOR | REGLER | REGULATEUR |
| 0324 | 900324273 | SUPPORTO | SUPPORT | LAGER | SUPPORT |
| 0325 | 900325030 | PEDALE | PEDAL | PEDAL | PEDALE |
| 0326 | 900452011 | BOCCOLA | BUSHING | LAGER | DOUILLE |
| 0327 | 900317610 | TUBO | PIPE | ROHR | TUYAU |
| 0328 | 900383173 | TAPPO | PLUG | STOPFEN | BOUCHON |
| 0330 | 900257137 | RUBINETTO | COCK | HAHN | ROBINET |



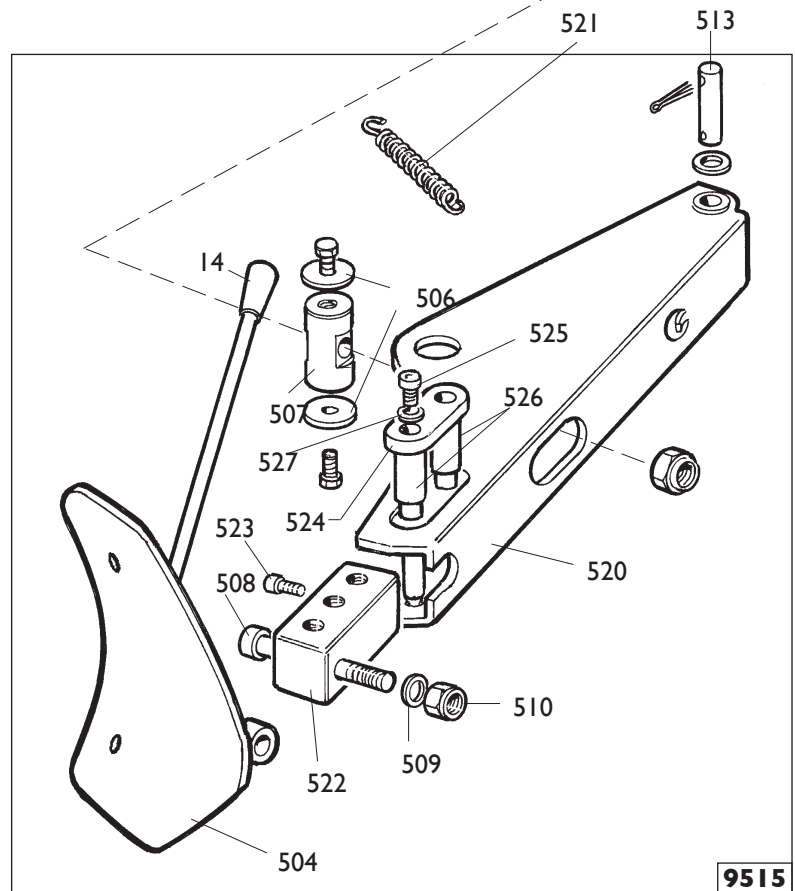
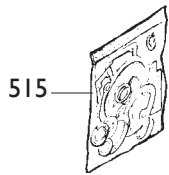
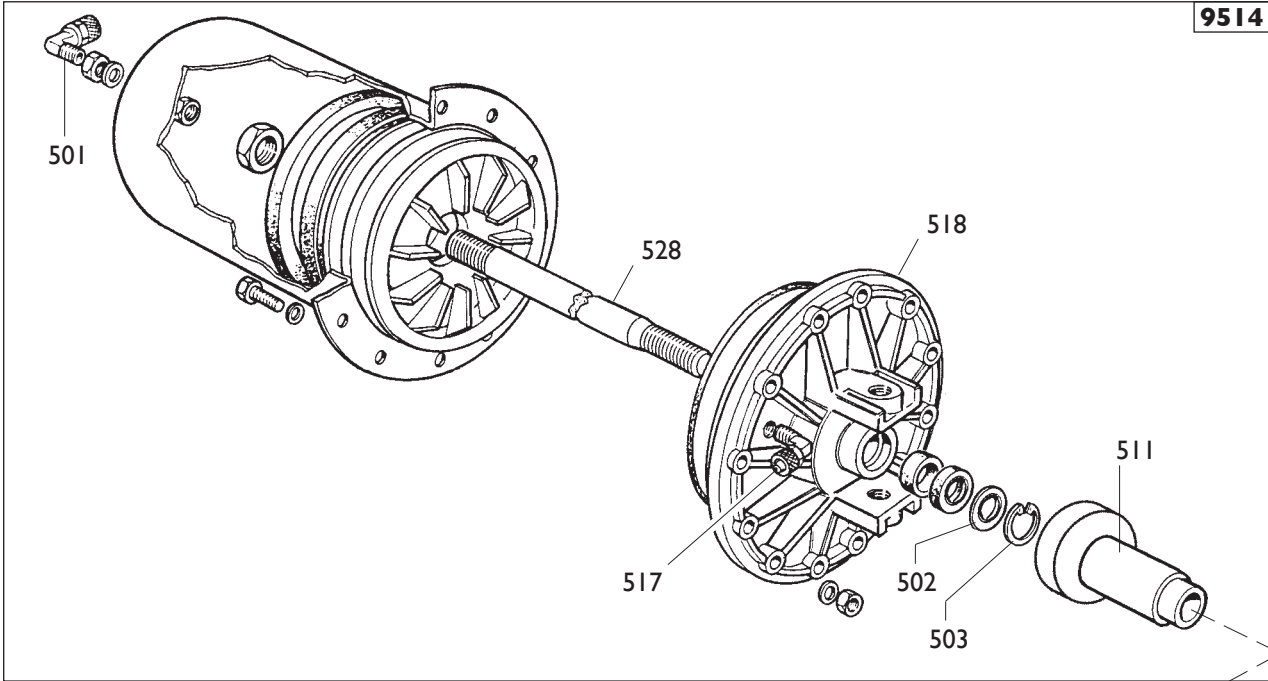
9030

| | | | | | |
|------|-----------|------|------|------|-------|
| Ø 6 | 900701684 | TUBO | PIPE | ROHR | TUYAU |
| Ø 8 | 900701683 | TUBO | PIPE | ROHR | TUYAU |
| Ø 10 | 900701875 | TUBO | PIPE | ROHR | TUYAU |

| | | | | | |
|-------------|------------------|--------------------------|-----------------------|----------------------------|------------------------|
| 9030 | 900252599 | SCATOLA - BAR/PSI | BOX - BAR/PSI | SCHACHTEL - BAR/PSI | BOITE - BAR/PSI |
| 9030 | 900259565 | SCATOLA - KPA | BOX - KPA | SCHACHTEL - KPA | BOITE - KPA |
| 1001 | 900235462 | TUBO | PIPE | ROHR | TUYAU |
| | | MANOMETRO | PRESSURE GAUGE | DRUCKMESSER | MANOMETRE |
| 1002 | 900437831 | BAR - PSI | BAR - PSI | BAR - PSI | BAR - PSI |
| 1002 | 900457826 | KPA | KPA | KPA | KPA |
| 1003 | 900235463 | VALVOLA | VALVE | VENTIL | VANNE |
| 1036 | 900352614 | TUBO aria | PIPE | ROHR | TUYAU |
| 1039 | 900434180 | RACCORDO | CONNECTOR | ANSCHLUSS | RACCORD |
| 1042 | 900429536 | INNESTO | CLUTCH | KUPPLUNG | EMBRAYAGE |



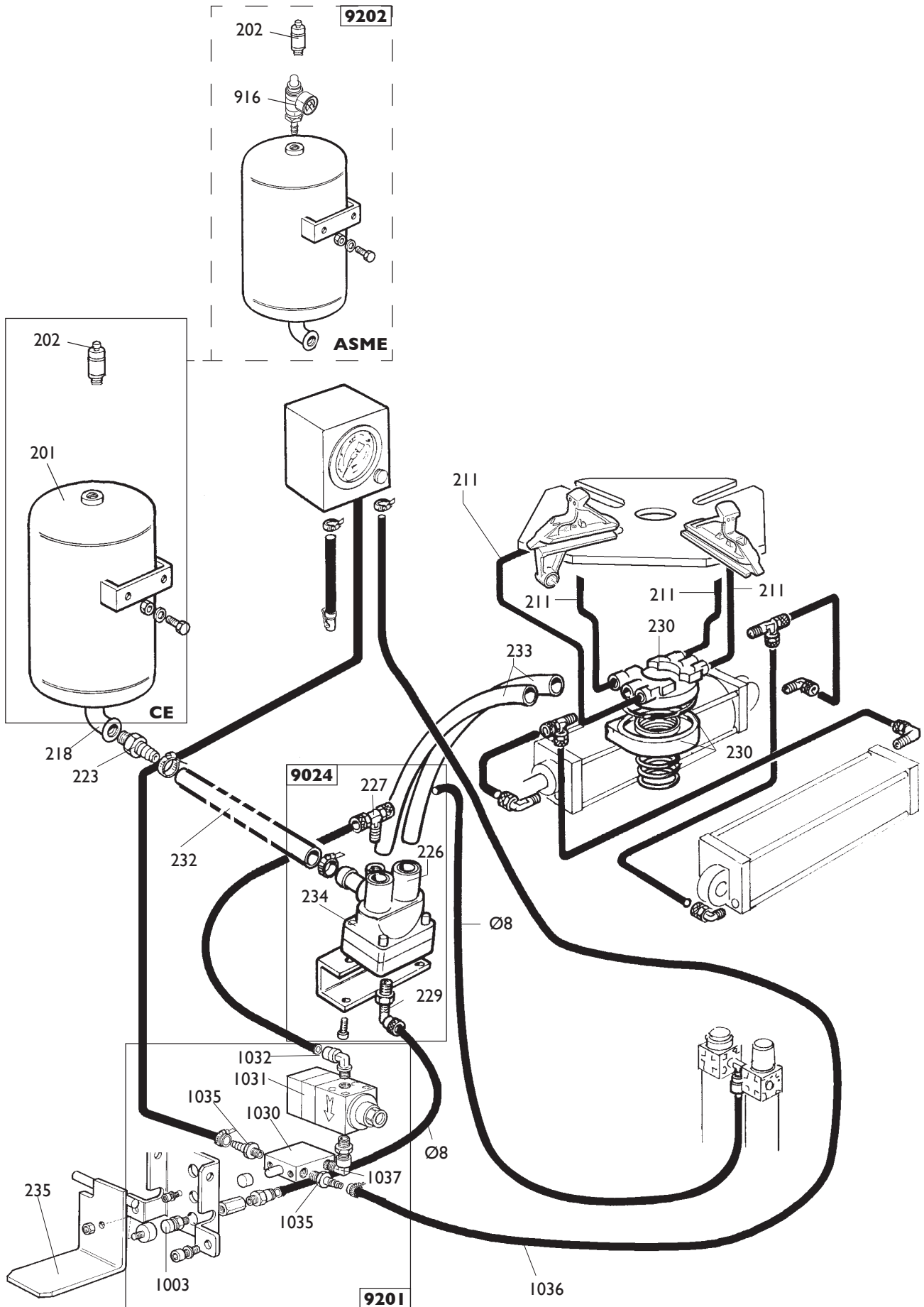
| | | | | | |
|------|-------------|------------|-------------|-----------------|------------|
| 0002 | 900428845 | COPERCHIO | LID | DECKEL | COUVERCLE |
| 0005 | 900426768 | PROTEZIONE | SHIELD | ABDECKUNG | PROTECTION |
| 0006 | 900436199 | APPOGGIO | RIM SUPPORT | STUETZE | APPUI |
| 0007 | 900422019 | PIEDE | FOOT | FUSS | PIED |
| 0008 | 900318183 | RONDELLA | WASHER | UNTERLEGSCHIEBE | RONDELLE |
| 0009 | 900322348 | VITE | SCREW | SCHRAUBE | VIS |
| 0010 | 900320191 | VITE | SCREW | SCHRAUBE | VIS |
| 0011 | 900331055 | PERNO | PIN | ZAPFEN | PIVOT |
| 0012 | 900339456 | PERNO | PIN | ZAPFEN | PIVOT |
| 0013 | 900339046 | PERNO | PIN | ZAPFEN | PIVOT |
| 0014 | 900425219 | MANOPOLA | KNOB | BALLENGRIFF | BOUTON |
| 0015 | 9004-100817 | PROTEZIONE | SHIELD | ABDECKUNG | PROTECTION |
| 0016 | 900341176 | COFANO | HOOD | HAUBE | COFFRE |



| 9514 | 9005-100484 | CILINDRO | CYLINDER | ZYLINDER | CYLINDRE |
|-------------|--------------------|-----------------|-----------------|-----------------|-----------------|
| 0501 | 900441598 | RACCORDO | CONNECTOR | ANSCHLUSS | RACCORD |
| 0502 | 900325561 | RONDELLA | WASHER | UNTERLEGSCHEIBE | RONDELLE |
| 0503 | 900434031 | ANELLO | RING | RING | ANNEAU |
| 0517 | 900451926 | RACCORDO | CONNECTOR | ANSCHLUSS | RACCORD |
| 0518 | 900351905 | FLANGIA | FLANGE | FLANSCH | FLASQUE |

| 9515 | 900245743 | BRACCIO | ARM | ARM | BRAS |
|-------------|------------------|----------------|--------------|--------------------|-------------|
| 0014 | 900425219 | MANIGLIA | HANDLE | HANDGRIFF | POIGNEE |
| 0504 | 900224000 | PALETTA | BEAD BREAKER | SCHAUFEL | PEL□LE |
| 0506 | 950323901 | RONDELLA | WASHER | UNTERLEGSCHEIBE | RONDELLE |
| 0507 | 900339045 | PERNO | PIN | ZAPFEN | PIVOT |
| 0508 | 900324008 | PERNO | PIN | ZAPFEN | PIVOT |
| 0509 | 900409650 | RONDELLA | WASHER | UNTERLEGSCHEIBE | RONDELLE |
| 0510 | 900422255 | DADO | NUT | MUTTER | ECROU |
| 0520 | 900245701 | BRACCIO | ARM | ARM | BRAS |
| 0522 | 900345618 | BLOCCHETTO | BLOCK | BLOCK | BLOC |
| 0523 | 900600308 | VITE | SCREW | SCHRAUBE | VIS |
| 0524 | 900345616 | FERMO | RETAINER | ANSCHLAG | ARRET |
| 0525 | 900600372 | VITE | SCREW | SCHRAUBE | VIS |
| 0526 | 900345617 | PUNTE | LOCKING | FESTKLEMMENSPIITZE | POINTE |
| 0527 | 900600212 | RONDELLA | WASHER | UNTERLEGSCHEIBE | RONDELLE |

| | | | | | |
|------|-------------|-----------------|-----------|--------------|------------|
| 0511 | 900239061 | TAMPONE | PAD | PUFFER | TAMPON |
| 0513 | 900323903 | FULCRO | FULCRUM | DREHPUNKT | ENTABLURE |
| 0515 | 900238212 | KIT GUARNIZIONI | SEALS KIT | DICHTUNGSATZ | KIT JOINTS |
| 0521 | 9004-101930 | MOLLA | SPRING | FEDER | RESSORT |
| 0528 | 9004-101628 | STELO | SHAFT | STEM | TIGE |



| | | | | | |
|-----|-----------|------|------|------|-------|
| Ø 6 | 900701684 | TUBO | PIPE | ROHR | TUYAU |
| Ø 8 | 900701683 | TUBO | PIPE | ROHR | TUYAU |

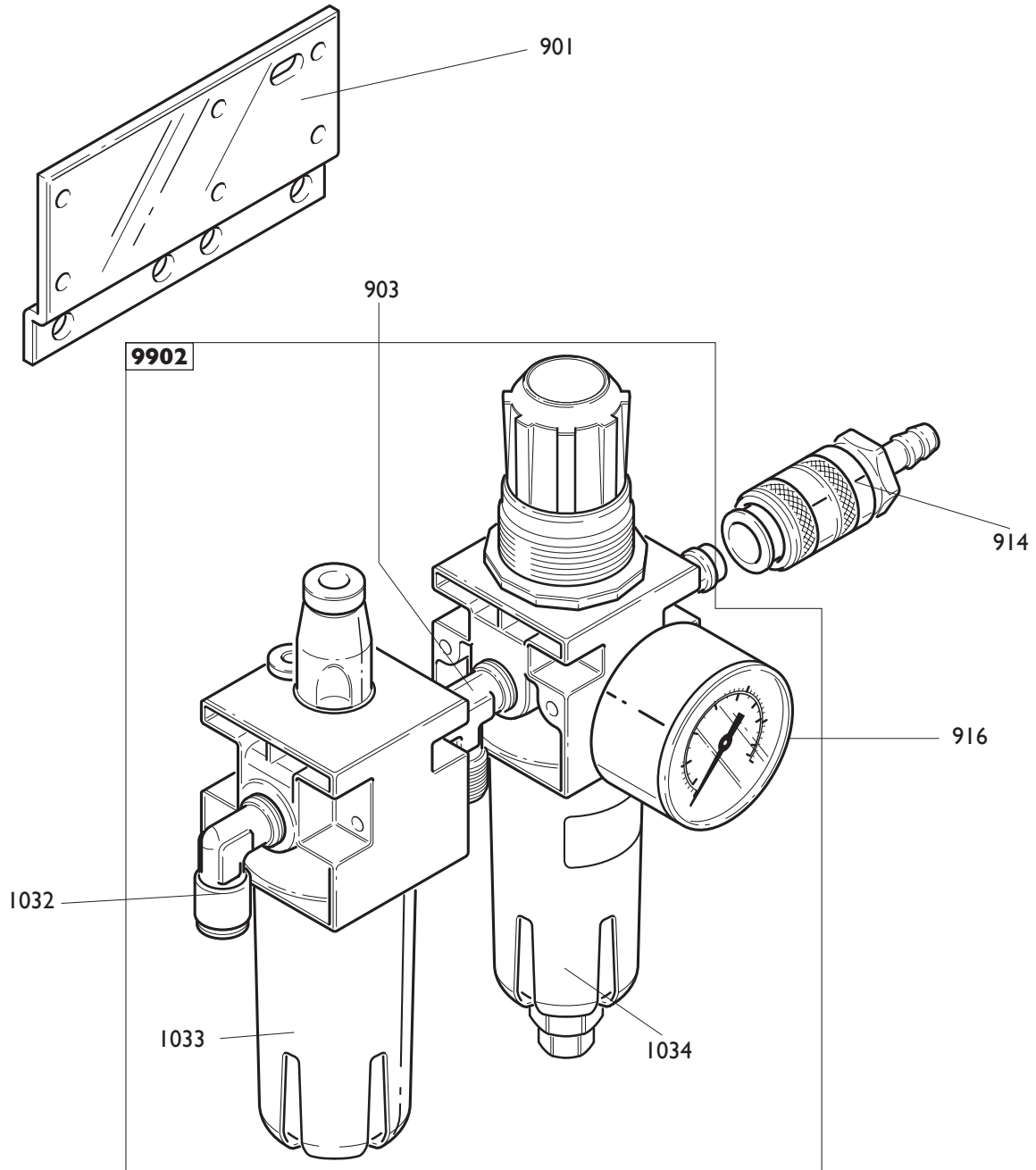
| 9202 | 9005-101611 | SERBATOIO ASME | TANK ASME | TANK ASME | RESERVOIR ASME |
|-------------|--------------------|-----------------------|------------------|------------------|-----------------------|
| 0202 | 900435077 | VALVOLA | VALVE | VENTIL | VANNE |
| 0916 | 900434818 | MANOMETRO | PRESSURE GAUGE | DRUCKMESSER | MANOMETRE |

| | | | | | |
|------|-----------|--------------|-----------|-----------|-----------|
| 0201 | 900240968 | SERBATOIO CE | TANK | TANK | RESERVOIR |
| 0202 | 900435077 | VALVOLA | VALVE | VENTIL | VANNE |
| 0211 | 900704223 | TUBO | PIPE | ROHR | TUYAU |
| 0218 | 900438995 | RACCORDO | CONNECTOR | ANSCHLUSS | RACCORD |
| 0223 | 900337704 | RACCORDO | CONNECTOR | ANSCHLUSS | RACCORD |
| 0235 | 900252625 | PEDALE | PEDAL | PEDAL | PEDALE |

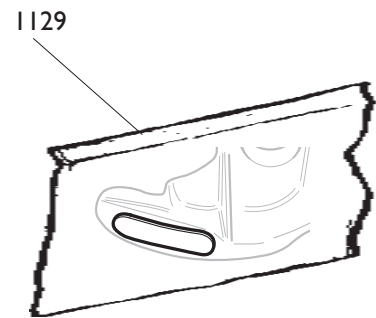
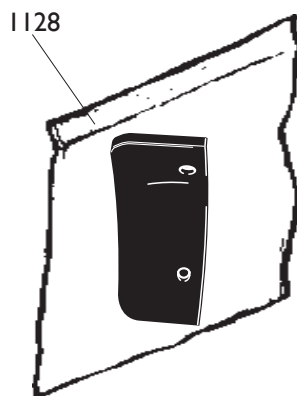
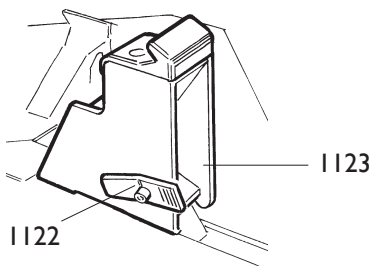
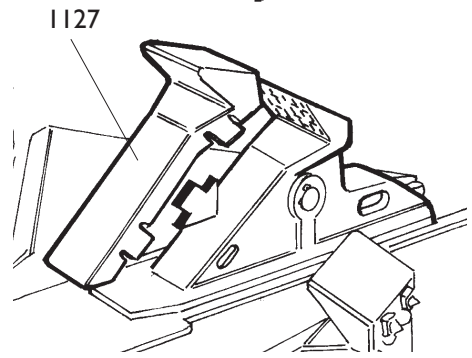
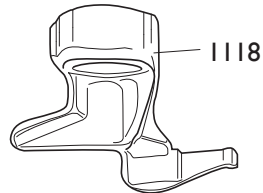
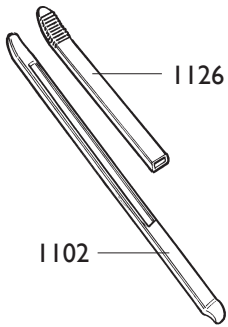
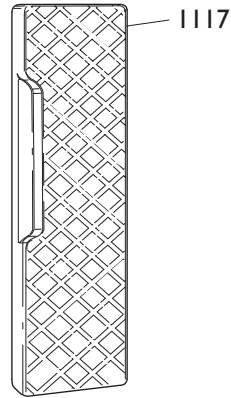
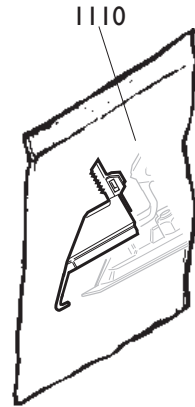
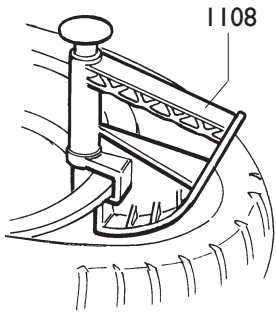
| 9024 | 900242290 | VALVOLA | VALVE | VENTIL | VANNE |
|-------------|------------------|----------------|--------------|---------------|--------------|
| 0226 | 900431993 | CARTUCCIA | CARTRIDGE | EINSATZ | CARTOUCHE |
| 0227 | 900438665 | RACCORDO | CONNECTOR | ANSCHLUSS | RACCORD |
| 0229 | 900441651 | RACCORDO | CONNECTOR | ANSCHLUSS | RACCORD |
| 0234 | 900243020 | VALVOLA | VALVE | VENTIL | VANNE |

| | | | | | |
|------|-----------|----------|-----------|-----------|---------|
| 0230 | 900241841 | RACCORDO | CONNECTOR | ANSCHLUSS | RACCORD |
| 0232 | 900342288 | TUBO | PIPE | ROHR | TUYAU |
| 0233 | 900342289 | TUBO | PIPE | ROHR | TUYAU |

| 9201 | 900252568 | GRUPPO gonfiaggio | ASSEMBLY | GRUPPE | GROUPE |
|-------------|------------------|--------------------------|-----------------|---------------|---------------|
| 1003 | 900235463 | VALVOLA | VALVE | VENTIL | VANNE |
| 1030 | 900452564 | VALVOLA | VALVE | VENTIL | VANNE |
| 1031 | 900452553 | VALVOLA | VALVE | VENTIL | VANNE |
| 1032 | 900450406 | RACCORDO | CONNECTOR | ANSCHLUSS | RACCORD |
| 1035 | 900421137 | INNESTO | CLUTCH | KUPPLUNG | EMBAYAGE |
| 1036 | 900352614 | TUBO aria | PIPE | ROHR | TUYAU |
| 1037 | 900418252 | NIPPLO | CONNECTION | NIPPEL | NIPPLE |

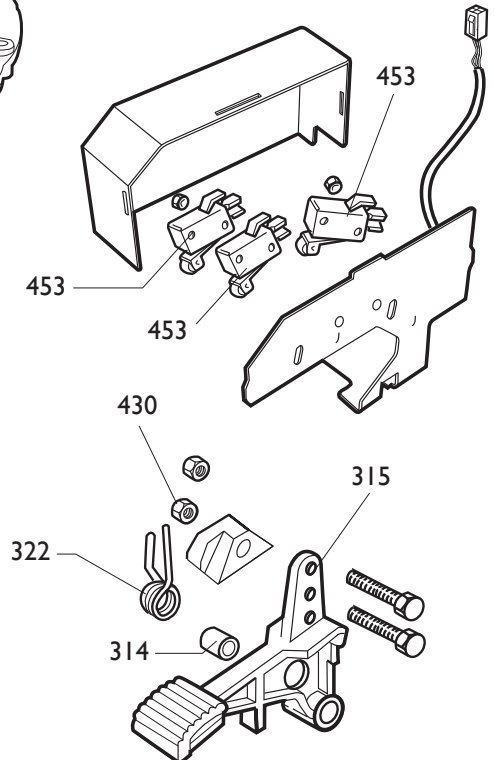
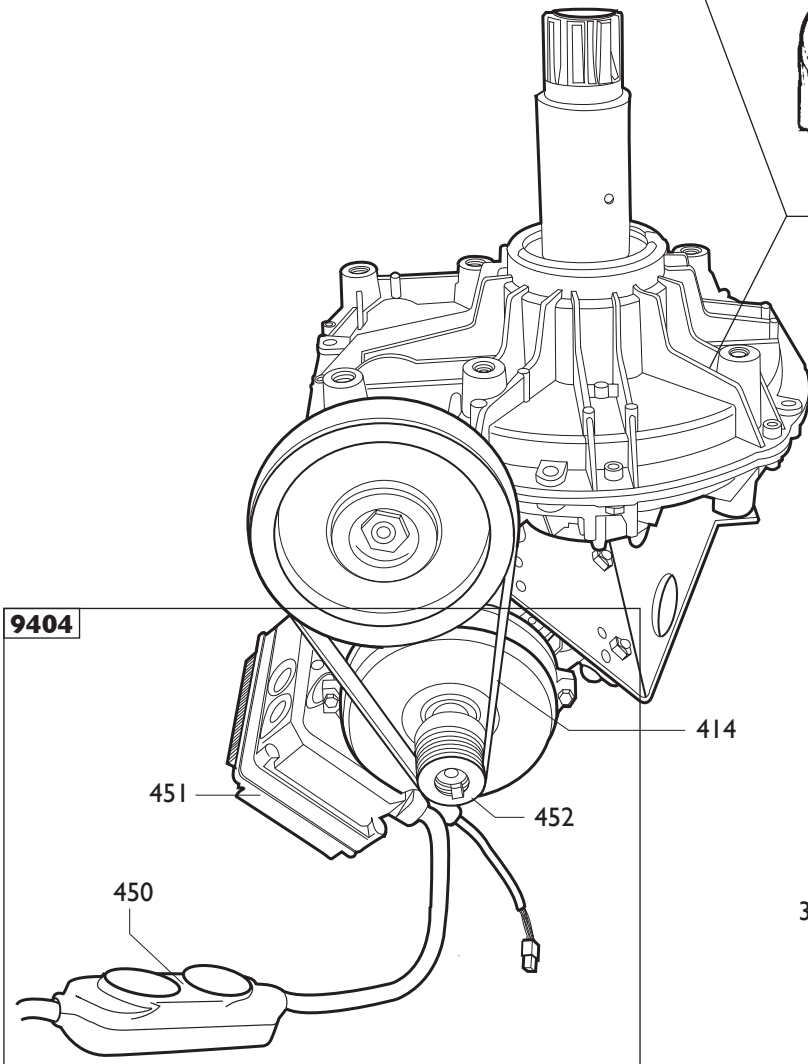
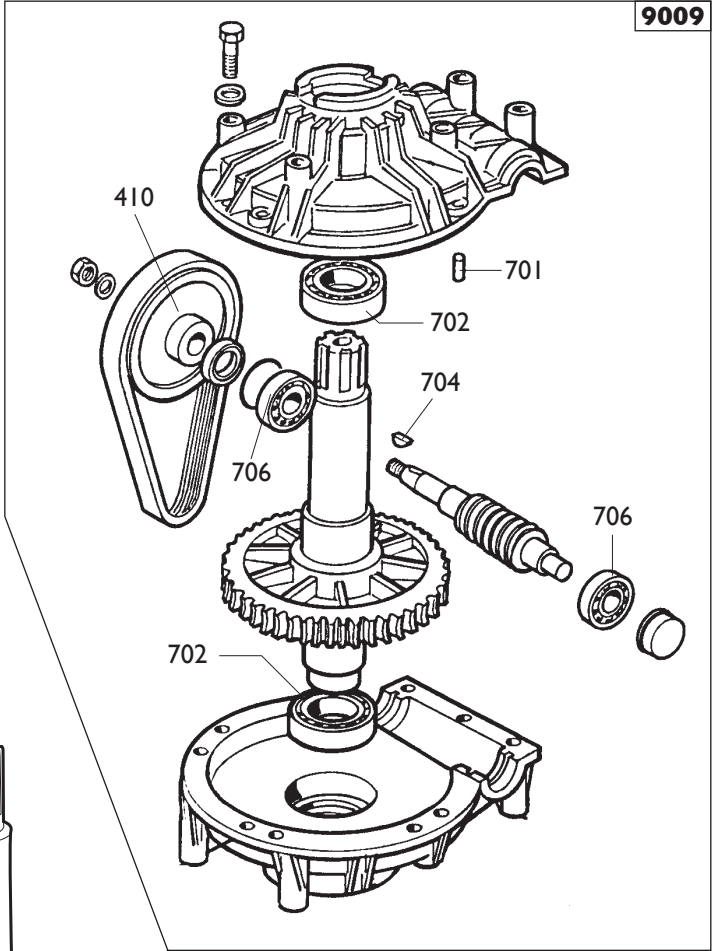


| | | | | | |
|-------------|------------------|---------------|----------------|---------------|---------------|
| 0901 | 900335695 | STAFFA | BRACKET | KLAUE | ETRIER |
| 0903 | 900433873 | RACCORDO | CONNECTOR | ANSCHLUSS | RACCORD |
| 9902 | 900456522 | FILTRO | FILTER | FILTER | FILTRE |
| 1033 | 900457511 | BICCHIERE | BOWL | GLAS | BOL |
| 1034 | 900457512 | BICCHIERE | BOWL | GLAS | BOL |
| 0914 | 900441899 | GIUNTO | CUOPLING | KUPPLUNG | ACCOUPLLEMENT |
| 0916 | 900434818 | MANOMETRO | PRESSURE GAUGE | DRUCKMESSER | MANOMETRE |
| 1032 | 900450406 | RACCORDO | CONNECTOR | ANSCHLUSS | RACCORD |



| | | | | | |
|------|------------|-----------------|-------------|-----------------|---------------|
| 1102 | 900444238 | LEVA | LEVER | HEBEL | LEVIER |
| 1108 | 801435685 | PINZA | PLIERS | ZANGE | PINCE |
| 1110 | 8-11100109 | PROTEZIONE | SHIELD | ABDECKUNG | PROTECTION |
| 1117 | 801458663 | PROTEZIONE | SHIELD | ABDECKUNG | PROTECTION |
| 1118 | 801252083 | KIT TORRETTA 8" | HEAD KIT 8" | DREHKOPF KIT 8" | TOUREL KIT 8" |
| 1122 | 801258650 | ATTACCO | ADAPTOR | HALTERUNG | ATTAQUE |
| 1123 | 900426746 | CRICCHETTO | CRICK | SPERRKLINKE | CLIQUET |
| 1125 | 8-11100106 | INSERTO | INSERT | EINLAGE | INSERT |
| 1126 | 8-11100104 | PROTEZIONE | SHIELD | ABDECKUNG | PROTECTION |
| 1127 | 8-11100108 | PROTEZIONE | SHIELD | ABDECKUNG | PROTECTION |
| 1128 | 8-11100105 | PROTEZIONE | SHIELD | ABDECKUNG | PROTECTION |
| 1129 | 8-11100107 | INSERTO | INSERT | EINLAGE | INSERT |

9009



| | | MOTORE+INV | MOTOR+REV. | MOTOR+RICHTUNGSW. | MOTEUR+INV. |
|-------------|--------------------|---------------------|---------------------|--------------------------|---------------------|
| 9404 | 9005-100712 | 200-230V 1ph | 200-230V 1ph | 200-230V 1ph | 200-230V 1ph |
| 0451 | 9004-104102 | SCHEDA ELETTR. | P.C.BOARD | ELEKTR.PLATINE | FICHE ELECTR. |
| 0450 | 9004-101687 | CAVO | CABLE | KABEL | CABLE |
| 0452 | 9004-102397 | PULEGGIA | PULLEY | RIEMENSCHLEIBE | POULIE |

| | | MOTORE+INV | MOTOR+REV. | MOTOR+RICHTUNGSW. | MOTEUR+INV. |
|-------------|--------------------|-------------------|-------------------|--------------------------|--------------------|
| 9404 | 9005-101507 | 115V 1ph | 115V 1ph | 115V 1ph | 115V 1ph |
| 0450 | 9004-104806 | CAVO | CABLE | KABEL | CABLE |

| | | | | | |
|------|-----------|-------------|--------|----------------|------------|
| 0315 | 900252010 | PEDALE | PEDAL | PEDAL | PEDALE |
| 0314 | 900325050 | DISTANZIALE | SPACER | ABSTANDSSTUECK | ENTRETOISE |

| | | RIDUTTORE | GEAR BOX | GETRIEBE | REDUCTEUR |
|-------------|------------------|------------------|-----------------|-----------------|------------------|
| 9009 | 900246020 | | | | |
| 0701 | 900601280 | SPINA ELASTICA | PIN | SPANNSTIFT | CHEVILLE |
| 0702 | 900601220 | CUSCINETTO | BEARING | LAGER | ROULEMENT |
| 0704 | 900600667 | LINGUETTA | TANG | FEDERKEIL | LANGUETTE |
| 0706 | 900601221 | CUSCINETTO | BEARING | LAGER | ROULEMENT |
| 0410 | 900339870 | PULEGGIA | PULLEY | RIEMENSCHLEIBE | POULIE |

| | | | | | |
|------|-----------|-----------------|-------------|---------------|-----------------|
| 0322 | 900428682 | MOLLA | SPRING | FEDER | RESSORT |
| 0414 | 900440571 | CINGHIA | BELT | RIEMEN | COURROIE |
| 0453 | 900440874 | MICROINTERUTORE | MICROSWITCH | MIKROSCHALTER | MICROINTERRUPT. |
| 0454 | 900461535 | BLOCCHETTO | BLOCK | BLOCK | BLOC |
| 0430 | 900346008 | BOCCOLA | BUSHING | LAGER | DOUILLE |

Il disegno è realizzato con tutti i particolari ma solo quelli codificati sono forniti come ricambi. L'Azienda si riserva la facoltà di apportare modifiche senza preavviso.



Via per Carpi, n°9 - 42015 Correggio (RE) ITALY
Tel. ++39 0522 639111 - Fax ++39 0522 639150
www.corgi.com - info@corgi.com

The drawing shows all parts but only the coded parts are supplied as spares. The Company reserves the right to make modifications without prior notice.

COMIM - Cod. 4-103961A - Rif. Poz. 901000428.