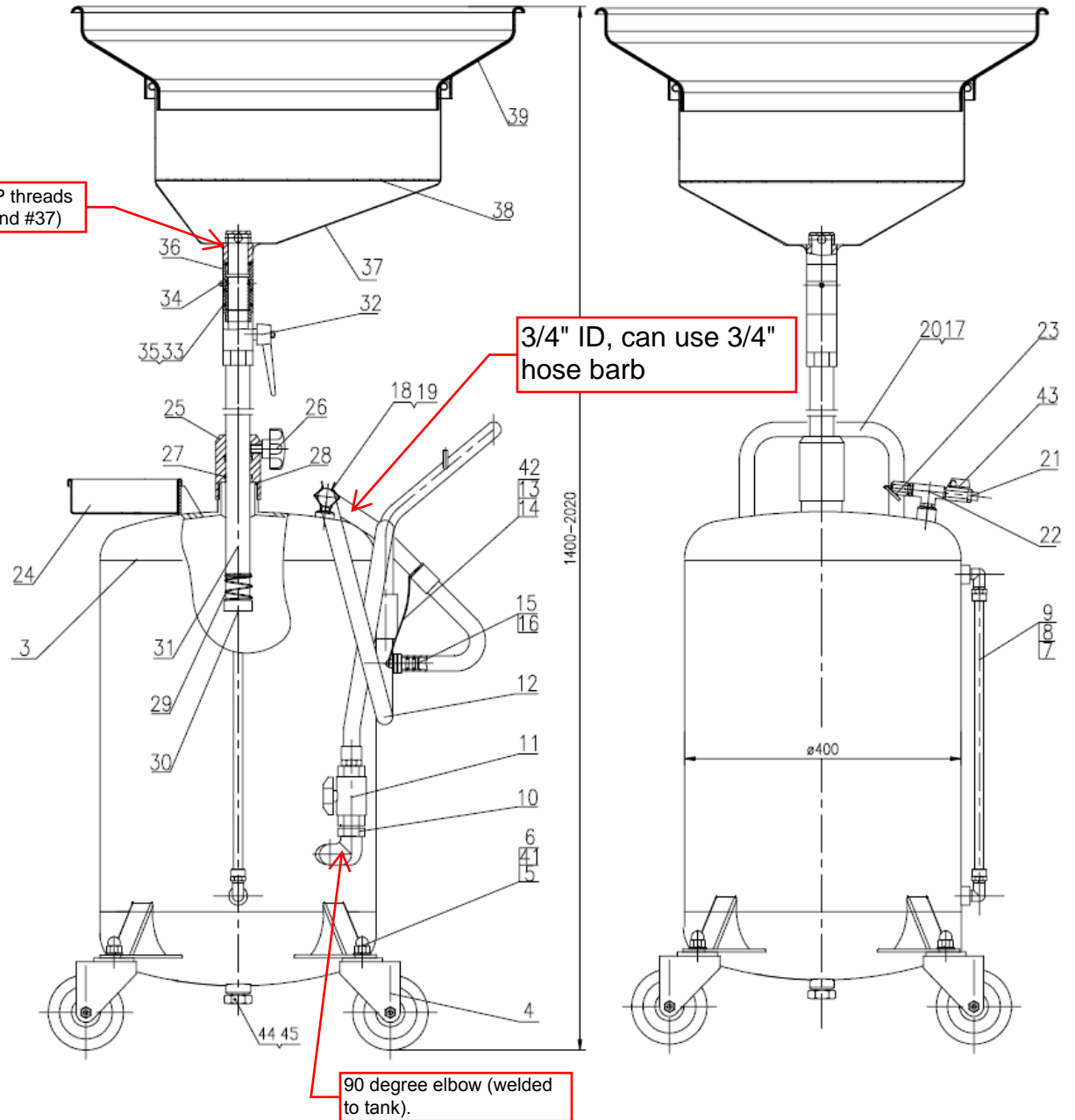


TIM-317-A Waste Oil Drain Illustrated Parts Breakdown

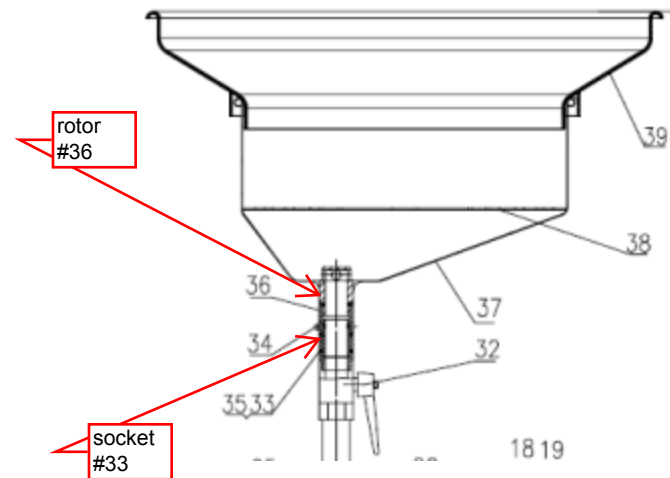
#	QTY	Description	Part No.
3		Not sold as a piece part.	
4	4	Casters (sold as pair)	TIM-317-4
5	4	Plain Washer	TIM-317-5
6	4	Acorn nut	TIM-317-6
7	2	Elbow (sold as pair)	TIM-317-7
8	2	Nut (sold as pair)	TIM-317-8
9	1	Tube with label	TIM-317-9
10	1	Double end adapter	TIM-317-10
11	1	3/4" Ball valve	TIM-317-11
12	1	Discharging hose	TIM-317-12
13	1	Chain	TIM-317-13
14	1	Pan head screw	TIM-317-14
15	1	Plug	TIM-317-15
16	2	O-ring 16 x 2.4 (sold as pair)	TIM-317-16
17	2	Screw w/ chamfered end	TIM-317-17
18	1	Screw	TIM-317-18
19	1	Hose clip	TIM-317-19
20	1	Handle	TIM-317-20
21		P/N varies (1/4" MPT "push-to-connect" air coupler)	
22	1	T-elbow adapter	TIM-317-22
23	1	Safety valve - 12 psi	TIM-317-23
24	1	Tool tray	TIM-317-24
25	1	Seat	TIM-317-25
26	1	Hand wheel	TIM-317-26
27	2	O-ring 32.92 x 3.53 (sold as pair)	TIM-317-27H
28	1	O-ring 48.9 x 2.62	TIM-317-28H
29	1	Spring	TIM-317-29
30	1	Nut	TIM-317-30
31	1	Adjusting steel tube	TIM-317-31
32	1	Ball valve	TIM-317-32
33	1	Bowl supporting tube	TIM-317-33
34	1	Set Screw	TIM-317-34
35	2	O-ring 32.9 x 2.62 (Sold as pair)	TIM-317-35H
36	1	Rotor	TIM-317-36
37	1	Oil collecting bowl	TIM-317-37C
38	1	Filtrating plank	TIM-317-38
39	1	Funnel extender	TIM-317-39
41	4	Spring Washer	TIM-317-41
42	1	Ring	TIM-317-42
43	1	Ball valve (1/4" FPT inlet)	TIM-317-43
44	1	Plug kit (includes #44 Drain Plug Nut and #45 O-ring 24x2.65)	TIM-317-PLUG
45			



Position #33, in spite of its description ("bowl supporting tube"), is actually the 'socket' for the rotor (position 36).

The female rotor threads screw onto the male outlet port threads of the oil collecting bowl.

The rotor outlet fits into the socket inlet.



AMERICAN LUBE

P/N TIM-317-36

DESP ROTOR

QTY: 1PC

