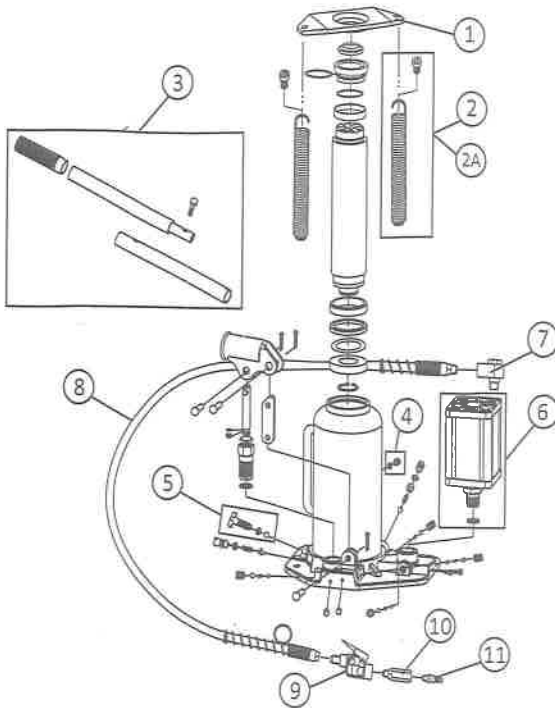




**Model: 301-61206 - Capacity: 20 Ton**  
**Model: 301-61207 - Capacity: 20 Ton Short**

**EXPLODED VIEW & REPLACEABLE PART NUMBERS**



| Item | Part Number* | Description                    | Q'ty |
|------|--------------|--------------------------------|------|
| 1    | QLD20-1      | Spring Plate                   | 1    |
| 2    | QLD20-200    | Return Spring w/ Screw         | 2    |
| 2A   | QLD20-100    | Return Spring w/ Screw - Short | 2    |
| 3    | QLD20.200    | 2-Piece Handle Assembly        | 1    |
| 4    | LYD3F-100    | Air Vent Screw w/ O-Ring       | 1    |
| 5    | QLD20.1-900  | Release Valve w/ Seal          | 1    |
| 6    | KCD22.9-10   | Air Motor Assembly w/ Washer   | 1    |
| 7    | KCD22-14-1   | Inlet Swivel                   | 1    |
| 8    | KCD22-14-2   | Air Hose                       | 1    |
| 9    | KCD22-14-3   | Control Valve                  | 1    |
| 10   | KCD22-14-4   | Air Filter                     | 1    |
| 11   | KCD22-14-5   | Male Coupler                   | 1    |
| N/A  | 301-61206-L  | Label                          | 1    |
| N/A  | 301-61207-L  | Label                          | 1    |

\* Items not identified by part number are not available for replacement.