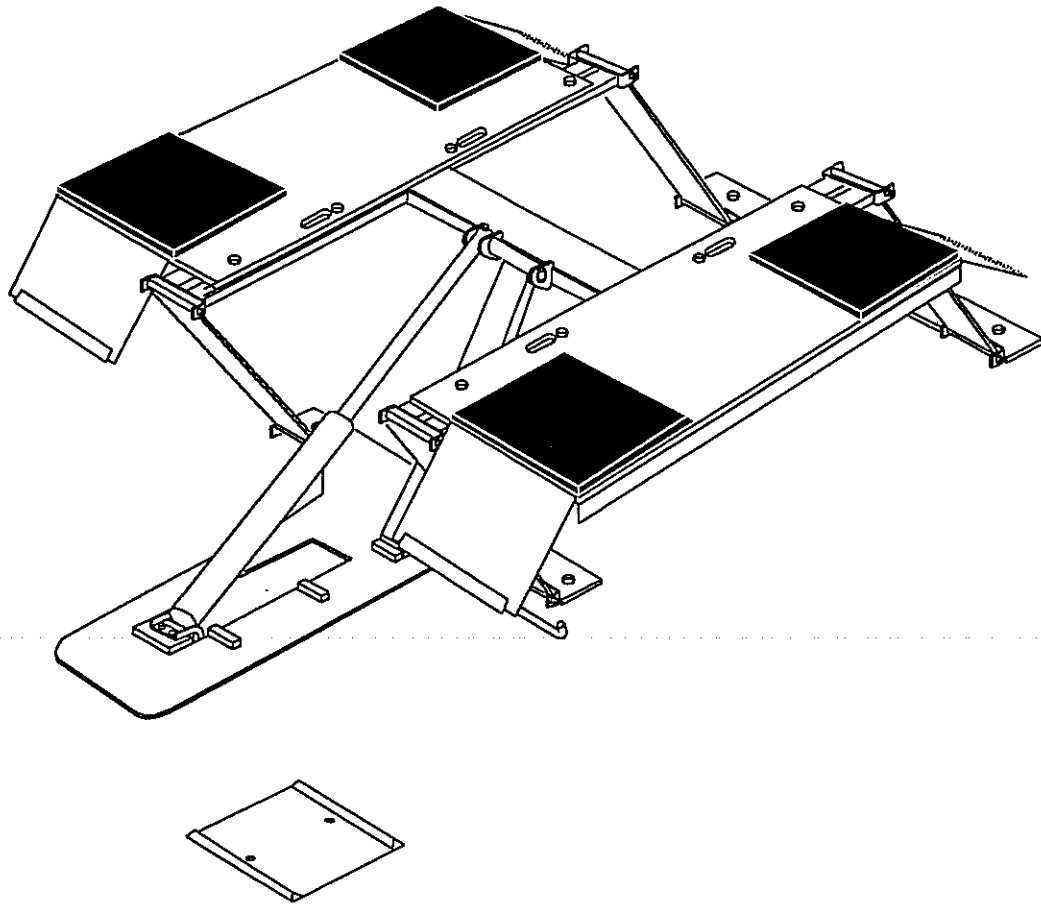




World Leader in Lift Systems

# Models: VLX6, VLXS6

## PARTS BREAKDOWN



**IMPORTANT:** When ordering parts always give exact model and power unit serial number. Model number is shown on nameplate attached to center member of superstructure. Serial number is located on side of power unit reservoir.

**NOTES:**

### OWNER'S RECORD

Complete information at right and keep in a safe place.

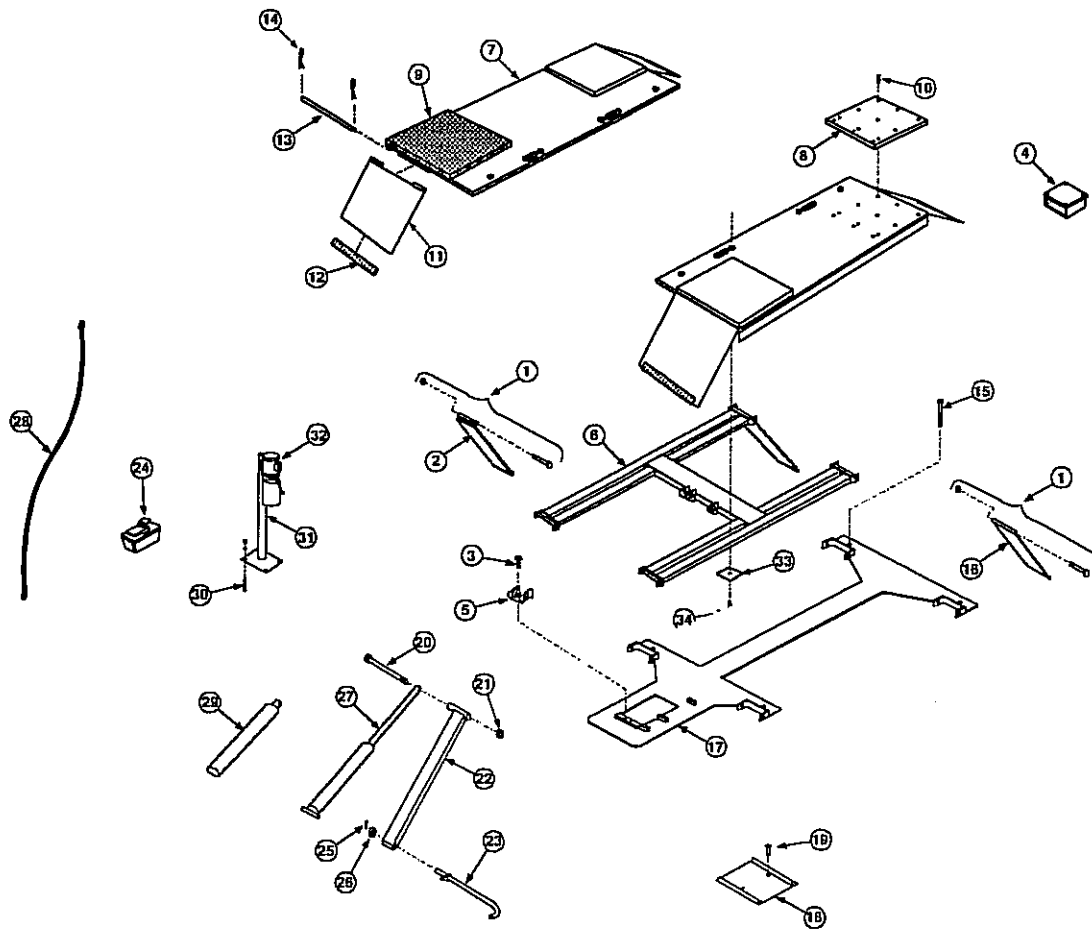
Date Installed \_\_\_\_\_

Installed in Bay # \_\_\_\_\_

Power Unit Serial # \_\_\_\_\_

Factory Order # \_\_\_\_\_

**NOTE: For Replacement Parts - See Your Nearest Rotary Parts Distributor.**



### VLX6, VLXS6 REPLACEMENT PARTS

ITEM NO.	DESCRIPTION	PART NO.	ITEM NO.	DESCRIPTION	PART NO.
1	Leg Bolt Kit	FJ2260	18	Wheel Spalling Dish	FF729-1
2	Front Leg Assembly	FJ2244	19	Drive Anchor	FJ7659-2
3	3/8" X 1" Flange Head Cap Screw	40144	20	5/8"-11NC HHCS x 8 1/2" Lg. Gd. 8	40359
4	Auxiliary Rubber Pad	FJ2186-22	21	Nut	FJ2298-8
5	Cylinder Bracket	FJ2293-1	22	Locking Leg Assembly	FJ2294
6	Superstructure Assembly	FJ2242	23	Release Handle Assembly	FA2243-3
7	Pad Weldment	FJ2386-1	24	Foot Pump Power Unit (Air version)	P832
8	Pad	FJ2252-5	25	1/8" x 1 1/4" Cotter Pin	41201
9	Hot Pad	FJ2252-6	26	Machinery Bushing Washer	FJ2252-4
10	1/4"-20 Flange Whiz-Loc	40641	27	Hydraulic Cylinder	FJ2248
	1/4"-20 Flange Socket BHCSH	40077	28	Hose	FJ85
11	Ramp Weldment	FJ2287	29	Optional Cylinder Cover	FJ2260
12	Plastic Ramp Slide	FC5142-3	30	3/8" Concrete Anchor	FC5388-98
13	Hinge Pin	FJ2388	31	Power Unit Stand	FJ864
14	Cotter Pin	41202	32	Power Unit (Electric version)	P601
15	3/4" Concrete Anchor	FJ2377	33	VLX Retainer Base	PR980297
16	Rear Leg Assembly	FJ2245	34	Retainer Bolt	40444
17	Front Base	FJ2370	35		

@Note: If adapter base needs replacing, it is more economical to replace the entire adapter.



World Leader in Lift Systems

PB2-5-5

Rev. A

World Headquarters:  
**ROTARY LIFT**  
**A DOVER INDUSTRIES COMPANY**  
 2700 Lanier Drive  
 Madison, IN 47250-1753 USA  
 Phone toll-free: 1-800-445-5438  
 1-(812)273-1622  
 FAX toll-free: 1-800-822-6502  
 1-(812)273-6502  
 E-mail: [userlink@rotarylift.com](mailto:userlink@rotarylift.com)  
[www.rotary-lift.com](http://www.rotary-lift.com)

For Canada:  
**DOVER CORP. CANADA, LTD.**  
**ROTARY LIFT DIVISION**  
 130 Bridgeland Avenue, Unit 210  
 Toronto, Ontario  
 Canada M6A 1Z4  
 1-(416)256-4100  
 Fax: 1-(416)256-3924

For United Kingdom &  
 Republic of Ireland:  
**ROTARY LIFT LIMITED**  
 Madison House  
 2 Park Road  
 Dartford, Kent DA1 1SL  
 Phone: +44 (0) 1322 223323  
 Fax: +44 (0) 1322 222454