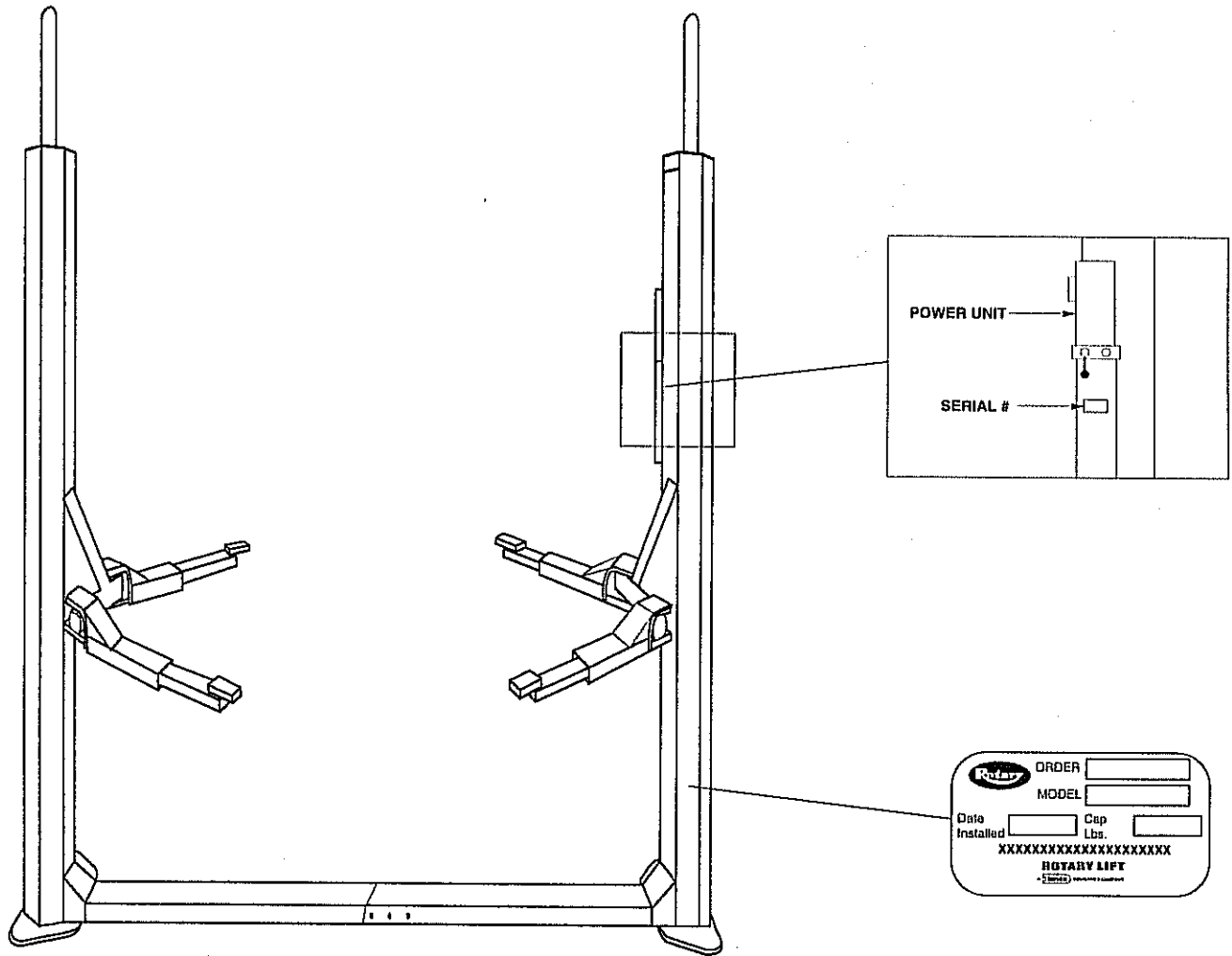


ROTARY LIFT

P.O. Box 1560 Madison, IN. 47250
 WORLD LEADER IN LIFT SYSTEMS
 A **DOVER** INDUSTRIES COMPANY

MODEL SP98/88 PARTS BREAKDOWN



OWNERS RECORD

Complete information
 at right and keep in
 a safe place.

Date Installed _____ / _____ / _____
 Installed In Bay # _____
 Std. Serial # _____ / P602
 3 ph. Serial # _____ / P604
 Factory Order # L _____
 Model No# _____

IMPORTANT: When ordering parts or requesting service always give exact model and power unit serial number. Model number is shown on nameplate attached to base of Power Unit column. Power unit serial number is located on side of power unit reservoir.

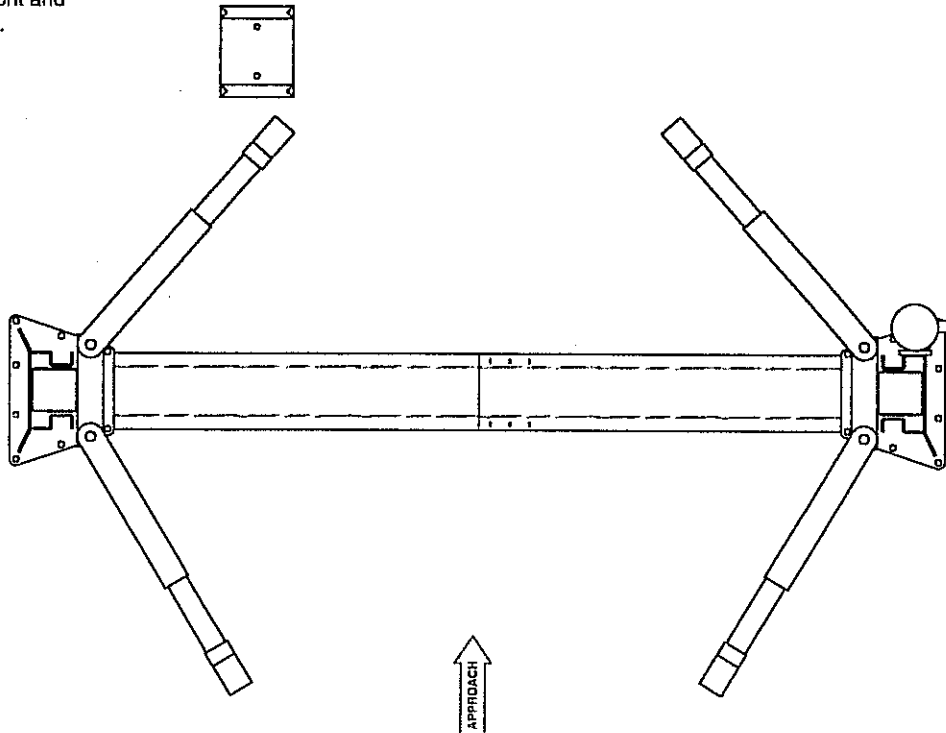
NOTE: For Replacement Parts - See Your Nearest Rotary Parts Distributor .

SP98 / 88 PARTS LIST

ITEM NO.	DESCRIPTION	SP98 PART NO.	SP88 PART NO.	ITEM NO.	DESCRIPTION	SP98 PART NO.	SP88 PART NO.
1	L.H. Column Assembly	FJ7679	FJ7705	27	Order with Complete Assembly Item #11	FJ7416-2	FJ7416-2
2	R.H. Column Assembly	FJ7678	FJ7706				
3	Center Cover Plate (2) Sections REQ'D	FJ5576	FJ5576	28	Low Step Adapter	FJ671-2	FJ671-2
4	Carriage Yoke Assembly	FJ7638	FJ7453	29	Adapter Pin	FJ671-3	FJ671-3
5	Outer Arm*	FJ7457-1	FJ7455-1	30	3/32" Hog Ring for 1/2" Shaft FJ671-2	8 REQ'D	8 REQ'D
6	Outer Arm**	FJ7458-1	FJ7456-1	31	High Step Adapter 2 RR	FJ671-1	FJ671-1
7	Hydraulic Cylinder	FJ7311	FJ7311	32	Adapter Swivel Pin	FJ79-6	FJ79-6
8	Power Unit	P602	P602	33	3/16" x 2" Lg. Cotter Pin	4 REQ'D	4 REQ'D
9	Power Unit Hose	FJ837	FJ837	34	1/2" — 13NC Hex Lock Nut 40703	4 REQ'D	4 REQ'D
10	5/16"-18NC x 3/4" Bolt, Ext Tooth LW&Nut	4 REQ'D	4 REQ'D	35	Approach Door Bumper — (18" Lg.)	FJ7391-1	FJ7391-1
11	Inner Arm	FJ7416-2	FJ7416-2	36	Arm Pin	FJ7453-4	FJ7453-4
12	Stop Bolt	FC576	FC576	37	Carriage Bumper (6" Lg.)	FJ7391-2	FJ7391-2
13	5/16" Plain Washer	4 REQ'D	4 REQ'D	38	Bleeder Screw	2 REQ'D	2 REQ'D
14	Lower Sheave Shaft Assembly	FJ7425-6	FJ7425-6	39	Upper Sheave Bracket	FJ7729-1	FJ7728-1
15	1/4" — 20NC Flanged Lock Nut 40641	6 REQ'D	6 REQ'D	40	Truarc #5304-75 Klipring for 3/4" Shaft	2 REQ'D	2 REQ'D
16	Truarc #5304-75 Klipring for 3/4" Shaft 4141	4 REQ'D	4 REQ'D	41	Slider Block	FJ7360	FJ7360
17	1/4" — 20NC Hex Cap Screw x 1" Lg.	2 REQ'D	2 REQ'D	42	3/4" Concrete Anchor (16 Req'd)	FJ7380	FJ7380
18	Sheave 40703	FJ7116-1	FJ7116-1	43	Floor Hose	FJ7434	FJ7356
19	Spring	FC134-89	FC134-89	44	Equalizer Cable Assembly	FJ7421	FJ7422
20	Ball Handle	FC134-91	FC134-91	45	Locking Latch Cable Assembly	FJ7594-1	FJ7594-1
21	Plunger	FJ7233-25	FJ7233-25	46	Wheel Spotting Dish	FF729-1	FF729-1
22	1/8" x 3/4" Long Cotter Pin	8 REQ'D	8 REQ'D	47	1 1/2" O.D. x .760/.770" I.D. x .045" Mach. Bush. 41388	2 REQ'D	2 REQ'D
23	Clevis Pin — Arm	F7233-22	F7233-22				
24	Outer Tube	FJ7359-3	FJ7359-3	48	3/8"-16NC x 3/8" Lg. Flanged HHCS	12 REQ'D	12 REQ'D
25	Rod	FJ7359-1	FJ7359-1				
26	Clevis Pin — Yoke	FJ7359-5	FJ7359-5	49	Elbow Adapter (1) REQ'D	FJ7674	FJ7674
				50	1/4"-20NC x 3/4"Lg. Flanged HHCS	4 REQ'D	4 REQ'D

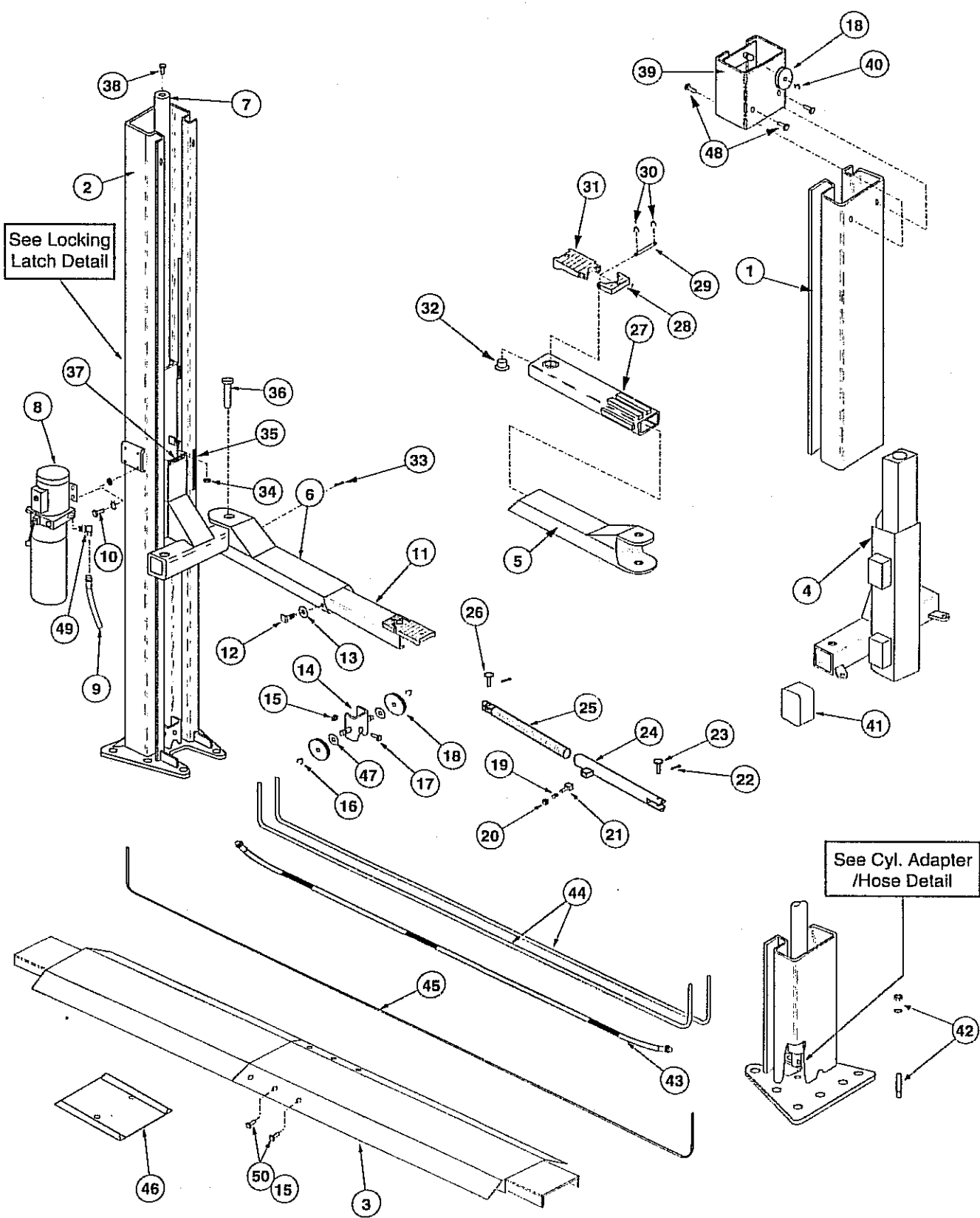
* Used on both Right Front and Left Rear Arm of lift.

** Used on both Left Front and Right Rear Arm of lift.



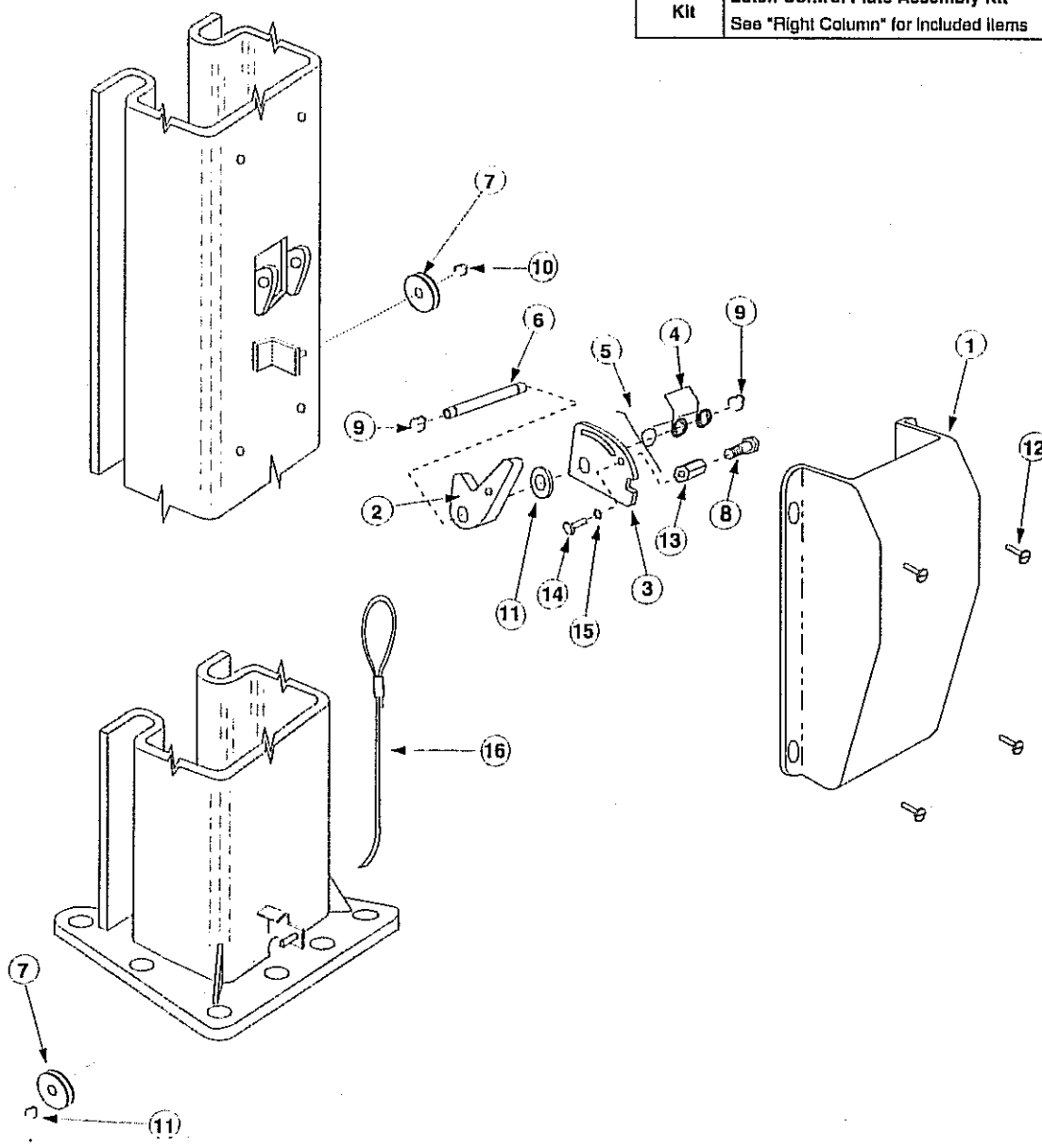
See Locking Latch Detail

See Cyl. Adapter /Hose Detail

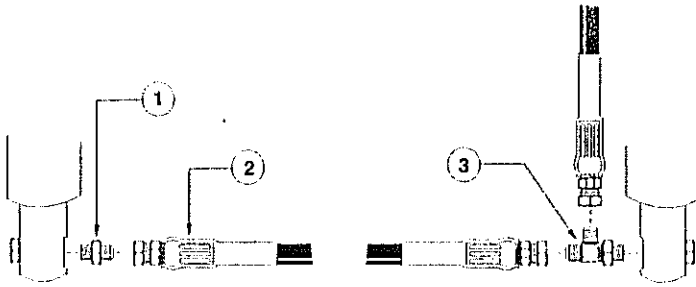


LEFT COLUMN

LOCKING LATCH DETAIL PARTS LIST		
ITEM NO.	DESCRIPTION	SP98 & 88 PART NO.
1	Latch Cover	FJ7451
2	Locking Latch Dog	FJ7382-7
3	Control Plate	FJ7382-5
4	Spring	FJ7382-2
5	Spring	FJ7382-9
6	Latch Shaft	FJ7382-3
7	Locking Latch Sheave	FJ7322
8	Shoulder Bolt 5/16" x 1/2"-1/4"-20NC	1 REQ'D
9	Truarc Kilpring #5304-75 for 3/4" Shaft	2 REQ'D
10	Truarc Kilpring #5304-37 for 3/8" Shaft	2 REQ'D
11	1 1/2" O.D. x .760/.770" I.D. x .045" Mach. Bush.	1 REQ'D
12	5/16" — 18NC x 3/8" Lg. Slotted Pan Hd. Screw	4 REQ'D
13	Coupling Nut 1/4"-20NC	1 REQ'D
14	1/4"-20NC HHCS x 1/2"	1 REQ'D
15	1/4" External Tooth Lockwasher	1 REQ'D
16	Latch Cable	FJ7594-1
Kit	Latch Control Plate Assembly Kit See "Right Column" for Included Items	FJ7594-2



CYLINDER ADAPTER / HOSE DETAIL



CYLINDER ADAPTER/HOSE DETAIL PARTS LIST			
ITEM NO.	DESCRIPTION	SP98 PART NO.	SP88 PART NO.
1	Straight Adapter	FJ7352-3	FJ7352-3
2	Floor Hose	FJ7434	FJ7356
3	Run Tee Adapter	FJ7672	FJ7672

RIGHT COLUMN

LOCKING LATCH DETAIL PARTS LIST

ITEM NO.	DESCRIPTION	SP98 & 88 PART NO.
1	Control Side Cover	FJ7452
2	Locking Latch Dog	FJ7382-7
3	Control Plate	FJ7594-2
4	Spring	FJ7382-2
5	Spring	FJ7382-9
6	Latch Shaft	FJ7382-3
7	Locking Latch Sheave	FJ7322
8	Handle	FJ7382-18
9	Ball Handle	FC134-91
10	Truarc Klipring #5304-75 for 3/4" Shaft	2 REQ'D
11	Truarc Klipring #5304-37 for 3/8" Shaft	2 REQ'D
12	1 1/2" O.D. x .760/.770" I.D. x .045" Mach. Bush.	1 REQ'D
13	5/16" — 18NC x 3/8" Lg. Slotted Pan Hd. Screw	4 REQ'D
14	3/8" - 16NC Hex Jam Nut	1 REQ'D
15	Latch Cable Adjuster	FJ7594-3
16	1/4-20NC HHCS x 1/2"	1 REQ'D
17	1/4" External Tooth Lockwasher	1 REQ'D
18	Latch Cable	FJ7594-1
Kit	Latch Control Plate Assembly Kit Includes #'s (3) (2pcs.), (15) (2-pcs.), (18) (1pc.)	FJ7594-2

