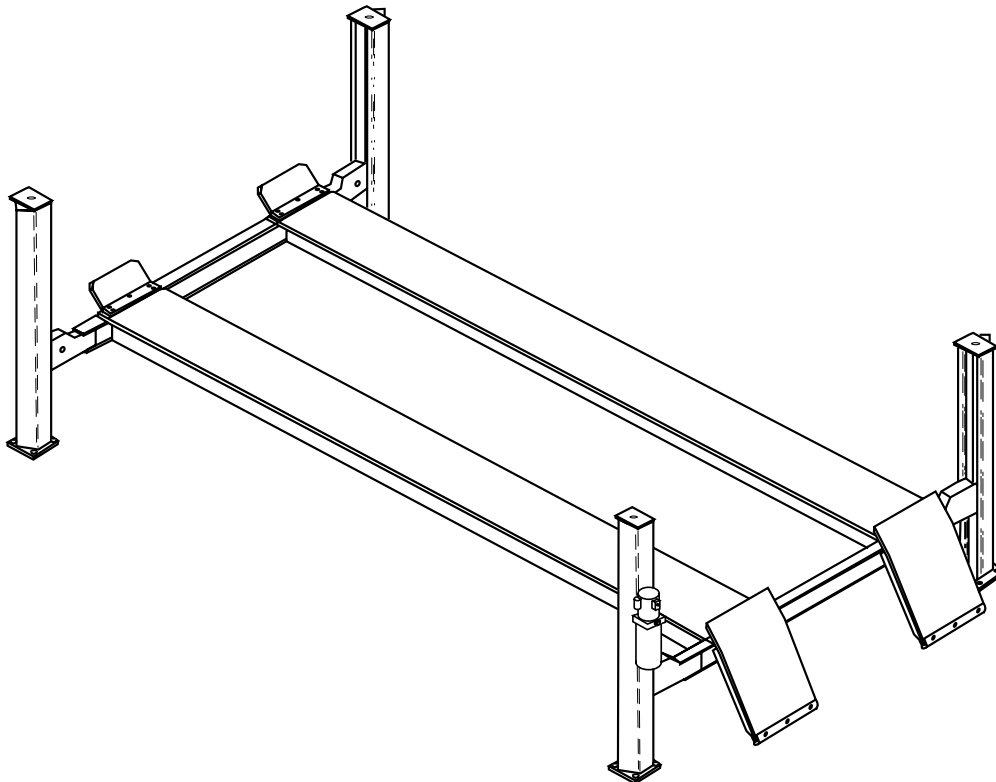




SM300/SM301/SM302/ RFL25

(300 Series)

Four Post Surface Mounted Lift
140" Minimum Wheel Base



P
A
R
T
S

B
R
E
A
K
D
O
W
N

IMPORTANT: When ordering parts or requesting service always give exact model and power unit serial number. Model number is shown on nameplate attached to latch release valve. Power unit serial number is located on side of power unit.

OWNERS RECORD
Complete information
at right and keep in
a safe place.

Date Installed _____

Installed in Bay # _____

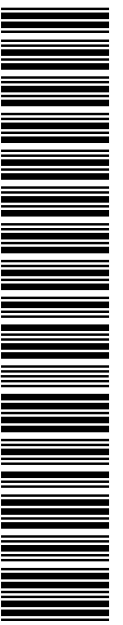
Power Unit Serial # _____

Power Unit Model # _____

Lift Serial # _____

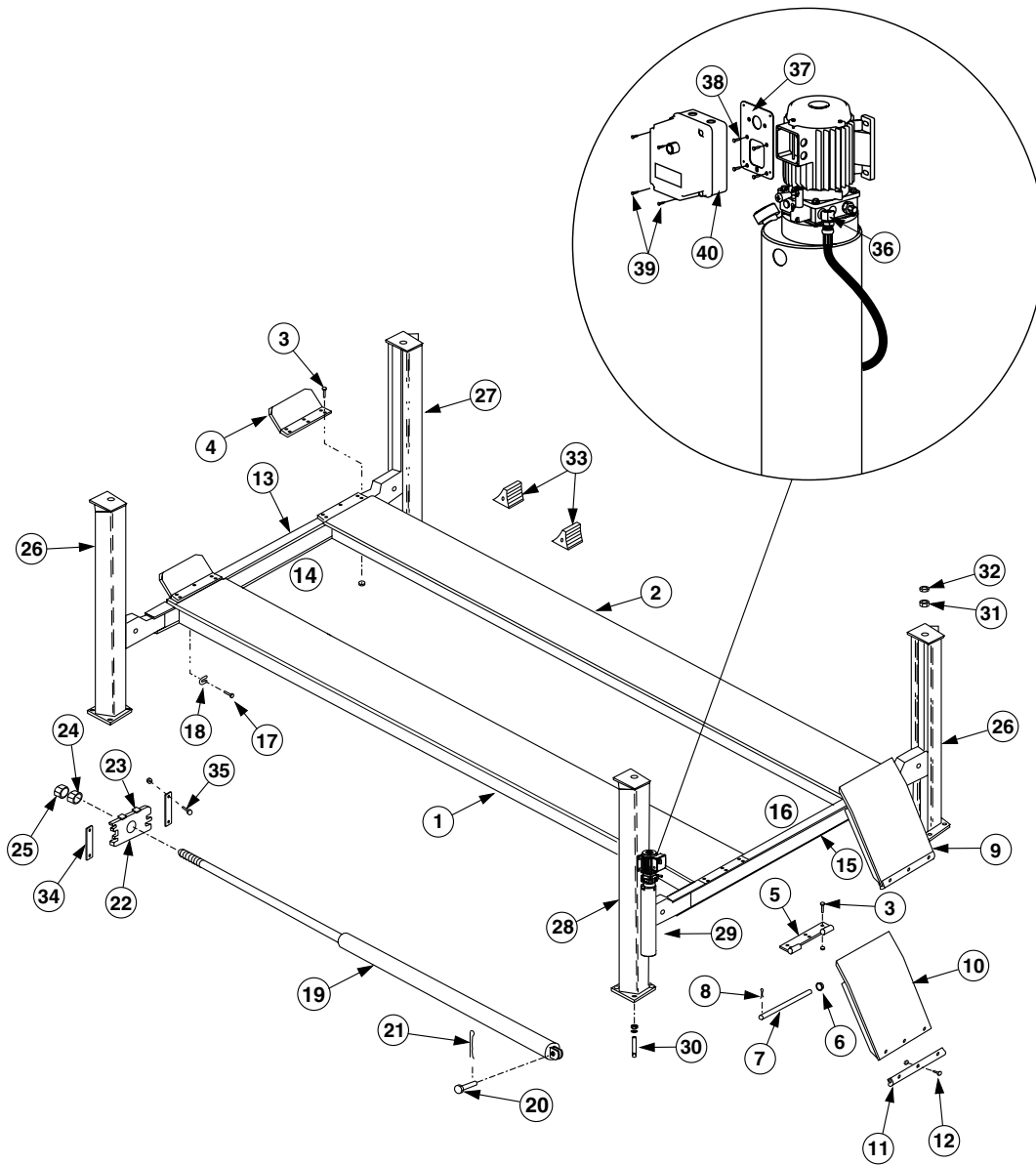
Lift Model # _____

NOTE: For replacement parts -See your nearest Rotary Parts Distributor.



PB2-3-12-3

Rev. A 08/16/2006

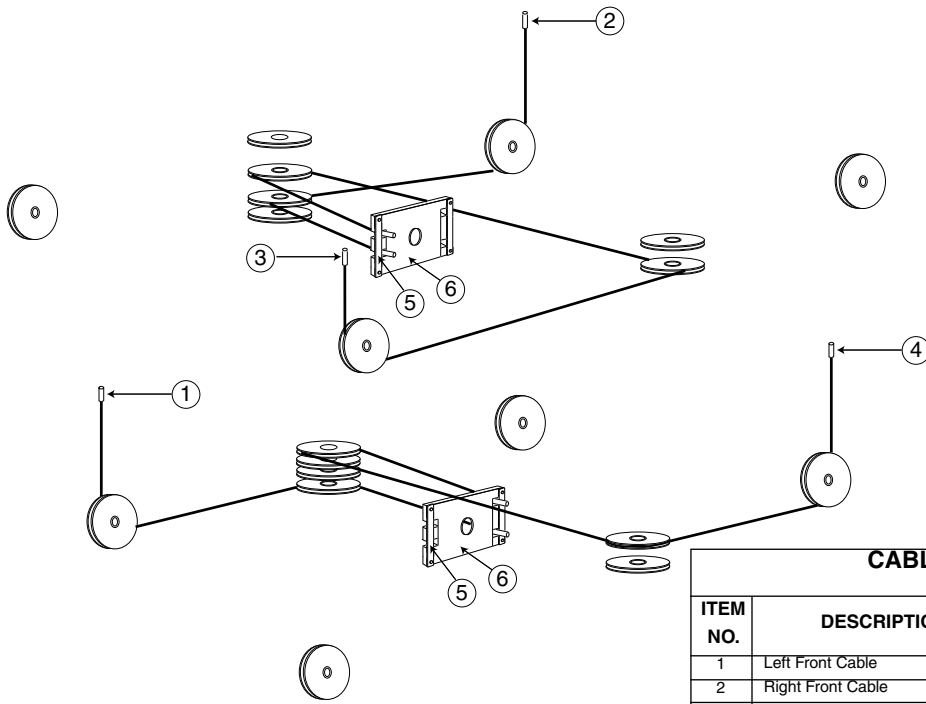


SM300, 301, 302,RFL COMPONENTS

ITEM NO.	DESCRIPTION	PART NO.				ITEM NO.	DESCRIPTION	PART NO.
		SM300	SM301	SM302	RFL			
1	Left Hand Rnwy Assy. (Includes: cylinder; cables; sheaves)	S110217	S110218	S110219	S110220	21	3/16" x 3" Cotter Pin	41253
2	Right Hand Runway Assembly	S110209	S110211	S110213	S110215	22	Cable Pull Bar	FC5225-18
3	5/8" -11NC x 2 1/2" Hex Cap Screw (High Strength)		40344			23	Glide	FC5160-12
	5/8" -11NC McClean-Fogg Nut		40360			24	1 3/4" - 5NC Heavy Hex Nut	40777
4	Wheel Stop		FC5780-6			25	1 3/4" - 5NC Heavy Hex Jam Nut	40778
5	Hinge Weld		FC5780-4			26	Right Hand Column	FC5455
6	5/8" Pushnut Fastener		FC5179-4			27	Left Hand Column	FC5454
7	Hinge Pin		FC5225-39			28	Power Unit Column	FC5456
8	5/32" x 1" Cotter Pin		41202			29	1Ø Power Unit	**P1028/P3028
9	Ramp/Chock Assembly		FC5780-3	*FC5781-7		30	3Ø Power Unit	**P1082/P3082
10	Ramp/Chock Weldment		FC5225-36	*FC5254-14		31	Anchor Bolt	FC5393-3
11	Plastic Slide		FC134-33			32	1 1/8"-7NC Hex Nut	40769
12	#10-24NC x 3/4" Lg. PNHDM S		40030			33	1 1/8"-7NC Hex Jam Nut	40770
	#10-24NC Hex Nut		40630			34	Rear Wheel Chock	FC337
13	Front Yoke Weld		S120558	*S120564		35	Retainer Bar	FC5225-72
14	Front Yoke Assembly (Includes latches)		S120560	*S120566		36	1/4"-20NC x 2 1/2" Lg. HHCS and Lock Nut	4 Req'd.
15	Rear Yoke Weld		S120559	*S120565		37	Elbow	P1028-4
16	Rear Yoke Assembly (Includes latches)		S120561	*S120567		38	Adapter Plate	FA132-2
17	3/4"-10NC x 2" Lg. Flange Cap Screw (Grade 8 min.)		40443			39	5x.8x8mm FHMS	4 Req'd
18	Plastic Shim		FJ716-6			40	#8-32 NC x1/2"LG	4 Req'd
19	Hydraulic Cylinder		FC5761				208V	FA7132
20	Clevis Pin		FC5225-23				230V	FA7133
							440-480V	FA7134

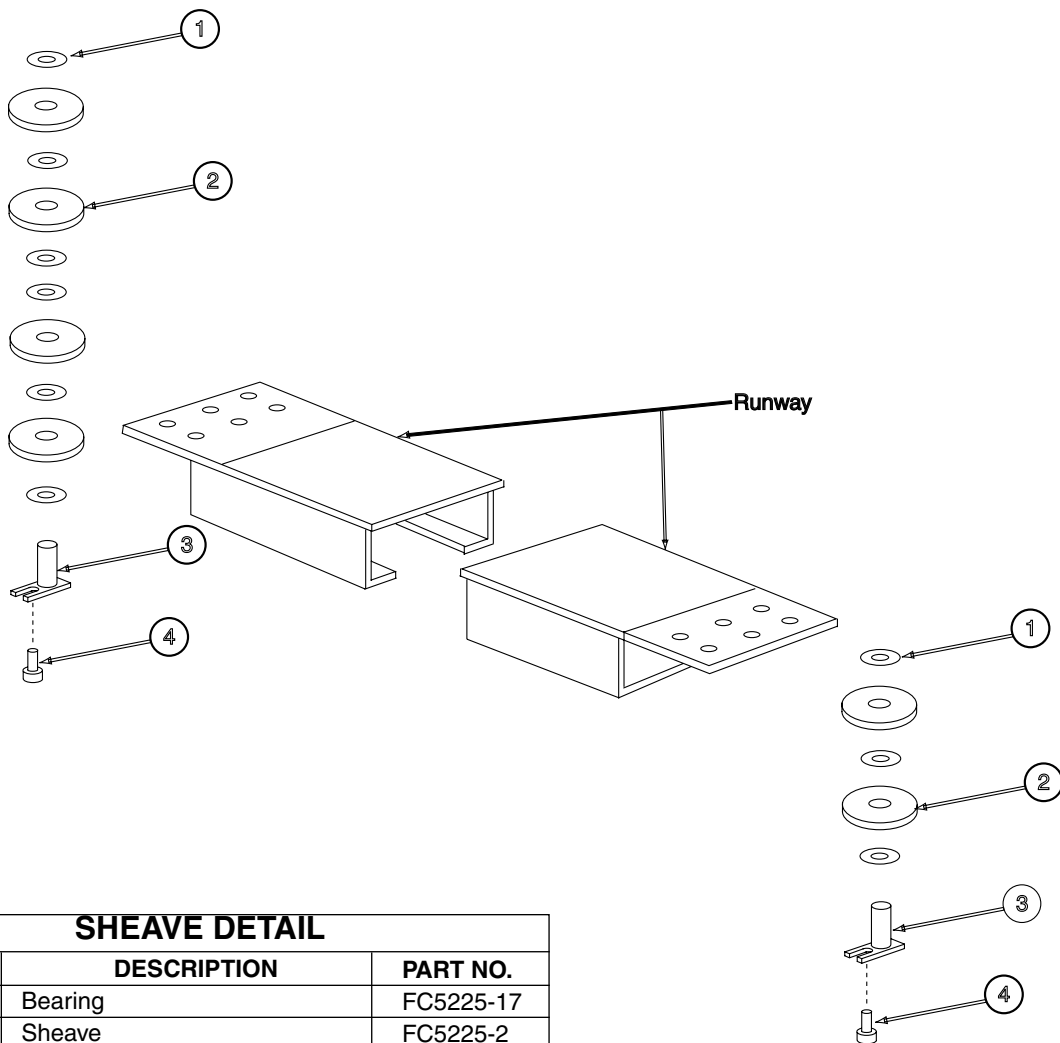
* INDICATES RFL PART

**Two different power units were used. Please verify your exact model number before ordering replacement parts.



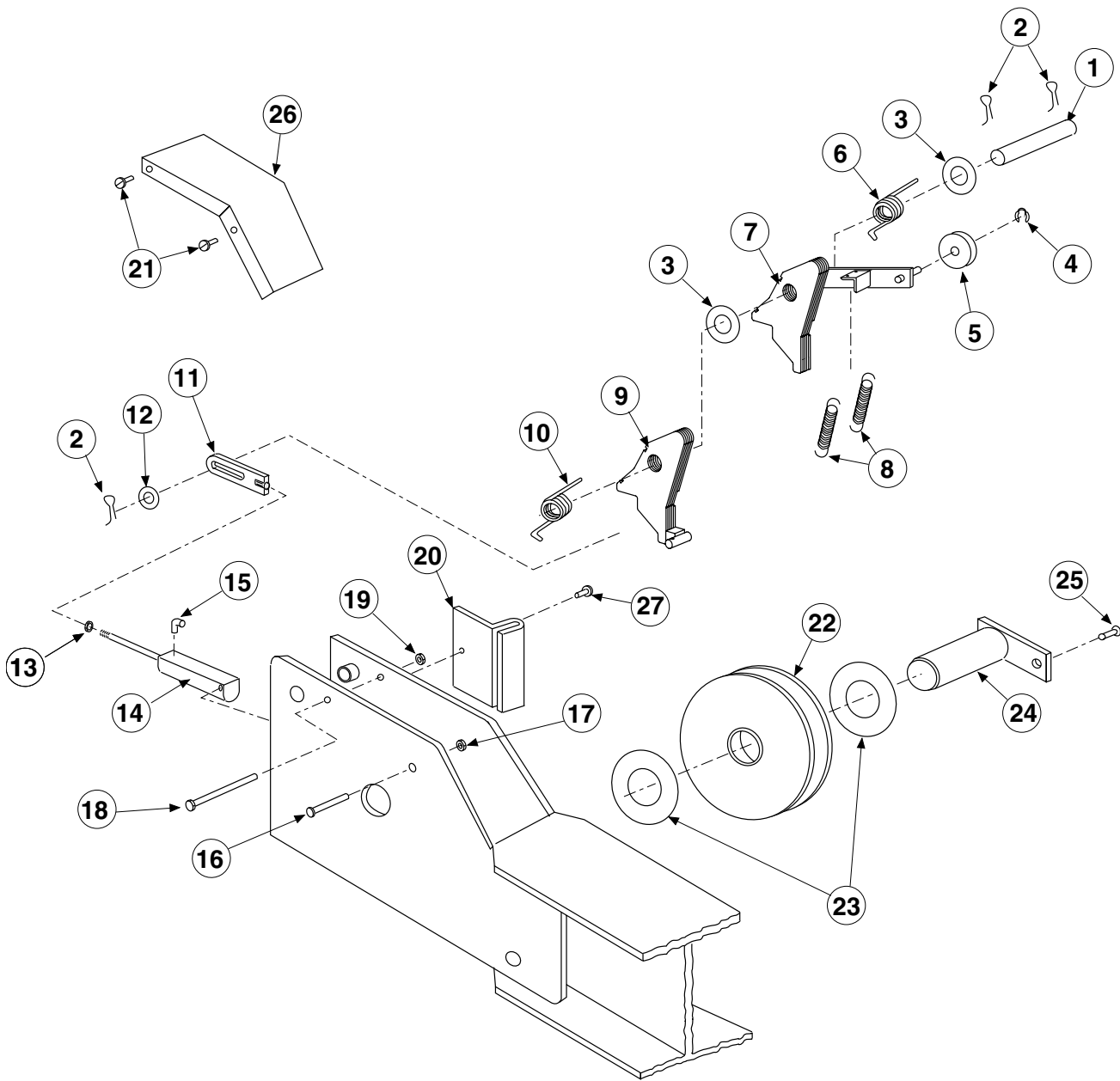
CABLE ROPING DETAIL

ITEM NO.	DESCRIPTION	PART NO.			
		SM300	SM301	SM302	RFL
1	Left Front Cable	FC5225-4	FC5225-88	FC5225-94	FC5254-3
2	Right Front Cable	FC5225-5	FC5225-89	FC5225-93	FC5254-4
3	Left Rear Cable	FC5225-6	FC5225-92	FC5225-92	FC5254-5
4	Right Rear Cable	FC5225-7	FC5225-91	FC5225-91	FC5254-6
5	Pull Bar Hold	FC5225-72			
6	Cable Pull Bar	FC5225-18			



SHEAVE DETAIL

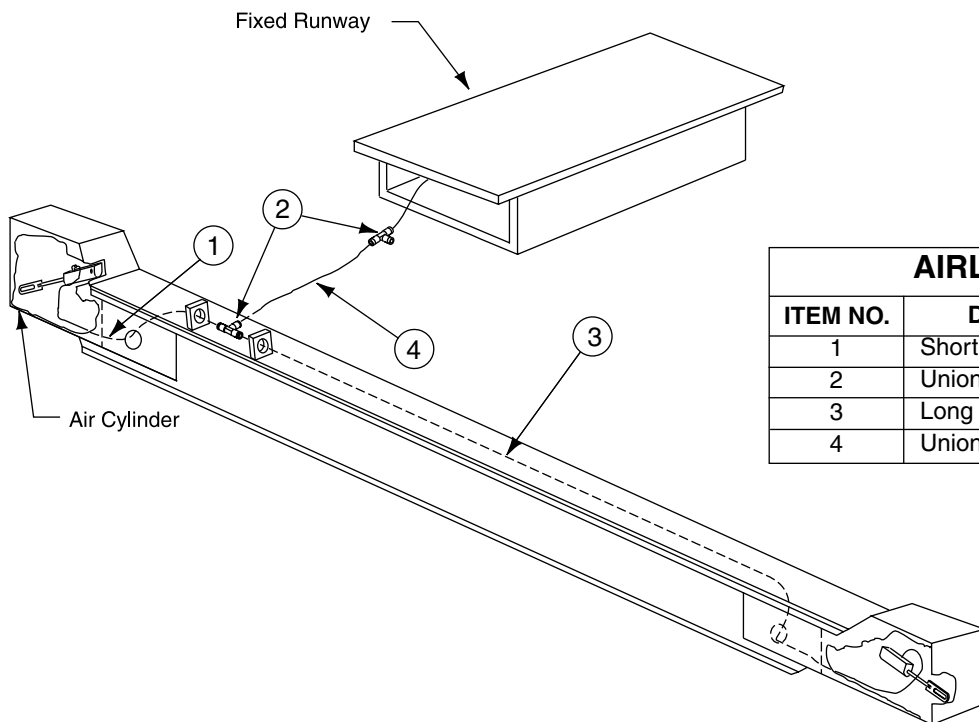
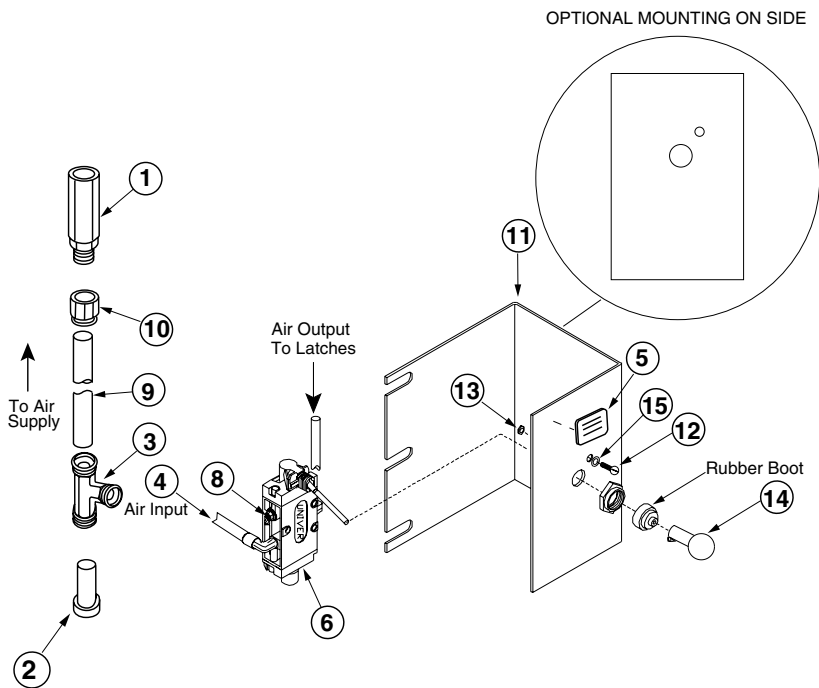
ITEM NO.	DESCRIPTION	PART NO.
1	Bearing	FC5225-17
2	Sheave	FC5225-2
3	Sheave Pin Assembly	FC5225-3
4	5/16"-18NC x 1/2" HSBHCS	40225



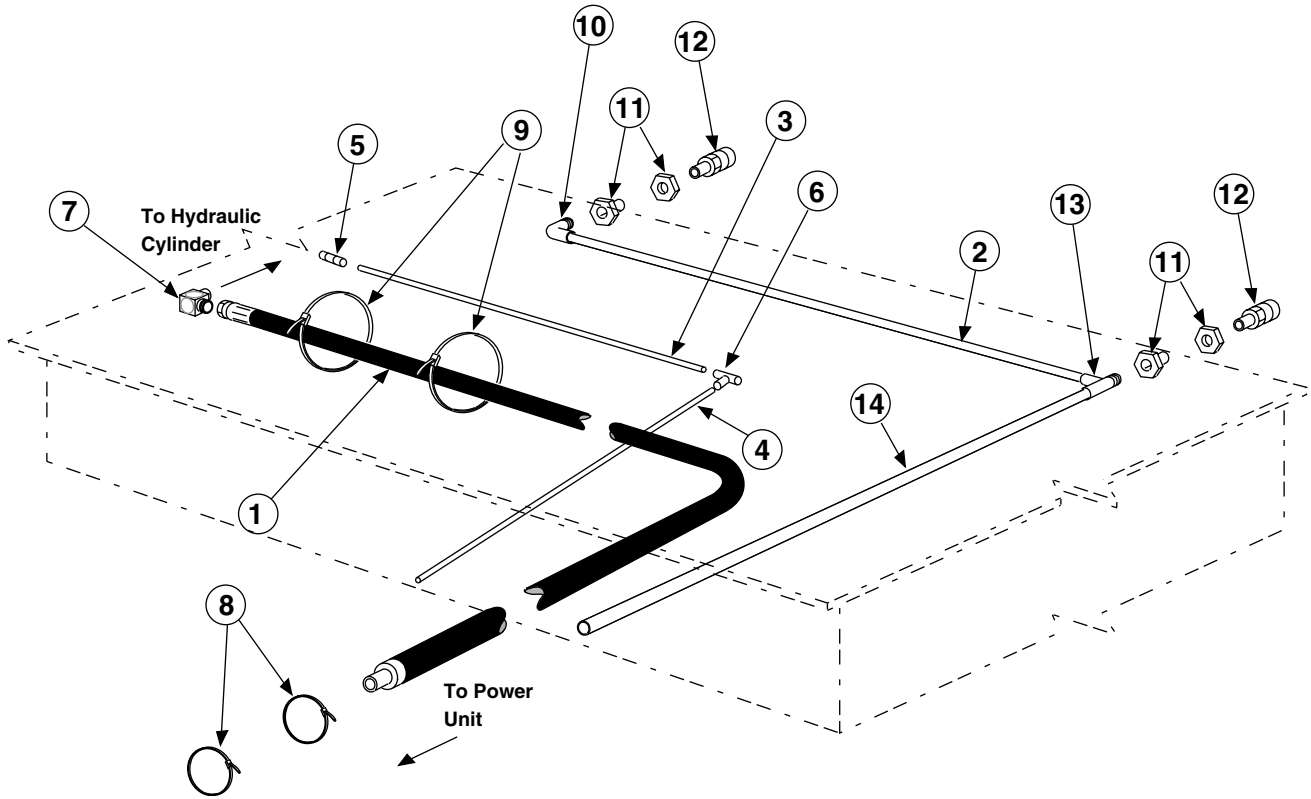
YOKE END DETAIL

ITEM	DESCRIPTION	PART NO.	ITEM	DESCRIPTION	PART NO.
1	Latch Shaft	FC5224-17	15	Elbow	FC5224-39
2	1/8" x 1 1/4" Cotter Pin	41201	16	1/4" - 20NC x 1 1/2" Lg. bolt	2 req'd.
3	Bearing	FC5301-98	17	1/4" - 20NC Nylon Insert Lock Nut	2 req'd.
4	Klip Ring for 3/8" Shaft	41410	18	1/4" - 20NC Hex CS x 4 1/2" Lg.	40116
5	Slack Cable Roller	FC5224-65	19	1/4" - 20NC Hex Jam Nut	40640
6	Left Hand Torsion Spring	S120562	20	Plastic Slider	FC5301-97
7	Slack Cable Locking Latch	L.H. FC5224-71 R.H. FC5224-70	21	Pinetree Retainer	FC5185-69
8	Extension Spring	FC522-25	22	Sheave	FC5225-2
9	Locking Latch	L.H. FC5763 R.H. FC5762	23	Bearing	FC548-5
10	Right Hand Torsion Spring	S120563	24	Sheave Pin Assembly	FC5224-21
11	Slotted Bracket	FC5224-35	25	5/16"-18NC HSBHCS x 1/2" Lg.	40225
12	3/8" Cut Washer	40820	26	Yoke End Cover	FC5224-30
13	1/4" - 28NF Hex Jam Nut	40622	27	1/4" - 20NC HHTS x 1/2" Lg.	40067
14	Air Cylinder	FC5706-6	28	Sheave Spacer	S130161

AIR LOCK RELEASE VALVE DETAIL		
ITEM NO.	DESCRIPTION	PART NO.
1	Valve	FA3134-12
2	3/8" Plug	FA2230-16
3	Union Tee	FA2242-1
4	1/4" Tubing (50' roll)	FA2230-2
5	Nameplate	NP280
6	Control Assembly	T140073
7	Elbow	FC5341-90
8	Filter/Muffler	T140075
9	3/8" Tubing (40 Ft. Roll)	FA2230-15
10	Female Connector	FA3134-13
11	Air Valve Bracket	S120457
12	#8-32NC x 1-1/2" Screw	40007
13	#8-32 Nut	40637
14	Handle	T140119
15	#8 Flat Washer	40788



AIRLINE DETAIL		
ITEM NO.	DESCRIPTION	PART NO.
1	Short Airline	FC5224-42
2	Union Tee	FC5225-46
3	Long Airline	FC5224-41
4	Union Tube	FC5225-54



TUBING DETAIL

ITEM	DESCRIPTION	PART NO.			ITEM	DESCRIPTION	PART NO.
		SM300	SM301	SM302			
1	Hose	FC5225-16	FC5426-4	FC5427-4	9	Cable Tie	FJ7108-5
2	Long Runway Tube	FC5386-2	FC5441-2	FC5442-2	10	Male Elbow	FC5225-26
3	Main Tube	FC5426-5			11	Connector	FC147-7
4	1/4" Supply Tube	FC5225-56			12	Coupler	FC147-1
5	Union	FC5225-98			13	Male Run Tee	FC147-15
6	Union Tee	FC5225-46			14	3/8" Supply Tube	FC147-3
7	Elbow Adapter	FJ7224					FC147-4
8	Wire Tie						

Notes:

DATE REV. CHANGE MADE

07-27-05 - Issue (300 Series) Literature
08-16-06 A Updated power unit part numbers and added barcode

Rotary World Headquarters

2700 Lanier Drive
Madison, IN 47250, USA
www.rotarylif.com

North America Contact Information

Tech. Support: p 800.445.5438
f 800.578.5438
e userlink@rotarylif.com
Sales: p 800.640.5438
f 800.578.5438
e userlink@rotarylif.com

World Wide Contact Information

World Headquarters/USA: 1.812.273.1622
Canada: 1.905.812.9920
European Headquarters/Germany: +49.771.9233.0
United Kingdom: +44.178.747.7711
Australasia: +60.3.7660.0285
Latin America / Caribbean: +54.3488.431.608
Middle East / Northern Africa: +49.771.9233.0

© Rotary®, Printed in U.S.A., All Rights Reserved. Unless otherwise indicated, ROTARY, DOVER and all other trademarks are property of Dover Corporation and its affiliates.



A DOVER COMPANY

