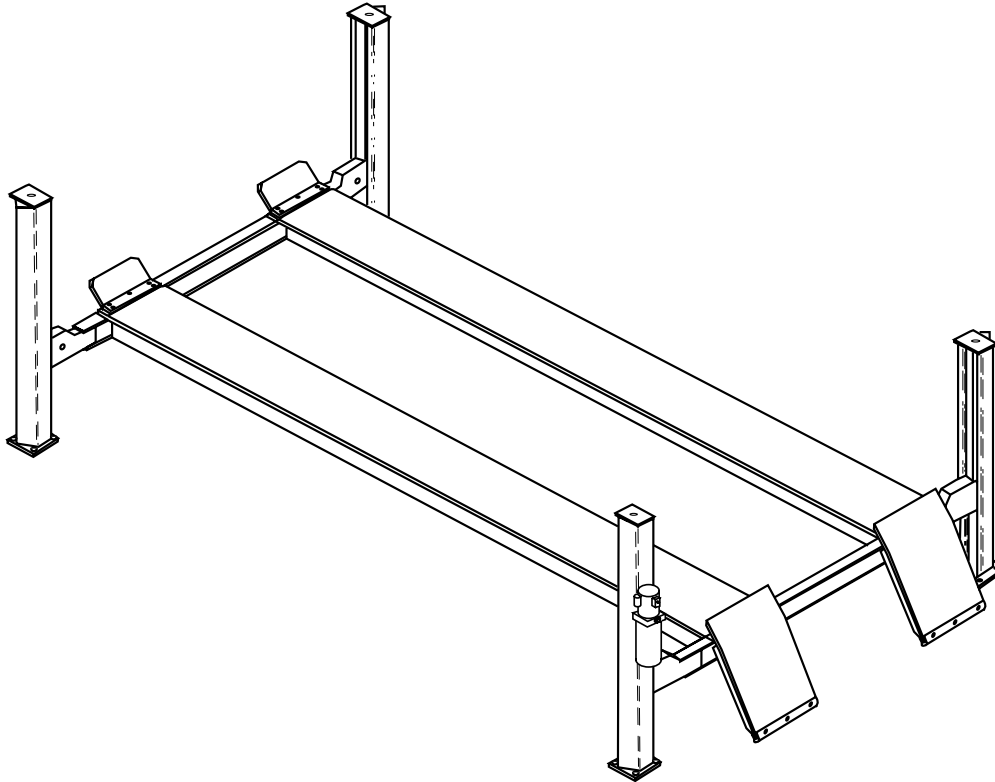




SM30/RFL25

Four Post Surface Mounted Lift
140" Minimum Wheel Base



P
A
R
T
S

B
R
E
A
K
D
O
W
N

IMPORTANT: When ordering parts or requesting service always give exact model and power unit serial number. Model number is shown on nameplate attached to latch release valve. Power unit serial number is located on side of power unit.

OWNERS RECORD
Complete information
at right and keep in
a safe place.

Date Installed _____

Installed in Bay # _____

Power Unit Serial # _____

Power Unit Model # _____

Lift Serial # _____

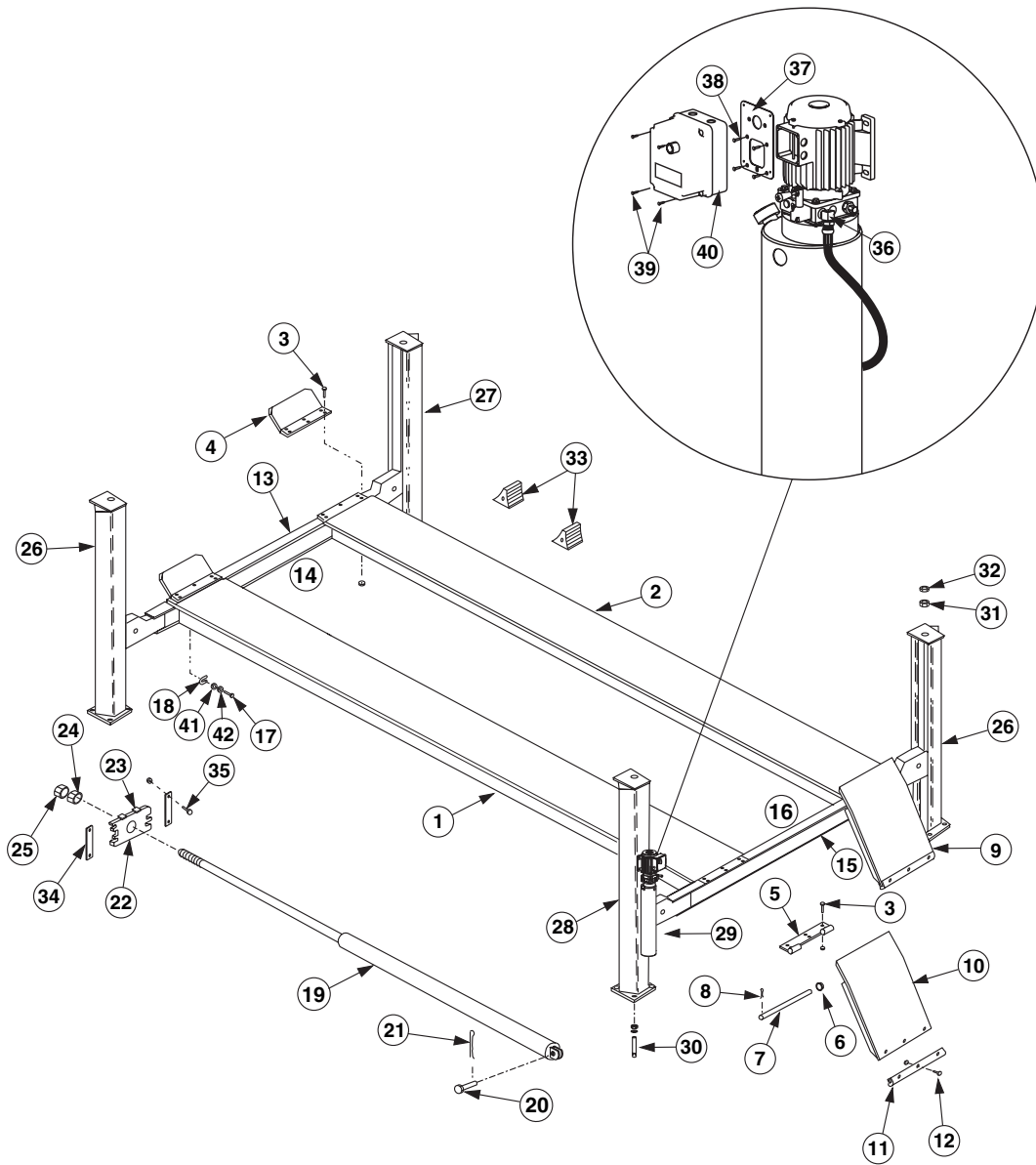
Lift Model # _____

NOTE: For replacement parts -See your nearest Rotary Parts Distributor.



PB2-3-12-4

Rev. B 6/19/2008

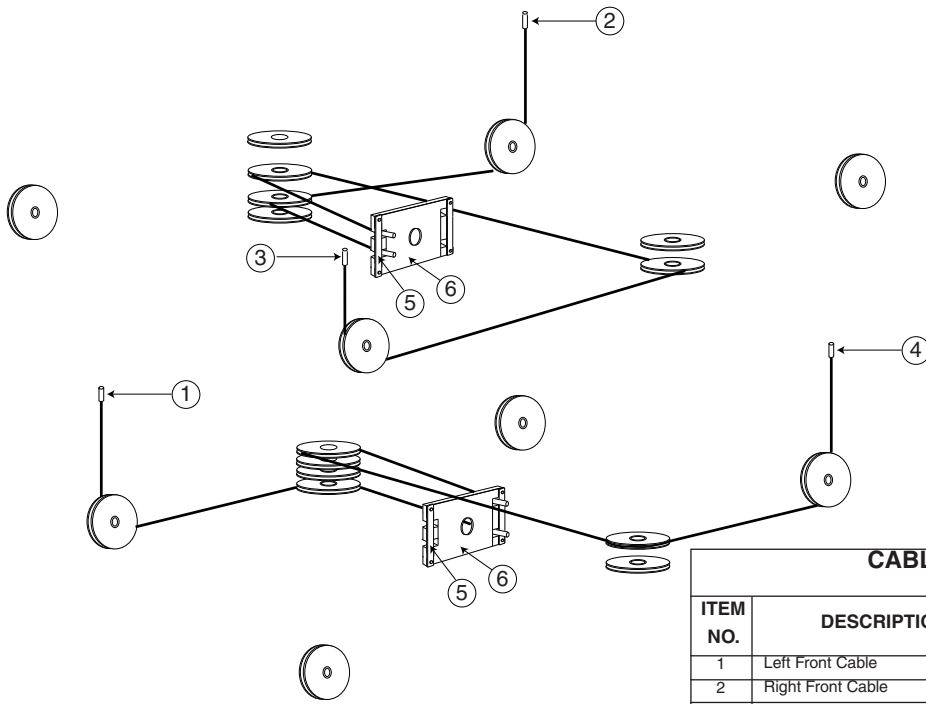


SM30/RFL25 COMPONENTS

ITEM NO.	DESCRIPTION	PART NO.				ITEM NO.	DESCRIPTION	PART NO.
		SM30S	SM30L	SM30EL	RFL25			
1	Left Hand Rnwy Assy. (Includes: cylinder; cables; sheaves)	S110363	S110362	S110361	S110364	21	3/16" x 3" Cotter Pin	41253
2	Right Hand Runway Assembly	S110209	S110211	S110213	S110215	22	Cable Pull Bar	FC5225-18
3	5/8" -11NC x 2 1/2" Hex Cap Screw (High Strength)		40344			23	Glide	FC5160-12
	5/8" -11NC McClean-Fogg Nut		40360			24	1 3/4" - 5NC Heavy Hex Nut	40777
4	Wheel Stop		FC5780-6			25	1 3/4" - 5NC Heavy Hex Jam Nut	40778
5	Hinge Weld		FC5780-4			26	Right Hand Column	FC5455-1
6	5/8" Pushnut Fastener		FC5179-4			27	Left Hand Column	FC5454-1
7	Hinge Pin		FC5225-39			28	Power Unit Column	FC5456
8	5/32" x 1" Cotter Pin		41202			29	1Ø Power Unit	**P1028/P3028
9	Ramp/Chock Assembly		FC5780-3	*FC5781-7			3Ø Power Unit	**P1082/P3082
10	Ramp/Chock Weldment		FC5225-36	*FC5254-14		30	Anchor Bolt	FC5393-3
11	Plastic Slide		FC134-33			31	1 1/8"-7NC Hex Nut	40769
12	#10-24NC x 3/4" Lg. PNHDMS		40030			32	1 1/8"-7NC Hex Jam Nut	40770
	#10-24NC Hex Nut		40630			33	Rear Wheel Chock	FC337
13	Front Yoke Weld		S120819	*S120847		34	Retainer Bar	FC5225-72
14	Front Yoke Assembly (Includes latches)		S110359	*S110365		35	1/4"-20NC x 2 1/2" Lg. HHCS and Lock Nut	4 Req'd.
15	Rear Yoke Weld		S120820	*S120848		36	Elbow	P1028-4
16	Rear Yoke Assembly (Includes latches)		S110360	*S110366		37	Adapter Plate	FA132-2
17	3/4"-10NC x 2" Lg. HHCS (Grade 8 min.)		40426			38	5x.8x8mm FHMS	4 Req'd
18	Plastic Shim		FJ716-6			39	#8-32 NC x1/2"LG	4 Req'd
19	Hydraulic Cylinder		FC5761			40	Control Box 3 PH.	FA7163
20	Clevis Pin		FC5225-23			41	3/4" Flat Washer	40123
						42	3/4" Lock Washer	41000

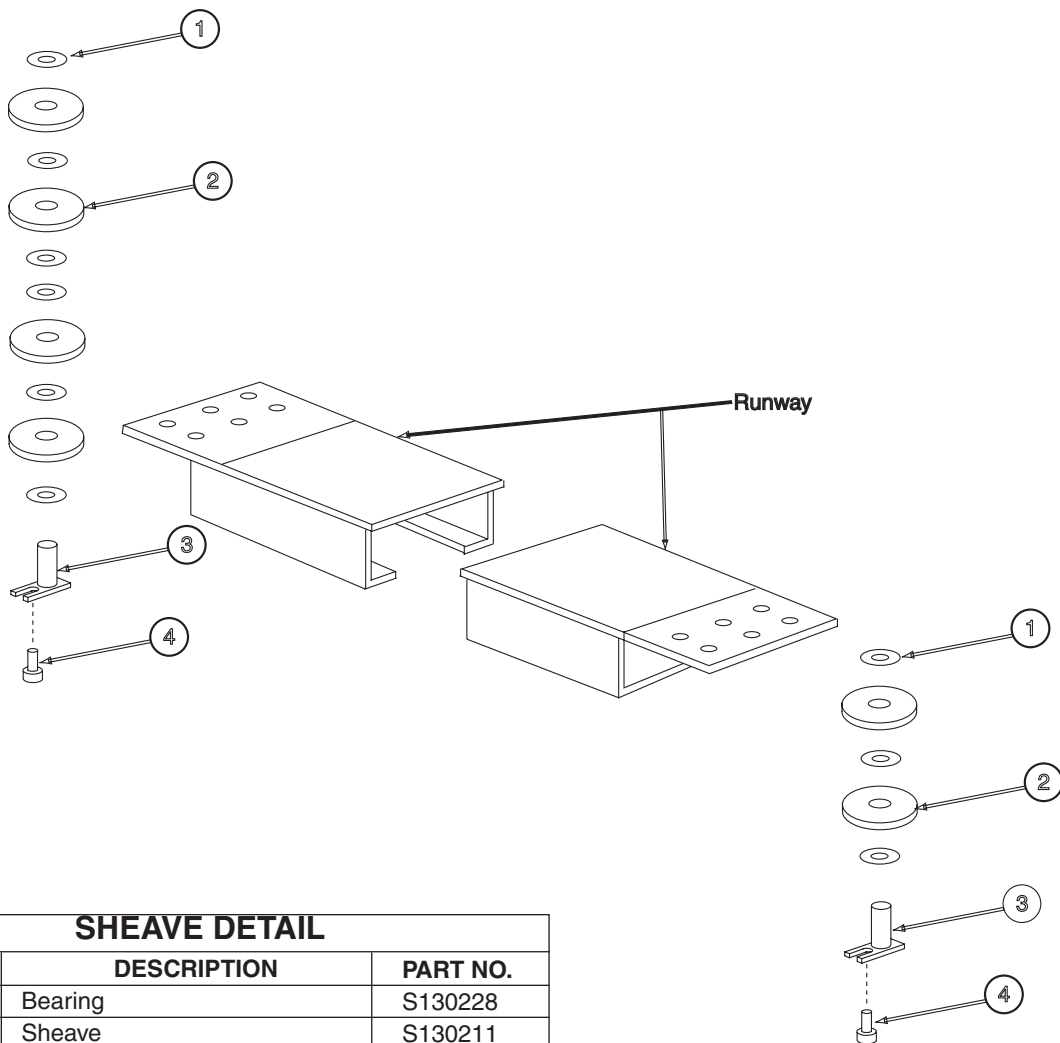
* INDICATES RFL PART

**Two different power units were used. Please verify your exact model number before ordering replacement parts.



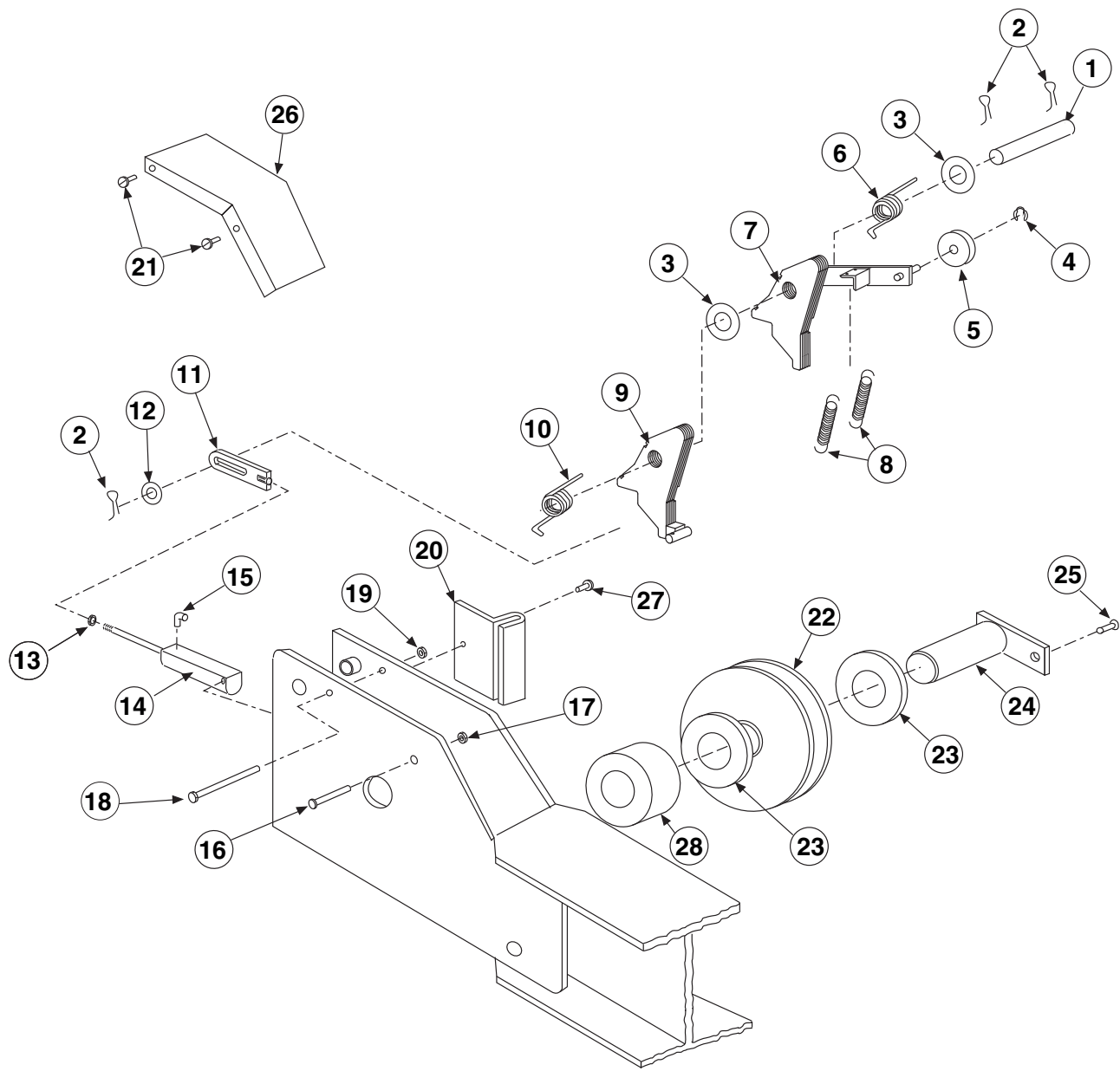
CABLE ROPING DETAIL

ITEM NO.	DESCRIPTION	PART NO.			
		SM30S	SM30L	SM30EL	RFL25
1	Left Front Cable	S130214	S130218	S130222	S130224
2	Right Front Cable	S130215	S130219	S130223	S130225
3	Left Rear Cable	S130216	S130220	S130220	S130226
4	Right Rear Cable	S130217	S130221	S130221	S130227
5	Pull Bar Hold	FC5225-72			
6	Cable Pull Bar	FC5225-18			



SHEAVE DETAIL

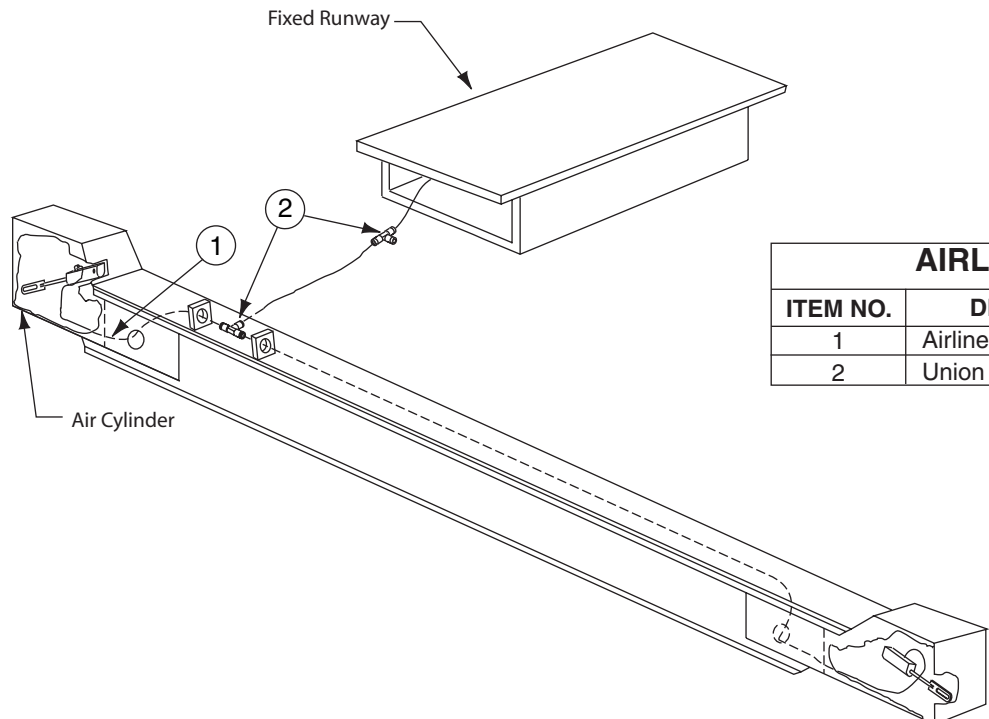
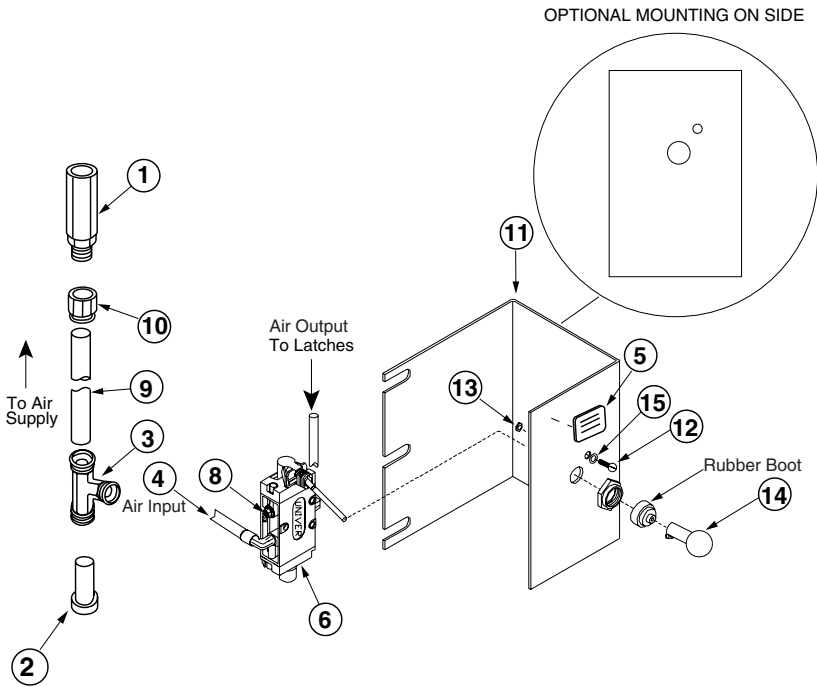
ITEM NO.	DESCRIPTION	PART NO.
1	Bearing	S130228
2	Sheave	S130211
3	Sheave Pin Assembly	S120831
4	5/16"-18NC x 1/2" HSBHCS	40225



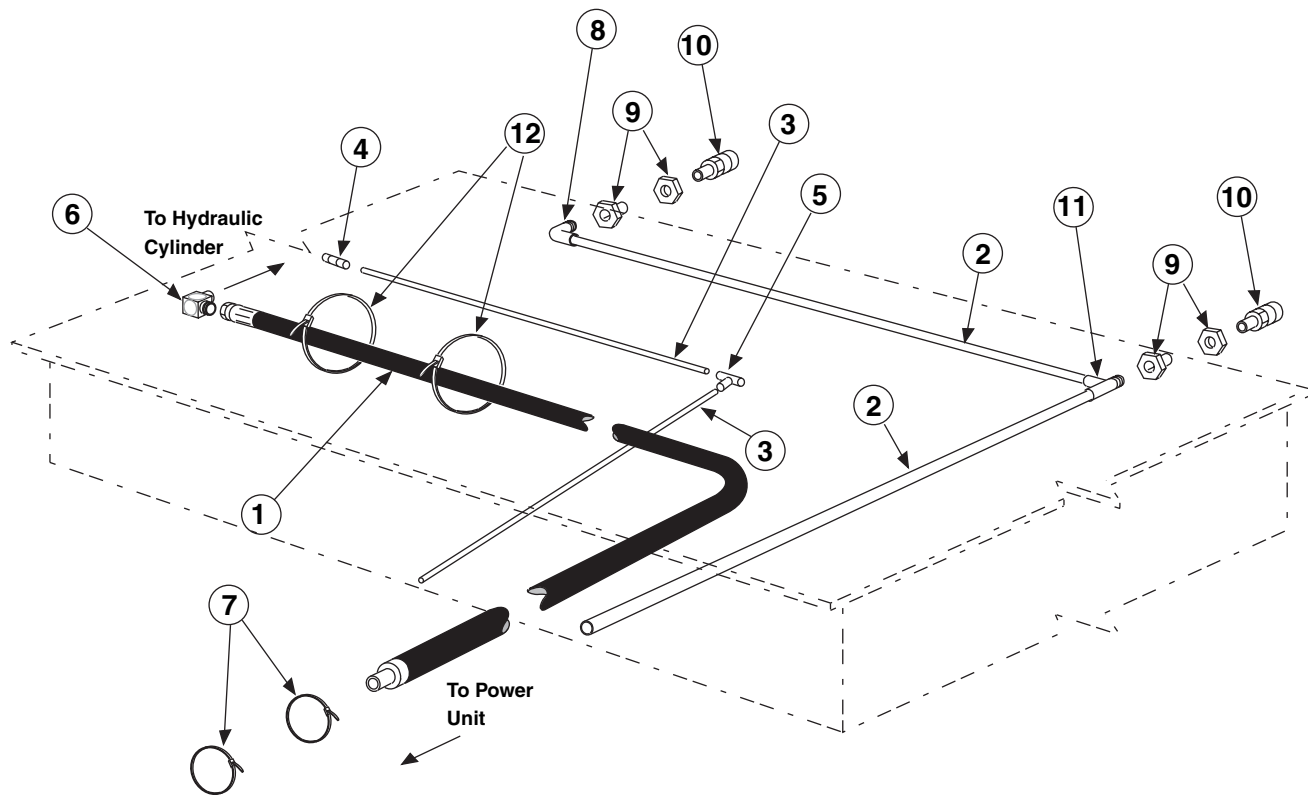
YOKE END DETAIL

ITEM	DESCRIPTION	PART NO.	ITEM	DESCRIPTION	PART NO.
1	Latch Shaft	FC5224-17	15	Elbow	FC5224-39
2	1/8" x 1 1/4" Cotter Pin	41201	16	1/4" - 20NC x 1 1/2" Lg. bolt	2 req'd.
3	Bearing	FC5301-98	17	1/4" - 20NC Nylon Insert Lock Nut	2 req'd.
4	Klip Ring for 3/8" Shaft	41410	18	1/4" - 20NC Hex CS x 4 1/2" Lg.	40116
5	Slack Cable Roller	FC5224-65	19	1/4" - 20NC Hex Jam Nut	40640
6	Left Hand Torsion Spring	S120562	20	Plastic Slider	FC5301-97
7	Slack Cable Locking Latch	L.H. FC5224-71 R.H. FC5224-70	21	Pinetree Retainer	FC5185-69
8	Extension Spring	FC522-25	22	Sheave	S130211
9	Locking Latch	L.H. FC5763 R.H. FC5762	23	Bearing	S130229
10	Right Hand Torsion Spring	S120563	24	Sheave Pin Assembly	S120828
11	Slotted Bracket	FC5224-35	25	5/16"-18NC HSBHCS x 1/2" Lg.	40225
12	3/8" Cut Washer	40820	26	Yoke End Cover	FC5224-30
13	1/4" - 28NF Hex Jam Nut	40622	27	1/4" - 20NC HHTS x 1/2" Lg.	40067
14	Air Cylinder	FC5706-6	28	Sheave Spacer	S130210

AIR LOCK RELEASE VALVE DETAIL		
ITEM NO.	DESCRIPTION	PART NO.
1	Valve	FA3134-12
2	3/8" Plug	FA2230-16
3	Union Tee	FA2242-1
4	1/4" Tubing (50' roll)	FA2230-2
5	Nameplate	NP280
6	Control Assembly	T140073
7	Elbow	FC5341-90
8	Filter/Muffler	T140075
9	3/8" Tubing (40 Ft. Roll)	FA2230-15
10	Female Connector	FA3134-13
11	Air Valve Bracket	S120457
12	#8-32NC x 1-1/2" Screw	40007
13	#8-32 Nut	40637
14	Handle	T140119
15	#8 Flat Washer	40788



AIRLINE DETAIL		
ITEM NO.	DESCRIPTION	PART NO.
1	Airline	16075
2	Union Tee	FC5225-46



TUBING DETAIL

ITEM	DESCRIPTION	PART NO.			ITEM	DESCRIPTION	PART NO.
		SM30S	SM30L	SM30EL			
1	Hose	FC5225-16	FC5426-4	FC619	8	Male Elbow	FC147-7
2	Long Runway Tube	16080	16080	16080	9	Connector	FC147-1
3	Main Tube	FA2230-2			10	Coupler	FC147-15
4	Union	FC5225-98			11	Male Run Tee	FC147-3
5	Union Tee	FC5225-46			12	Wire Tie	FC5225-26
6	Elbow Adapter	FJ7224					
7	Cable Tie	FJ7108-5					

Notes:

DATE REV. CHANGE MADE
10-3-07 - Issue Literature

Rotary World Headquarters

2700 Lanier Drive
Madison, IN 47250, USA
www.rotarylif.com

North America Contact Information

Tech. Support: p 800.445.5438
f 800.578.5438
e userlink@rotarylif.com
Sales: p 800.640.5438
f 800.578.5438
e userlink@rotarylif.com

World Wide Contact Information

World Headquarters/USA: 1.812.273.1622
Canada: 1.905.812.9920
European Headquarters/Germany: +49.771.9233.0
United Kingdom: +44.178.747.7711
Australasia: +60.3.7660.0285
Latin America / Caribbean: +54.3488.431.608
Middle East / Northern Africa: +49.771.9233.0

© Rotary®, Printed in U.S.A., All Rights Reserved. Unless otherwise indicated, ROTARY, DOVER and all other trademarks are property of Dover Corporation and its affiliates.



A **DOVER** COMPANY

