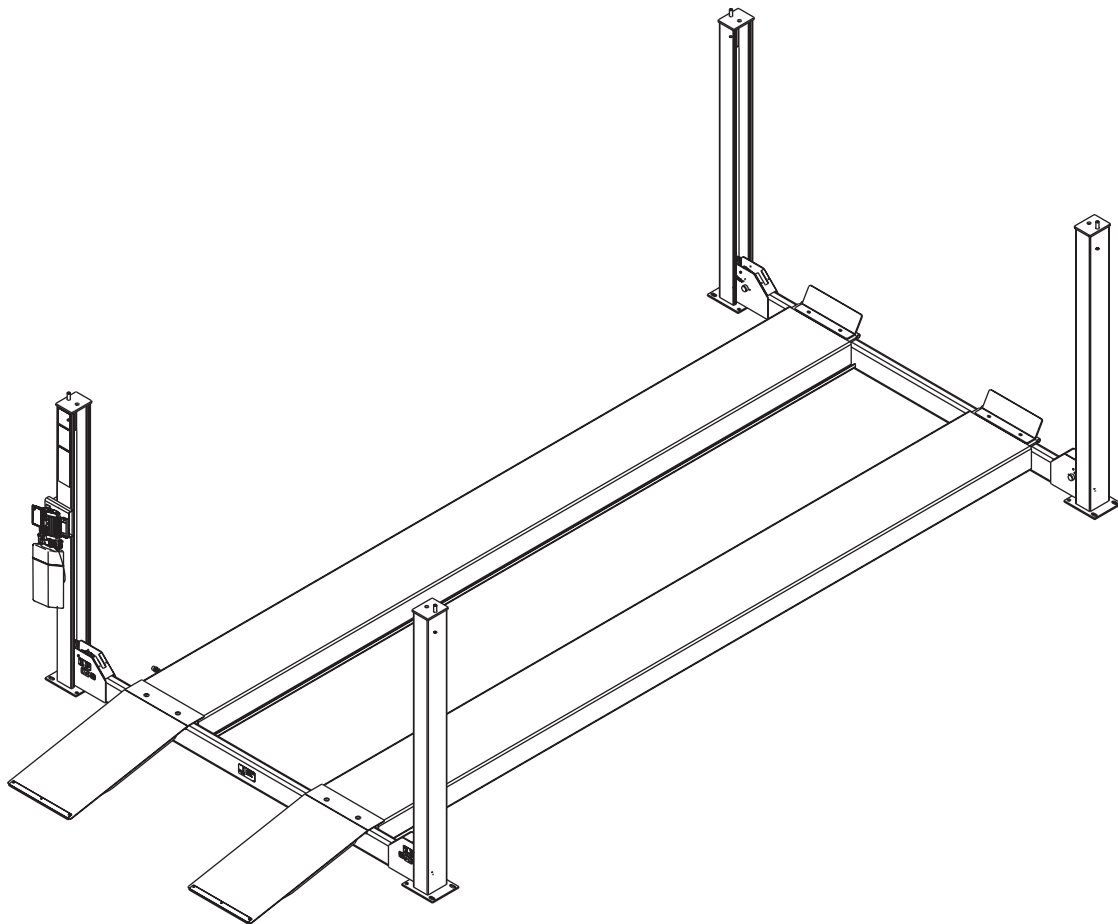




SM181/181-100

PARTS
BREAKDOWN

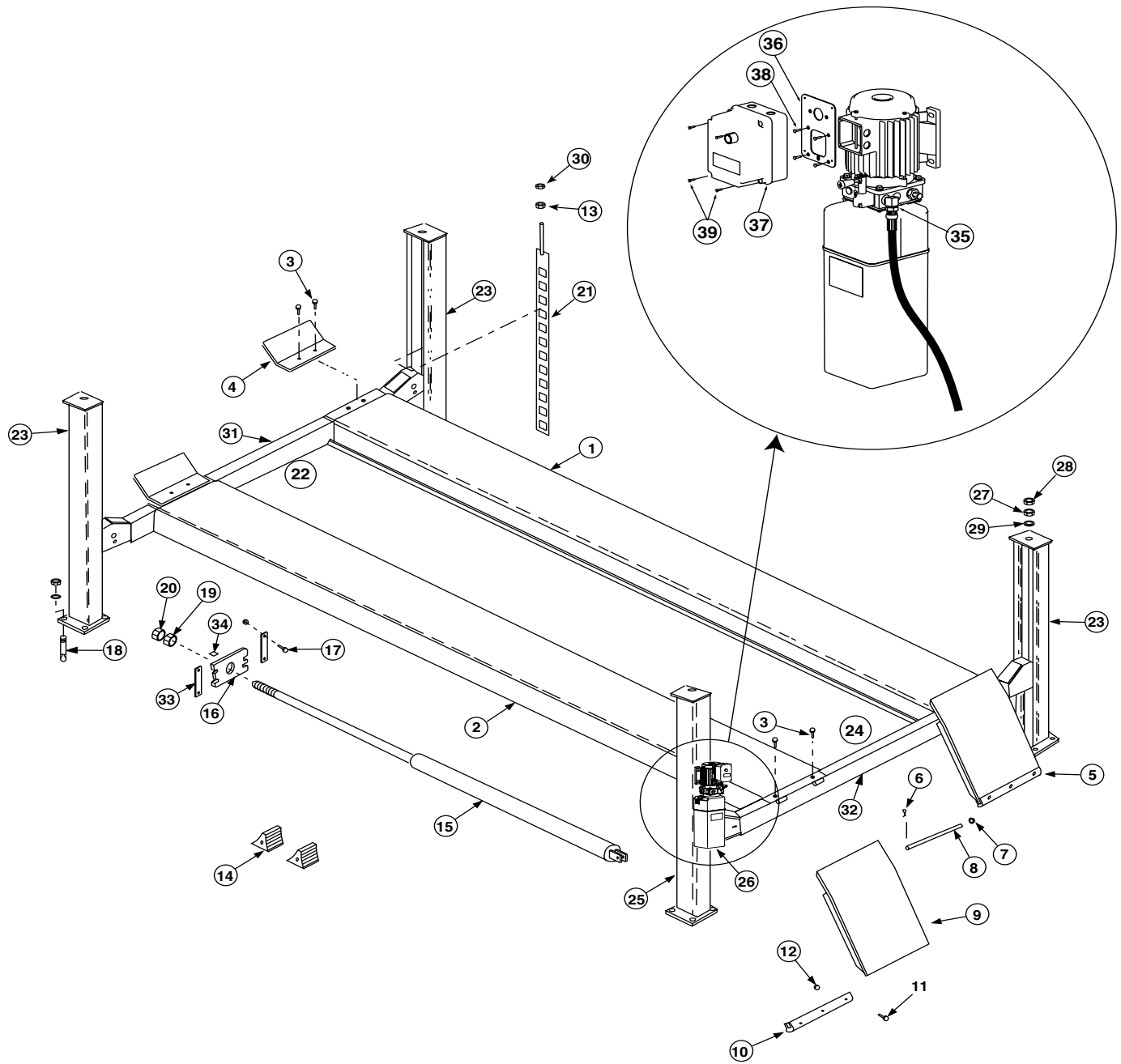


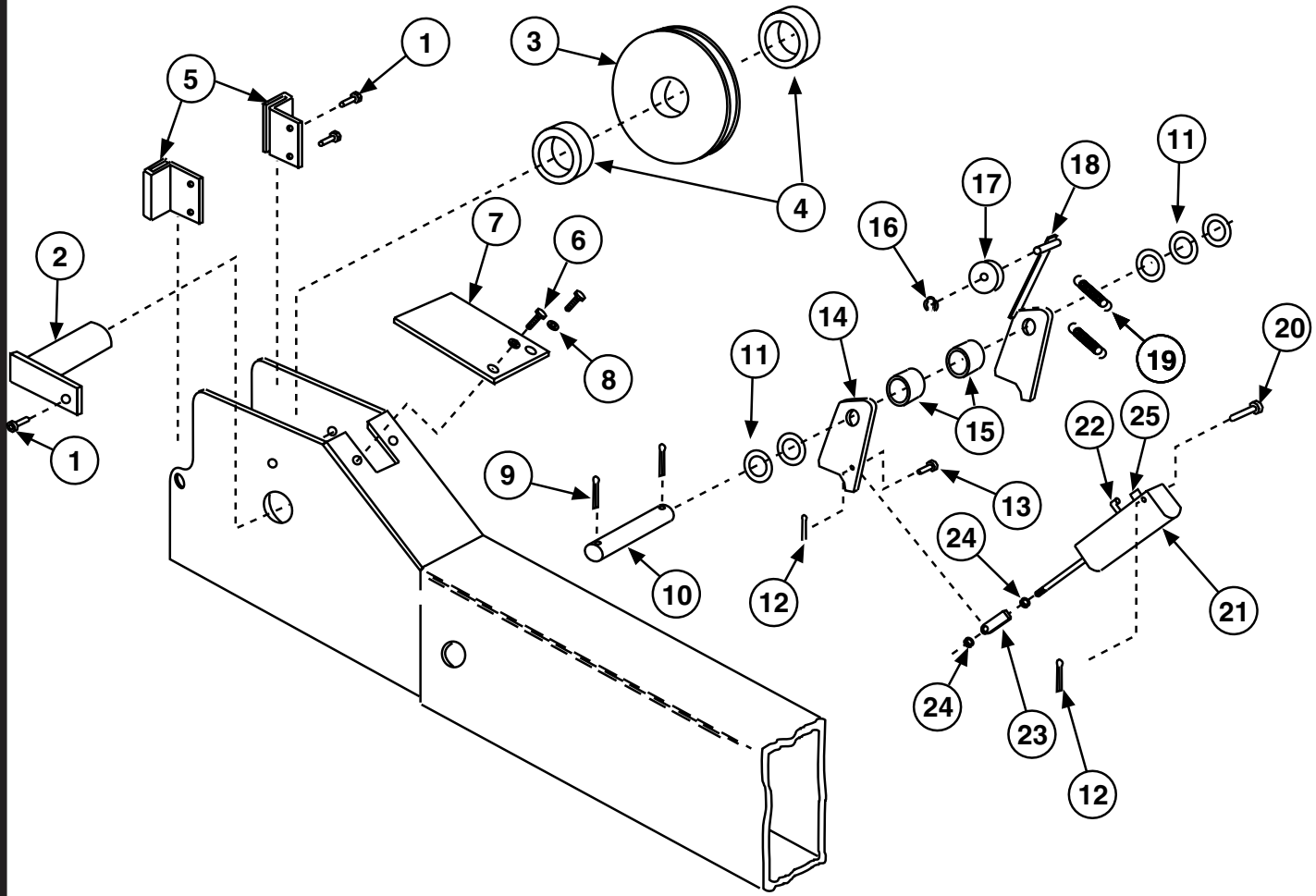
IMPORTANT: When ordering parts or requesting service always give exact model and power unit serial number. Model number is shown on nameplate attached to air lock release valve. Power unit serial number is located on side of power unit.

<p>OWNERS RECORD Complete information at right and keep in a safe place.</p>	<p>Date Installed _____</p> <p>Installed in Bay # _____</p> <p>Power Unit Serial # _____</p> <p>Power Unit Model # _____</p> <p>Lift Serial # _____</p> <p>Lift Model # _____</p>
---	---

NOTE: For replacement parts -See your nearest Rotary Parts Distributor.

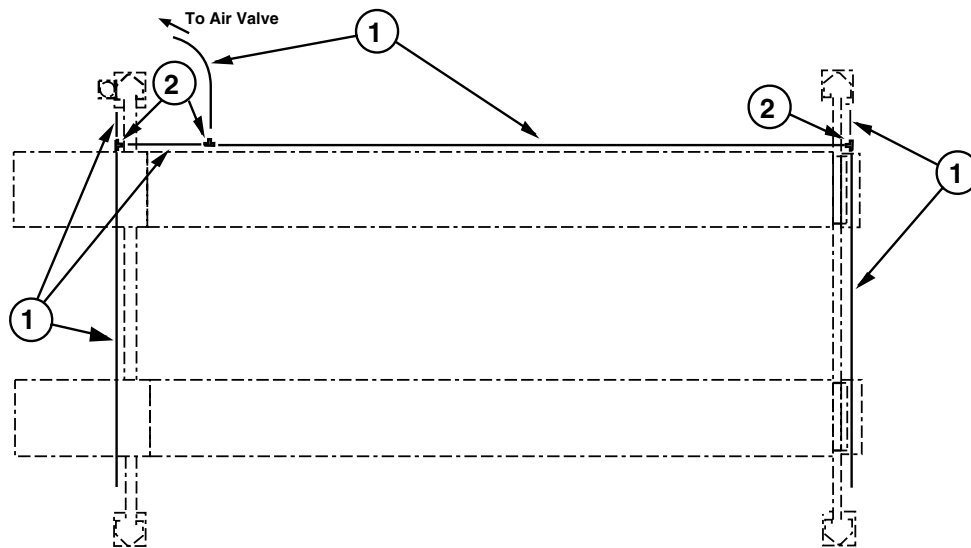
PB2-3-14-1
Rev. E 11/13/07





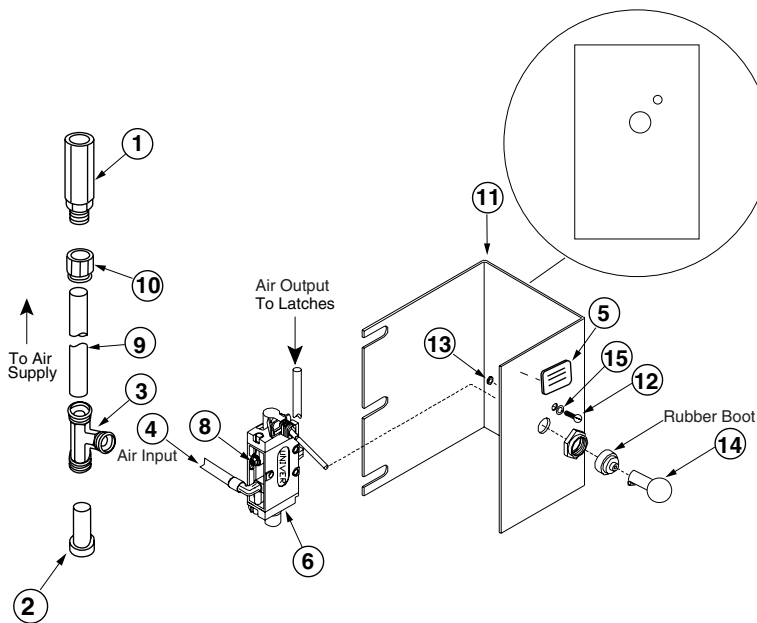
YOKE END DETAIL

ITEM	DESCRIPTION	PART NO.	ITEM	DESCRIPTION	PART NO.
1	5/16"-18NC HSBHCS x 1/2" Lg.	40225	14	Latch	FC5812-29
2	Sheave Pin Assembly	FC5224-21	15	Spacer	FC5812-28
3	Sheave	FC5810-10	16	3/8" Snap Ring TRUARC #5304-37	41410
4	Yoke Sheave Spacer	FC5927-10	17	Slack Cable Roller	FC553-21
5	Slider	FC5812-10	18	Slack Cable Latch	FC5812-27
6	1/4" 20NC HHTS x 1/2" Lg.	40067	19	Extension Spring	FC522-25
7	Rubber Guard	FC553-10	20	Clevis Pin	S130051
8	1/4" Plain Washer	40780	21	Air Cylinder	FC5708-2
9	Cotter Pin, 1/8" X 1 1/4"	41201	22	Elbow	FC5224-39
10	Latch Shaft	FC5901-7	23	Clevis	FC5706-7
11	Washer	FC5301-98	24	1/4" - 28NF Hex Nut	40622
12	1/4" Hairpin Cotter Pin (.05" dia. wire)	41901	25	1/8" NPT PLUG	FC5708-4
13	Clevis Pin	FA2230-12			



AIRLINE DETAIL		
ITEM NO.	DESCRIPTION	PART NO.
1	Airline Tubing (50' roll)	FA2230-2
2	Union Tee	FC5225-46

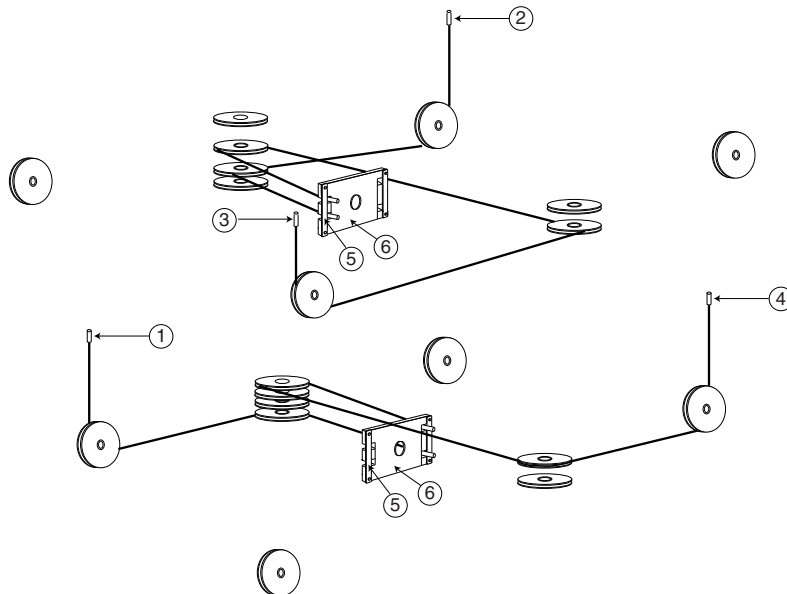
OPTIONAL MOUNTING ON SIDE



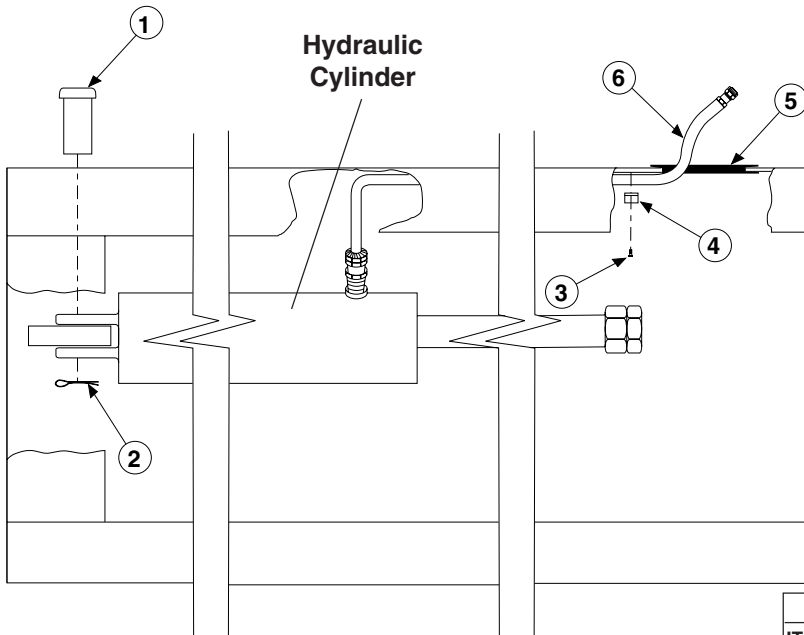
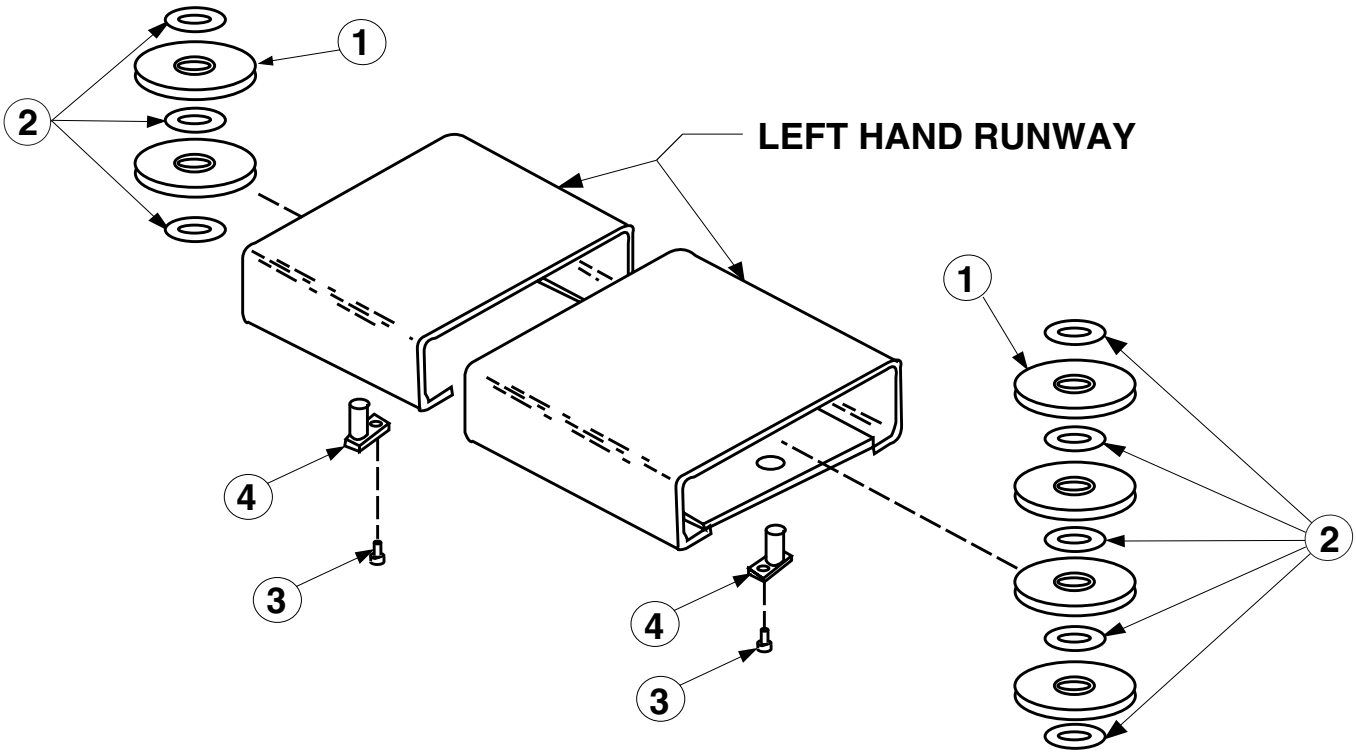
AIR LOCK RELEASE VALVE DETAIL		
ITEM NO.	DESCRIPTION	PART NO.
1	Valve	FA3134-12
2	3/8" Plug	FA2230-16
3	Union Tee	FA2242-1
4	1/4" Tubing	FC2230-2
5	Nameplate	NP280
6	Control Ass'y.	T140073
7	Elbow	FC5341-90
8	Filter / Muffler	T14075
9	3/8" tubing (40ft roll)	FA2230-15
10	Female Connector	FA3134-13
11	Control Bracket	FA3217

CABLES

ITEM NO.	DESCRIPTION	PART NO.	
		SM180	SM181
1	Left Front Cable	FC5810-11	
2	Right Front Cable	FC5810-12	
3	Left Rear Cable	FC5810-13	FC5816-13
4	Right Rear Cable	FC5810-14	FC5816-14
5	3/8" x 3 1/4" Roll Pin	14464	



SHEAVE DETAIL		
ITEM NO.	DESCRIPTION	PART NO.
1	Sheave	FC5810-10
2	Bearing	FC5225-17
3	5/16"-18NC HSBHCS x 1/2" Lg.	40225
4	Runway Pin Assembly	FC5810-40



View Beneath Runway

HYDRAULIC HOSE DETAIL			
ITEM NO.	DESCRIPTION		
1	Cylinder Pin	FC5810-17	
2	3/16" x 1-3/4" Lg. Cotter Pin	1 REQ.	
3	Grommet	2-1/2" Hole	S130015
		1-1/2" Hole	S130063
4	Hose	SM180	FC5225-16
		SM181	FC5426-4

Notes:

World Headquarters:
Rotary Lift
A  **DOVER** COMPANY
2700 Lanier Drive
Madison, Indiana USA
Phone: 1.800.445.5438
Phone: 1.812.273.1622
Fax: 1.800.578.5438
Fax: 1.812.273.6502
userlink@rotarylif.com
www.rotarylif.com

Italy:
(Regional Sales Office)
Rotary Lift Europe S.r.l.
Cadriano (BO)
Phone: +39.051.763384
Fax: +39.051.763395
info@rotaryeurope.com

Germany:
(European Sales Headquarters)
Rotary Lift Germany GmbH
Bensheim
Phone: +49.6251.582.6420
Fax: +49.6251.582.6422
sales@rotarylif.de

United Kingdom:
(Regional Sales Office)
Rotary Lift (UK) LTD.
Halstead, Essex
Phone: +44.178.747.7711
Fax: +44.178.747.7720
sales@rotarylif.idps.co.uk

Canada:
(Regional Sales Office)
Rotary Lift Canada
Mississauga, Ontario
Phone: 905.812.9920
Fax: 905.812.9719
canada@rotarylif.com

Austral-Asia:
(Regional Sales Office)
Rotary Lift Austral/Asia
Petaling Jaya, Malaysia
Phone: +60.3.7660.0285
Fax: +60.3.7660.0289
rlim@rotarylif.com

