



World Leader in Lift Systems

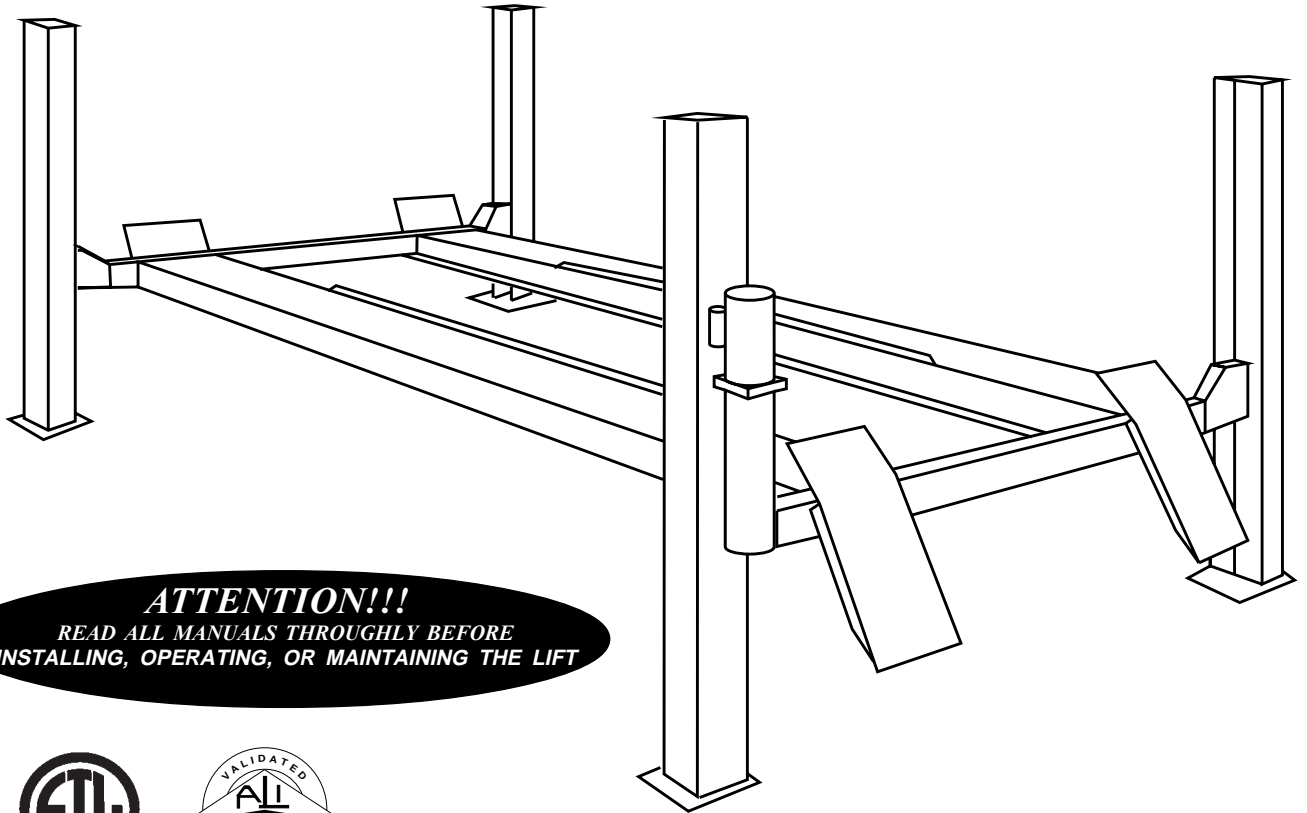
Models:

SM122-100S

SM122-110L

SM122-120EL2

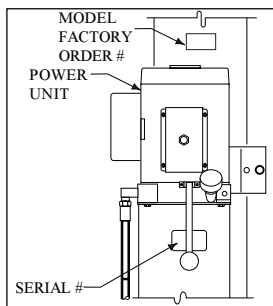
Parts Breakdown



ATTENTION!!!
READ ALL MANUALS THOROUGHLY BEFORE
INSTALLING, OPERATING, OR MAINTAINING THE LIFT



IMPORTANT: When ordering parts or requesting service, always give exact model and power unit serial number. Model number is shown on nameplate attached to power unit column. Power unit serial number is located on side of reservoir.



NOTES:

OWNER'S RECORD

Complete information at right and keep in a safe place.

Date Installed _____

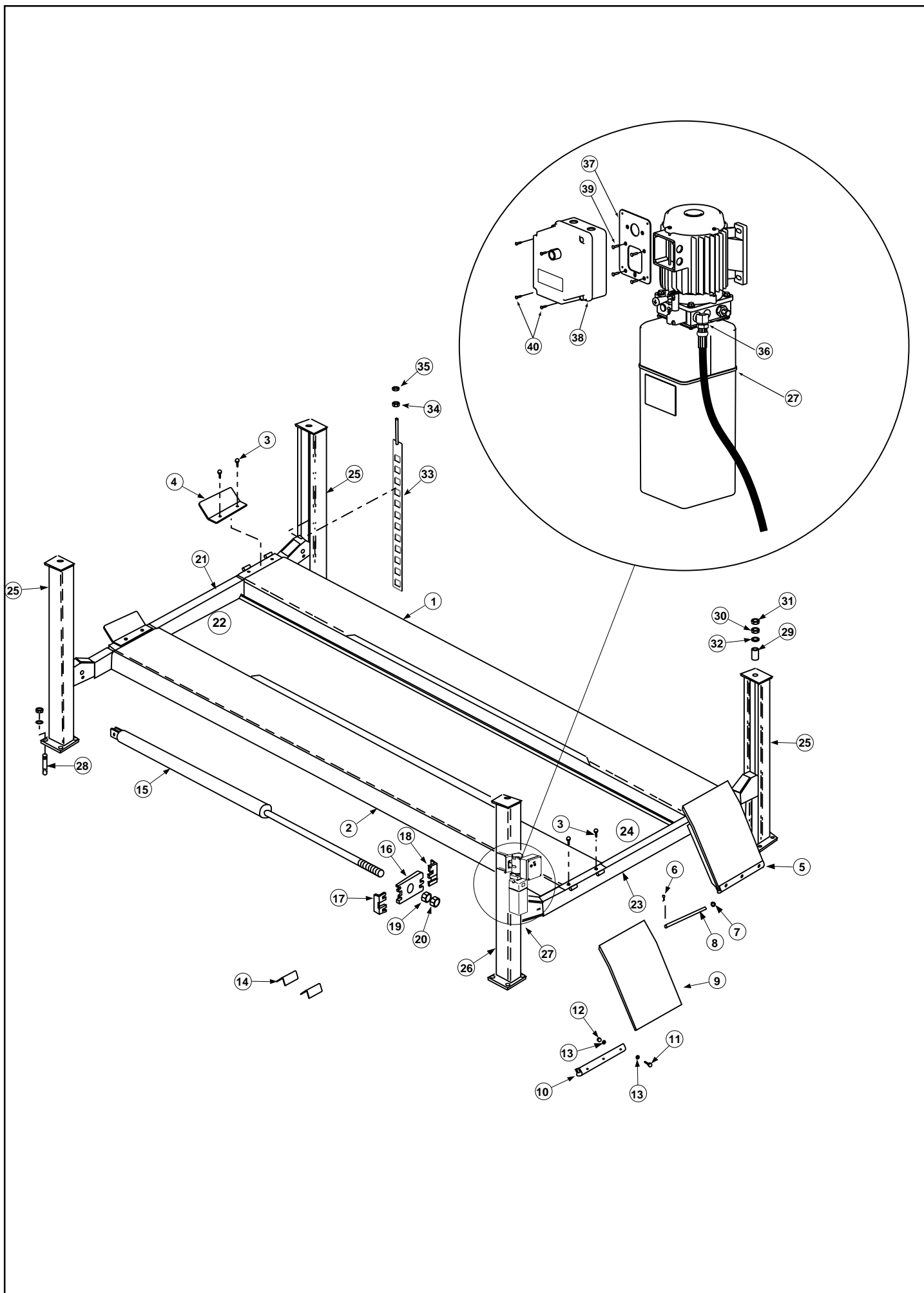
Installed In Bay # _____

Std. Serial # _____

3 ph. Serial # _____

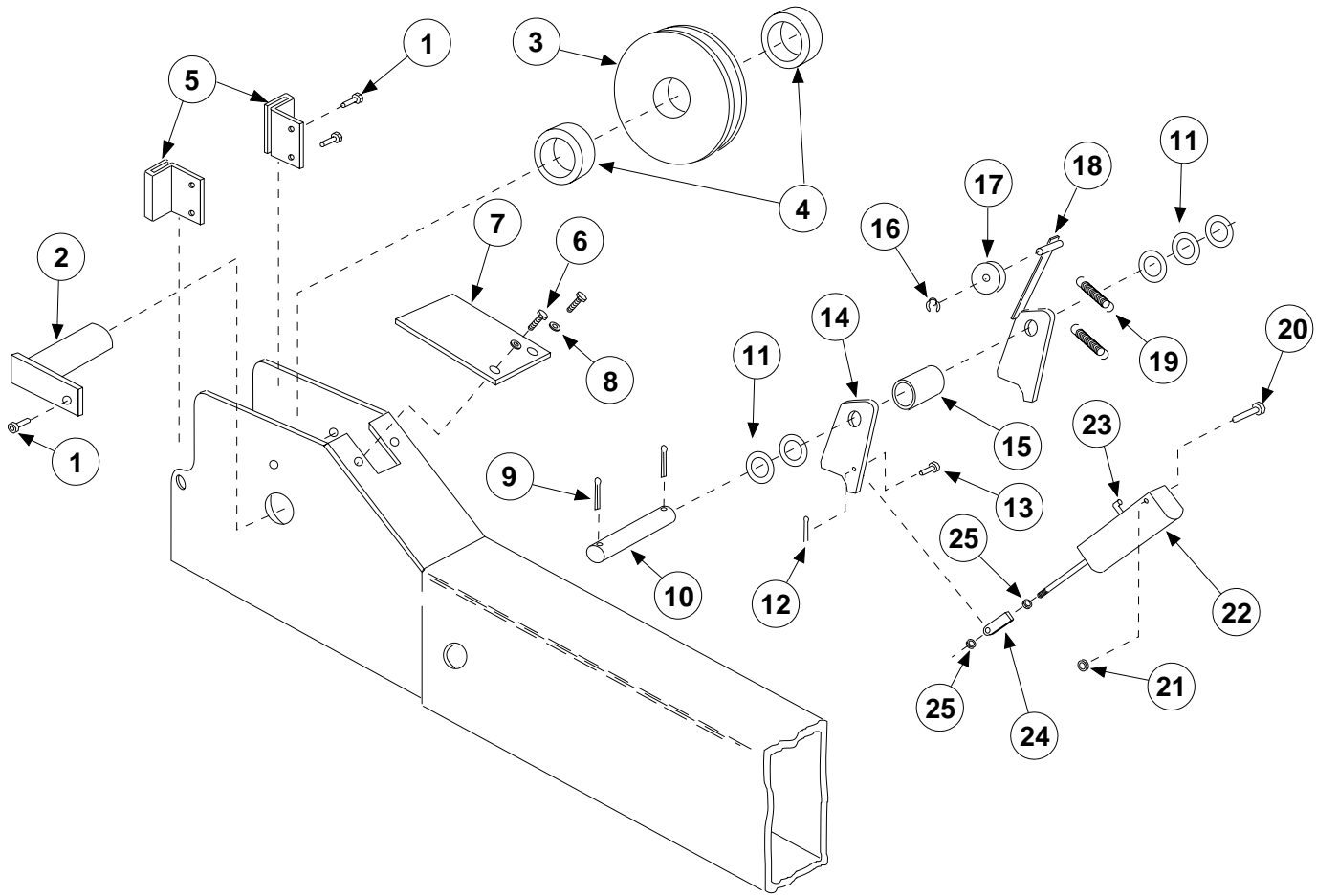
Factory Order # _____

NOTE: For Replacement Parts - See Your Nearest Rotary Parts Distributor



SM122 PARTS

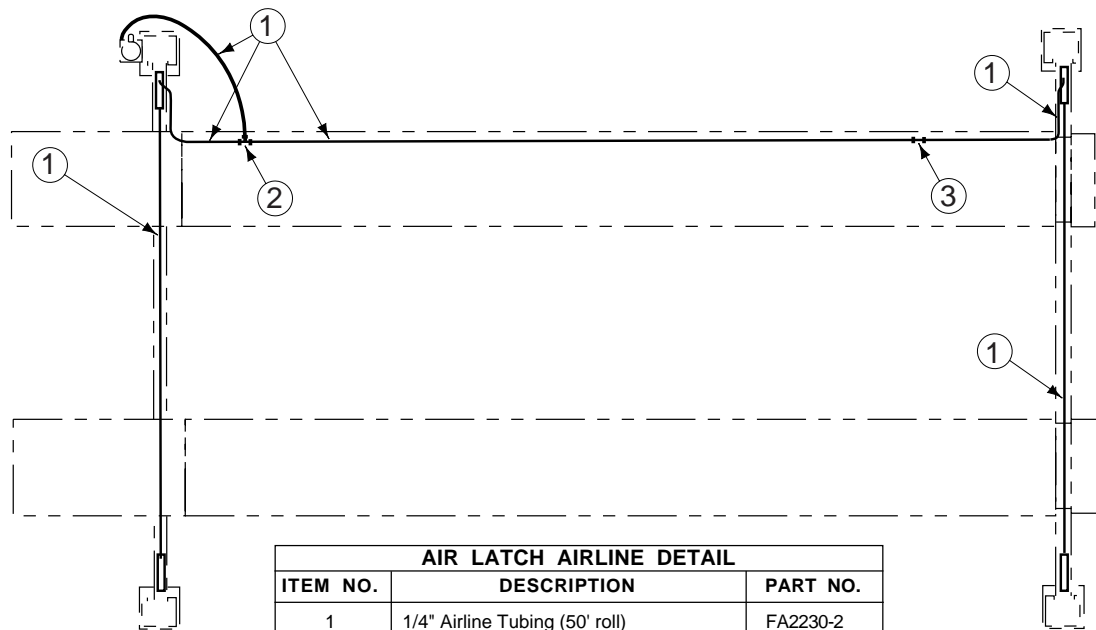
ITEM NO.	DESCRIPTION	PART NO.		
		SM122-100S	SM122-110L	SM122-120EL2
1	R.H. (Adjust.) Runway Assembly	FC5844	FC5848	FC5852
2	L.H. (Fixed) Runway Assembly (Includes cylinder, cables and sheaves)	FC5843	FC5847	FC5851
3	1/2"- 13NC x 1 1/4", Flg. Whiz Lock HHCS (High Strength)	40279		
4	Wheel Stop	FC342		
5	Ramp Chock Assembly	FC134-12		
6	5/32" x 1" Lg. Cotter Pin	41202		
7	5/8" Pushnut Fastener — TRW #PW625019 Or Equal	FC5179-4		
8	Hinge Pin	FC134-99		
9	Ramp Chock	FC134-65		
10	Ramp Chock Slide	FC134-33		
11	#10-24 PNHDMS x 3/4" Lg.	40030		
12	#10-24 Hex Nut	40630		
13	#10 Plain Washer	40785		
14	Triangular Wheel Chock	FC320		
15	Hydraulic Cylinder	FC5797		
16	Cable Pull Bar	FC543		
17	L.H. Cable Retaining Bar	FC543-3		
18	R.H. Cable Retaining Bar	FC543-2		
19	1 3/8"-6NC Hex Nut	40771		
20	1 3/8"-6NC Hex Jam Nut	40773		
21	Front Yoke	FC5928-1		
22	Front Yoke Ass'y (Including Latches)	FC5928		
23	Rear Yoke	FC5927-1		
24	Rear Yoke Ass'y (Including Latches)	FC5927		
25	Column	FC5704		
26	Power Unit Column	FC5705		
27	Power Unit Kit (includes power unit)	single phase	P1002	
		3-phase	P1047	
28	5/8" Anchor Bolt	FC5228		
29	Spacer	FC5287		
30	7/8"-9NC Hex Nut	40765		
31	7/8"-9NC Hex Jam Nut	40766		
32	7/8" Flat Washer	41073		
33	Latch Bar	FC5704-3		
34	3/4"-10NC Hex Jam Nut	40759		
35	3/4"-10NC Hex Nut	40760		
36	Elbow	P1028-4		
37	Adapter Plate	FA7132-2		
38	Control Box	208 V	FA7132	
		230 V	FA7133	
		440-480 V	FA7134	
39	M5X.8X8MM FHMS	4 Req'd.		
40	#8-32NC x 1/2" Lg. Pan Head Self-Tapping Screw	4 Req'd.		



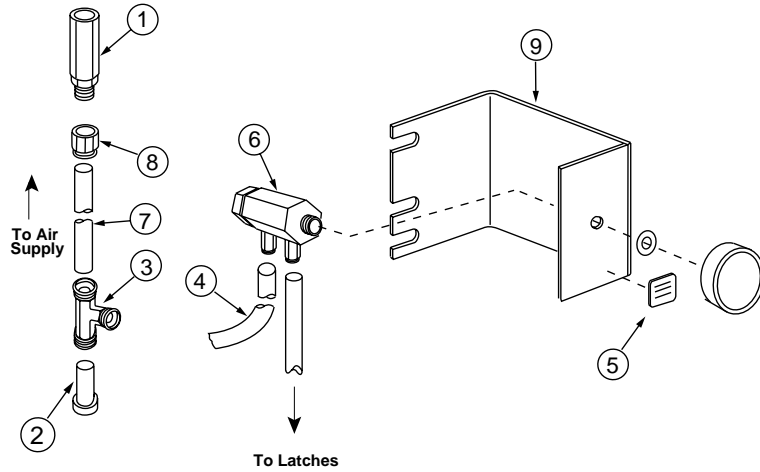
YOKE END DETAIL

ITEM	DESCRIPTION	PART NO.	ITEM	DESCRIPTION	PART NO.	
1	5/16"-18NC x 3/4" Lg. Hex Head Cap Screw	40252	13	Clevis Pin	FA2230-12	
2	Sheave Pin	standard	FC5224-21	14	Latch	FC5706-10
		chrome plated	FC5728-7	15	Spacer	FC5706-9
3	Sheave	FC548	16	3/8" Snap Ring TRUARC #5304-37	41410	
4	Yoke Sheave Spacer	FC5927-10	17	Slack Cable Roller	FC553-21	
5	Slider	FC5706-16	18	Slack Cable Latch	FC5706-8	
6	1/4" 20NC HHTS x 1/2" Lg.	40067	19	Extension Spring	FC522-25	
7	Rubber Guard	FC553-10	20	1/4"-20 HHCS X 1 1/2" Lg.	40081	
8	1/4" Plain Washer	40780	21	1/4"-20 Hex Nut w/locking nylon insert	40642	
9	Cotter Pin, 1/8" X 1 1/4"	41201	22	Air Cylinder*	1-Port FC5706-17 2-Port FC5708-2	
10	Latch Shaft	FC5224-17	23	Elbow	FC5224-39	
11	Washer	FC5301-98	24	Clevis	FC5706-7	
12	1/4" Hairpin Cotter Pin (.05" dia. wire)	41901	25	1/4" -28NF Hex Nut	40622	

*Order FC5708-2 for parts orders on both cylinders.

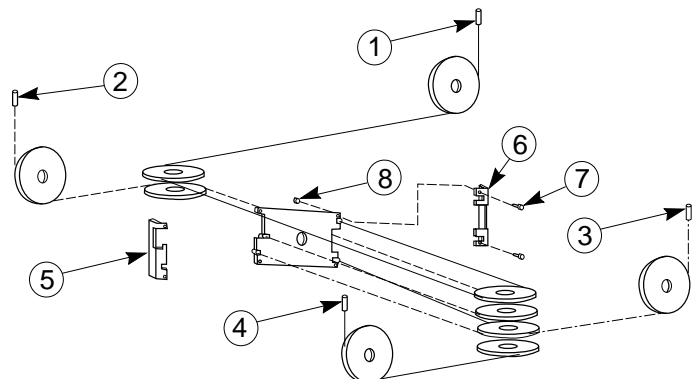


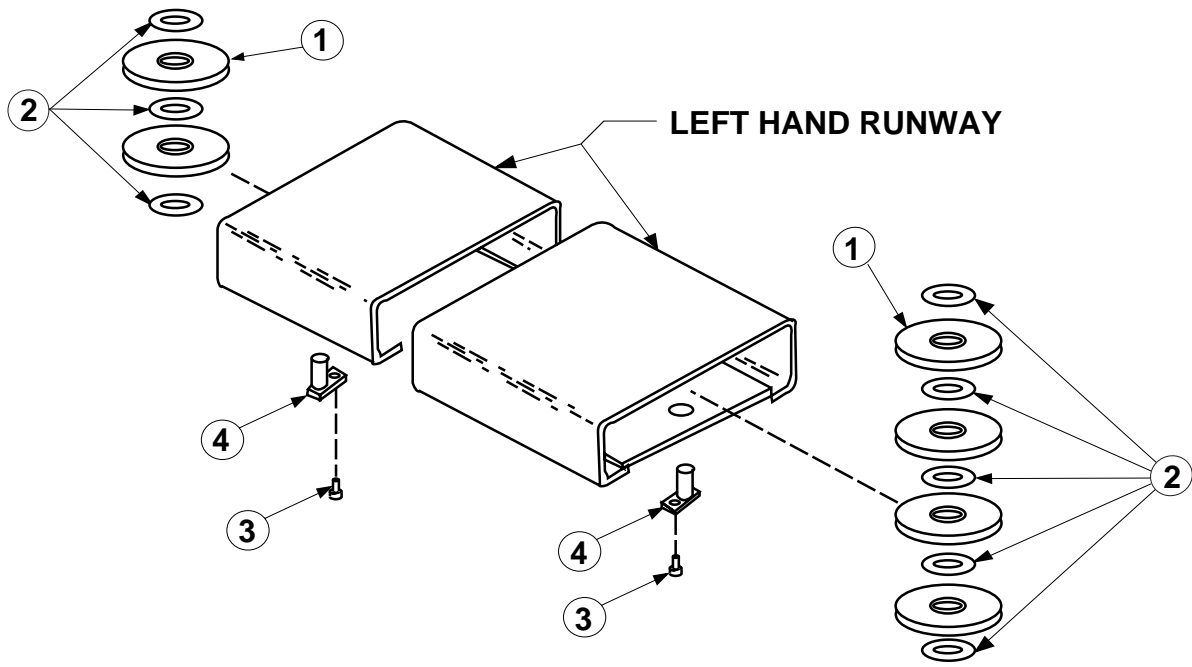
AIR LATCH AIRLINE DETAIL		
ITEM NO.	DESCRIPTION	PART NO.
1	1/4" Airline Tubing (50' roll)	FA2230-2
2	Union Tee	FC5225-46
3	Union	FC5225-98



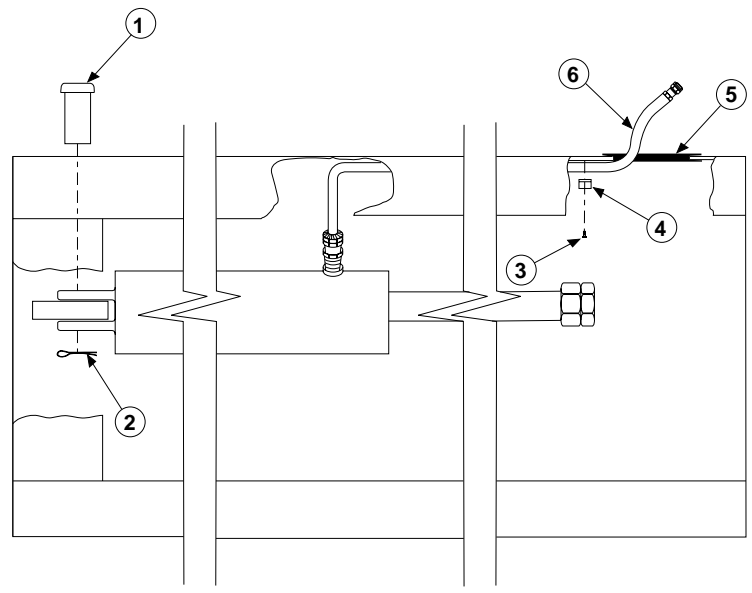
AIR LOCK RELEASE VALVE DETAIL		
ITEM NO.	DESCRIPTION	PART NO.
1	Filter	FA3134-12
2	3/8" Plug	FA2230-16
3	Union Tee	FA2242-1
4	1/4" Tubing	FC2273-4
5	Nameplate	NP280
6	Control Ass'y.	FA3216
7	3/8" tubing (40ft roll)	FA2230-15
8	Female Connector	FA3134-13
9	Control Bracket	FA3217

CABLES				
ITEM NO.	DESCRIPTION	PART NO.		
		SM122-100S	SM122-110L	SM122-120EL2
1	Right Front Cable	FC5617	FC547	FC5551-12
2	Left Front Cable	FC5618	FC546	FC5551-11
3	Right Rear Cable		FC545	
4	Left Rear Cable		FC544	
5	Left Cable Retaining Bar		FC543-3	
6	Right Cable Retaining Bar		FC543-2	
7	1/4"-20NC HHCS x 1 1/2"		40081	
8	1/4"-20NC Hex Nut w/ locking nylon		40642	





SHEAVEDETAIL		
ITEM NO.	DESCRIPTION	PART NO.
1	Sheave	FC548
2	Plastic Bearing	FC5843-3
3	5/16"-18NC HHCS x 3/4" Lg.	40252
4	Sheave Pin	FC555-1



HYDRAULIC HOSE DETAIL		
ITEM NO.	DESCRIPTION	PART NO.
1	Clevis Pin	FC5346-1
2	3/16" x 1 1/4" Lg. Cotter Pin	41247
3	#10 - 24NC Slotted HHTS x 5/8" Lg.	40029
4	Clamp	FA2239-1
5	Strip Grommet	FC5317-12
6	Hose	FC5798

Notes:



World Headquarters:
ROTARY LIFT
A DOVER INDUSTRIES COMPANY
2700 Lanier Drive
Madison, IN 47250-1753 USA
Phone toll-free: 1-800-445-5438
1-(812) 273-1622
FAX toll-free: 1-800-822-6502
1-(812) 273-6502
E-mail: userlink@rotarylif.com
www.rotarylif.com

For Canada:
DOVER CORP. CANADA, LTD.
ROTARY LIFT DIVISION
130 Bridgeland Avenue, Unit 210
Toronto, Ontario
Canada M6A 1Z4
1-(416) 256-4100
Fax: 1-(416) 256-3924

For United Kingdom &
Republic of Ireland:
ROTARY LIFT (UK) LIMITED
Madison House
2 Park Road
Dartford, Kent
DA1 1SL
Phone: +44 (0) 1322 223323
Fax: +44 (0) 1322 222454

For Europe:
ROTARY LIFT EUROPE
Berliner Ring 163 B
D-64625 Bensheim
Phone: +49 (0) 6251.787037
Fax: +49 (0) 6251.787038