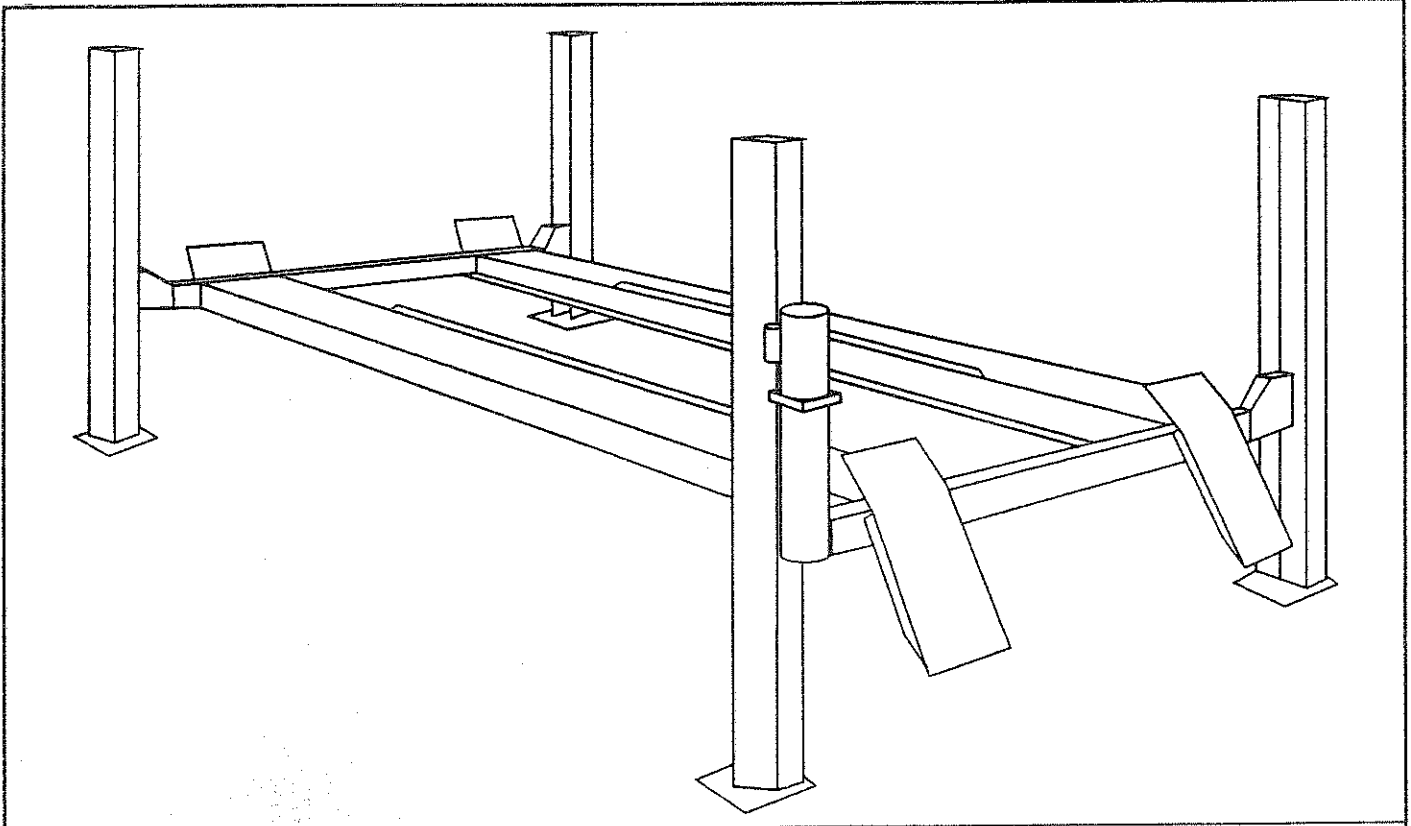


PARTS BREAKDOWN



IMPORTANT: When ordering parts or requesting service, always give exact model and power unit serial number. Model number is shown on nameplate attached to power unit column. Power unit serial number is located on side of reservoir.

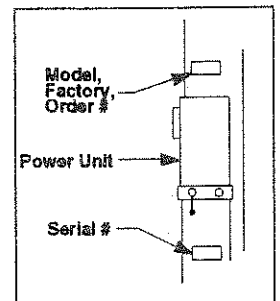
NOTES:

- A. The Hydraulic Cylinder Mounting Bracket was changed to a clevis type bracket 1/30/90, beginning with #L69049.
- B. Remote Release Air Locks were added 10/1/88, beginning with #L60275.
- C. Runway Hydraulic Tubing was replaced by Hydraulic Hose 4/1/89, beginning with #L63500.
- D. The Mounting Bracket on the Hydraulic Cylinder was changed from a clevis type to a bolt-on bracket on 2/15/91 beginning with L76135 for SM91 and on 2/28/91 beginning with L76064 for SM121.
- E. The Hydraulic Cylinder Mounting Bracket was changed back to a clevis type bracket 4/30/90, beginning with #L76815.

OWNER'S RECORD

Complete information at right and keep in a safe place.

Date Installed _____
Installed In Bay # _____
Std. Serial # _____ P609
3 ph. Serial # _____ P610
Factory Order # _____

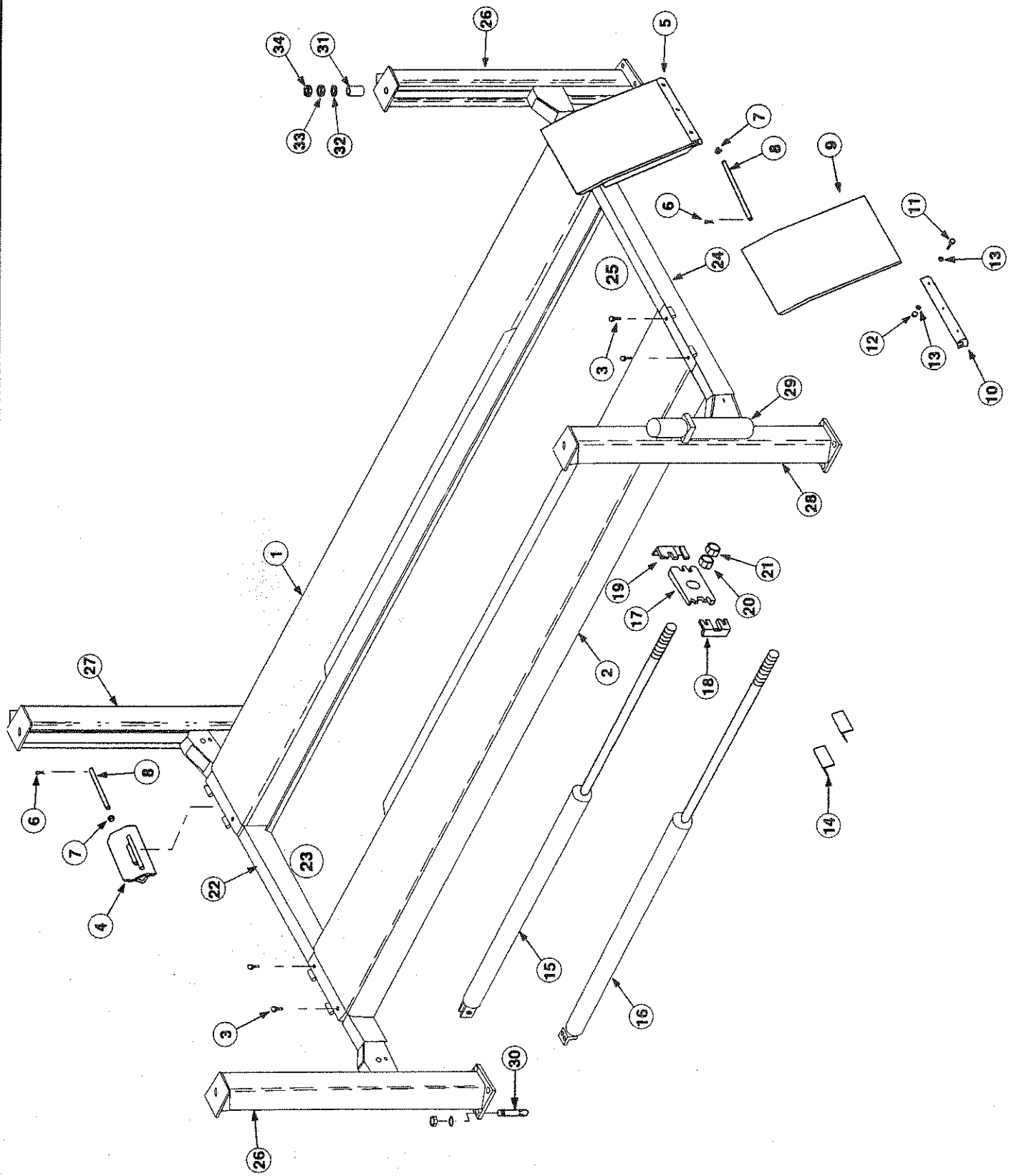


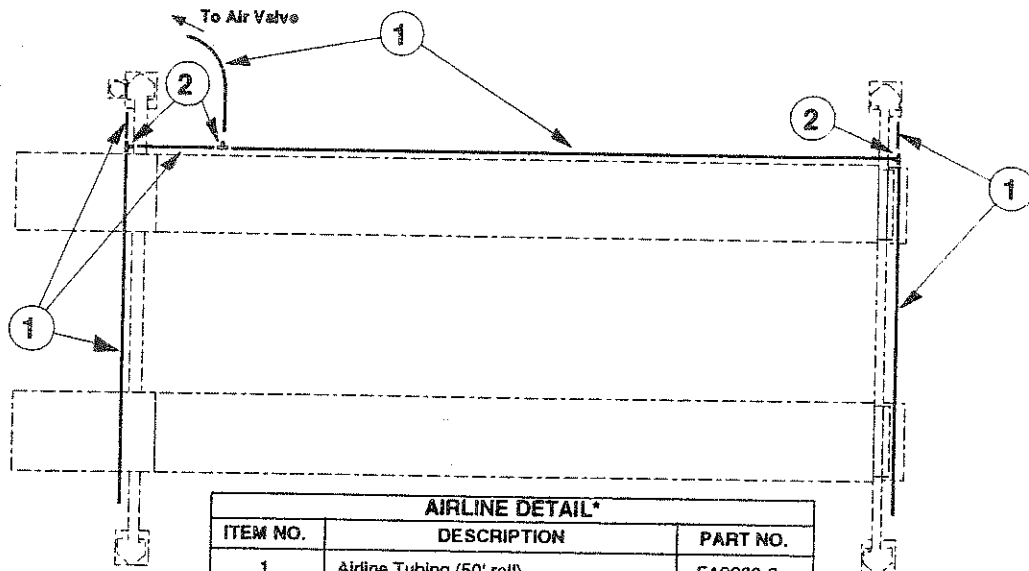
NOTE: For Replacement Parts - See Your Nearest Rotary Parts Distributor

SM91 / SM121 PARTS

ITEM NO.	DESCRIPTION	PART NO.			
		SM91	SM121S	SM121L	SM121EL2
1	R.H. (Adjust.) Runway Assembly	FC5349	FC5616	FC5344	FC5551-1
2	L.H. (Fixed) Runway Assembly (Includes cylinder, cables and sheaves)	FC5351	FC5615	FC5346	FC5551-7
3	1/2" - 13NC x 1" HHCS (High Strength)	40260			
4	Wheel Stop	FC134-13			
5	Ramp Chock Assembly	FC134-12			
6	5/32" x 1" Lg. Cotter Pin	41202			
7	5/8" Pushnut Fastener — TRW #PW625019 Or Equal	FC5179-4			
8	Hinge Pin	FC134-99			
9	Ramp Chock	FC134-65			
10	Ramp Chock Slide	FC134-33			
11	#10-24 PNHMS x 3/4" Lg.	40030			
12	#10-24 Hex Nut	40630			
13	#10 Plain Washer	40785			
14	Triangular Wheel Chock	FC320			
15	Hydraulic Cylinder* (Clevis Mount)	FC5343	FC5342		
16	Hydraulic Cylinder* (Bolt On Style Bkt.)	FC537	FC542		
17	Cable Pull Bar	FC528	FC543		
18	L.H. Cable Retaining Bar	FC528-3	FC543-3		
19	R.H. Cable Retaining Bar	FC528-2	FC543-2		
20	1 1/8"-7NC Hex Nut (SM91)	40769	N/A		
	1 3/8"-6NC Hex Nut (SM121)	N/A	40771		
21	1 1/8"-7NC Hex Jam Nut (SM91)	40770	N/A		
	1 3/8"-6NC Hex Jam Nut (SM121)	N/A	40773		
22	Front Yoke	FC5302-1	FC5288-1		
23	Front Yoke Ass'y (Including Latches)	FC5302	FC5308 <i>FC5288</i>		
24	Rear Yoke	FC5301-1	FC5309-1		
25	Rear Yoke Ass'y (Including Latches)	FC5301	FC5309		
26	R.H. Column	FC5446			
27	L.H. Column	FC5445			
28	Power Unit Column	FC5447			
29	Power Unit Kit (includes power unit)	single phase	FA781		
		3-phase	FA783		
30	5/8" Anchor Bolt	FC5228			
31	Spacer	N/A	FC5287		
32	3/4" Plain Washer	41020	N/A		
33	3/4"-10NC Hex Nut	40760	N/A		
	7/8"-9NC Hex Nut	N/A	40765		
34	3/4"-10NC Hex Jam Nut	FC134-9-4	N/A		
	7/8"-9NC Hex Jam Nut	N/A	40766		

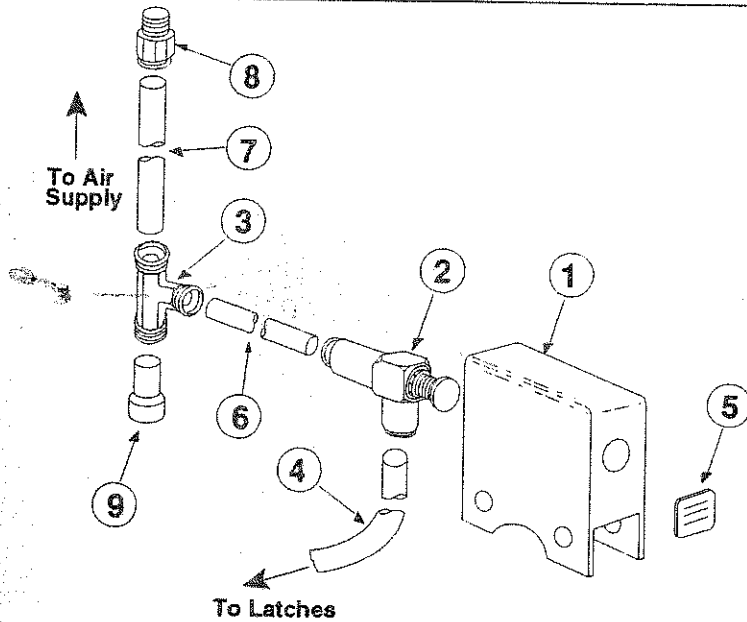
* See Note A and D On Front Page





AIRLINE DETAIL*		
ITEM NO.	DESCRIPTION	PART NO.
1	Airline Tubing (50' roll)	FA2230-2
2	Union Tee	FC5225-46

*See Note B On Front Page

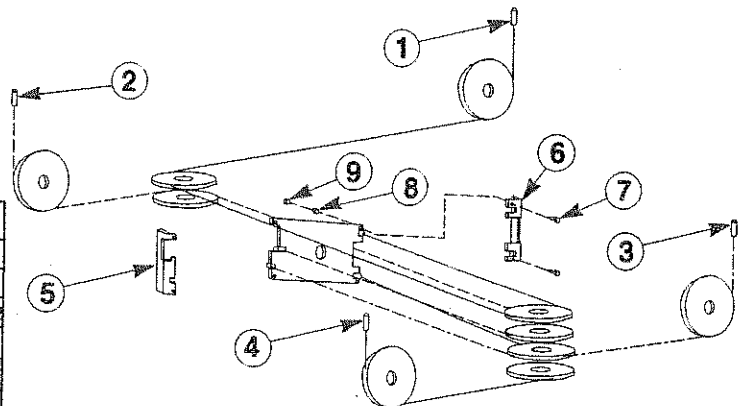


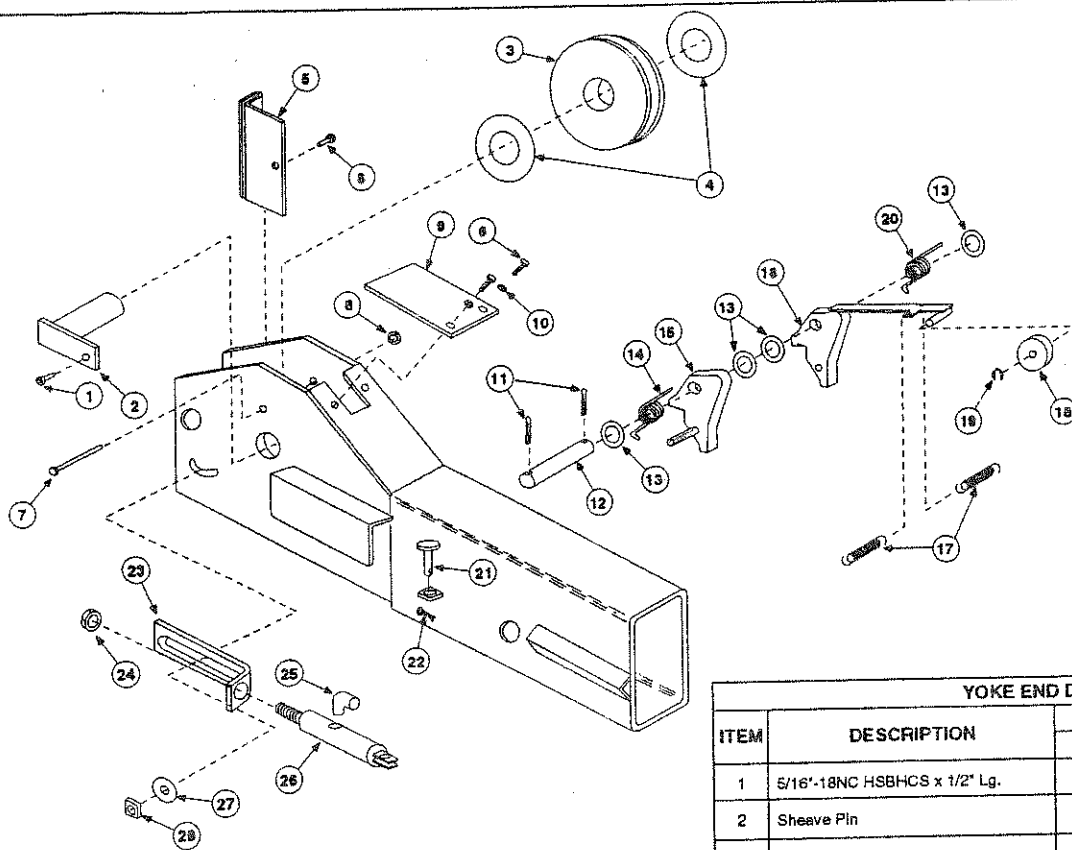
AIR LOCK RELEASE VALVE DETAIL*		
ITEM NO.	DESCRIPTION	PART NO.
1	Bracket**	FA3134-3
2	Air Valve**	FA3134-10
3	Union Tee	FA2242-1
4	1/4" Tubing	FA3134-9
5	Nameplate**	NP280
6	1/4" Tubing**	FA3134-11
7	3/8" Tubing (40' roll)	FA2230-15
8	Male Connector (3/8" NPT to 3/8" tube)	FA3134-7
9	3/8" Plug	FA2230-16

*See Note B On Front Page

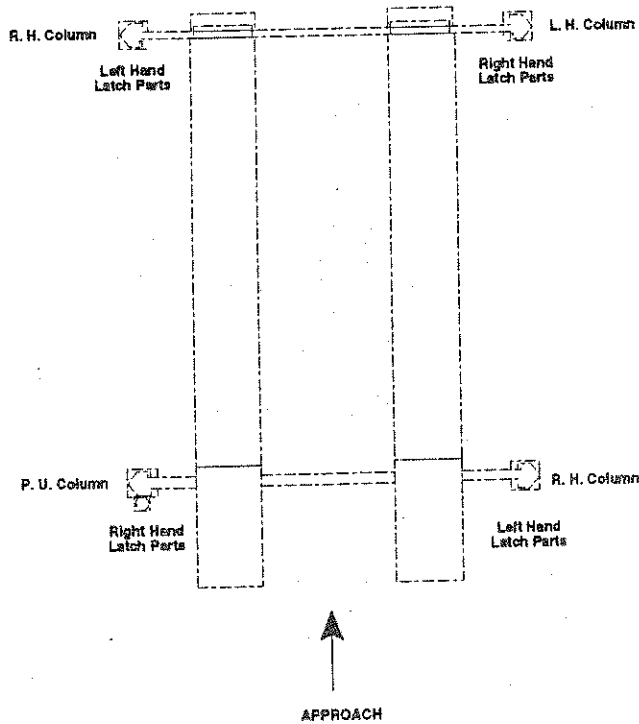
**Available as an assembly, order part #FA3134

CABLES					
ITEM NO.	DESCRIPTION	PART NO.			
		SM91	SM121S	SM121L	SM121EL2
1	Right Front Cable	FC519	FC5617	FC547	FC5551-12
2	Left Front Cable	FC518	FC5618	FC546	FC5551-11
3	Right Rear Cable	FC517	FC545		
4	Left Rear Cable	FC516	FC544 (9'9")		
5	Left Cable Retaining Bar	FC528-3	FC543-3		
6	Right Cable Retaining Bar	FC528-2	FC543-2		
7	1/4"-20NC HHCS x 1 3/4"	40082			
8	1/4"-20NC Hex Nut	40625			
9	1/4"-20NC Hex Jam Nut	40640			





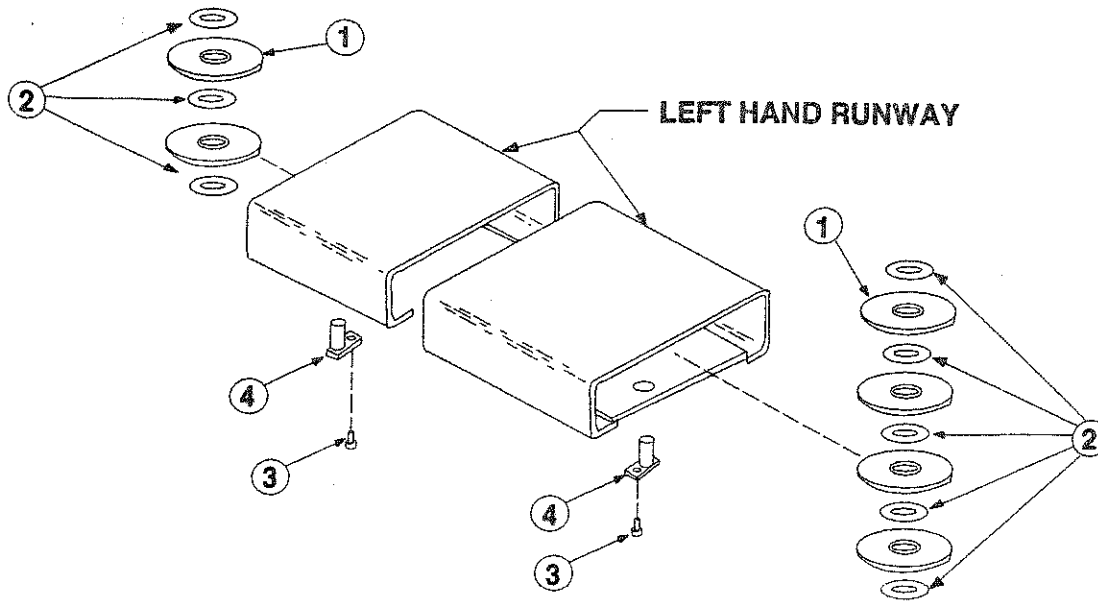
TOP VIEW



YOKE END DETAIL*

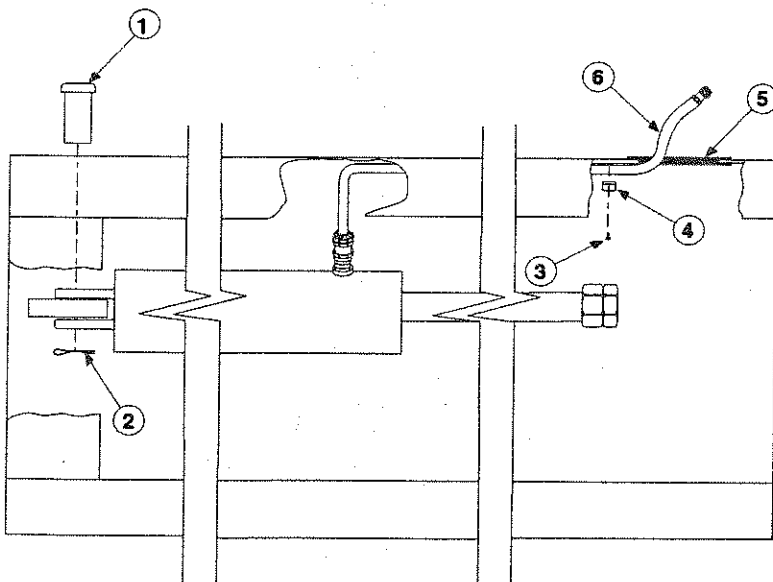
ITEM	DESCRIPTION	PART NO.	
		SM91	SM121
1	5/16"-18NC HSBHCS x 1/2" Lg.		40225
2	Sheave Pin	FC522-34	FC5224-21
3	Sheave	FC522-5	FC548
4	Spacer	FC522-69	FC548-5
5	Slider		FC5301-97
6	1/4" — 20NC HHTS x 1/2" Lg.		40067
7	1/4" 20NC HHCS x 4" Lg.		40148
8	1/4" 20NC Hex Nut		40625
9	Rubber Guard		FC553-10
10	1/4" Plain Washer		40780
11	Cotter Pin, 1/8" X 1 1/4"		41201
12	Latch Shaft		FC5224-17
13	Washer	41387	FC5301-96
14	Left Hand Torsion Spring		FC5224-62
15	Left Hand Locking Latch	FC5505	FC522-17
	Right Hand Locking Latch	FC5504	FC522-8
16	Left Hand Slack Cable Locking Latch		FC553-20
	Right Hand Slack Cable Locking Latch		FC553-19
17	Extension Spring		FC522-25
18	Slack Cable Roller		FC553-21
19	TRUARC 3/8" Snap Ring		41410
20	Right Hand Torsion Spring		FC5224-63
21	Clevis Pin		FA2230-12
22	Cotter Pin, 3/32" x 1/2" Lg.		41165
23	Slotted Bracket		FA2230-9
24	1/4" x 28NF Hex Jam Nut		40622
25	Elbow		FC5224-39
26	Air Cylinder		FA2230-1
27	3/8" Plain Washer		40816
28	3/8" — 16NC Nylon Lock Nut		40657

*See Note B On Front Page



SHEAVE DETAIL			
ITEM	DESCRIPTION	SM91 PART NO.	SM121 PART NO.
1	Sheave	FC522-5	FC548
2	Spacer	FC522-70 (Thin)	FC5346-2 (Thick)
3	5/16"-18NC HSBHCS x 1/2" Lg.	40225	
4	Sheave Pin	FC521-11	FC555-1

8,175³¹



HYDRAULIC HOSE DETAIL*		
ITEM NO.	DESCRIPTION	PART NO.
1	Clevis Pin	FC5346-1
2	3/16" x 1 1/2" Lg. Cotter Pin	41247
3	#10 - 24NC Slotted HHTS x 5/8" Lg.	40029
4	Clamp	FA2239-1
5	Strip Grommet	FC5317-12
6	Hose**	FJ822

*See Note C On Front Page