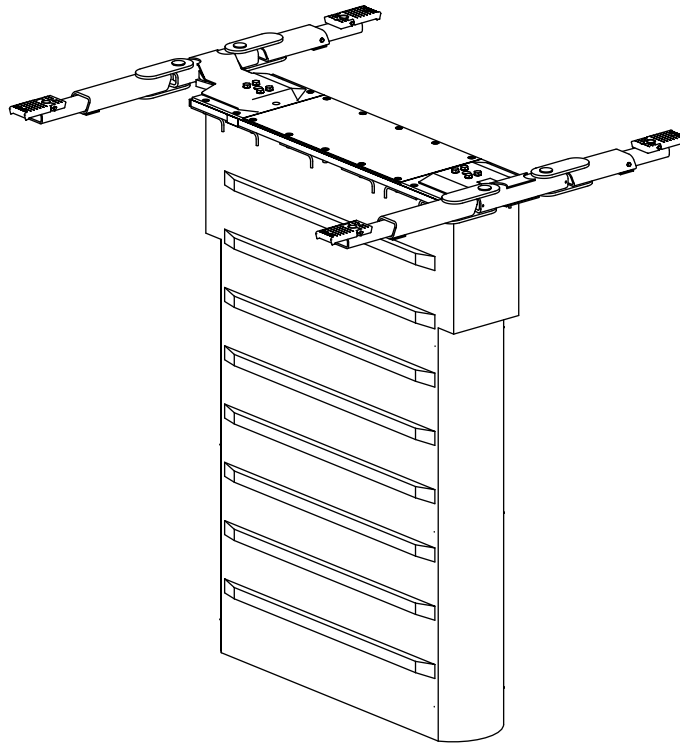




SL29

(300 Series)

Capacity 9,000 lbs.



P
A
R
T
S

B
R
E
A
K
D
O
W
N

IMPORTANT: When ordering parts or requesting service always give exact model and power unit serial number. Model number is shown on nameplate attached to air lock release valve. Power unit serial number is located on side of power unit.

OWNERS RECORD

Complete information at right and keep in a safe place.

Date Installed _____

Installed in Bay # _____

Power Unit Serial # _____

Power Unit Model # _____

Lift Serial # _____

Lift Model # _____

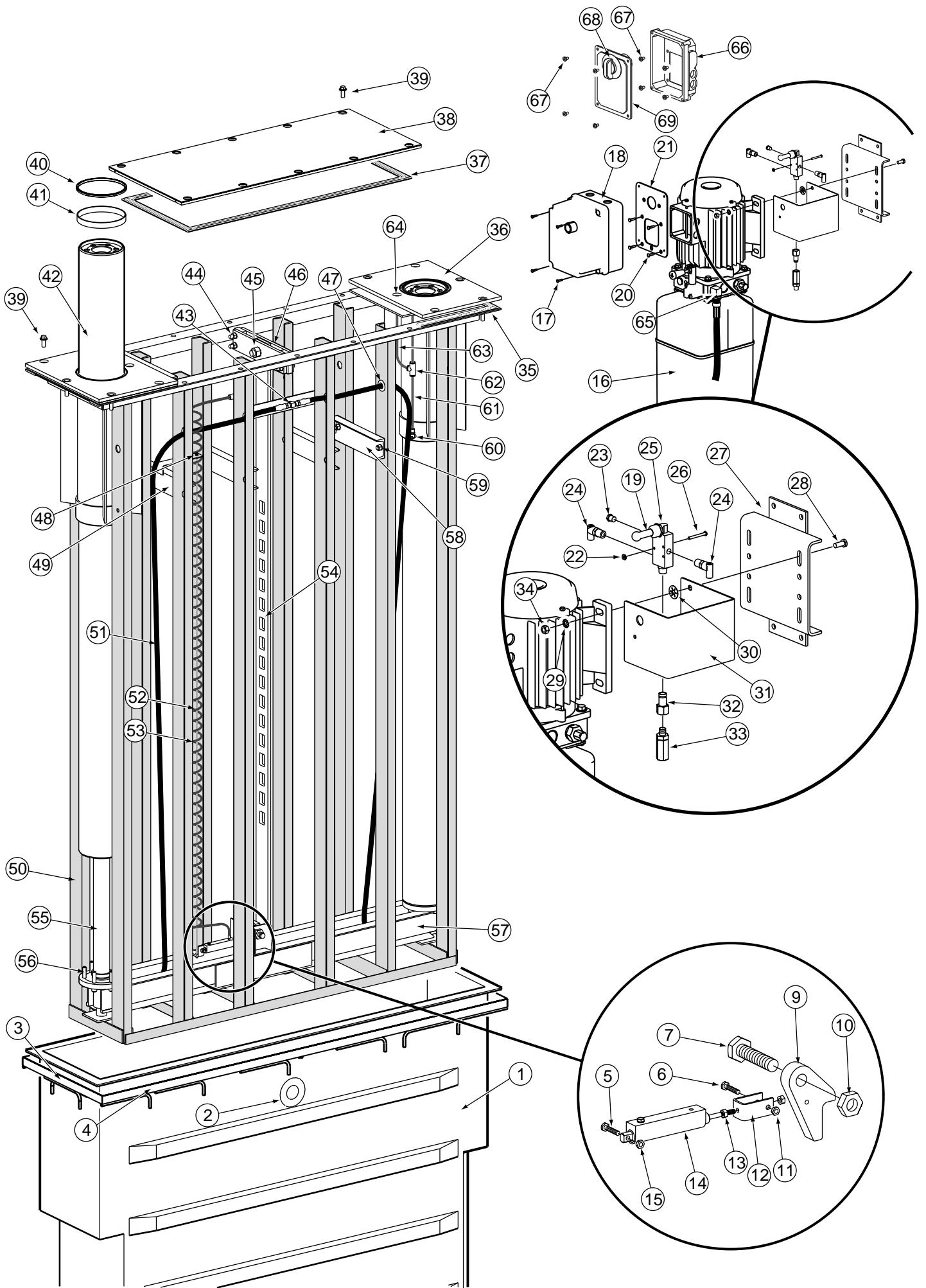
NOTE: For replacement parts -See your nearest Rotary Parts Distributor.

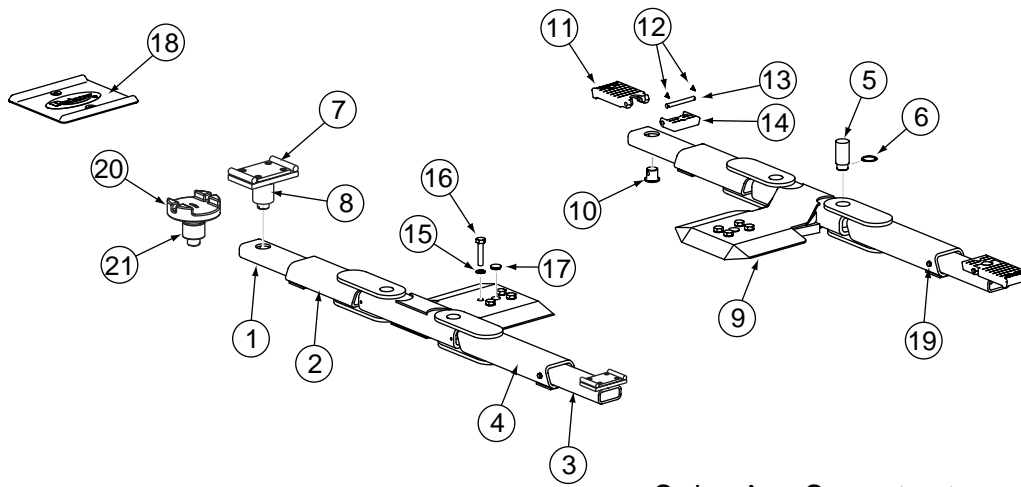
PB 5-8-3-3

Rev. D 11/12/2004

1	Containment Tube	T130016
2	Uniseal	T140023
3	Concrete Anchor Frame (end section)	T120207
4	Concrete Anchor Frame (side section)	T120198
5	1/4"-20NC x 1-1/4" HHCS	40115
6	1/4"-20NC x 1-1/2" HHCS	40110
7	3/4"-10NC x 5" HHCS Plated Grade 5	40456
8	Number Not Used	N/A
9	Locking Latch	T130015
10	3/4"-10NC Nylon Insert Locknut	40790
11	1/4"-20NC Nylon Insert Locknut	40642
12	Clevis	T130014
13	1/4"-28NF Hex Nut	40648
14	Air Cylinder	T140062
15	1/4"-20NC Nylon Insert Locknut	40642
16	Power Unit	
	Single Phase	P1352
	Three Phase	P1353
17	#8-32NC x 1/2" Self Tapping Pan Head MS	FA7152-2
18	Control Panel	
	3 Phase 208V/60 Hz.	FA7162
	3 Phase 230V/60 Hz.	FA7163
	3 Phase 460-480V/60 Hz. or 380-415V/50Hz.	FA7164
19	Air Lock Valve Handle	T140119
20	M5 x .8 x 8mm Flat Head MS	FA7152-1
21	Control Panel Adapter Plate	FA7132-2
22	#8-32NC Nylon Insert Lock Nut	40649
23	Brass Filter	T140075
24	Swivel Elbow	T140074
25	Air Lock Valve	T140073
26	#8-32NC x 1-1/2" Rnd Head Machine Screw	40007
27	Power Unit Wall Bracket	T120020
28	5/16"-18NC x 1-1/2" HHCS Zinc Plated	40271
29	5/16" Ext. Tooth Lock Washer Plated	40854
30	5/16" Push Nut	FC5209
31	Air Lock Valve Mounting Bracket	T130187
32	1/4" Push-In 1/4" NPT Female Fitting	T140081
33	Filter	FA3134-12
34	5/16"-18NC Hex Nut	40670
35	End Gasket	T140106
36	Guide Assembly	T110071
37	Center gasket	T140105
38	Cover Plate	T120055
39	1/2"-13NC x 2" Self Tap Flange Head Screw	40268
40	Wiper	T140076
41	Bearing	T140085
42	Plunger	T120099
43	Bulkhead Union "T" Adapter	T140010
44	1/2"-13NC x 2-1/2" HHCS	40330
	1/2"-13NC Hex Nut	40680
	1/2" External Tooth Lockwasher	40880
45	7/8"-9NC x 2-1/2" HHCS	40497
	7/8"-9NC Hex Nut	40765
	7/8" External Tooth Lockwasher	41070
46	Latch Bar Plate	T130003
47	Grommet	T140002
48	1/4"-20NC Hex Jam Nut	40640
49	Air Coil Rod Bracket Assembly	T120121
50	Frame	T120180
51	Hydraulic Oil Hose	T140100
52	Air Coil Hose Rod	T130260
53	Recoil Hose 3/16"	T140096

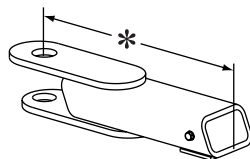
54	Latch Bar	T130270
55	Hydraulic Cylinder	N380
	Bleeder Screw (specify manufacturer)	N/A
56	1/2"-13NC x 2-1/2" Socket Head Cap Screw	40313
	1/2" Helical Spring Lockwasher Plated	40915
57	Equalizer	T120177
58	Short Tie Channel	T130005
59	1/2"-13NC x 1" HHCS Grade 5	40261
	1/2"-13NC Hex Nut Plated	40680
	1/2" External Tooth Lockwasher Plated	40880
60	Male Elbow Connector	FA3134-6
61	1/4" Nylon Tube 9-1/2" long	T130189
62	Union Tee	FC5225-46
63	1/4" Nylon Tube 11-1/8" long	T130191
64	Male Connector	FC5225-47
	Grease/Zerk Fitting	T140007
65	Elbow	FJ7224
66	3 Phase Box	FA7147-1
67	M5 x 10 PHMS Plated	40275
68	Drum Switch	FA7205
	Drum Switch Handle	FA7205-1
69	3 Phase Box Cover Plate	FA7203-1





Swing Arm Superstructure

ITEM	DESCRIPTION	PART #	QTY. (Per Lift)
1	*Short Inner Arm (for FJ6159 Rubber Pad Adapters)	T120143	2 or 4
	*Short Inner Arm (for FJ6161 Rubber Pad Adapters)	T120188	2 or 4
	*Short Inner Arm (for Flip-Up Adapters)	T120142	2 or 4
2	*Short Outer Arm	T120141	2 or 4
3	*Long Inner Arm (for FJ6159 Rubber Pad Adapters)	FJ7866-1	2 or 4
	*Long Inner Arm (for FJ6161 Rubber Pad Adapters)	T120189	2 or 4
	*Long Inner Arm (for Flip-Up Adapters)	FJ7150-2	2 or 4
4	*Long Outer Arm	T120138	2 or 4
5	Arm Pin	T140114	4
6	Rotor Clip	T140115	4
7	Rubber Pad	FJ6158-4	4
8	Adapter Assembly	FJ6159	4
9	Yoke	T120098	2
10	Adapter Swivel Pin	FJ79-6	4
11	High Step Adapter	FJ671-1	4
12	3/32" Hog Ring for 1/2" Shaft	FJ671-6	8
13	Adapter Pin	FJ671-3	4
14	Low Step Adapter	FJ671-2	4
15	3/4" External Tooth Lockwasher	40995	8
16	3/4"-10NC x 3" HHCS Grade 5	40470	8
17	Plug Button	T140014	2
18	Wheel Spotting Dish Kit	FF729	1
19	3/8"-16NC x 5/8" HHCS Grade 8 Plated	40155	4
	3/8" Internal Tooth Lockwasher	40843	4
20	Rubber Pad	FJ6161-1	4
21	Rubber Adapter Pad Assembly	FJ6161	4



* Short Arm distance = 18-1/2"
Long Arm distance = 23-1/2"

Rotary World Headquarters
2700 Lanier Drive
Madison, IN 47250, USA
www.rotarylif.com

North America Contact Information
Tech. Support: p 800.445.5438
f 800.578.5438
e userlink@rotarylif.com
Sales: p 800.640.5438
f 800.578.5438
e userlink@rotarylif.com

World Wide Contact Information
World Headquarters/USA: 1.812.273.1622
Canada: 1.905.812.9920
European Headquarters/Germany: +49.771.9233.0
United Kingdom: +44.178.747.7711
Australasia: +60.3.7660.0285
Latin America / Caribbean: +54.3488.431.608
Middle East / Africa: 1.812.273.1622



A DOVER COMPANY

