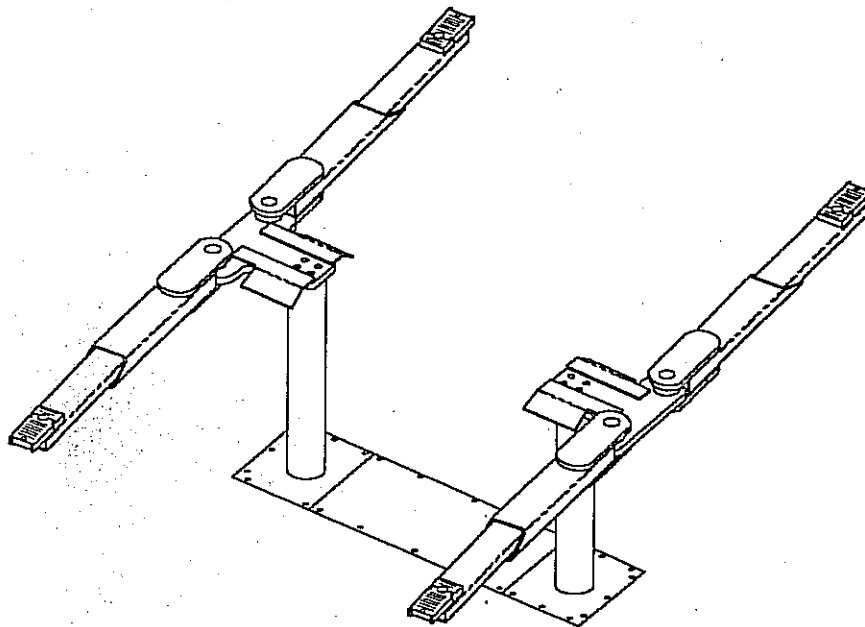


SMART LIFTS MODELS

- SL28018** Two-Plunger Frame Engaging Lift with Rubber Pads
- SL28016** Two-Plunger Frame Engaging Lift with Flip-up Adapters
- SL28004** Two-Plunger Frame Engaging Lift with Rubber Pad Adapters
- SL28017** Two-Plunger Base Unit Lift
- SL28020** Two-Plunger Frame Engaging Lift with Fixed Rubber Pads

Parts Breakdown



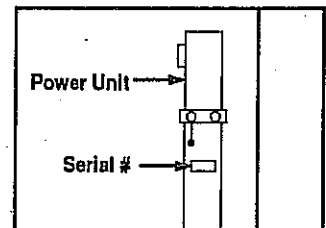
IMPORTANT: When ordering parts or requesting service always give exact model and power unit serial number. Model number is shown on nameplate attached to air lock release valve. Power unit serial number is located on side of power unit reservoir.

NOTES:

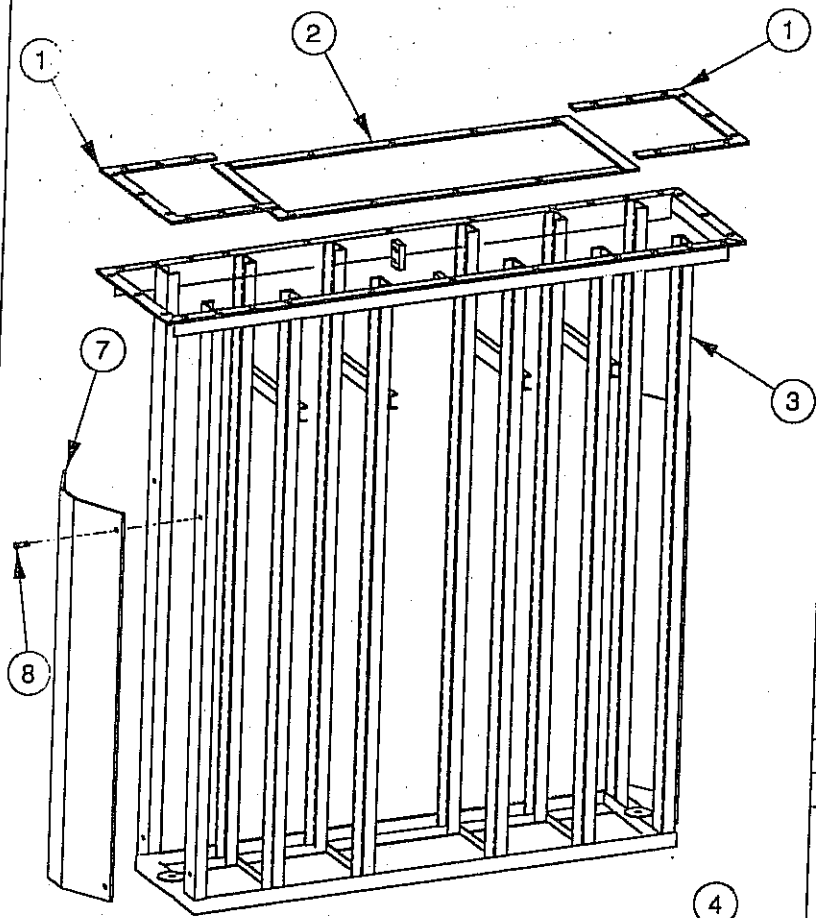
OWNERS RECORD

Complete information at right and keep in a safe place.

Date Installed _____ / _____ / _____
Installed In Bay # _____
Std. Pwr. Unit Serial # _____ Model # _____
3 ph. Pwr. Unit. Serial # _____ Model # _____
Lift Serial # _____
Model No# _____

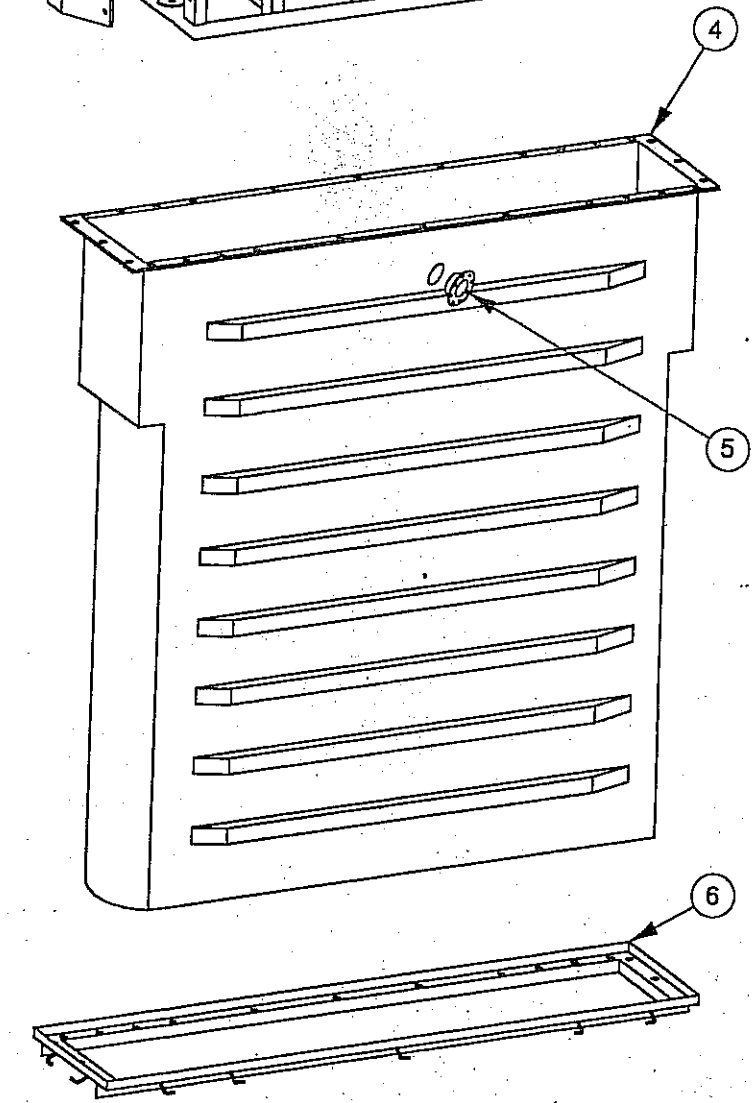


NOTE: For Replacement Parts - See Your Nearest Rotary Parts Distributor.



SL28 EXTERNAL PARTS LIST

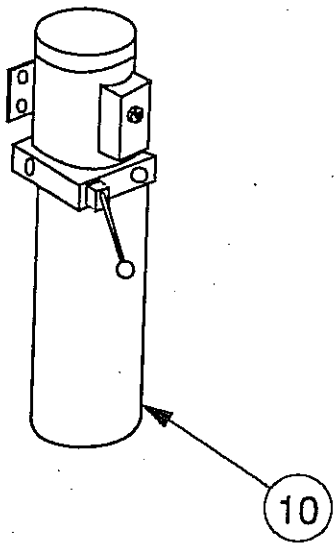
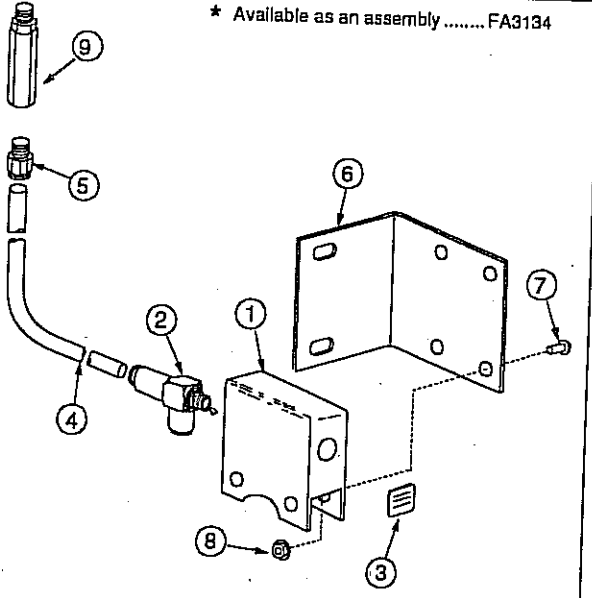
| ITEM NO. | DESCRIPTION | PARTS |
|----------|---|---------|
| 1 | Gasket End | T140020 |
| 2 | Gasket Center | T140019 |
| 3 | Frame | T120036 |
| 4 | Tube | T130016 |
| 5 | 2" Flexible Boot | FA583 |
| 6 | Concrete Anchor Frame | T120008 |
| 7 | Side Sheet | T130087 |
| 8 | 3/8"-16NC x 1" lg. Self-tapping FLHCS (8-req'd) | 40076 |

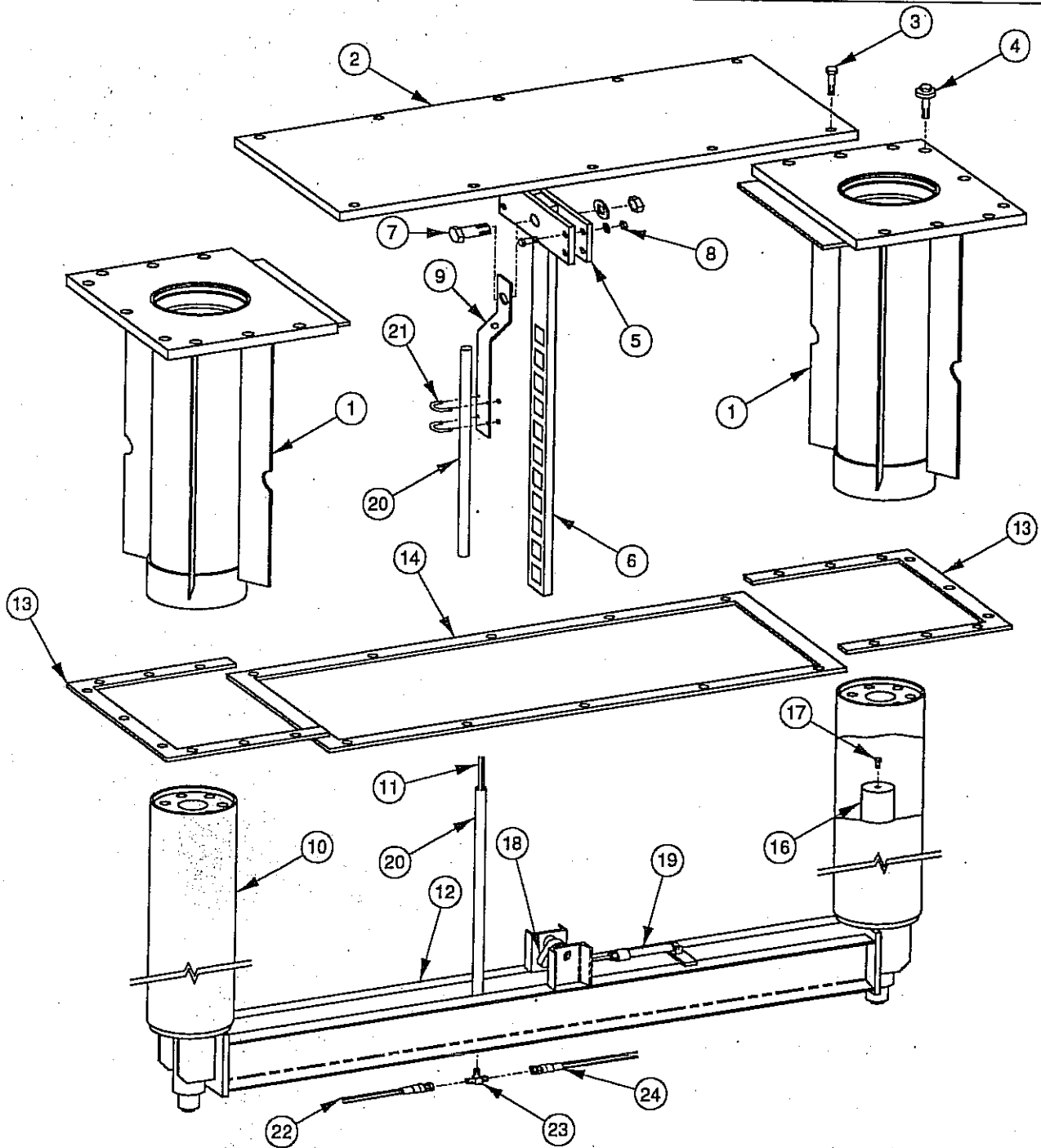


SL28 AIR VALVE/POWER UNIT PARTS LIST

| ITEM NO. | DESCRIPTION | PARTS |
|----------|-------------------------------|-----------|
| 1 | Air Valve Bracket * | FA3134-3 |
| 2 | Air Valve * | FA2273-3 |
| 3 | Nameplate * | NP280 |
| 4 | 1/4" Tubing * | FA2273-4 |
| 5 | 1/4" Push-In 1/4" NPT Fitting | |
| 6 | Control Assembly Bracket | FA2230-17 |
| 7 | 5/16"-18NC x 1/2" lg. HSBHCS | 40225 |
| 8 | 5/16"-18NC Nut | 40678 |
| 9 | Filter | FA3134-12 |

* Available as an assembly FA3134



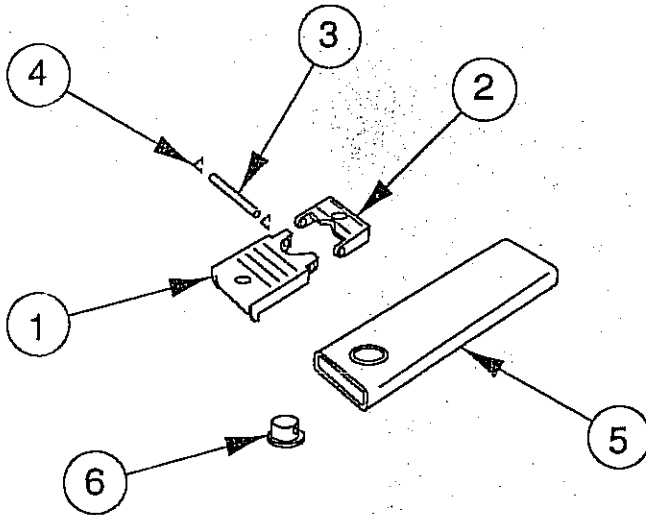
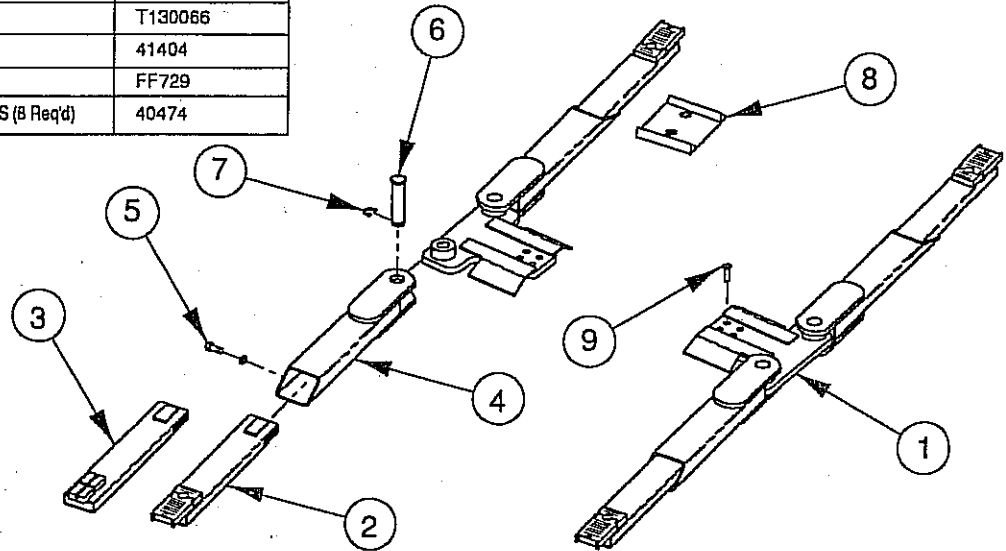


SL28 INTERNAL PARTS LIST

| ITEM NO. | DESCRIPTION | PARTS | ITEM NO. | DESCRIPTION | PARTS |
|----------|---|---------|-----------|--------------------------------------|----------|
| 1 | Guide Assembly | T110012 | 12 | Equalizer | T120006 |
| 2 | Cover Plate | T120042 | 13 | Gasket End | T140020 |
| 3 | 1/2"-13NC x 2" Lg. HHCS | 40315 | 14 | Gasket Center | T140019 |
| 4 | 1/2"-13NC x 1 1/2" 12 pt. Cap Screw | 40305 | 15 | Straight Adapter | FJ7352-3 |
| 5 | Latch Bar Plate | T130003 | 16 | Hydraulic Cylinder | FJ7664 |
| 6 | Latch Bar | T130001 | 17 | Bleeder Screw (specify manufacturer) | 2 Req'd |
| 7 | 7/8"-9NC x 3" Lg. HHCS, Gr. 5, Zn. Plt. | 40497 | 18 | Locking Latch | T130015 |
| | 7/8"-9NC Hex Nut | 40765 | 19 | Air Cylinder | FC5309-3 |
| | 7/8" Ext. Lock Washer | 41070 | 20 | PVC Pipe | T140028 |
| 8 | 1/2"-13NC x 2 1/2" Lg. HHCS | 40330 | 21 | U-Bolt Clamps w/Nuts | T140031 |
| | 1/2"-13NC Hex Nut | 40680 | 22 | 25" Hose | T140025 |
| | 1/2" Ext. Lock Washer | 40880 | 23 | Tee Adapter | T140029 |
| 9 | Rod Support | T130093 | 24 | 34" Hose | T140027 |
| 10 | Plunger | T120017 | Not Shown | Air Hose | T140030 |
| 11 | Hose | T140026 | | | |

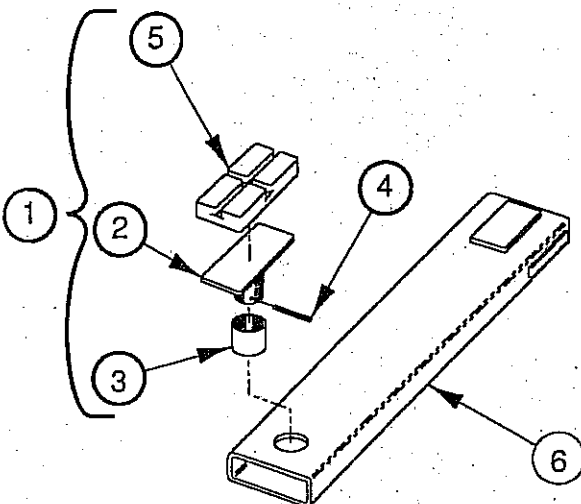
3L28 SWING ARM SUPERSTRUCTURE PARTS LIST

| ITEM NO. | DESCRIPTION | PARTS |
|----------|---|---------|
| 1 | Yoke | T120028 |
| 2 | Inner Tube with Flip-Up Adapter | T110009 |
| 3 | Inner Tube for Rubber Pad Adapter | T120029 |
| | Rubber Pad Adapter Assembly | T110008 |
| 4 | Outer Tube | T120027 |
| 5 | $\frac{3}{8}$ "-16NC x $\frac{5}{8}$ " HHCS Gd. 8 Plt. (4 Req'd) | 40155 |
| | $\frac{3}{8}$ " Internal Tooth Lock Washer (4 Req'd) | 40843 |
| 6 | Arm Pin | T130066 |
| 7 | Truarc #5100-187 | 41404 |
| 8 | Wheel Spotting Dish | FF729 |
| 9 | $\frac{7}{8}$ "-9NC x $2\frac{1}{2}$ " Soc. FL C'Sunk Hd CS (8 Req'd) | 40474 |



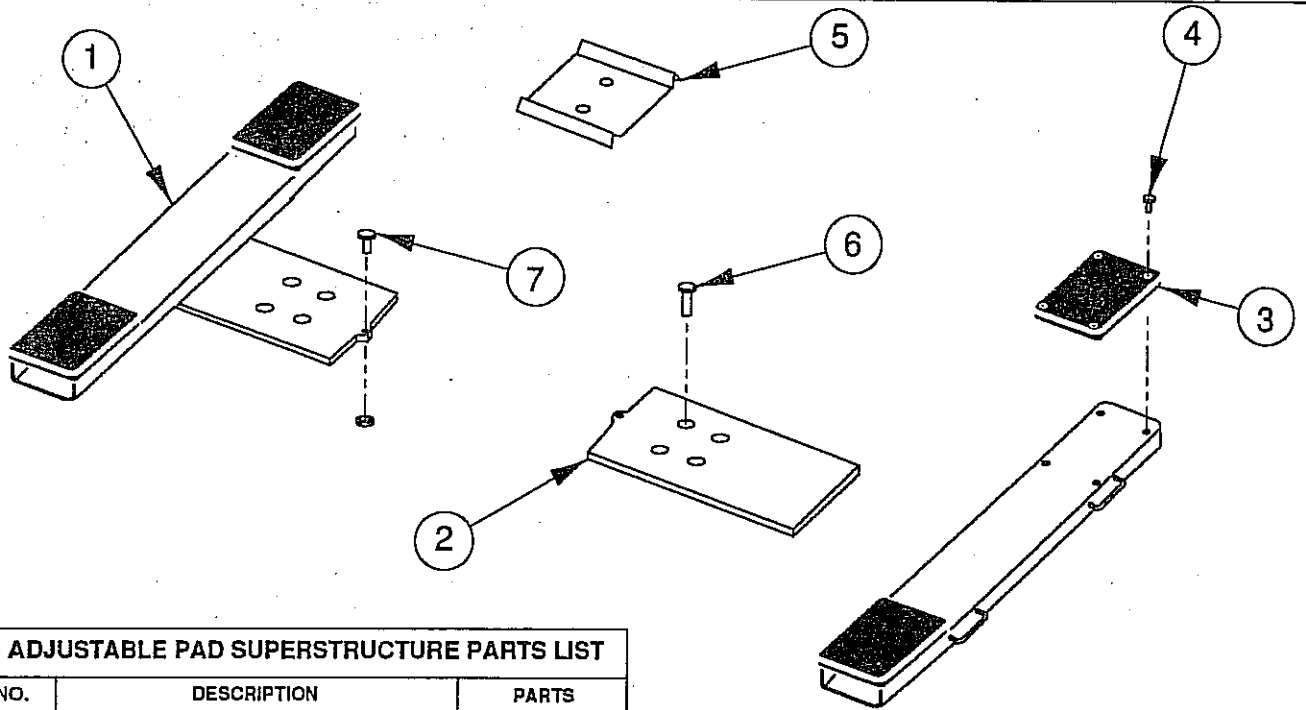
3L28 FLIP-UP ADAPTER PARTS LIST

| ITEM NO. | DESCRIPTION | PARTS |
|----------|--------------------|---------|
| 1 | Adapter High Step | FJ671-1 |
| 2 | Adapter Low Step | FJ671-2 |
| 3 | Adapter Pin | FJ671-3 |
| 4 | Hog Ring Clips | FJ671-6 |
| 5 | Inner Arm Tube | T120025 |
| 6 | Adapter Swivel Pin | FJ79-6 |



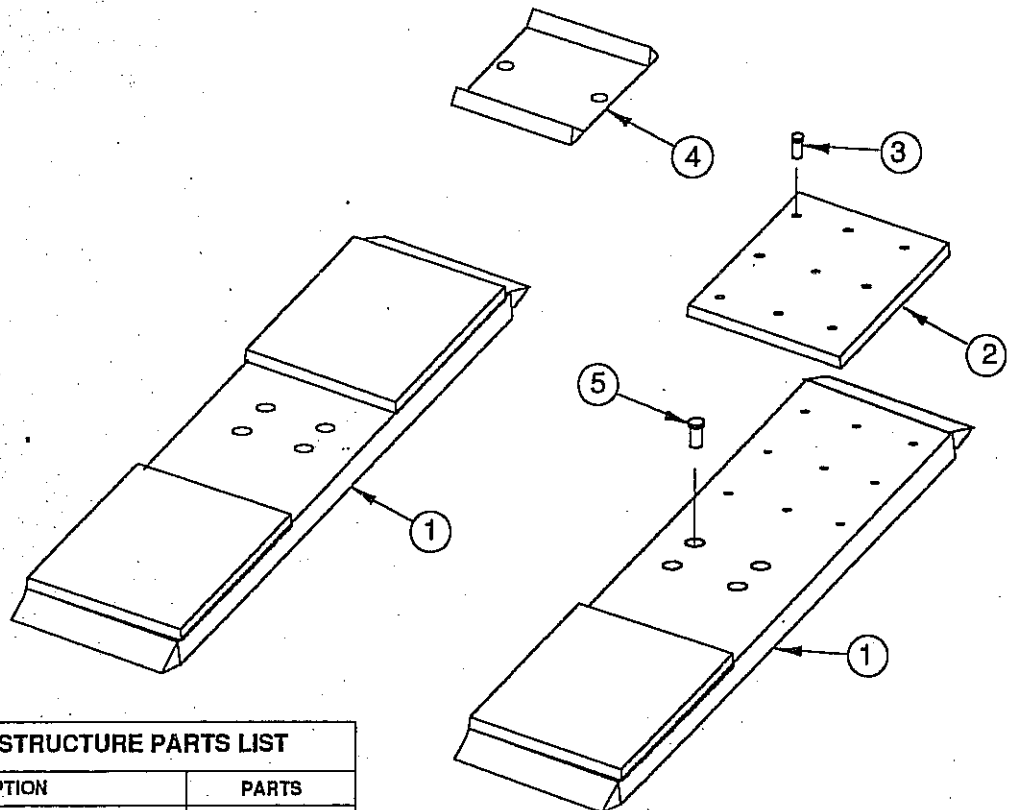
3L28 RUBBER PAD ADAPTER PARTS LIST

| ITEM NO. | DESCRIPTION | PARTS |
|----------|---|----------|
| 1 | Adapter Assembly (consists of PC's 2, 3, 4 & 5) | T110008 |
| 2 | Rectangular Adapter Weldment | FJ7859 |
| 3 | Insert | FJ7864-3 |
| 4 | $\frac{1}{8}$ " x $1\frac{1}{2}$ " Roll Pin (4 Req'd) | 14451 |
| 5 | Adapter Pad | FJ7735-2 |
| 6 | Inner Arm Tube | T120029 |



SL28 ADJUSTABLE PAD SUPERSTRUCTURE PARTS LIST

| ITEM NO. | DESCRIPTION | PARTS |
|----------|---|----------|
| 1 | Pad and Support Assembly | FJ2193 |
| 2 | Yoke | T120026 |
| 3 | Rubber Pad | FJ2177-2 |
| 4 | 1/2" x 1" SDB12BS Blind Pop Rivets (6 Req'd each pad) | 41351 |
| 5 | Wheel Spotting Dish | FF729 |
| 6 | 7/8"-9NC x 2 1/2" Soc. FL C'Sunk Hd CS (8 Req'd) | 40474 |
| 7 | 3/8"-16NC x 5/8" HHCS Gd. 8 P/L (2 Req'd) | 40155 |
| | 3/8"-16NC Hex Nut (2 Req'd) | 40660 |

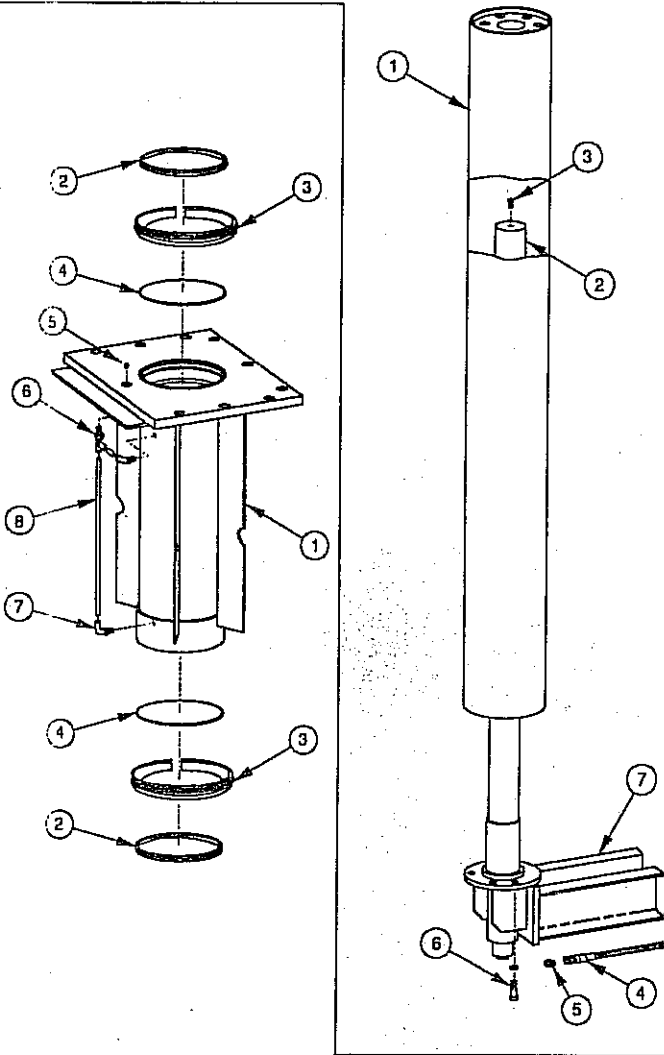


SL28 FIXED PAD SUPERSTRUCTURE PARTS LIST

| ITEM NO. | DESCRIPTION | PARTS |
|----------|---|----------|
| 1 | Pad Assembly | T110015 |
| 2 | Rubber Pad | FJ2252-5 |
| 3 | 1/2" x 1" SDB12BS Blind Pop Rivets (6 Req'd each pad) | 41351 |
| 4 | Wheel Spotting Dish | FF729 |
| 5 | 7/8"-9NC x 2 1/2" Soc. FL C'Sunk Hd CS (8 Req'd) | 40474 |

PLUNGER ASSEMBLY

| ITEM NO. | DESCRIPTION | PARTS |
|-----------|---------------------------------------|----------|
| 1 | Plunger | T120017 |
| 2 | Hydraulic Cylinder | FJ7664 |
| 3 | Bleeder Screw (specify manufacturer) | 2 Req'd |
| 4 | Hose | T140025 |
| 5 | Straight Adapter | FJ7352-3 |
| 6 | 1/2"-13NC x 2" Lg. Soc. Hd. Cap Screw | 40317 |
| | 1/2" Ext. Lock Washer | 40880 |
| 7 | Equalizer | T120006 |
| Not Shown | Bleeder Tool | T120024 |

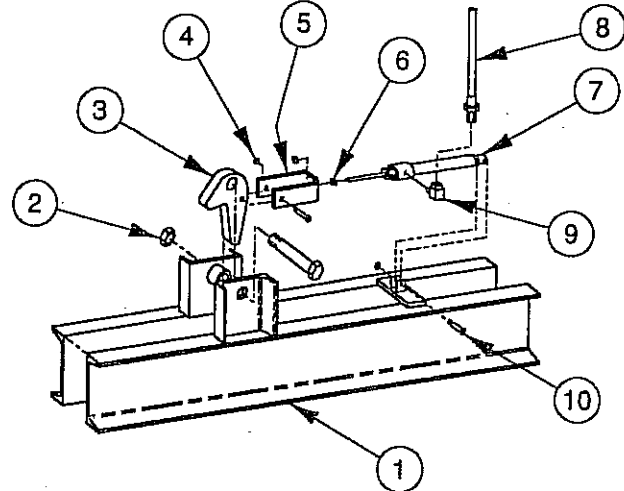


GUIDE BARREL ASSEMBLY (T110012)

| ITEM NO. | DESCRIPTION | PARTS |
|----------|----------------------|------------|
| 1 | Bearing Assembly | T120034 |
| 2 | Wiper | T140018 |
| 3 | Bearing | T140016 |
| 4 | O-Ring | T140024 |
| 5 | Grease/Zerk Fitting | T140007 |
| 6 | Swivel Male Tee | 15107 |
| 7 | Male Elbow Connector | 15105 |
| 8 | 1/4" Nylon Tube | T110007PC9 |

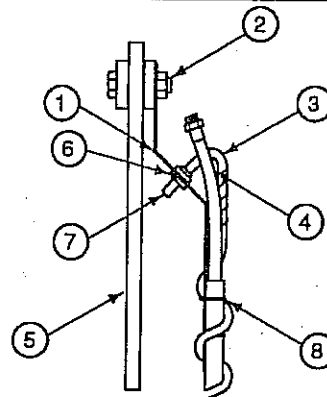
EQUALIZER ASSEMBLY (T110003)

| ITEM NO. | DESCRIPTION | PARTS |
|----------|---|----------|
| 1 | Equalizer | T120006 |
| 2 | 3/4"-10NC x 4 1/2" Lg. HHCS. Zn. Plt. Gd. 5 | 40457 |
| | 3/4"-10NC Hex Nut | 40760 |
| | 3/4" Ext. Tooth Lock Washer | 40995 |
| 3 | Locking Latch | T130015 |
| 4 | 1/2"-20NC x 1 1/2" Lg. HHCS. | 40110 |
| | 1/2"-20NC Hex Lock Nut | 41423 |
| 5 | Clevis | T130014 |
| 6 | 1/4"-28NF Hex Nut | 40648 |
| 7 | Air Cylinder | FC5309-3 |
| 8 | Air Coil Hose | T140030 |
| 9 | Street Elbow | FA299-12 |
| 10 | 1/4"-20NC x 1 1/2" Lg. HHCS. | 40115 |
| | 1/4"-20NC Hex Nylon Insert Lock Nut | 40642 |



HYDRAULIC and AIR LINE CONNECTION

| ITEM NO. | DESCRIPTION | PARTS |
|----------|-------------------------------------|---------|
| 1 | Hose Rod Support | T130099 |
| | 7/8"-9NC x 3" Lg. HHCS Gr. 5 Zn Plt | 40497 |
| 2 | 7/8"-9NC Hex Nut | 40765 |
| | 7/8" Ext. Lock Washer | 41070 |
| 3 | Air Coil Hose | T140030 |
| 4 | Hydraulic Hose | T140013 |
| 5 | Locking Latch Bar | T130001 |
| 6 | Connector | FC147-1 |
| 7 | 90° Elbow | AQ69PS |
| 8 | U-Bolt w/ 1/4"-20 Hex Nuts | T140031 |



Rotary Lift®

ROTARY LIFT
A Dover Industries Company
P.O. Box 1560-0560
Madison, Indiana 47250
Phone toll-free: 1-800-445-LIFT (5438)
(812) 273-1622
FAX: (812) 273-6502

For Export
ROTARY LIFT EXPORT
COMPANY
200 Executive Drive, Suite 320
West Orange, NJ 07052
(201) 325-3535
Telex # 13-8693
FAX: (201) 325-7974

For Canada:
DOVER CORPORATION CANADA -
ROTARY LIFT DIVISION
130 Bridgeland Avenue, Unit 210
Toronto, Ontario, Canada M6A 1Z4
(416) 256-4100
FAX: (416) 256-3924