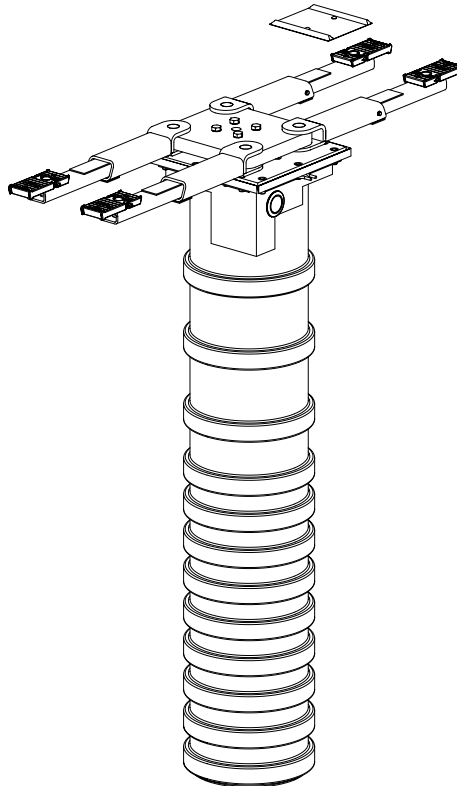




SL19

(300 Series)

Single Plunger Frame Engaging Lift



P
A
R
T
S

B
R
E
A
K
D
O
W
N

IMPORTANT: When ordering parts or requesting service always give exact model and power unit serial number. Model number is shown on nameplate attached to air lock release valve. Power unit serial number is located on side of power unit.

OWNERS RECORD
Complete information at right and keep in a safe place.

Date Installed _____
 Installed in Bay # _____
 Power Unit Serial # _____
 Power Unit Model # _____
 Lift Serial # _____
 Lift Model # _____

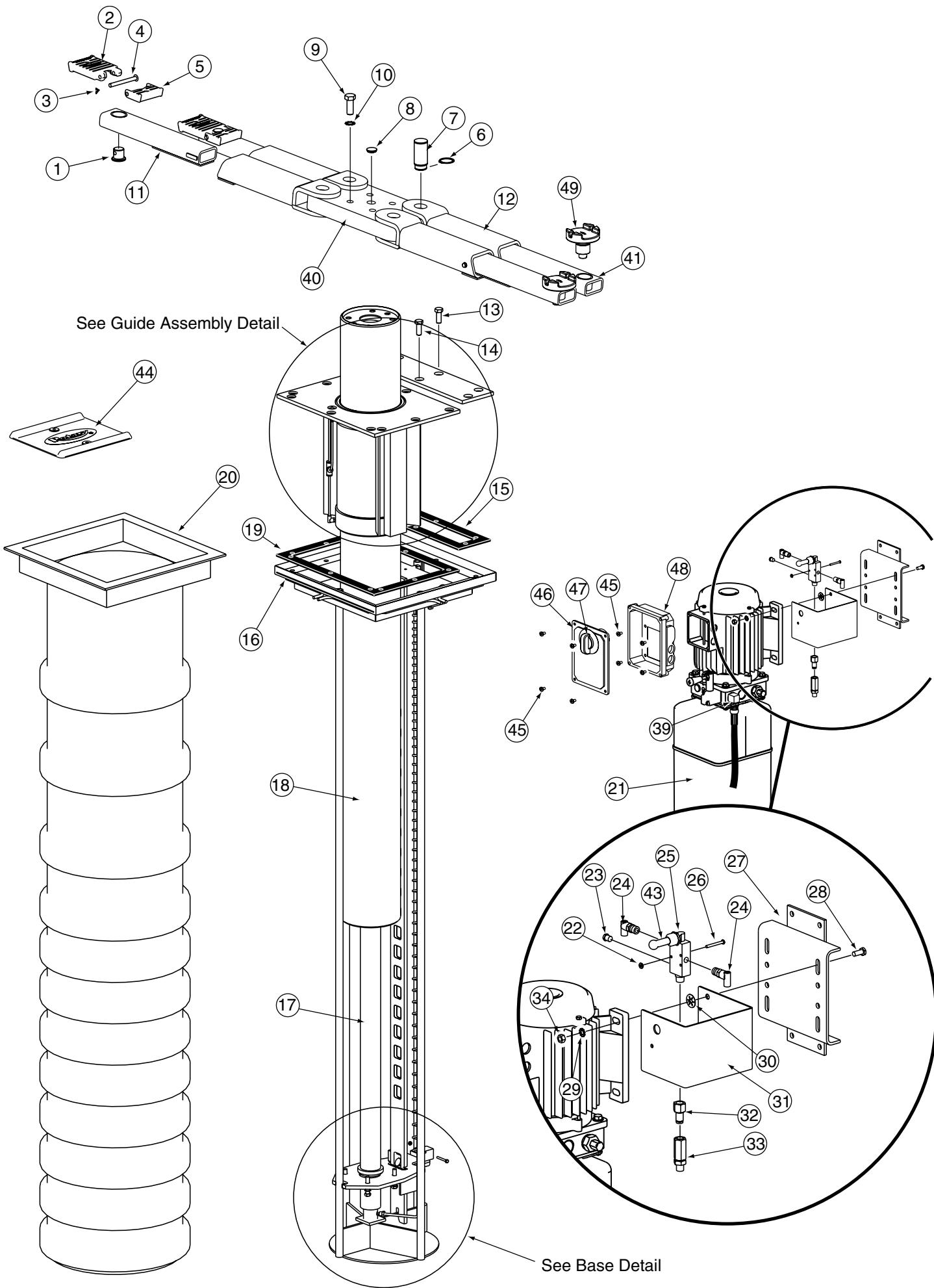
NOTE: For replacement parts -See your nearest Rotary Parts Distributor.



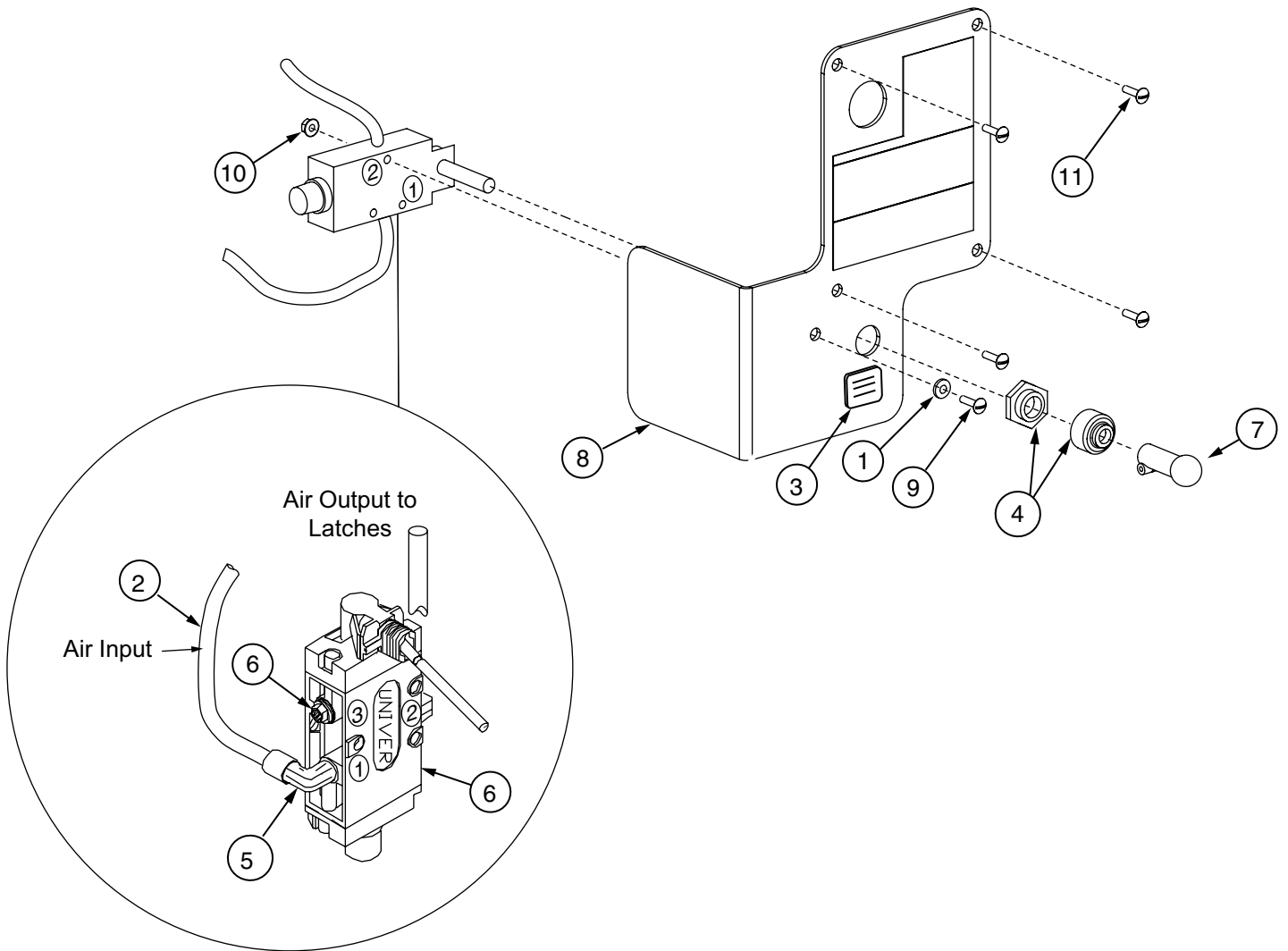
PB5-9-2-3
Rev. C 01/05/2007

ITEM #	DESCRIPTION	PART #	QTY.
1	Adapter Swivel Pin	FJ79-6	4
2	High Step Adapter	FJ671-1	4
3	3/32" Hog Ring	FJ671-6	4
4	Adapter Pin	FJ671-3	4
5	Low Step Adapter	FJ671-2	4
6	Rotor Clip #SH181	T140115	4
7	SL19 Arm Pin	T130308	4
8	Plug Button	T140014	1
9	7/8"-9UNC x 3-1/2" HHCS Grade 5	40498	4
10	7/8"Ext. Tooth Lockwasher	41070	4
11	Inner Tube (for Flip-Up Adapters)	T120142	4
12	Low Profile Outer Tube	T120145	4
13	1/2"-13NC x 2" HHCS Grade 8 Plated	40163	14
14	3/8"-16NC x 1" Hex Washer Head Tap Screw	40076	2
15	Access Panel Gasket	T140091	1
16	Inner Frame Assembly	T120127	1
17	Hydraulic Cylinder	FJ7604	1
18	Plunger Assembly	T120120	1
19	Guide Barrel Gasket	T140094	1
20	Containment Tube	T140092	1
21	Power Unit		1
	Single Phase	*P1002/P3002	
	Three Phase	*P1047/P3047	
22	#8-32NC Nylon Insert Lock Nut	40649	1
23	Brass Filter	T140075	1
24	Swivel Elbow	T140074	2
25	Air Lock Valve	T140073	1
26	#8-32NC x 1-1/2" Rnd Head Machine Screw	40007	1
27	Power Unit Wall Bracket	T120020	1
28	5/16"-18NC x 1-1/2" HHCS Zinc Plated Full Thread	40271	4
29	5/16" Ext. Tooth Lock Washer Plated	40854	4
30	5/16" Push Nut	FC5209	4
31	Air Lock Valve Mounting Bracket	T130187	1
32	1/4" Push-In 1/4" NPT Female Fitting	T140081	1
33	Filter	FA3134-12	1
34	5/16"-18NC Hex Nut	40670	4
35	Number Not Used	N/A	-
36	Number Not Used	N/A	-
37	Number Not Used	N/A	-
38	Number Not Used	N/A	-
39	Swivel Elbow	FJ7224	1
40	Superstructure	T120146	1
41	Inner Tube (for R/A Adapter)	T120188	4
42	Number Not Used	N/A	-
43	Air Valve Handle	T140119	1
44	Wheel Spotting Dish Kit (w/ Drive Anchors)	FF729	1
45	M5 X 10 PHMS, Plated	40275	8
46	Capacitor Box Cover	FA7203-1	1
47	3 Phase Drum Switch	FA7205	1
	3 Phase Drum Switch Handle	FA7205-1	1
48	Capacitor Box	FA7147-1	1
49	R/A Adapter	FJ6161	4

* Two different power units were used. Please verify your exact model number before ordering replacement parts.

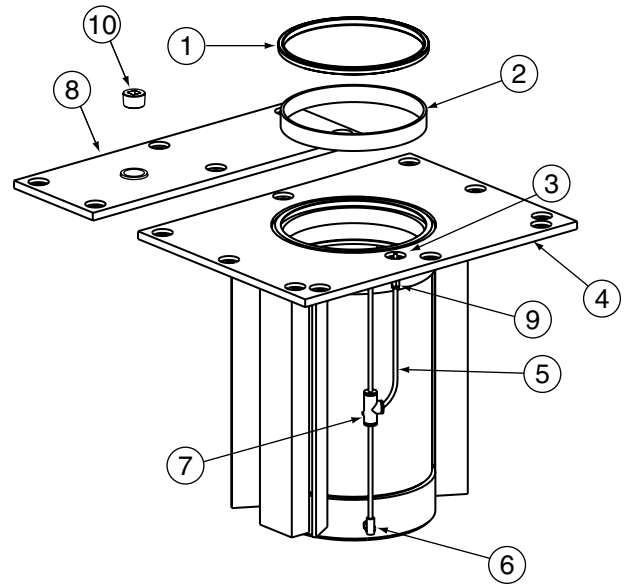


AIR LOCK RELEASE VALVE DETAIL		
ITEM NO.	DESCRIPTION	PART NO.
1	#8 SAE Flat Washer	40788
2	1/4" Tubing	FC2230-2
3	Nameplate	NP280
4	Control Ass'y.	T140073
5	Swivel Elbow	T140074
6	Filter / Muffler	T140075
7	Air Lock Handle	T140119
8	Control Bracket 1Ø	S110274
	Control Bracket 3Ø	S110286
9	#8-32NC x 1-1/2" PHMS	40007
10	#8-32NC Nylon Locknut	40649
11	M5 x 0.8 PHMS 3Ø	41549



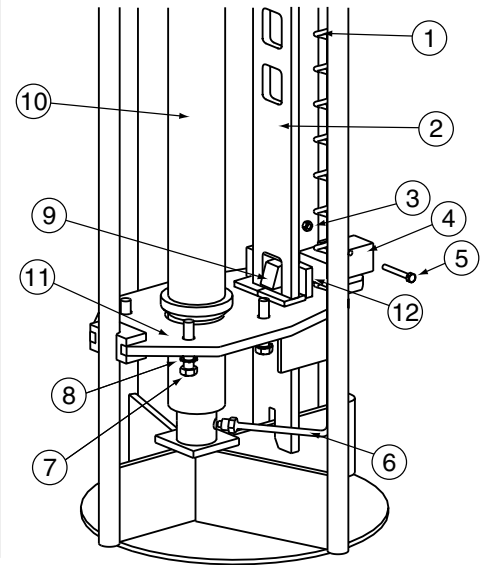
GUIDE ASSEMBLY DETAIL

ITEM	DESCRIPTION	PART	QTY.
1	8-1/2" Wiper Seal	T140118	2
2	8-1/2" Jack Bearing	T140148	2
3	Grease/Zerk Fitting	T140007	1
4	Guide Assembly	T120124	1
5	1/4" x 26" Nylon Tube	T140213	3
6	Elbow	FA3134-6	2
7	Union Tee	FC5225-46	1
8	Access Panel	T120199	1
9	Male Connector	FC5225-47	1
10	1" NPT Pipe Plug	12011	1



BASE DETAIL

ITEM	DESCRIPTION	PART	QTY.
1	Air Hose	T140096	1
2	Lock Bar Assembly	T120128	1
3	1/4"-20NC Nylon Insert Locknut	40642	1
4	Air Cylinder	T140116	1
5	1/4"-20NC x 2-1/2" HHCS Grade 5 Plated	40503	1
6	Oil Line	T140095	1
7	1/2"-13NC x 2-1/2" HHCS Plated	40330	4
8	1/2" Ext. Tooth Lockwasher Plated	40880	4
9	SL19 Lock Pin	T130268	1
10	Hydraulic Cylinder	FJ7604	1
11	Lock Plate Assembly (with Bearings)	T120140	1
12	5/16"-24NC Hex Jam Nut	40672	1



Notes

Notes

Rotary World Headquarters

2700 Lanier Drive
Madison, IN 47250, USA
www.rotarylift.com

North America Contact Information

Tech. Support: p 800.445.5438
f 800.578.5438
e userlink@rotarylift.com
Sales: p 800.640.5438
f 800.578.5438
e userlink@rotarylift.com

World Wide Contact Information

World Headquarters/USA: 1.812.273.1622
Canada: 1.905.812.9920
European Headquarters/Germany: +49.771.9233.0
United Kingdom: +44.178.747.7711
Australasia: +60.3.7660.0285
Latin America / Caribbean: +54.3488.431.608
Middle East / Northern Africa: +49.771.9233.0

© Rotary®, Printed in U.S.A., All Rights Reserved. Unless otherwise indicated, ROTARY, DOVER and all other trademarks are property of Dover Corporation and its affiliates.



A DOVER COMPANY

