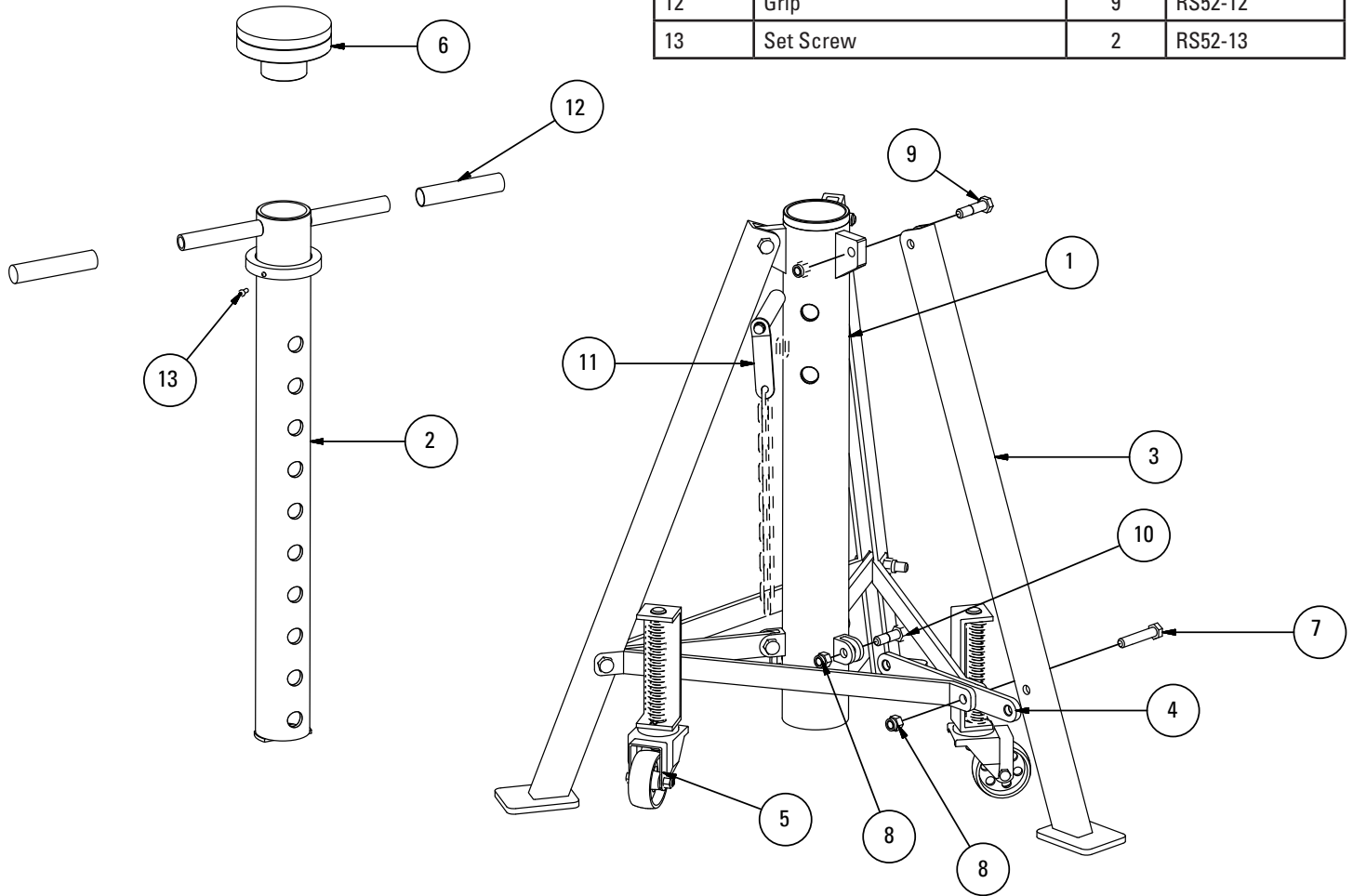


# RS52

## Jack Stand 15,000 LBS

ITEM	DESCRIPTION	QTY.	PART NO.
1	Main Tube	1	RS52-1
2	Removal Tube	1	RS52-2
3	Leg	3	RS52-3
4	Link	3	RS52-4
5	Spring Loaded Wheels	3	RS52-5
6	Saddle	1	RS52-6
7	Screw	3	RS52-7
8	Nut	9	RS52-8
9	Screw	3	RS52-9
10	Screw	3	RS52-10
11	Load Pin	1	RS52-11
12	Grip	9	RS52-12
13	Set Screw	2	RS52-13



### Rotary World Headquarters

2700 Lanier Drive  
Madison, IN 47250, USA  
www.rotarylif.com

### North America Contact Information

Tech. Support: p 800.445.5438  
f 800.578.5438  
e userlink@rotarylif.com  
Sales: p 800.640.5438  
f 800.578.5438  
e userlink@rotarylif.com

### World Wide Contact Information

World Headquarters/USA: 1.812.273.1622  
Canada: 1.905.812.9920  
European Headquarters/Germany: +49.771.9233.0  
United Kingdom: +44.178.747.7711  
Australasia: +60.3.7660.0285  
Latin America / Caribbean: +54.3488.431.608  
Middle East / Northern Africa: +49.771.9233.0



A DOVER COMPANY



© Rotary®, Printed in U.S.A., All Rights Reserved. Unless otherwise indicated, ROTARY, DOVER and all other trademarks are property of Dover Corporation and its affiliates.

**PB25-11-4**

Rev.-- 10/24/2006