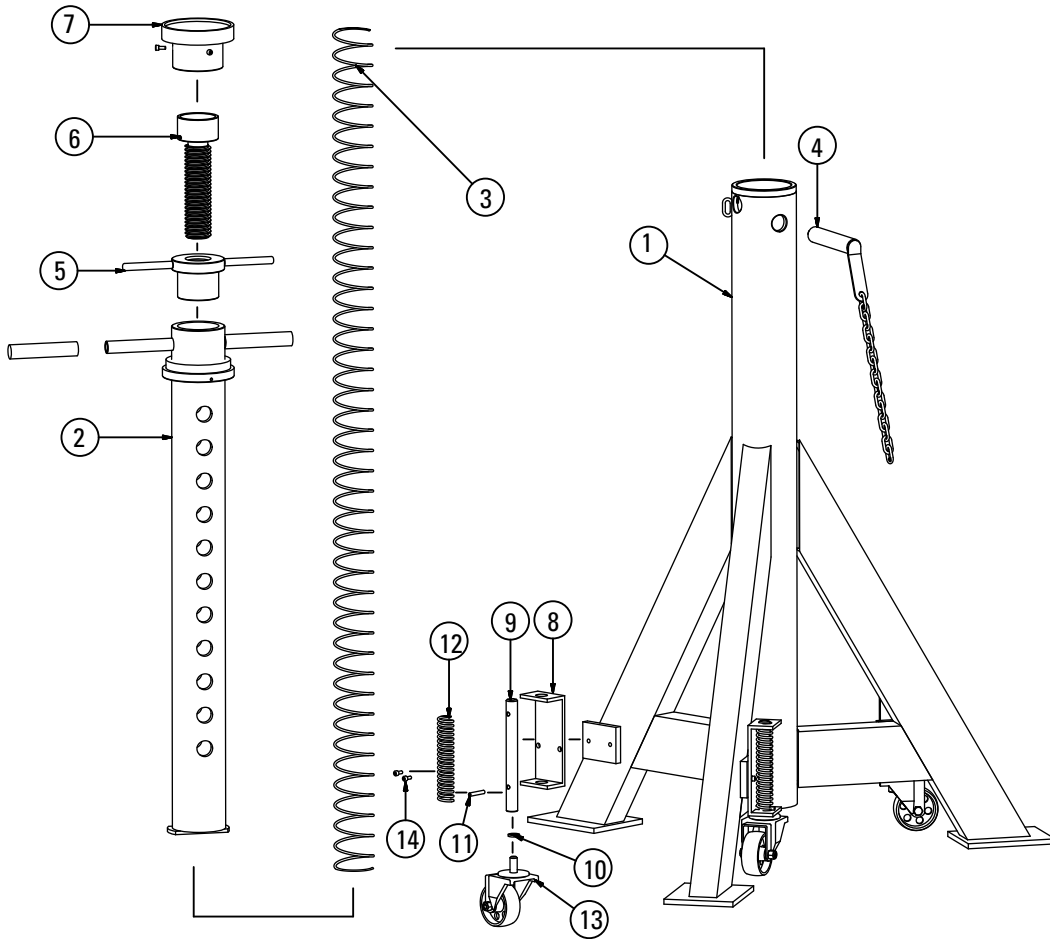


RS33

Jack Stand 33,000 LBS



ITEM	DESCRIPTION	QTY.	PART NO.
1	Stand Body	1	RS33-1
2	Removal Tube	1	RS33-2
3	Spring	1	RS33-3
4	Load Pin	1	RS33-4
5	Swivel Adapter	1	RS33-5
6	Spindle Assy.	1	RS33-6
7	Saddle	1	RS33-7

ITEM	DESCRIPTION	QTY.	PART NO.
8	Frame	3	RS33-8
9	Axle	3	RS33-9
10	Washer	3	RS33-10
11	Spring Pin	3	RS33-11
12	Spring	3	RS33-12
13	Caster	3	RS33-13
14	Screw	6	RS33-14

Rotary World Headquarters

2700 Lanier Drive
Madison, IN 47250, USA
www.rotarylif.com

North America Contact Information

Tech. Support: p 800.445.5438
f 800.578.5438
e userlink@rotarylif.com
Sales: p 800.640.5438
f 800.578.5438
e userlink@rotarylif.com

World Wide Contact Information

World Headquarters/USA: 1.812.273.1622
Canada: 1.905.812.9920
European Headquarters/Germany: +49.771.9233.0
United Kingdom: +44.178.747.7711
Australasia: +60.3.7660.0285
Latin America / Caribbean: +54.3488.431.608
Middle East / Northern Africa: +49.771.9233.0



A DOVER COMPANY



© Rotary®, Printed in U.S.A., All Rights Reserved. Unless otherwise indicated, ROTARY, DOVER and all other trademarks are property of Dover Corporation and its affiliates.

PB25-11-5

Rev.-- 7/30/2007