

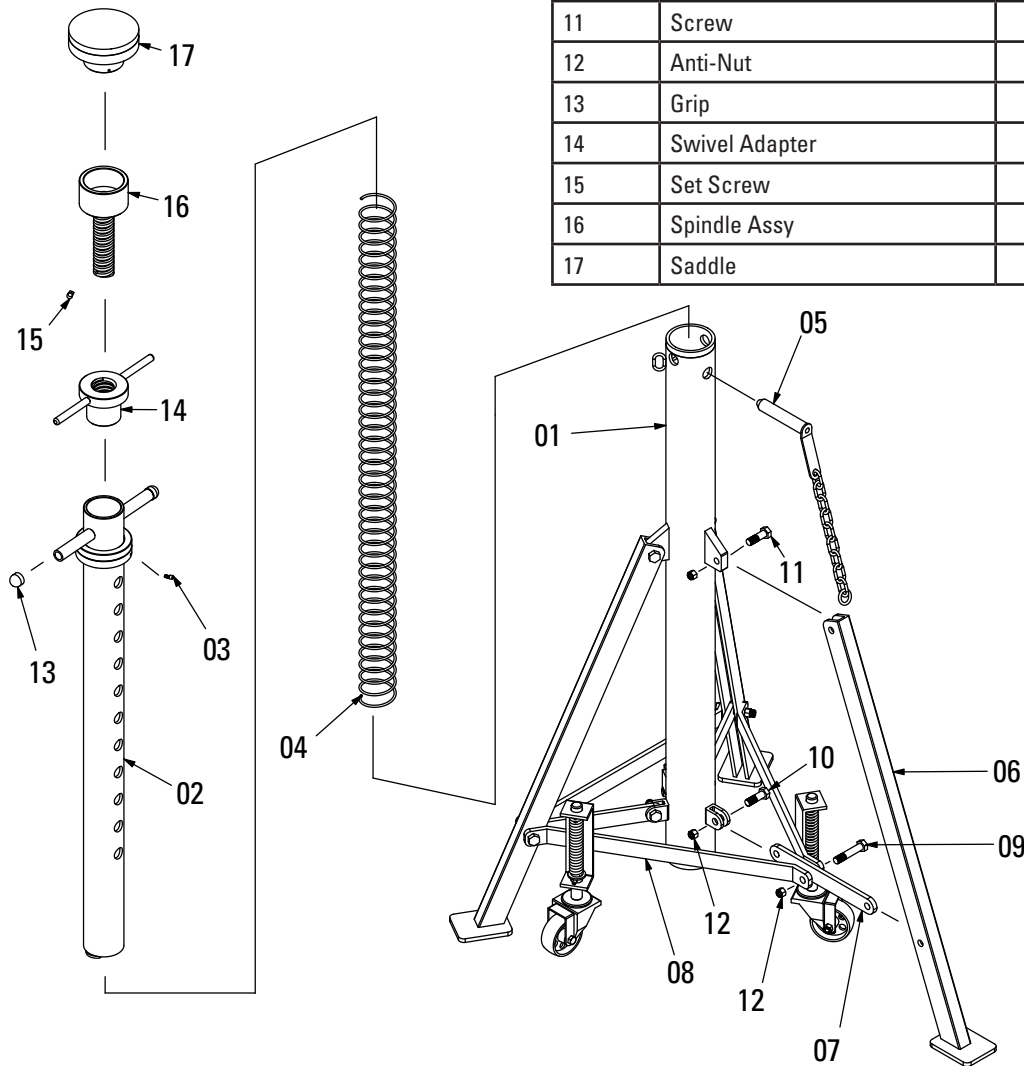
RS18

Jack Stand 18,000 lbs.

RS15

Jack Stand 15,000 lbs.

ITEM	DESCRIPTION	QTY.	PART NO.
1	Main Tube RS18	1	RS18-1
	Main Tube RS15	1	RS15-1
2	Removal Tube	1	RS15-2
3	Set Screw	2	RS15-3
4	Spring	1	RS15-4
5	Load Pin RS18	1	RS18-5
	Load Pin RS15	1	RS15-5
6	Leg	3	RS15-6
7	Link	3	RS15-7
8	Spring Loaded Wheel Assembly	3	RS15-8
9	Screw	3	RS15-9
10	Screw	3	RS15-10
11	Screw	3	RS15-11
12	Anti-Nut	9	RS15-12
13	Grip	2	RS15-13
14	Swivel Adapter	1	RS15-14
15	Set Screw	1	RS15-15
16	Spindle Assy	1	RS15-16
17	Saddle	1	RS15-17



Rotary World Headquarters

2700 Lanier Drive
Madison, IN 47250, USA
www.rotarylif.com

North America Contact Information

Tech. Support: p 800.445.5438
f 800.578.5438
e userlink@rotarylif.com
Sales: p 800.640.5438
f 800.578.5438
e userlink@rotarylif.com

World Wide Contact Information

World Headquarters/USA: 1.812.273.1622
Canada: 1.905.812.9920
European Headquarters/Germany: +49.771.9233.0
United Kingdom: +44.178.747.7711
Australasia: +60.3.7660.0285
Latin America / Caribbean: +54.3488.431.608
Middle East / Northern Africa: +49.771.9233.0



A DOVER COMPANY



© Rotary®, Printed in U.S.A., All Rights Reserved. Unless otherwise indicated, ROTARY, DOVER and all other trademarks are property of Dover Corporation and its affiliates.

PB25-11-3

Rev. A 5/12/2008