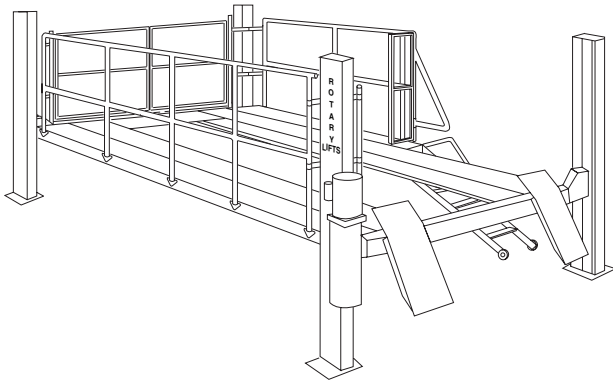




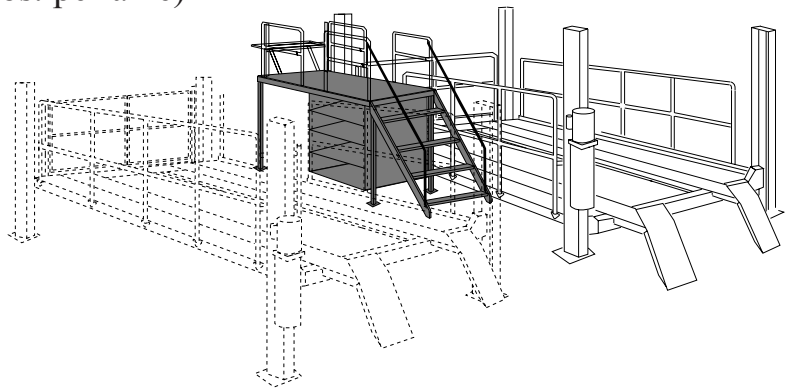
QL4P (200 Series)

Capacity 10,500 lbs. (5,250 lbs. per axle)



QLHV (200 Series)

Capacity 10,000 lbs. (5,000 lbs. per axle)



IMPORTANT: When ordering parts or requesting service always give exact model and power unit serial number. Model number is shown on nameplate attached to air lock release valve. Power unit serial number is located on side of power unit.

OWNERS RECORD
Complete information
at right and keep in
a safe place.

Date Installed _____

Installed in Bay # _____

Power Unit Serial # _____

Power Unit Model # _____

Lift Serial # _____

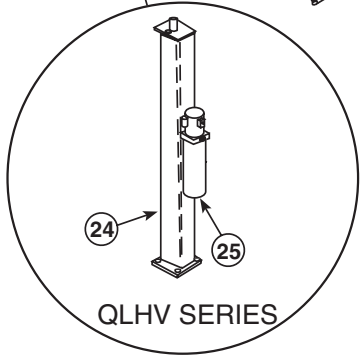
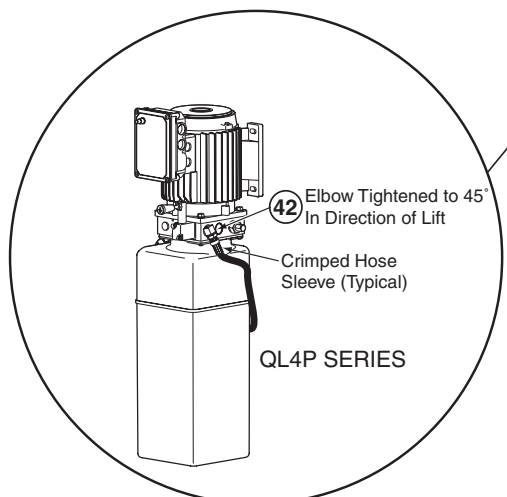
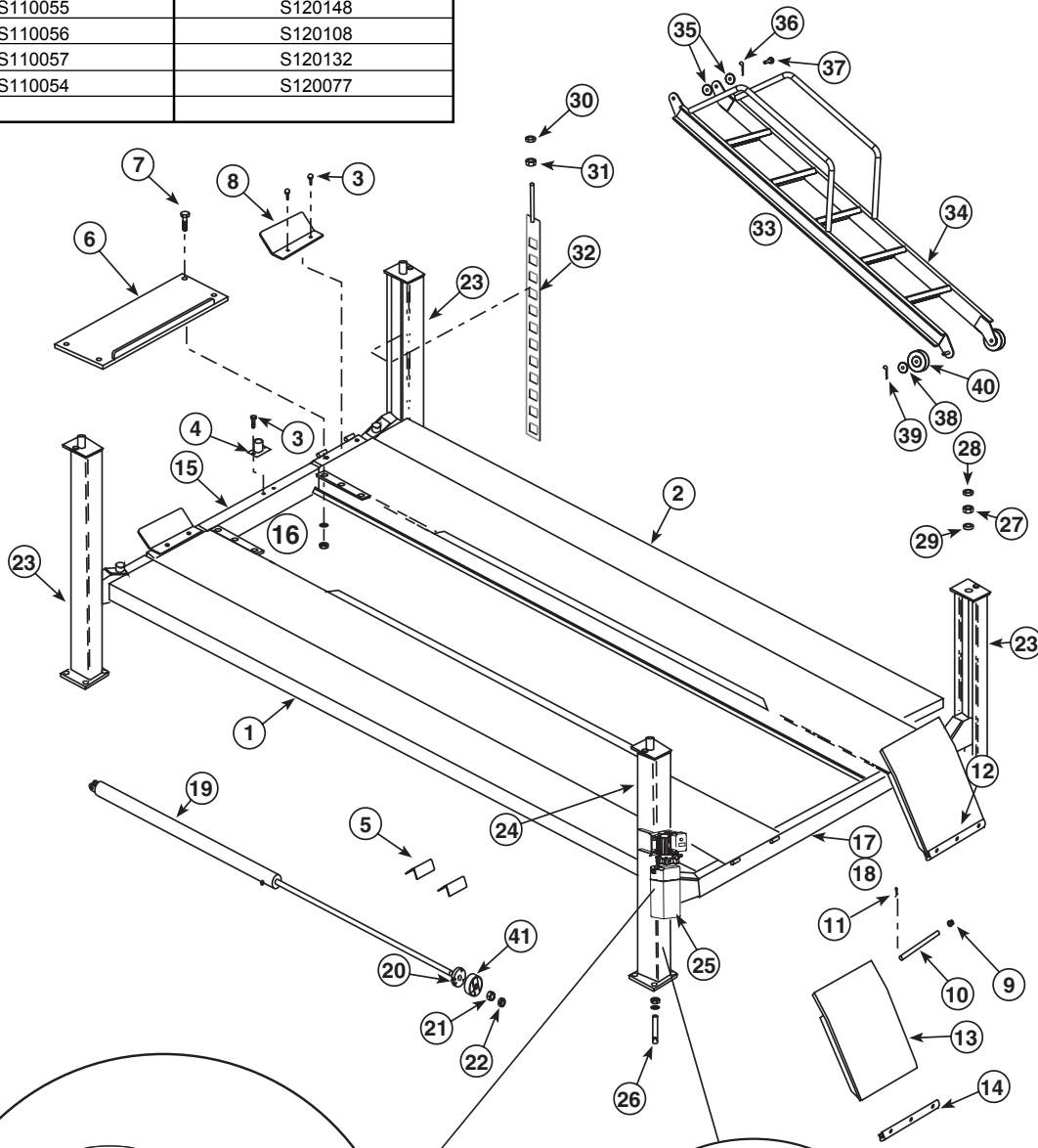
Lift Model # _____

NOTE: For replacement parts -See your nearest Rotary Parts Distributor.

PB 2-3-5-6

Rev. F 1/18/2005

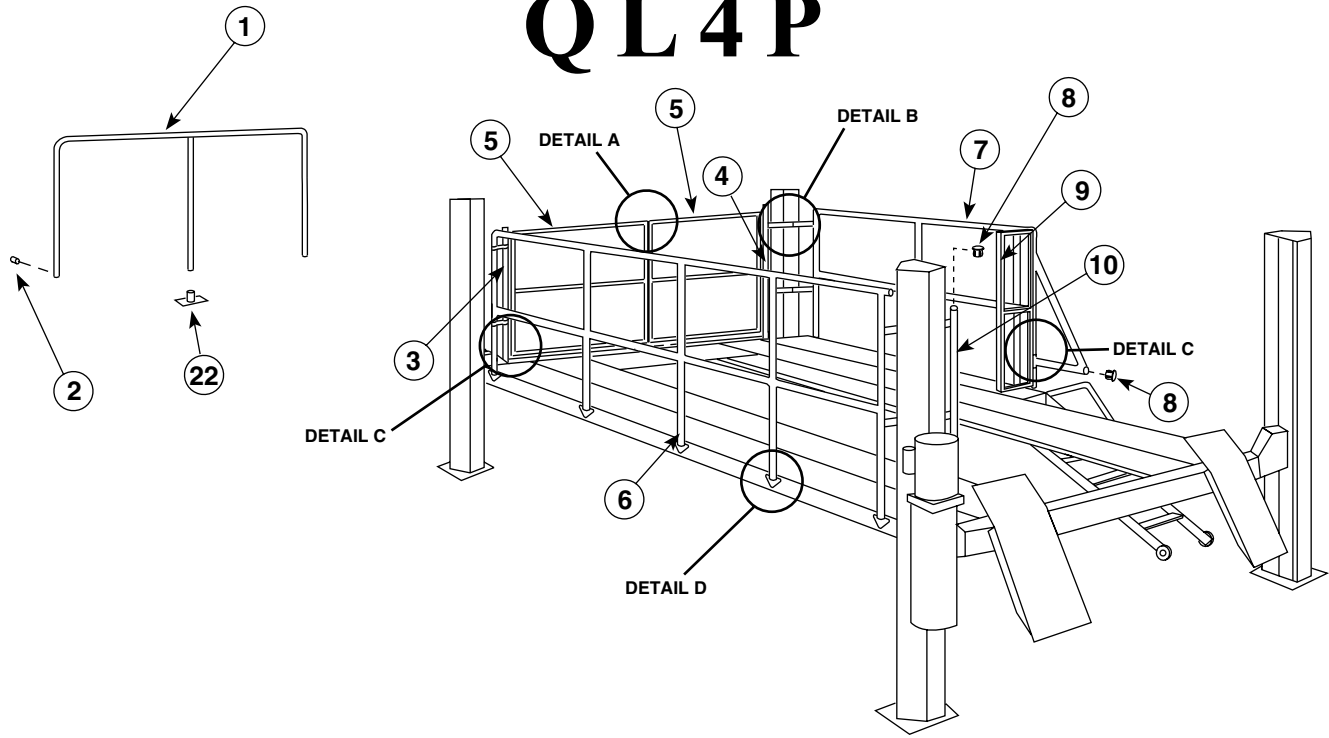
RUNWAYS		
Lift Model No.	Left Hand Runway Assembly (Includes cylinder, cables and sheaves)	Right Hand Runway Weldment
QLHV-207	S110054	S120106
QLHV-208	S110055	S120148
QLHV-209	S110054	S120106
QLHV-210	S110055	S120148
QLHV-211	S110056	S120108
QLHV-212	S110057	S120132
QL4P-210,211	S110054	S120077



REPLACEMENT PARTS

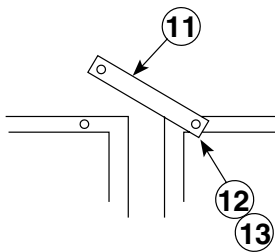
ITEM NO.	DESCRIPTION	PART NO.	
1	Left Hand Runway Assembly (Includes: cylinder, cables and sheaves)	Table on Opposite Page	
2	Right Hand Runway Assembly		
3	1/2"-13NC x 1 1/4" Flg. Whiz-Lock HHCS ZPL	40279	
4	Center Support	FC5459-1	
5	Triangular Wheel Chock	FC320	
6	Center Manway	FC5239	
7	3/8" -16NC Hex Head Cap Screw x 1" Lg. Bolt	40140	
	3/8" -16NC Hex Nut	40657	
	3/8" - Flat Washer (2 req.'d)	40820	
8	Wheel Stop	FC342	
9	5/8" Push-nut Fastener-TRW #PW625019 (or equal)	FC5179-4	
10	Hinge Pin	FC134-99	
11	5/32" x 1" Cotter Pin	41202	
12	Ramp Chock Assembly	S110016	
13	Ramp Chock Weldment	S120072	
14	Ramp Chock Slide	FC134-33	
15	Front Yoke Weldment	S120135	
16	Front Yoke Assembly (Includes Latches)	S110059	
17	Rear Yoke Weldment	S120145	
18	Rear Yoke Assembly	S110060	
19	Hydraulic Cylinder	S130002	
20	Cable Pull Bar	S120075	
21	1 3/8"-6NC Hex Nut	40771	
22	1 3/8"-6NC Hex Jam Nut	40773	
23	Column	S110049	
24	Power Unit Column	S120033	
25	Power Unit	QL4P, 1Ø	P1014
		QLHV, 1Ø	P1061
		QLHV, 3Ø	PR030211
		QL4P, 3Ø	PR010957
26	5/8" Anchor Bolt	FC5228	
27	7/8"-9NC Hex Nut	40765	
28	7/8"-9NC Hex Jam Nut	40766	
29	7/8" Flat Washer	41073	
30	3/4"-10NC Hex Jam Nut	40759	
31	3/4"-10NC Hex Nut	40760	
32	Latch Bar	S120028	
33	Ladder Assembly	FC5238	
34	Ladder	FC5238-1	
35	1/2" Plain Washer	40940	
36	1/8" x 1" Cotter Pin	41200	
37	Clevis Pin	FC5238-8	
38	1/2" SAE Washer	40920	
39	1/8" x 1" Cotter Pin S107	41200	
40	4" x 1 1/4" Wheel	FJ2271-1	
41	Cable Retainer	S120068	
42	Elbow	P1028-4	

QL4P

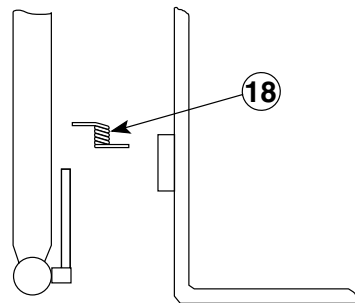


RAILINGS

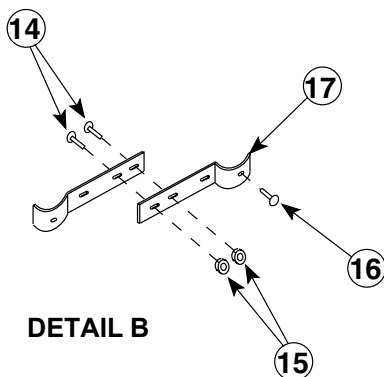
ITEM NO.	DESCRIPTION	PART NO.	ITEM NO.	DESCRIPTION	PART NO.
1	Front Railing	FC5444	12	Push Nut	40721
2	3/8"-16NC Set Screw x 1/2" Lg.	40125	13	Gate Pin	FC5237-25
3	Left Gate Post	FC5466	14	1/4"-20NC x 1/2" Lg. Hex Cap Screw	40062
4	Right Gate Post	FC5469	15	1/4"-20NC Hex Flanged Lock Nut	40641
5	Gate Section	FC5237-15	16	1/4"-20NC x 1/2" Lg. Hex Tapping Screw	40067
6	Long Railing	FC5509	17	Adjustable Strap	FC5470
7	Short Railing	FC5510	18	Gate Torsion Spring	FC5237-27
8	Plastic Plug	Kee Klamp #77-7	19	3/8"-16NC Hex Cap Screw x 1" Lg.	40139
9	Small Gate	FC5237-8	20	3/8" Washer	40820
10	Rear Post	FC5746	21	3/8"-16NC Hex Nut	40657
11	Gate Latch	FC5237-31	22	Center Support (QL4P-100 only)	FC5459-1



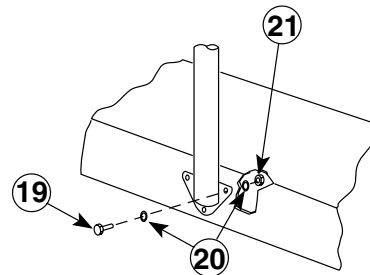
DETAIL A



DETAIL C

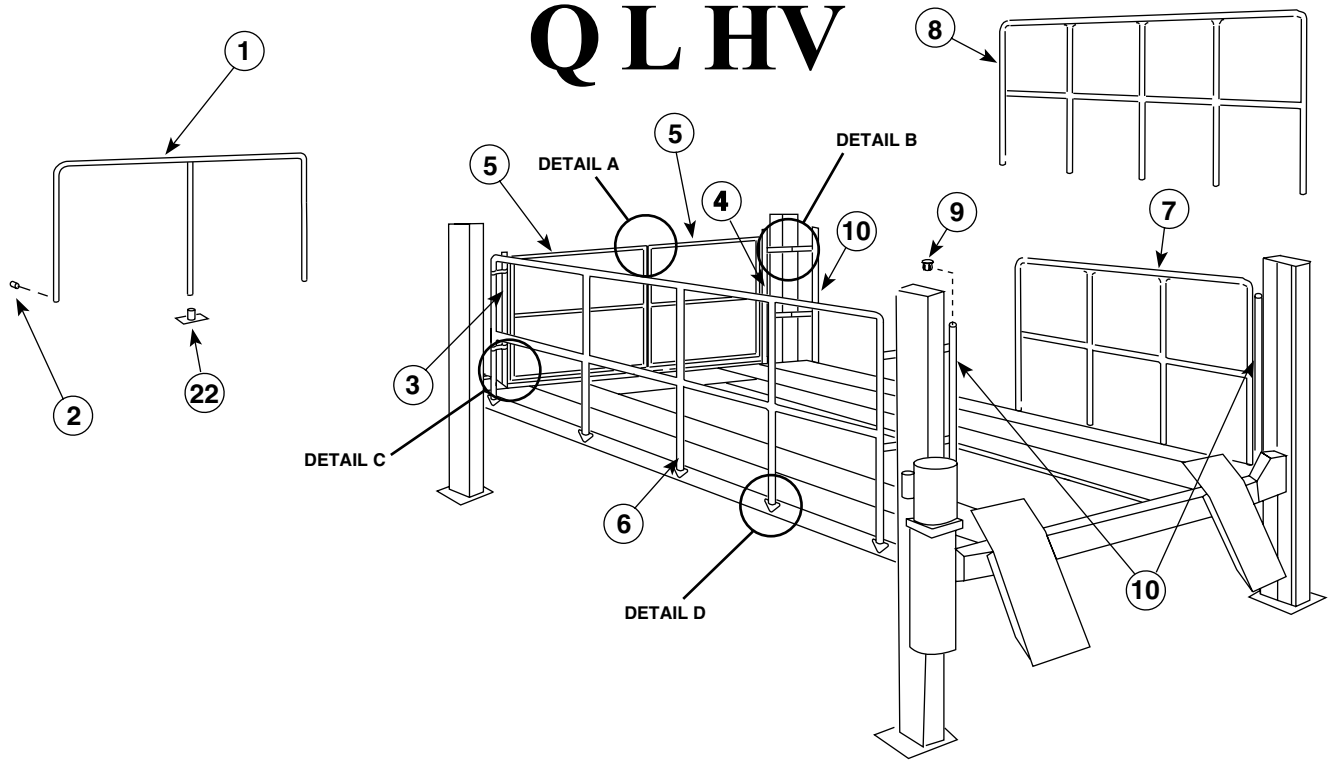


DETAIL B

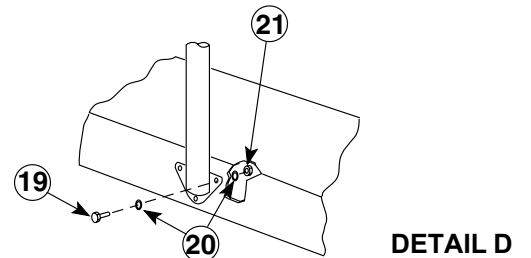
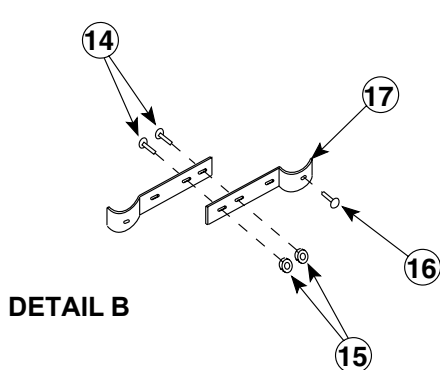
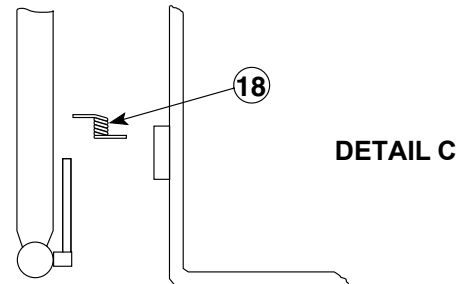
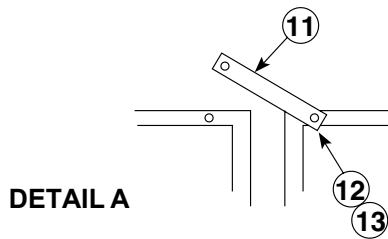


DETAIL D

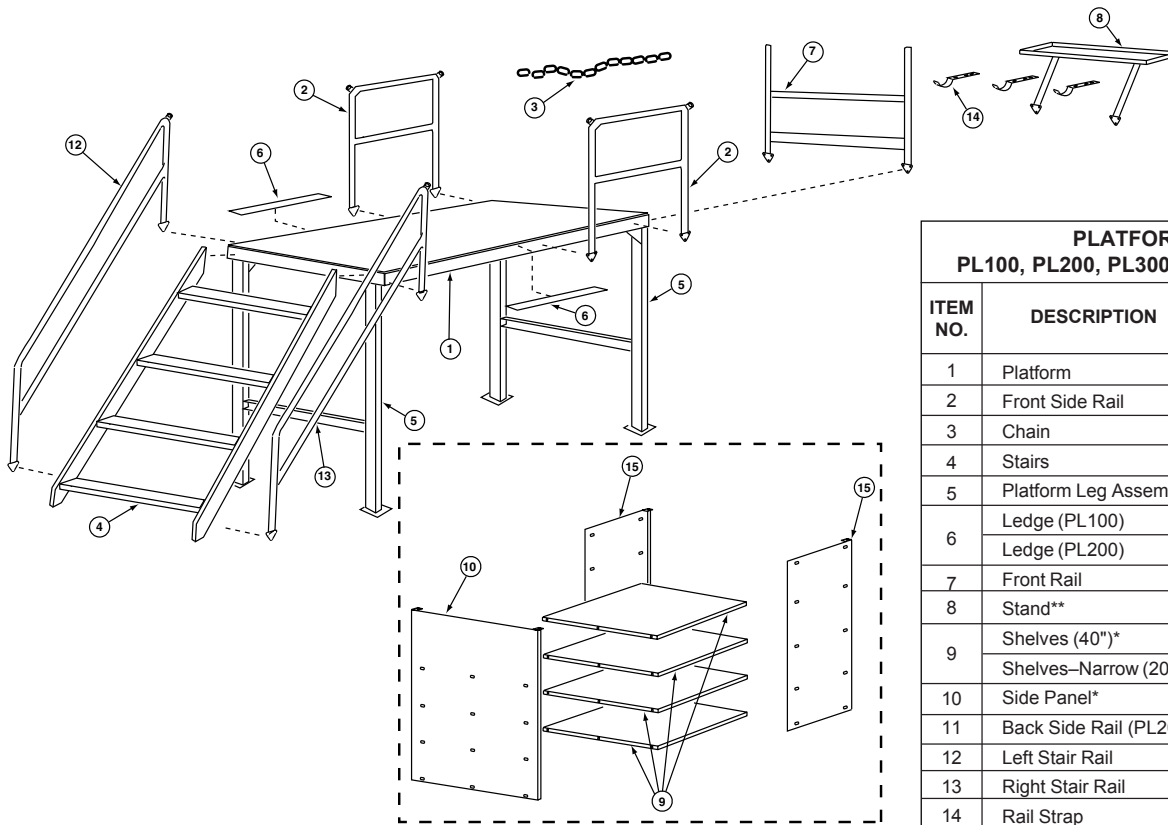
QLHV



RAILINGS					
ITEM NO.	DESCRIPTION	PART NO.	ITEM NO.	DESCRIPTION	PART NO.
1	Front Railing	FC5444	12	Push Nut	40721
2	3/8"-16NC Set Screw x 1/2" Lg.	40125	13	Gate Pin	FC5237-25
3	Left Gate Post	FC5466	14	1/4"-20NC x 1/2" Lg. Hex Cap Screw	40062
4	Right Gate Post	FC5469	15	1/4"-20NC Hex Flanged Lock Nut	40641
5	Gate Section	FC5237-15	16	1/4"-20NC x 1/2" Lg. Hex Tapping Screw	40067
6	Long Railing	FC5509	17	Adjustable Strap	FC5470
7	Short Railing	FC5745	18	Gate Torsion Spring	FC5237-27
8	Intermediate Railing	FC5744	19	3/8"-16NC Hex Cap Screw x 1" Lg.	40139
9	Plastic Plug	Kee Klamp #77-7	20	3/8" Washers	40820
10	Rail Post	FC5746	21	3/8"-16NC Hex Nut	40657
11	Gate Latch	FC5237-31	22	Center Support	FC5459-1

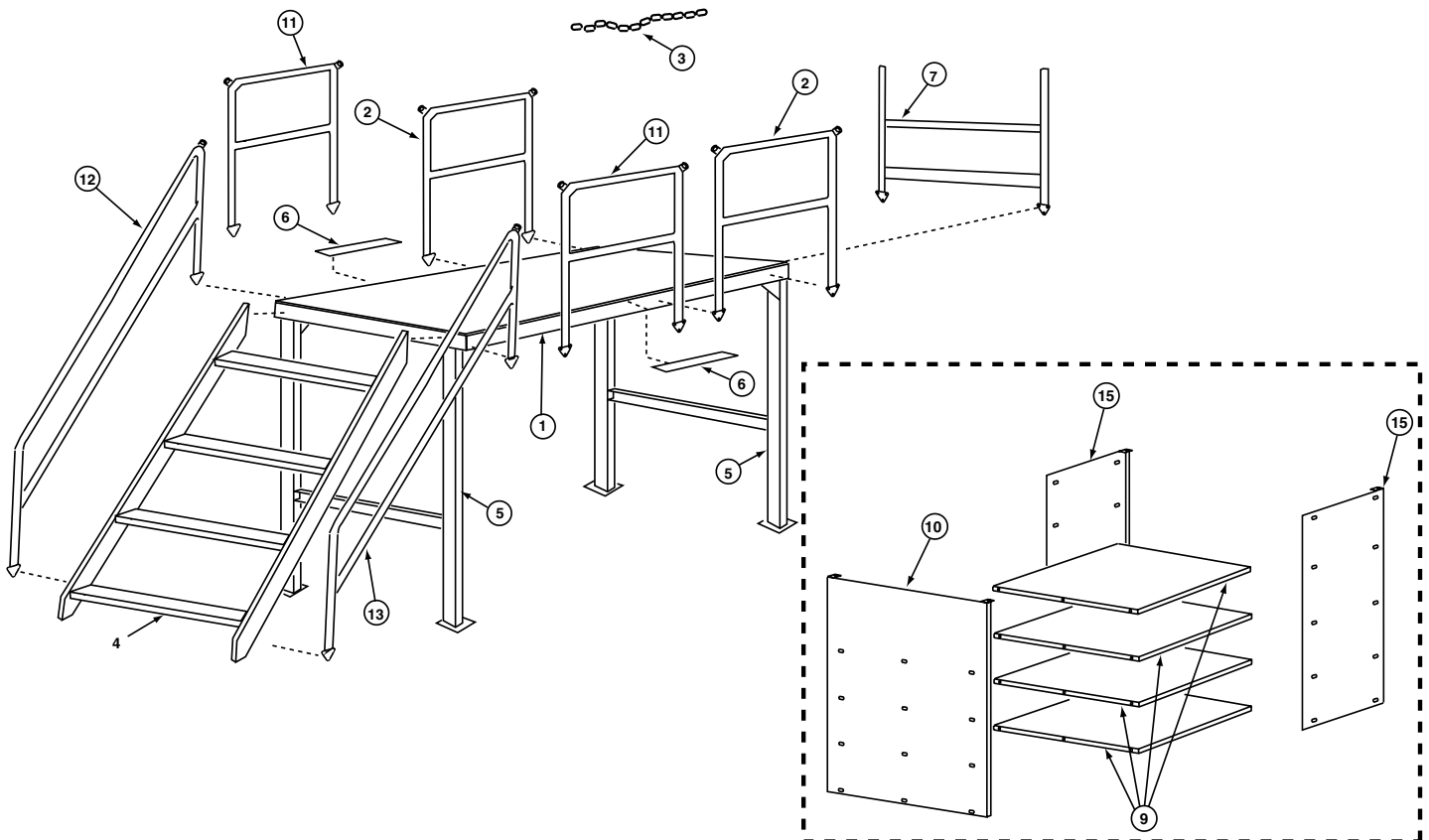


PL100-200 and PL300-200* Platforms



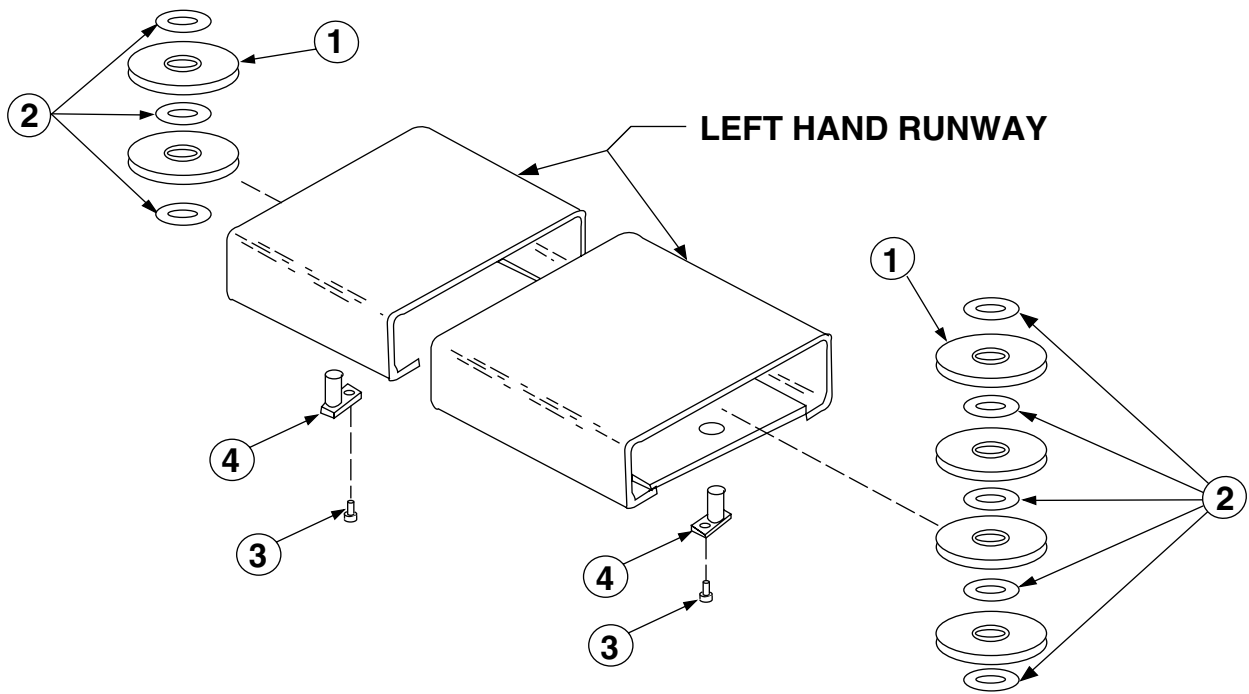
PLATFORMS PL100, PL200, PL300, PL400, PL500			
ITEM NO.	DESCRIPTION	PART NO.	
		PL100 to 400	PL500 only
1	Platform	PL101	PL501
2	Front Side Rail	PL106	PL106
3	Chain	13188	13188
4	Stairs	PL114	PL507
5	Platform Leg Assembly	PL113	PL506
6	Ledge (PL100)	PL101-7	PL101-7
6	Ledge (PL200)	PL202	PL202
7	Front Rail	PL105	PL505
8	Stand**	PL108	-
9	Shelves (40")*	PL109-1	-
	Shelves-Narrow (20")*	PL110-1	-
10	Side Panel*	PL109-2	-
11	Back Side Rail (PL200)	PL201	PL201
12	Left Stair Rail	PL107	PL107
13	Right Stair Rail	PL104	PL104
14	Rail Strap	FC5470	FC5470
15	Narrow Side Panels*	PL109-5	-

PL200-200 and PL400-200* Platforms

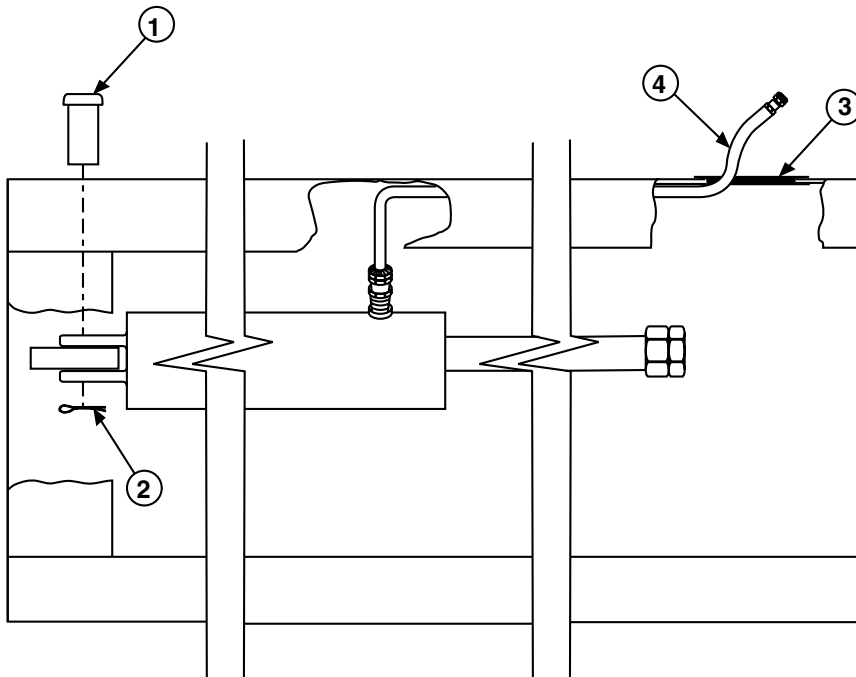


*Shelving not available for PL300, PL400 or PL500.

**Not available on PL500.

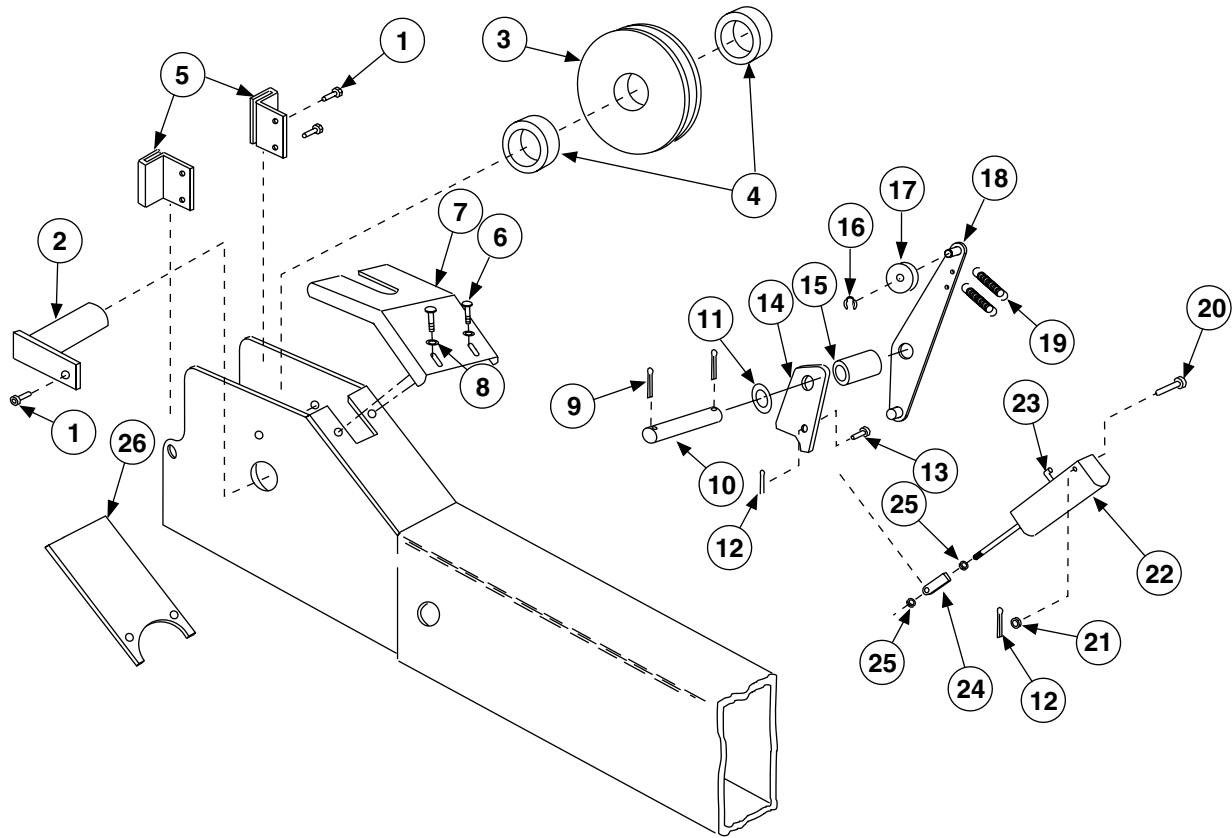


SHEAVE DETAIL		
ITEM NO.	DESCRIPTION	PART NO.
1	Sheave	FC5804-2
2	Plastic Bearing	FC5843-3
3	5/16\"-18NC HHCS x 3/4\" Lg.	40252
4	Sheave Pin	FC555-1



HYDRAULIC HOSE DETAIL			
ITEM #	DESCRIPTION	PRODUCT #	
1	Clevis Pin	FC5346-1	
2	3/16\" x 1-1/4\" Lg. Cotter Pin	41247	
3	Grommet	2 1/2\" Hole	S130015
		1 1/2\" Hole	S130063
4	Hose	S130012	

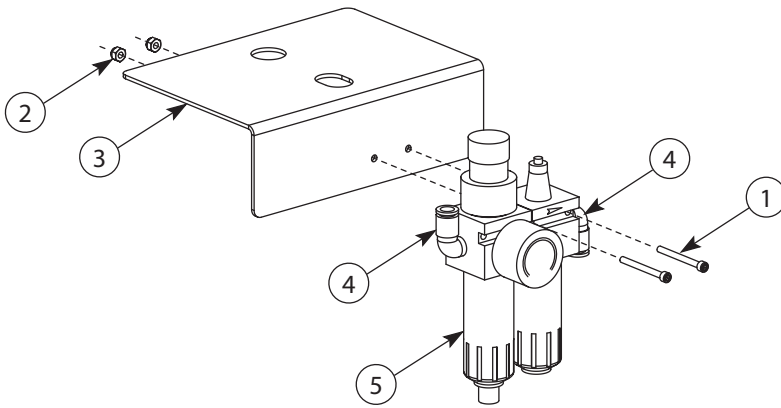
Illustration is view of underside of Left Hand Runway.



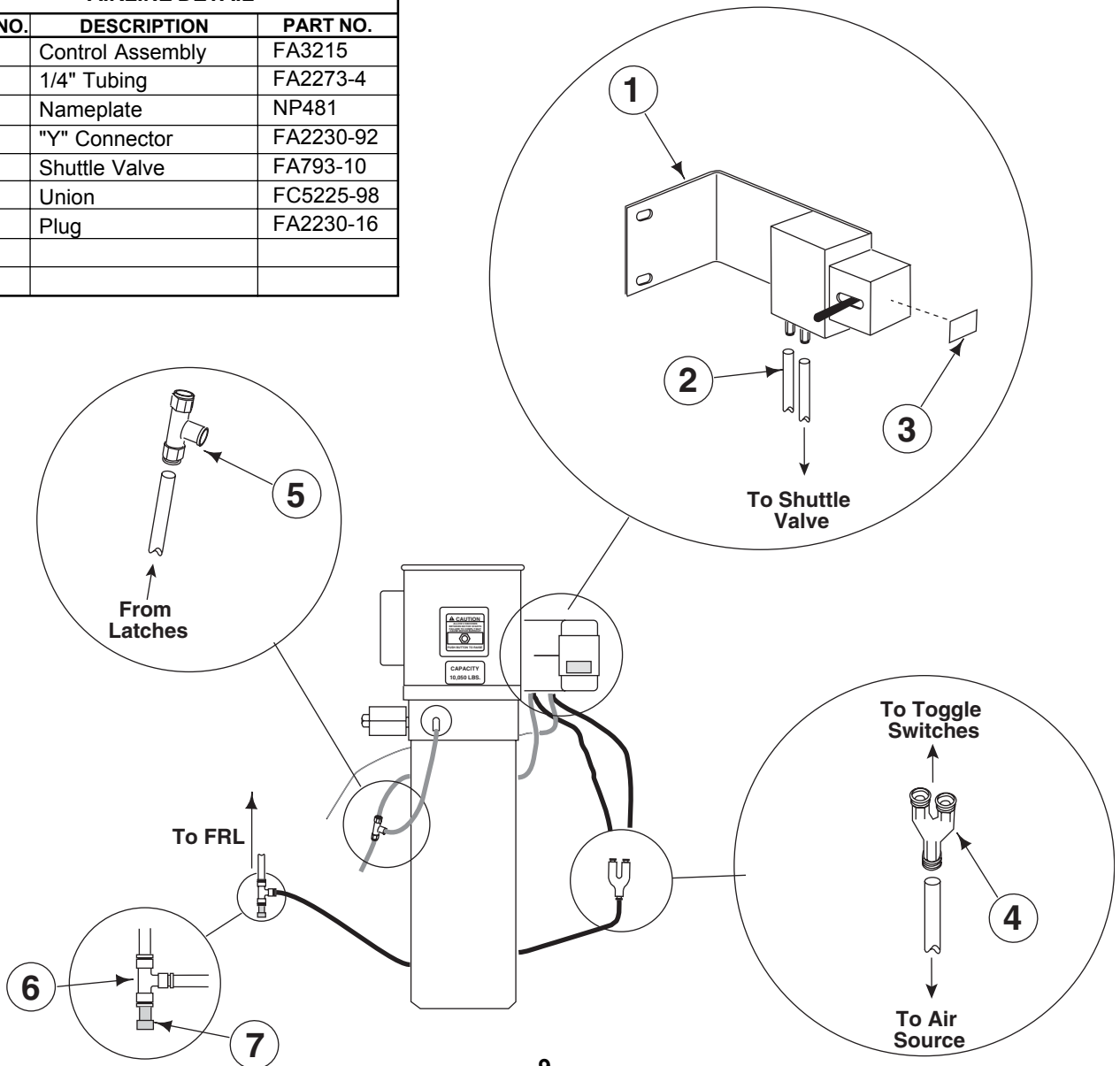
YOKE END DETAIL

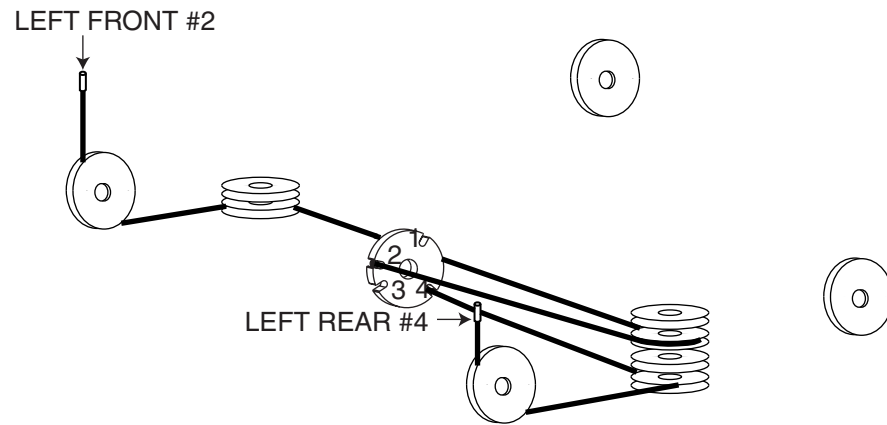
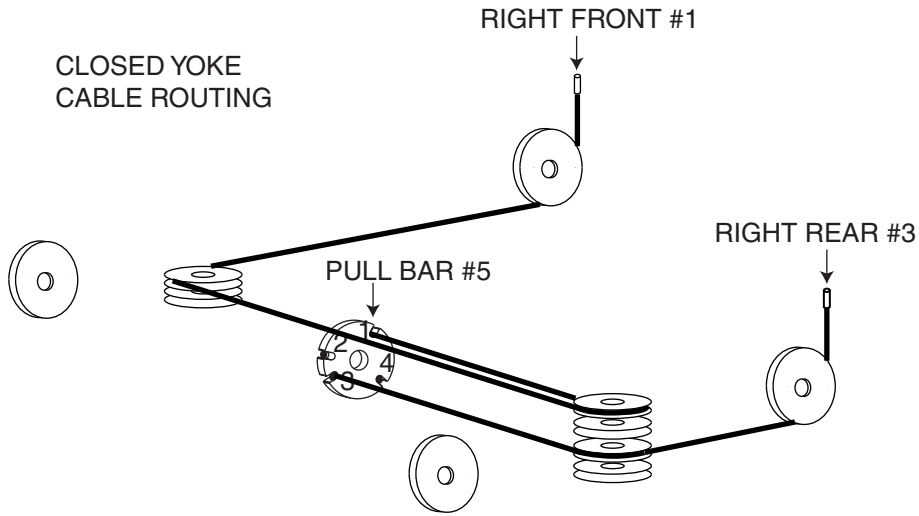
ITEM	DESCRIPTION	PART NO.	ITEM	DESCRIPTION	PART NO.
1	5/16"-18NC x 3/4" Lg. Hex Head Cap Screw	40252	14	Latch	FC5706-10
2	Sheave Pin	standard	15	Spacer	FC5706-09
		chrome plated	FC5728-7	16	3/8" Snap Ring TRUARC #5304-37
3	Sheave	FC5804-2	17	Slack Cable Roller	FC553-21
4	Yoke Sheave Spacer	FC5927-10	18	Kicker	S120103
5	Slider	FC5706-16	19	Extension Spring	FC522-25
6	1/4" 20NC HHTS x 1/2" Lg.	40067	20	Clevis Pin	S130051
7	Guard	FC5802-18	21	Flat Washer	40782
8	1/4" Plain Washer	40780	22	Air Cylinder	2-Port \ S130017
9	Cotter Pin, 1/8" X 1 1/4"	41201	23	Elbow	FC5224-39
10	Latch Shaft	FC5901-7	24	Clevis	FC5706-7
11	Washer	FC5301-98	25	1/4" -28NF Hex Nut	40622
12	1/4" Hairpin Cotter Pin (.05" dia. wire)	41901	26	Guard	S120152
13	Clevis Pin	FA2230-12			

FRL DETAIL		
ITEM NO.	DESCRIPTION	PART NO.
1	#8-32 x 1-3/4" Hex SHCS	40432
2	#8-32 Nylon Lock Nut	40649
3	Adapter Bracket	S120569
4	Elbow	FC147-7
5	Filter/Regulator/Lubricator	S130065



AIRLINE DETAIL		
ITEM NO.	DESCRIPTION	PART NO.
1	Control Assembly	FA3215
2	1/4" Tubing	FA2273-4
3	Nameplate	NP481
4	"Y" Connector	FA2230-92
5	Shuttle Valve	FA793-10
6	Union	FC5225-98
7	Plug	FA2230-16

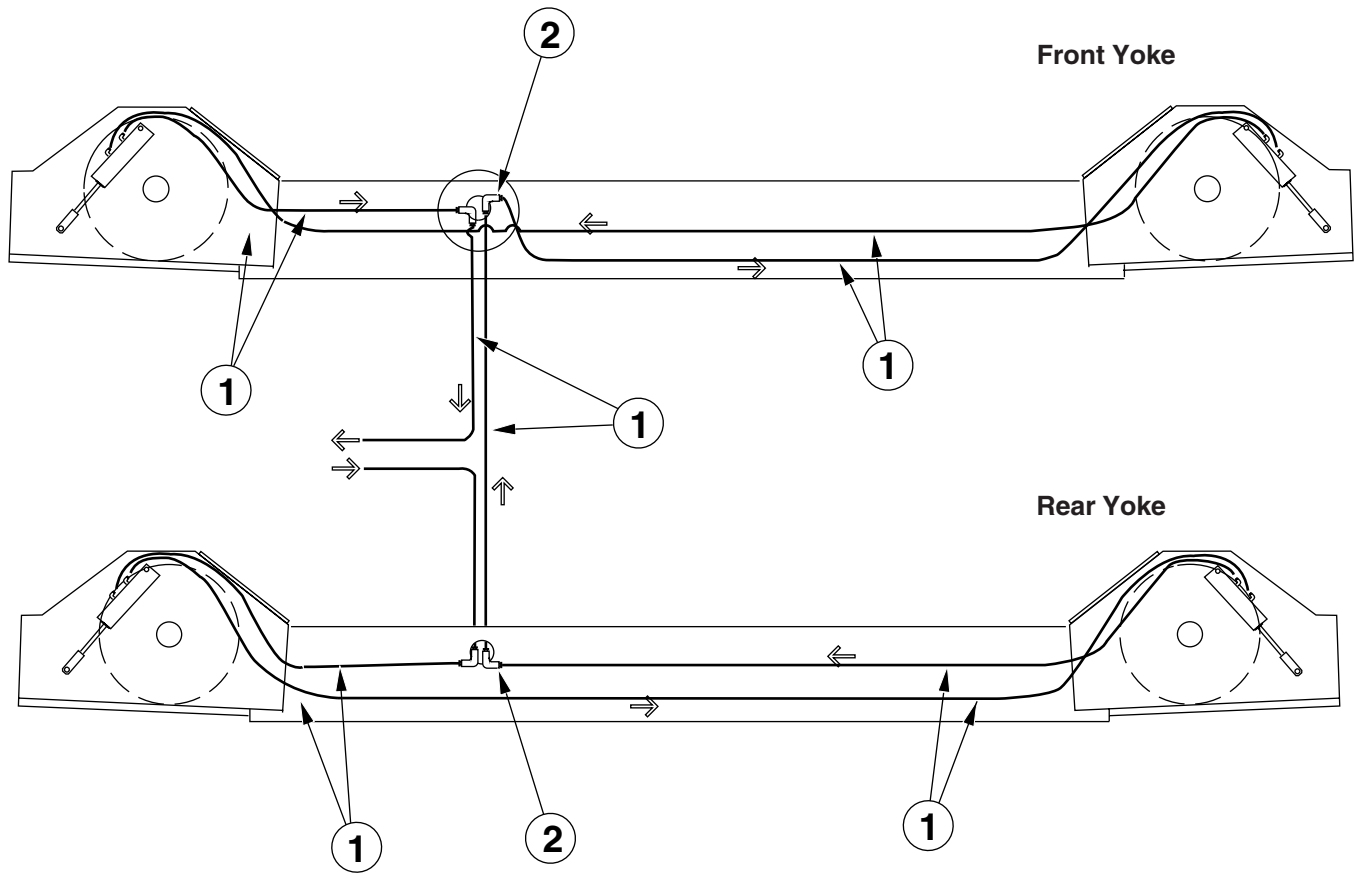




ITEM NO.	DESCRIPTION	CABLES		PART NO.	
		QL4P / QLHV			
		182 1/2"	206 1/2"		
1	Right Front Cable	S130025	S130021		
2	Left Front Cable	S130024	S130020		
3	Right Rear Cable	S130019			
4	Left Rear Cable	S130018			
5	Pull Bar	S120075	S120075		

* CABLE RETAINER NOT SHOWN TO CLARIFY ILLUSTRATION OF CABLE ROUTING

LIFTS EQUIPPED WITH VENIX AIR CYLINDERS



AIRLINE DETAIL		
ITEM	DESCRIPTION	PART NO.
1	Airline Tubing (Cut To Fit)	FA2230-2
2	Elbow	P527-22

Rotary World Headquarters

2700 Lanier Drive
Madison, IN 47250, USA
www.rotarylif.com

North America Contact Information

Tech. Support: p 800.445.5438
f 800.578.5438
e userlink@rotarylif.com
Sales: p 800.640.5438
f 800.578.5438
e userlink@rotarylif.com

World Wide Contact Information

World Headquarters/USA: 1.812.273.1622
Canada: 1.905.812.9920
European Headquarters/Germany: +49.771.9233.0
United Kingdom: +44.178.747.7711
Australasia: +60.3.7660.0285
Latin America / Caribbean: +54.3488.431.608
Middle East / Africa: 1.812.273.1622



A **DOVER** COMPANY

