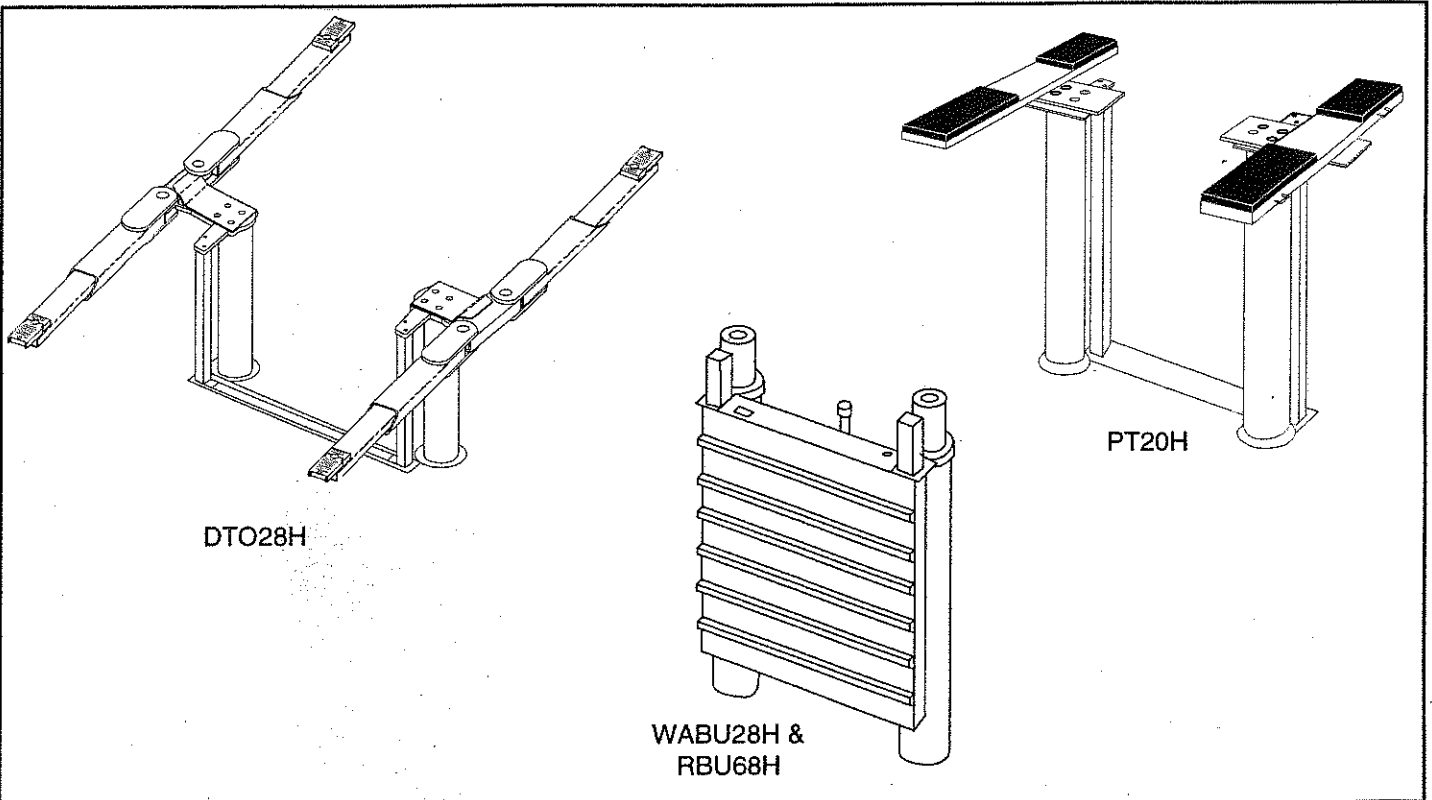




World Leader in Lift Systems

2-Post Inground Parts Breakdown Models

- DTO28H-27 & 28** Two-Plunger Frame Engaging Lift with Flip-up Adapters
- PT20H-11** Two-Plunger Frame Engaging Lift with Adjustable Rubber Pads
- RBU68H-2** Two-Plunger Replacement Base Unit Lift
- WABU28H-12** Two-Plunger Wheel Alignment Base Unit Lift



IMPORTANT: When ordering parts or requesting service, always give exact model and jack serial number. Model number is located on nameplate as shown above. Jack serial number is located on side of plunger at point of attachment to superstructure.

NOTES:

- 1)
- 2)
- 3)

OWNERS RECORD

Complete information at right and keep in a safe place.

Date Installed _____ / _____ / _____

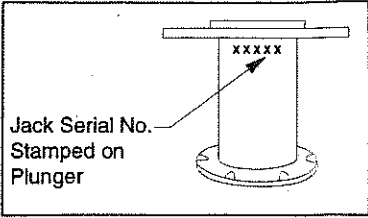
Installed In Bay # _____

Serial # _____ JG199-JG189

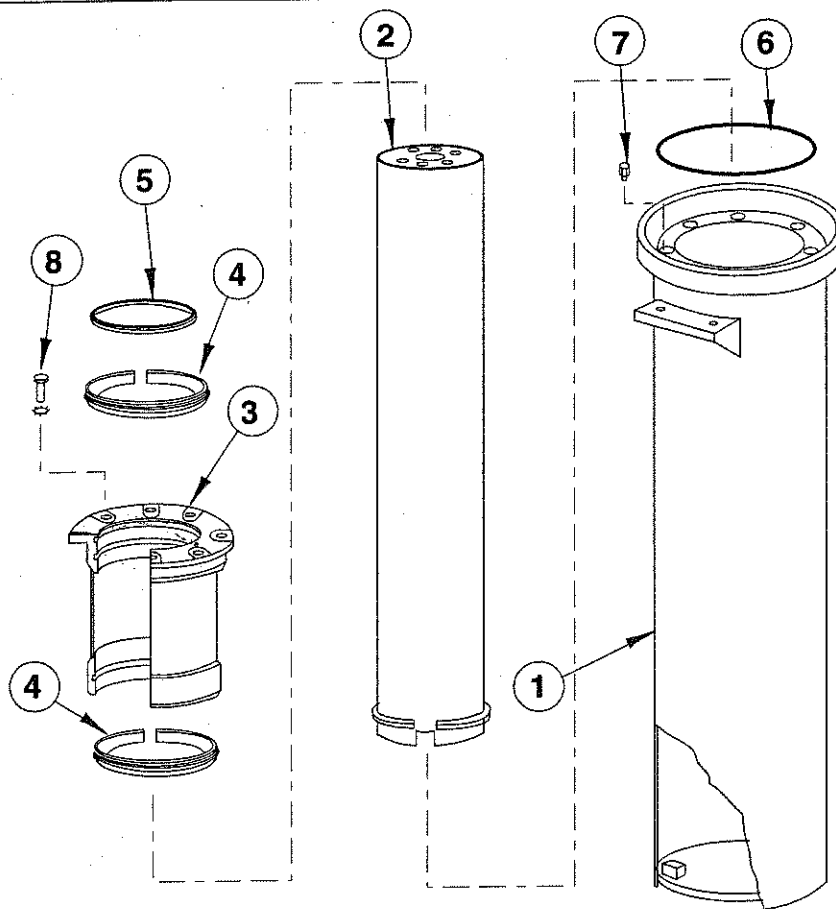
_____ JG199-JG189

Factory Order # _____

Model No# _____

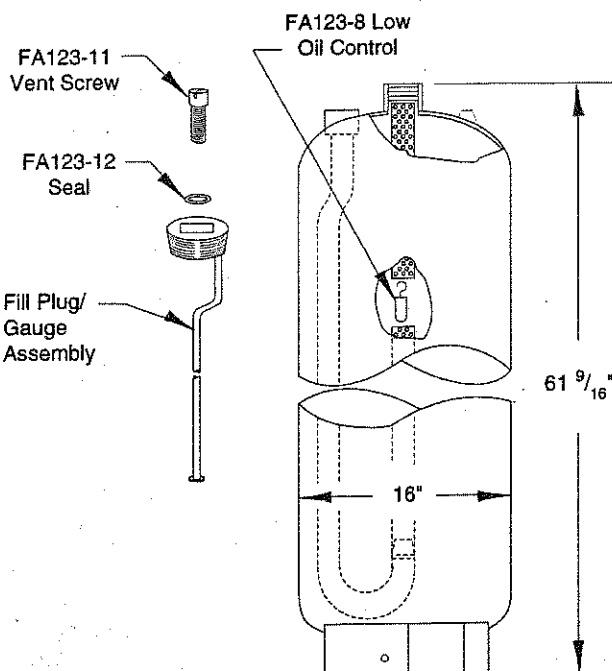


NOTE: For Replacement Parts - See Your Nearest Rotary Parts Distributor

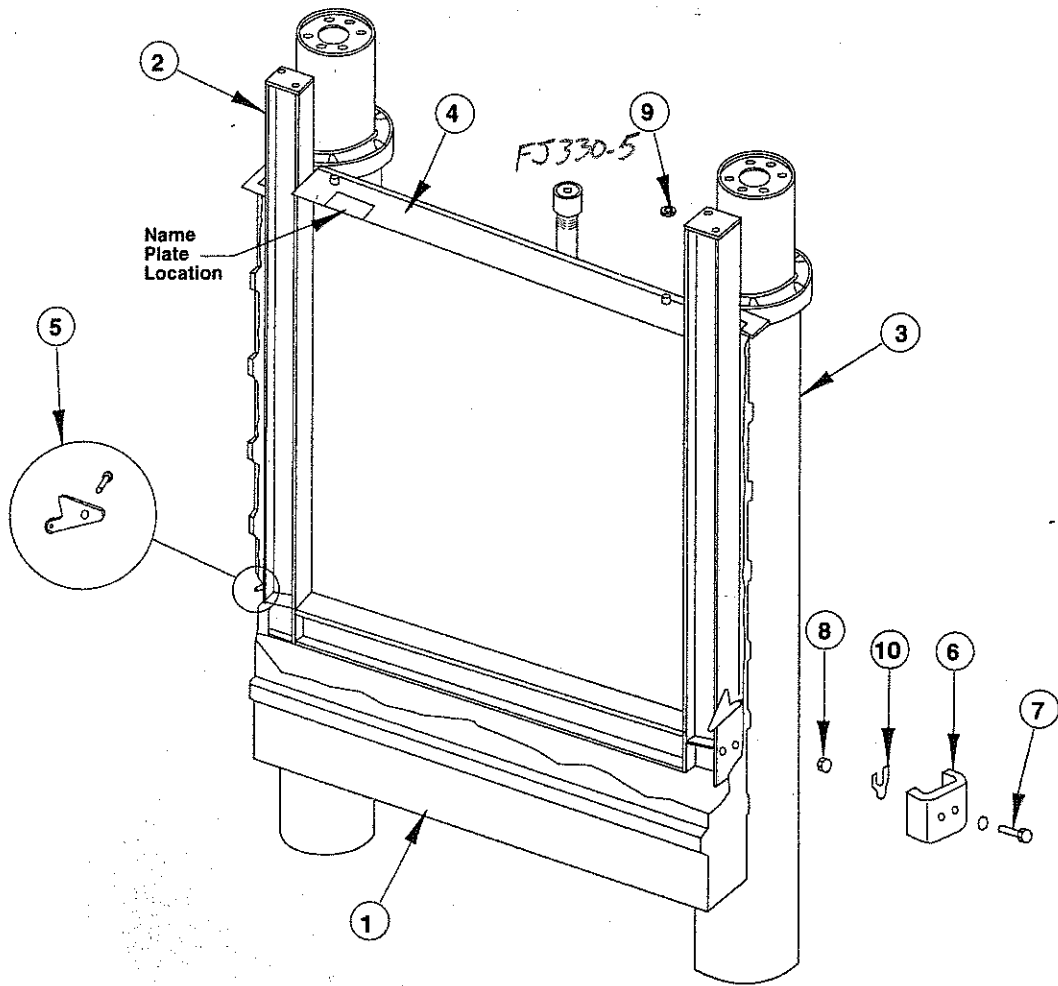


Item No.	Description	Part No.	
		DTO-PT-RBU	WABU
	Jack Assembly	JG199	JG189
1	Casing Assembly	JG766	JG767
2	Plunger Assembly (6 Hole)	JG446	JG446
3	Guide Assembly	JG512	JG513
4	Jack Bearing	JG766-6	JG766-6
5	Seal	JG227	JG227
6	"O" Ring	JG37	JG37
7	Bleeder Screw	JX207	JX207
8	1/2"-13NC HHCS GD 8 x 1 1/4" Lg. (8 Req'd)	40281	40281
	1/2"Ext Tooth Lock Washer (8 Req'd)	40880	40880

FA123-18



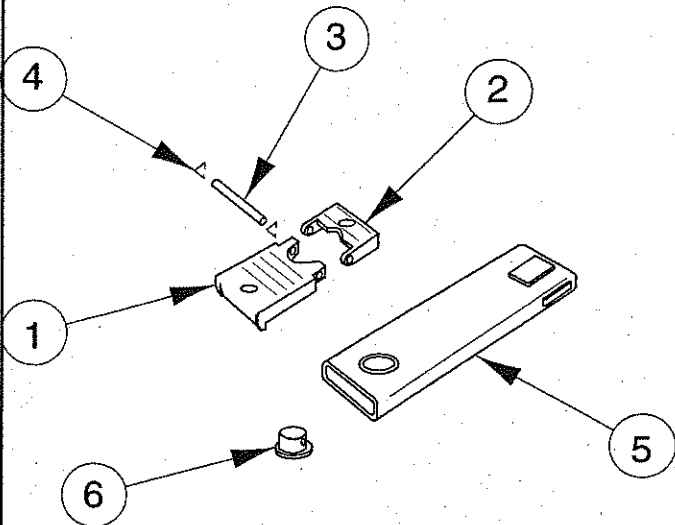
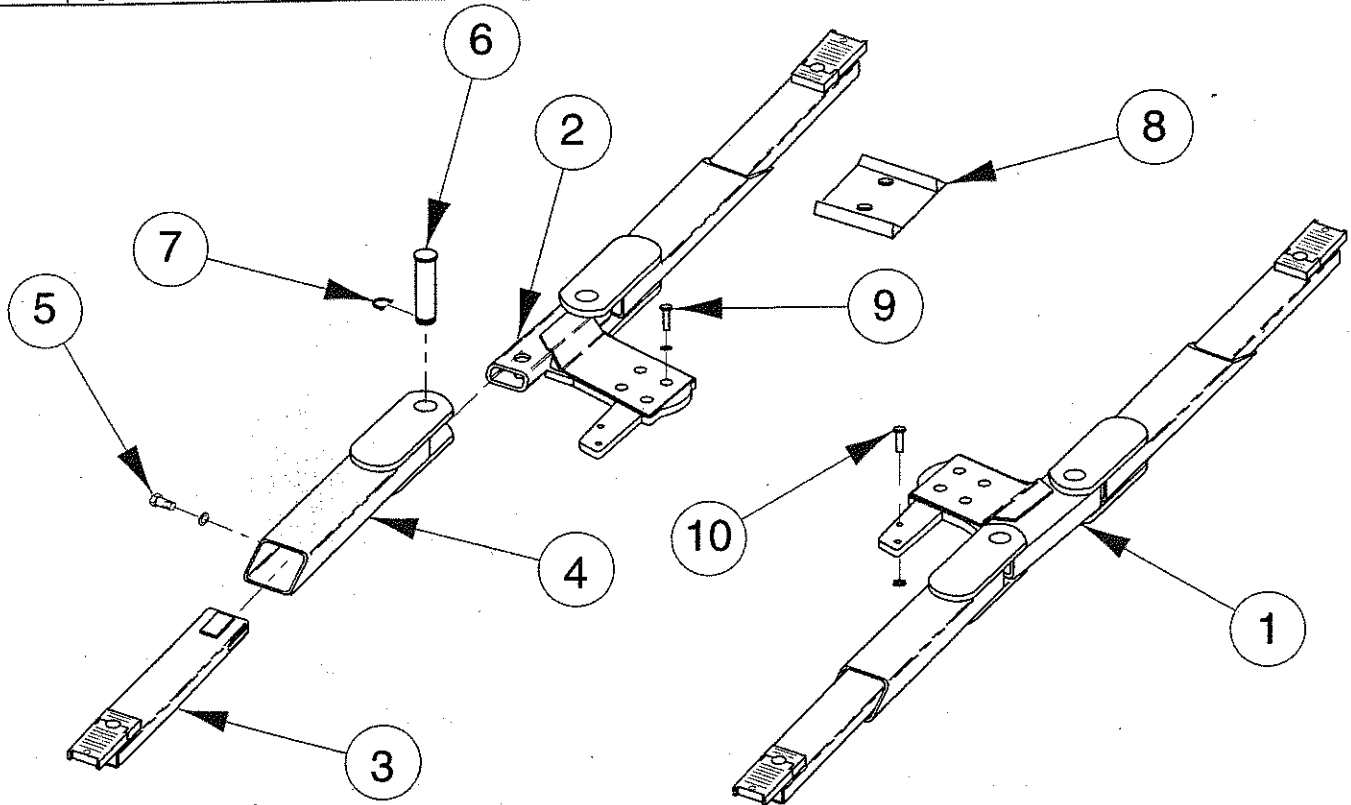
FA144 Tank



Item No.	Description	Part No.	
		DTO-PT-RBU	WABU
1	Equalizer Housing	FJ38	FJ38
2	Equalizer Frame	FJ37	FJ314
3	Jack Assembly	JG199	JG189
4	Center Cover	FJ38-11	FJ38-11
5	Replacement Latch Kit (Includes 2 latches)	FA279	FA279
6	Slider Block	FJ321-5	FJ321-5
7	$\frac{5}{16}$ " -18NC HHCS x 1" Lg. (4 Req'd)	40233	40233
	$\frac{5}{16}$ " Lock Washer (4 Req'd)	40217	40217
8	$\frac{5}{16}$ " Hex Nut (4 Req'd)	40670	40670
9	$\frac{1}{4}$ " Hex Nut (2 Req'd)	40625	40625
10	Shim	-----	-----

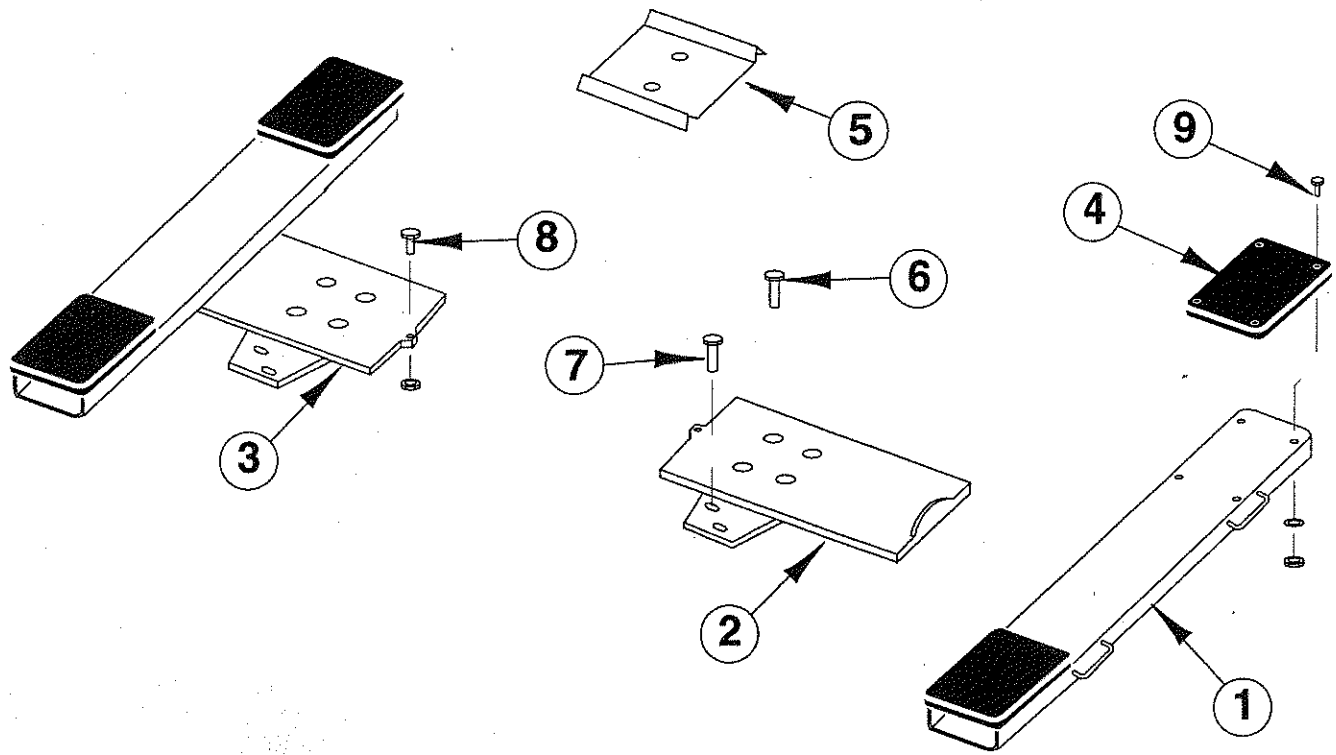
DTO28H Swing Arm Superstructure Parts List

Item No.	Description	Parts
1	Yoke (Right Hand)	FJ2367
2	Yoke (Left Hand)	FJ2368
3	Inner Tube with Flip-Up Adapter	FJ7150-2
4	Outer Tube	T120068
5	$\frac{3}{8}$ "-16NC x $\frac{5}{8}$ " HHCS Gd. 8 Pit. (4 Req'd)	40155
	$\frac{3}{8}$ " Internal Tooth Lock Washer (4 Req'd)	40843
6	Arm Pin	T130066
7	Truarc #5100-187	41404
8	Wheel Spotting Dish	FF729
9	$\frac{7}{8}$ "-9NC x 3" HHCS Gr. 5 (8 Req'd)	40497
	$\frac{7}{8}$ " Ext. Tooth Lock Washer (8 Req'd)	41070
10	$\frac{1}{2}$ "-13NC x 2 $\frac{1}{2}$ " HHCS (4 Req'd)	40330
	$\frac{1}{2}$ "-13NC Lock Nut (4 Req'd)	40706



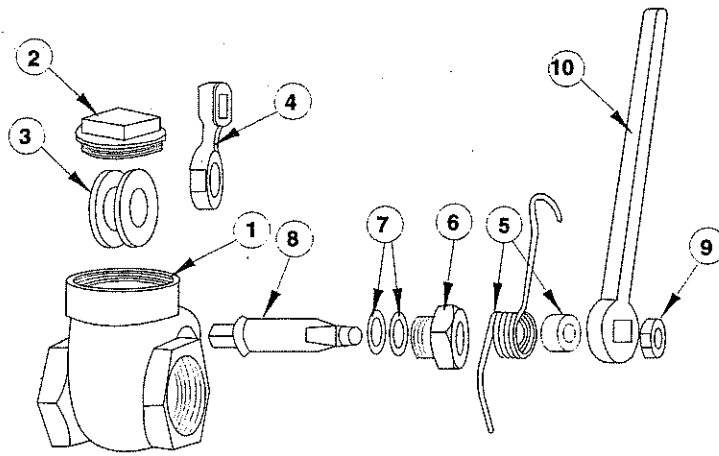
DTO28H Flip-up Adapter Parts List (FJ7150-2)

ITEM NO.	DESCRIPTION	PARTS
1	Adapter High Step	FJ671-1
2	Adapter Low Step	FJ671-2
3	Adapter Pin	FJ671-3
4	Hog Ring Clips	FJ671-6
5	Inner Arm Tube	T120025
6	Adapter Swivel Pin	FJ79-6



PT20H Adjustable Pad SuperStructure Parts List

ITEM NO.	DESCRIPTION	PARTS
1	Pad and Support Assembly	FJ2193
2	Yoke (Right Yoke)	FJ2183
3	Yoke (Left Yoke)	FJ2182
4	Rubber Pad	FJ2177-2
5	Wheel Spotting Dish	FF729
6	$\frac{7}{8}$ "-9NC x $2\frac{1}{2}$ " HHCS Gd. 5 (8 Req'd)	40489
	$\frac{7}{8}$ " Ext. Tooth Lock Washer (8 Req'd)	41070
7	$\frac{1}{2}$ "-13NC x $1\frac{1}{2}$ " HHCS (4 Req'd)	40300
	$\frac{1}{2}$ "-13NC Lock Nut (4 Req'd)	40706
8	$\frac{3}{8}$ "-16NC x $\frac{5}{8}$ " HHCS Gd. 8 PIt. (2 Req'd)	40155
	$\frac{3}{8}$ "-16NC Hex Nut (2 Req'd)	40660
9	$\frac{1}{4}$ "-20NC x $3\frac{1}{2}$ " Lg. Carriage Head Bolt (4 Req'd each pad)	---
	$\frac{1}{4}$ "-20NC Hex Nut (4 Req'd each pad)	40625
	$\frac{1}{4}$ "-20NC Lock washer (4 Req'd each pad)	40775

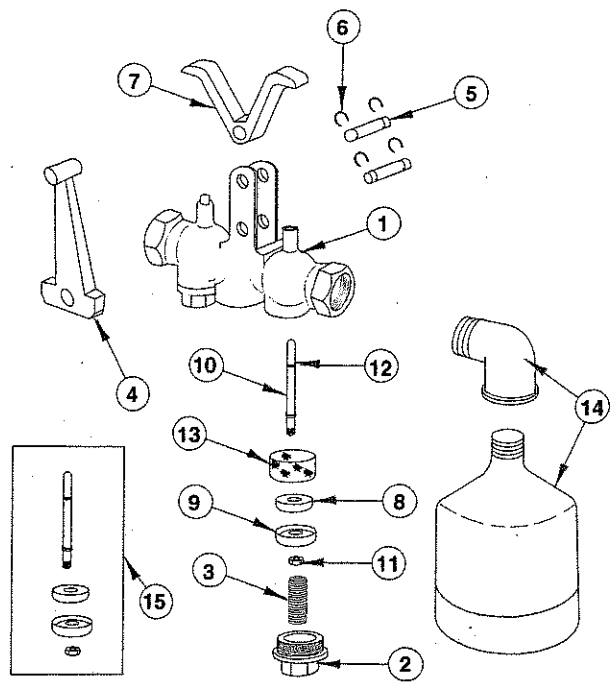


FA369 Hand Operated Oil Valve Parts		
Item No.	Description	Part No.**
1	Body*	N/A
2	Cap	FA369-2
3	Disc	FA369-3
4	Lever	FA369-4
5	Spring & Bushing Ass'y	FA369-5
6	"O" Ring Retainer	FA369-6
7	"O" Ring	FA369-7
8	Stem	FA369-8
9	Handle Nut	FA369-9
10	Lever Handle	FA369-10

* Valve body not available as a replacement part. If valve body needs replacing, order a new FA369 valve.

** Always give valve manufacturer when ordering parts. Valve manufacturer located on valve body or on lever. If valve is a MacDonald, order parts with the suffix of AY. (Example: FA369-5AY, FA369-10AY, FA369-2AY, Etc.)

FA377 Locking Air Valve		
Item No.	Description	Part No.
1	Body@	N/A
2	Cap	FA376-2
3	Spring	FA376-3
4	Locking Lever	FA377-1
5	Pin	FA376-5
6	Snap Ring	FA376-6
7	Rocker Arm	FA376-7
8	Disc	FA376-8
9	Disc Cage	FA376-9
10	Stem	FA376-10
11	Stem Nut	FA376-11
12	"O" Ring	FA376-12
13	Screen	FA376-13
14	Muffler (Includes 1/2" Street Elbow)	FA515
15	Stem Assy. Pc's 8, 9, 10, 11 & 12	FA376-15



@ Valve Body Not Available As A Replacement Part. If Body Needs Replacing, Order A New FA377 Valve.