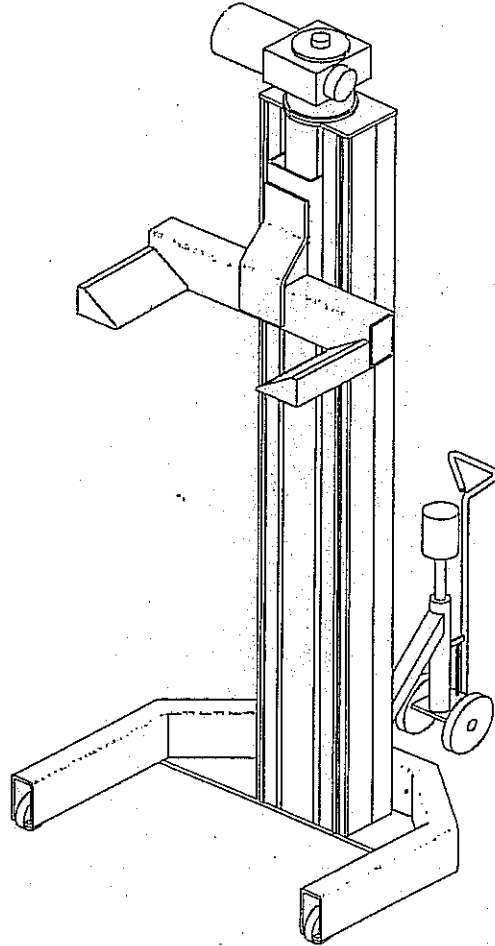


Model Transpo II

Parts Breakdown

Models: ML416-4, -5, -6, -7, -8 & -9

ML616-4, -5, -6, -7, -8 & -9



IMPORTANT: When ordering parts or requesting service always give exact model number. Model number is shown on nameplate attached to side of column.

NOTES:

OWNERS RECORD

Complete information at right and keep in a safe place.

Date In Service / /

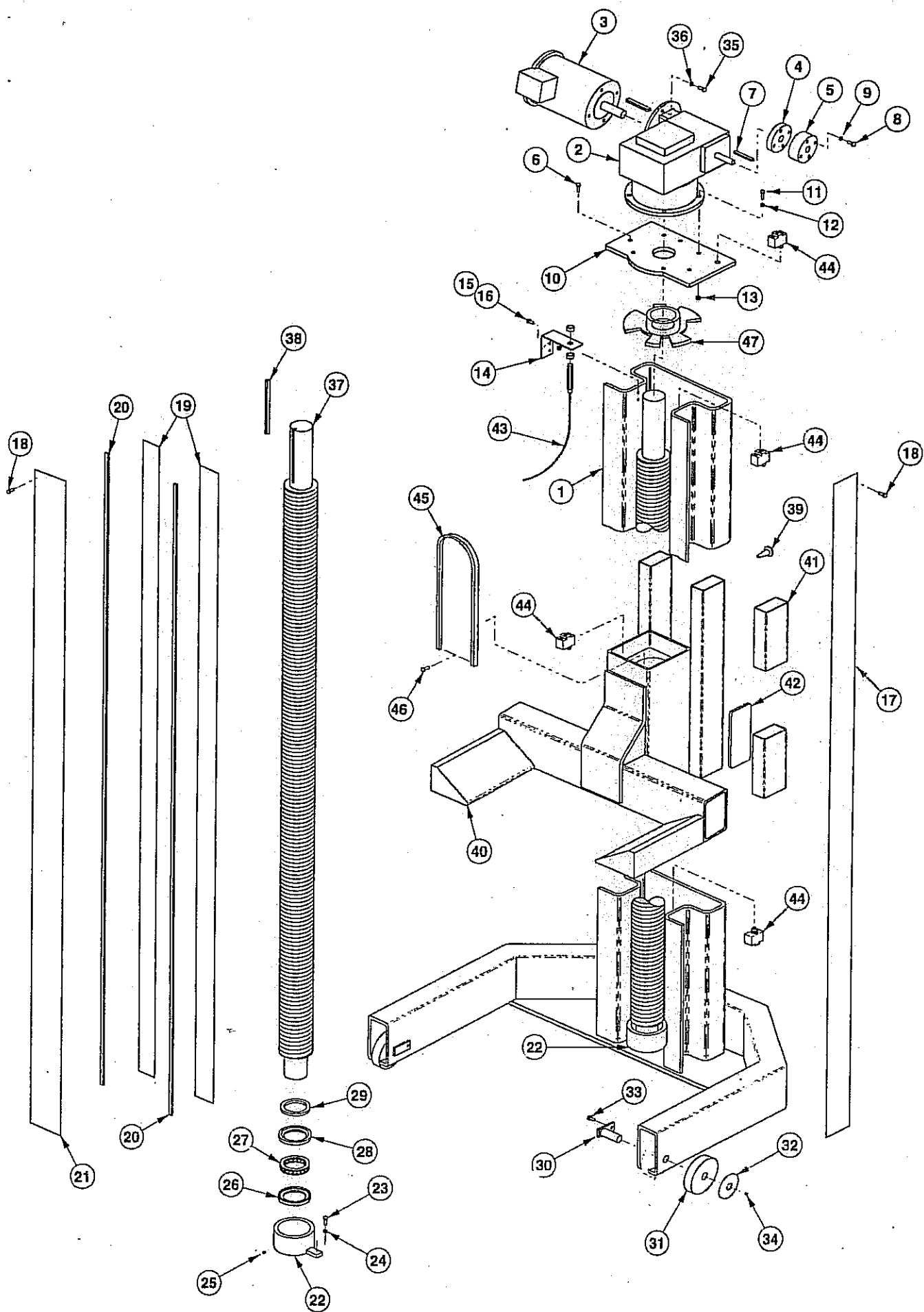
Service In Bay #

Serial #

Factory Order #

Model No#

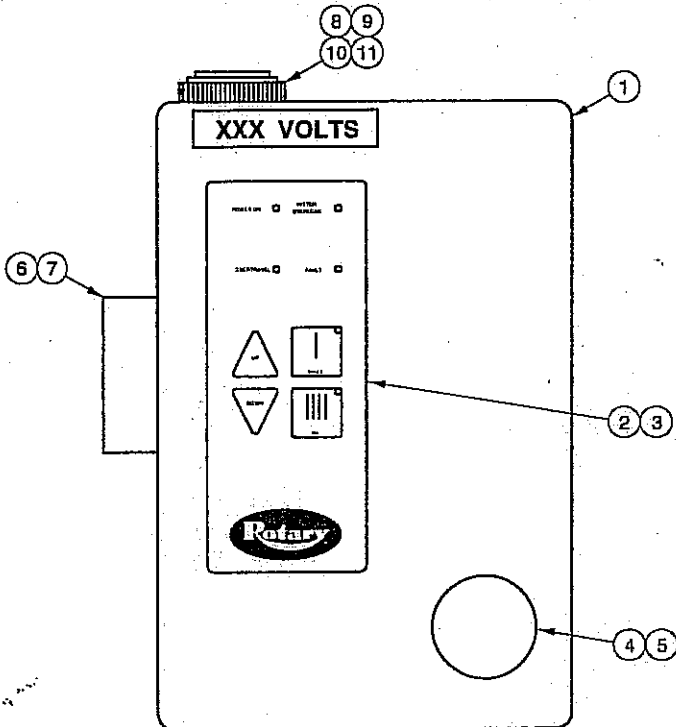
NOTE: For Replacement Parts - See Your Nearest Rotary Parts Distributor.



Transpo Parts List

Item	Description	Part No.
1	Column Assembly	ML11-5
2	Gear Reducer	ML10-3
3	Motor w/Key	ML10-1 (3 Hp.)
4	Brake Adapter	ML10-65
5	Brake	ML10-40
6	1/2-13NC Soc. Hd. Flat CS x 2" Lg.	40336
7	Brake Key	ML10-78
8	#10-32NF Rd Hd MS x 2" Lg. (4 req'd)	40059
9	#10 Ext. Lock Washer CadPL (4 req'd)	40045
10	Top Plate	ML10-106
11	1/2-13NC HHCS x 1 1/2" Lg. CadPL Gd. 5 (4 req'd)	40302
12	1/2" Lock Washer CadPL (4 req'd)	40915
13	1/2"-13NC Nylon Insert Nut (4 req'd)	40708
14	Bracket Assembly	ML10-155
15	5/16-18NC x 1" Lg. HHCS (2 req'd)	40233
16	5/16-18NC Hex Nut (2 req'd)	40670
17	Wire Cover	ML10-39
18	1/4"-20NC HHCS X 3/4" Lg. (10 req'd)	40104
	Master Control Panel(not shown)	ML35-1
	Slave Control Panel(not shown)	ML35-3
19	Side Cover	ML10-50
20	Side Cover Support	ML10-58
21	Center Cover	ML10-37
22	Bearing Housing Assembly	ML10-59
23	5/16" SHCS x 1/2" Lg. (2 req'd)	40229
24	5/16" Flat Washer (2 req'd)	40217
25	Alemite #1633 Grease Fitting (1 req'd)	15072
26	Lower Bearing Seat	ML10-41
27	Lower Bearing	ML10-42
28	Ball Screw Collar	ML10-24
29	Lower Bearing Grease Seal	ML10-53
30	Axle Assembly	ML10-62
Kit	Lower Bearing Kit (consists of 23, 24, 25, 26, 27, 28, 29 & 30)	ML34-3
31	Wheel/Bearing Assembly	ML10-43
32	Spacer	ML10-100
33	5/16"-18NCHHCSx3/4"Lg.(2req'd)	40224
34	Alemite #1633 Grease Fitting (2 req'd)	15072
35	3/8"-16NCHHCSx3/4"Lg.CadPLGd.5(4req'd)	40134
Kit	Front Wheel Kit (consists of 31, 32, 33, 34 & 35)	ML34-2
36	3/8" Lock Washer (4 req'd)	40815
37	Ball Screw	ML10-149
38	Ball Screw Key	ML10-77
39	Retainer (Slave Column only)	ML10-118
40	Carriage Weldment	ML11-2
41	Slider Block	ML10-142
42	Slider Shims (thick)	ML10-134
	Slider Shims (thin)	ML10-133
43	Speed Sensor	ML30-54
44	Limit Switch	ML30-13
45	Cable Carrier	ML10-126
46	#6-32NC PHMS x 1/2" Lg.	41430
47	Speed Sensor Target	ML10-152
	Slider Block Grease (not shown)	ML34-6

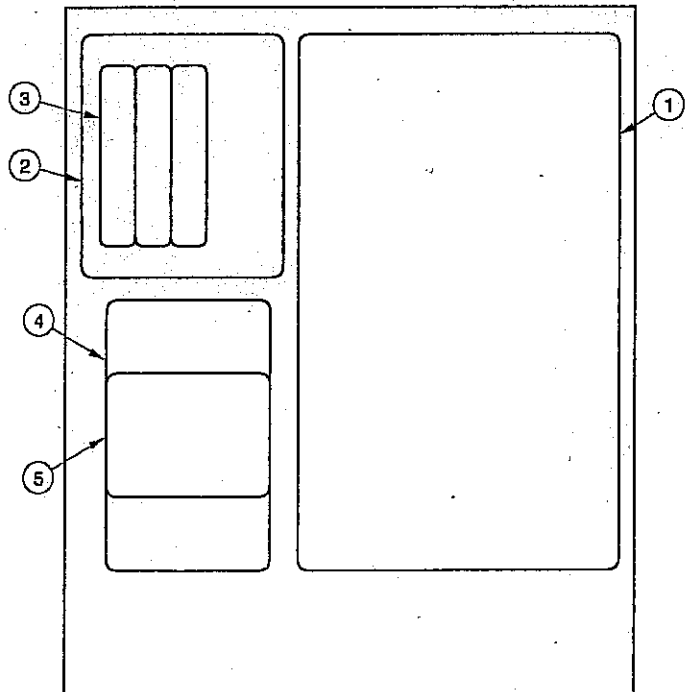
Electrical Panel Parts Chart					
Voltage	Breaker	Phase Relay	Heater Packs	Contactor	Power Converter
460V	ML36-5	ML32-37	ML36-14	ML36-10	ML36-33
208V	ML36-7	ML32-25	ML36-15	ML36-12	ML36-2
230V	ML36-7	ML32-25	ML36-15	ML36-12	ML36-2

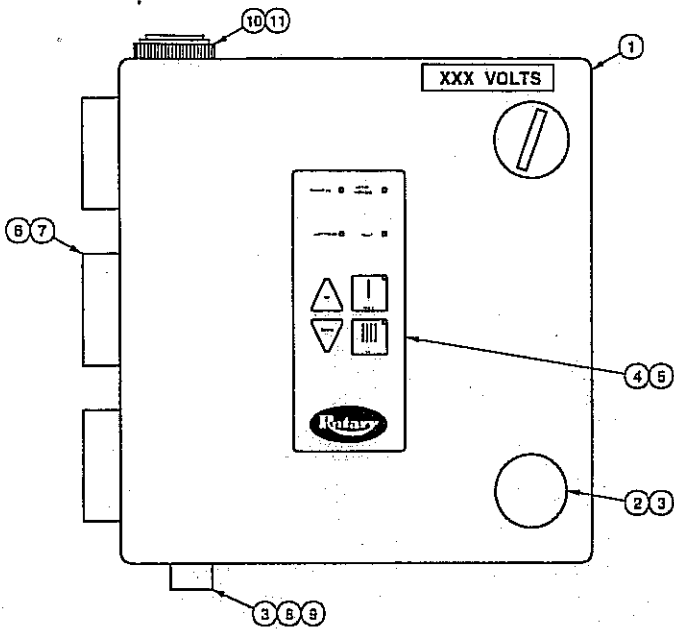


Slave Column Control Panel (ML35-3) Parts List

Item No.	Description	Vendor	Number	Part No.
1	Enclosure	Robroy	J1008 HPL	ML36-25
2	Touch pad			PR921032
3	Bezel	MCS	CB2705N	ML36-17
4	E-Stop	CutlerHammer	E22JPLS	ML36-18
5	NC Contact Block	CutlerHammer	E22B1	ML36-19
6	Housing	Wieland	70.325.2428	ML36-20
7	Insert	Wieland	70.310.2440	ML36-21
8	Plug	Amp	207485-1	ML32-4
9	Flange	Amp	207299-4	ML32-59
10	Power Socket	Amp	66741-2	ML32-60
11	Signal Socket	Amp	66601-1	ML32-61

Slave Column Electrical Panel Parts List				
Item No.	Description	Vendor	Number	Part No.
1	Printed Circuit Board			ML36-32
2	Overload Relay	CutlerHammer	C306DN3B	ML36-30
3	Heater Pack			See Chart
4	Relay Socket	CutlerHammer	D5PA1	ML36-22
5	Relay	CutlerHammer	D5PR3R1	ML36-23
Not Shown	Ribbon Cable			ML36-24

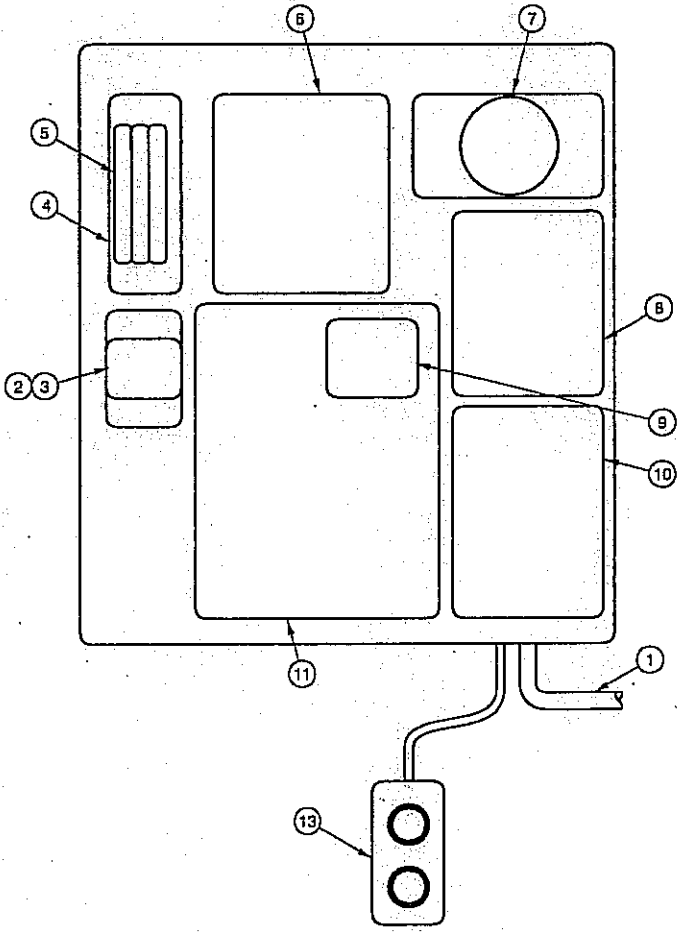


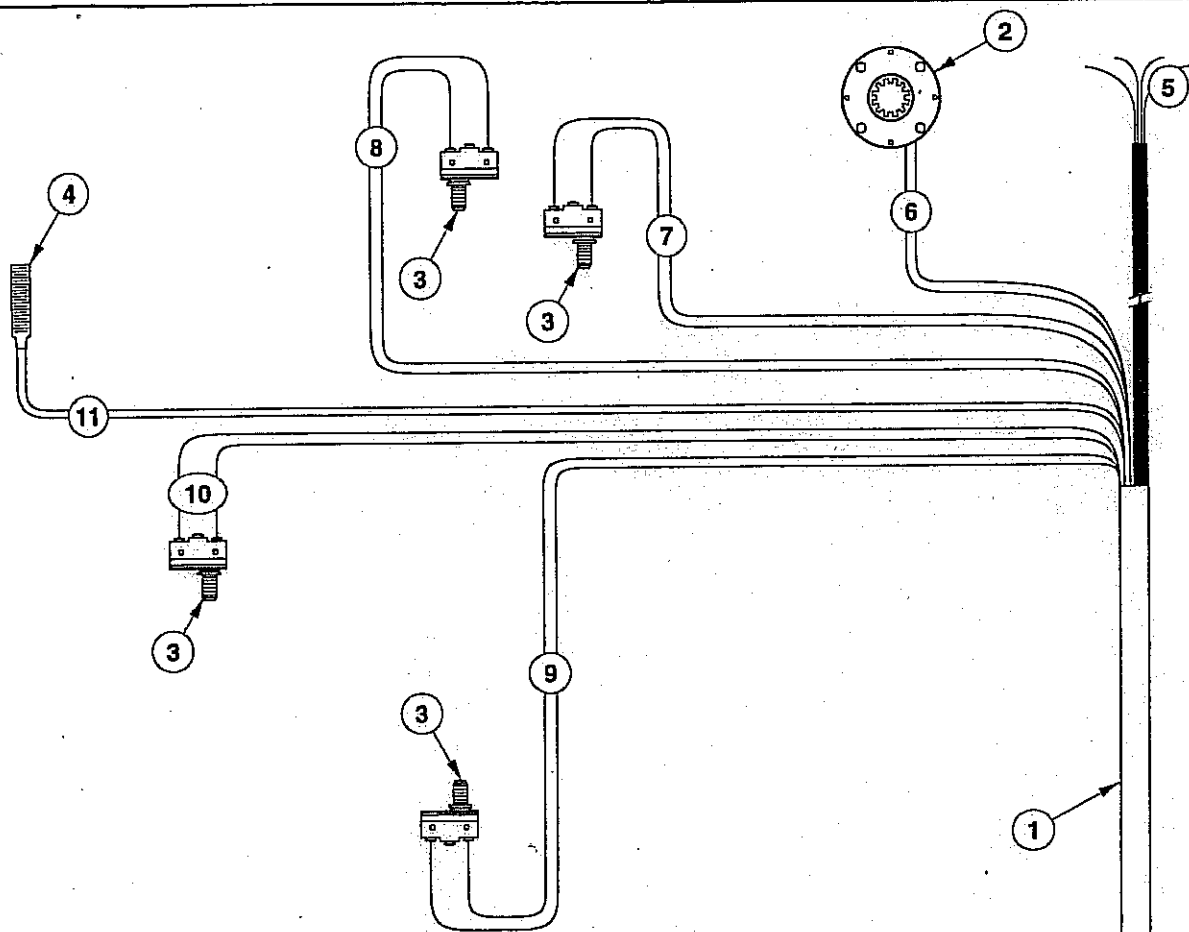


Master Column Electrical Panel Parts List				
Item No.	Description	Vendor	Number	Part No.
1	Power Cord <i>SD</i>			ML36-16
2	Relay Socket	CutlerHammer	D5PA1	ML36-22
3	Relay	CutlerHammer	D5PR3R1	ML36-23
4	Overload Relay	CutlerHammer	C306DT3B	ML36-30
5	Heater Pack			See Chart
6	Printed Circuit Board Assembly			ML36-32
7	Breaker			See Chart
8	Contactor			See Chart
9	Phase Detect Relay			See Chart
10	Power Converter			See Chart
11	Printed Circuit Board			ML36-1
12	Ribbon Cable			ML36-31
13	Pendant (2-button) optional			ML34-27

Master Column Control Panel (ML35-1) Parts List

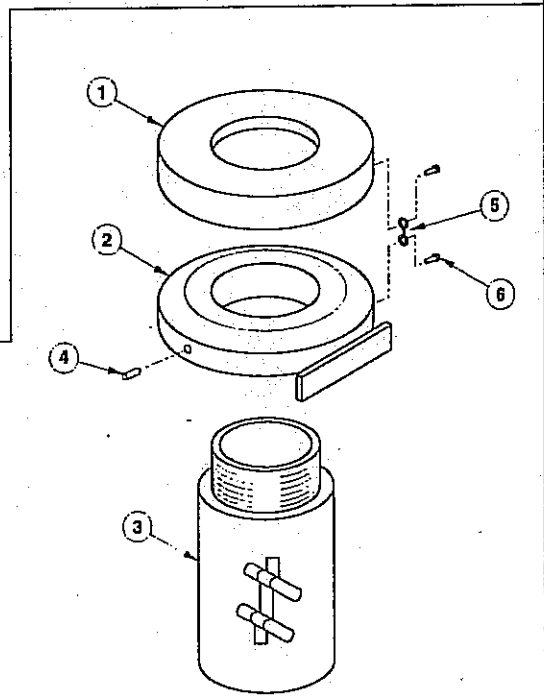
Item No.	Description	Vendor	Number	Part No.
1	Enclosure	Robroy	J1816HPL	ML36-26
2	E-Stop	CutlerHammer	E22JPLS	ML36-18
3	NC Contact Block	CutlerHammer	E22B1	ML36-19
4	Touch pad			PR921032
5	Bezel	MCS	CB2705N	ML36-17
6	Housing	Wieland	70.325.2428	ML36-20
7	Female Insert	Wieland	70.300.2440	ML36-27
8	PushButton	CutlerHammer	E22P4	ML36-28
9	NO Contact Block	CutlerHammer	E22B2	ML36-29
10	Plug	Amp	207485-1	ML32-4
11	Flange	Amp	207299-4	ML32-59
12	Power Socket	Amp	66741-2	ML32-60
13	Signal Socket	Amp	66601-1	ML32-61
Not Shown	Interconnect Cable			ML30-51
Not Shown	Cable Ext. 20'-0" Interconnect			ML30-61





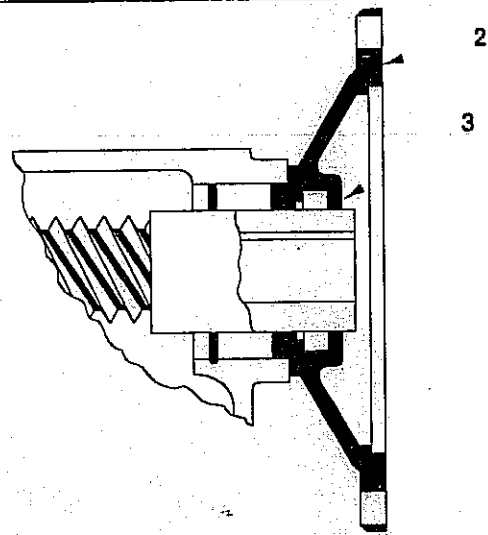
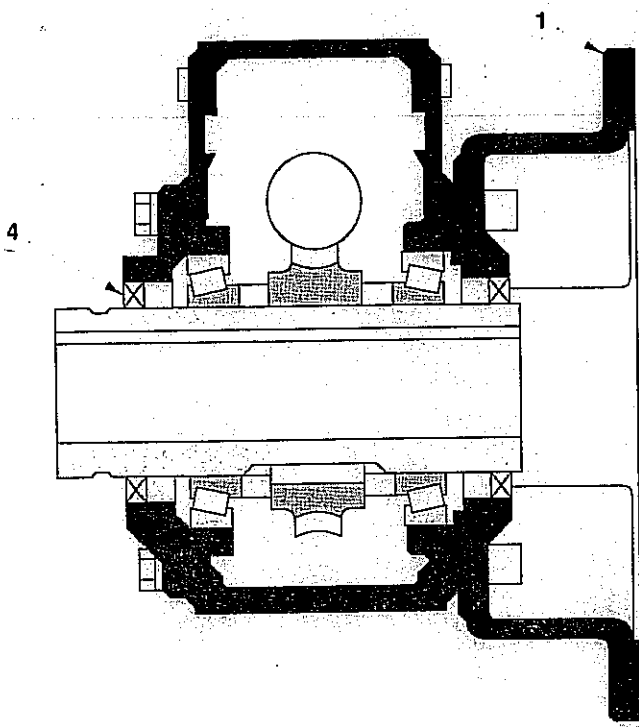
Wiring Harness

Item	Description	Part No.
1	Harness Assembly	ML30-50
2	Brake	ML10-40
3	Limit Switch	ML30-13
4	Speed Switch	ML30-54
5	Green wire to Ground	
6	Brown wire & Orange w/Black Tracer wire	
7	Brown w/ Black Tracer & Red	
8	Orange & Blue w/Black Tracer	
9	Black & Blue	
10	Blue w/Red Tracer & Black w/Red Tracer	
11	Yellow & Brown w/ Red Tracer	



Ball Nut/Bearing Assembly

Item	Description	Part No.
1	Female Bearing Half	ML10-44
2	Male Bearing Weldment	ML10-84
3	Ball Nut	ML10-91
4	3/8"-16NCCupPointSetScrewx1"Lg.(2req'd)	40141
5	Cable Assembly	ML10-79
6	1/4"-20NCFHMSCadPL1/2"Lg.(8req'd)	40069

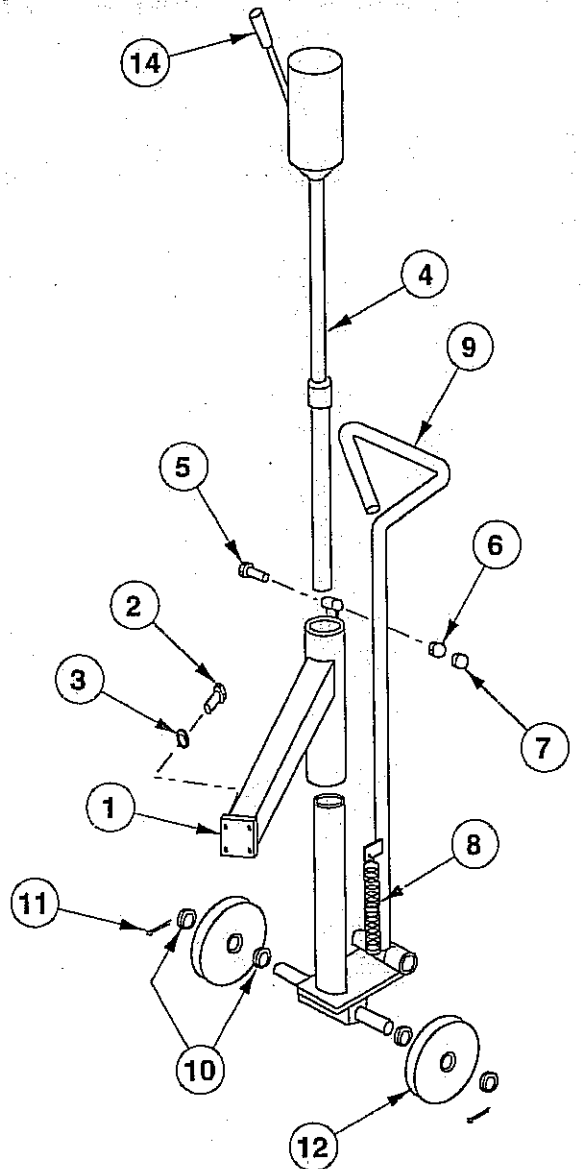


Speed Reducer Assembly

Item	Description	Part No.
1	Slow Speed Cover and Base 16,000 lbs.	ML33-2
2	Motor Adapter	ML33-5
3	High Speed Oil Seal	ML33-3
4	Slow Speed Oil Seal	ML33-4

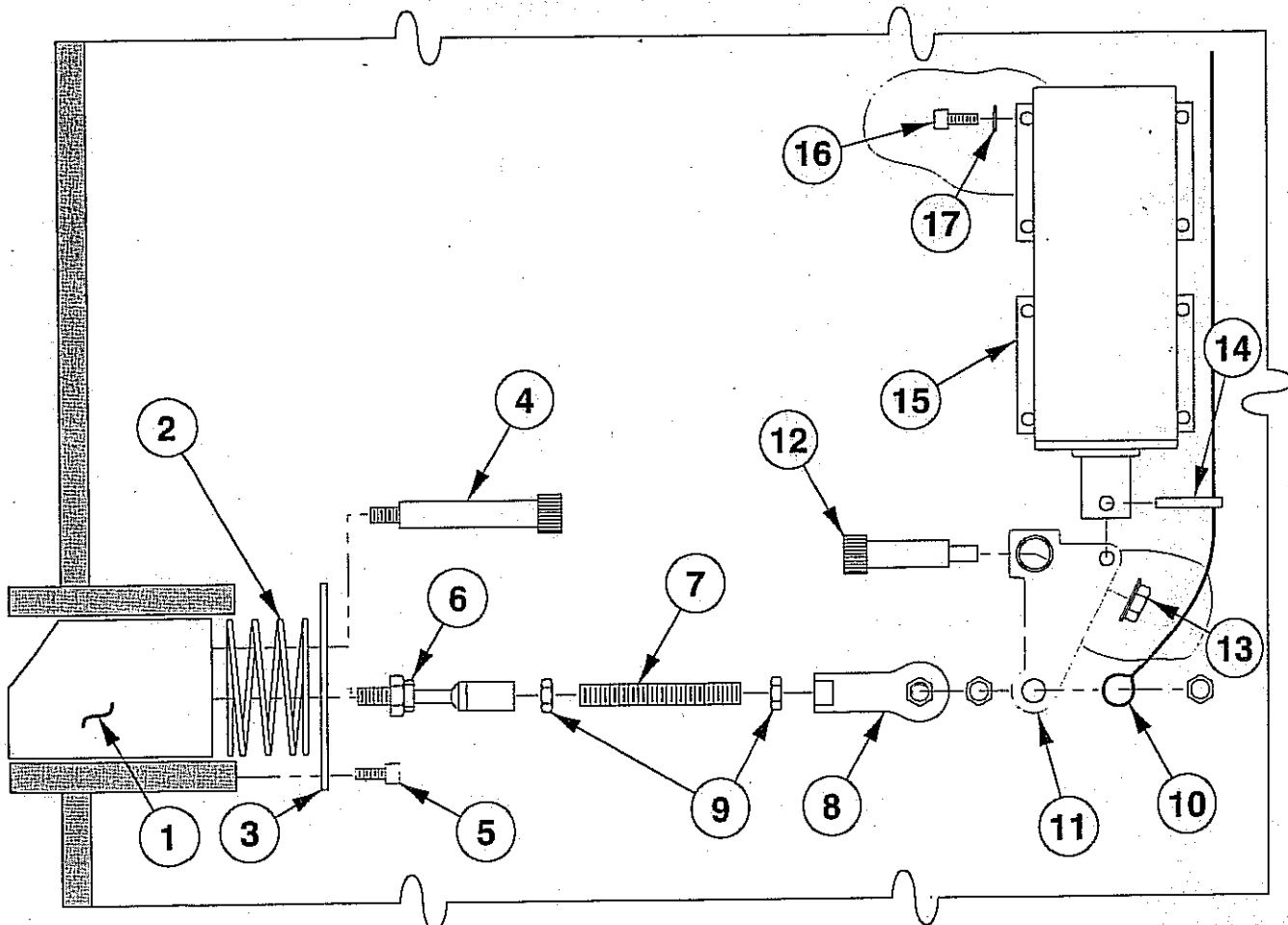
Hydraulic Jack Assembly

Item	Description	Part No.
1	Jack Yoke	ML10-52
2	3/8"-16NC HHCS x 3/4" Lg. CadPL Gd. 5 (4 req'd)	40130
3	3/8" Lock Washer (4 req'd)	40815
4	Hydraulic Jack	ML10-122
5	3/8"-16NC HHCS x 2" Lg. ZNPL (1 req'd)	40206
6	3/8"-16NC Hex Nut (1 req'd)	40659
7	3/8"-16NC Jam Nut (1 req'd)	40658
8	Extension Spring	ML10-85
9	Wheel Dolly w/Handle	ML10-101
10	Washer (Special) (2 req'd per wheel)	ML10-76
11	1/8" x 1" lg. Cotter Pin (1 req'd per wheel)	41200
12	Hydraulic Jack Wheel	ML10-135
Kit	Rear Wheel Kit (consists of 10,11 &12)	ML34-1
13	Jack Seal Kit (not shown)	ML34-7
14	Jack Handle	ML34-8



Locking Latch Detail

Item	Description	Part No.
1	Lock Pin	ML10-70
2	Return Spring	ML10-130
3	Cap	ML10-75
4	5/16" Shoulder Bolt x 2" Lg.	40043
5	#8-32NC SHCS x 5/8" Lg. (4 req'd)	40248
Kit	Locking Latch Kit (consist of 1, 2, 3, 4 & 5)	ML34-5
6	Ball Joint	ML10-80
7	Threaded Rod	ML10-82
8	Spherical Rod End	ML10-81
9	1/4"-28NF Hex Jam Nut (4 req'd)	40622
10	Cable Assembly	ML10-137
11	Bell Crank Assembly	ML10-72
12	3/8" Shoulder Bolt x 1 1/4" Lg.	40189
13	5/16" Flanged Lock Nut	40671
14	1/8" Roll Pin x 3/4" Lg.	14450
Kit	Locking Latch Linkage Kit (consist of 6, 7, 8, 9, 10, 11, 12, 13 & 14)	ML34-4
15	Locking Latch Solenoid	ML30-1
16	#8-32NC SHCS x 5/8" Lg. (4 req'd)	40248
17	#10 Flat Washer (4 req'd)	40785



World Headquarters
ROTARY LIFT
 Dover Industries Company
 100 Lanier Drive
 Madison, Indiana 47250 USA
 Phone toll-free: 1-800-445-5438
 (812) 273-1622
 FAX toll-free: 1-800-822-6502
 FAX: 1-(812) 273-6502

For Canada:
DOVER CORP. CANADA INC.
ROTARY LIFT DIVISION
 130 Bridgeland Avenue, Unit 210
 Toronto, Ontario, Canada M8A 1Z4
 1-(416) 256-4100
 FAX: (416) 256-3924

For Europe, Middle East & Africa:
ROTARY LIFT LIMITED
 Madison House
 2 Park Road
 Dartford, Kent DA1 1SL
 +44 1322 223323
 FAX: +44 1322 222454



World Leader in Lift Systems