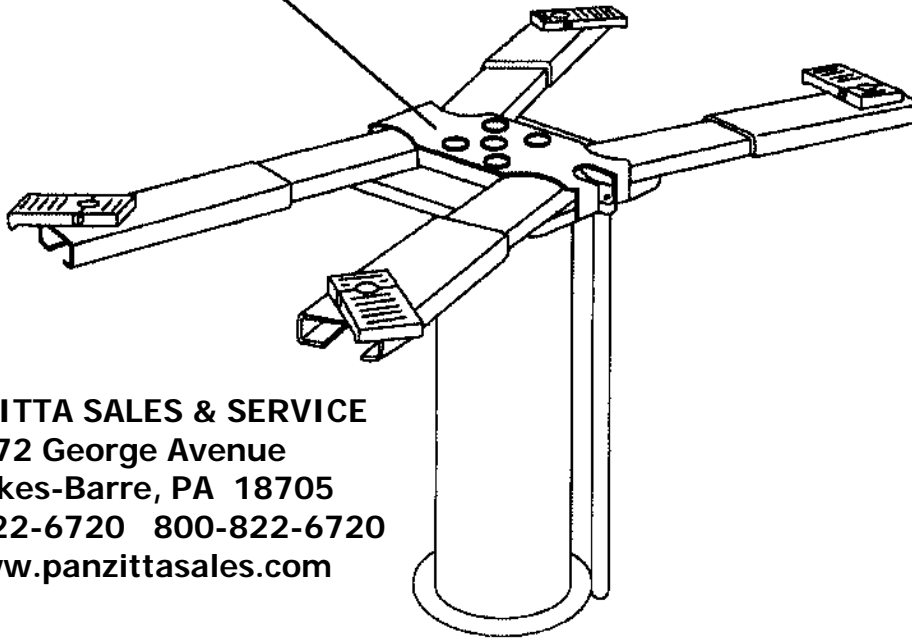




# Model FP46A-44 and above FP46H-19 and above Parts Breakdown

ORDER	_____
MODEL	_____
Date Installed	____/____/____
Cap Lib.	_____
XXXXXXXXXXXXXXXXXXXX SERIAL LEVER XXXX	



**PANZITTA SALES & SERVICE**  
72 George Avenue  
Wilkes-Barre, PA 18705  
570-822-6720 800-822-6720  
www.panzittasales.com

**IMPORTANT:** When ordering parts or requesting service always give exact model and power unit serial number. Model number is shown on nameplate attached to cover-plate. Jack serial number is located on side of plunger at point of attachment to the superstructure.

**NOTES:**

- \* For Air Valve, Valve body is not available as a replacement part. If body needs replacing, order a new FA376 or a FA377 valve.
- \* For Fluid Valve, Valve body is not available as a replacement part. If valve body needs replacing, order a new FA369 fluid valve. Always give valve manufacturer when ordering parts. Valve manufacturer located on valve body or on lever. If valve is a MacDonald, order parts with the suffix of AY. (Example: FA369-5AY, FA369-10AY, FA369-2AY, Etc.) FA369-5AY spring also includes a nylon reducing bushing.

**OWNERS RECORD**

Complete information at right and keep in a safe place.

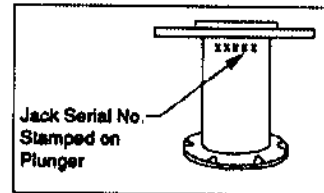
Date Installed \_\_\_\_\_/\_\_\_\_\_/\_\_\_\_\_

Installed In Bay # \_\_\_\_\_

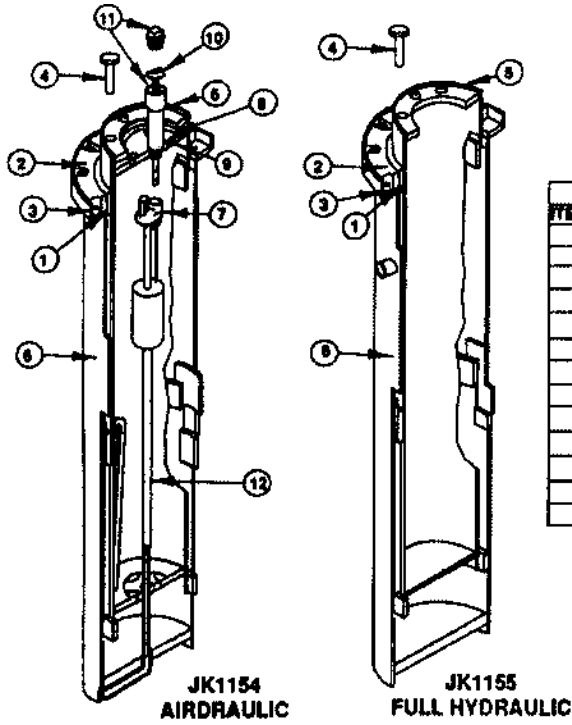
Serial # \_\_\_\_\_ JK1154  
 \_\_\_\_\_ JK1155

Factory Order # **L** \_\_\_\_\_

Model No# \_\_\_\_\_

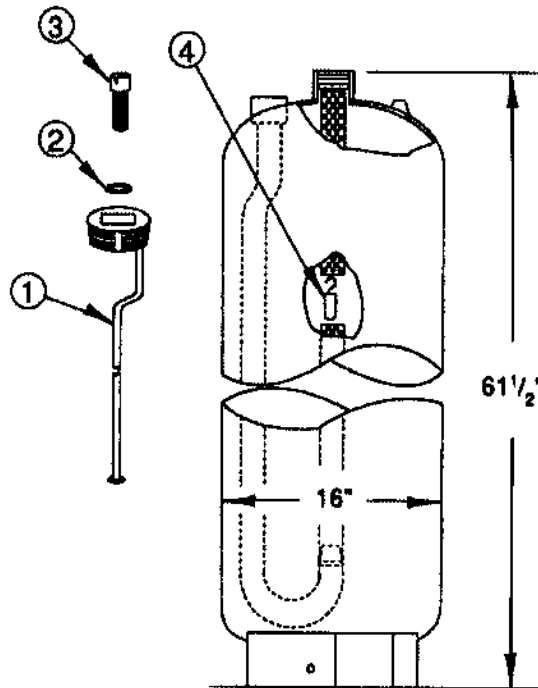


PANZITTA SALES & SERVICE  
 72 George Avenue  
 Wilkes-Barre, PA 18705  
 570-822-6720 800-822-6720  
 www.panzittasales.com

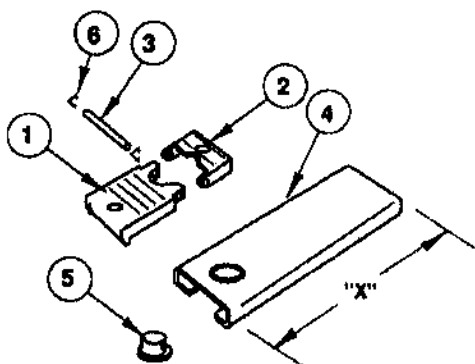


JACK PARTS			
ITEM NO.	DESCRIPTION	JK1154	JK1155
1	Hydra Seal	JK227	JK227
2	Packing Gland	JK22	JK22
3	Bleeder Plug	JX207	JX207
4	7/8"-ØNC x 4 1/2" Lg. HHCS	4 REQ'D	4 REQ'D
5	Plunger	JK482	JK478
6	Casing	JK7100	JK7101
7	Low Fluid Control	FA73	
8	Flange Bushing	JK488-2	
9	"O" Ring	JK438-3-1	
10	Fluid Gauge	JX196	
11	1" Close Nipple, Coupling & Plug		N/A
12	Replacement Airline	JX160	

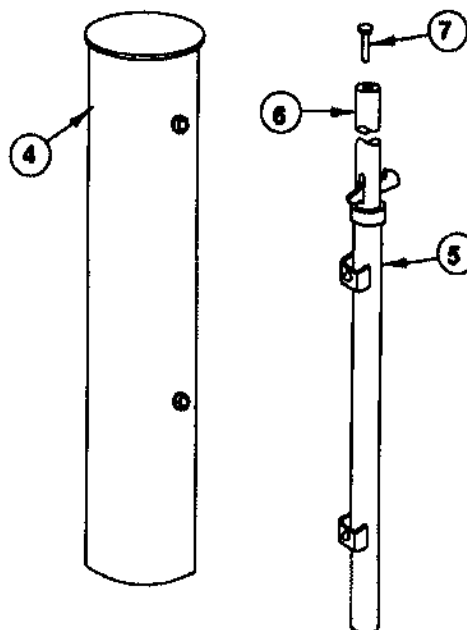
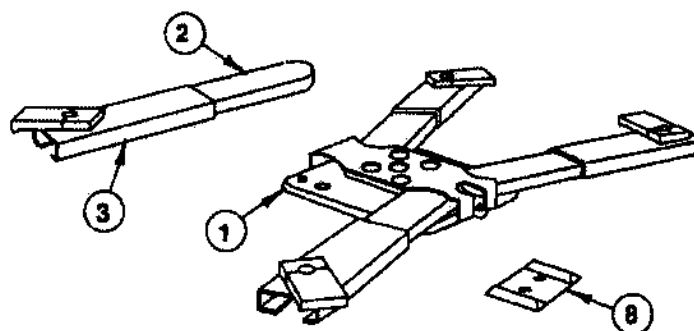
FA144 TANK		
ITEM NO.	DESCRIPTION	PART NO.
1	FM Plug/Gauge Assembly	FA123-18
2	Seal	FA123-12
3	Vent Screw	FA123-11
4	Low Fluid Control	FA123-B



PANZITTA SALES & SERVICE  
 72 George Avenue  
 Wilkes-Barre, PA 18705  
 570-822-6720 800-822-6720  
 www.panzittasales.com



ADAPTER PARTS		
ITEM NO.	DESCRIPTION	PART NO.
1	Adapter High Step	FJ671-1
2	Adapter Low Step	FJ671-2
3	Adapter Pin	FJ671-3
4	Adapter Base ("X" Dim 19")	FJ692-1
5	Swivel Pin	FJ671-5
6	3/32" Hog Ring For 1/2" Shaft	FJ671-6



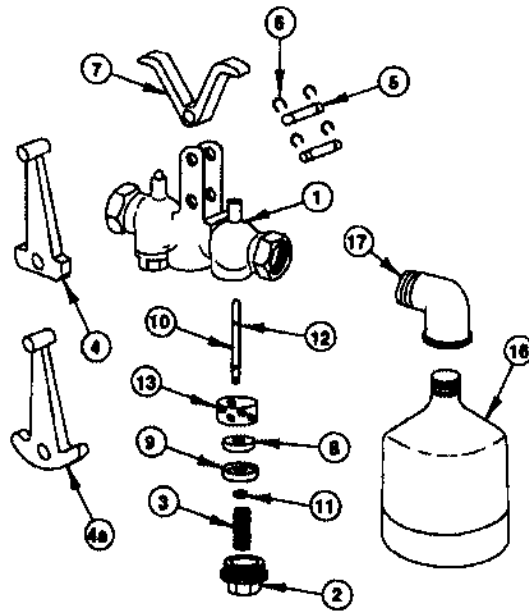
FP46 REPLACEMENT PARTS		
ITEM NO.	DESCRIPTION	PART NO.
1	Yoke	FJ2202
2	Arm Assembly	FJ2199
3	Adapter Assembly	FJ692
4	FP46 Airdraulic	JK1154
	FP46 Full Hydraulic	JK1156
5	Outer Pipe	FA2158
6	Inner Pipe	FA2107
7	3/4"-10NC x 3 1/2" Lg. HHCS	1 REQ'D
8	Wheel Spotting Dish	FF729

FP49A-44 & FP46H-19.max

PANZITTA SALES & SERVICE  
 72 George Avenue  
 Wilkes-Barre, PA 18705  
 570-822-6720 800-822-6720  
 www.panzittasales.com

AIR VALVE PARTS		
ITEM NO.	DESCRIPTION	PART NO.
1	Body <sup>ⓐ</sup>	N/A
2	Cap	FA376-2
3	Spring	FA376-3
4	Locking Lever	FA377-1
4a	Non Locking Lever	FA376-4
5	Pin	FA376-5
6	Snap Ring	FA376-6
7	Rocker Arm	FA376-7
8	Disc	FA376-8
9	Disc Cage	FA376-9
10	Stem	FA376-10
11	Stem Nut	FA376-11
12	"O" Ring	FA376-12
13	Screen	FA376-13
15	Stem Assy. Pc's 8, 9, 10, 11 & 12	FA376-15
16	Muffler	FA615

ⓐ Valve body not available as a replacement part. If body needs replacing, order a new FA376 or an FA377 valve.



FA369 HAND OPERATED FLUID VALVE PARTS		
ITEM NO.	DESCRIPTION	PART NO.**
1	Body*	N/A
2	Cap	FA369-2
3	Disc	FA369-3
4	Lever	FA369-4
5	Spring	FA369-5
6	"O" Ring Retainer	FA369-6
7	"O" Ring	FA369-7
8	Stem	FA369-8
9	Handle Nut	FA369-9
10	Lever Handle	FA369-10

\* Valve body not available as a replacement part. If valve body needs replacing, order a new FA369 fluid valve.

\*\* Always give valve manufacturer when ordering parts. Valve manufacturer located on valve body or on lever. If valve is a MacDonal, order parts with the suffix of AY. (Example: FA369-5AY, FA369-10AY, FA369-2AY, Etc.)

ⓐ FA369-5AY spring also includes a nylon reducing bushing.

