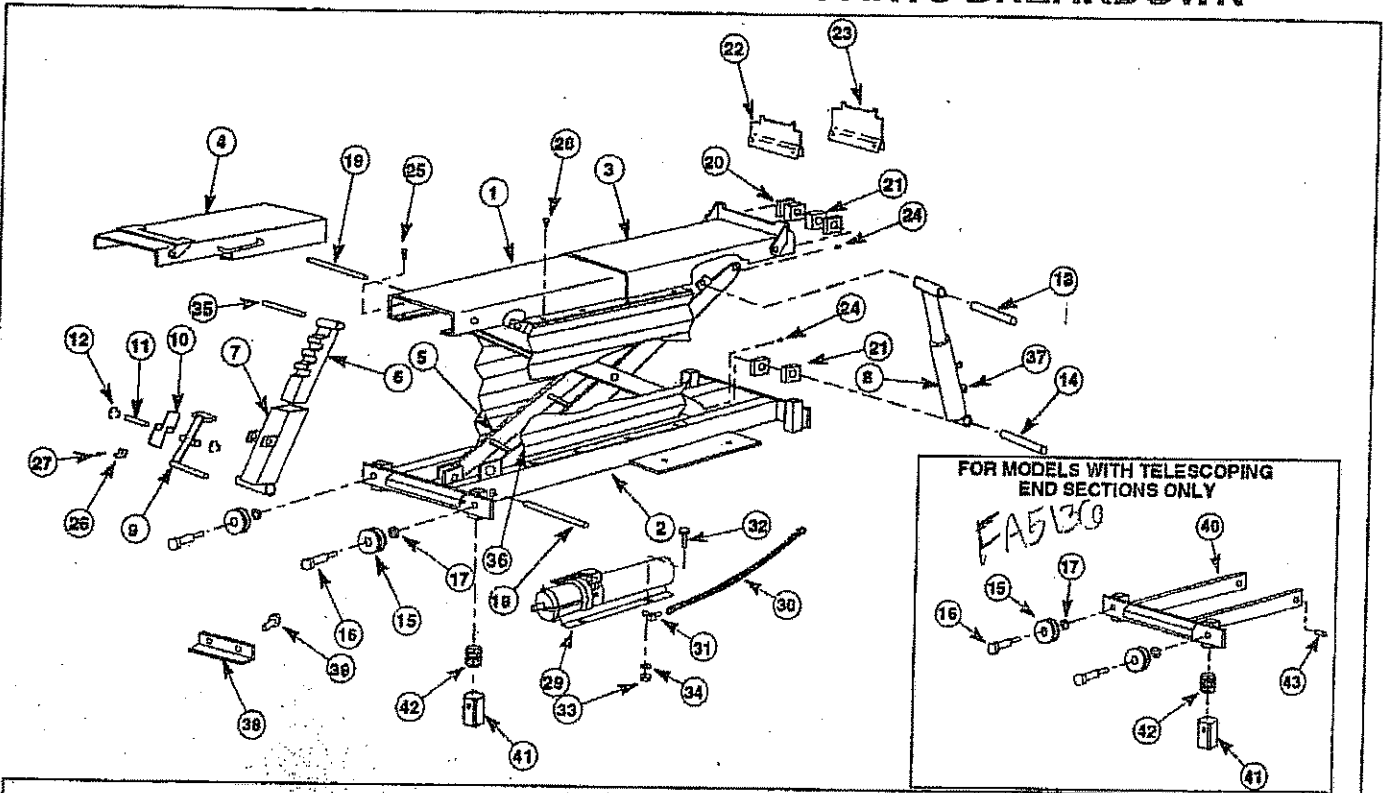


**MODELS FC5269, FC5277,  
 FC5278 AND FC5279  
 ROLLING JACKS  
 PARTS BREAKDOWN**



**REPLACEMENT PARTS**

ITEM	DESCRIPTION	PART NO.				ITEM	DESCRIPTION	PART NO.			
		FC5269	FC5277	FC5278	FC5279			FC5269	FC5277	FC5278	FC5279
1	Upper Channel Assy	FC5185-6				23	Auxiliary Adapter	FC578			
2	Lower Channel Assy	FC5185-40	FC5277-2	FC5277-2	FC5277-2	24	3/16" x 1 3/4" Spiral Pin	6 Req'd			
3	R.H. Sliding Adapter	FC5185-10				25	Stop Bolt	FC578			
4	L.H. Sliding Adapter	FC5185-7				26	Clip	FC5141-16			
5	Link Weld Assembly	FC5185-19				27	#10-32 FHMS x 1/4" Lg. & Washer	1 Ea. Req'd			
6	Strut Assembly	FC5185-14				28	Retainer	FC5185-69			
7	Sleeve Assembly	FC5141-1				29	Pump	FC5185-53	FC5185-53	FC5270-1	FC5185-53
8	Hydraulic Cylinder	FC5185-20				30	Hose	FC5110			
9	Latch Assembly	FC5141-2				31	Elbow	FC5183-2			
10	Spring	FC5141-15				32	5/16"-18NC HHCS CD PLT x 3/4" Lg.	2 Req'd			
11	Pin	FC5141-12				33	5/16"-18NC Hex Nut	2 Req'd			
12	Welds #S304-37, 3/8" Kilpring	2 Req'd				34	5/16" L.W.	2 Req'd			
13	Upper Axle	FC5185-23				35	Pin	FC5185-9			
14	Lower Axle	FC5185-21				36	Guard	FC5144-1			
15	Roller	FC5185-61				37	Elbow Adapter	FC5185-45			
16	Axle	FC67-28H				38	Retainer	FC5270-22	FC5124-2	FC5124-2	FC5124-2
17	Washer	FC5277-20				39	3/8"-16NC HHCS x 3/4" & LW	**2 Req'd	2 Req'd	2 Req'd	2 Req'd
18	Lower Shell	FC5185-4				40	Telex. End Section	N/A	FC5277-6	FC5277-5	FC5277-5
19	Upper Shell	FC5181-5				41	Inner Guide	FC67-28H			
20	Slider	FC5185-68				42	Spring	FC5277-10			
21	Slider	FC5185-67				43	1/4" x 1" Lg. Spiral Pin	N/A	4 Req'd	4 Req'd	4 Req'd
22	Auxiliary Adapter	FC5108									

NOTE: If no part number is present, the FC5269 part number applies.

APPLICATION CHART	
ROLLING JACK	USED ON
FC5269	AR94, AR94A, AR10A, AR10H, 35AR, 35HR
*FC5277	SM80, CWA90, AR90
*FC5278	SM120, CWA120, AR120
*FC5279	AR28H, 28HR

**Complete Information Below And Keep In A Safe Place**

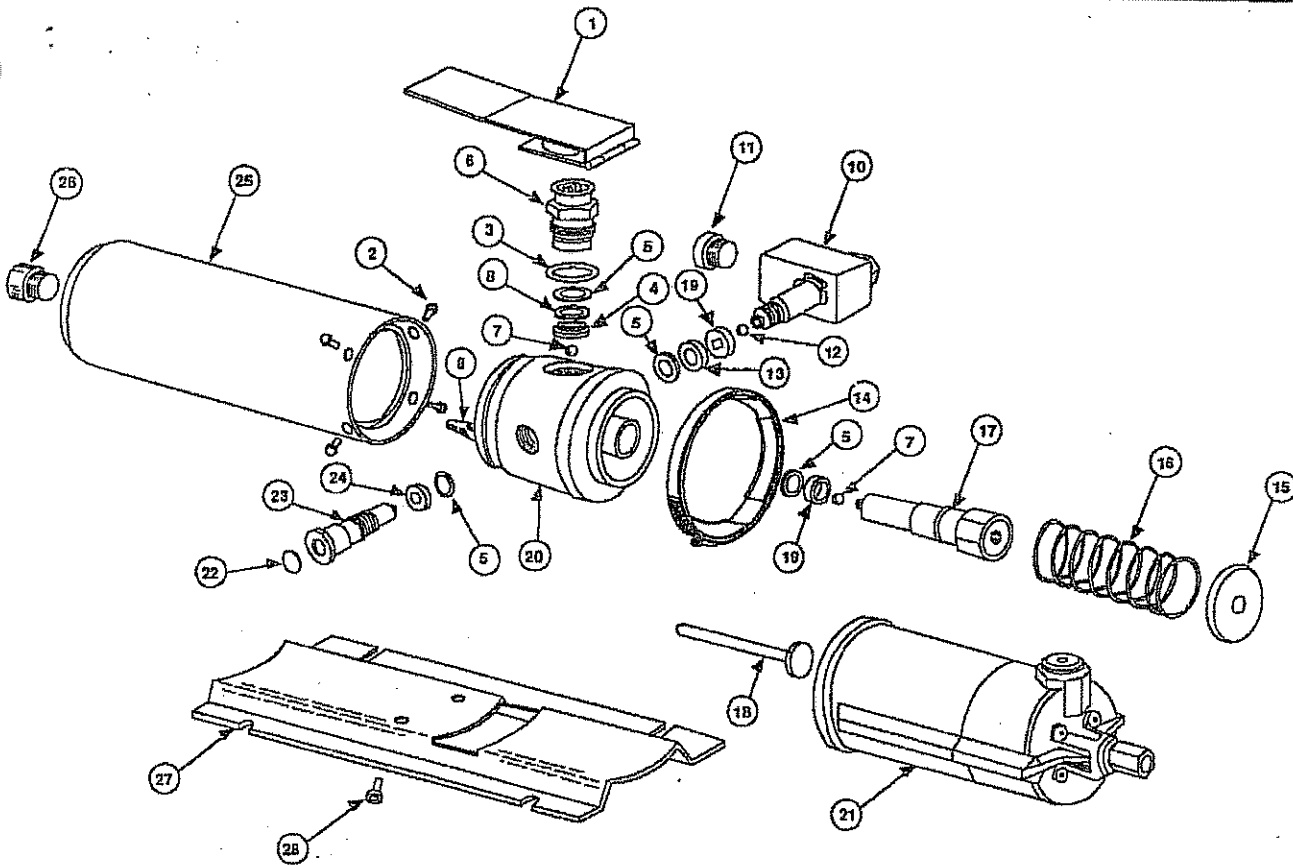
Date Installed: \_\_\_\_\_

Installed In Bay #: \_\_\_\_\_

Model Order # 1: \_\_\_\_\_

**IMPORTANT:** When ordering parts or requesting service, always give exact model number. Model number is shown on nameplate attached to superstructure.

\* Indicates Jack With Telescoping End Sections For Use On Lifts With Adjustable Runways  
 \*\* FC5269 Requires 3/8"-16NC HHCS x 1/2" Lg.



**REPLACEMENT PARTS**

	DESCRIPTION	PART NO.	ITEM NO.	DESCRIPTION	PART NO.
1	Handle	FC5163-4	15	Washer	A8009.108
2	Screw	CF318.028	16	Spring	CH210.110
3	"O" Ring	B1118.903	17	Hyd. Cylinder Assy.	CH203.950
4	Seat, Ball	CB581.290	18	Plunger	CB180.040
5	Gasket	P200.37	19	Seat, Ball	CH814.290
6	Release Plunger & Roller Assy.	CF182.900	20	Hydraulic Body Assy.	CL166.950
7	Ball (.219 Dia.)	B1006.016	21	Air Motor Assy.	CF181.900
8	Gasket	CL344.167	22	Plug, Safety Valve	B161.272
9	Filter	CB981.018	23	Relief Valve Assy.	CH202.950
10	Swivel Coupler Assy.	CF692.950	24	Seat, Ball	CB576.290
11	Plug	R515.245-2	25	Reservoir Assy.	CF180.900
12	Ball (.250 Dia.)	B1007.016	26	Reservoir Cap Assy.	CL164.950
13	Guide, Ball	CH411.013	27	Base	CB108.005
14	"V" Retaining Ring	CB219.044	28	Capscrew	B1320.028

**ROTARY LIFT**  
A DOVER INDUSTRIES COMPANY

ROTARY LIFT  
A DOVER INDUSTRIES COMPANY  
P.O. Box 30205 Airport Station  
Memphis, TN 38130  
Phone toll-free 1-800-445 LIFT (5438)  
(901) 345-2900  
FAX: (901) 332-4250

For Export:  
ROTARY LIFT EXPORT COMPANY  
200 Executive Drive, Suite 220  
West Orange, NJ 07062  
(201) 325-9838  
Telex #13-8893

For Canada:  
DOVER CANADA  
31 Progress Court, Unit 10  
Scarborough, Ontario, Canada M1G3V5  
(416) 439-9713  
Telex #065-2546B

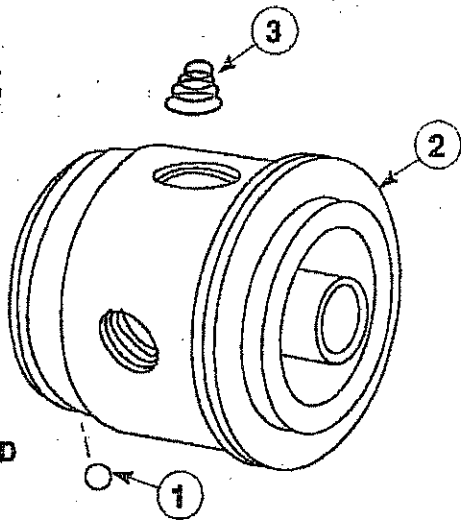


FIG D

FIG D HYDRAULIC BODY ASSEMBLY

ITEM NO.	DESCRIPTION	PART NO.
1	Ball	B1006.016
2	Body	DA653.190
3	Spring	CH813.110

FIG E RELIEF VALVE ASSEMBLY		
ITEM NO.	DESCRIPTION	PART NO.
1	Plug	A8005.007
2	Spring	A8035.110
3	O-Ring	B1003.503
4	O-Ring	B1220.503
5	Body, Relief Valve	CB580.190
6	Setscrew (Nyloc)	L86.028
7	Guide, Ball	CH160.950

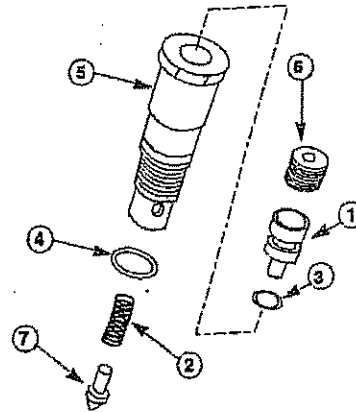


FIG E

FIG F  
AIR MOTOR  
ASS'Y

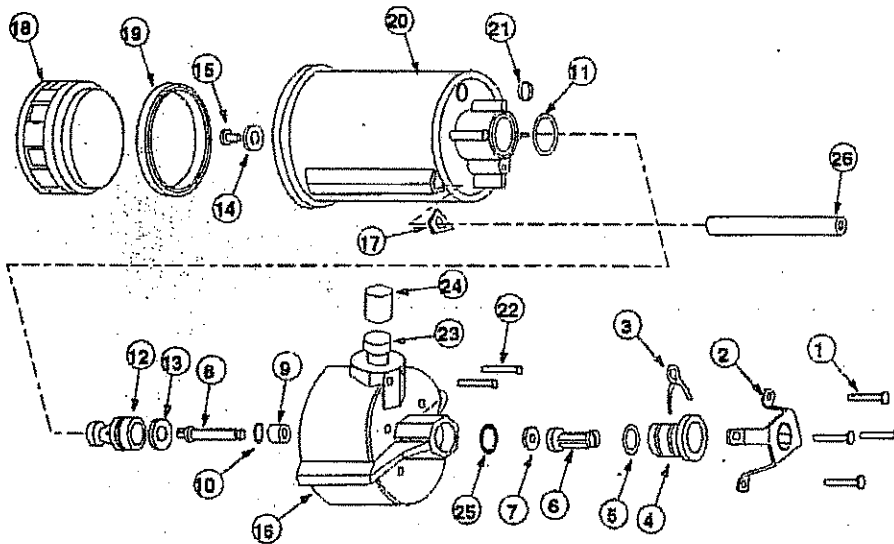


FIG F AIR MOTOR ASS'Y

ITEM NO.	DESCRIPTION	PART NO.	ITEM NO.	DESCRIPTION	PART NO.
1	Cap Screw, Button Hd.	CR50.028	14	Seal, Washer	CB644.108
2	Cover, Retaining	CH49.098	15	Screw, Pan Hd.	CF157.028
3	Ring, Retaining	CH50.044	16	Cover	CR500.098
4	Coupler Assembly	CL163.950	17	Seal, Cover	CB919.041
5	O-Ring	B1220.503	18	Air Piston Assembly	CK354.950
6	Filter	CB256.018	19	U-Cup	CB808.041
7	Grommet	DA3455.808	20	Cylinder	CR499.030
8	Plunger, Poppet	CH45.040	21	O-Ring	B1004.503
9	Bushing	CH79.039	22	Pin, Spring	B1040.057
10	O-Ring	B1001.503	23	Piston Poppet Sub Assembly	DA348.900
11	O-Ring	B1226.503	24	Rubber Boot	A8093.098
12	Piston Assembly	CK353.950	25	O-Ring	DA3776.503
13	Quad Ring	CM322.041	26	Tube	CA1204.268

**Rotary Lift**

ROTARY LIFT  
A Dover Industries Company  
P.O. Box 1560  
Madison, Indiana 47250-0560  
Phone toll-free: 1-800-445-LIFT  
(812) 273-1622  
FAX: (812) 273-8502

For Export  
ROTARY LIFT EXPORT  
COMPANY  
200 Executive Drive, Suite 320  
West Orange, NJ 07052  
(201) 325-3535  
Telex # 13-8693  
FAX: (201) 325-7974

For Canada:  
DOVER CORPORATION CANADA -  
ROTARY LIFT DIVISION  
130 Bridgeland Avenue, Unit 210  
Toronto, Ontario, Canada M6A 1Z4  
(416) 256-4100  
FAX: (416) 256-3924