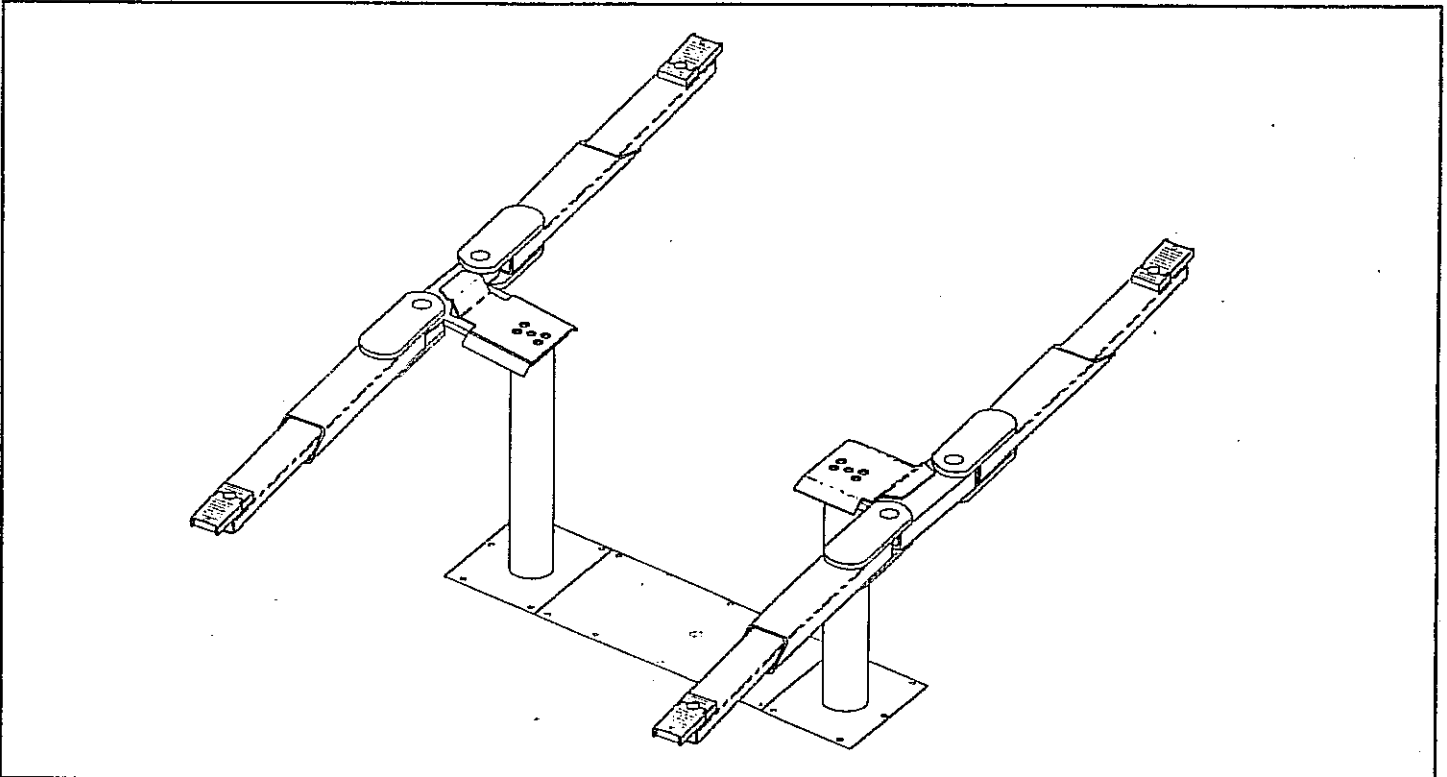




World Leader in Lift Systems

SMART LIFTS MODELS

- SL9 (SL90100) .. Two-Plunger Frame Engaging Lift with Flip-up Adapters
- SL9-RA (SL90105) .. Two-Plunger Frame Engaging Lift with Rubber Pad Adapters
- SL9-SPA (SL90102) .. Two-Plunger Frame Engaging Lift with Adjustable Rubber Pads
- SL9-BU (SL90101) .. Two-Plunger Base Unit Lift
- SL90104 Two-Plunger Frame Engaging Lift with Fixed Rubber Pads



IMPORTANT: When ordering parts or requesting service always give exact model and power unit serial number. Model number is shown on nameplate attached to air lock release valve. Power unit serial number is located on side of power unit reservoir.

NOTES:

OWNERS RECORD

Complete information at right and keep in a safe place.

Date Installed _____ / _____ / _____

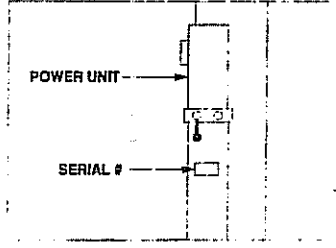
Installed In Bay # _____

Std. Pwr. Unit Serial # _____ Model # _____

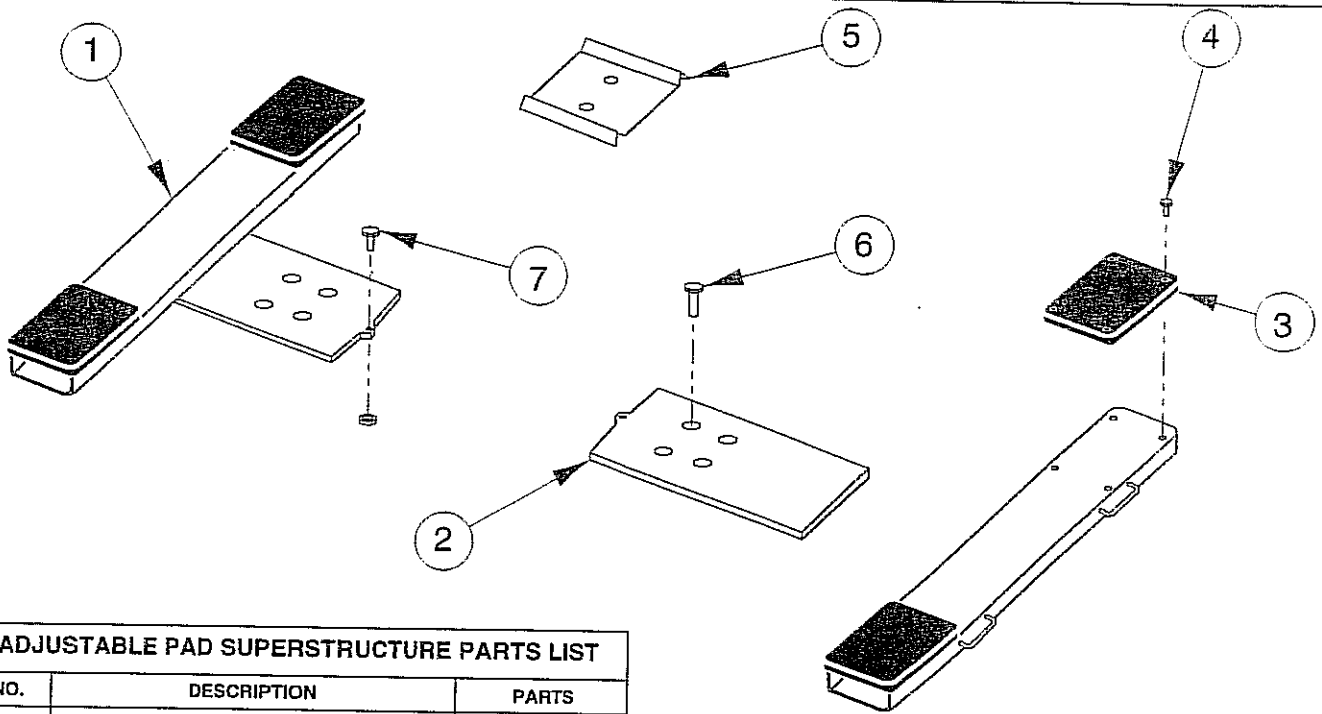
3 ph. Pwr. Unit. Serial # _____ Model # _____

Lift Serial # _____

Model No# _____

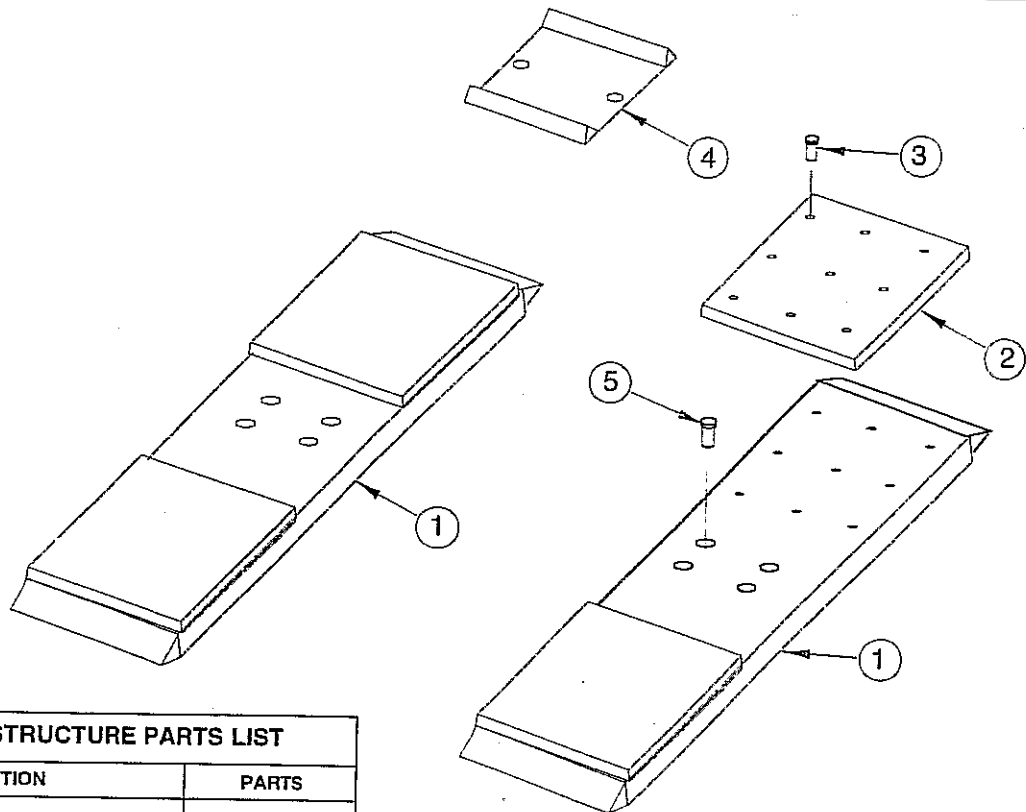


NOTE: For Replacement Parts - See Your Nearest Rotary Parts Distributor



SL9 ADJUSTABLE PAD SUPERSTRUCTURE PARTS LIST

| ITEM NO. | DESCRIPTION | PARTS |
|----------|---|----------|
| 1 | Pad and Support Assembly | FJ2193 |
| 2 | Yoke | T120026 |
| 3 | Rubber Pad | FJ2177-2 |
| 4 | $\frac{1}{2}$ " x 1" SD8128S Blind Pop Rivets (6 Req'd each pad) | 41351 |
| 5 | Wheel Spotting Dish | FF729 |
| 6 | $\frac{7}{8}$ "-9NC x $2\frac{1}{2}$ " Soc. FL C'Sunk Hd CS (8 Req'd) | 40474 |
| 7 | $\frac{3}{8}$ "-16NC x $\frac{5}{8}$ " HHCS Gd. 8 Ptl. (2 Req'd) | 40155 |
| | $\frac{3}{8}$ "-16NC Hex Nut (2 Req'd) | 40660 |

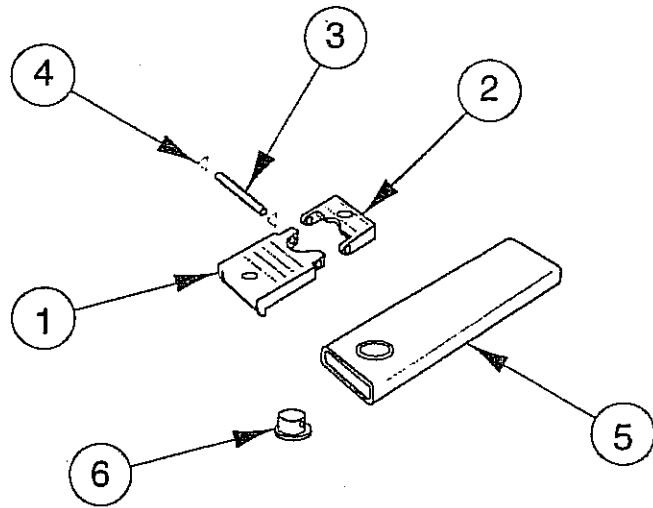
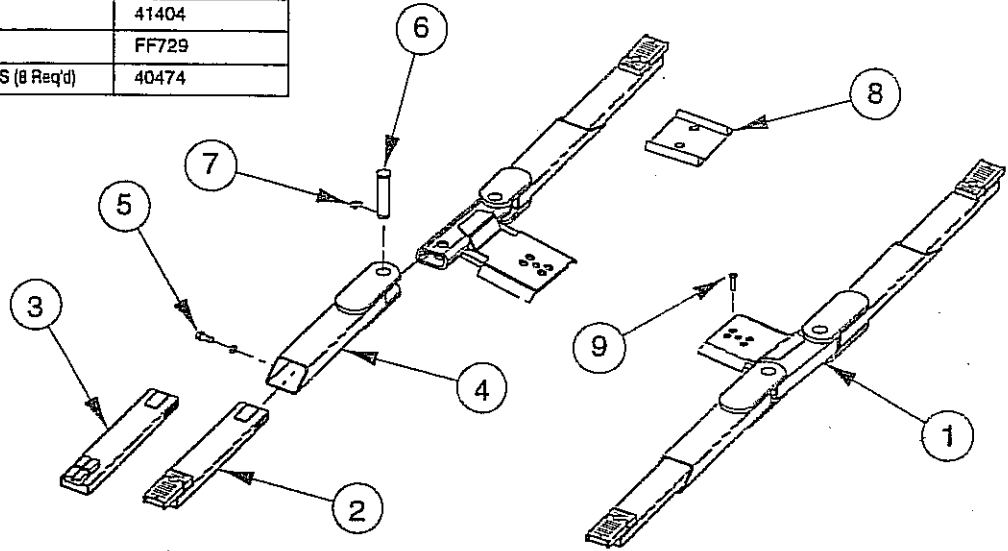


SL9 FIXED PAD SUPERSTRUCTURE PARTS LIST

| ITEM NO. | DESCRIPTION | PARTS |
|----------|---|----------|
| 1 | Pad Assembly | T110015 |
| 2 | Rubber Pad | FJ2252-5 |
| 3 | $\frac{1}{2}$ " x 1" SD8128S Blind Pop Rivets (6 Req'd each pad) | 41351 |
| 4 | Wheel Spotting Dish | FF729 |
| 5 | $\frac{7}{8}$ "-9NC x $2\frac{1}{2}$ " Soc. FL C'Sunk Hd CS (8 Req'd) | 40474 |

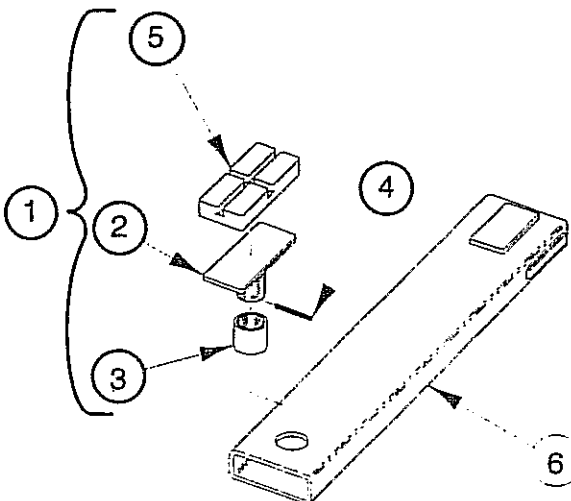
SL9 SWING ARM SUPERSTRUCTURE PARTS LIST

| ITEM NO. | DESCRIPTION | PARTS |
|----------|---|----------|
| 1 | Yoke | T120067 |
| 2 | Inner Tube with Flip-Up Adapter | FJ7150-2 |
| 3 | Inner Tube with Rubber Pad Adapter | FJ7866-1 |
| 4 | Outer Tube | T120068 |
| 5 | $\frac{3}{8}$ "-16NC x $\frac{5}{8}$ " HHCS Gd. 8 PIL (4 Req'd) | 40155 |
| | $\frac{3}{8}$ " Internal Tooth Lock Washer (4 Req'd) | 40843 |
| 6 | Arm Pin | T130066 |
| 7 | Tnuarc #5100-187 | 41404 |
| 8 | Wheel Spotting Dish | FF729 |
| 9 | $\frac{1}{8}$ "-9NC x $2\frac{1}{2}$ " Soc. FL C'Sunk Hd CS (8 Req'd) | 40474 |



SL9 FLIP-UP ADAPTER PARTS LIST

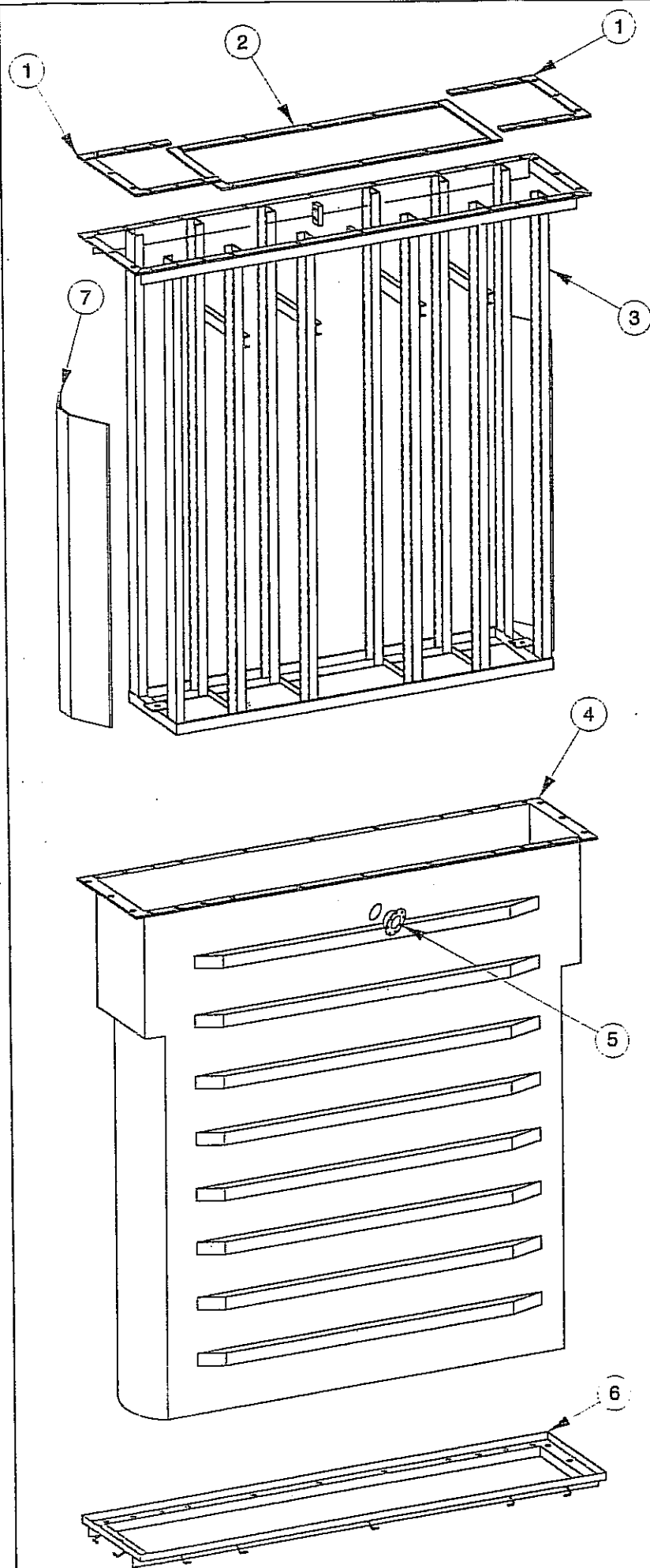
| ITEM NO. | DESCRIPTION | PARTS |
|----------|--------------------|---------|
| 1 | Adapter High Step | FJ671-1 |
| 2 | Adapter Low Step | FJ671-2 |
| 3 | Adapter Pin | FJ671-3 |
| 4 | Hog Ring Clips | FJ671-6 |
| 5 | Inner Arm Tube | T120025 |
| 6 | Adapter Swivel Pin | FJ79-6 |



SL9 RUBBER PAD ADAPTER PARTS LIST

| ITEM NO. | DESCRIPTION | PARTS |
|----------|---|----------|
| 1 | Adapter Assembly (consists of PC's 2, 3, 4 & 5) | FJ6125 |
| 2 | Rectangular Adapter Weldment | FJ7859 |
| 3 | Insert | FJ7864-3 |
| 4 | $\frac{1}{8}$ " x $1\frac{1}{2}$ " Roll Pin (4 Req'd) | 14451 |
| 5 | Adapter Pad | FJ7735-2 |
| 6 | Inner Tube with Rubber Pad Adapter * | FJ7866-1 |

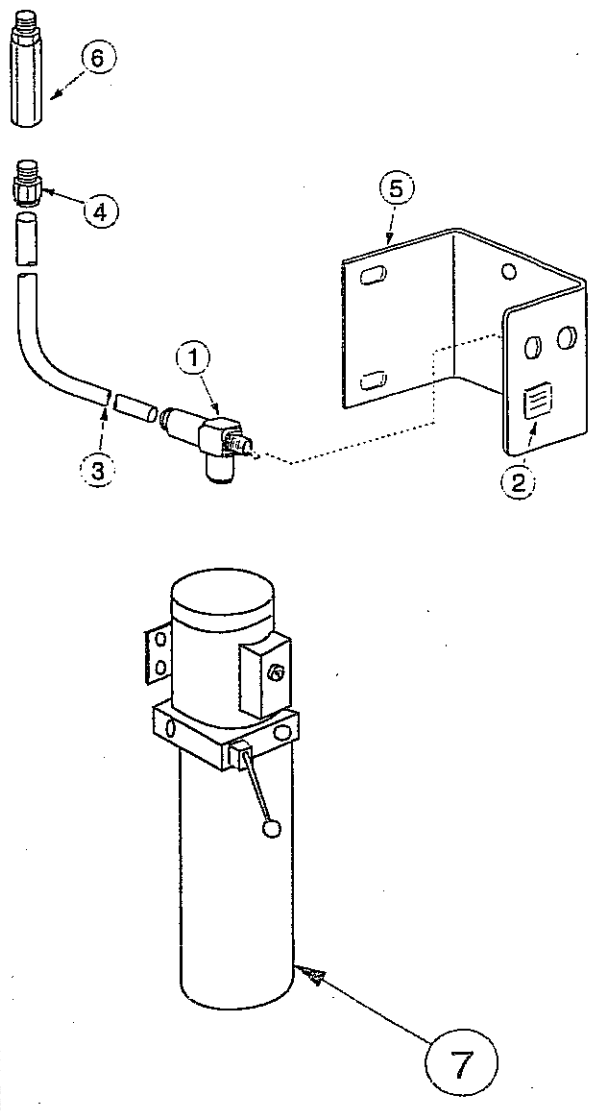
Includes Items (2), (3), (4) & (5).

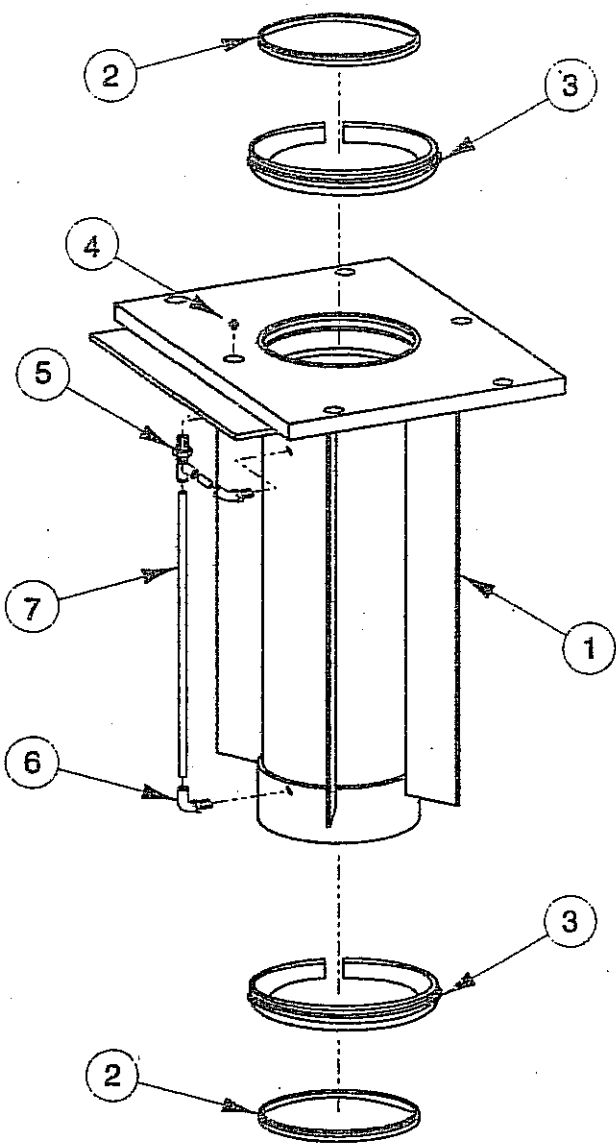


| SL9 EXTERNAL PARTS LIST | | |
|-------------------------|-----------------------|---------|
| ITEM NO. | DESCRIPTION | PARTS |
| 1 | Gasket End | T140020 |
| 2 | Gasket Center | T140019 |
| 3 | Frame | T120036 |
| 4 | Tube | T130016 |
| 5 | 2' Uniseal | T140029 |
| 6 | Concrete Anchor Frame | T120008 |
| 7 | Side Sheet | T130087 |

| SL9 AIR VALVE/POWER UNIT PARTS LIST | | |
|-------------------------------------|-------------------------------|-----------|
| ITEM NO. | DESCRIPTION | PARTS |
| 1 | Air Valve * | FA2273-3 |
| 2 | Nameplate * | NP280 |
| 3 | 1/4" Tubing * | FA2273-4 |
| 4 | 1/4" Push-In 1/4" NPT Fitting | |
| 5 | Control Assembly Bracket | T130099 |
| 6 | Filter | FA3134-12 |
| 7 | Power Unit | P702 |

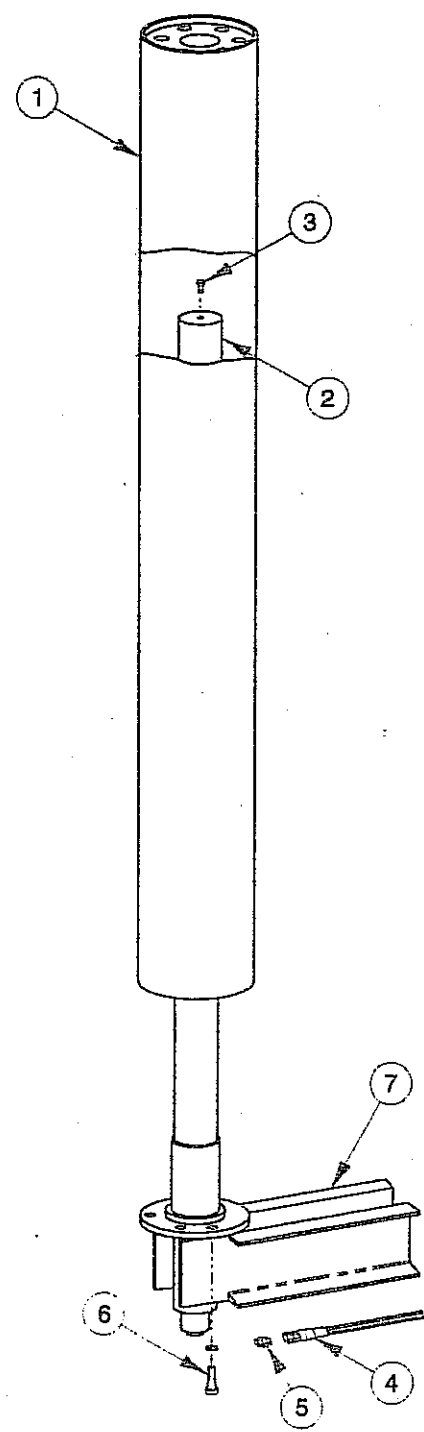
* Available as an assembly FA3134

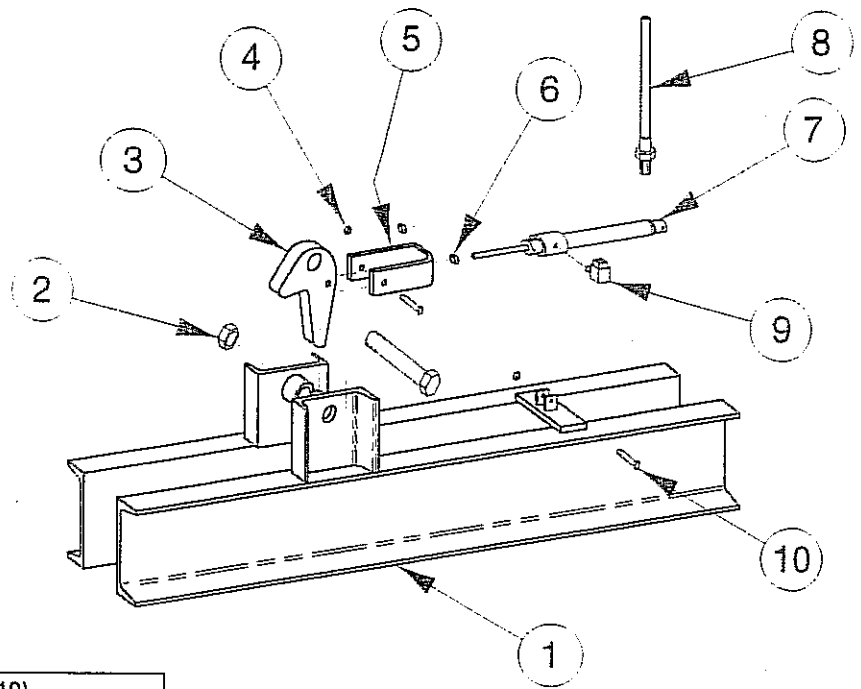




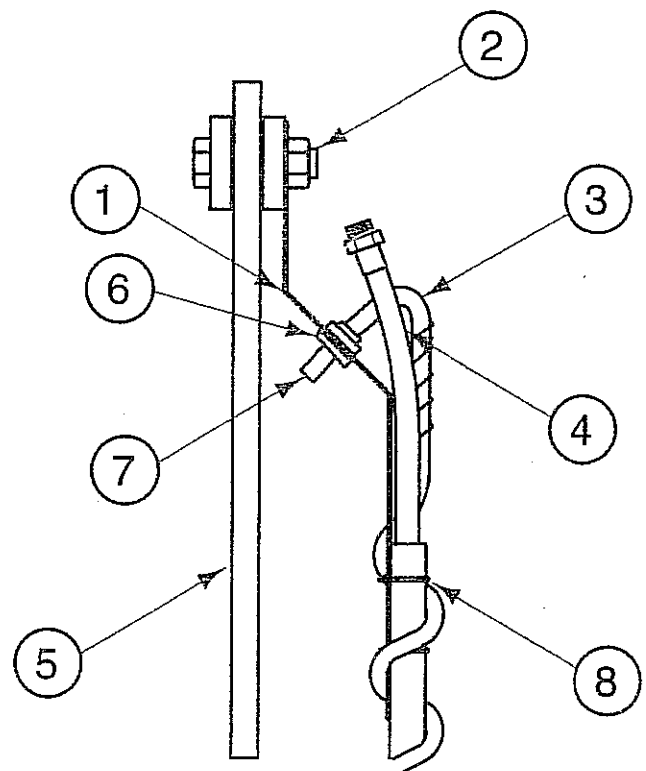
| GUIDE BARREL ASSEMBLY (T110020) | | |
|---------------------------------|----------------------|------------|
| ITEM NO. | DESCRIPTION | PARTS |
| 1 | Bearing Assembly | T120051 |
| 2 | Wiper | T140018 |
| 3 | Bearing | T140016 |
| 4 | Grease/Zerk Fitting | T140007 |
| 5 | Swivel Male Tee | 15107 |
| 6 | Male Elbow Connector | 15105 |
| 7 | 1/4" Nylon Tube | T110007PC9 |

| PLUNGER ASSEMBLY | | |
|------------------|---------------------------------------|----------|
| ITEM NO. | DESCRIPTION | PARTS |
| 1 | Plunger | T120054 |
| 2 | Hydraulic Cylinder | FJ7664 |
| 3 | Bleeder Screw (specify manufacturer) | 2 Req'd |
| 4 | Hose | T140025 |
| 5 | Straight Adapter | FJ7352-3 |
| 8 | 1/2"-13NC x 2" Lg. Soc. Hd. Cap Screw | 40317 |
| | 1/2" Ext. Lock Washer | 40880 |
| 7 | Equalizer | T120006 |
| Not Shown | Bleeder Tool | T120024 |





| EQUALIZER ASSEMBLY (T110019) | | |
|------------------------------|--|----------|
| ITEM NO. | DESCRIPTION | PARTS |
| 1 | Equalizer | T120050 |
| 2 | $\frac{3}{4}$ "-10NC x $4\frac{1}{2}$ " Lg. HHCS. Zn. Plt. Gd. 5 | 40457 |
| | $\frac{3}{4}$ "-10NC Hex Nut | 40760 |
| 3 | $\frac{3}{4}$ " Ext. Tooth Lock Washer | 40995 |
| | Locking Latch | T130015 |
| 4 | $\frac{1}{2}$ "-20NC x $1\frac{1}{2}$ " Lg. HHCS. | 40110 |
| | $\frac{1}{2}$ "-20NC Hex Lock Nut | 41423 |
| 5 | Clevis | T130014 |
| 6 | $\frac{1}{4}$ "-20NF Hex Nut | 40648 |
| 7 | Air Cylinder | FC5309-3 |
| 8 | Air Coil Hose | T140030 |
| 9 | Street Elbow | FA299-12 |
| 10 | $\frac{1}{2}$ "-20NC x $1\frac{1}{2}$ " Lg. HHCS. | 40115 |
| | $\frac{1}{2}$ "-20NC Hex Nylon Insert Lock Nut | 40642 |



| HYDRAULIC and AIR LINE CONNECTION | | |
|-----------------------------------|--|---------|
| ITEM NO. | DESCRIPTION | PARTS |
| 1 | Hose Rod Support | T130093 |
| 2 | $\frac{7}{8}$ "-9NC x 3" Lg. HHCS Gr. 5 Zn Plt | 40497 |
| | $\frac{7}{8}$ "-9NC Hex Nut | 40765 |
| | $\frac{7}{8}$ " Ext. Lock Washer | 41070 |
| 3 | Air Coil Hose | T140030 |
| 4 | Hydraulic Hose | T140013 |
| 5 | Locking Latch Bar | T130001 |
| 6 | Connector | FC147-1 |
| 7 | 90° Elbow | AQ69PS |
| 8 | U-Bolt w/ $\frac{1}{4}$ "-20 Hex Nuts | T140031 |