

Anti-freeze Transfer Pump Packages

310650B

Used to supply anti-freeze in a Matrix[®] system.

Part No. 248321, 5:1 Monark[®] Stubby

120 psi (0.8 MPA, 8.4 bar) Maximum Air Inlet Pressure

600 psi (4.2 MPA, 42 bar) Maximum Fluid Working Pressure

Part No. 248322, 5:1 Monark[®]

For use with 55 gallon drums

180 psi (1.25 MPA, 12.5 bar) Maximum Air Inlet Pressure

900 psi (6.3 MPA, 63 bar) Maximum Fluid Working Pressure

Part No. 248323, 3:1 President[®] Stubby

166 psi (1.1 MPA, 11 bar) Maximum Air Working Pressure

500 psi (3.4 MPA, 34 bar) Maximum Fluid Working Pressure

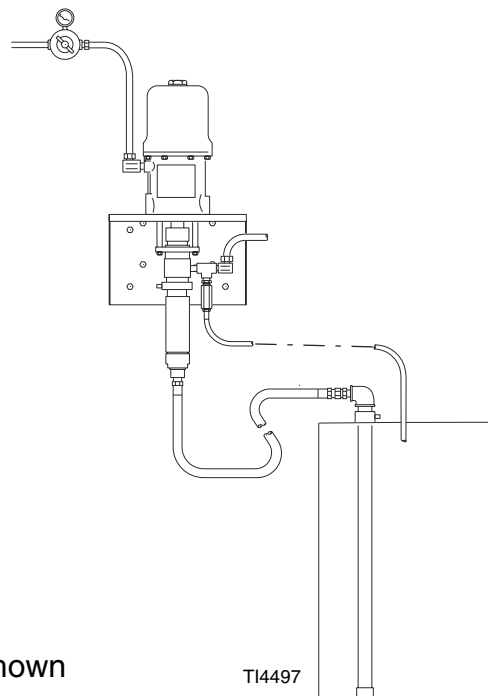


Read warnings and instructions.

See the individual pump and motor manuals referenced, for important safety warnings and installation, operation, and service instructions.



A CleanLine[®] filter must be used whenever Matrix meters are used to dispense oil or anti-freeze. Use the high-pressure, wall-mount CleanLine filter unit (248419) for anti-freeze mixtures. Low-pressure CleanLine filter models are not compatible with anti-freeze.



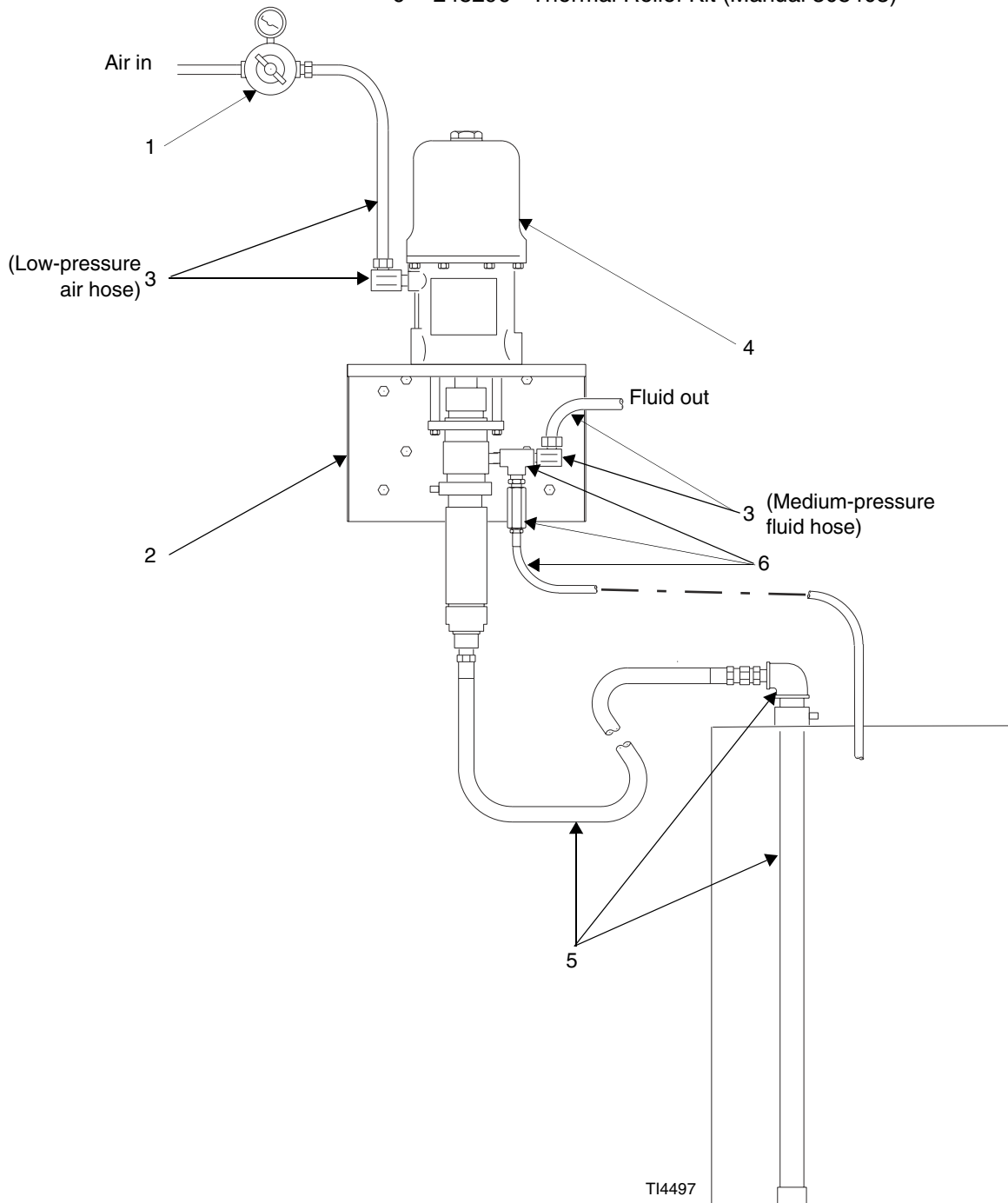
248321 Shown

TI4497

Typical Installation

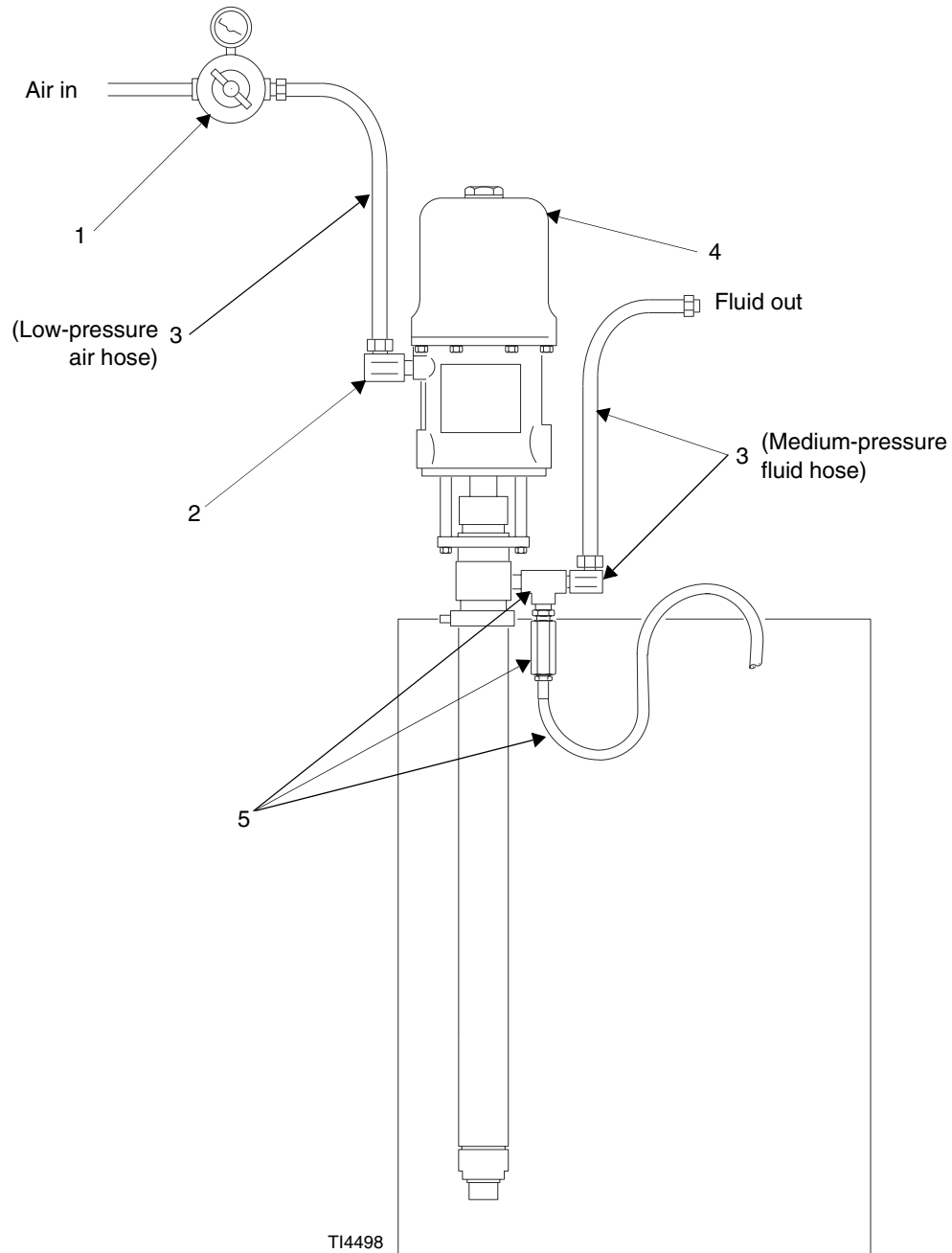
Model 248321, 5:1 Monark Stubby

| | | | |
|---|--------|---|---|
| 1 | 109075 | Air Regulator (Manual 308167) | 1 |
| 2 | 207365 | Wall Mount Bracket (Manual 306783) | 1 |
| 3 | 222063 | Hose and Fitting Kit | 1 |
| | | low-pressure air hose | |
| | | medium-pressure fluid hose | |
| 4 | 224343 | Monark Pump (Manuals 308116 and 307043) | 1 |
| 5 | 236054 | Suction Kit (Manual 308335) | 1 |
| 6 | 248296 | Thermal Relief Kit (Manual 308403) | 1 |



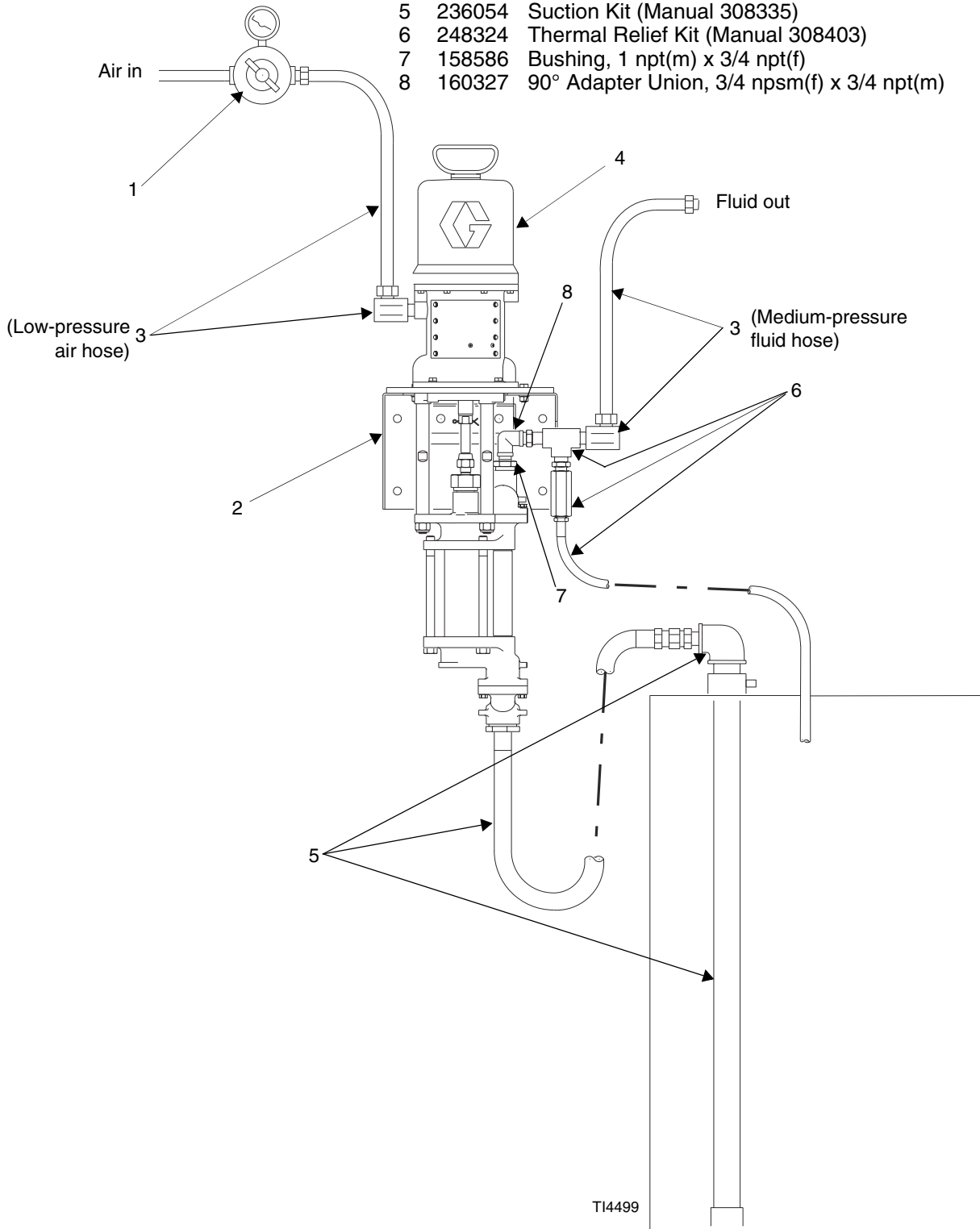
Model 248322, 5:1 Monark 55 Gallon

| | | | |
|---|--------|---|---|
| 1 | 109075 | Air Regulator (Manual 308167) | 1 |
| 2 | 217430 | 90° Swivel Union, 1/2 npsm(f) x 3/8 npt(m) | 1 |
| 3 | 222066 | Hose and Fitting Kit low-pressure air hose medium-pressure fluid hose | 1 |
| 4 | 224350 | Monark Pump (Manuals 308118 and 307043) | 1 |
| 5 | 248324 | Thermal Relief Kit (Manual 308403) | 1 |



Model 248323, 3:1 President Stubby

| | | | |
|---|--------|---|---|
| 1 | 244844 | Air Regulator (Manual 308167) | 1 |
| 2 | 206221 | Wall Mount Bracket (Manual 306783) | 1 |
| 3 | 222066 | Hose and Fitting Kit low-pressure air hose medium-pressure fluid hose | 1 |
| 4 | 239854 | President Pump SST (Manuals 306982 and 308793) | 1 |
| 5 | 236054 | Suction Kit (Manual 308335) | 1 |
| 6 | 248324 | Thermal Relief Kit (Manual 308403) | 1 |
| 7 | 158586 | Bushing, 1 npt(m) x 3/4 npt(f) | 1 |
| 8 | 160327 | 90° Adapter Union, 3/4 npsm(f) x 3/4 npt(m) | 1 |



Graco Standard Warranty

Graco warrants all equipment manufactured by Graco and bearing its name to be free from defects in material and workmanship on the date of sale to the original purchaser for use. With the exception of any special, extended, or limited warranty published by Graco, Graco will, for a period of twenty-four months from the date of sale, repair or replace any part of the equipment determined by Graco to be defective. This warranty applies only when the equipment is installed, operated and maintained in accordance with Graco's written recommendations.

This warranty does not cover, and Graco shall not be liable for general wear and tear, or any malfunction, damage or wear caused by faulty installation, misapplication, abrasion, corrosion, inadequate or improper maintenance, negligence, accident, tampering, or substitution of non-Graco component parts. Nor shall Graco be liable for malfunction, damage or wear caused by the incompatibility of Graco equipment with structures, accessories, equipment or materials not supplied by Graco, or the improper design, manufacture, installation, operation or maintenance of structures, accessories, equipment or materials not supplied by Graco.

This warranty is conditioned upon the prepaid return of the equipment claimed to be defective to an authorized Graco distributor for verification of the claimed defect. If the claimed defect is verified, Graco will repair or replace free of charge any defective parts. The equipment will be returned to the original purchaser transportation prepaid. If inspection of the equipment does not disclose any defect in material or workmanship, repairs will be made at a reasonable charge, which charges may include the costs of parts, labor, and transportation.

THIS WARRANTY IS EXCLUSIVE, AND IS IN LIEU OF ANY OTHER WARRANTIES, EXPRESS OR IMPLIED, INCLUDING BUT NOT LIMITED TO WARRANTY OF MERCHANTABILITY OR WARRANTY OF FITNESS FOR A PARTICULAR PURPOSE.

Graco's sole obligation and buyer's sole remedy for any breach of warranty shall be as set forth above. The buyer agrees that no other remedy (including, but not limited to, incidental or consequential damages for lost profits, lost sales, injury to person or property, or any other incidental or consequential loss) shall be available. Any action for breach of warranty must be brought within two (2) years of the date of sale Graco makes no warranty, and disclaims all implied warranties of merchantability and fitness for a particular purpose in connection with accessories, equipment, materials or components sold but not manufactured by Graco. These items sold, but not manufactured by Graco (such as electric motors, switches, hose, etc.), are subject to the warranty, if any, of their manufacturer. Graco will provide purchaser with reasonable assistance in making any claim for breach of these warranties.

In no event will Graco be liable for indirect, incidental, special or consequential damages resulting from Graco supplying equipment hereunder, or the furnishing, performance, or use of any products or other goods sold hereto, whether due to a breach of contract, breach of warranty, the negligence of Graco, or otherwise.

FOR GRACO CANADA CUSTOMERS

The parties acknowledge that they have required that the present document, as well as all documents, notices and legal proceedings entered into, given or instituted pursuant hereto or relating directly or indirectly hereto, be drawn up in English. Les parties reconnaissent avoir convenu que la rédaction du présente document sera en Anglais, ainsi que tous documents, avis et procédures judiciaires exécutés, donnés ou intentés à la suite de ou en rapport, directement ou indirectement, avec les procédures concernées.

Graco Phone Numbers

TO PLACE AN ORDER, contact your Graco distributor or call to identify the nearest distributor.

Phone: 612-623-6928 **or Toll Free:** 1-800-533-9655, **Fax:** 612-378-3590

*All written and visual data contained in this document reflects the latest product information available at the time of publication.
Graco reserves the right to make changes at any time without notice.*

Sales Office: Minneapolis

International Offices: Belgium, Korea, Hong Kong, Japan

GRACO INC. P.O. BOX 1441 MINNEAPOLIS, MN 55440-1441

www.graco.com

Printed in USA 310650B
03/2004, Revised 01/2005