

# Instructions – Parts List



STANDARD

## EM5™ Electronic Metered Dispense Valves

309142G

For metered dispense of oils and antifreeze.

*1000 psi (7 MPa, 69 bar) Maximum Working Pressure  
5 gpm (18.9 lpm) Maximum Flow Rate*

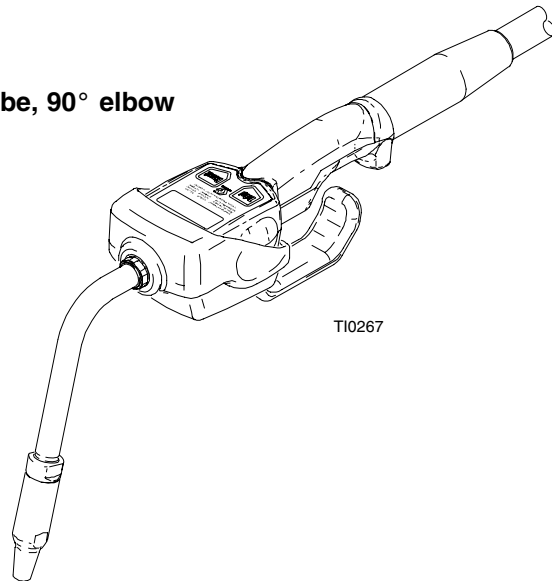
**Model 238461 75° bend 3/8-in. rigid tube**

**Model 238462 3/8-in. coupled flexible hose**

**Model 238463 15° bend 3/8-in. gear lube tube, 90° elbow**

**Patent Nos.**

4,883,199  
D382,500  
6,047,906  
DE3834454C2  
77664  
1025804  
13742



**Important Safety instructions**

Read all warnings and instructions in this manual.  
Save these instructions.

### **⚠ CAUTION**

- This dispense valve is designed to dispense petroleum-based lubricants and antifreeze only. Do not dispense windshield washer solvent with this dispense valve.
- This dispense valve is designed for indoor use only.
- This dispense valve is not designed for in-line installation. Do not install with a shutoff valve on the outlet side of the meter. Such installation could result in damage to the meter housing cover.

PROVEN QUALITY. LEADING TECHNOLOGY.



# Table of Contents

Warnings .....	2
Installation .....	4
Setup .....	8
Calibration .....	10
Operation .....	12
Troubleshooting .....	14
Service .....	16
Parts Drawing .....	18
Parts List .....	19
Technical .....	20
Dimensional Drawing .....	21
Change Summary .....	22
Warranty .....	22
Graco Information .....	22

# Symbols

## Warning Symbol





This symbol alerts you to the possibility of serious injury or death if you do not follow the instructions.

## Caution Symbol



This symbol alerts you to the possibility of damage to or destruction of equipment if you do not follow the instructions.

 <b>WARNING</b>	
	<p><b>FIRE AND EXPLOSION HAZARD</b></p> <p>Improper grounding, poor ventilation, open flames, or sparks can cause a hazardous condition and result in a fire or explosion and serious injury.</p> <ul style="list-style-type: none"><li>• Be sure the entire fluid system is properly grounded. Refer to your pump instruction manual for complete details. See <b>Grounding</b> on page 7.</li><li>• If there is any static sparking or you feel an electric shock while using this equipment, <b>stop dispensing immediately</b>. Do not use the equipment until you identify and correct the problem.</li><li>• Provide fresh air ventilation to avoid the buildup of flammable fumes from solvents or the fluid being dispensed.</li><li>• Keep the dispensing area free of debris, including solvent, rags, and spilled gasoline.</li><li>• Do not smoke while flammable fluids or fumes are in the dispensing area.</li></ul>

# WARNING



INSTRUCTIONS

## EQUIPMENT MISUSE HAZARD

Equipment misuse can cause the equipment to rupture or malfunction and result in serious injury.

- This equipment is for professional use only.
- Read all instruction manuals, tags, and labels before you operate this equipment.
- Use the equipment only for its intended purpose. If you are not sure, call your Graco distributor.
- Do not alter or modify this equipment. Use only genuine Graco parts and accessories.
- Check equipment daily. Repair or replace worn or damaged parts immediately.
- Do not exceed the maximum working pressure of the lowest rated system component. See the **Technical Data** on page 20 for the maximum working pressure of this component.
- Use fluids and solvents that are compatible with the equipment wetted parts. See the **Technical Data** section of all equipment manuals. Read the fluid and solvent manufacturer's warnings.
- Route hoses away from traffic areas, sharp edges, moving parts, and hot surfaces. Do not expose Graco hoses to temperatures above 180° F (82° C) or below -40° F (-40° C).
- Comply with all applicable local, state, and national fire, electrical, and safety regulations.
- Do not point the dispense valve at anyone or at any part of the body.
- Do not put your hand or fingers over the end of the dispense valve.
- Do not stop or deflect leaks with your hand, body, glove, or rag.
- Use only extensions and nozzles that are designed for use with your dispense valve.
- Follow the **Pressure Relief Procedure** on page 5 before you clean, check, or service this equipment.
- Tighten all fluid connections before you operate this equipment.
- Check the hoses, tubes, and couplings daily. Replace worn or damaged parts immediately. Do not repair high pressure couplings; you must replace the entire hose.

# Installation

## Typical Installations

Fig. 1 shows a typical hose reel installation. Fig. 2 shows how these dispense valves can be installed on a console.

**⚠ CAUTION**

Do not use this electronic metered dispense valve on non-Graco consoles. Such use could result in the trigger becoming inadvertently pressed while the dispense valve is stowed.

**⚠ CAUTION**

This dispense valve is not designed for in-line installation. Do not install with a shut-off valve on the outlet side of the meter. Such installation could result in damage to the meter housing cover.

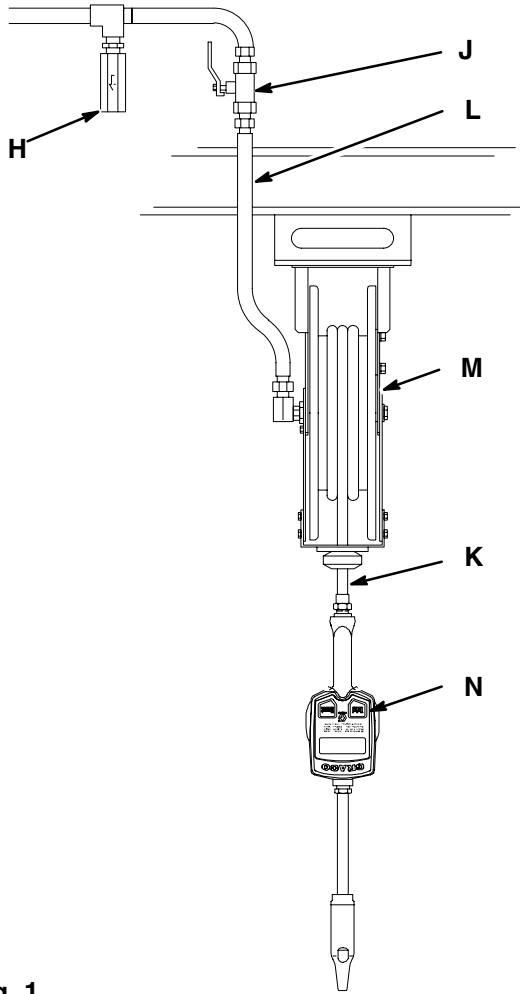


Fig. 1 TI0268

KEY	DESCRIPTION
H	Thermal relief kit (required) Part No. 235998 <i>Install downstream from pump.</i>
J	Fluid shut-off valve
K	Hose
L	Hose reel fluid inlet hose
M	Hose reel
N	Metered dispense valve

## Mounting Bracket

Mounting bracket 196471 is available for resting an EM5 dispense valve on a console. See Fig. 2.

**⚠ CAUTION**

Do not obstruct the trigger of this dispense valve, and do not set the unit down resting on its trigger, or it might not stop dispensing.

**NOTE:** When using the EM5 with the rigid oil extension on a dispense console, the rigid tube (5a) should be oriented with the 75° bend closest to the nozzle, as shown below. This prevents interference when used with a dispense console.

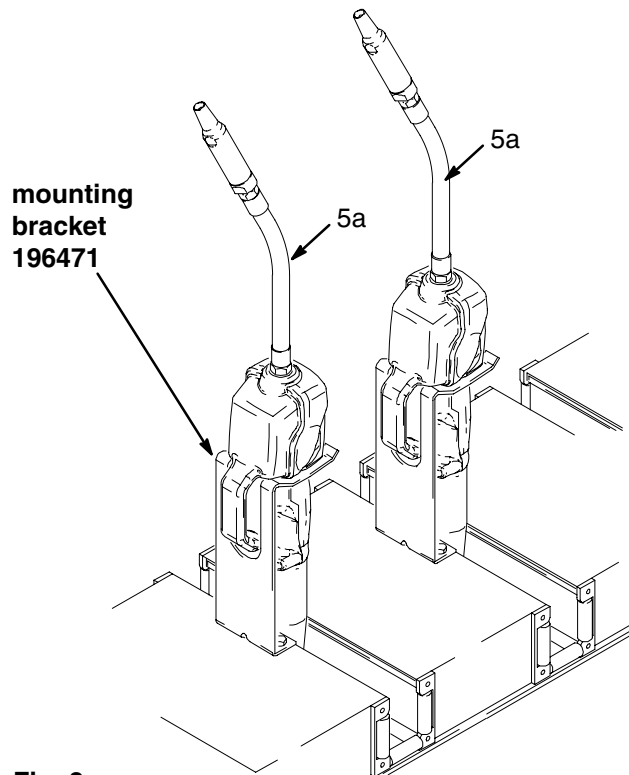


Fig. 2 TI0274

# Installation

## ⚠ WARNING

### PRESSURIZED EQUIPMENT HAZARD

The equipment stays pressurized until pressure is manually relieved. To reduce the risk of serious injury from pressurized fluid, accidental spray from the dispense valve, or splashing fluid, follow the **Pressure Relief Procedure** when you

- Are instructed to relieve pressure
- Check, clean, or service any system equipment
- Install or clean fluid nozzles or filter

### Pressure Relief Procedure

1. Turn off the power supply to the pump.
2. Trigger the dispense valve into a waste container to relieve pressure.
3. Open any bleed-type master air valves and fluid drain valves in the system.
4. Leave the drain valve open until you are ready to pressurize the system.

### Pre-Installation Procedure

1. Install the battery. See **Replacing the Battery** on page 16.
2. **Relieve the pressure.**

## ⚠ WARNING

To reduce the risk of serious injury, whenever you are instructed to relieve pressure, always follow the **Pressure Relief Procedure** above.

3. Close the shut-off valve (item J in Fig. 1).
4. Ground the hose and reel or console. See **Grounding** on page 7.

**NOTE:** Do not use PTFE tape on the pipe joints; it may cause a loss of ground across the pipe joint.

### Installation Procedure

## ⚠ CAUTION

If this is a new installation, or if the fluid in the lines is contaminated, flush the lines before you install the metered valve. Contaminated lines could cause the valve to leak.

1. If this is an existing installation, go to step 7.

*Steps 2 through 6 are the **Flushing Procedure**.*

2. Close the fluid shut-off valve (J) at each dispense position.
3. Make sure the main fluid outlet valve at the pump is closed, the air pressure to the pump motor is adjusted, and the air valve is open. Slowly open main fluid valve.
4. Place the hose end (with no dispense valve connected) into a container for waste oil. Secure the hose in the container so it will not come out during flushing. If you have multiple dispense positions, first flush the dispense position farthest from the pump, and work your way toward the pump.
5. Slowly open the shut-off valve (J) at the dispense position. Flush out a sufficient amount of oil to ensure that the entire system is clean, and close the valve.
6. Repeat step 5 at all other dispense positions.
7. **Relieve the pressure.**

## ⚠ WARNING

To reduce the risk of serious injury, whenever you are instructed to relieve pressure, always follow the **Pressure Relief Procedure** at left.

8. Slide the swivel cover (4) of the EM5 onto the hose, small end first. See Fig. 3.
9. Apply thread sealant to the male threads of the hose fitting, thread the hose fitting into the swivel (3) of the EM5, and tighten firmly. See Fig. 3.

**NOTE:** Make sure you let the sealant cure to the manufacturer's recommendations before you let fluid into the system.

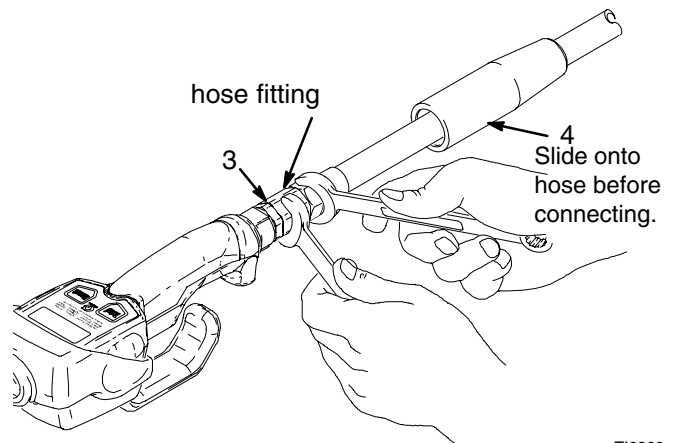


Fig. 3

TI0269

# Installation

## 10. Model 238461

See Fig. 4.

- Thread the sealing nut (5c) onto the extension (5a) with the PTFE side facing out.
- Thread the extension (5a) into the meter outlet at least three full turns, position it for proper alignment, and tighten the sealing nut against the meter outlet.

## Model 238462

See Fig. 4.

- Thread the sealing nut (6c) onto the elbow (6d) with the PTFE side facing out.
- Thread the elbow (6d) into the meter outlet at least three full turns, position it for proper alignment, and tighten the sealing nut (6c) against the meter outlet.
- Thread the flexible hose (6a) into the elbow, and tighten it.

**NOTE:** The flexible hose (6a) can also be threaded directly into the meter outlet without the elbow or sealing nut.

## Model 238463

This nozzle assembly can be configured two ways. See Fig. 4.

- Thread a sealing nut (7c) onto the tube (7a) with the PTFE side facing out.
- Thread the tube (7a) into the meter outlet at least three full turns, position it for proper alignment, and tighten the sealing nut (7c) against the meter outlet.
- Thread the other sealing nut (7c) onto the other end of the tube (7a) with the PTFE side facing out.
- Thread the elbow (7d) onto the end of the tube (7a) at least full turns, position it for proper alignment, and tighten the sealing nut (7c) against the elbow.

**OR**

- Thread a sealing nut (7c) onto the elbow (7d) with the PTFE side facing out.
- Thread the elbow (7d) into the meter outlet at least three full turns, position it for proper alignment, and tighten the sealing nut (7c) against the meter outlet.
- Thread the other sealing nut (7c) onto the tube (7a) with the PTFE side facing out.
- Thread the tube (7a) into the elbow (7d) at least three full turns, position it for proper alignment, and tighten the sealing nut (7c) against the elbow (7d).

Either end of this rigid tube can be threaded into the meter outlet. This is the best orientation for use with a dispense console.

This flexible extension can also be threaded directly into the meter outlet without the street elbow (6d) or sealing nut (6c).

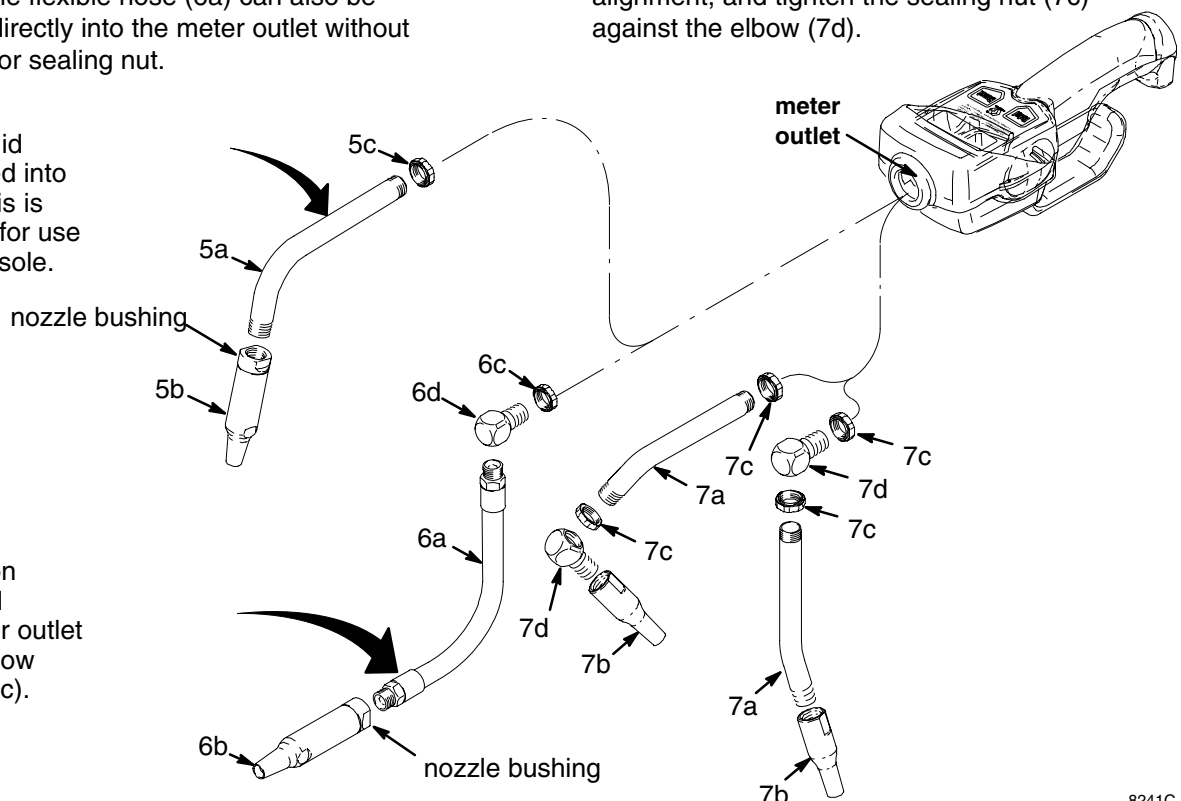


Fig. 4

8241C

# Installation

11. Thread the new nozzle (5b, 6b, or 7b) onto the extension, and, with an open-end adjustable wrench, tighten it firmly. See Fig. 4.

**NOTE: On Models with automatic nozzle 239829 (5b or 6b),** tighten the nozzle with the wrench on the flats of the nozzle bushing. **Do not disassemble the nozzle bushing from the nozzle.** Disassembly will affect the performance of the nozzle.

## CAUTION

Do not use Graco's old nozzle (Part No. 203655) or any other manual shut-off nozzle on the EM5 extension. You must use the nozzle that is provided with the EM5, or the meter could be damaged. Do not use any sealant material.

12. Open all dispense position shut-off valves, and start the pump to pressurize the system. See the **Operation** section for proper operation of the EM5.
13. To ensure dispensing accuracy, purge all air from the fluid lines and dispense valve before you use it. Set the system flow to the desired flow rate, which is typically 1.5 gpm. Do not exceed a 5-gpm flow rate.

## Grounding

### WARNING



#### FIRE AND EXPLOSION HAZARD

The movement of fluids through the dispensing system generates static electricity. The static electricity can cause volatile fumes to ignite, resulting in explosion and fire. The dispensing system must grounded.

Proper grounding is an essential part of maintaining a safe system.

To reduce the risk of static sparking, ground all system components per local and national electrical codes. Refer to the user manuals for the pump and other system components to ground the following:

- *Pump:* Follow manufacturer's recommendations.
- *Air and Fluid hoses:* Use only grounded hoses.
- *Air compressor:* Follow the manufacturer's recommendations.
- *Fluid supply container:* Follow the local code.

*To maintain grounding continuity when flushing or relieving pressure,* always hold a metal part of the valve firmly to the side of a grounded metal pail, then trigger the valve.

# Setup

## Terms

The following terms are shown on the display and/or used often in this instruction manual.

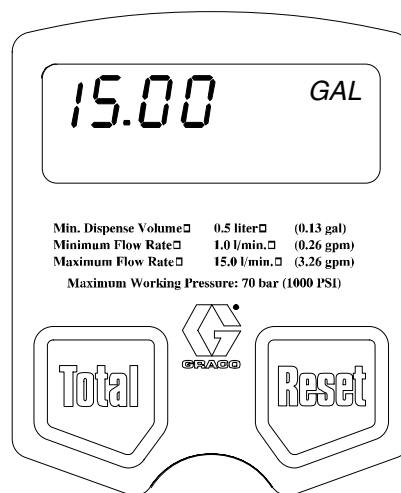
- **R-TOTAL: Resettable Total**  
Displayed to show the cumulative amount that the dispense valve has dispensed. It can be reset to zero.
- **TOTAL: Non-Resettable Total**  
Displayed to show the cumulative amount that the dispense valve has dispensed for the history of the unit. It cannot be reset.
- **Standard Dispense Mode**  
The dispense mode in which the display always counts up from zero or from where it recently stopped in Standard dispense mode. There are no warning beeps for predetermined dispense amounts.
- **Asleep / Awake**  
*Asleep* is a battery-saving mode in which the display goes blank after 45 seconds of inactivity. The display comes *awake* from sleep mode when you press any button on the keypad or when you squeeze the trigger to dispense fluid.

## Keypad Buttons

The buttons on the keypad and their functions are as follows (see the figure below):

- **TOTAL**  
Used to see the resettable total, non-resettable total, and calibration factor.
- **RESET \***  
Used to reset the displayed amount to zero and to enter the Standard dispense mode.
- \* The Reset and Total buttons are used together (pressed simultaneously) to access the setup menus, in which you select dispensing options.

**NOTE:** All buttons are disabled while fluid is being dispensed.



T10272



# Setup

## Selecting Dispensing Options

This is the procedure for setting or changing the resettable total and the units of measurement.

1. If the display is asleep, wake it up by pressing any button on the keypad.
2. To enter the dispensing options menus, **press and hold the Reset and Total buttons simultaneously** for five (5) seconds.

The first menu is the Resettable Total menu, which is described in the first subsection below. You can move through the menus by pressing the Reset button. The value that is displayed when you leave each menu is the value that gets stored.

### Resettable Total

*In this menu, you can reset the resettable total to zero or leave it unchanged. The resettable total accumulates until the next time it is manually reset.*

1. If you have not already entered the dispensing options menus, do steps 1 and 2 in **Selecting Dispensing Options** above.
2. With **R-TOTAL** blinking and the current resettable total displayed, as shown in Fig. 5, do **ONE** of the following two options:

- Press the Total button.

*The resettable total is set to zero, and **00000 GAL** or **00000 LITERS** is displayed.*

*You can press the Total button again to toggle between zero and the previously displayed resettable total. To lock in the displayed value and advance to the Units of Measurement menu, press the Reset button.*

**OR**

- Press the Reset button.

*The currently displayed value is stored, and the display advances to the Units of Measurement menu.*

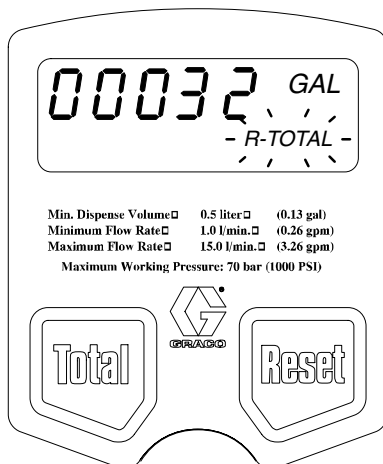


Fig. 5

TI0272

### Units of Measurement

*In this menu, you can set the units of measurement to quarts, gallons, pints, or liters.*

1. If you have not already entered the dispensing options menus, do steps 1 and 2 in **Selecting Dispensing Options** above.
2. Press the Reset button. **QTS, GAL, LITERS**, or **PTS** will blink to indicate that you are in the Units-of Measurement menu.
3. With **QTS, GAL, LITERS**, or **PTS** blinking, as shown in Fig. 6, do **ONE** of the following two options:

- Press the Total button.

*Each time you press the Total button, the display scrolls to the next unit of measurement. To lock in the new unit of measurement, press the Reset button, and the display advances to the dispense mode.*

**OR**

- Press the Reset button.

*The displayed unit of measurement is retained, and the display advances to the dispense mode.*

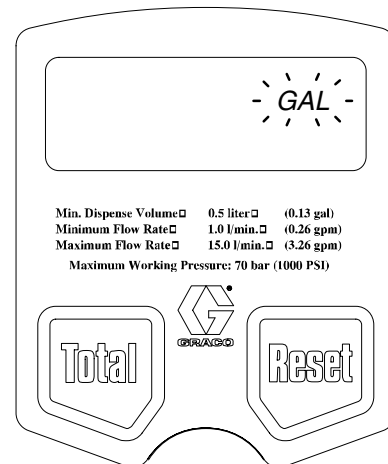


Fig. 6

TI0272

# Calibration

**NOTE:** This unit has been calibrated at the factory to dispense lubricating oils; it should not require additional calibration during installation. If this unit will be used to dispense antifreeze, and accuracy must be greater than plus or minus 2 percent, it is recommended that you use a calibration factor of 368 quarts or 389 liters.

## CAUTION

You must ground yourself to a true earth ground while calibrating the meter. You must keep yourself constantly grounded when you touch any electronic components inside the cover of the dispense valve. To order a grounding wrist strap, order Part No. 112190.

This is the procedure for calibrating the meter.

1. Remove the six screws (21) (see the **Parts Drawing** on page 18) that hold the two halves of the cover together, open the unit, and remove the fluid section to gain access to the Calibration button.

2. Press the RESET button.

**NOTE:** You have four minutes to complete the calibration procedure.

3. Press the calibration button inside the unit, shown in Fig. 7. The “CAL” indication should show on the display (see Fig. 8).

## CAUTION

Note location of battery wire to prevent damage during reassembly

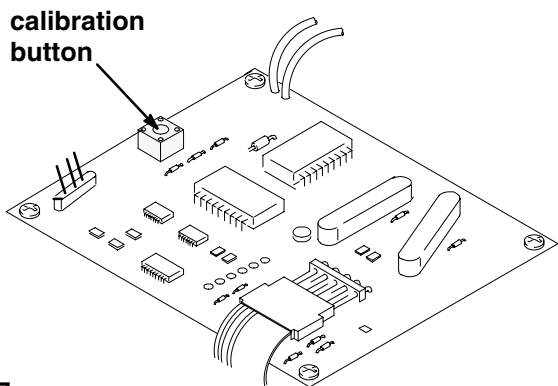


Fig. 7

4. Reassemble the two halves of cover using screws (21).

**NOTE:** Number displayed on unit after assembly may be 001 or greater.

5. Press the Total button. Output should be 000 as shown in Fig. 8.

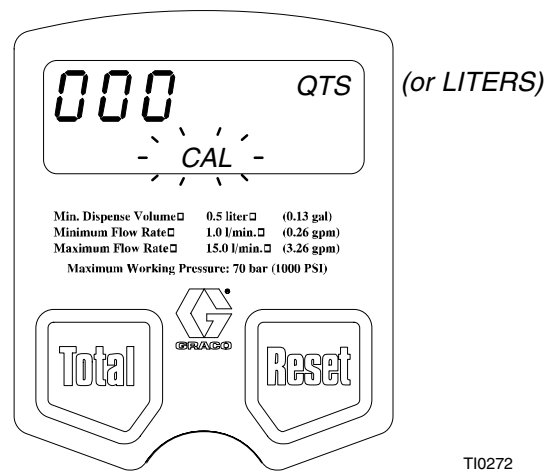


Fig. 8

T10272

6. If the unit of measure is liters, dispense exactly one liter of fluid into a calibrated one liter container. For proper calibration, you must dispense the exact amount per the markings on the container.

7. If the unit of measure is gallons, pints, or quarts, dispense exactly one quart of fluid into a calibrated one quart container. For proper calibration, you must dispense the exact amount per the markings on the container.

**NOTE:** If an error has been made, pressing the TOTAL button will zero the display. This will allow you to perform the calibration dispense again. Pressing the RESET button with display at zero will return the unit to its previous calibration factor.

# Calibration

**NOTE:** To prevent gross miscalculation, the meter rejects numbers outside the following calibration ranges, and displays the previously stored calibration factor. Pressing TOTAL will zero the display and allow you to perform the calibration dispense again.

After dispensing, the displayed number is the new calibration factor. The new calibration factor must be within 20 percent of the factory default value [in the range of 294–442 quarts (310–467 liters)], or it will not be accepted.

The following table lists approximate calibration factors for different fluids. Your calibration number may vary slightly due to temperature or flow rate.

Fluid	Calibration Number	
	Quarts	Liters
oil (10W–30)	368	389
gear lube	368	389
automatic transmission fluid	368	389
antifreeze	347	367

*Calibration factors at 70° F (21° C) at 2.0 gpm (7.6 lpm).*

8. Press the Reset button to store the new calibration factor and return meter to the dispense mode.

# Operation

## Checking Segments in the Display

When you press the Reset button when the display is awake, the Segment Check is displayed briefly. This display allows you to check for burned out segments in the display. Press the Reset button repeatedly to get a good look at each segment in the display. The Segment Check should show all of the segments shown in Fig. 9.

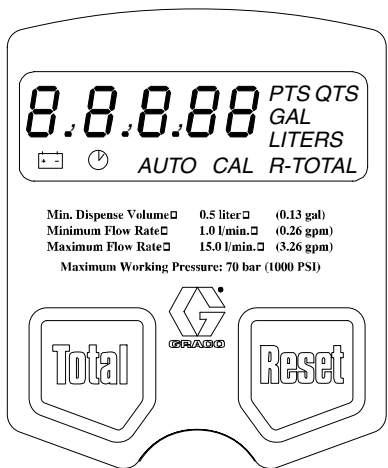


Fig. 9

TI0272

## Dispensing Fluid in Standard Mode

**NOTE:** All buttons are disabled while fluid is being dispensed.

1. Press the Reset button. If the display was in sleep mode, the amount of the last dispense appears on the display.
2. Press the Reset button again.

*0.00 is shown on the display.*

3. Squeeze the trigger.

*Fluid begins to flow, and the amount shown on the display counts up from zero.*

4. Release the trigger when you have dispensed the desired amount of fluid.

*Fluid flow stops, and the amount you have dispensed is shown on the display.*

**NOTE:** When you release the trigger, the nozzle should prevent fluid from running out of the extension. If fluid does run out, see **Replacing the Nozzle** on page 17.

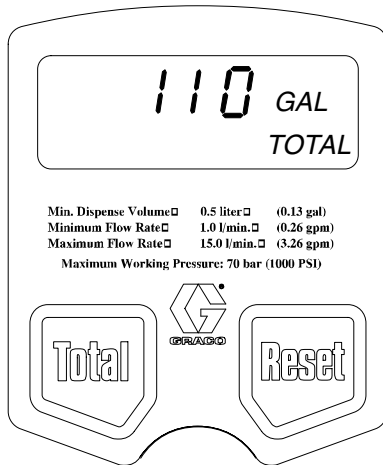
# Operation

## Viewing Totals

This is the procedure for viewing the non-resettable and resettable totals in gallons or liters for viewing the calibration factor.

1. Press the Total button.

*The non-resettable total amount is shown on the display in the current units, as shown in Fig. 10.*

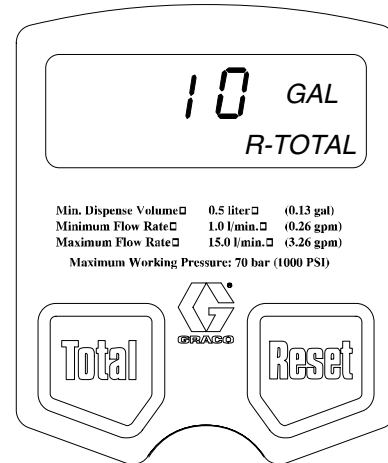


**Fig. 10**

T10272

2. Press the Total button again.

*The resettable total amount is shown on the display in the current units, as shown below.*



**Fig. 11**

T10272

3. Press the Reset button.

*The unit returns to Standard dispense mode, and the Standard mode display is shown.*

# Troubleshooting

**Relieve the pressure** before you check or repair the meter. Be sure all other valves and controls and the pump are operating properly.

## **WARNING**

To reduce the risk of serious injury, whenever you are instructed to relieve pressure always follow the **Pressure Relief Procedure** on page 5.

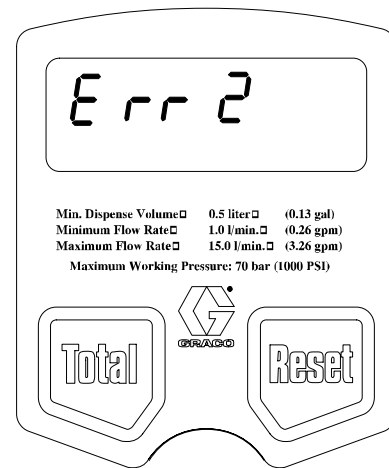
Problem	Cause	Solution
Display does not activate or is showing unintelligible characters.	Battery is defective or dead.  Electronic control is malfunctioning.	Replace the battery. See <b>Replacing the Battery</b> on page 16.  Replace the electronic control (clamshell).
Battery icon appears.	Battery is low.	Replace the battery. See <b>Replacing the Battery</b> on page 16. If the problem remains, contact your Graco distributor for repair or replacement.
Lowbatt flashes	Meter is inoperative	Replace the battery. See <b>Replacing the Battery</b> on page 16. If the problem remains, contact your Graco distributor for repair or replacement.
Slow or no fluid flow	Filter is clogged.  Pump pressure is low.  Shut-off valve is not fully open.  Foreign material is jammed in the metering element.	Clean or replace the filter. See <b>Replacing the Filter</b> on page 16.  Turn up the pump pressure.  Open the shut-off valve.  If the problem remains, contact your Graco distributor for repair or replacement.
Displayed dispensed amount is not accurate.	Unit needs to be calibrated for the fluid that is being dispensed.	Calibrate the meter for the fluid that is being dispensed. See <b>Calibration</b> on page 10.
Oil leaks from swivel, swivel boot, or plastic housing.	Swivel (3) connection to meter is loose.  Hose connection to swivel (3) is loose.	Torque the fitting to 20 to 25 ft-lb (27 to 34 N.m).  Apply sealant to threads of hose, and tighten the connection. See step 9 in <b>Installation Procedure</b> on page 5.
Oil leaks from where fluid outlet tube connects to housing.	Outlet tube or sealing nut or street elbow is loose. See <b>Parts Drawing</b> on page 18.	Check outlet tube and/or sealing nut for tightness and proper assembly.  Also, make sure the PTFE seal on the sealing nut is facing the valve housing.

# Troubleshooting

<p>Automatic nozzle leaks.</p> <p><b>NOTE:</b> It is important to distinguish between the two causes of this problem. A new nozzle will not correct a fluid leak caused by a faulty valve.</p>	<p>Automatic nozzle (5b, 6b, or 7b) has a damaged seal*.</p> <p>Valve (16) has damaged or obstructed seals.</p> <p>* Some fluid weepage is possible in applications where thermal expansion of fluid is possible.</p>	<p>Replace the nozzle. See <b>Replacing the Automatic Nozzle</b> on page 17.</p> <p>Replace or clean valve stem and o-rings. See <b>Servicing the Valve</b> on page 17.</p>
<p>Oil leaks from where fluid outlet tube connects to housing.</p>	<p>Outlet tube (5a, 6a, or 7a) or sealing nut (5c, 6c, or 7c) or street elbow (6d or 7d) is loose or damaged.</p> <p>Sealing nut (5c, 6c, or 7c) is oriented the wrong way.</p>	<p>Check outlet tube, sealing nut, and street elbow for looseness or damage, and tighten or replace.</p> <p>Make sure the PTFE seal on the sealing nut is facing the surface against which it is tightened.</p>

## Error Code

If an error code is shown on the display, as shown at right, you can press the Reset button to clear the error code and see the dispensed amount. Even in an error condition, the unit keeps track of the amount dispensed.



T10272

<p><b>Err 1</b></p>	<p>Flow rate is higher than 5 gpm.</p> <p><b>OR</b></p> <p>Air was pumped through the line.</p>	<p>Adjust the flow rate so it is not higher than 5 gpm.</p> <p>Purge air from the line.</p>
<p><b>Err 2</b></p>	<p>Switch Error: Error occurred with pick-up in internal gear.</p> <p><b>OR</b></p> <p>Unit was dropped, or unit encountered excessive vibration during shipping.</p>	<p>Ensure that your flow rate is not higher than 5 gpm. For further assistance, contact your Graco distributor.</p> <p>Press the Reset button at start-up.</p>

# Service

## Replacing the Battery

### ⚠ CAUTION

Do not change the battery while anything is shown on the display. You must wait until the unit falls asleep and the display is blank before you remove the battery. If you remove the battery while something is shown on the display, that information will be lost from memory.

### ⚠ WARNING



**FIRE AND EXPLOSION HAZARD**  
Only replace the battery in a non-hazardous location, away from flammable fluids or fumes.

Battery required to meet safety approvals:  
Duracell® alkaline – MN1604, PC1604  
or  
Eveready® alkaline – EN22, 522

To change the battery (8), remove the battery cover (2), and replace the old battery with a new battery.

## Security Seal Option

The security seal is used to prevent access to the inside of the meter and tampering with the meter settings. Sealing provisions accommodate typical Weights and Measures official seal wires and security requirements. See Fig. 12.

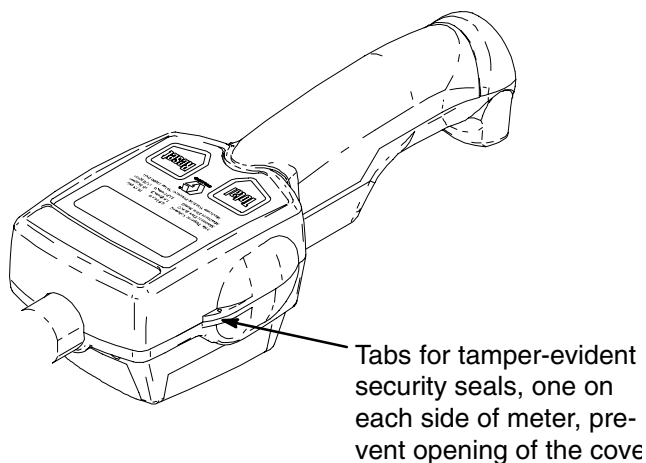


Fig. 12

## Replacing the Filter

The filter (25) is replaceable. To replace the filter, do the following:

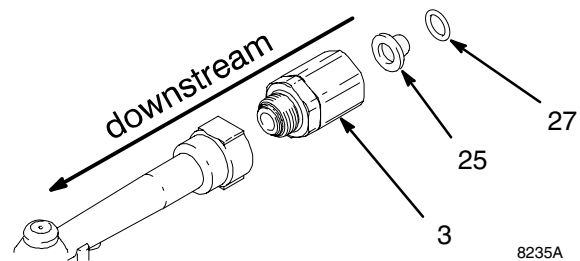
1. Relieve the pressure.

### ⚠ WARNING

To reduce the risk of serious injury, whenever you are instructed to relieve pressure, always follow the **Pressure Relief Procedure** on page 5.

2. Unscrew the hose from the swivel (3).
3. Remove the o-ring (27) and the filter (25) from inside of the swivel (3) with an o-ring pick.
4. Push the new filter (25) into the swivel (3), and make sure it is properly seated.

**NOTE:** Orient the new filter (25) so the concave side of the screen faces downstream, as shown below.



5. Replace the o-ring (27).
6. Thread the hose back into the swivel (3).



# Service

## Servicing the Valve

Valve Repair Kit 240453 is available and can be ordered separately. See the **Parts Drawing** on page 18. The parts with asterisks next to their reference numbers are available in the Valve Repair Kit.

When repairing the valve with new parts from the Valve Repair Kit, use **all** of the new parts. To replace the parts, do the following:

1. **Relieve the pressure.**

### **! WARNING**

To reduce the risk of serious injury, whenever you are instructed to relieve pressure, always follow the **Pressure Relief Procedure** on page 5.

2. Remove the six screws (21) that hold the cover (1) together, and open the cover.
3. Remove the trigger (15) from the valve stem assembly (16b\*).
4. Unscrew the valve seat (16e\*), remove the valve seat and valve stem assembly (16b\*) from the meter housing, and pull the valve stem assembly out of the valve seat.
5. Discard the old valve stem assembly (16b) and the spring (16a).
6. Apply lubricant to all new parts. Place the new spring (16a\*) in the new valve stem assembly (16b\*), push the new valve stem assembly back into the valve seat (16e\*), place the valve stem assembly, seat, and spring into the meter housing, thread the valve seat into the meter housing, and torque to 140 to 150 in-lb (16 to 17 N.m).

**NOTE:** Take care that the spring (16a\*) does not get pinched when you install the valve stem assembly (16) into the meter housing.

7. Place the trigger (15) on the valve stem assembly (16b\*), put the cover (1) together, thread in the six screws that hold the cover together, and torque to 7 to 10 in-lb (0.8 to 1.1 N.m).

## Replacing the Nozzle

If the nozzle (5b, 6b, or 7b) begins to leak, replace it as follows:

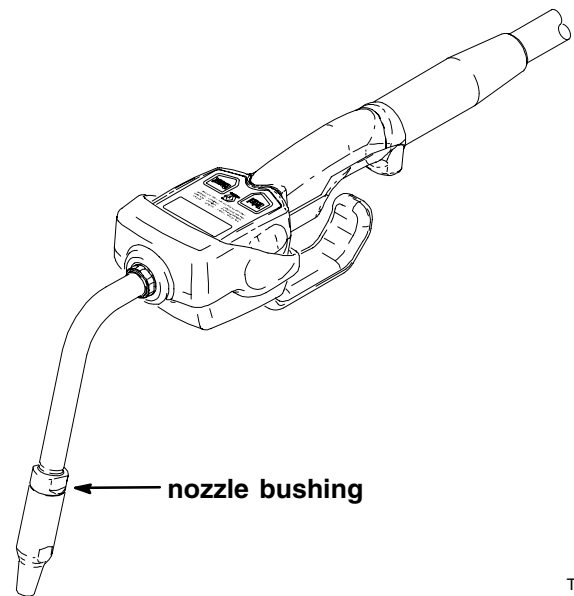
1. **Relieve the pressure.**

### **! WARNING**

To reduce the risk of serious injury, whenever you are instructed to relieve pressure, always follow the **Pressure Relief Procedure** on page 5.

2. Remove the old nozzle from the extension with an open-end adjustable wrench on the flats of the nozzle or nozzle bushing.

**NOTE: On Models with automatic nozzle 239829 (5b or 6b),** remove and tighten the nozzle with the wrench on the flats of the nozzle bushing. **Do not disassemble the nozzle bushing from the nozzle.** Disassembly will affect the performance of the nozzle. See below.



T10267

3. Thread the new nozzle (5b, 6b, or 7b) onto the extension, and, with an open-end adjustable wrench on the flats of the nozzle or nozzle bushing, tighten it firmly.

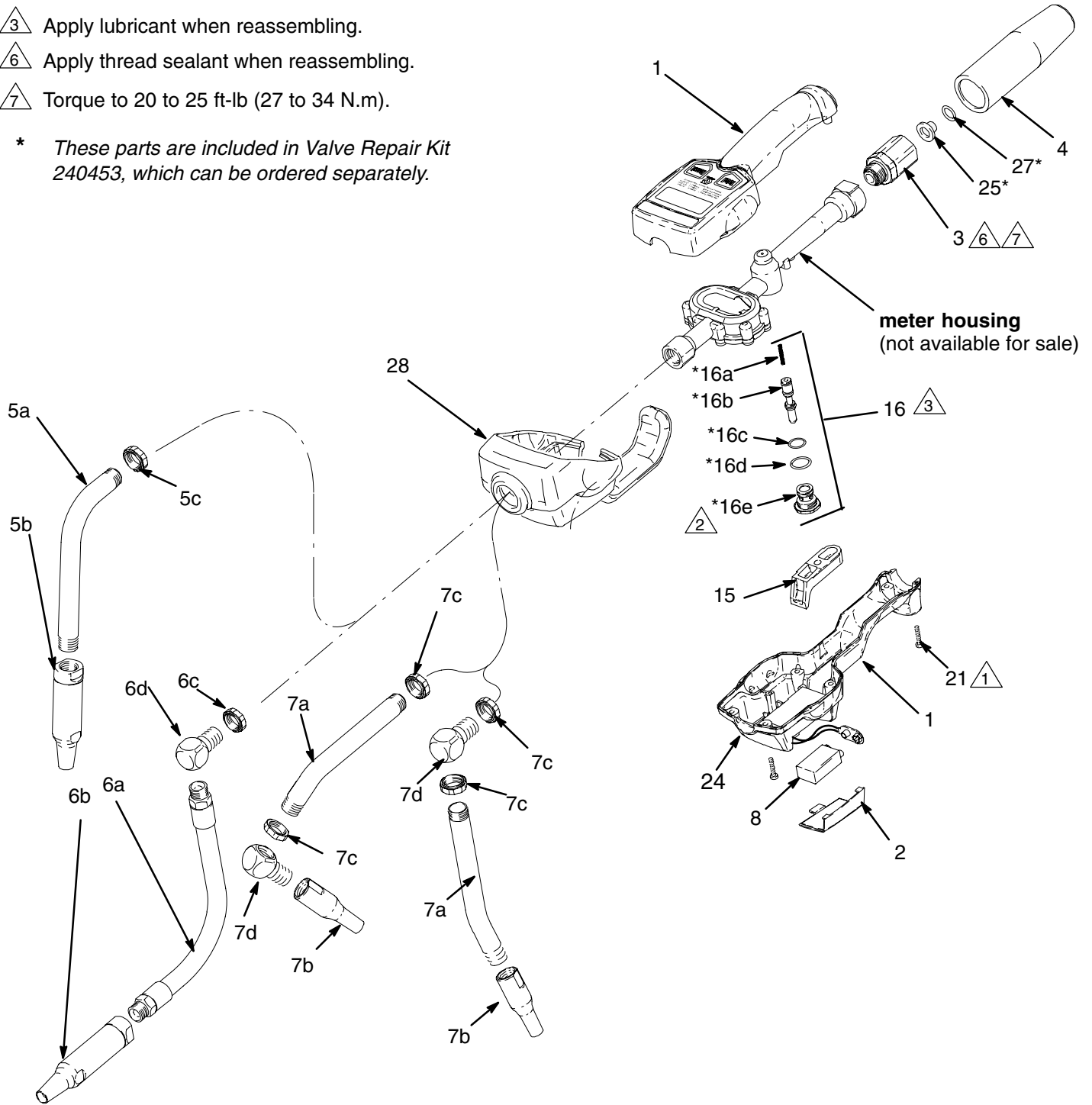
### **! CAUTION**

Do not use Graco's old nozzle (Part No. 203655) or any other manual shut-off nozzle on the EM5 extension. You must use the nozzle that is provided with the EM5, or the meter could be damaged. Do not use any sealant material.

# Parts Drawing

- ① Torque to 7 to 10 in-lb (0.79 to 1.13 N.m).
- ② Torque to 140 to 150 in-lb (15.8 to 16.9 N.m).
- ③ Apply lubricant when reassembling.
- ⑥ Apply thread sealant when reassembling.
- ⑦ Torque to 20 to 25 ft-lb (27 to 34 N.m).

\* These parts are included in Valve Repair Kit 240453, which can be ordered separately.



TI0271

# Parts List

Ref. No.	Part No.	Description	Qty.	Ref. No.	Part No.	Description	Qty.
1	238555	COVER, electronics (does not include 6 screws (item 21/PN 113412) which may be ordered separately)	1	7	238887	NOZZLE ASSEMBLY <i>For Model 238463</i> <i>(includes 7a to 7d)</i>	
2	191350	COVER, battery (included with 238555)	1	7a	191038	.TUBE, rigid, 15° bend; 3/8 in.	1
3	240416	SWIVEL, straight	1	7b	238371	.NOZZLE, gear lube	1
4	191286	SWIVEL COVER, black		7c	113419	.NUT, seal; 3/8 in.–18 NPT	2
	191287	SWIVEL COVER, red		7d	155699	.ELBOW, street	1
	191288	SWIVEL COVER, blue		8	113716	BATTERY; standard 9V, alkaline	1
	191289	SWIVEL COVER, green		15	191046	TRIGGER	1
	191290	SWIVEL COVER, yellow	1	16	240453	KIT, valve repair <i>(includes 16a to 16e, 25, and 27)</i>	
5	239949	NOZZLE ASSEMBLY <i>For Model 238461</i> <i>(includes 5a to 5c)</i>		16a*		SPRING, compression	1
5a	191036	.TUBE, rigid; 75° bend	1	16b*		VALVE STEM ASSEMBLY	1
5b	239829	.NOZZLE, automatic	1	16c*		O-RING, packing	1
5c	113419	.NUT, seal; 3/8 in.–18 NPT	1	16d*		O-RING, packing	1
6	239951	NOZZLE ASSEMBLY <i>For Model 238462</i> <i>(includes 6a to 6d)</i>		16e*		SEAT, valve	1
6a	238370	.HOSE, flexible; 3/8 in. coupled	1	21	113412	SCREW, pan-head; 6–19x3/4	6
6b	239829	.NOZZLE, automatic	1	24	196829	LABEL	1
6c	113419	.NUT, seal; 3/8 in.–18 NPT	1	25*	114017	FILTER	1
6d	155699	.ELBOW, street	1	27*	109018	O-RING	1
				28	243758	GUARD, impact	1

\* *These parts are included in Valve Repair Kit 240453, which can be ordered separately.*

# Technical Data

Flow range*	0.26 to 5 gpm (1 to 18.9 lpm)
Operating pressure range	
Gear lube units	32 to 1000 psi (0.2 to 7 MPa, 2.2 to 69 bar)
Motor Oil units	45 to 1000 psi (0.29 to 7 MPa, 2.9 to 69 bar)
Weight	2.5 lb (1.14 kg)
Units of measurement	factory-set in quarts Maximum totalizer amount=99,999 units Maximum recorded dispensed volume=999.99 units Maximum predetermined volume=99.99 units
Inlet	1/2 npt
Outlet	3/8 npt
Operating temperature range	32° F to 120° F (0° C to 49° C)
Storage temperature range	-30° F to 120° F (-34° C to 49° C)
Battery**	standard 9 volt alkaline
Expected battery life in typical shop environment	1 year
Wetted parts	zinc, stainless steel #304, LCP, carbon steel, polyurethane, nitrile rubber
Fluid compatibility	lubricating oils, antifreeze mixtures
Meter valve assembly pressure loss	
At 1.5 gpm (5.7 lpm) with 30-weight oil at 70° F (21° C)	17 psi (0.12 MPa, 1.2 bar)
Accuracy <sup>†</sup>	+/- 0.5 percent
Repeatability <sup>‡</sup>	+/- 0.15 percent
Default settings for calibration factor	
10W 30 oil	368
antifreeze	390

\* Tested in No. 10 motor oil. Flow rates vary with fluid pressure and viscosity.

\*\*Battery required to meet safety approvals: Duracell® MN 1604, PC1604 or Eveready® EN22, 522

<sup>†</sup> At 2.5 gpm (9.5 lpm), at 70° F (21° C), with 10-weight oil, and 1 gallon dispensed. May require calibration; out-of-box accuracy is +/- 1.25 percent.

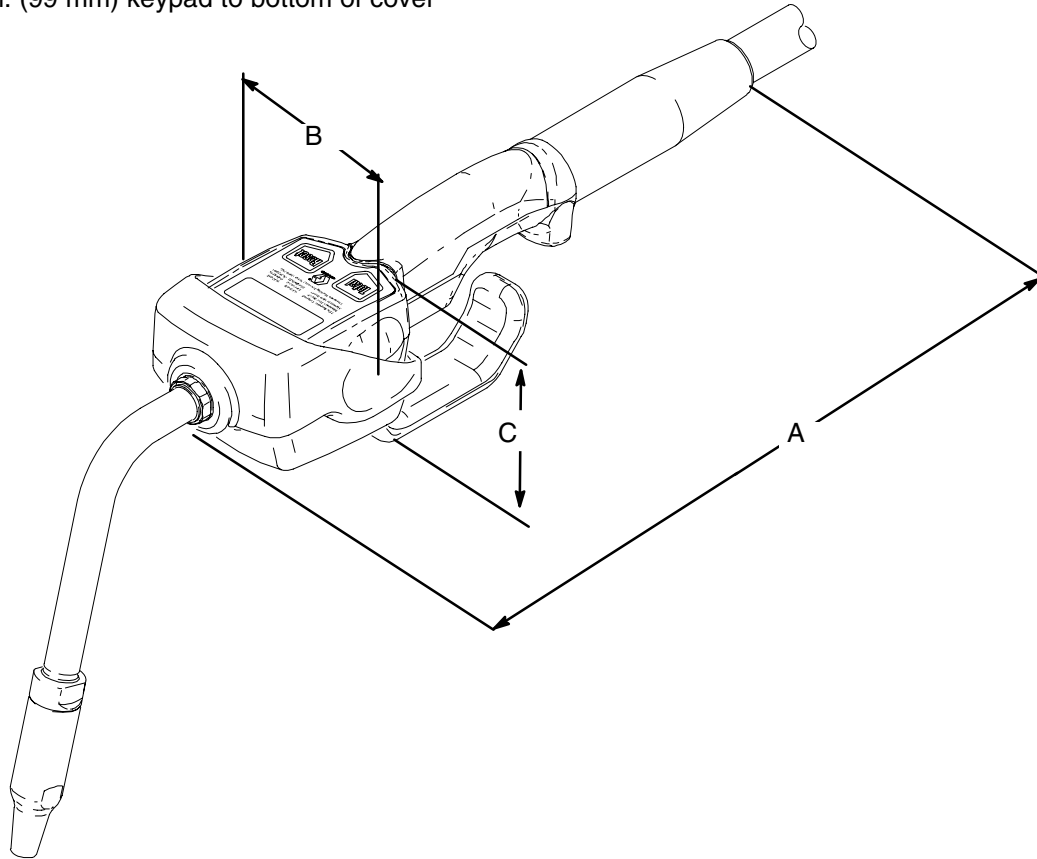
<sup>‡</sup> At 2.5 gpm (9.5 lpm), at 70° F (21° C), with 10-weight oil, and 1 gallon dispensed.

*Duracell® is a registered trademark of Duracell Inc.*

*Eveready® is a registered trademark of the Eveready Battery Co., Inc.*

# Dimensional Drawing

- A 14.0 in. (356 mm) outlet to end of swivel cover
- B 3.25 in. (83 mm) widest cross section
- C 3.9 in. (99 mm) keypad to bottom of cover



T10267

# Graco Electronic Dispense Valve Warranty

Graco warrants all equipment manufactured by it and bearing its name to be free from defects in material and workmanship on the date of sale to the original purchaser for use. As purchaser's sole remedy for breach of this warranty, Graco will, for a period of two (2) years from the date of sale, repair or replace any part of the equipment proven defective, including defects in the electronic meter control, which will be repaired or replaced for two (2) years from the date of sale. This warranty applies only when the equipment is installed, operated and maintained in accordance with Graco's written recommendations.

This warranty does not cover, and Graco shall not be liable for, any malfunction, damage or wear caused by faulty installation, misapplication, abrasion, corrosion, inadequate or improper maintenance, negligence, accident, tampering, or substitution of non-Graco component parts. Nor shall Graco be liable for malfunction, damage or wear caused by the incompatibility with Graco equipment of structures, accessories, equipment or materials not supplied by Graco, or the improper design, manufacture, installation, operation or maintenance of structures, accessories, equipment or materials not supplied by Graco.

This warranty is conditioned upon the prepaid return of the equipment claimed to be defective to an authorized Graco distributor for verification of the claim. If the claimed defect is verified, Graco will repair or replace free of charge any defective parts. The equipment will be returned to the original purchaser transportation prepaid. If inspection of the equipment does not disclose any defect in material or workmanship, repairs will be made at a reasonable charge, which charges may include the costs of parts, labor and transportation.

Disclaimers and Limitations. The terms of this warranty constitute purchaser's sole and exclusive remedy and are in lieu of any other warranties (express or implied), **including warranty of merchantability or warranty of fitness for a particular purpose**, and of any non-contractual liabilities, including product liabilities, based on negligence or strict liability. Every form of liability for direct, special or consequential damages or loss is expressly excluded and denied. In no case shall Graco's liability exceed the amount of the purchase price. Any action for breach of warranty must be brought within three (3) years of the date of sale.

Equipment not covered by Graco Warranty. Graco makes **no warranty, and disclaims all implied warranties of merchantability and fitness for a particular purpose**, with respect to accessories, equipment, materials, or components sold but not manufactured by Graco. These items sold, but not manufactured by Graco (such as electric motor, switches, hose, etc.) are subject to the warranty, if any, of their manufacturer. Graco will provide purchaser with reasonable assistance in making any claim for breach of these warranties.

## **FOR GRACO CANADA CUSTOMERS**

The parties acknowledge that they have required that the present document, as well as all documents, notices and legal proceedings entered into, given or instituted pursuant hereto or relating directly or indirectly hereto, be drawn up in English. Les parties reconnaissent avoir convenu que la rédaction du présente document sera en Anglais, ainsi que tous documents, avis et procédures judiciaires exécutés, donnés ou intentés à la suite de ou en rapport, directement ou indirectement, avec les procédures concernées.

## Graco Information

**TO PLACE AN ORDER**, contact your Graco distributor, or call one of the following numbers to identify the distributor closest to you:

**1-800-533-9655 Toll Free**

**612-623-6928**

**612-378-3590 Fax**

*All written and visual data contained in this document reflects the latest product information available at the time of publication. Graco reserves the right to make changes at any time without notice.*

MM 309142

**Graco Headquarters:** Minneapolis

**International Offices:** Belgium, Korea, China, Japan

**GRACO INC. P.O. BOX 1441 MINNEAPOLIS, MN 55440-1441**

309142 08/2000, Revised 04/2006