

CURTIS

MASTERLINE CR-25 SERIES AIR COMPRESSORS

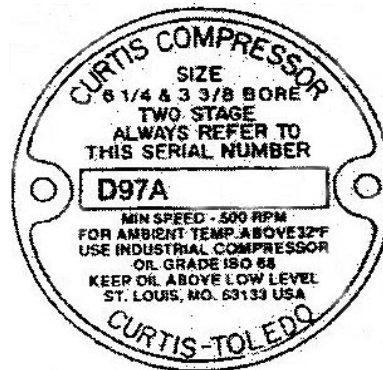
MODEL
D97A
TWO STAGE
SIZE: 6-1/4" & 3-3/8" X 3-3/4"
LOT NO. D97A45 & LATER

HOW TO ORDER PARTS

Give name and part number as shown in parts list and serial number. Serial number is on nameplate attached to crankcase of compressor. Refer to Master Parts Price List for prices.

IMPORTANT

Make a permanent record of the Model and Serial Numbers of your machine here. You'll save time and expense by including this reference identification on replacement parts orders.



CURTIS-TOLEDO, INC.

1905 KIENLEN AVENUE, ST. LOUIS, MISSOURI 63133

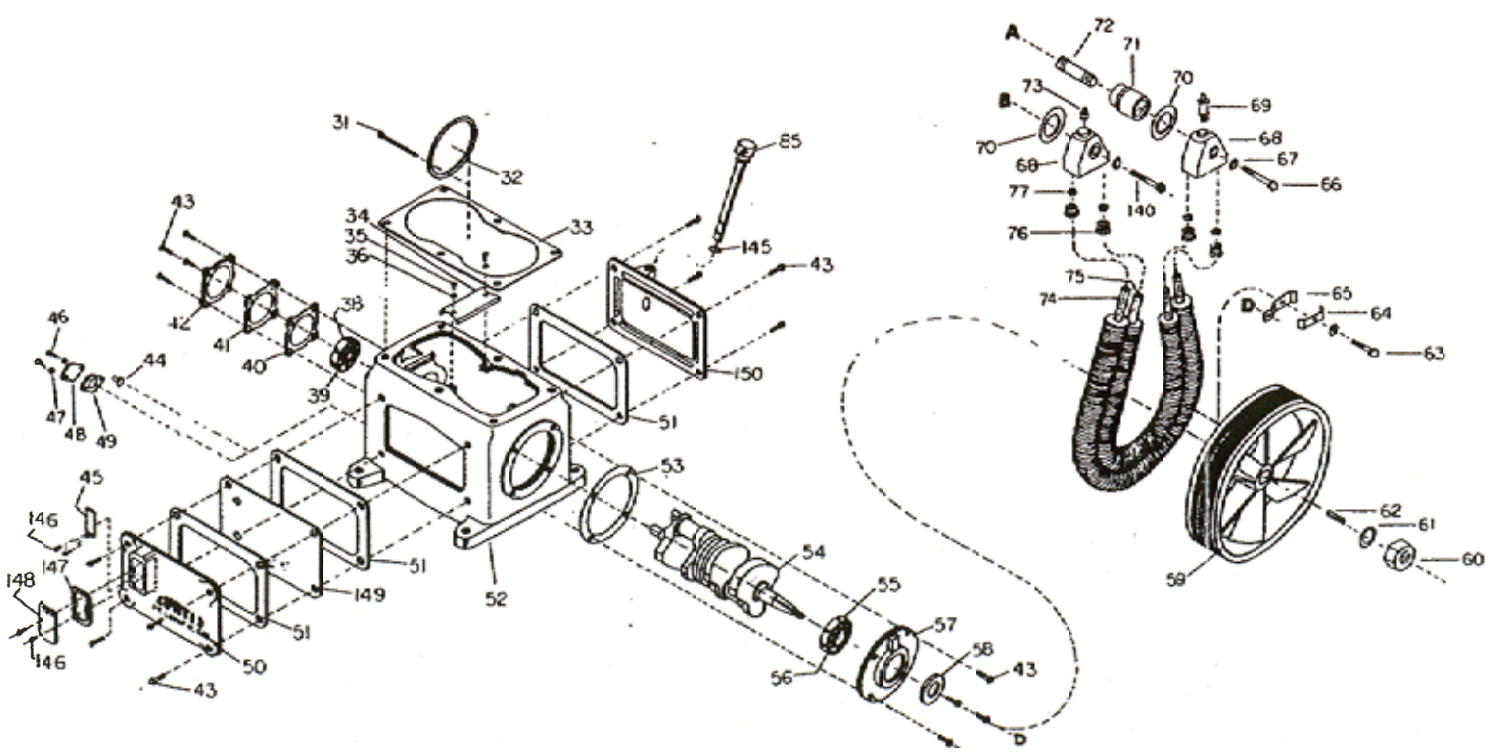
Tel. (314) 383-1300 Fax (314) 381-1439

E-MAIL: info@curtistoledo.com

Sales representatives in principle cities.

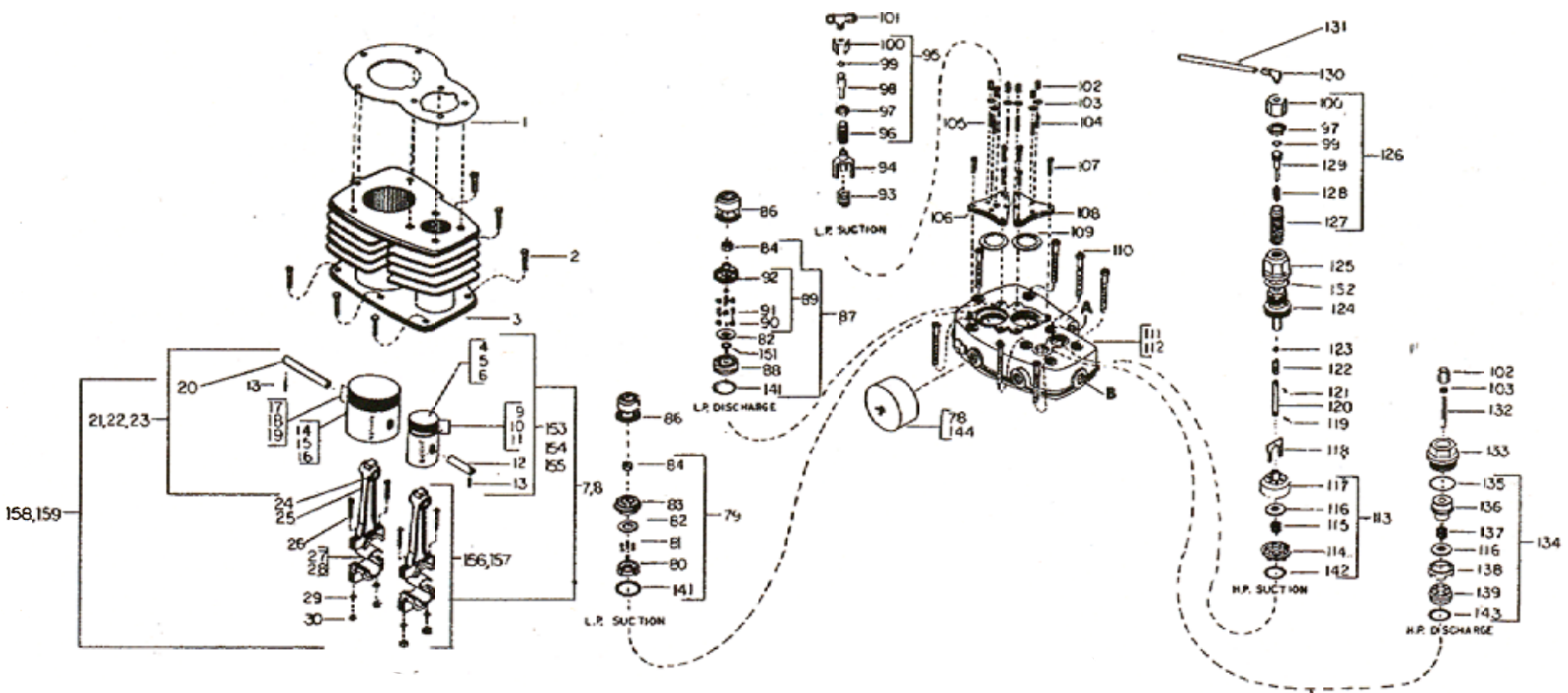
PARTS LIST

**CURTIS PARTS LIST FOR
COMPRESSOR MODEL D97A**



GASKET SET
37

CURTIS PARTS LIST FOR COMPRESSOR MODEL D97A



CURTIS PARTS LIST FOR COMPRESSOR MODEL D97A

CDB1219

COMPRESSOR REPLACEMENT PARTS			
ITEM	PART NO.	DESCRIPTION	QTY
1	CD 1208-2	GASKET , CYL. HD. 1/16"	1
2	VH 12 RN	SCREW, HEX HD CAP 5/8" - 11 x 1-3/4", GR. 5	6
3	CDA 1287	CYLINDER	1
4	CDB 1342	PISTON, H.P.	1
5	CDB 1342-010	PISTON, H.P. (.010 OVERSIZED)	1
6	CDB 1342-030	PISTON, H.P. (.030 OVERSIZED)	1
7	CDB 1347	H.P. PISTON WITH RINGS, PIN AND CONN. ROD ASSY. (STD. PISTON AND BEARING HALVES)	1
8	CDB 1347-001	H.P. PISTON WITH RINGS, PIN AND CONN. ROD ASSY. (STD. PISTON .001 BEARING HALVES)	1
9	CQ 868	RINGS, H.P., REPLACEMENT SET (STD. SIZE)	1
10	CQ 868-010	RING, H.P. REPLACEMENT SET (.010 OVERSIZE)	1
11	CQ 868-030	RING, H.P. REPLACEMENT SET (.030 OVERSIZE)	1
12	CDB 1335	PIN, H.P. PISTON	1
13	VH1312	PIN, ROLL 1/4" x 3/4" LG	2
14	CDB 1368	PISTON, L.P. (STANDARD)	1
15	CDB 1368-010	PISTON, L.P. (.010 OVERSIZED)	1
16	CDB 1368-030	PISTON, L.P. (.030 OVERSIZED)	1
17	CDA 1258	SET, RINGS, L.P. PISTON (STANDARD)	1
18	CDA 1258-010	SET, RINGS, L.P. PISTON (.010 OVERSIZED)	1
19	CDA 1258-030	SET, RINGS, L.P. PISTON (.030 OVERSIZED)	1
20	CDB 1361	PIN, L.P. PISTON	1
21	CDB 1372	L.P. PISTON WITH RINGS AND PIN (STANDARD)	1
22	CDB 1372-010	L.P. PISTON WITH RINGS AND PIN (.010 OVERSIZE)	1
23	CDB 1372-030	L.P. PISTON WITH RINGS AND PIN (.030 OVERSIZE)	1
24	VD 841	BEARING, NEEDLE ROLLER, FULL COMPLEMENT "TORRINGTON" B-1812	4
25	CDB 1333	CONNECTING ROD, MACHINING	2
26	VH 12 JS	SCREW, HX. HD. CAP 3/8" - 24NF x 2-3/4" LG	4
27	CDA 1244	BEARING, SET, CONN. ROD (STD. SIZE)	2
28	CDA 1245	BEARING, SET, CONN. ROD (FOR .001 UNDERSIZE SHAFT)	2
29	VH 35 K	LOCKWASHER, SPLIT 3/8" STD.	4
30	VH 15 J	NUT, HEX 3/8" - 24NF	4
31	VH 23 KW	COTTER, 5/16" x 3-3/4"	1
32	CM 1047	RING, OILING	1
33	CJ 412-1	GASKET, CRANKCASE	1
34	CDA 1253	BAFFLE, OIL	1
35	VH 01 CC	SCREW, MACHINE 10-32 x 3/8"	2
36	VH38D	LOCKWASHER, #10 INTERNAL TOOTH-SHAKEPROOF	2
37	CD 1249	SET, GASKET	1
38	VD 819	CONE, ROLLER BEARING NO. 3578 (SMALL END PLATE SIDE)	1
39	VD 818	CUP, ROLLER BEARING NO. 3525 (SMALL END PLATE SIDE)	1
40	CJ 412-4	GASKET, SMALL END PLATE	2
41	CD 1290	SET, SHIM, SMALL END PLATE	1
42	CJ 408-2	PLATE, SMALL END	1
43	VH 12 KK	SCREW, HEX HD. CAP 3/8" - 16 x 1-1/4", GR 5	16
44	VA 01 DR	PLUG, PIPE 1/2"	1
45	CM 664	VALVE, BREATHER	1
46	VH12FD	SCREW, HEX HD CAP 1/4" - 20 x 1/2"	2
47	VH35F1	LOCKWASHER, SPLIT 1/4"	2
48	CA 2323	PLATE, FLANGE COVER	1
49	CA 2312	GASKET, FLANGE COVER PLATE	1
50	CDA 1214	DOOR, SIDE BREATHER	1
51	CD 1239A	GASKET, SIDE DOOR	3
52	CDA 1250	CRANKCASE	1
53	CJ 412-2	GASKET, LARGGE END PLATE .007 PAPER	1
54	CDA 1294	CRANKSHAFT, WITH CUPS AND PLUGS	1
55	VD 820	CONE, ROLLER BEARING NO. 3780 (LARGE END SIDE)	1
56	VD 821	CUP, ROLLER BEARING NO. 3720 (LARGE END SIDE)	1
57	CDA 1227	PLATE, LARGE END WITH BEARINGCUP AND OIL SEAL	1
58	VB 301	SEAL, OIL	1
59	CDA 1248	FLYWHEEL	1
60	VH 1501	NUT, HEX 1-1/4" - 12	1
61	VH 37 Z	LOCKWASHER, SPRING 1-1/4" x .336 x .224 (LIGHT)	1
62	CDA 1231	KEY, 3/8" x 1/2" x 2-3/4" LG	1
63	VH 11 KR	SCREW, HEX HD. CAP 3/8" - 16 x 2-1/2"	1
64	CDA 1265	CLAMP, INTERCOOLER	1
65	CDA 1264	BRACKET, INTERCOOLER	1
66	VH 12 PW	SCREW, HEX HD. CAP 1/2" - 13 x 3-3/4"	1
67	VH 1223	WASHER, 1/2"	2
68	CD 1207-1	MANIFOLD, INTERCOOLER	2
69	VV 405	VALVE, SAFETY 1/4" MPT x 70 PSIG	2
70	CDA 1225	GASKET, INTERCOOLER, MANIFOLD	1
71	CD 1207-2	FLANGE, MANIFOLD	1
72	VAC842	NIPPLE, PIPE 1-1/4" x 4" LG SEAMLESS	1
73	VA 01 BA	PLUG, SQ.HED. 1/4" STEEL PIPE	1
74	CDA 1252A	INTERCOOLER, OUTER (CDA1263A WITH SLEEVES)	1
75	CDA 1252B	INTERCOOLER, INNER (CDA 1263B WITH SLEEVES)	1
76	CR 226-6	NUT, HEX 1" INTERCOOLER	4
77	CR 2265	SLEEVES, 1" INTERCOOLER	4
78	VA 1120	FILTER/SILENCER SUCTION 1-1/4" NPT	1

COMPRESSOR REPLACEMENT PARTS			
ITEM	PART NO.	DESCRIPTION	QTY
79	CMA 607	ASSY. SUCTION VALVE L.P.	1
80	CMA 600	BACKSTOP L.P.S.V.	1
81	CA 29946	SPRING, SUCTION VALVE 3/8" O.D. x 37/64" LG	3
82	CM 641	DISC. VALVE 2-1/2" O.D. x .058 THICK	2
83	CM 638	SEAT, SUCTION VALVE L.P.	1
84	VH 20 L	NUT, HEX, LOCK 7/16" - 20	2
85	CCA 1290	DIPSTICK WITH O-RING	1
86	CD 1231	SPACER, L.P. VALVE	2
87	CDA 1208	ASSY., DISCHARGE VALVE L.P.	1
88	CM 698	SEAT, DISCHARGE VALVE L.P.	1
89	CM 668	KIT, BACKSTOP DISCHARGE VALVE L.P.	1
90	CMA 646	BUTTONS, VALVES SPRINGS L.P.	6
91	CMA 647	SPRING, DISCHARGE VALVE L.P.	3
92	CMA 644	BACKSTOP, L.P.	1
93	CA 299-48	SPRING, L.P. SUCTION 1" OD x 1-3/8" LG x .080 WIRE	1
94	CBB 928	FORK, UNL.	1
95	CBA 959	ASSY., UNLOADER L.P.S.V.	1
96	CBA 961	CYL. UNLOADER L.P.S.V.	1
97	CB 613-8	LOCKNUT, HEX 1-1/8"	2
98	CBA 960	PISTON UNLOADER L.P.S.V.	1
99	VB 407	O-RING, 7/16" I.D. x 5/8" x 3/32"	2
100	CBA 924	CAP, UNLOADER CYL.	2
101	VA 729	TEE, 1/4" T x 1/4" MPT BRANCH	1
102	RK 206-3	NUTS, STUD 9/16 HEX x 7/8" LG.	7
103	VH1232	WASHER, FLAT 1/2"	7
104	VH 09 KP	SCREW, SET 3/8" - 16 x 2" LG.	3
105	VH 09 KN	SCREW, SET 3/8" - 16 x 1-3/4" LG.	3
106	CM 624	PLATE, COVER H.P.S.V.	1
107	VH12PM	SCREW, CAP 1/2" - 13 x 1-1/2" HEX HD.	6
108	CM 626	PLATE, COVER H.P.D.V.	1
109	CM 656	GASKET, COVER PLATE H.P. AND L.P.	2
110	VH 12 RY	SCREW, HEX HD. CAP 5/8" - 11 x 4-1/2", GR 5	7
111	CD 1251	HEAD CYLINDER	1
112	CDB 1205	ASSY., CYL. HD. WITH VALVES AND UNLOADERS	1
113	CDA 1204	ASSY., H.P.S.V.	1
114	CD 1222	RETAINER H.P.S.V.	1
115	CDA 1254	SPRING H.P.S.V.	1
116	CD 1230	DISC, VALVE H.P.	2
117	CD 1223	SEAT, SUCTION VALVE H.P.	1
118	CB 981	FORK, UNLOADER H.P.S.V.	1
119	VH 25 CB	PIN, ROLL 3/32" DIA x 1/4"	1
120	CBB 929	PIN, UNLOADER H.P.S.V., 1/4" DIA x 2-15/16"	1
121	VH 23 BD	PIN, COTTER 1/16" x 1/2" LG.	1
122	CB 602-7	SPRING, H.P. SUCTION 3/8" O.D. x 1-3/8" LG.	1
123	CB 982	WASHER, UNLOADER PIN	1
124	CBB 930	PLUG, H.P.S.V.	1
125	CP 615-6	CAP SUCTION VALVE	1
126	CBB 926	ASSY., UNLOADER PISTON H.P.S.V.	1
127	CBB 925	CYLINDER, UNLOADER H.P.S.V.	1
128	CBA 976	SPRING, H.P.S.V. 9/16" O.D. x 1-7/16" LG.	1
129	CBA 972	PISTON, UNLOADER H.P.S.V.	1
130	VA 15 BCE	ELBOW, CONNECTOR 1/4" MPT x 1/4"	1
131	CBA 995	TUBING, UNLOADER 1/4" O.D. CU TUBE x 8-1/4" LG	1
132	VH 09 KR	SCREW, SET 3/8" - 16 x 2-1/2" LG.	1
133	CD 1229	PLUG, H.P.D.V.	1
134	CDA1205	ASSY., H.P.D.V.	1
135	VB 910	GASKET, 1-15/16" x 1-11/16" x 1/16" THK.	1
136	CD 1227	BACKSTOP, H.P.D.V.	1
137	CDA 1226	SPRING, DISCHARGE VALVE H.P.	1
138	CD 1228	GUIDE, H.P.D.V.	1
139	CD 1226	SEAT, H.P.D.V.	1
140	VH12PY	SCREW, HEX HD. CAP 1/2" - 13 x 4-1/2", GR. 5	2
141	CDA 1286	GASKET, L.P. SUCTION AND DISCHARGE	1
142	VB 913	GASKET, H.P.S.V.	1
143	CDA 1282	GASKET, H.P.D.V.	1
144	VA 1121	FILTER ELEMENT ONLY	1
145	VB 403	O-RING	1
146	VH 01 CC	SCREW MACHINE 10 - 32 x 3/8"	4
147	CM 665	GASKET, BREATHER COVER	1
148	CM 663	COVER, BREATHER	1
149	CDA 1213	BAFFLE, SIDE DOOR	1
150	CDA 1249	DOOR, SIDE OIL FILL	1
151	CDA 1273	SPACER, VALVE LIFT	1
152	CDB 1216	GASKET, ALUMINUM, H.P.S.V.	1
153	CDB 1346	H.P. PISTON WITH RINGS AND PIN (STANDARD)	1
154	CDB 1346-010	H.P. PISTON WITH RINGS AND PIN (.010 OVERSIZE)	1
155	CDB 1346-030	H.P. PISTON WITH RINGS AND PIN (.030 OVERSIZE)	1
156	CDB 1333	CONNECTION ROD COMPLETE ASSEMBLY (STD. BEARING HALVES)	1
157	CDB 1333-001	CONNECTION ROD COMPLETE ASSEMBLY (.001 OVERSIZE BEARING HALVES)	1
158	CDB 1371	L.P. PISTON WITH RINGS, PIN AND CONN. ROD ASSY., (STD. PISTON AND BEARING HALVES)	1
159	CDB 1371-001	L.P. PISTON WITH RINGS, PIN AND CONN. ROD ASSY., (STD. PISTON AND .001 OVERSIZE BEARING HALVES)	1

CURTIS PARTS LIST FOR COMPRESSOR MODEL D97A

CDB1219

ASSEMBLIES – KITS - SETS			
ITEM	PART NO.	DESCRIPTION	QTY
7	CDB 1347	H.P. PISTON WITH RINGS, PIN AND CONN. ROD ASSY. (STD. PISTON AND BEARING HALVES)	1
8	CDB 1347-001	H.P. PISTON WITH RINGS, PIN AND CONN. ROD ASSY. (STD. PISTON .001 BEARING HALVES)	1
17	CDA 1258	SET, RINGS, L.P. PISTON (STANDARD)	1
18	CDA 1258-010	SET, RINGS, L.P. PISTON (.010 OVERSIZED)	1
19	CDA 1258-030	SET, RINGS, L.P. PISTON (.030 OVERSIZED)	1
22	CDB 1372-010	L.P. PISTON WITH RINGS AND PIN (.010 OVERSIZE)	1
23	CDB 1372-030	L.P. PISTON WITH RINGS AND PIN (.030 OVERSIZE)	1
24	VD 841	BEARING, NEEDLE ROLLER, FULL COMPLEMENT "TORRINGTON" B-1812	4
27	CDA 1244	BEARING, SET, CONN. ROD (STD. SIZE)	2
28	CDA 1245	BEARING, SET, CONN. ROD (FOR .001 UNDERSIZE SHAFT)	2
37	CD 1249	SET, GASKET	1
41	CD 1290	SET, SHIM, SMALL END PLATE	1
57	CDA 1227	PLATE, LARGE END WITH BEARINGCUP AND OIL SEAL	1
79	CMA 607	ASSY. SUCTION VALVE L.P.	
87	CDA 1208	ASSY., DISCHARGE VALVE L.P.	1
89	CM 668	KIT, BACKSTOP DISCHARGE VALVE L.P.	1
95	CBA 959	ASSY., UNLOADER L.P.S.V.	1
112	CDB 1205	ASSY., CYL. HD. WITH VALVES AND UNLOADERS	1
113	CDA 1204	ASSY., H.P.S.V.	1
126	CBB 926	ASSY., UNLOADER PISTON H.P.S.V.	1
134	CDA 1205	ASSY., H.P.D.V.	1
153	CDB 1346	H.P. PISTON WITH RINGS AND PIN (STANDARD)	1
154	CDB 1346-010	H.P. PISTON WITH RINGS AND PIN (.010 OVERSIZE)	1
155	CDB 1346-030	H.P. PISTON WITH RINGS AND PIN (.030 OVERSIZE)	1
156	CDB 1333	CONNECTION ROD COMPLETE ASSEMBLY (STD. BEARING HALVES)	1
157	CDB 1333-001	CONNECTION ROD COMPLETE ASSEMBLY (.001 OVERSIZE BEARING HALVES)	1
158	CDB 1371	L.P. PISTON WITH RINGS, PIN AND CONN. ROD ASSY., (STD. PISTON AND BEARING HALVES)	1
159	CDB 1371-001	L.P. PISTON WITH RINGS, PIN AND CONN. ROD ASSY., (STD. PISTON AND .001 OVERSIZE BEARING HALVES)	1

CURTIS – TOLEDO, INC.

1905 KIENLEN AVENUE

ST. LOUIS, MISSOURI 63133

(314) 383-1300 FAX (314) 381-1439

info@curtistoledo.com

Sales representatives in principal cities