

## Series 350 Hose Reels

308400ZAA  
ENG

Used to dispense lubrication products, air, water, transmission fluid and antifreeze.

**NOTE:** These hose reels are for stationary mountings only and cannot be used with enclosures.



### Important Safety Instructions.

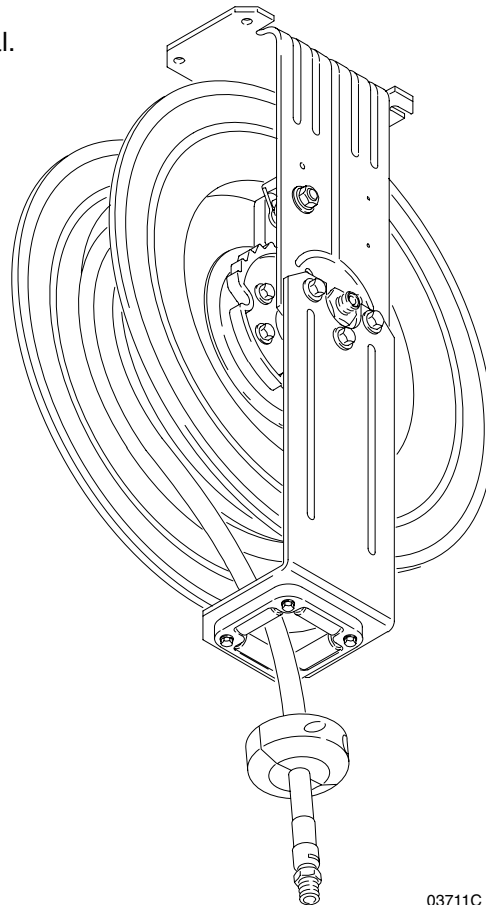
Read all warnings and instructions in this manual.

Save these instructions.

See page 2 for **List of Models** and **Table of Contents**.

### **WARNING**

These hose reels are designed to dispense lube products, air, water, transmission fluid, or anti-freeze only. Any other use of these hose reels can cause unsafe operating conditions and result in component rupture, fire, or explosion, which could cause serious bodily injury, including fluid injection.



03711C

# List of Models

# Table of Contents

## Low-Pressure, Standard Mount

Models	Hose Length	Maximum Working Pressure
238213	60 ft (18.3 m)	180 psi (1.25 MPa, 12.5 bar)
256983	60 ft (18.3 m)	180 psi (1.25 MPa, 12.5 bar)
243983	50 ft (15.2 m)	180 psi (1.25 MPa, 12.5 bar)

## Medium-Pressure, Standard Mount

Models	Hose Length	Maximum Working Pressure
237020	None	1800 psi (12.4 MPa, 124 bar)
237022	50 ft (15.2 m)	1800 psi (12.4 MPa, 124 bar)
256984	50 ft (15.2 m)	1800 psi (12.4 MPa, 124 bar)

## High-Pressure, Standard Mount

Models	Hose Length	Maximum Working Pressure
237030	none	8000 psi (55.2 MPa, 552 bar)
237032	50 ft (15.2 m)	5000 psi (34.5 MPa, 345 bar)
256997	50 ft (15.2 m)	5000 psi (34.5 MPa, 345 bar)
237034	50 ft (15.2 m)	4000 psi (27.6 MPa, 276 bar)

Installation	
Typical	5
Mounting Options	7
Installing a Hose	10
Increasing Spring Tension	11
Maintenance	12
Service	14
Parts	
Low/Medium Pressure	16
High Pressure	18
Accessories	20
Technical Data	23
Manual Change Summary	23
Dimensions	23
Graco Standard Warranty	24
Graco Information	24

# Symbols

## Warning Symbol



This symbol alerts you to the possibility of serious injury or death if you do not follow the instructions.

## Caution Symbol



This symbol alerts you to the possibility of damage to or destruction of equipment if you do not follow the instructions.

## WARNING



### SKIN INJECTION HAZARD

Fluid from the dispensing valve, leaks, or ruptured components can inject fluid into your body and cause extremely serious injury, including the need for amputation. Fluid splashed in the eyes or on the skin can also cause serious injury.

- Fluid injected into the skin might look like a minor cut, but it is a serious injury. **Seek immediate surgical treatment.**
- Do not point the dispensing valve at anyone or at any part of the body.
- Do not put your hand or fingers over the dispensing valve nozzle.
- Do not stop or deflect leaks with your hand, body, glove, or rag.
- Follow the **Pressure Relief Procedure** on page 12 if the dispensing valve clogs and before cleaning, checking, or servicing the equipment.
- Tighten all fluid connections before operating the equipment.
- Check the hoses, tubes, and couplings daily. Replace worn or damaged parts immediately. Do not repair medium- or high-pressure couplings; you must replace the entire hose.
- Do not attempt to force lubricant into a fitting. If the lubricant is not flowing, stop dispensing immediately; the fitting may be clogged.



### FIRE AND EXPLOSION HAZARD

Improper grounding, poor ventilation, open flames, or sparks can cause a hazardous condition and result in a fire or explosion and serious injury.

- Be sure the entire fluid system is properly grounded. The hoses supplied with these hose reels are electrically conductive. The hose reel is grounded by connecting electrically conductive supply hoses to a properly grounded system. Refer to your pump instruction manual for complete details.
- If there is any static sparking or you feel an electric shock while using this equipment, **stop dispensing immediately**. Do not use the equipment until you identify and correct the problem.
- Provide fresh air ventilation to avoid the buildup of flammable fumes from solvents or the fluid being dispensed.
- Keep the dispensing area free of debris, including solvent, rags, and spilled gasoline.
- Do not smoke while dispensing flammable fluids.

# WARNING



## TOXIC FLUID HAZARD

Hazardous fluid or toxic fumes can cause serious injury or death if inhaled, swallowed, splashed in the eyes, or splashed on the skin.

- Know the specific hazards of the fluid you are using.
- Store hazardous fluid in an approved container. Dispose of hazardous fluid according to all local, state, and national guidelines.
- Always wear protective eyewear, gloves, clothing, and a respirator as recommended by the fluid and solvent manufacturer.



## HOSE REEL SPRING HAZARD

The spring, which is located behind the flange, is always under great tension and could be propelled from the lower flange with enough force to cause serious injury.

To reduce the risk of serious injury:

- Do not attempt to remove spring from flange.
- Do not attempt to replace or service the hose reel spring.



INSTRUCTIONS

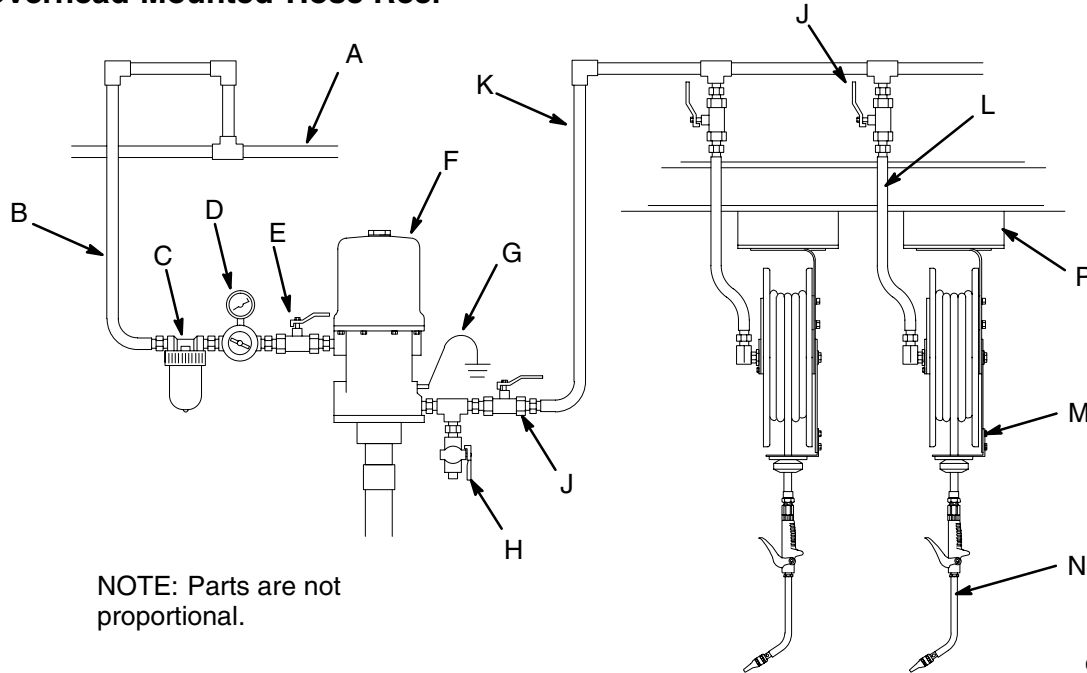
## EQUIPMENT MISUSE HAZARD

Equipment misuse can cause the equipment to rupture or malfunction and result in serious injury.

- This equipment is for professional use only.
- Read all instruction manuals, tags, and labels before operating the equipment.
- Use the equipment only for its intended purpose. If you are not sure, call your Graco distributor.
- Do not alter or modify this equipment. Use only genuine Graco parts and accessories. Use only extensions that are designed for use with your dispensing valve. Modifying parts can cause a malfunction and result in serious bodily injury.
- Check equipment daily. Repair or replace worn or damaged parts immediately.
- Do not exceed the maximum working pressure of the lowest rated system component. The maximum working pressure of your hose reel assembly is indicated on the hose reel identification plate on the reel pedestal. See also the **Technical Data** section on page 23.
- Use fluids and solvents that are compatible with the equipment wetted parts. Refer to the **Technical Data** section of all equipment manuals. Read the fluid and solvent manufacturer's warnings.
- Do not use hoses to pull equipment.
- Route hoses away from traffic areas, sharp edges, moving parts, and hot surfaces. Do not expose hoses to temperatures above 82°C (180°F) or below -40°C (-40°F).
- Do not lift pressurized equipment.
- Comply with all applicable local, state, and national fire, electrical, and safety regulations.
- If you are adding a service hose and dispensing valve to a bare hose reel, be sure you know the maximum working pressure of all the components.
- Never use a low-pressure flexible extension designed for low-pressure dispensing valves or hand-powered lubricating equipment on a medium- or high-pressure dispensing valve.

# Installation – Typical Installation

## Overhead-Mounted Hose Reel



### KEY

- |   |                                       |
|---|---------------------------------------|
| A Main air supply line                          | H Fluid drain valve <i>(required)</i> |
| B Pump air supply line                          | J Fluid shutoff valve                 |
| C Air filter                                    | K Fluid line                          |
| D Air regulator                                 | L Hose reel fluid inlet kit           |
| E Bleed-type master air valve <i>(required)</i> | M Hose reel                           |
| F Pump  | N Dispensing valve                    |
| G Pump grounding wire <i>(required)</i>         | P Mounting channel/base               |

Fig. 1

# Installation – Typical Installation

The typical installations shown in Fig. 1 is only a guide for selecting and installing a hose reel system. The components and accessories shown are the minimum requirements for all systems. However, it is not an actual system design. Contact your Graco distributor for assistance in designing a system to suit your particular needs.

**NOTE:** The air and fluid accessories required for your pump must be properly sized to that pump. Refer to your specific pump manual for selecting pump accessories.

## **WARNING**

Three accessories are required in your system: a ground wire (G), a bleed-type master air valve (E) and a fluid drain valve (H). These accessories help reduce the risk of serious injury, including electric shock and splashing in the eyes or on the skin.

The ground wire must be connected to the pump grounding lug and to a true earth ground according to your local code.

The bleed-type master air valve relieves air trapped between this valve and the pump after the air is shut off. Trapped air can cause the pump to cycle unexpectedly. Locate the valve close to the pump.

The fluid drain valve assists in relieving fluid pressure in the displacement pump, hose, and gun. Triggering the gun to relieve pressure may not be sufficient.

## **Air Line Accessories**

Install the following accessories in the order shown in Fig. 1, using adapters as necessary:

- **Bleed-type Master Air Valve (E):** locate downstream from the air regulator and for easy access from the pump.
- **Air Regulator (D):** controls pump speed and outlet pressure by adjusting the air pressure to the pump. Locate the regulator close to the pump but upstream from the bleed-type master air valve.
- **Air Line Filter (C):** removes harmful dirt and moisture from the compressed air supply.

## **Fluid Line Accessories**

Install the following accessories in the order shown in Fig. 1, using adapters as necessary:

- **Fluid Drain Valve (H):** install the drain valve pointing down but so the handle points up when the valve is opened.
- **Fluid Shutoff Valve (J):** shuts off fluid to the hose reel.
- **Dispensing Valve (N):** dispenses the fluid or air.

## **Required Hose Reel Installation Accessories**

Be sure you have these accessories before starting the installation. All of these accessories are shown on pages 20 and 21.

- Hose inlet kits (L)
- Reel mounting bases, mounting brackets, and mounting channels (P)
- Dispense valves (N)

## **Mounting Restrictions**

- For stationary mounting only; do not use in any mobile installation.
- You can replace the roller support arm on Series 350 hose reels with an accessory-base-mounted support.
- Hose reel enclosures do not fit on these reels.

## **WARNING**

To reduce the risk of injury when mounting a hose reel overhead, always use a lift truck.

# Installation – Mounting Options

## All Mountings

**NOTE:** Always use large flat washers with the bolts you use to mount the hose reel pedestal to any surface.

### **⚠ CAUTION**

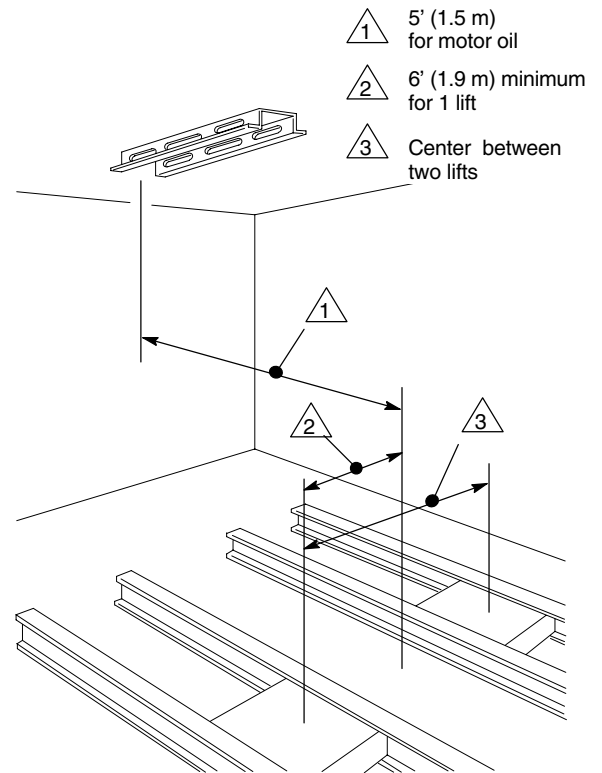
Be sure the mounting surface is strong enough to support the reels, the weight of the lubricants, and the stress caused by hard pulls on the service hoses. See page 23 for the dry weights of the hose reel assemblies.

**NOTE:** All accessories mentioned here are shown on pages 20 and 21.

1. Select the reel bank mounting location.
  - a. For high ceilings, suspend a suitable support structure for the reels, so the hoses will be long enough to reach your service area.
  - b. A reel bank mounted in a one-lift service bay should be at least 6 ft (1.9 m) from the center line of the lift. See Fig. 2.
  - c. In a two-lift bay, mount the bank equal distance between the lifts. A bank of all motor oil reels should be mounted about 5 ft (1.5 m) from the center of the lift, toward the front of the lift rails. See Fig. 2.
2. If you are installing permanent supply lines, drill 1.5-in. (38 mm) diameter holes through the ceiling on the inlet side of the reels.

### **⚠ WARNING**

To reduce the risk of injury, when you are mounting a hose reel overhead, always use a lift truck. Position the hose reel so the pedestal is facing up. Using the lift truck, raise the reel as close to the mounting location as possible. Bolt the hose reel to its mounting, and be sure it is secure before lowering the lift truck.



**Fig. 2**

1639

# Installation – Mounting Options

## Ceiling Mounting Without an I-Beam

1. Install the mounting frame (303) and base plate (304) as shown in Fig. 3.

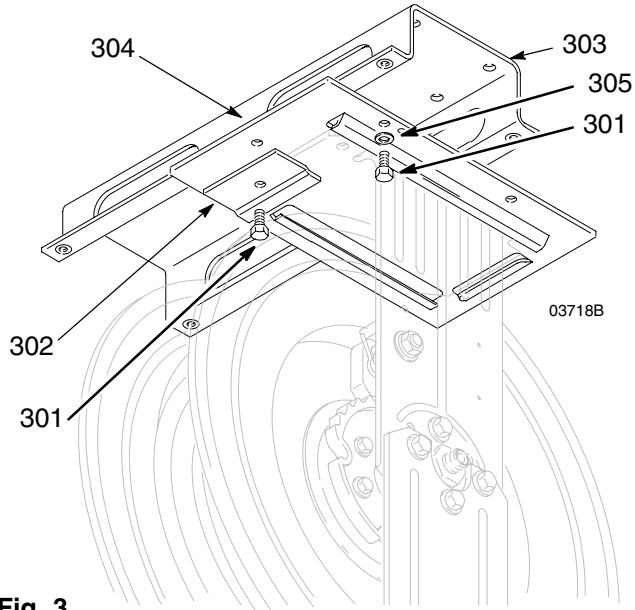


Fig. 3

2. Determine the desired position of the roller support arm (37)

- The hose reel is factory-assembled and shipped with the roller support arm (37) in position AA. If position AA, BB, CC, or DD is desired, continue with step 3. See Fig. 4.

- If the desired roller support arm (37) position is EE or FF, rotate the ratchet (31) clockwise one screw hole (60°). This will assure retraction when the hose is at maximum extension. See Fig. 5.

3. Slide the hose reel onto the base plate (304) and install the hold-down plate (302) and capscrew (301). Tighten the screw firmly. See Fig. 3.

4. Connect the supply line to the inlet hose of the reel. Purchase the hose inlet kit separately. See **Accessories** on page 20.

5. Adjust the spring tension of the reel. Hose reels shipped with hoses come from the factory with the tension preset for a typical installation. To adjust for more or less tension, see **Increasing Spring Tension** on page 11. If you have purchased a bare hose reel, see **Installing a Hose on a Bare Reel** on page 10.

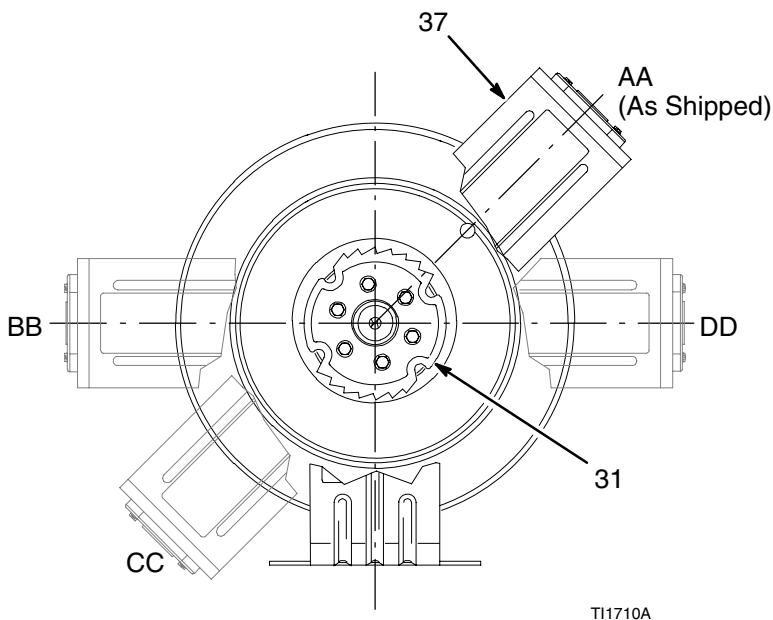


Fig. 4

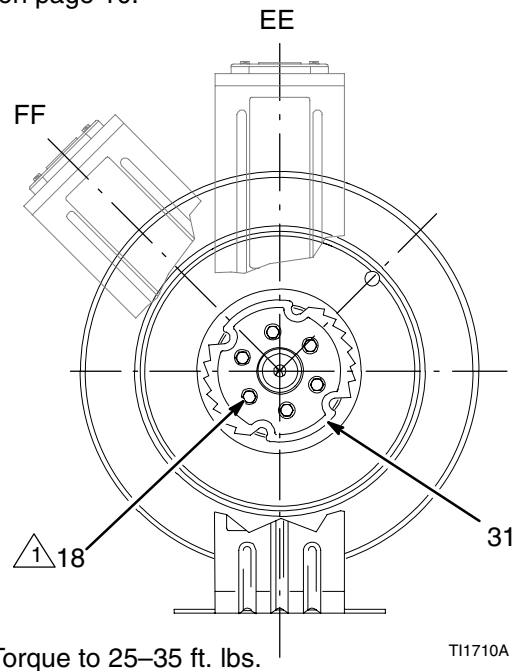
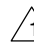


Fig. 5

 Torque to 25–35 ft. lbs.



# Installation – Mounting Options

## Ceiling Mounting Directly to an I-Beam

**NOTE:** The reel base is slotted (A) to allow two screws to be started before mounting the reel to the support. See Fig. 3.

1. Using the template (B) provided, drill holes in the I-Beam (C). See Fig. 6.
2. Continue with Step 2 of **Ceiling Mounting Without an I-Beam** on page 7.

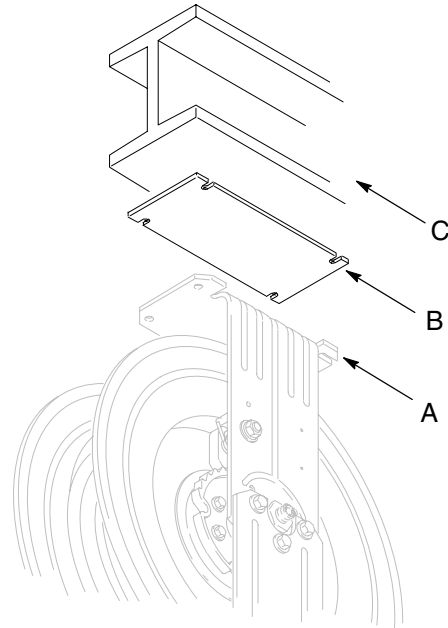


Fig. 6

03719C

## Ceiling Mounting to an I-Beam Without Drilling Holes

**NOTE:** All accessories mentioned are shown on pages 20 and 21.

1. Secure two accessory mounting brackets (D) as shown in Fig. 7. Use two mounting brackets for each 1 to 3 capacity mounting channels (F).
2. Position the adjustable clamps (E) of the mounting brackets over the I-Beam (C), and tighten them securely. See Fig. 7.
3. Continue with Step 2 of **Ceiling Mounting Without an I-Beam** on page 7.

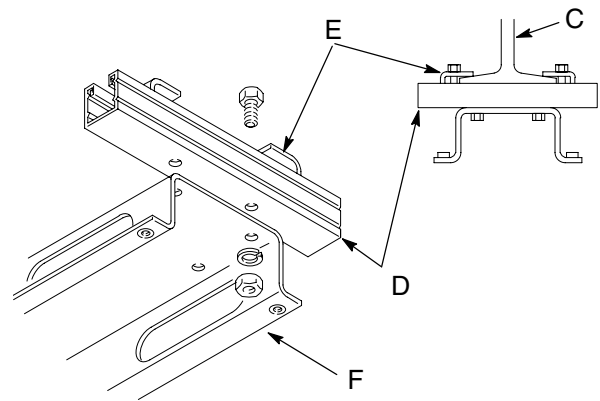


Fig. 7

1655

## Wall Mounting

**NOTE:** All accessories mentioned are shown on pages 20 and 21.

1. Select the reel bank mounting location. Mount the reel to a wall, using the provided template (B) for laying out the holes you drill.

You *can* mount an accessory base plate (304) to the wall for easier removal of the hose reel for servicing. See Fig. 8.

2. Continue with Step 2 of **Ceiling Mounting Without an I-Beam** on page 7.

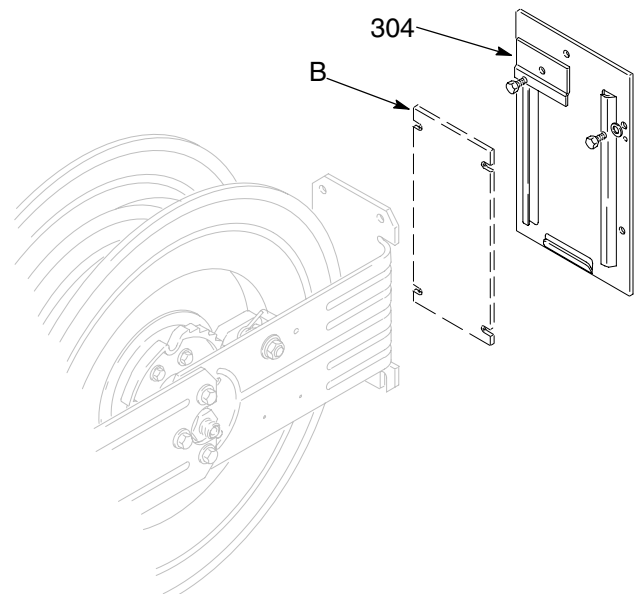


Fig. 8

03720C

# Installation – Installing a Hose

## Installing a Hose on a Bare Reel

1. Locate the length and size of your hose in the chart below. Note how many times you must turn the reel to properly adjust the spring tension.

Hose Length	No. of Reel Turns
50 ft (15.2 m)	13
60 ft (18.3 m)	15

2. Place a piece of tape on the side of the reel flange to use as a visual reference to help you count the number of reel turns.

### **⚠ WARNING**

Always wear heavy gloves when you adjust the spring tension to protect your hands from being cut on the hose reel.

3. Wearing heavy gloves, firmly grab the outside edge of the reel flange with both hands. See Fig. 10. Wind the reel the proper number of turns, rotating it in the direction shown in Fig. 10, and stop only at latching locations. Stop the reel where there is access to the hose swivel (34) (see Fig. 9) and where the reel is securely latched.
4. Before you install the hose, attach a C-clamp (G) to the reel flange to help prevent the reel from unintentionally becoming unlatched and spinning freely. See Fig. 10.

### **⚠ WARNING**

Never allow the reel to spin freely. Doing so causes the hose to spin out of control, which could cause serious injury if you are hit by the hose.

5. Uncoil and extend the hose. Assemble the hose stop (47) to the outlet end of the hose (48) and tighten. See Fig. 11 on page 11.
6. Attach the hose (48) to the hose reel swivel (34), and carefully remove the C-clamp. See Fig. 9.
7. Pull the hose hard enough to release the latch, and slowly allow the hose to retract.
8. Position the hose stop (47) so the hose extends far enough for all operators to reach the dispensing valve. See Fig. 11 on page 11.

**NOTE:** The reel base (303) has two holes (H). Run the inlet hose through either hole, depending on the orientation of the hose reel. See Fig. 11 on page 11.

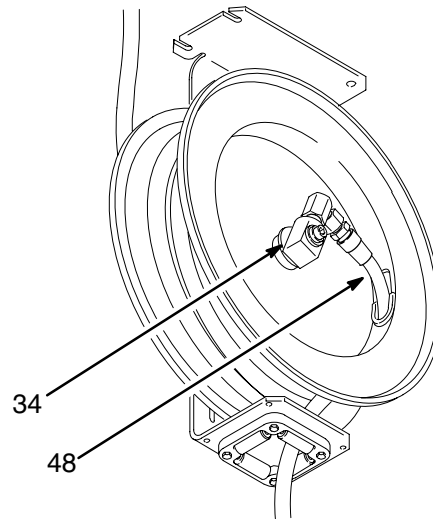


Fig. 9

03722

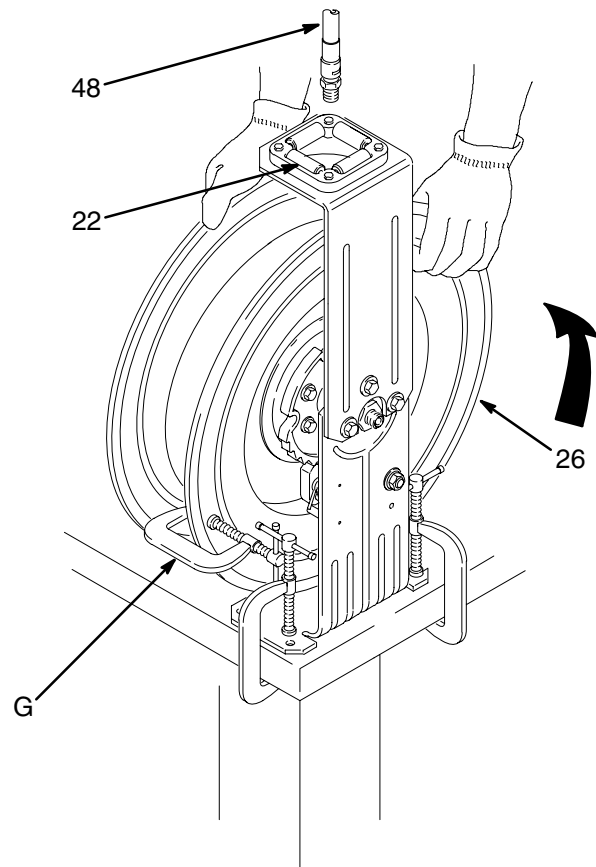


Fig. 10

03723D

# Installation – Increasing Spring Tension

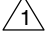
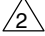
## Increasing Spring Tension

1. Pull the hose out fully, and engage the latch.
2. Pull the hose (48) back through the hose rollers (22). See Fig. 11.
3. Wrap a loop of hose onto the reel flange (26).
4. Check the spring tension; the hose must pull out fully and retract fully. Wrap more loops, one at a time, around the reel flange until the spring has the desired tension.

**NOTE:** Do not put so many loops onto the reel that the spring winds up tightly before the hose is fully extended. Remove loops to decrease tension.

### **CAUTION**

A spring that is wound too tightly prevents the hose from getting pulled out all the way, which puts excessive strain on the hose and reel spring and could damage the reel.

-  To supply line
-  Position hose stop (47) for operator's reach

#### DETAIL A – Hose Inlet Kits

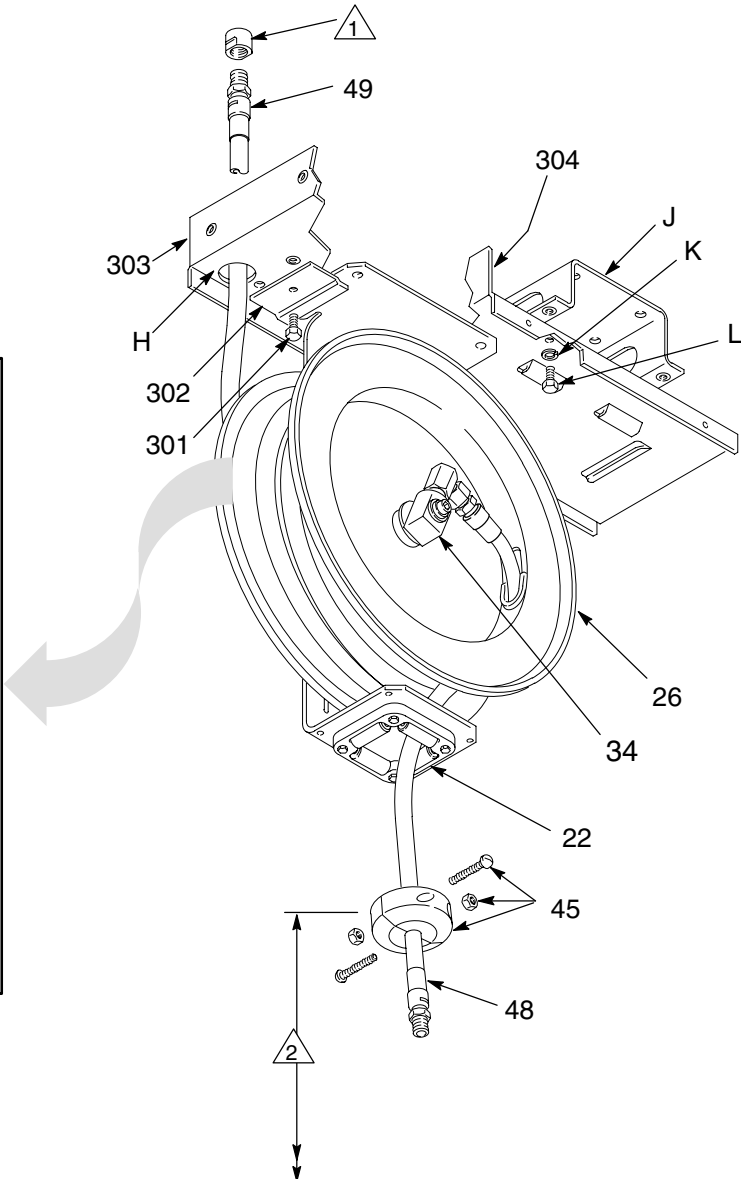
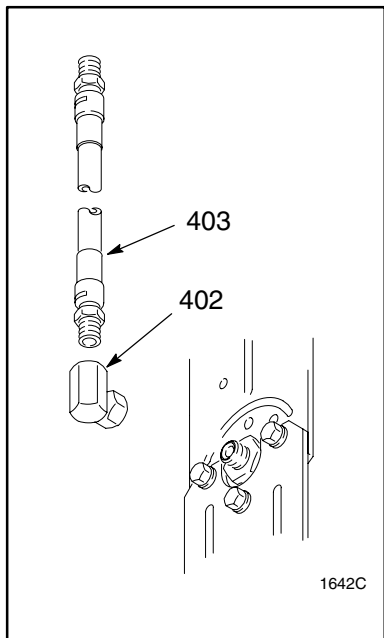


Fig. 11

1641

# Maintenance

## Pressure Relief Procedure

### **⚠ WARNING**



#### **SKIN INJECTION HAZARD**

To reduce the risk of serious injury, including fluid injection, splashing in the eyes or on the skin, or injury from moving parts, always follow this procedure whenever you shut off the pump, and before inspecting, removing, cleaning or repairing any part of the pump or system.

1. Close the supply pump's bleed-type master air valve (required in pneumatic systems).
2. Open the dispensing valve until pressure is fully relieved.
3. Open the fluid drain valve at the pump fluid outlet. Leave the drain valve open until you are ready to use the system again.

*If you suspect that the dispensing valve, extension, or grease fitting coupler is clogged, or that pressure has not been fully relieved after you have followed the steps above, **very slowly** loosen the coupler or hose end coupling to relieve the pressure gradually, then loosen it completely. Then clear the clog.*

## Replacing the Service Hose

1. Relieve the pressure.

### **⚠ WARNING**



#### **SKIN INJECTION HAZARD**

To reduce the risk of serious injury whenever you are instructed to relieve pressure, always follow the **Pressure Relief Procedure** above.

2. Fully extend the hose and latch it.
3. Attach a C-clamp (G) to the reel flange to help prevent the reel from unintentionally becoming unlatched and spinning freely. See Fig. 12.

### **⚠ WARNING**

Never allow the reel to spin freely. Doing so causes the hose to spin out of control, which could cause serious injury if you are hit by the hose.

4. Disconnect and remove the service hose.
5. Attach the hose (48) to the hose reel swivel (34), and carefully remove the C-clamp. See Fig. 13.
6. Pull the hose hard enough to release the latch, and slowly allow the hose to retract.
7. Position the hose stop so the hose extends far enough for all operators to reach the dispensing valve.

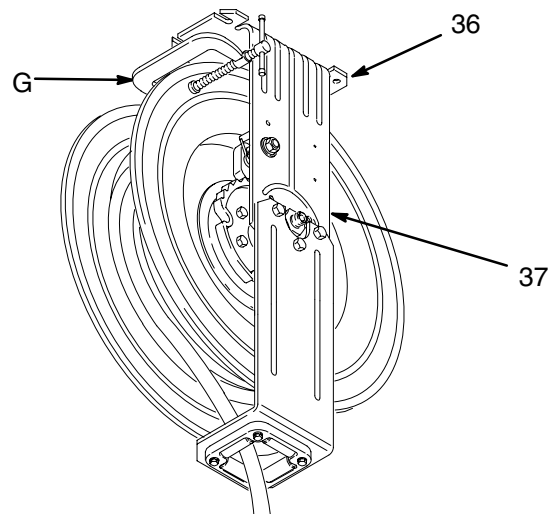


Fig. 12

03724C

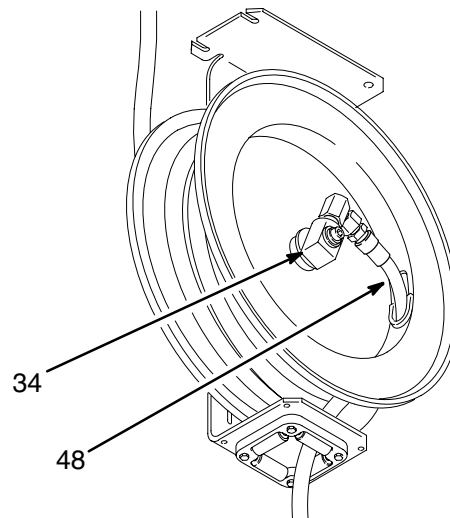


Fig. 13

03722

# Maintenance

## Lubrication

Every six months, apply one or two drops of light motor oil to lubricate the hose reel at point A. See Fig. 14.

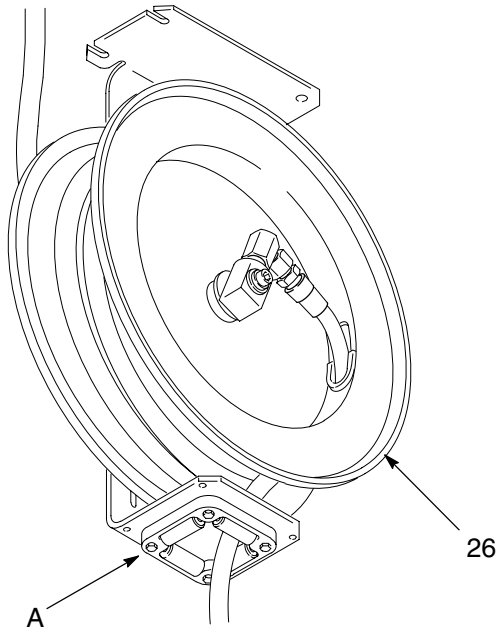


Fig. 14

03722

# Service

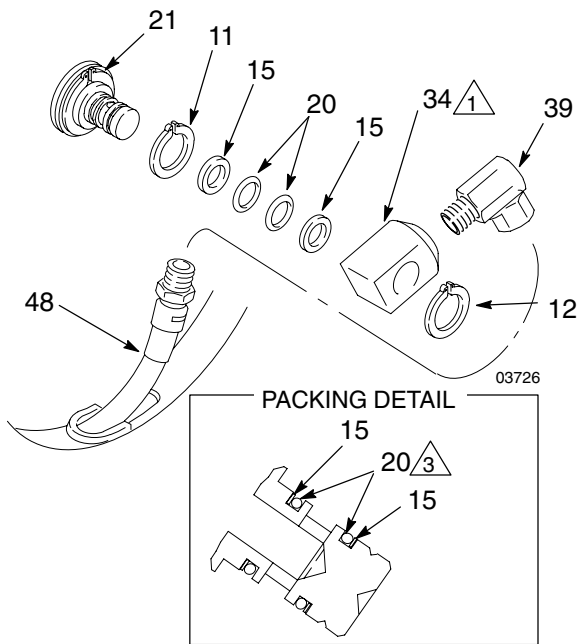
## Swivel

1. Relieve the pressure.

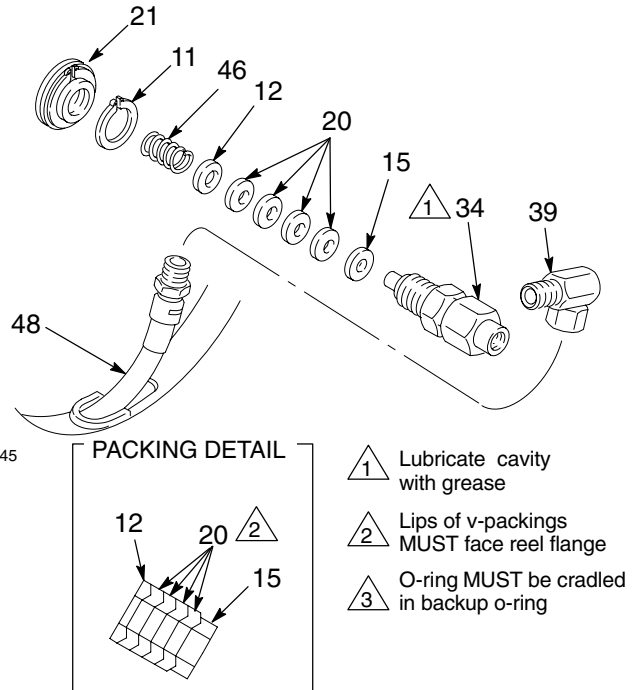
**⚠ WARNING**

**SKIN INJECTION HAZARD**  
To reduce the risk of serious injury whenever you are instructed to relieve pressure, always follow the **Pressure Relief Procedure** on page 12.

2. Disassemble the parts as shown in Fig. 15 and 16 (depending on your hose reel model). Clean the parts, and inspect them for wear or damage.
3. Grease the new parts, and lubricate the cavity of the swivel assembly (34) with high-quality grease. Install the parts as shown in Fig. 15 or 16, depending on your hose reel model.



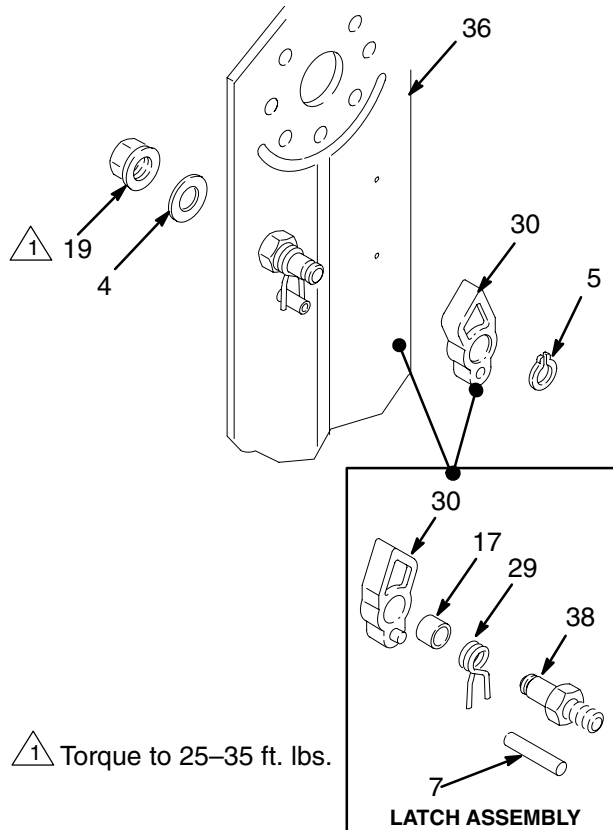
**Fig. 15 Medium-Pressure Hose Reel**



**Fig. 16 High-Pressure Hose Reel**

## Latch

If the reel latch malfunctions or becomes sluggish, disassemble the latching mechanism. See Fig. 17. Clean and lubricate or replace the broken or worn components as necessary.



**Fig. 17**

03739A



# Parts List – Low/Medium Pressure

## Medium Pressure Hose Reels

### Model 237020, Series D

Bare Hose Reel, 1800 psi (124 MPa, 124 bar)  
Includes items 1 to 41

### Model 237022, Series D

Hose reel with 50 ft (15.2 m), 1800 psi (12.4 MPa, 124 bar) hose  
Includes items 1 to 45 and 49

### Model 256984, Series D

Hose reel with 50 ft (15.2 m), 1800 psi (12.4 MPa, 124 bar) hose  
Includes items 1 to 45 and 49

## Low Pressure Hose Reels

### Model 238213, Series E

Hose reel with 60 ft (18.3 m), 180 psi (1.25 MPa, 12.5 bar) hose  
Includes items 1 to 45 and 52

### Model 256983, Series E

Hose reel with 60 ft (18.3 m), 180 psi (1.25 MPa, 12.5 bar) hose  
Includes items 1 to 45 and 52

### Model 243983, Series E

Hose reel with 50 ft (15.2 m), 180 psi (1.25 MPa, 12.5 bar) hose  
Includes items 1 to 45 and 53

Ref No.	Part No.	Description	Qty
1	218591	HOSE ROLLER KIT; Includes items 1a to 1e	
1a	178675	• BRACKET, roller	1
1b	107439	• SCREW, machine; #10 x 3/4"	4
1c	178670	• ROLLER, hose	4
1d	178705	• PIN, dowel	4
1e	102920	• NUT, lock; #10	4
4	101044	WASHER	1
5	101079	RING, retaining	1
7	102039	PIN, straight	1
9	105332	NUT, lock, hex; M5 x 0.08"	6
10	113267	KEY, square, parallel; 3/16" x 1"	1
11	106082	RING, retaining, external	2
12	106083	RING, retaining external	1
13	106084	SCREW, machine; M5 x 10	6
15*	108235	WASHER, backup	2
17	110974	BEARING	1
18	111800	SCREW, cap, flange head; 5/16–18 x 5/8"	9
19	112731	NUT, flanged, 1/2–13 UNC–2B	1
20*	166702	O-RING	2
21	177679	WASHER, retaining	8
24	178681	HUB, reel	1
26		FLANGE SET, reel (may not be purchased separately)	1
28	111220	RING, retaining	1
29	186583	SPRING, torsion	1
30	276382	DOG, ratchet	1
31	276386	RATCHET	1
33▲	187034	LABEL, warning	1
34	187559	SWIVEL, ASSEMBLY	1
35	189056	TAG, Caution (not shown)	1
36	198285	REEL PEDESTAL	1
37	15F311	ROLLER SUPPORT (includes item 33)	1
38	189984	STUD	1

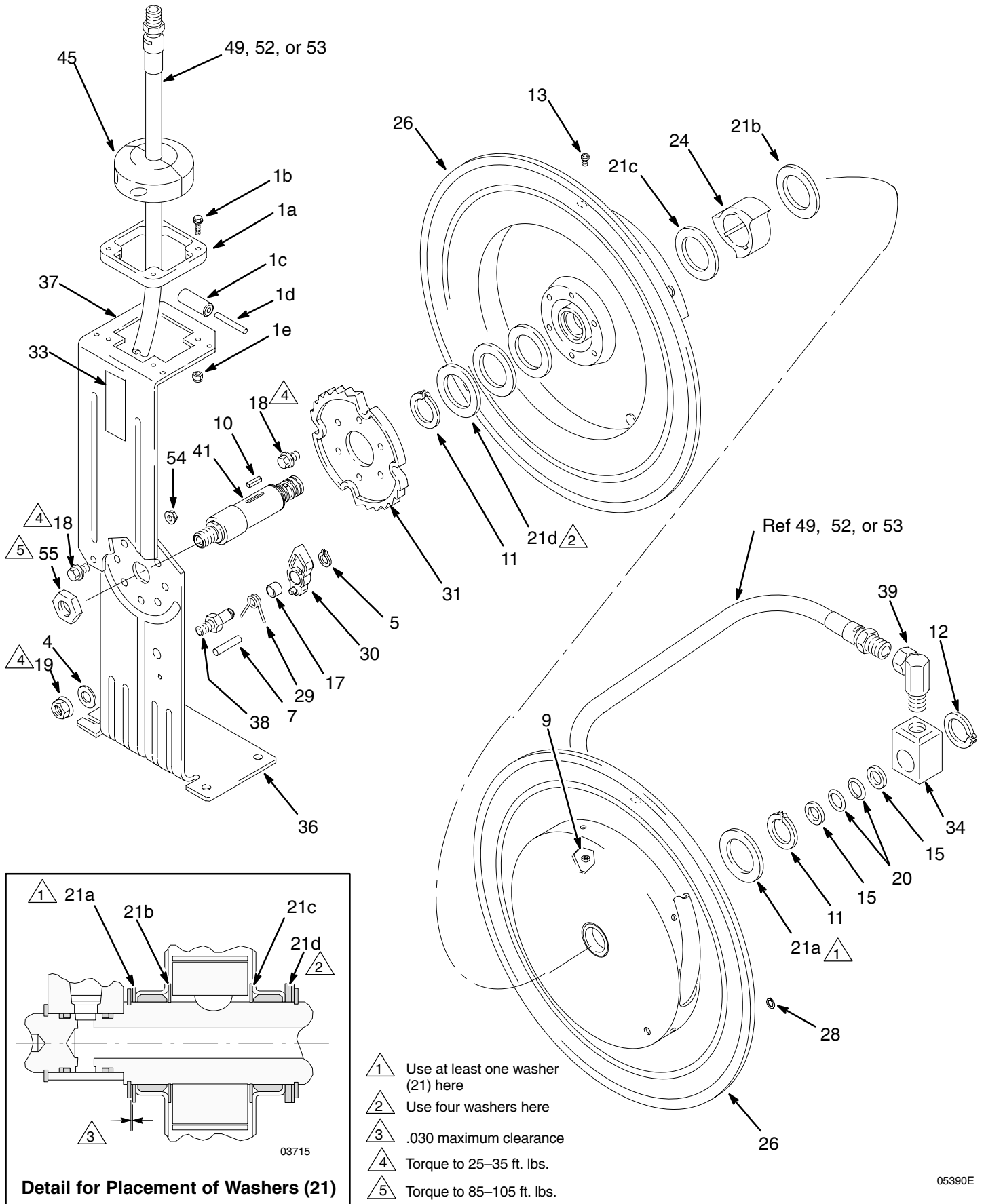
Ref No.	Part No.	Description	Qty
39	217430	UNION, swivel; 3/8 npt(m) x 1/2 npsm(f); for Models 237022, 256984, and 243983	1
	155494	UNION, swivel; 3/8 npt(m) x 3/8 npsm(f); for Model 238213	1
41	194030	REEL SHAFT; for Models 237020 237022, and 256984	1
	194036	REEL SHAFT; for Models 238213 and 243983	1
42▲	306297	TAG, information (not shown)	1
45	218340	HOSE STOP KIT; for Model 238213	1
	218341	HOSE STOP KIT; for Models 237022, 256984, and 243983	1
49	221093	HOSE, 1/2" ID, cpld 1/2 npt (mbe) 50 ft (15.25 m), 1800 psi (12.4 MPa, 124 bar) Maximum Working Pressure	1
52	249182	HOSE, 3/8" ID, cpld 3/8 npt (mbe) 60 ft (18.3 m), 180 psi (1.25 MPa, 12.5 bar) Maximum Working Pressure	1
53	248313	HOSE, 1/2" ID, cpld 1/2 npt (mbe) 50 ft (15.2 m), 180 psi (1.251 MPa, 12.5 bar) Maximum Working Pressure	1
54	110996	NUT, hex, flanged; 5/16–18	3
55	186580	NUT, hex; 1/2 npsm	1

\* These parts are also included in Repair Kit 224450, which may be purchased separately. Keep a repair kit on hand to reduce down time.

▲ Replacement Warning labels, tags, and cards are available at no cost.



# Parts Drawing – Low/Medium Pressure



# Parts List – High Pressure

## Model 237030, Series D

Bare hose reel  
Includes 4 to 46

## Model 237032, Series D

Hose reel with 50 ft (15.2 m), 5000 psi (34.5 MPa, 345 bar) hose Includes items 1 to 47, 49

## Model 256997, Series D

Hose reel with 50 ft (15.2 m), 5000 psi (34.5 MPa, 345 bar) hose Includes items 1 to 47, 49

## Model 237034, Series D

Hose reel with 50 ft (15.2 m), 4000 psi (27.6 MPa, 276 bar) hose Includes items 1 to 46, 51, 52

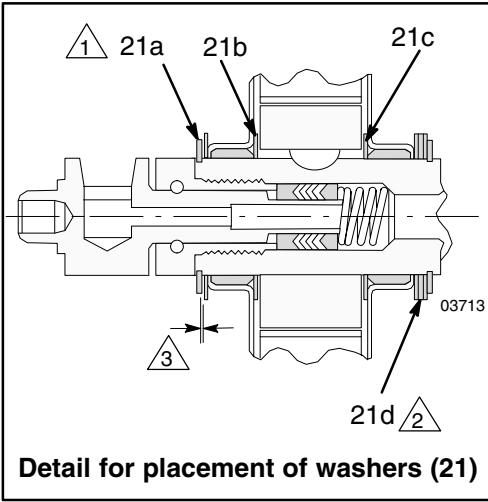
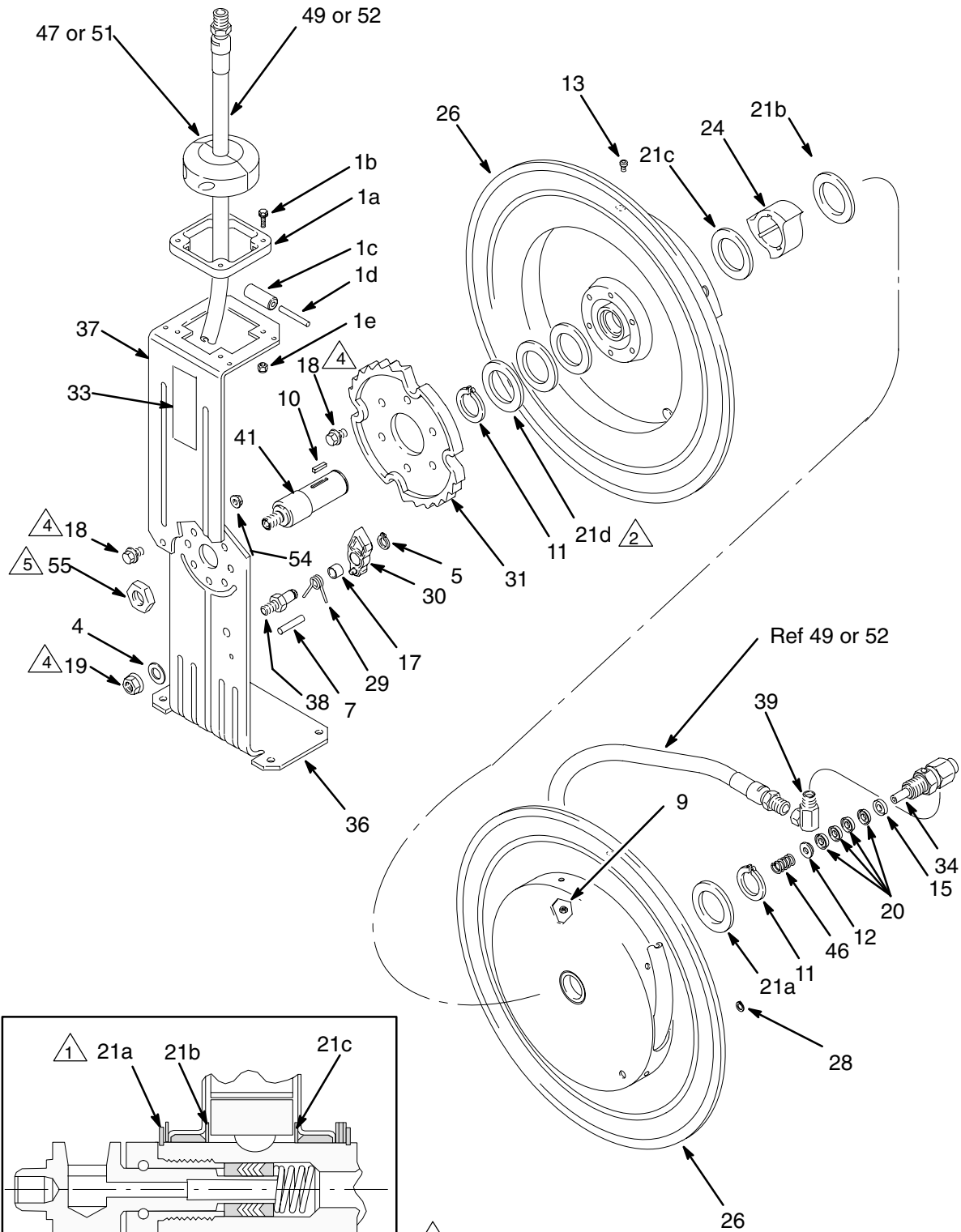
Ref No.	Part No.	Description	Qty
1	218591	HOSE ROLLER KIT; Includes items 1a to 1e	
1a	178675	• BRACKET, roller	1
1b	107439	• SCREW, machine; #10 x 3/4"	4
1c	178670	• ROLLER, hose	4
1d	178705	• PIN, dowel	4
1e	102920	• NUT, lock; #10	4
4	101044	WASHER	1
5	101079	RING, retaining	1
7	102039	PIN, straight	1
9	105332	NUT, lock, hex; M5 x 0.08"	6
10	113267	KEY, square, parallel; 3/16" x 1"	1
11	106082	RING, retaining, external	2
12*	150419	GLAND, male	1
13	106084	SCREW, machine; M5 x 10	6
15*	155938	GLAND, female	1
17	110974	BEARING	1
18	111800	SCREW, cap, flange head; 5/16–18 x 5/8"	9
19	112731	NUT, flanged, 1/2–13 UNC–2B	1
20*	150418	V-PACKING, leather	4
21	177679	WASHER, retaining	8
24	178681	HUB, reel	1
26		FLANGE SET, reel (may not be purchased separately)	1
28	111220	RING, retaining	1
29	186583	SPRING, torsion	1
30	276382	DOG, ratchet	1
31	276386	RATCHET	1
33▲	187034	LABEL, warning	1
34	201882	SWIVEL ASSEMBLY	1
35▲	189056	TAG, Warning (not shown)	1
36	198285	REEL PEDESTAL	1
37	15F311	ROLLER SUPPORT (includes item 33)	1

Ref No.	Part No.	Description	Qty
38	189984	STUD	1
39	15Y397	UNION, swivel; 3/8 npt	1
41	194035	REEL SHAFT	1
42▲	306297	TAG, information (not shown)	1
46*	167528	SPRING	1
47	222225	HOSE STOP KIT	1
49	109158	HOSE, 1/4" ID, cpld 1/4 x 3/8 npt (mbe), 50 ft (15.25 m), 5000 psi (34.5 MPa, 345 bar) Maximum Working Pressure	1
51	218340	HOSE STOP KIT	1
52	109170	HOSE, 3/8" ID, cpld 1/4 x 3/8 npt (mbe), 50 ft (15.25 m), 4000 psi (27.6 MPa, 276 bar) Maximum Working Pressure	1
54	110996	NUT, hex, flanged; 5/16–18	3
55	186579	NUT, hex; 3/8 npsm	1

\* These parts are also included in Repair Kit 237094, which may be purchased separately. Keep a repair kit on hand to reduce down time.

▲ Replacement Warning labels, tags and cards are available at no cost.

# Parts Drawing – High Pressure



- ▲ 1 Use at least one washer (21) here
- ▲ 2 Use four washers here
- ▲ 3 .030 maximum clearance
- ▲ 4 Torque to 25–35 ft. lbs.
- ▲ 5 Torque to 85–105 ft. lbs.

05392F

# Accessories – Mounting

*Must be purchased separately. Use only genuine Graco parts and accessories.*

*Order mounting hardware as needed per items 1 and 2 below.*

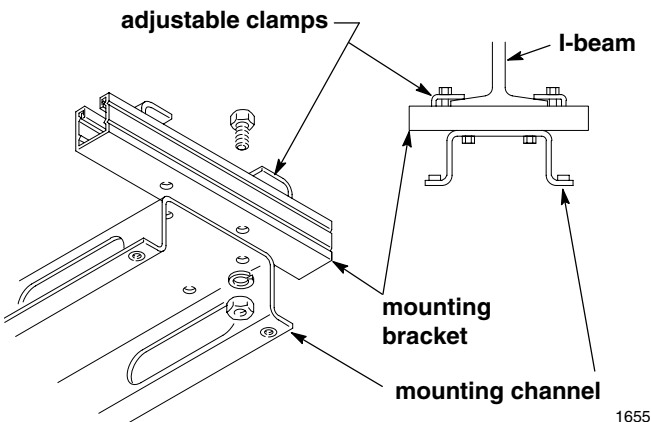
## 1: Mounting Bracket 204741

Secures mounting channel to I-beam without holes drilled in I-beam. Bracket fits all standard I-beams with flanges up to 7 in. (178 mm). Mount the bracket to the mounting channel before securing it to the I-beam. This mounting bracket will work on 1- to 6-reel mounting channels. Screws, lockwashers, and nuts are included.

### NOTE:

For one to three reels, **two** of 204741 are required.

For four to six reels, **three** of 204741 are required.

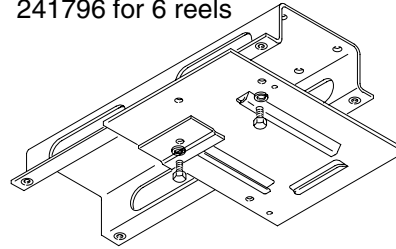


## 2: Mounting Channels

For mounting open hose reels to ceiling. Includes mounting channel, base plate, hold down plate, cap screws (3/8–16 UNC –2a X 0.625 in), lockwashers, and weldnuts on channel.

241791 for 1 reel  
241792 for 2 reels  
241793 for 3 reels

241794 for 4 reels  
241795 for 5 reels  
241796 for 6 reels



# Accessories

## Hose Inlet Kits

### Low-Pressure Reels 218549

Includes items 402–403

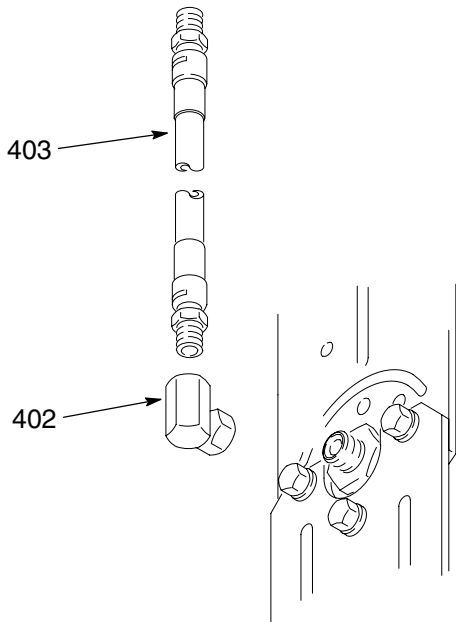
Ref. No.	Part No.	Description	Qty.
402	157416	UNION, 90°; 1/2 npt(f) x 1/2 npsm (f) swivel	1
403	214601	HOSE, fluid, buna-N; 1/2" ID; cpld 1/2 npt(mbe); 24" (610 mm) long	1

### High-Pressure Reels 224417

Includes items 402–403

Ref. No.	Part No.	Description	Qty.
402	155677	UNION, 90°; 3/8 npt(f) x 3/8 npsm(f) swivel	1
403	109147	HOSE, 1/4" ID x 24" (610 mm) long; cpld 3/8 npt(mbe)	1

**NOTE:** The air and fluid accessories required for your pump must be properly sized to that pump. Refer to your specific pump manual for selecting pump accessories.



1642C

## High-Pressure Reels 218550

Includes items 402–403

Ref. No.	Part No.	Description	Qty.
402	155677	UNION, 90°; 3/8 npt(f) x 3/8 npsm(f) swivel	1
403	109161	HOSE, fluid; buna-N; 3/8" ID; cpld 3/8 npt(mbe); 24" (609.6 mm) long	1

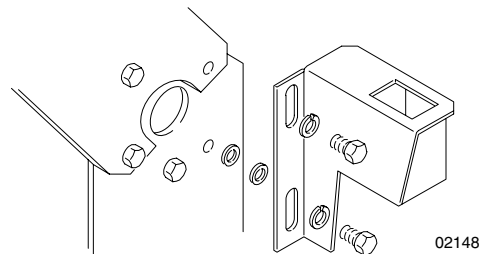
## Identification Labels 180698

Sheet of 14 sticky-back labels for labeling hose reels. Includes labels for the following:

SAE 10–40	SAE 20W	HYDRAULIC	AIR
SAE 10–30	SAE 30W	ANTIFREEZE	ATF
SAE 5–40	DEXRON	CHASSIS	
SAE 10W	WATER	GEAR	

## Valve Hanger Kit 224444

Mounts to side of hose reel for hanging dispensing valves.



02148



# Technical Data

## Low-Pressure Hose Reels, Bare Reel

Inlet ..... 1/2 npsm(m)  
 Outlet ..... 1/2 npsm(f)  
 \* Maximum sound pressure ..... 85 dB(A)  
 Operating temperature ..... -40° F to 200° F  
 Bearings ..... brass  
 Wetted parts ..... carbon steel, nitrile rubber, brass  
 Dry weights  
   Models 238213 and 256983 ..... 55.5 lb (25.2 kg)  
   Model 243983 ..... 55.1 lb (25.0 kg)

## Medium-Pressure Hose Reels, Bare Reel

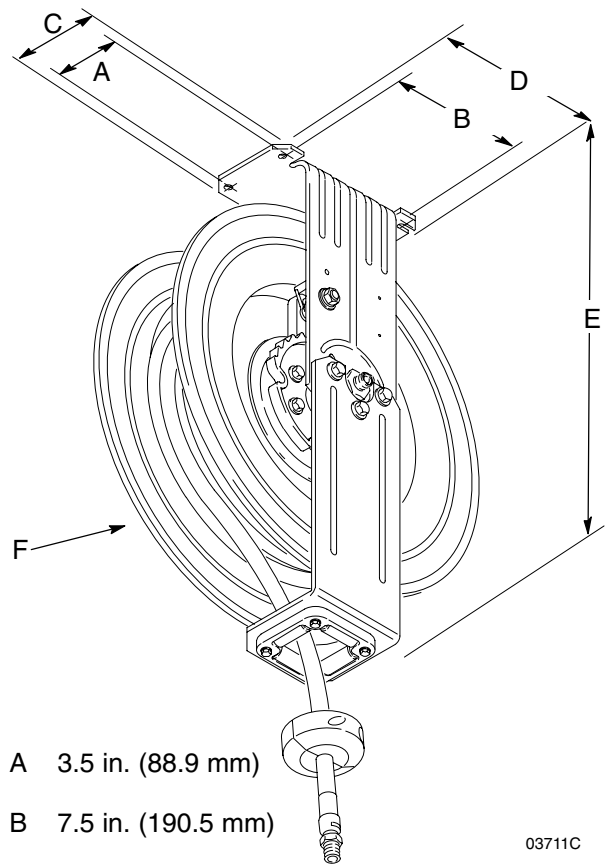
Inlet ..... 1/2 npsm(m)  
 Outlet ..... 1/2 npsm(f)  
 \* Maximum sound pressure ..... 85 dB(A)  
 Operating temperature ..... -40° F to 200° F  
 Bearings ..... brass  
 Wetted parts ..... carbon steel, nitrile rubber, brass  
 Dry weights  
   Model 237020 ..... 45.0 lb (20.3 kg)  
   Models 237022 and 256984 ..... 54.5 lb (24.5 kg)

## High-Pressure Hose Reels, Bare Reel

Inlet ..... 3/8 npsm(m)  
 Outlet ..... 3/8 npsm(f)  
 \* Maximum sound pressure ..... 85 dB(A)  
 Operating temperature ..... -40° F to 200° F  
 Bearings ..... brass  
 Wetted parts ..... carbon steel, leather, brass  
 Dry weights  
   Model 237030 ..... 45.0 lb (20.3 kg)  
   Models 237032 and 256997 ..... 54.5 lb (24.5 kg)  
   Model 237034 ..... 54.0 lb (24.3 kg)

\* *Sound pressure readings taken at assumed maximum retraction rate from assumed operator position.*

# Dimensions



- A 3.5 in. (88.9 mm)
- B 7.5 in. (190.5 mm)
- C 4.75 in. (120.7 mm)
- D 9.0 in. (228.6 mm)
- E 24.75 in. (628 mm)
- F 20.0 in. (508 mm) diameter

03711C

# Graco Standard Warranty

Graco warrants all equipment manufactured by Graco and bearing its name to be free from defects in material and workmanship on the date of sale to the original purchaser for use. With the exception of any special, extended, or limited warranty published by Graco, Graco will, for a period of twelve months from the date of sale, repair or replace any part of the equipment determined by Graco to be defective. This warranty applies only when the equipment is installed, operated and maintained in accordance with Graco's written recommendations.

This warranty does not cover, and Graco shall not be liable for general wear and tear, or any malfunction, damage or wear caused by faulty installation, misapplication, abrasion, corrosion, inadequate or improper maintenance, negligence, accident, tampering, or substitution of non-Graco component parts. Nor shall Graco be liable for malfunction, damage or wear caused by the incompatibility of Graco equipment with structures, accessories, equipment or materials not supplied by Graco, or the improper design, manufacture, installation, operation or maintenance of structures, accessories, equipment or materials not supplied by Graco.

This warranty is conditioned upon the prepaid return of the equipment claimed to be defective to an authorized Graco distributor for verification of the claimed defect. If the claimed defect is verified, Graco will repair or replace free of charge any defective parts. The equipment will be returned to the original purchaser transportation prepaid. If inspection of the equipment does not disclose any defect in material or workmanship, repairs will be made at a reasonable charge, which charges may include the costs of parts, labor, and transportation.

**THIS WARRANTY IS EXCLUSIVE, AND IS IN LIEU OF ANY OTHER WARRANTIES, EXPRESS OR IMPLIED, INCLUDING BUT NOT LIMITED TO WARRANTY OF MERCHANTABILITY OR WARRANTY OF FITNESS FOR A PARTICULAR PURPOSE.**

Graco's sole obligation and buyer's sole remedy for any breach of warranty shall be as set forth above. The buyer agrees that no other remedy (including, but not limited to, incidental or consequential damages for lost profits, lost sales, injury to person or property, or any other incidental or consequential loss) shall be available. Any action for breach of warranty must be brought within two (2) years of the date of sale.

Graco makes no warranty, and disclaims all implied warranties of merchantability and fitness for a particular purpose in connection with accessories, equipment, materials or components sold but not manufactured by Graco. These items sold, but not manufactured by Graco (such as electric motors, switches, hose, etc.), are subject to the warranty, if any, of their manufacturer. Graco will provide purchaser with reasonable assistance in making any claim for breach of these warranties.

In no event will Graco be liable for indirect, incidental, special or consequential damages resulting from Graco supplying equipment hereunder, or the furnishing, performance, or use of any products or other goods sold hereto, whether due to a breach of contract, breach of warranty, the negligence of Graco, or otherwise.

## **FOR GRACO CANADA CUSTOMERS**

The parties acknowledge that they have required that the present document, as well as all documents, notices and legal proceedings entered into, given or instituted pursuant hereto or relating directly or indirectly hereto, be drawn up in English. Les parties reconnaissent avoir convenu que la rédaction du présente document sera en Anglais, ainsi que tous documents, avis et procédures judiciaires exécutés, donnés ou intentés à la suite de ou en rapport, directement ou indirectement, avec les procédures concernées.

## Graco Information

For the latest information about Graco products, visit [www.graco.com](http://www.graco.com).

**TO PLACE AN ORDER**, contact your Graco distributor or call to identify the distributor closest to you:

**Phone:** 612-623-6928 or **Toll Free:** 1-800-533-9655 **Fax:** 612-378-3590

*All written and visual data contained in this document reflects the latest product information available at the time of publication. Graco reserves the right to make changes at any time without notice.*

Original instructions. This manual contains English. MM 308400

**Graco Headquarters:** Minneapolis  
**International Offices:** Belgium, China, Japan, Korea

**GRACO INC. P.O. BOX 1441 MINNEAPOLIS, MN 55440-1441**

Copyright 1990, Graco Inc. is registered to ISO 9001

[www.graco.com](http://www.graco.com)

Revised 03/2010