



LRC7225G

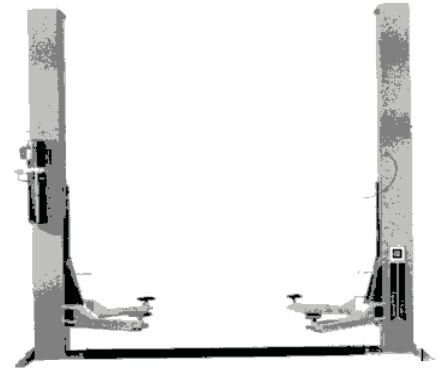
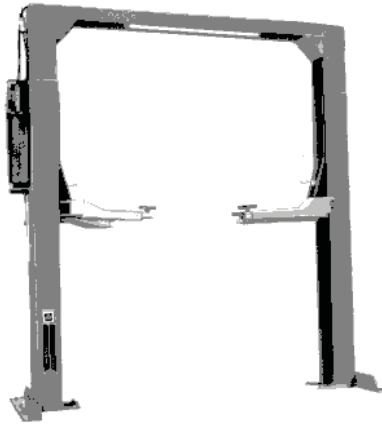
Lift Repair Catalog

S V I International, Inc. - Lift Repair Catalog

2004



For Challenger / VBM Lifts



MODEL	PAGE
20000	2-4
21000	5-7
26000	8-10
27000	11-13
27000 Plus	14-16
28000	17-19
30000	20-22
31000 Spirit	23-25
31000	26-28
33000	29-31
35000	32-34
36000	35-37

MODEL	PAGE
39000	35-36, 38
70000	38-40
Lock Latch and Slider Blocks	41
Arm Assemblies	42-43
24009	44-47
24012	48-51
24022	52-53
64000	54
65000	55
CL-9	56
CS9200	57-59
Height Extensions	60

Entire Contents Copyright © SVI International, Inc. 2004

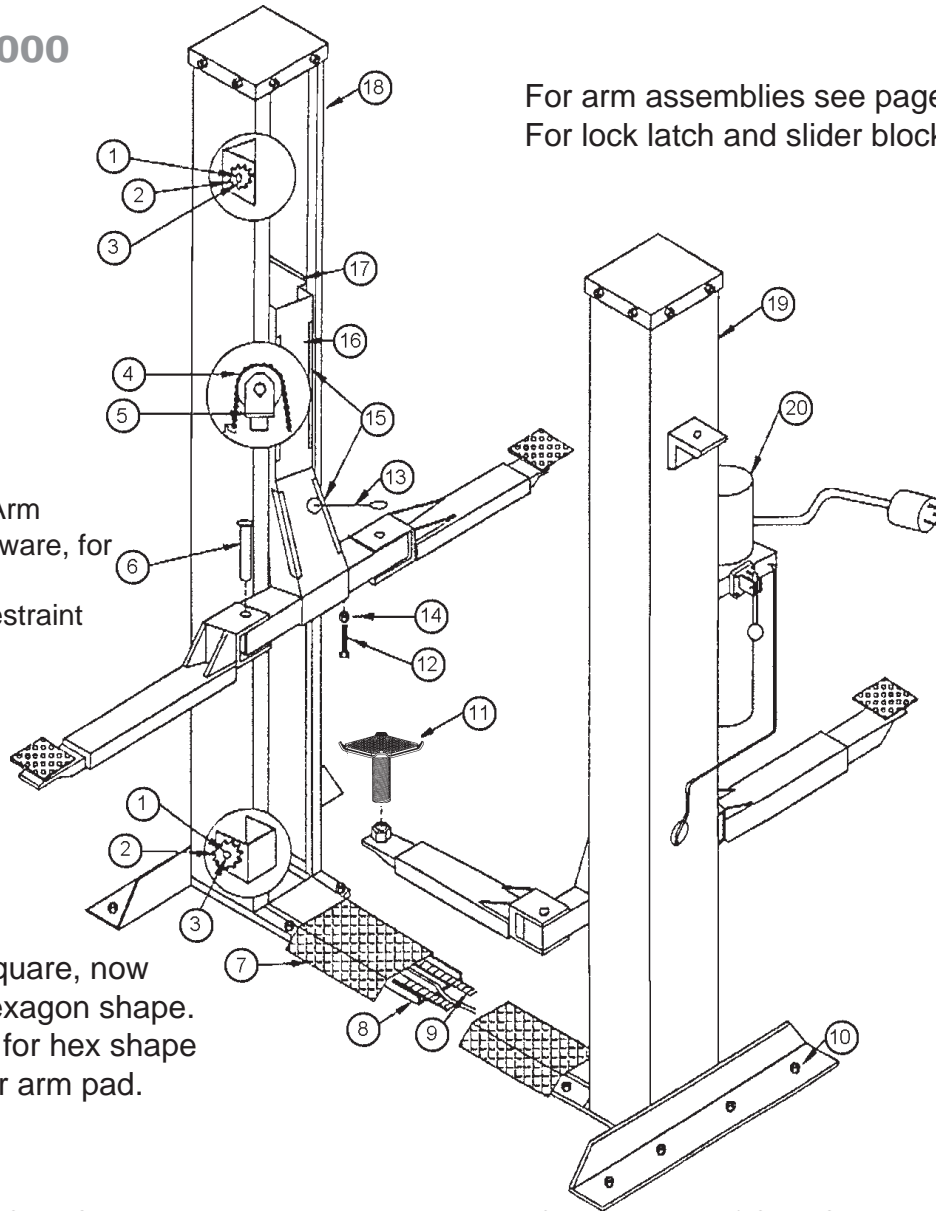
To Order Call: 800-321-8173 or 630-844-5566 / Fax: 800-899-1784 or 630-844-6770

All names, numbers, symbols and descriptions are used for reference purposes only. It is not implied that any part listed is the product of these manufacturers, however, some parts may be the actual product of these manufacturers.



lift repair parts for Challenger / VBM lifts

for Model 20000
7000 lb. capacity



For arm assemblies see page 42.
For lock latch and slider block see page 41.

Arm Restraint Kits:
Order BH-7226-25, Arm Restraint Kit W/Hardware, for individual arm or BH-7226-57, Arm Restraint Kit for complete lift.

Adapter pictured square, now only available in hexagon shape. Order BH-7225-01 for hex shape replacement rubber arm pad.

Item S V I	Ref. OEM	Qty	
No. Part Number	Part No.	Req.	Description
1	BH-7229-11	31070	10 Eq. Chain Sprocket Washer
2	BH-7225-09	26008	6 Eq. Chain Sprocket
3	BH-7225-16	31021	10 1-3/8 External Snap Ring
4	BH-7028	30019	74 3/4 Leaf Chain - Need two 74 pitch pcs if doing complete lift.
5	BH-7229-04	31033	2 Cylinder Rod End Assembly
6	BH-7225-15	31134	4 Arm Pin 1-1/2" x 6"
6	BH-7225-15A		4 Arm Pin - Call W/Size
6	BH-7225-15B		4 Arm Pin - Call W/Size
6	BH-7225-15C		4 Arm Pin - Call W/Size
7	BH-7225-07A	26003P	1 Drive Over Plate Only
8	BH-7225-08	26003T	1 Drive Over Trough Only
9	BH-7226-29	26061	2 #80 Roller Chain 80 Pitches

Item S V I	Ref. OEM	Qty	
No. Part Number	Part No.	Req.	Description
10	BH-7075-03	31058	12 Anchor Bolt 3/4 X 5-1/2
11	BH-7225-03	31133	4 Adapter 3-1/2" w/Rubber Pad
12	F-HN-0500-13	200166	2 1/2" Stop Bolt
13	BH-7226-01	31150/51	2 Safety Latch Release Handle
14	F-JN-0500-13	200202	2 Jam Nut For Stop Bolt
15	BH-7225-14	31056	1 Rubber Door Guards (6)
16	BH-7225-24	200056	2 Carriage Assembly
16	BH-7225-29	200111	2 Carriage Weldment Only
17	BH-7225-23	31023	16 Slider UHMW W/Metal Insert
18	BH-7227-43	200107	1 Idler Side Column Complete
19	BH-7227-44	200124	1 Power Side Column Complete
20	BH-7006-01		1 2HP 1PH 3.5 Gal Power Unit
20	BH-7006-03		1 2HP 3PH 3.5 Gal Power Unit

To Order Call: 800-321-8173 or 630-844-5566 / Fax: 800-899-1784 or 630-844-6770

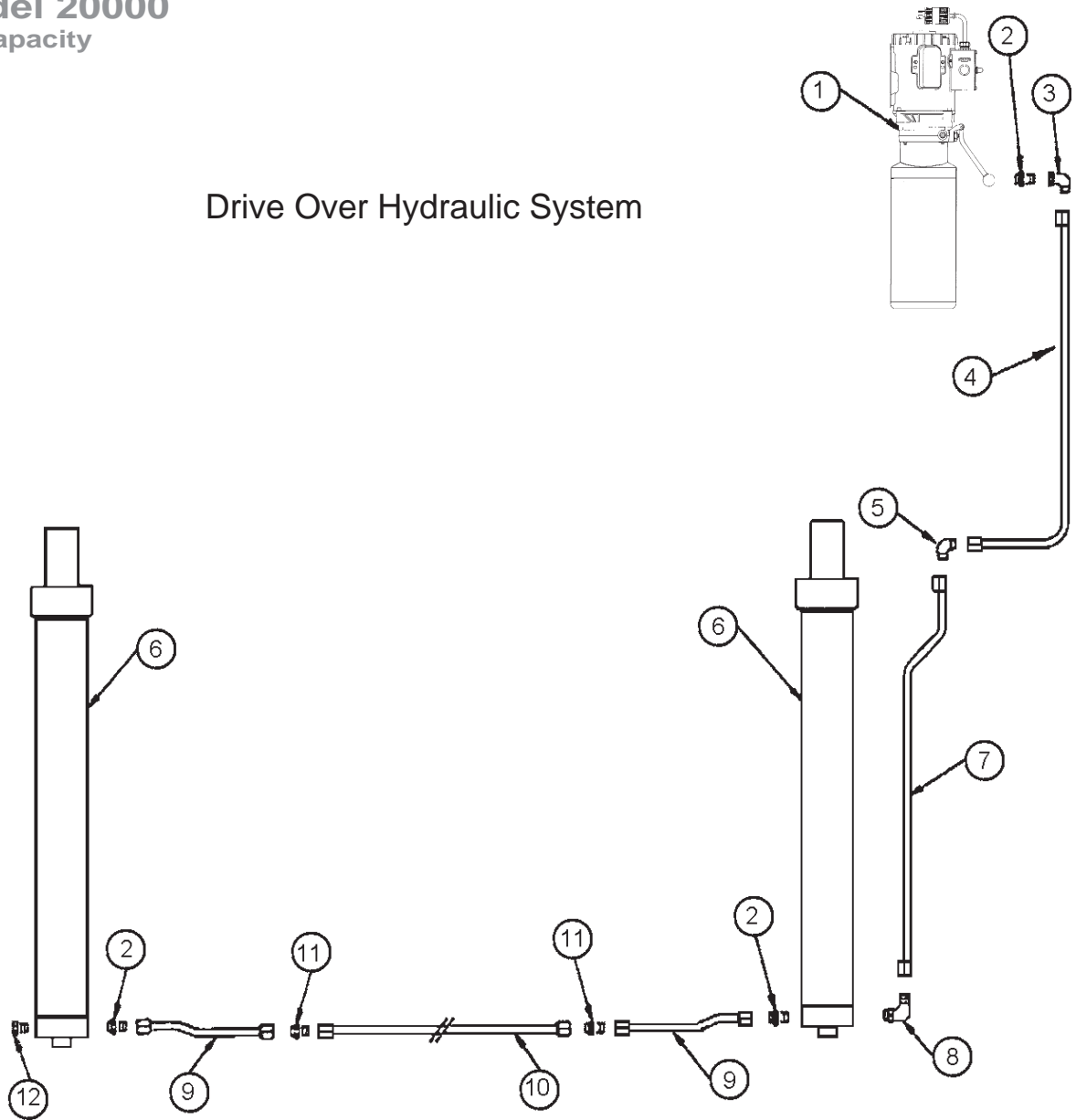
All names, numbers, symbols and descriptions are used for reference purposes only. It is not implied that any part listed is the product of these manufacturers, however, some parts may be the actual product of these manufacturers.



lift repair parts for Challenger / VBM lifts

for Model 20000
7000 lb. capacity

Drive Over Hydraulic System



Item S V I	Ref. OEM	Qty	
No. Part Number	Part No. Req.	Description	
1	BH-7006-01	1	2HP 1PH 3.5 Gal Power Unit
1	BH-7006-03	1	2HP 3PH 3.5 Gal Power Unit
2	BH-7230-74	36048	3 O-Ring Union
3	BH-7227-45	36051	1 90° Swivel Elbow
4	BH-7228-10	31065	1 Hyd Line. Power Unit-Column
5	BH-7227-46	200007	1 90° Elbow. Tube to Tube
6*	BH-7225-10	200001	2 Hydraulic Cylinder-Need Serial #

Item S V I	Ref. OEM	Qty	
No. Part Number	Part No. Req.	Description	
7	BH-7228-03	200038	1 Call For Details
8	BH-7228-45	31116	1 90° Elbow. O-Ring to Tube
9	BH-7228-07	26027	2 Hyd Line. Cyl. to Drive Over
10	BH-7228-01	26017	1 Hydraulic Line Drive Over
11	BH-7229-61	31047	2 Straight Union
12	BH-7228-47	200058	1 Hydraulic O-Ring Plug

* Call with serial number to order seal kit.

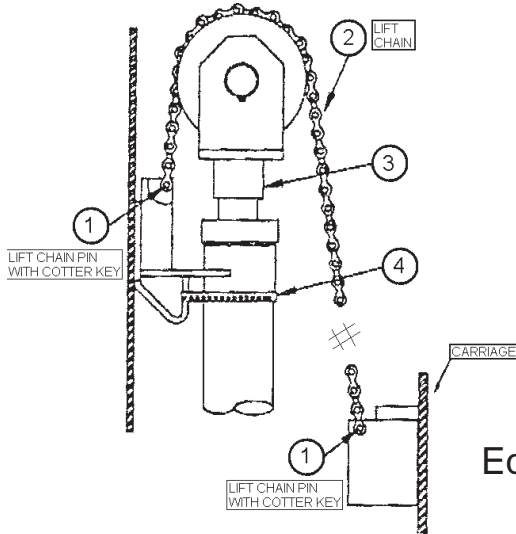
To Order Call: 800-321-8173 or 630-844-5566 / Fax: 800-899-1784 or 630-844-6770

All names, numbers, symbols and descriptions are used for reference purposes only. It is not implied that any part listed is the product of these manufacturers, however, some parts may be the actual product of these manufacturers.

lift repair parts for Challenger / VBM lifts

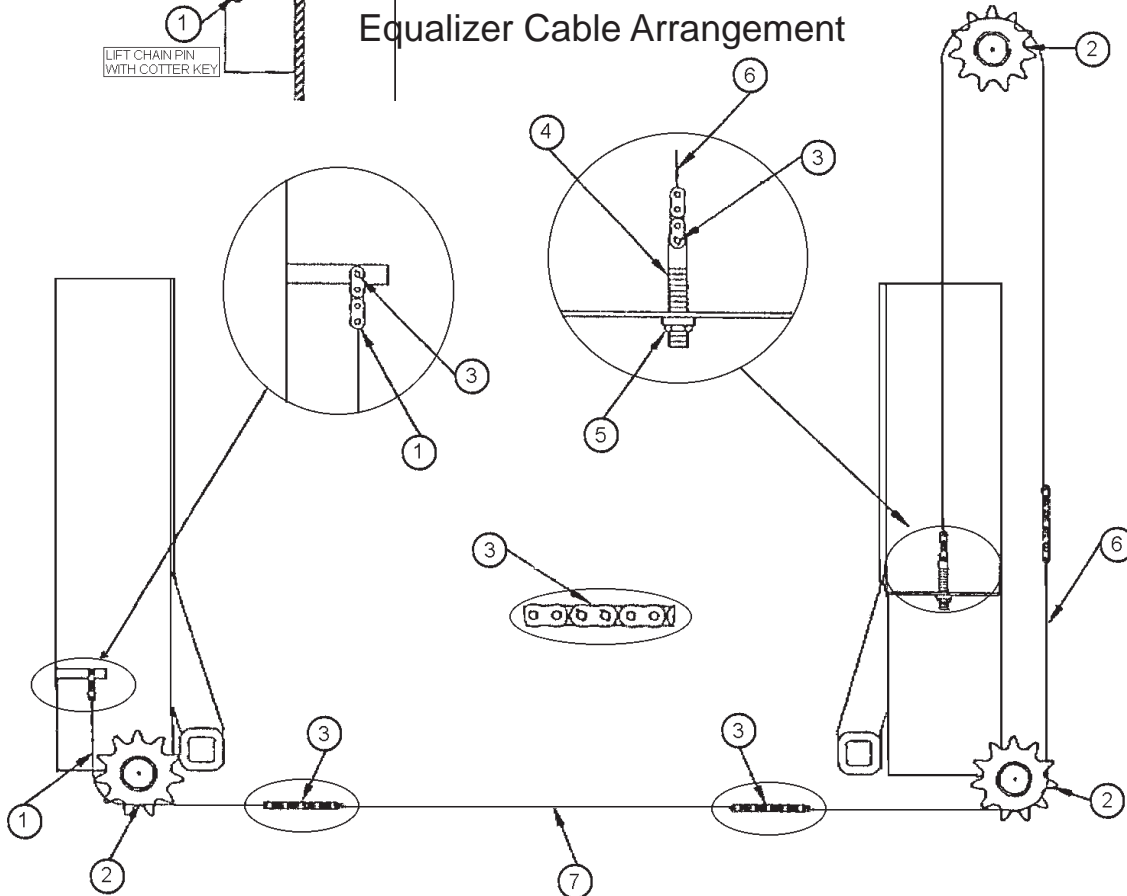
for Model 20000
7000 lb. capacity

Drive Chain Assembly



Item S V I No.	Part Number	Ref. OEM Part No.	Qty Req.	Description
1	BH-7229-09	30030	4	Lift Chain Pin BL 634
2	BH-7028	30019	74	3/4 Leaf Chain - Need two 74 pitch pcs if doing complete lift.
3	BH-7229-04	31033	2	Cylinder Rod End Assembly
4	BH-7225-19	200047	2	Hydraulic Cylinder Clamp

Equalizer Cable Arrangement



Item S V I No.	Part Number	Ref. OEM Part No.	Qty Req.	Description
1	BH-7229-06	26046	2	Eq Chain Lower 28 Pitches
2	BH-7225-09	26008	6	Eq Chain Sprocket
3	BH-7226-61	11036	8	Master Link For Eq Chain
4	BH-7225-18	26054	2	Adj Stud For Eq Chain

Item S V I No.	Part Number	Ref. OEM Part No.	Qty Req.	Description
5	F-NL-0875-14	26055	2	7/8-14 Adjustment Lug
6	BH-7229-05	26053	2	Chain Upper 201 Pitches
7	BH-7226-29	26061	2	Roller Chain 80 Pitches

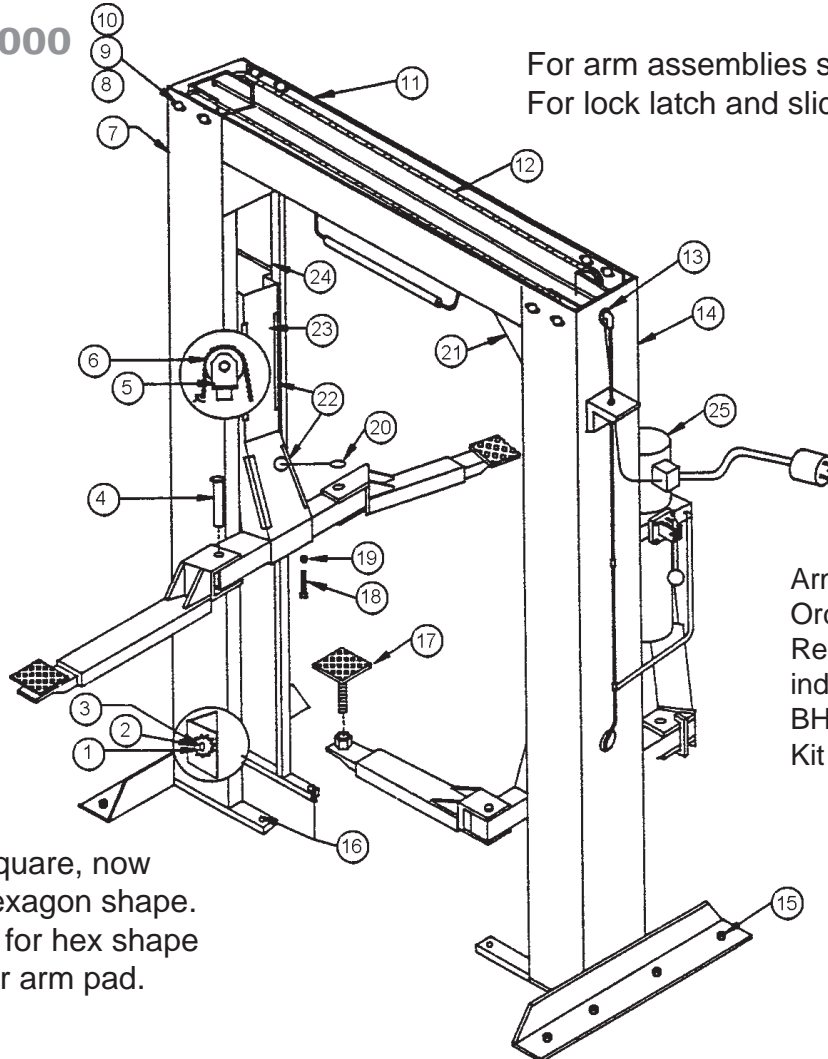
To Order Call: 800-321-8173 or 630-844-5566 / Fax: 800-899-1784 or 630-844-6770

All names, numbers, symbols and descriptions are used for reference purposes only. It is not implied that any part listed is the product of these manufacturers, however, some parts may be the actual product of these manufacturers.



lift repair parts for Challenger / VBM lifts

for Model 21000
7000 lb. capacity



For arm assemblies see page 42.
For lock latch and slider block see page 41.

Arm Restraint Kits:
Order BH-7226-25, Arm Restraint Kit W/Hardware, for individual arm or BH-7226-57, Arm Restraint Kit for complete lift.

Adapter pictured square, now only available in hexagon shape. Order BH-7225-01 for hex shape replacement rubber arm pad.

Item S V I	Ref. OEM	Qty	
No. Part Number	Part No.	Req.	Description
1	BH-7228-48	200011	10 Snap Ring
2	BH-7225-09	26008	6 Eq Chain Sprocket
3	BH-7229-11	31070	10 Eq Chain Sprocket Washer
4	BH-7225-15	31134	4 Arm Pin 1-1/2" x 6"
4	BH-7225-15A		4 Arm Pin - Call W/Size
4	BH-7225-15B		4 Arm Pin - Call W/Size
4	BH-7225-15C		4 Arm Pin - Call W/Size
5	BH-7229-04	31033	2 Cylinder Rod End Assembly
6	BH-7028	30019	74 3/4 Leaf Chain - Need two 74 pitch pcs if doing complete lift.
7	BH-7228-49	210017	1 Complete Idler Side Column
8	BH-7228-51	210029	8 Flat Washer for Overhead
9	BH-7228-52	210028	8 Nut for Overhead
10	BH-7228-53	210027	8 Bolt for Overhead
11	BH-7225-63	210003	1 Overhead Channel Assembly
12		210023	2 Eq Chain 269 Pitches - See SVI's LRC7020 chain booklet.

Item S V I	Ref. OEM	Qty	
No. Part Number	Part No.	Req.	Description
13	BH-7225-66	210021	2 Rubber Grommet Top
14	BH-7228-54	210019	1 Complete Power Side Column
15	BH-7075-03	31058	8 Anchor Bolt 3/4 x 5-1/2
16	BH-7228-55	210047	4 Plastic Base Plug
17	BH-7225-03	31133	4 Adapter 3-1/2 W/Rubber Pad
18	F-HN-0500-13	200166	2 1/2" Stop Bolt
19	F-JN-0500-13	200202	2 Jam Nut for Stop Bolt
20	BH-7226-01	31150/51	2 Safety Latch Release Handle
21	BH-7225-64	210004	2 Gusset for Overhead
22	BH-7225-14	31056	1 Rubber Door Guard (6)
23	BH-7225-62	210002	2 Carriage Assembly
23	BH-7225-61	210001	2 Carriage Weldment Only
24	BH-7225-23	31023	16 Slider UHMW W/Metal Insert
25	BH-7006-01		1 2HP 1PH 3.5 Gal Power Unit
25	BH-7006-03		1 2HP 3PH 3.5 Gal Power Unit

To Order Call: 800-321-8173 or 630-844-5566 / Fax: 800-899-1784 or 630-844-6770

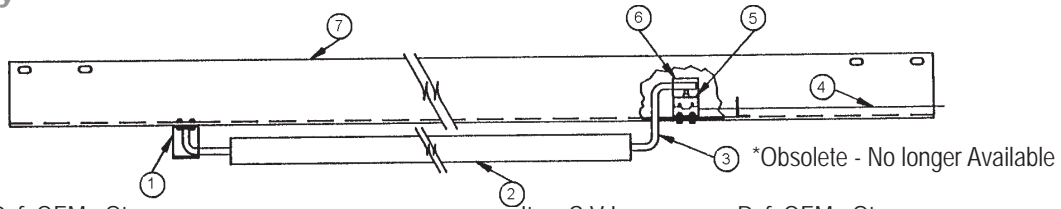
All names, numbers, symbols and descriptions are used for reference purposes only. It is not implied that any part listed is the product of these manufacturers, however, some parts may be the actual product of these manufacturers.



lift repair parts for Challenger / VBM lifts

for Model 21000
7000 lb. capacity

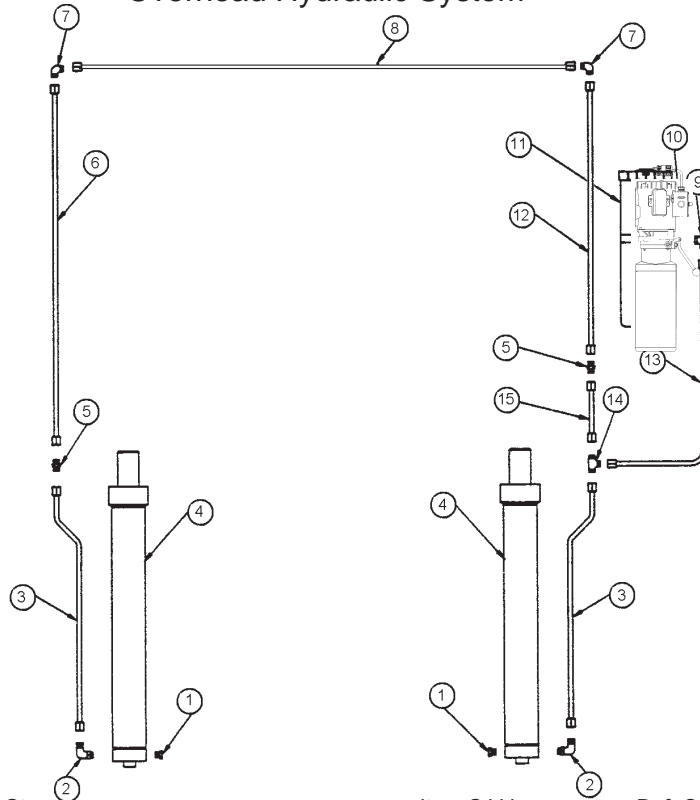
Shutoff Bar Assembly



Item S V I	Ref. OEM	Qty		
No.	Part Number	Part No.	Req.	Description
1	BH-7225-75	31063	1	Pivot Bracket
2	BH-7225-68	31129	1	Cushion 1/2 Shutoff Bar
3*	BH-7225-72	31064	1	Cushion Square Shutoff Bar

Item S V I	Ref. OEM	Qty		
No.	Part Number	Part No.	Req.	Description
4	BH-7225-70	210031	1	Overhead Wire 5'
5	BH-7225-73	31166	1	Limit Switch Overhead Square
6	BH-7225-74	31164	1	Limit Switch Bracket
7	BH-7225-63	210003	1	Overhead Channel Assembly

Overhead Hydraulic System



Item S V I	Ref. OEM	Qty		
No.	Part Number	Part No.	Req.	Description
1	BH-7228-47	200058	2	Hydraulic O-Ring Plug
2	BH-7228-56	200008	2	90° Connector O-Ring x Tube
3	BH-7228-03	200038	2	Hydraulic Line Cyl to Column
4*	BH-7225-10	200001	2	Hydraulic Cylinder-Need Serial #
5	BH-7229-61	31047	2	Straight Union
6	BH-7228-15	210013	1	Hyd Line Overhead to Idle Col
7	BH-7227-46	200007	2	90° Elbow Tube x Tube
8	BH-7228-12	210007	1	Hydraulic Line Overhead

Item S V I	Ref. OEM	Qty		
No.	Part Number	Part No.	Req.	Description
9	BH-7228-58	200025	1	90° Swivel Elbow
10	BH-7230-74	36048	1	O-Ring Union
11	BH-7006-01		1	2HP 1PH 3.5 Gal Power Unit
11	BH-7006-03		1	2HP 3PH 3.5 Gal Power Unit
12	BH-7228-16	210014	1	Hyd Line Tee to Overhead Power
13	BH-7228-10	200241	1	Hyd Line Power Unit to Col
14	BH-7226-83	31032	1	Union Tee Parker
15	BH-7228-18	210022	1	Hydraulic Line Extension

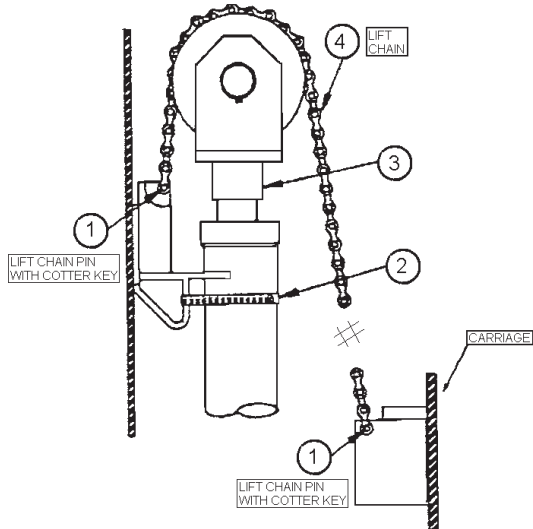
* Call with serial number to order seal kit.

To Order Call: 800-321-8173 or 630-844-5566 / Fax: 800-899-1784 or 630-844-6770

All names, numbers, symbols and descriptions are used for reference purposes only. It is not implied that any part listed is the product of these manufacturers, however, some parts may be the actual product of these manufacturers.

lift repair parts for Challenger / VBM lifts

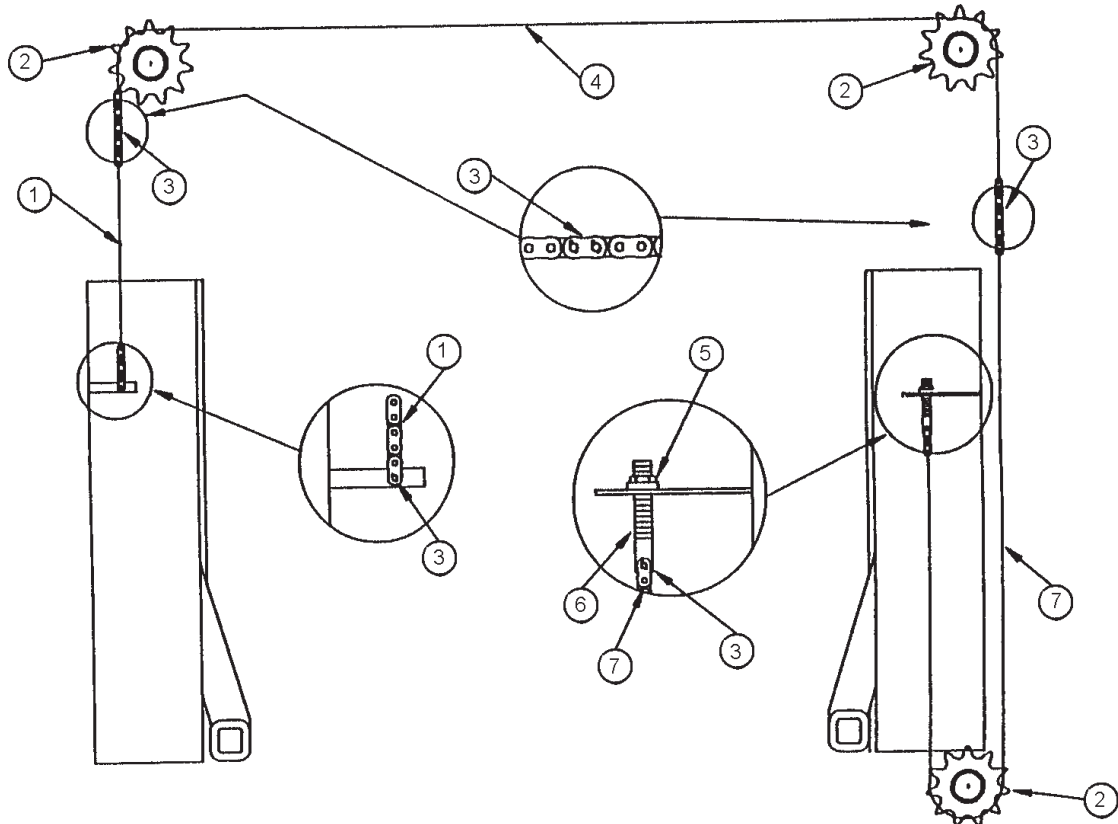
for Model 21000
7000 lb. capacity



Drive Chain Assembly

Item S V I No.	Part Number	Ref. OEM Part No.	Qty Req.	Description
1	BH-7229-09	30030	4	Lift Chain Pin
2	BH-7225-19	200047	2	Hydraulic Cylinder Clamp
3	BH-7229-04	31033	2	Cylinder Rod End Assembly
4	BH-7028	30019	74	3/4 Leaf Chain - Need two 74 pitch pcs if doing complete lift.

Equalizer Cable Arrangement



Item S V I No.	Part Number	Ref. OEM Part No.	Qty Req.	Description
1	BH-7229-06	26046	2	Eq Chain Lower 28 pitch
2	BH-7225-09	26008	6	Eq Chain Sprocket
3	BH-7226-61	11035	8	Master Link
4		210023	2	Eq Overhead Chain 269 Pitches See SVI's LRC7020 chain book.

Item S V I No.	Part Number	Ref. OEM Part No.	Qty Req.	Description
5	F-NI-0875-14	26055	2	7/8-14 Adjustment Lug
6	BH-7225-18	26054	2	Adj Stud for Eq Chain
7		210011	2	Eq Chain Upper 110 Pitches See SVI's LRC7020 chain book.

To Order Call: 800-321-8173 or 630-844-5566 / Fax: 800-899-1784 or 630-844-6770

All names, numbers, symbols and descriptions are used for reference purposes only. It is not implied that any part listed is the product of these manufacturers, however, some parts may be the actual product of these manufacturers.

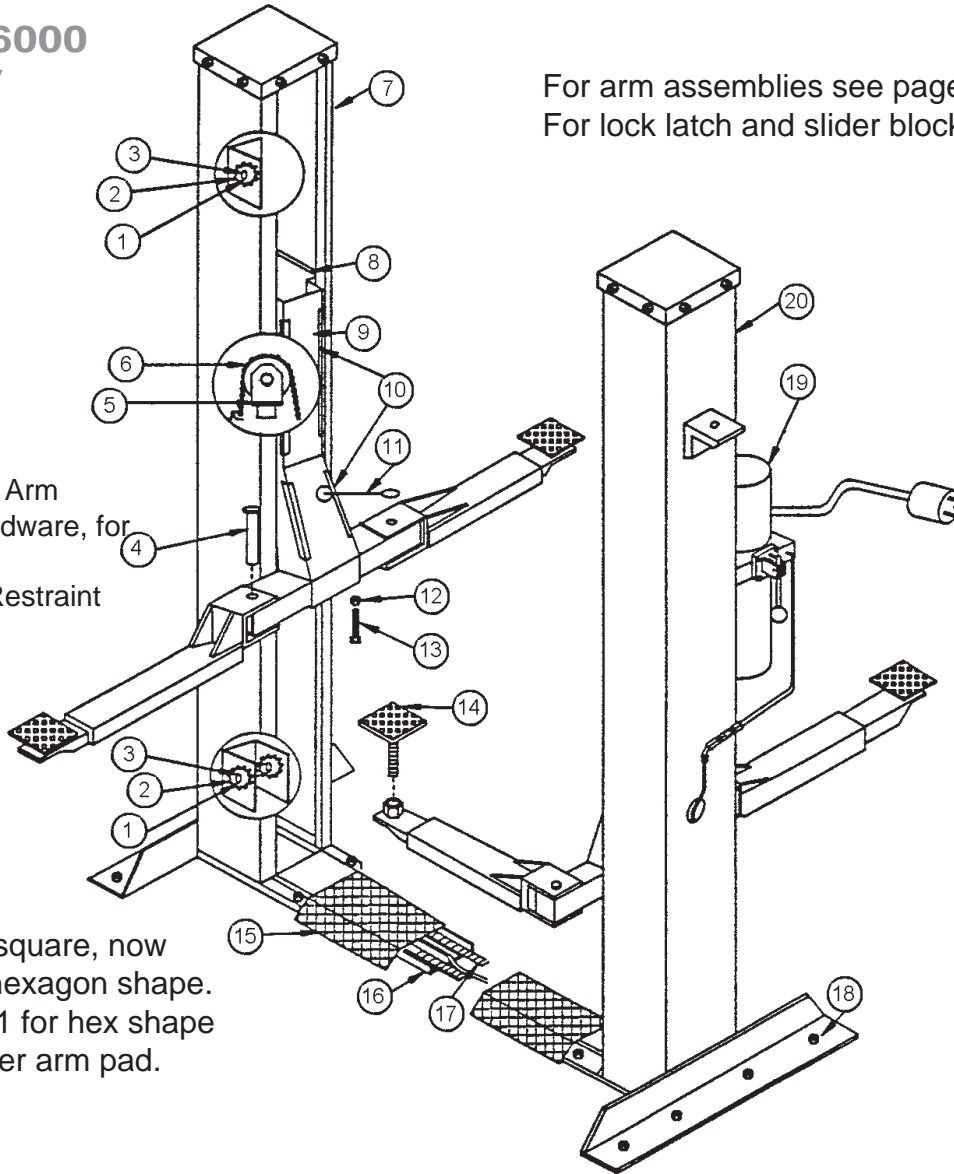
lift repair parts for Challenger / VBM lifts

for Model 26000
9000 lb. capacity

For arm assemblies see page 42.
For lock latch and slider block see page 41.

Arm Restraint Kits:
Order BH-7226-25, Arm Restraint Kit W/Hardware, for individual arm or BH-7226-57, Arm Restraint Kit for complete lift.

Adapter pictured square, now only available in hexagon shape. Order BH-7225-01 for hex shape replacement rubber arm pad.



Item S V I	Ref. OEM	Qty		
No. Part Number	Part No.	Req.	Description	
1	BH-7228-48	200011	10	Snap Ring
2	BH-7225-09	26008	6	Eq Chain Sprocket
3	BH-7229-11	31070	10	Eq Chain Sprocket Washer
4	BH-7225-15	31134	4	Arm Pin 1-1/2" x 6"
4	BH-7225-15A		4	Arm Pin - Call W/Size
4	BH-7225-15B		4	Arm Pin - Call W/Size
4	BH-7225-15C		4	Arm Pin - Call W/Size
5	BH-7229-04	31033	2	Cylinder Rod End Assembly
6	BH-7029	31079	74	3/4 Leaf Chain - Need two 74 pitch pcs if doing complete lift.
7	BH-7228-59	260009	1	Complete Idler Side Column
8	BH-7225-23	31023	16	Slider UHMW W/Metal Insert
9	BH-7225-91	260003	2	Carriage Assembly

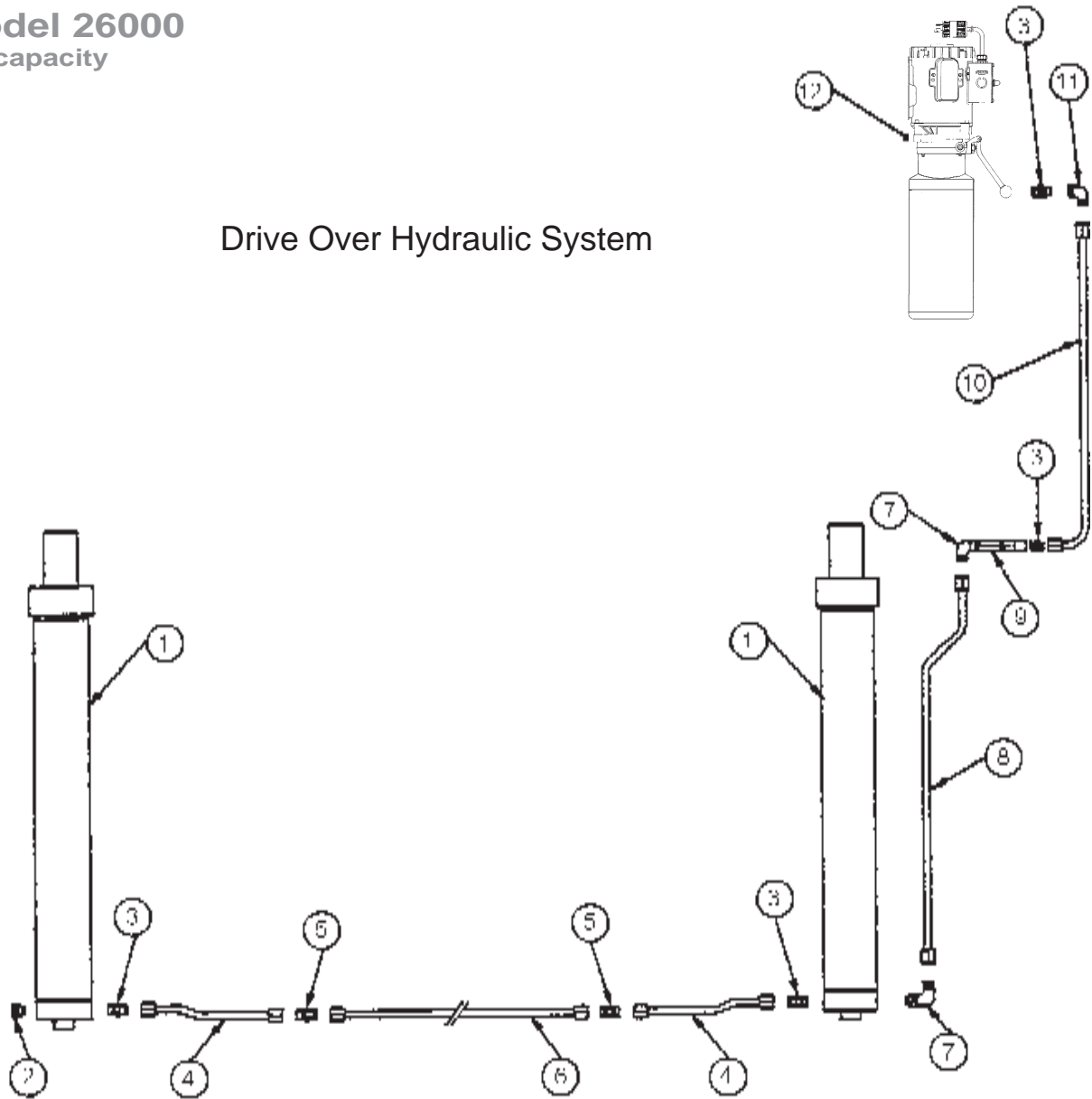
Item S V I	Ref. OEM	Qty		
No. Part Number	Part No.	Req.	Description	
9	BH-7225-90	260002	2	Carriage Weldment Only
10	BH-7225-14	31056	1	Rubber Door Guards (6)
11	BH-7226-01	31150/51	2	Safety Latch Release Handle
12	F-JN-0500-13	200202	2	Jam Nut For Stop Bolt
13	F-HN-0500-13	200166	2	1/2" Stop Bolt
14	BH-7225-03	31133	4	Adapter 3-1/2" W/Rubber Pad
15	BH-7225-07A	26003P	1	Driveover Plate Only
16	BH-7225-08	26003T	1	Driveover Trough Only
17	BH-7226-29	26061	2	Roller Chain 80 Pitches
18	BH-7075-03	31058	12	Anchor Bolts 3/4 x 5-1/2
19	BH-7006-01	200072	1	2HP 1PH 3.5 Gal. Power Unit
19	BH-7006-03		1	2HP 3PH 3.5 Gal. Power Unit
20	BH-7228-60	260012	1	Complete Power Side Column



lift repair parts for Challenger / VBM lifts

for Model 26000
9000 lb. capacity

Drive Over Hydraulic System



Item S V I	Ref. OEM	Qty	
No. Part Number	Part No.	Req.	Description
1*	BH-7225-10	200001	2 Hydraulic Cylinder-Need Serial #
2	BH-7228-47	200058	1 Hydraulic O-Ring Plug
3	BH-7230-74	36048	4 O-Ring Union
4	BH-7228-07	26027	2 Hyd Line, Cyl to Driveover
5	BH-7229-61	31047	2 Straight Union
6	BH-7228-61	200009	1 Hydraulic Line Driveover

* Call with serial number to order seal kit.

Item S V I	Ref. OEM	Qty	
No. Part Number	Part No.	Req.	Description
7	BH-7228-56	200008	1 90° Connector, O-Ring x Tube
8	BH-7228-03	200038	1 Hyd Line, Cyl To Column
9	BH-7228-20	260001	1 Restrictor
10	BH-7228-24	260031	1 Hyd Line, Pwr Unit to Restrictor
11	BH-7228-58	200025	1 90° Swivel Elbow
12	BH-7006-01	200072	1 2HP 1PH 3.5 Gal. Power Unit
12	BH-7006-03		1 2HP 3PH 3.5 Gal. Power Unit

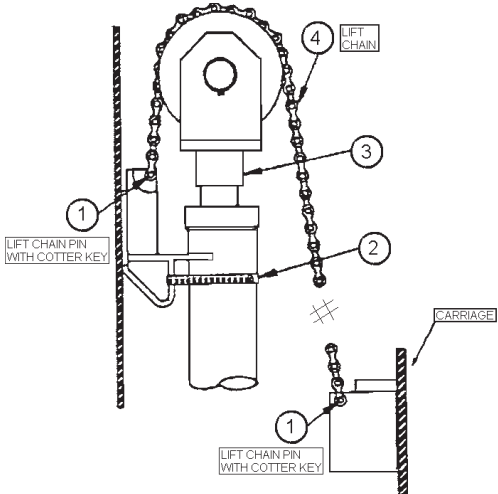
To Order Call: 800-321-8173 or 630-844-5566 / Fax: 800-899-1784 or 630-844-6770

All names, numbers, symbols and descriptions are used for reference purposes only. It is not implied that any part listed is the product of these manufacturers, however, some parts may be the actual product of these manufacturers.

lift repair parts for Challenger / VBM lifts

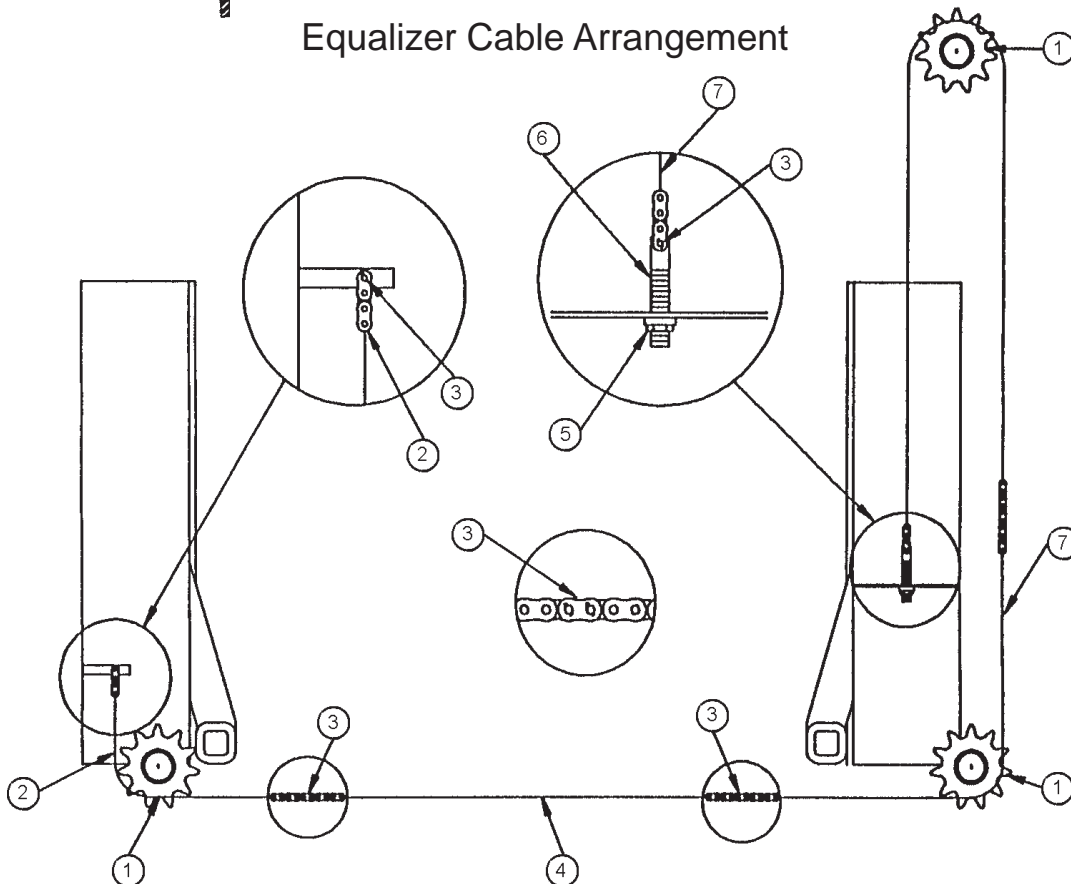
for Model 26000
9000 lb. capacity

Drive Chain Assembly



Item S V I	Ref. OEM	Qty	
No. Part Number	Part No.	Req.	Description
1	BH-7230-87	260013	4 Lift Chain Pin
2	BH-7225-19	200047	2 Hydraulic Cylinder Clamp
3	BH-7229-04	31033	2 Cylinder Rod End Assembly
4	BH-7029	31079	74 3/4 Leaf Chain - Need two 74 pitch pcs if doing complete lift.

Equalizer Cable Arrangement



Item S V I	Ref. OEM	Qty	
No. Part Number	Part No.	Req.	Description
1	BH-7225-09	26008	6 Eq Chain Sprocket
2	BH-7229-06	26046	2 Eq Chain Lower 28 Pitches
3	BH-7226-61	11035	8 Master Link
4	BH-7226-29	26061	2 Roller Chain 80 Pitches

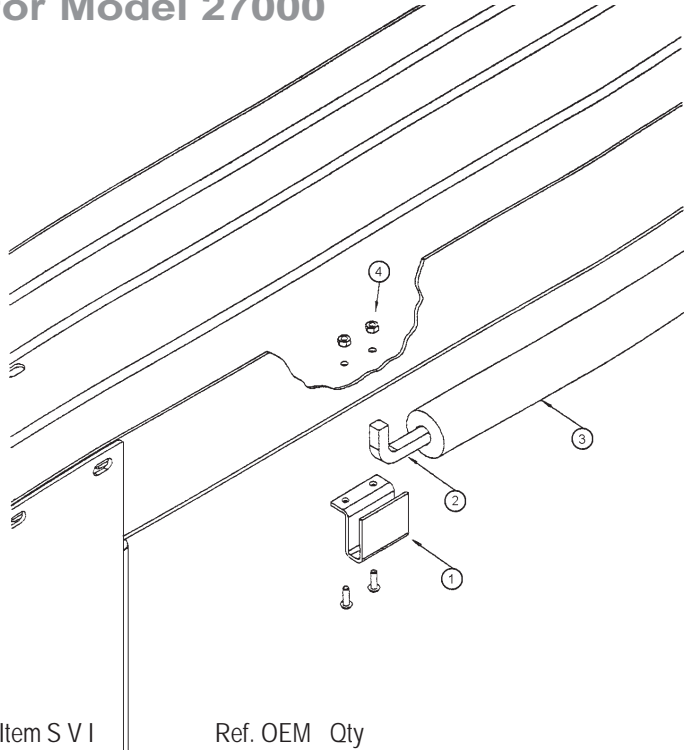
Item S V I	Ref. OEM	Qty	
No. Part Number	Part No.	Req.	Description
5	F-NL-0875-14	26055	2 7/8-14 Adjustment Lug
6	BH-7225-18	26054	2 Adj Stud For Eq Chain
7	BH-7229-05	200043	2 Eq Chain Upper 201 Pitches

To Order Call: 800-321-8173 or 630-844-5566 / Fax: 800-899-1784 or 630-844-6770

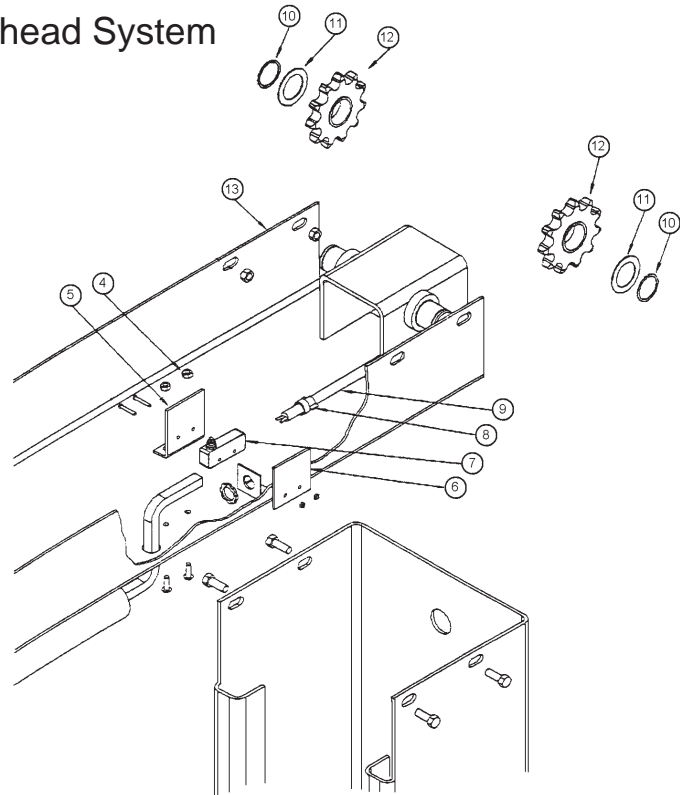
All names, numbers, symbols and descriptions are used for reference purposes only. It is not implied that any part listed is the product of these manufacturers, however, some parts may be the actual product of these manufacturers.

lift repair parts for Challenger / VBM lifts

for Model 27000

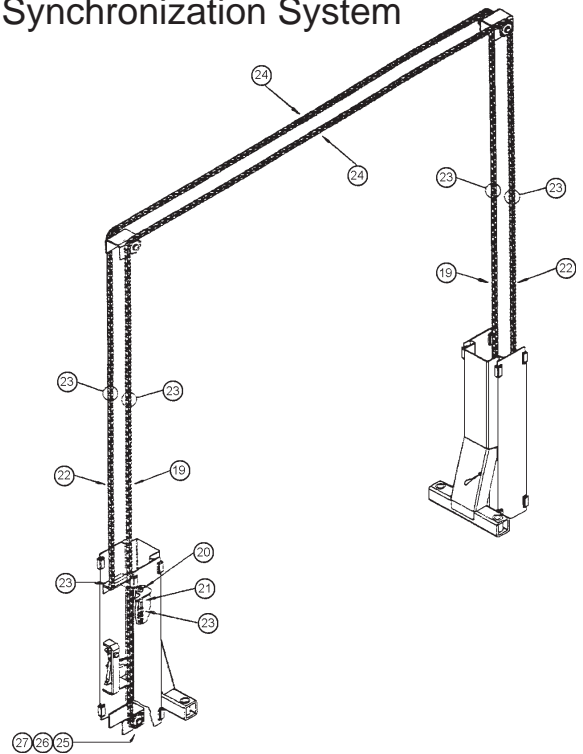


Overhead System



Item S V I	Ref. OEM	Qty	
No.	Part Number	Part No.	Req. Description
1	BH-7225-75	31063	1 Pivot Bracket
2	BH-7228-62	31128	1 Shut Off Bar
3	BH-7225-68	31129	1 Cushion 1/2 Shut Off Bar
4	BH-7229-33	31061	4 Push Nut 1/4"
5	BH-7225-74	31164	1 Limit Switch Bracket
6	BH-7228-63	31165	1 Capture Plate - Limit Switch
7	BH-7225-73	31166	1 Limit Switch Overhead Sq.
8	BH-7228-64	31060	1 Strain Relief
9	BH-7226-88	31167	1 Limit Switch Cord
10	BH-7225-16	31021	4 1-3/8 External Snap Ring
11	BH-7226-80	31020	4 1-3/8 Washer
12	BH-7225-09	26008	4 Eq Chain Sprocket
13	BH-7226-07	27016	1 Overhead Channel Assembly
19	BH-7226-29E	27024	2 Eq Chain w/connect Link 110Pitches - See SVI's LRC7020 chain booklet.
20	F-NL-0875-14	26055	2 7/8-14 Adjustment Lug
21	BH-7225-18	26054	2 Adj Stud for Eq Chain
22	BH-7229-06	26046	2 Eq Chain Lower 28 Pitches
23	BH-7226-61	11035	8 Master Link
24	BH-7229-13	27026	2 Eq Chain Assy 269 Pitches (144" Col) See SVI's LRC7020 chain booklet.
24	BH-7226-29H	27124	2 Eq Chain Assy 261 Pitches (140" Col) See SVI's LRC7020 chain booklet.
25	BH-7225-16	31021	6 1-3/8 External Snap Ring
26	BH-7226-80	31020	6 1-3/8 Washer
27	BH-7225-09	26008	6 Eq Chain Sprocket

Synchronization System

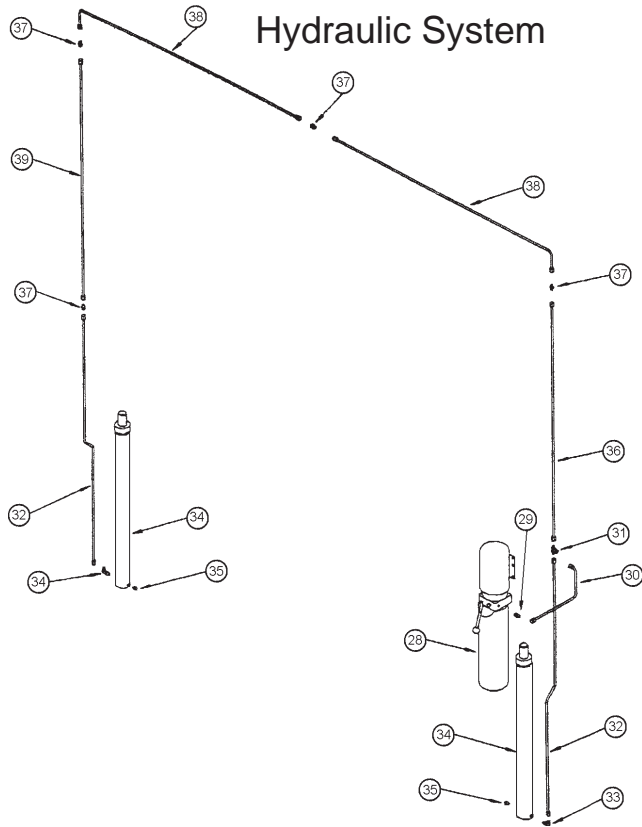


To Order Call: 800-321-8173 or 630-844-5566 / Fax: 800-899-1784 or 630-844-6770

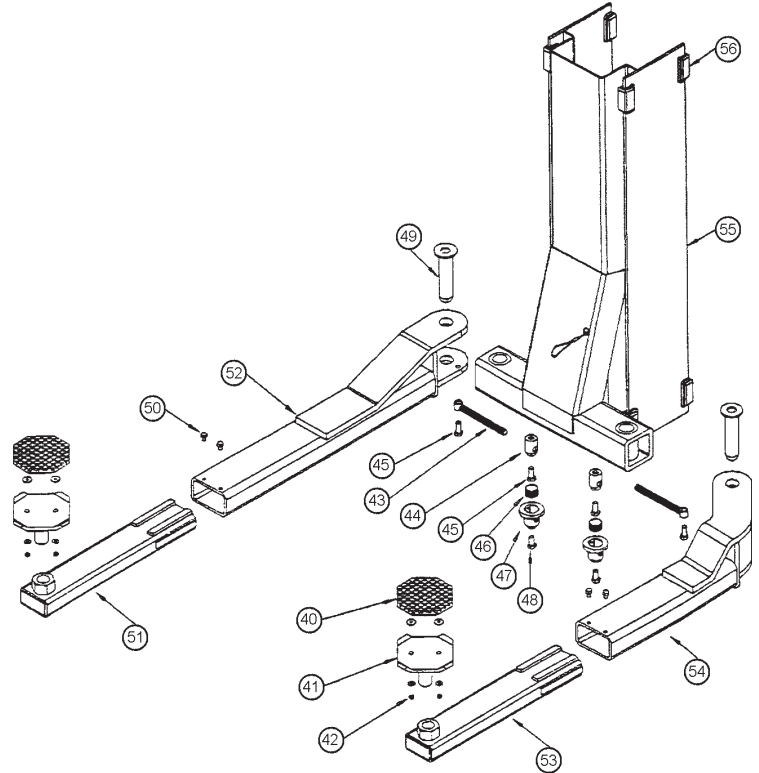
All names, numbers, symbols and descriptions are used for reference purposes only. It is not implied that any part listed is the product of these manufacturers, however, some parts may be the actual product of these manufacturers.

lift repair parts for Challenger / VBM lifts

for Model 27000



Carriage Arm Assembly



Item S V I	Ref. OEM	Qty	
No. Part Number	Part No.	Req.	Description
28	BH-7006-01	31295-1	1 2HP 1PH 3.5 Gal. Power Unit
28	BH-7006-03		1 2HP 3PH 3.5 Gal. Power Unit
29	BH-7228-45	31116	1 Union, O-ring X Tube
30	BH-7228-65	31298	1 Hyd Line, Power Unit Fenner
30	BH-7228-66	31065	1 Hyd Line, Power Unit Barnes
31	BH-7226-83	31032	1 Union Tee
32	BH-7229-64	31090	2 Bottom Half Hydraulic Line
33	BH-7229-66	31089	2 90° Elbow
34*	BH-7227-52	31265	2 Hydr. Cylinder Short Stroke Holmac - Only One Available
35	BH-7228-68	31088	2 9/16 SAE Plug
36	BH-7226-82	31031	1 Crossover Line 140"
36	BH-7228-69	27010	1 Crossover Line 144"
37	BH-7229-61	31047	4 Straight Union
38	BH-7229-39	31066	2 Overhead Hydraulic Line
39	BH-7226-82	31031	1 Crossover Line 140"
39	BH-7228-69	27010	1 Crossover Line 144"
40	BH-7225-01	31057	4 Rubber Arm Pad Hex
41	BH-7225-03	31133	4 Adapters W/Rubber Pad
42	BH-7229-33	31601	8 Push Nut 1/4"

Item S V I	Ref. OEM	Qty	
No. Part Number	Part No.	Req.	Description
43	BH-7229-62	31110	4 Link Weldment
44	BH-7229-40	31108	4 Arm Restraint Insert
45	BH-7229-59	31112	8 Allen Bolt 1/2-13
46	BH-7229-60	31109	4 Spring
47	BH-7229-41	31107	4 Arm Restraint
47a	BH-7226-25	31052	4 Arm Restraint Kit W/Hardware
47b	BH-7226-57		1 Arm Restraint Kit -Complete Lift
48	F-HC-0500-13-0750	31111	4 1/2-13 x 3/4 Hex Bolt
49	BH-7225-15	31134	4 Arm Pin 1-1/2" x 6"
49	BH-7225-15A		4 Arm Pin - Call W/Size
49	BH-7225-15B		4 Arm Pin - Call W/Size
49	BH-7225-15C		4 Arm Pin - Call W/Size
50	F-HC-0375-16-0750	31305	8 3/8-16 x 3/4 Ext Stop Bolt
51	BH-7226-69A	39018	2 Arm Inner Rear
52	BH-7226-69	39017	2 Female Arm Outer-Rear Assy
53	BH-7226-69B	39019	2 Arm Inner Front
54	BH-7229-42	39016	1 Female Arm Front Right Assy
54	BH-7229-43	39015	1 Female Arm Front Left Assy
55	BH-7228-97	27007	2 Carriage Weldment
56	BH-7225-23	31023	16 Slider UHMW W/Metal Insert

* Call with serial number to order seal kit.

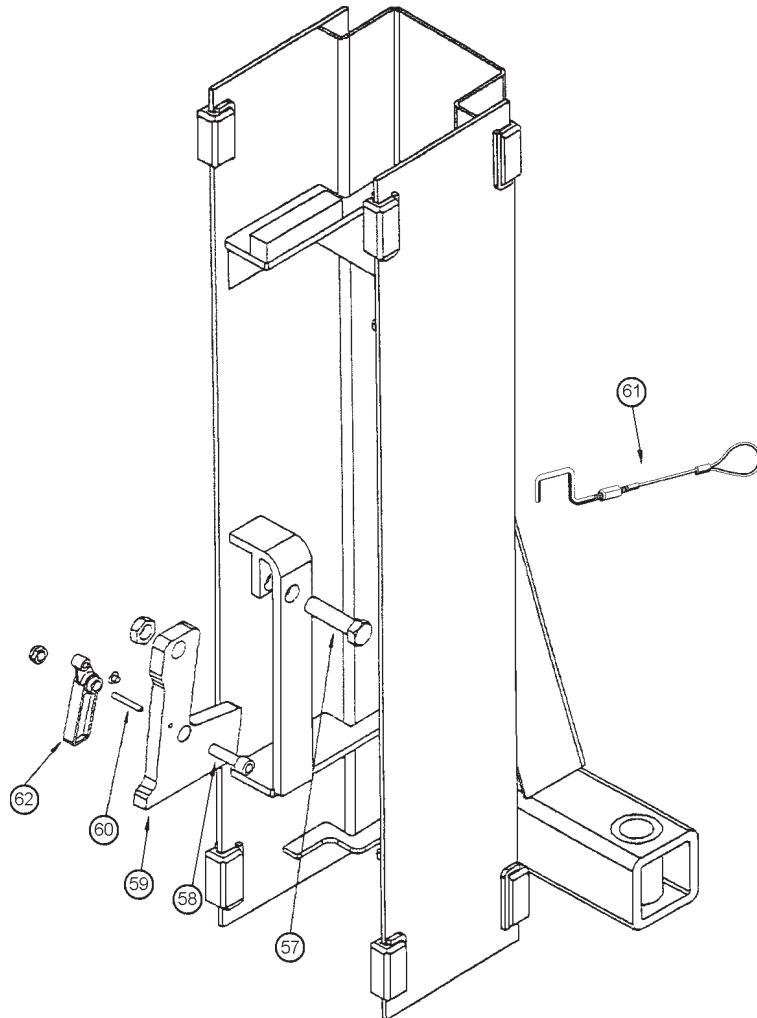
To Order Call: 800-321-8173 or 630-844-5566 / Fax: 800-899-1784 or 630-844-6770

All names, numbers, symbols and descriptions are used for reference purposes only. It is not implied that any part listed is the product of these manufacturers, however, some parts may be the actual product of these manufacturers.

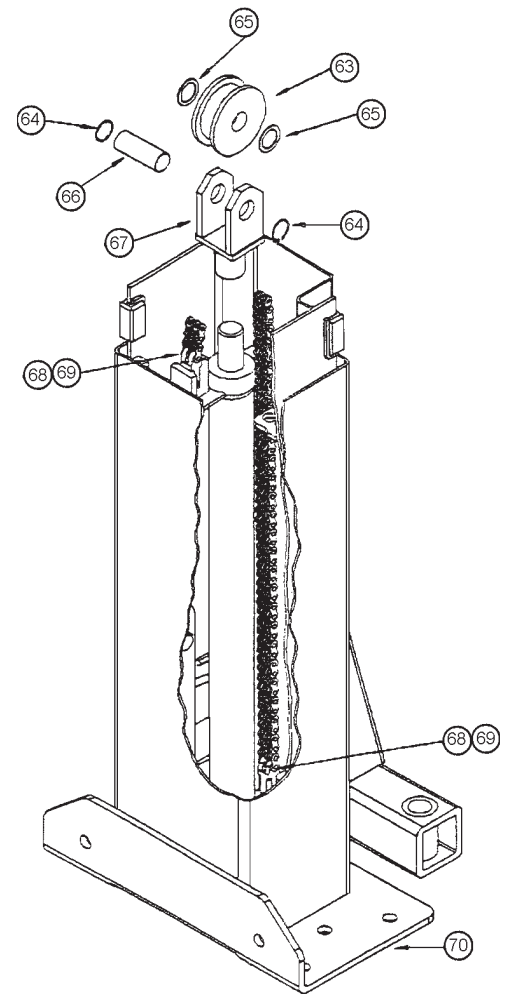
lift repair parts for Challenger / VBM lifts

for Model 27000

Locking Assembly



Lifting Assembly



Item S V I	Ref. OEM	Qty	
No. Part Number	Part No.	Req.	Description
57	F-HC-0750-16-3000	31081	2 3/4-16 x 3 Hex Bolt
58	F-SB-0500-20-1750	31263	2 1/2-20 x 1-3/4 Shoulder Bolt
59	BH-7229-44	31261	2 Gravity Latch
60	F-RP-250-1750	31211	2 1/4 x 1-3/4 Roll Pin
61	BH-7226-01	31150/51	2 Safety Latch Release Handle
62	BH-7225-32	31262	2 Trigger
63	BH-7229-15	31095	1 Roller for Lift Chain 1-1/2"
64	BH-7225-16	31021	2 1-3/8 External Snap Ring

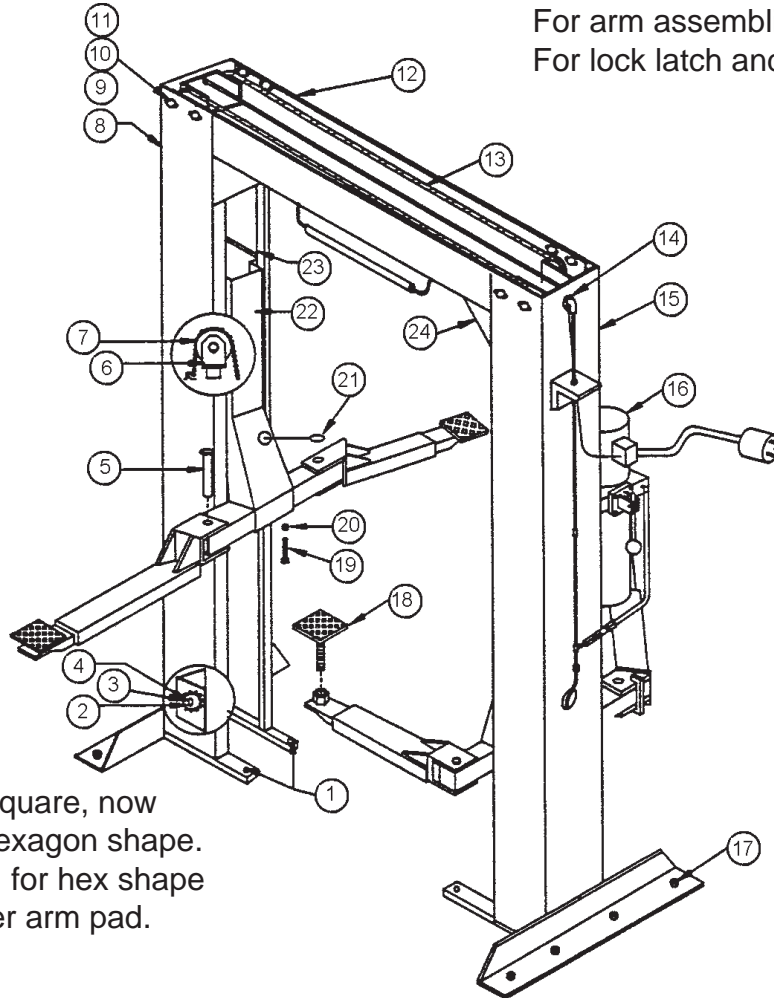
Item S V I	Ref. OEM	Qty	
No. Part Number	Part No.	Req.	Description
65	BH-7226-80	31020	2 1-3/8 Washer
66	BH-7225-92	31093	1 Pin - Drive Chain Roller
67	BH-7226-86	31094	1 Cylinder Rod End Assembly
68	BH-7229-45	31297	2 Headed Pin
69	BH-7029	31079	74 3/4 Leaf Chain - 74 Pitches
70	BH-7229-46	31303	1 Power Column Assembly
70	BH-7229-47	31304	1 Idler Column Assembly

To Order Call: 800-321-8173 or 630-844-5566 / Fax: 800-899-1784 or 630-844-6770

All names, numbers, symbols and descriptions are used for reference purposes only. It is not implied that any part listed is the product of these manufacturers, however, some parts may be the actual product of these manufacturers.

lift repair parts for Challenger / VBM lifts

for Model 27000 Plus
9000 lb. capacity



For arm assemblies see page 42.

For lock latch and slider block see page 41.

Arm Restraint Kits:
Order BH-7226-25, Arm Restraint Kit W/Hardware, for individual arm or BH-7226-57, Arm Restraint Kit for complete lift.

Adapter pictured square, now only available in hexagon shape. Order BH-7225-01 for hex shape replacement rubber arm pad.

Item S V I No.	Part Number	Ref. OEM Part No.	Qty Req.	Description
1	BH-7228-55	210047	4	Plastic Plug For Base
2	BH-7228-48	200011	10	Snap Ring
3	BH-7225-09	26008	6	Eq Chain Sprocket
4	BH-7229-11	31070	10	Eq Chain Sprocket Washer
5	BH-7225-15	31134	4	Arm Pin 1-1/2" X 6"
5	BH-7225-15A		4	Arm Pin - Call W/Size
5	BH-7225-15B		4	Arm Pin - Call W/Size
5	BH-7225-15C		4	Arm Pin - Call W/Size
6	BH-7229-04	31033	2	Cylinder Rod End Assembly
7	BH-7029	31079	74	3/4 Leaf Chain - Need two 74 pitch pcs if doing complete lift.
8	BH-7229-48	270006	1	Complete Idler Side Column
9	BH-7228-51	210029	8	Flat Washer For Overhead
10	BH-7228-52	210028	8	Nut For Overhead
11	BH-7228-53	210027	8	Bolt For Overhead
12	BH-7226-07	27016	1	Overhead Channel Assembly

Item S V I No.	Part Number	Ref. OEM Part No.	Qty Req.	Description
13		210023	2	Eq Chain Overhead 269 Pitches See SVI's LRC7020 chain book.
14	BH-7225-66	210021	2	Rubber Grommet Top
15	BH-7229-44	270008	1	Complete Power Side Column
16	BH-7006-01	200076	1	2HP 1PH 3.5 Gal. Power Unit
16	BH-7006-03		1	2HP 3PH 3.5 Gal. Power Unit
17	BH-7075-03	31058	8	Anchor Bolts 3/4 x 5-1/2
18	BH-7225-03	31133	4	Adapter 3-1/2" W/Rubber Pad
19	F-HN-0500-13	200166	2	1/2" Stop Bolt
20	F-JN-0500-13	200202	2	Jam Nut For Stop Bolt
21	BH-7226-01	31150/51	2	Safety Latch Release Handle
22	BH-7226-05	270002	2	Carriage Assembly
22	BH-7226-04	270001	2	Carriage Weldment Only
23	BH-7225-23	31023	16	Slider UHMW W/Metal Insert
24	BH-7225-64	210004	2	Gusset For Overhead

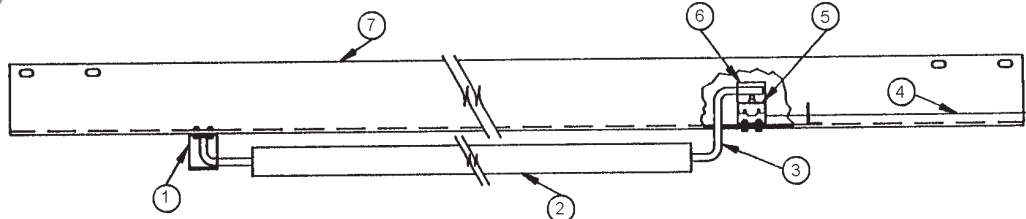
To Order Call: 800-321-8173 or 630-844-5566 / Fax: 800-899-1784 or 630-844-6770

All names, numbers, symbols and descriptions are used for reference purposes only. It is not implied that any part listed is the product of these manufacturers, however, some parts may be the actual product of these manufacturers.

lift repair parts for Challenger / VBM lifts

for Model 27000 Plus
9000 lb. capacity

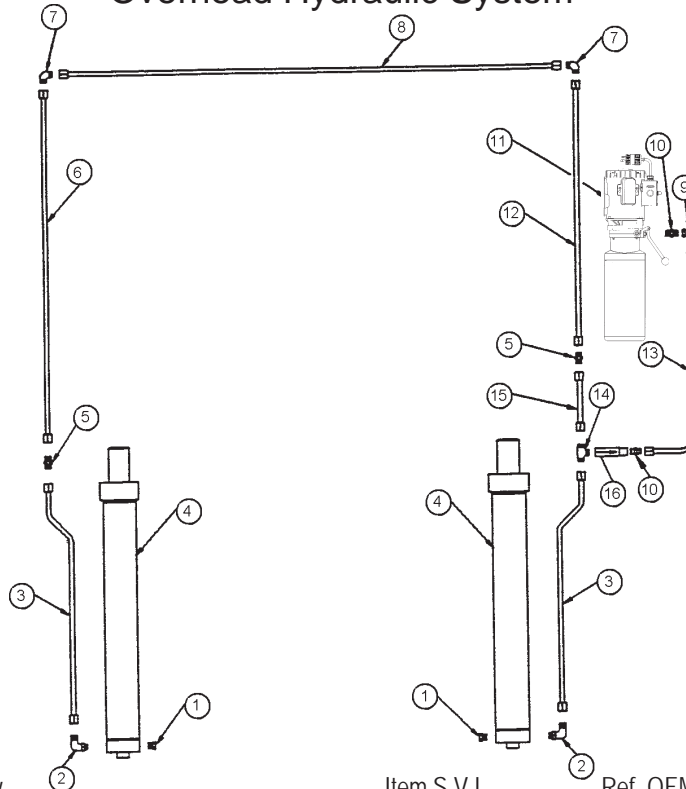
Shutoff Bar Assembly



Item S V I	Ref. OEM	Qty		
No. Part Number	Part No.	Req.	Description	
1 BH-7225-75	31063	1	Pivot Bracket	
2 BH-7225-68	31129	1	Cushion 1/2 Shutoff Bar	
3 BH-7225-72	31064	1	Cushion Square Shutoff Bar	

Item S V I	Ref. OEM	Qty		
No. Part Number	Part No.	Req.	Description	
4 BH-7225-70	210031	1	Overhead Wire 5'	
5 BH-7225-73	31166	1	Limit Switch Overhead Square	
6 BH-7225-74	31164	1	Limit Switch Bracket	
7 BH-7226-07	27016	1	Overhead Channel Assembly	

Overhead Hydraulic System



Item S V I	Ref. OEM	Qty		
No. Part Number	Part No.	Req.	Description	
1 BH-7228-47	200058	2	Hydraulic O-Ring Plug	
2 BH-7228-56	200025	2	90° Swivel Elbow	
3 BH-7228-03	200038	2	Hydraulic Line, Cyl To Column	
4* BH-7225-10	200001	2	Hydraulic Cylinder-Need Serial #	
5 BH-7229-61	31047	2	Straight Union	
6 BH-7228-18	210013	1	Hyd Line, Overhead To Idle Col	
7 BH-7227-46	200007	2	90° Elbow, Tube x Tube	
8 BH-7228-12	210007	1	Hydraulic Line, Overhead	

Item S V I	Ref. OEM	Qty		
No. Part Number	Part No.	Req.	Description	
9 BH-7228-56	200008	2	90° Connector, O-Ring x Tube	
10 BH-7230-74	36047	2	O-Ring Union	
11 BH-7006-01	200076	1	2HP 1PH 3.5 Gal. Power Unit	
11 BH-7006-03		1	2HP 3PH 3.5 Gal. Power Unit	
12 BH-7228-16	210014	1	Hyd Line, Tee To Overhead Pwr	
13 BH-7228-24	260031	1	Hyd Line, Power Unit To Restrictor	
14 BH-7229-58	270009	1	Hyd Tee, Tube x Tube x O-Ring	
15 BH-7228-18	210022	1	Hydraulic Line Extension	
16 BH-7228-20	260001	1	Restrictor	

* Call with serial number to order seal kit.

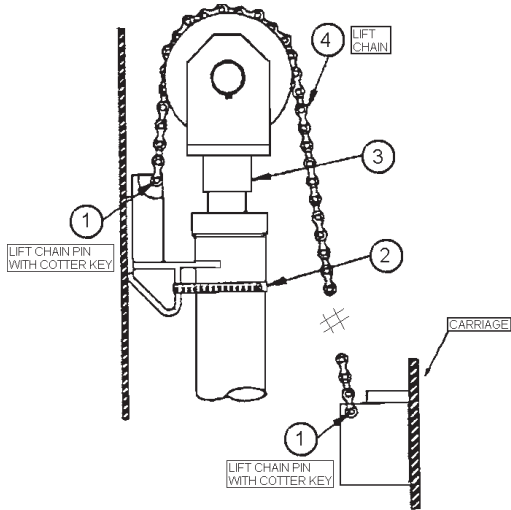
To Order Call: 800-321-8173 or 630-844-5566 / Fax: 800-899-1784 or 630-844-6770

All names, numbers, symbols and descriptions are used for reference purposes only. It is not implied that any part listed is the product of these manufacturers, however, some parts may be the actual product of these manufacturers.

lift repair parts for Challenger / VBM lifts

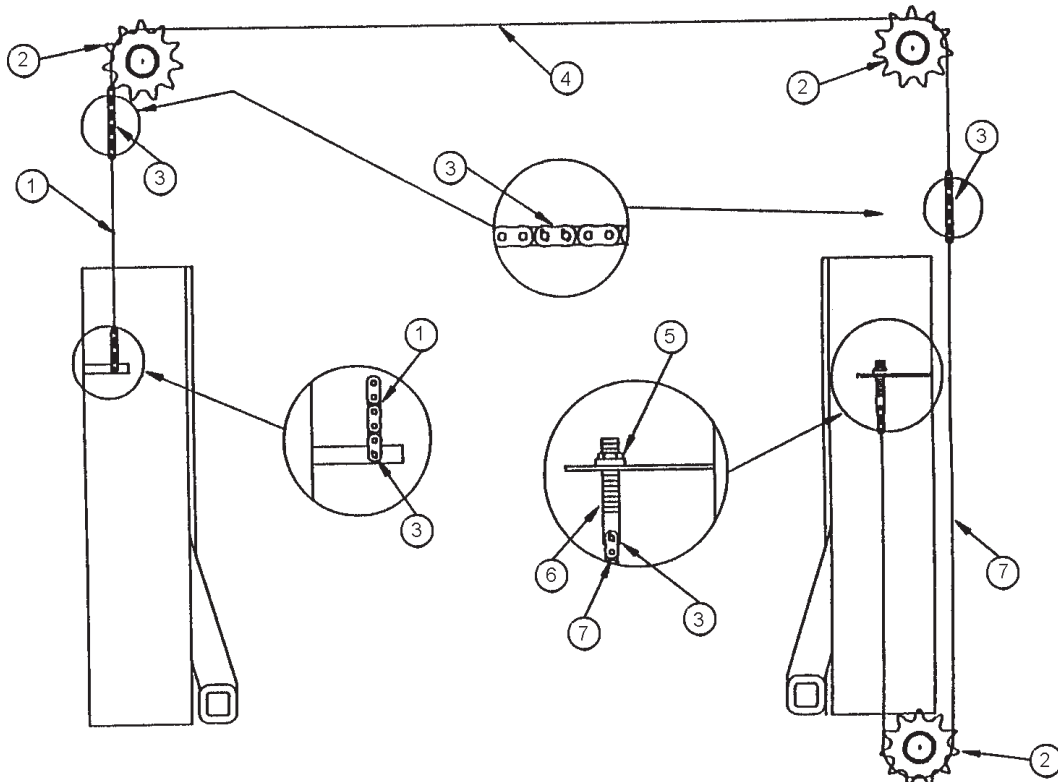
for Model 27000 Plus
9000 lb. capacity

Drive Chain Assembly



Item S V I	Ref. OEM	Qty	
No. Part Number	Part No.	Req.	Description
1	BH-7230-87	260013	4 Lift Chain Pin
2	BH-7225-19	200047	2 Hydraulic Cylinder Clamp
3	BH-7229-04	31033	2 Cylinder Rod End Assembly
4	BH-7029	31079	74 3/4 Leaf Chain - Need two 74 pitch pcs if doing complete lift.

Equalizer Cable Arrangement



Item S V I	Ref. OEM	Qty	
No. Part Number	Part No.	Req.	Description
1	BH-7229-06	26046	2 Eq Chain Lower 28 ptch
2	BH-7225-09	26008	6 Eq Chain Sprocket
3	BH-7226-61	11035	8 Master Link
4	210023	2	Eq Overhead Chain 269 Pitches See SVI's LRC7020 chain book.

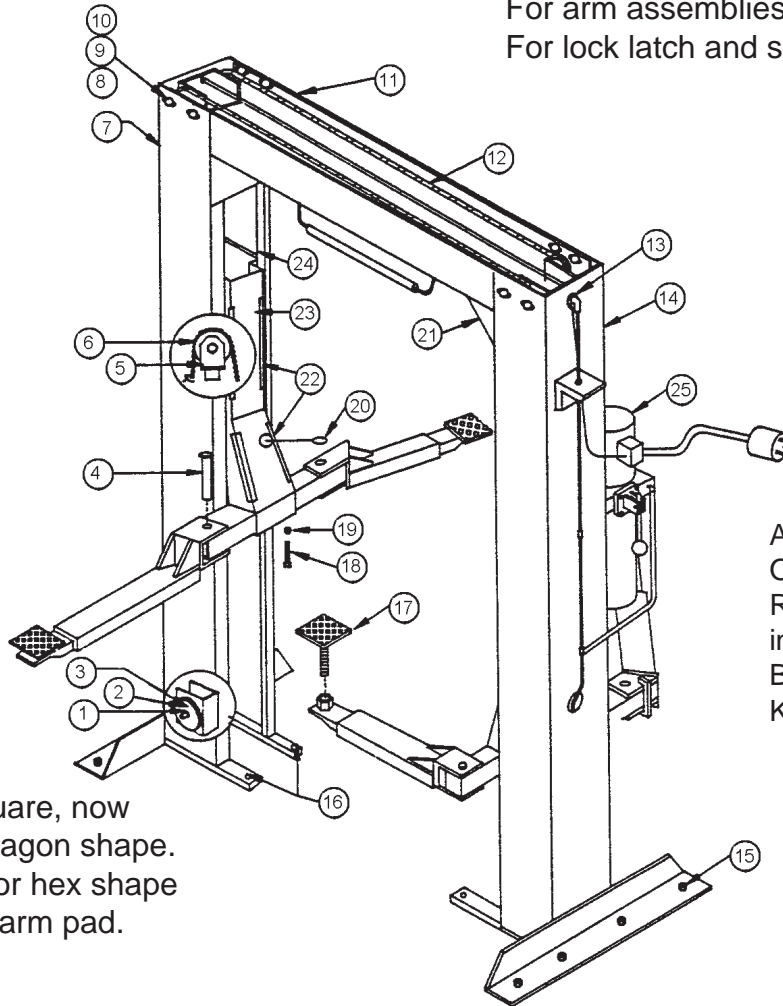
Item S V I	Ref. OEM	Qty	
No. Part Number	Part No.	Req.	Description
5	F-NL-0875-14	26055	2 7/8-14 Adjustment Lug
6	BH-7225-18	26054	2 Adj Stud for Eq Chain
7	210011	2	Eq Chain Upper 110 Pitches See SVI's LRC7020 chain book.

To Order Call: 800-321-8173 or 630-844-5566 / Fax: 800-899-1784 or 630-844-6770

All names, numbers, symbols and descriptions are used for reference purposes only. It is not implied that any part listed is the product of these manufacturers, however, some parts may be the actual product of these manufacturers.

lift repair parts for Challenger / VBM lifts

for Model 28000
7000 lb. capacity



For arm assemblies see page 42.
For lock latch and slider block see page 41.

Arm Restraint Kits:
Order BH-7226-25, Arm Restraint Kit W/Hardware, for individual arm or BH-7226-57, Arm Restraint Kit for complete lift.

Adapter pictured square, now only available in hexagon shape. Order BH-7225-01 for hex shape replacement rubber arm pad.

Item S V I	Ref. OEM	Qty		
No.	Part Number	Part No.	Req.	Description
1	BH-7229-93	280022	6	Snap Ring
2	BH-7226-13	31019	6	Pulley For Eq Cable
3	BH-7229-11	31070	10	Eq Chain Sprocket Washer
4	BH-7225-15	31134	4	Arm Pin 1-1/2" x 6"
4	BH-7225-15A		4	Arm Pin - Call W/Size
4	BH-7225-15B		4	Arm Pin - Call W/Size
4	BH-7225-15C		4	Arm Pin - Call W/Size
5	BH-7229-04	31033	2	Cylinder Rod End Assembly
6	BH-7028	30019	74	3/4 Leaf Chain - Need two 74 pitch pcs if doing complete lift.
7*	BH-7229-94	280004	1	Complete Idler Side Column
8	BH-7228-51	210029	8	Flat Washer for Overhead
9	BH-7228-52	210028	8	Nut for Overhead
10	BH-7228-53	210027	8	Bolt for Overhead
11	BH-7229-95	280009	1	Overhead Channel Assembly

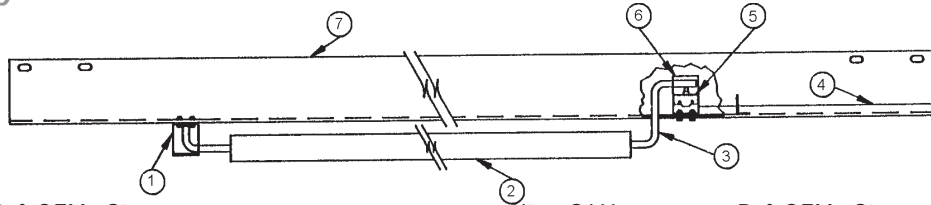
Item S V I	Ref. OEM	Qty		
No.	Part Number	Part No.	Req.	Description
13	BH-7225-66	210021	2	Rubber Grommet Top
14	BH-7229-96	280005	1	Complete Power Side Column
15	BH-7075-03	31058	8	Anchor Bolt 3/4 x 5-1/2
16	BH-7228-55	210047	4	Plastic Base Plug
17	BH-7225-03	31133	4	Adapter 3-1/2 W/Rubber Pad
18	F-HN-0500-13	200166	2	1/2" Stop Bolt
19	F-JN-0500-13	200202	2	Jam Nut for Stop Bolt
20	BH-7226-01	31150/51	2	Safety Latch Release Handle
21	BH-7225-64	210004	2	Gusset for Overhead
22	BH-7225-14	31056	1	Rubber Door Guard (6)
23	BH-7226-09	280003	2	Carriage Assembly
23	BH-7226-08	280001	2	Carriage Weldment Only
24	BH-7225-23	31023	16	Slider UHMW W/Metal Insert
25	BH-7006-01		1	2HP 1PH 3.5 Gal Power Unit
25	BH-7006-03		1	2HP 3PH 3.5 Gal Power Unit

*Call for Details

lift repair parts for Challenger / VBM lifts

for Model 28000
7000 lb. capacity

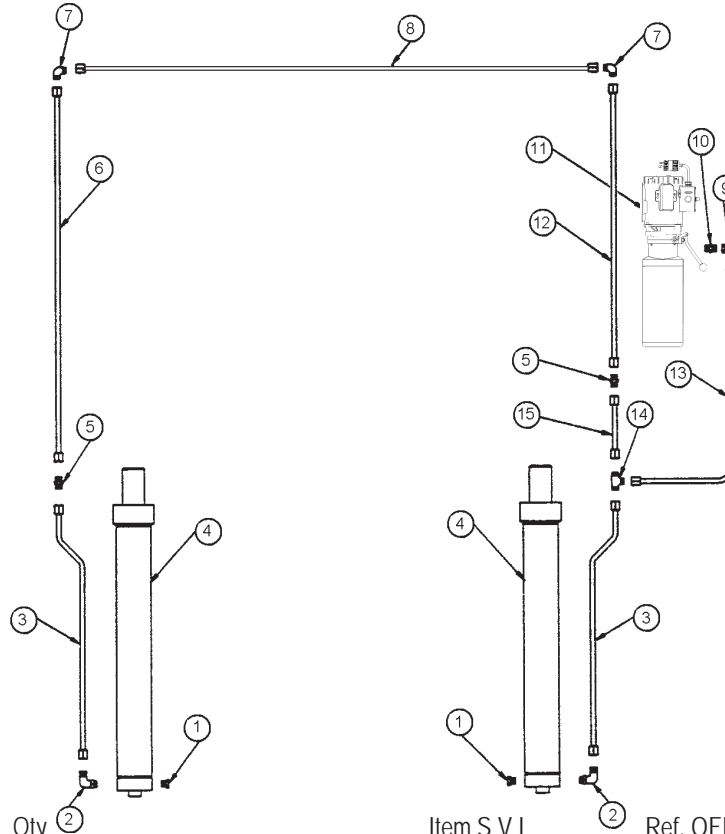
Shutoff Bar Assembly



Item S V I	Ref. OEM	Qty		
No. Part Number	Part No.	Req.	Description	
1	BH-7225-75	31063	1	Pivot Bracket
2	BH-7225-68	31129	1	Cushion 1/2 Shutoff Bar
3	BH-7225-72	31064	1	Cushion Square Shutoff Bar

Item S V I	Ref. OEM	Qty		
No. Part Number	Part No.	Req.	Description	
4	BH-7225-70	210031	1	Overhead Wire 5'
5	BH-7225-73	31166	1	Limit Switch Overhead Square
6	BH-7225-74	31164	1	Limit Switch Bracket
7	BH-7229-95	280009	1	Overhead Channel Assembly

Overhead Hydraulic System



Item S V I	Ref. OEM	Qty		
No. Part Number	Part No.	Req.	Description	
1	BH-7228-47	200058	2	Hydraulic O-Ring Plug
2	BH-7228-56	200008	2	90° Connector O-Ring x Tube
3	BH-7228-03	200038	2	Hydraulic Line Cyl to Column
4*	BH-7225-10	200001	2	Hydraulic Cylinder
5	BH-7229-61	31047	2	Straight Union
6	BH-7229-64	31090	1	Bottom Half Hydr Line
6	BH-7229-65	31091	1	Top Half Hyd Line
7	BH-7227-46	200007	2	90° Elbow Tube x Tube
8	BH-7228-12	210007	1	Hydraulic Line Overhead

Item S V I	Ref. OEM	Qty		
No. Part Number	Part No.	Req.	Description	
9	BH-7228-58	200025	1	90° Swivel Elbow
10	BH-7230-74	36048	1	O-Ring Union
11	BH-7006-01		1	2HP 1PH 3.5 Gal Power Unit
11	BH-7006-03		1	2HP 3PH 3.5 Gal Power Unit
12	BH-7229-97	280016	1	Hyd Line Tee to Overhead Power
13	BH-7228-10	200241	1	Hyd Line Power Unit to Col
14	BH-7226-83	31032	1	Union Tee Parker
15	BH-7228-18	210022	1	Hydraulic Line Extension

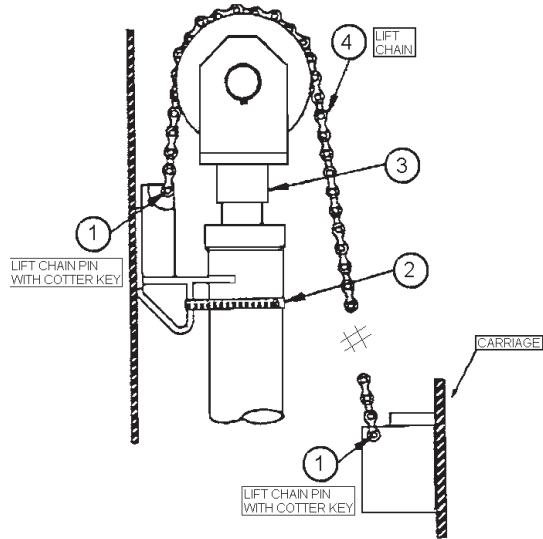
* Call with serial number to order seal kit.

To Order Call: 800-321-8173 or 630-844-5566 / Fax: 800-899-1784 or 630-844-6770

All names, numbers, symbols and descriptions are used for reference purposes only. It is not implied that any part listed is the product of these manufacturers, however, some parts may be the actual product of these manufacturers.

lift repair parts for Challenger / VBM lifts

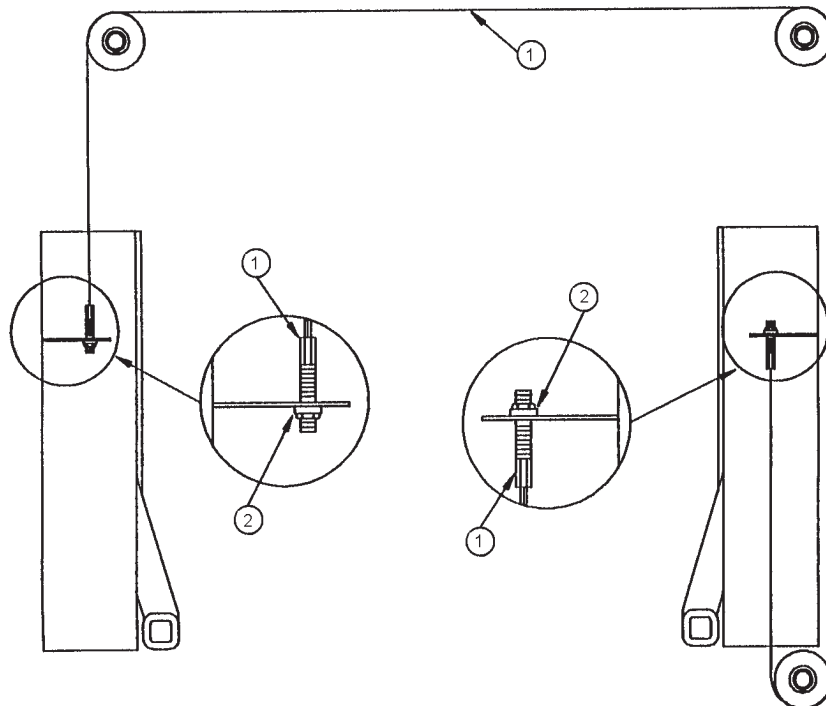
for Model 28000
7000 lb. capacity



Drive Chain Assembly

Item S V I	Ref. OEM	Qty	
No. Part Number	Part No.	Req.	Description
1	BH-7229-09	30030	4 Lift Chain Pin
2	BH-7225-19	200047	2 Hydraulic Cylinder Clamp
3	BH-7229-04	31033	2 Cylinder Rod End Assembly
4	BH-7028	30019	74 3/4 Leaf Chain - Need two 74 pitch pcs if doing complete lift.

Equalizer Cable Arrangement



Item S V I	Ref. OEM	Qty	
No. Part Number	Part No.	Req.	Description
1	BH-7226-12	280019	2 Eq Cable Assembly
2	F-NL-0500-20	280018	4 Adjustment Stud Locknut

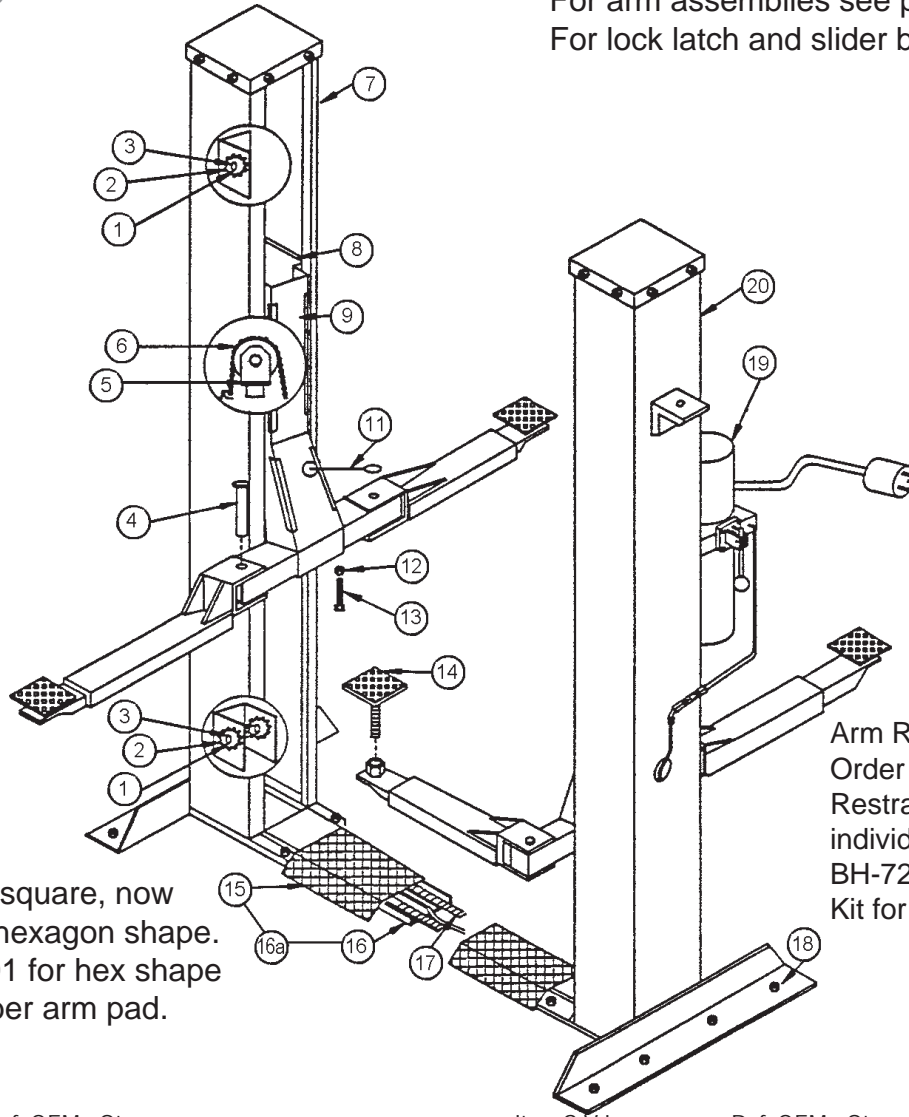
To Order Call: 800-321-8173 or 630-844-5566 / Fax: 800-899-1784 or 630-844-6770

All names, numbers, symbols and descriptions are used for reference purposes only. It is not implied that any part listed is the product of these manufacturers, however, some parts may be the actual product of these manufacturers.

lift repair parts for Challenger / VBM lifts

for Model 30000
7000 lb. capacity

For arm assemblies see page 42.
For lock latch and slider block see page 41.



Adapter pictured square, now only available in hexagon shape. Order BH-7225-01 for hex shape replacement rubber arm pad.

Arm Restraint Kits:
Order BH-7226-25, Arm Restraint Kit W/Hardware, for individual arm or BH-7226-57, Arm Restraint Kit for complete lift.

Item S V I	Ref. OEM	Qty	
No. Part Number	Part No.	Req.	Description
1	BH-7228-48	200011	10 Snap Ring
2	BH-7226-22	31019	6 Pulley For Eq Cable
3	BH-7229-11	31070	10 Eq Chain Sprocket Washer
4	BH-7225-15	31134	4 Arm Pin 1-1/2" x 6"
4	BH-7225-15A		4 Arm Pin - Call W/Size
4	BH-7225-15B		4 Arm Pin - Call W/Size
4	BH-7225-15C		4 Arm Pin - Call W/Size
5	BH-7229-04	30133	2 Cylinder Rod End Assembly
6	BH-7028	30019	74 3/4 Leaf Chain - Need two 74 pitch pcs if doing complete lift.
7	BH-7230-59	300003	1 Complete Idler Side Column
8	BH-7225-23	31023	16 Slider UHMW W/Metal Insert
9	BH-7226-19	300002	2 Carriage Assembly

Item S V I	Ref. OEM	Qty	
No. Part Number	Part No.	Req.	Description
9	BH-7226-18	300001	2 Carriage Weldment Only
11	BH-7226-01	31150/51	2 Safety Latch Release Handle
12	F-JN-0500-13	200202	2 Jam Nut For Stop Bolt
13	F-HN-0500-13	200166	2 1/2" Stop Bolt
14	BH-7225-03	31133	4 Adapter 3-1/2" W/Rubber Pad
15	BH-7225-07A	26003P	1 Driveover Plate Only
16	BH-7225-08	26003T	1 Driveover Trough Only
16a	BH-7225-07	26003	1 Driveover Plate & Trough Assy
17	BH-7226-21	30024	2 Eq Cable Eye/Stud 26' 9"
18	BH-7075-03	31058	12 Anchor Bolts 3/4 x 5-1/2
19	BH-7006-01	200072	1 2HP 1PH 3.5 Gal. Power Unit
19	BH-7006-03		1 2HP 3PH 3.5 Gal. Power Unit
20	BH-7230-60	300004	1 Complete Power Side Column

To Order Call: 800-321-8173 or 630-844-5566 / Fax: 800-899-1784 or 630-844-6770

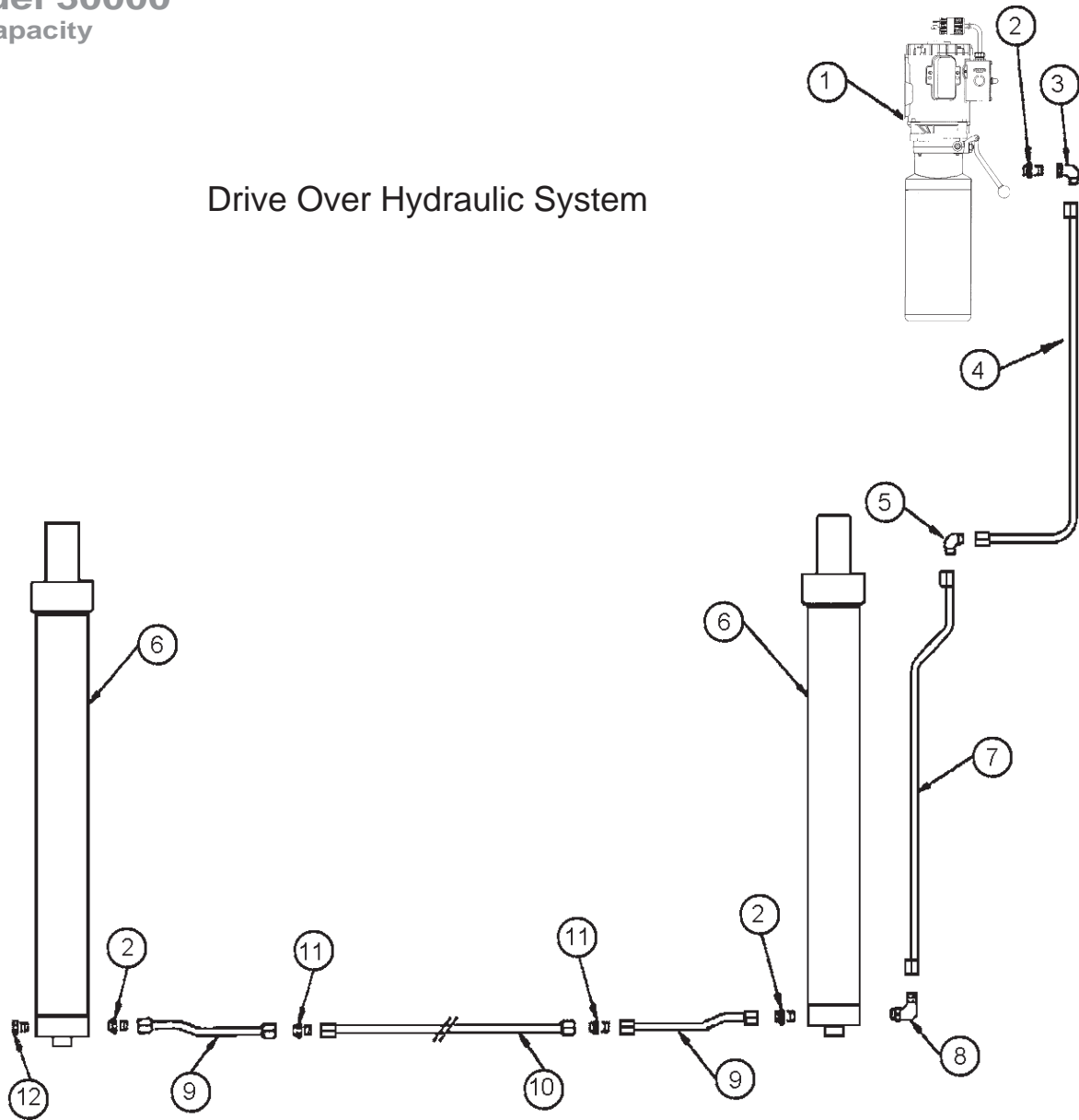
All names, numbers, symbols and descriptions are used for reference purposes only. It is not implied that any part listed is the product of these manufacturers, however, some parts may be the actual product of these manufacturers.



lift repair parts for Challenger / VBM lifts

for Model 30000
7000 lb. capacity

Drive Over Hydraulic System



Item S V I	Ref. OEM	Qty	
No. Part Number	Part No.	Req.	Description
1	BH-7006-01	1	2HP 1PH 3.5 Gal Power Unit
1	BH-7006-03	1	2HP 3PH 3.5 Gal Power Unit
2	BH-7230-74	36048	3 O-Ring Union
3	BH-7227-45	36051	1 90° Swivel Elbow
4	BH-7228-10	31065	1 Hyd Line, Power Unit-Column
5	BH-7227-46	200007	1 90° Elbow, Tube to Tube
6*	BH-7225-10	200001	2 Hydraulic Cylinder-Need Serial #

Item S V I	Ref. OEM	Qty	
No. Part Number	Part No.	Req.	Description
7	BH-7228-03	200038	1 Call For Details
8	BH-7228-45	31116	1 90° Elbow, O-Ring to Tube
9	BH-7228-07	26027	2 Hyd Line, Cyl. to Drive Over
10	BH-7228-01	26017	1 Hydraulic Line Drive Over
11	BH-7229-61	31047	2 Straight Union
12	BH-7228-47	200058	1 Hydraulic O-Ring Plug

* Call with serial number to order seal kit.

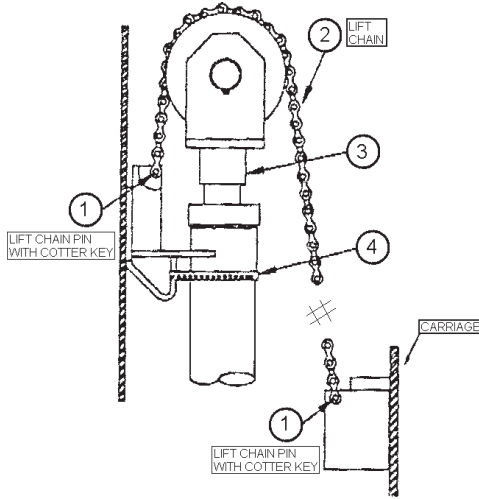
To Order Call: 800-321-8173 or 630-844-5566 / Fax: 800-899-1784 or 630-844-6770

All names, numbers, symbols and descriptions are used for reference purposes only. It is not implied that any part listed is the product of these manufacturers, however, some parts may be the actual product of these manufacturers.

lift repair parts for Challenger / VBM lifts

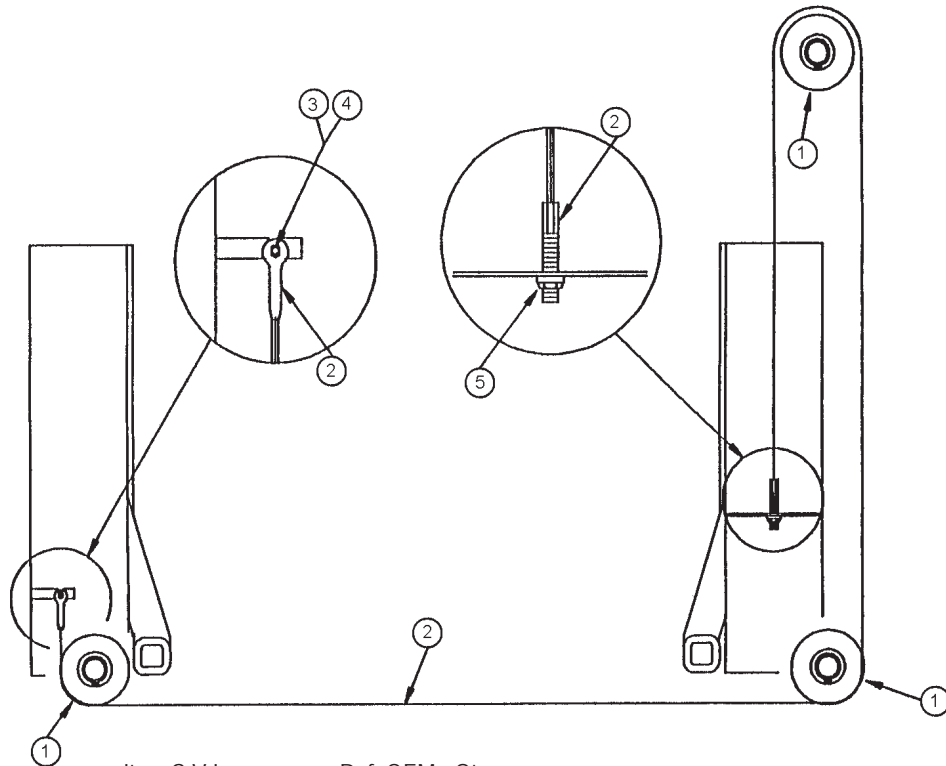
for Model 30000
7000 lb. capacity

Drive Chain Assembly



Item S V I	Ref. OEM	Qty	
No.	Part Number	Part No.	Req. Description
1	BH-7229-09	30030	4 Lift Chain Pin BL634
2	BH-7028	30019	74 3/4 Leaf Chain - Need two 74 pitch pcs if doing complete lift.
3	BH-7229-04	31033	2 Cylinder Rod End Assembly
4	BH-7225-19	200047	2 Hydraulic Cylinder Clamp

Equalizer Cable Arrangement



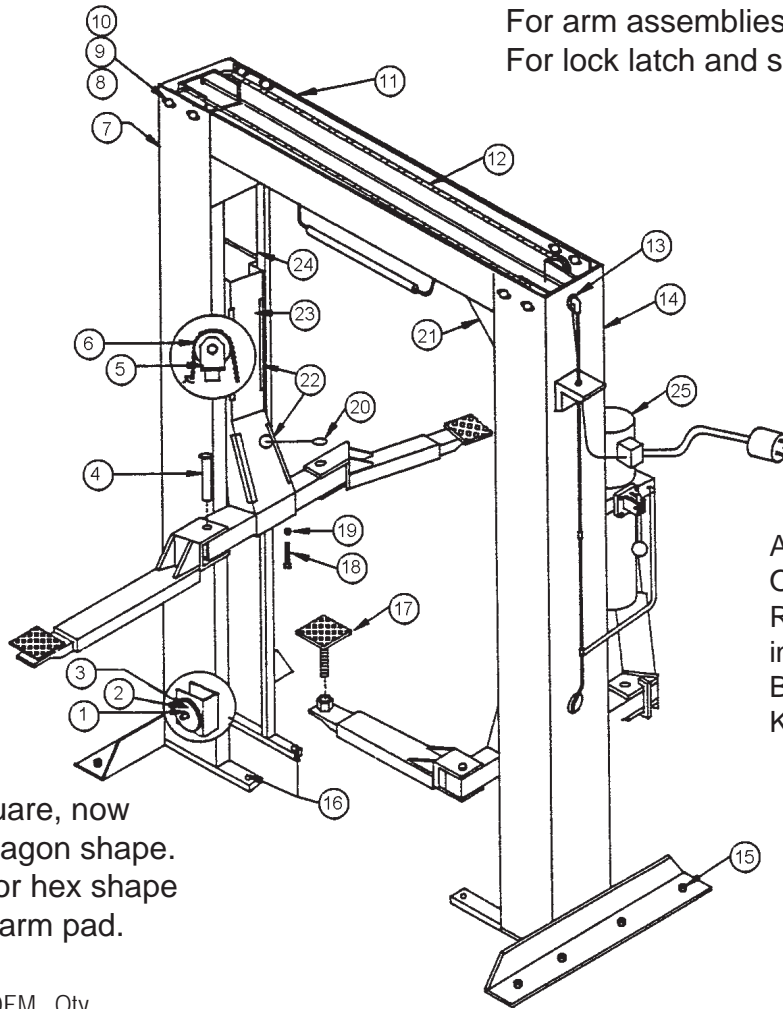
Item S V I	Ref. OEM	Qty	
No.	Part Number	Part No.	Req. Description
1	BH-7226-22	31019	6 Pulley For Eq Cable
2	BH-7226-21	30024	2 Eq Cable Eye/Stud 26" 9"
3	BH-7230-61	300008	2 Bolt - Eq Cable Eye
4	BH-7230-62	300013	2 Locknut - Eq Cable Eye
5	F-NL-0750-10	300010	2 Adjustment Stud Locknut

To Order Call: 800-321-8173 or 630-844-5566 / Fax: 800-899-1784 or 630-844-6770

All names, numbers, symbols and descriptions are used for reference purposes only. It is not implied that any part listed is the product of these manufacturers, however, some parts may be the actual product of these manufacturers.

lift repair parts for Challenger / VBM lifts

for Model 31000 Spirit
7000 lb. capacity



For arm assemblies see page 42.

For lock latch and slider block see page 41.

Arm Restraint Kits:
Order BH-7226-25, Arm Restraint Kit W/Hardware, for individual arm or BH-7226-57, Arm Restraint Kit for complete lift.

Adapter pictured square, now only available in hexagon shape. Order BH-7225-01 for hex shape replacement rubber arm pad.

Item S V I No.	Part Number	Ref. OEM Part No.	Qty Req.	Description
1	BH-7228-48	200011	6	Snap Ring
2	BH-7226-22	31019	6	Pulley For Eq Cable
3	BH-7229-11	31070	10	Eq Chain Sprocket Washer
4	BH-7225-15	31134	4	Arm Pin 1-1/2" x 6"
4	BH-7225-15A		4	Arm Pin - Call W/Size
4	BH-7225-15B		4	Arm Pin - Call W/Size
4	BH-7225-15C		4	Arm Pin - Call W/Size
5	BH-7229-04	31033	2	Cylinder Rod End Assembly
6	BH-7028	30019	74	3/4 Leaf Chain - Need two 74 pitch pcs if doing complete lift.
7	BH-7230-64	310005	1	Complete Idler Side Column
8	BH-7228-51	210029	8	Flat Washer for Overhead
9	BH-7228-52	210028	8	Nut for Overhead
10	BH-7228-53	210027	8	Bolt for Overhead
11	BH-7226-26	310009	1	Overhead Channel Assembly
12	BH-7225-11	31067	2	Eq Cable Assy 32' 10"(Old Style)
12b	BH-7225-11A		2	Eq Cable Assy 34' 4" (New Style)

Item S V I No.	Part Number	Ref. OEM Part No.	Qty Req.	Description
13	BH-7225-66	210021	2	Rubber Grommet Top
14	BH-7230-65	310003	1	Complete Power Side Column
15	BH-7075-03	31058	8	Anchor Bolt 3/4 x 5-1/2
16	BH-7228-55	210047	4	Plastic Base Plug
17	BH-7225-03	31133	4	Adapter 3-1/2 W/Rubber Pad
18	F-HN-0500-13	200166	2	1/2" Stop Bolt
19	F-JN-0500-13	200202	2	Jam Nut for Stop Bolt
20	BH-7226-01	31150/51	2	Safety Latch Release Handle
21	BH-7225-64	210004	2	Gusset for Overhead
22	BH-7225-14	31056	1	Rubber Door Guard (6)
23	BH-7226-24	310002	2	Carriage Assembly
23	BH-7226-23	310001	2	Carriage Weldment Only
24	BH-7225-23	31023	16	Slider UHMW W/Metal Insert
25	BH-7006-01		1	2HP 1PH 3.5 Gal Power Unit
25	BH-7006-03		1	2HP 3PH 3.5 Gal Power Unit

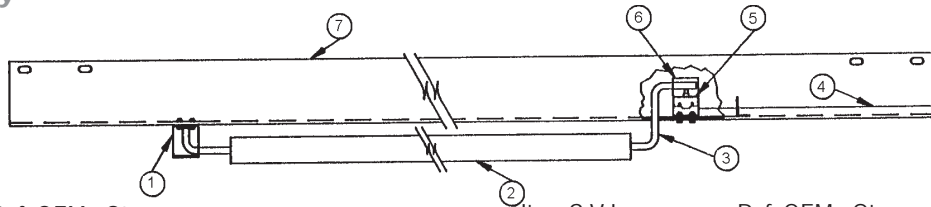
To Order Call: 800-321-8173 or 630-844-5566 / Fax: 800-899-1784 or 630-844-6770

All names, numbers, symbols and descriptions are used for reference purposes only. It is not implied that any part listed is the product of these manufacturers, however, some parts may be the actual product of these manufacturers.

lift repair parts for Challenger / VBM lifts

for Model 31000 Spirit
7000 lb. capacity

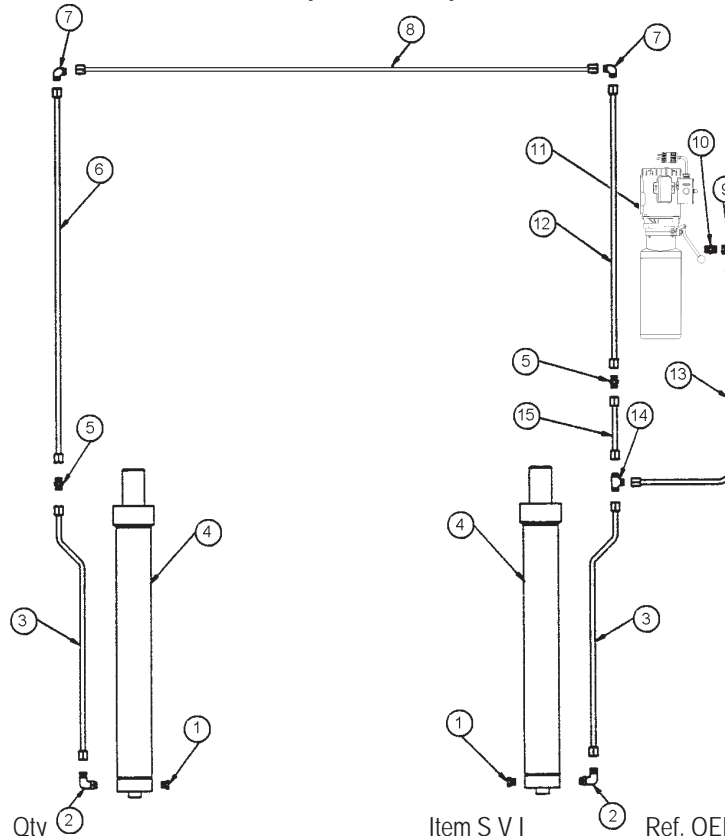
Shutoff Bar Assembly



Item S V I	Ref. OEM	Qty		
No.	Part Number	Part No.	Req.	Description
1	BH-7225-75	31063	1	Pivot Bracket
2	BH-7225-68	31129	1	Cushion 1/2 Shutoff Bar
3	BH-7225-72	31064	1	Cushion Square Shutoff Bar

Item S V I	Ref. OEM	Qty		
No.	Part Number	Part No.	Req.	Description
4	BH-7225-70	210031	1	Overhead Wire 5'
5	BH-7225-73	31166	1	Limit Switch, Overhead Square
6	BH-7225-74	31164	1	Limit Switch Bracket
7	BH-7226-26	31059	1	Overhead Channel Assembly

Overhead Hydraulic System



Item S V I	Ref. OEM	Qty		
No.	Part Number	Part No.	Req.	Description
1	BH-7228-47	200058	2	Hydraulic O-Ring Plug
2	BH-7228-56	200008	2	90° Connector, O-Ring x Tube
3	BH-7228-03	200038	2	Hydraulic Line, Cyl to Column
4*	BH-7225-10	200001	2	Hydraulic Cylinder-Need Serial #
5	BH-7229-61	31047	2	Straight Union
6	BH-7229-64	31090	1	Bottom Half Hydr Line
6	BH-7229-65	31091	1	Top Half Hyd Line
7	BH-7227-46	200007	2	90° Elbow, Tube x Tube
8	BH-7228-12	210007	1	Hydraulic Line, Overhead

Item S V I	Ref. OEM	Qty		
No.	Part Number	Part No.	Req.	Description
9	BH-7228-58	200025	1	90° Swivel Elbow
10	BH-7230-74	36048	1	O-Ring Union
11	BH-7006-01		1	2HP 1PH 3.5 Gal Power Unit
11	BH-7006-03		1	2HP 3PH 3.5 Gal Power Unit
12	BH-7229-97	280016	1	Hyd Line Tee to Overhead Power
13	BH-7228-10	200241	1	Hyd Line, Power Unit to Col
14	BH-7226-83	31032	1	Union Tee Parker
15	BH-7228-18	210022	1	Hydraulic Line Extension

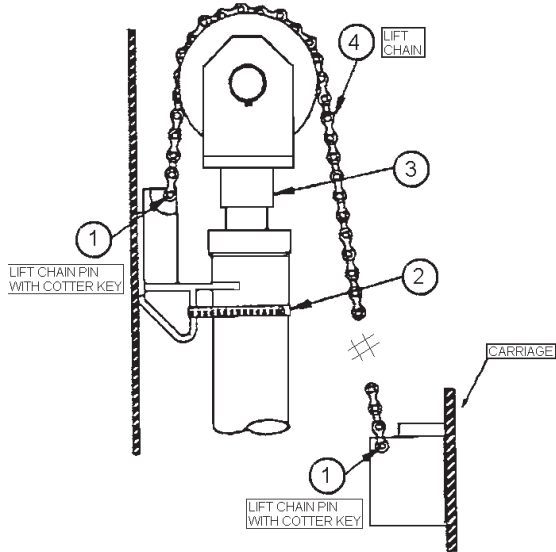
* Call with serial number to order seal kit.

To Order Call: 800-321-8173 or 630-844-5566 / Fax: 800-899-1784 or 630-844-6770

All names, numbers, symbols and descriptions are used for reference purposes only. It is not implied that any part listed is the product of these manufacturers, however, some parts may be the actual product of these manufacturers.

lift repair parts for Challenger / VBM lifts

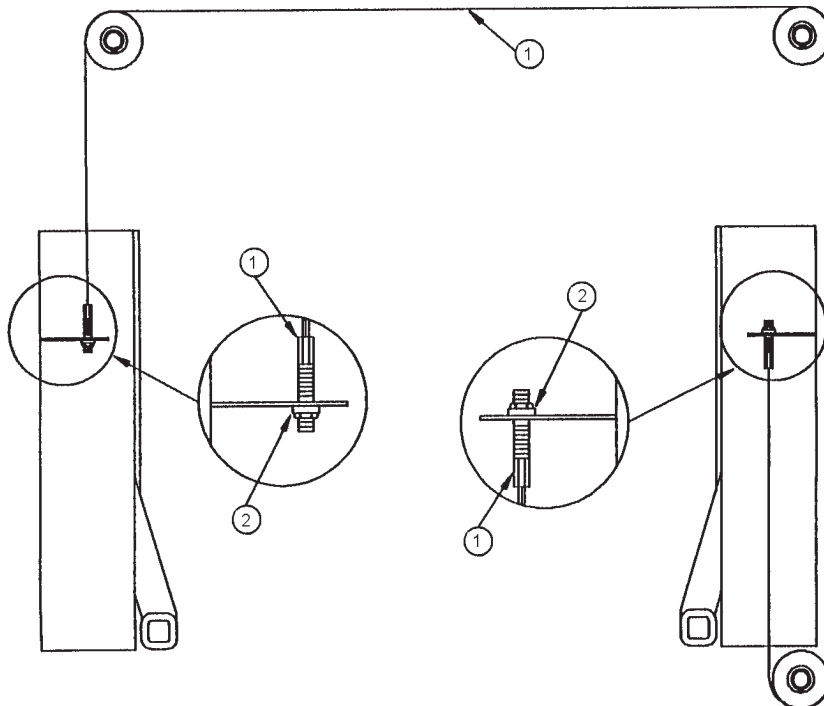
for Model 31000 Spirit
7000 lb. capacity



Drive Chain Assembly

Item S V I	Ref. OEM	Qty	
No. Part Number	Part No.	Req.	Description
1	BH-7229-09	30030	4 Lift Chain Pin
2	BH-7225-19	200047	2 Hydraulic Cylinder Clamp
3	BH-7229-04	31033	2 Cylinder Rod End Assembly
4	BH-7028	30019	74 3/4 Leaf Chain - Need two 74 pitch pcs if doing complete lift.

Equalizer Cable Arrangement



Item S V I	Ref. OEM	Qty	
No. Part Number	Part No.	Req.	Description
1	BH-7225-11	31067	2 Eq Cable Assy 32' 10"
2	F-NL-0750-10	300010	4 Adjustment Stud Locknut

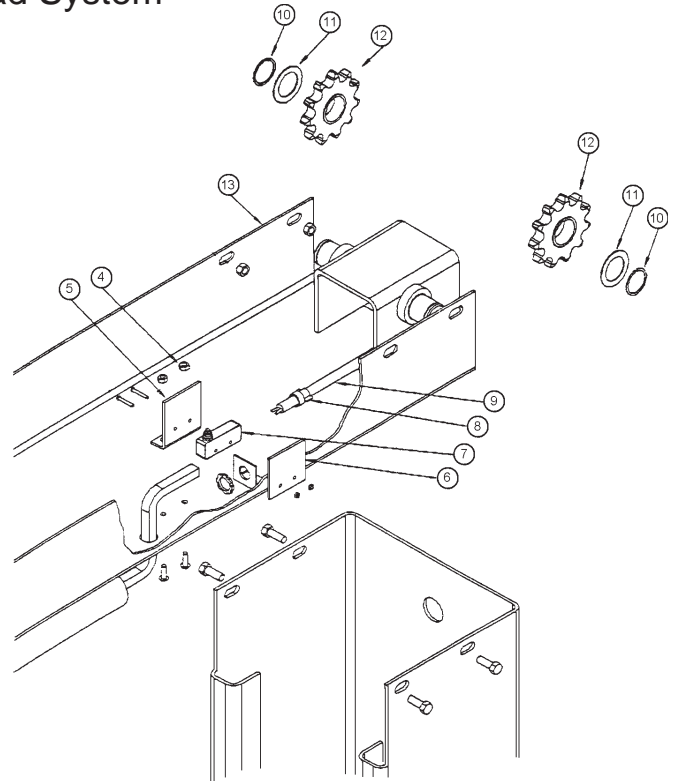
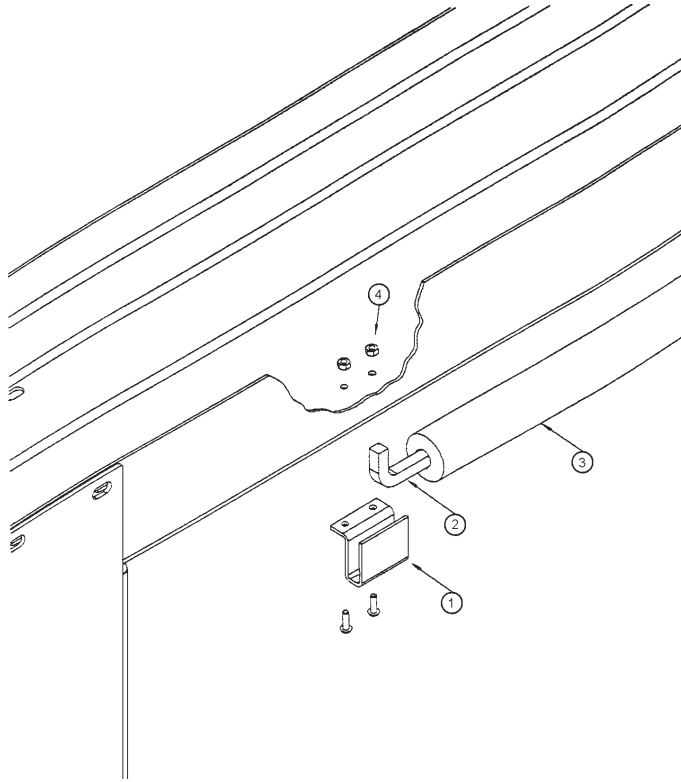
To Order Call: 800-321-8173 or 630-844-5566 / Fax: 800-899-1784 or 630-844-6770

All names, numbers, symbols and descriptions are used for reference purposes only. It is not implied that any part listed is the product of these manufacturers, however, some parts may be the actual product of these manufacturers.

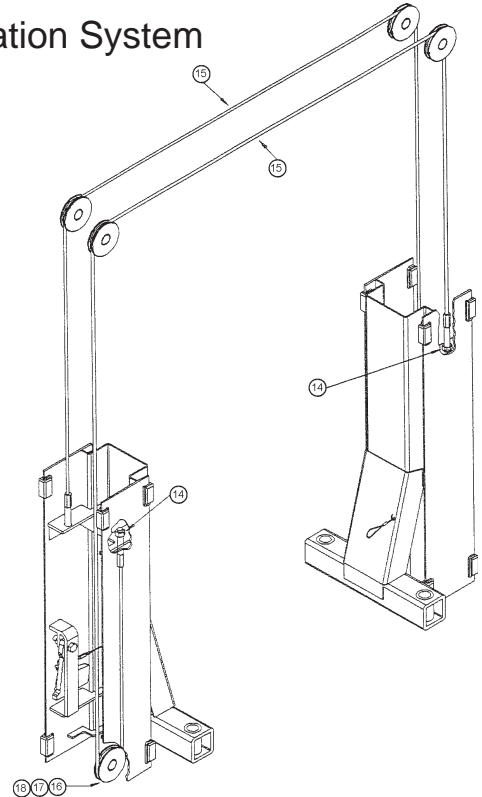
lift repair parts for Challenger / VBM lifts

for Model 31000

Overhead System



Synchronization System



Item S V I	Ref. OEM	Qty	
No.	Part Number	Part No.	Req. Description
1	BH-7225-75	31063	1 Pivot Bracket
2	BH-7228-62	31128	1 Shut Off Bar
3	BH-7225-68	31129	1 Cushion 1/2 Shut Off Bar
4	BH-7229-33	31061	4 Push Nut 1/4"
5	BH-7225-74	31164	1 Limit Switch Bracket
6	BH-7228-63	31165	1 Capture Plate - Limit Switch
7	BH-7225-73	31166	1 Limit Switch Overhead Sq.
8	BH-7228-64	31060	1 Strain Relief
9	BH-7226-88	31167	1 Limit Switch Cord
10	BH-7225-16	31021	4 1-3/8 External Snap Ring
11	BH-7226-80	31020	4 1-3/8 Washer
12	BH-7226-13	31019	4 Pulley for Eq Cable
13	BH-7226-26	31059	1 Overhead Channel Assembly
14	F-NL-0750-10	31068	4 3/4-10 Nylock Nut
15	BH-7225-11	31067	2 Eq Cable Assy 32' 10"(Old Style)
15a	BH-7225-11A		2 Eq Cable Assy 34' 4" (New Style)
16	BH-7225-16	31021	6 1-3/8 External Snap Ring
17	BH-7226-80	31020	6 1-3/8 Washer
18	BH-7226-13	31019	6 Pulley for Eq Cable

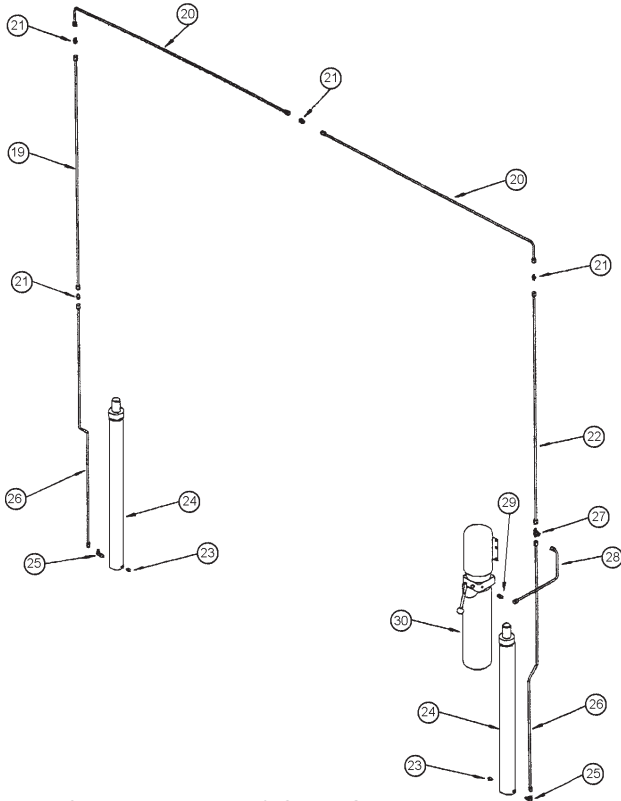
To Order Call: 800-321-8173 or 630-844-5566 / Fax: 800-899-1784 or 630-844-6770

All names, numbers, symbols and descriptions are used for reference purposes only. It is not implied that any part listed is the product of these manufacturers, however, some parts may be the actual product of these manufacturers.

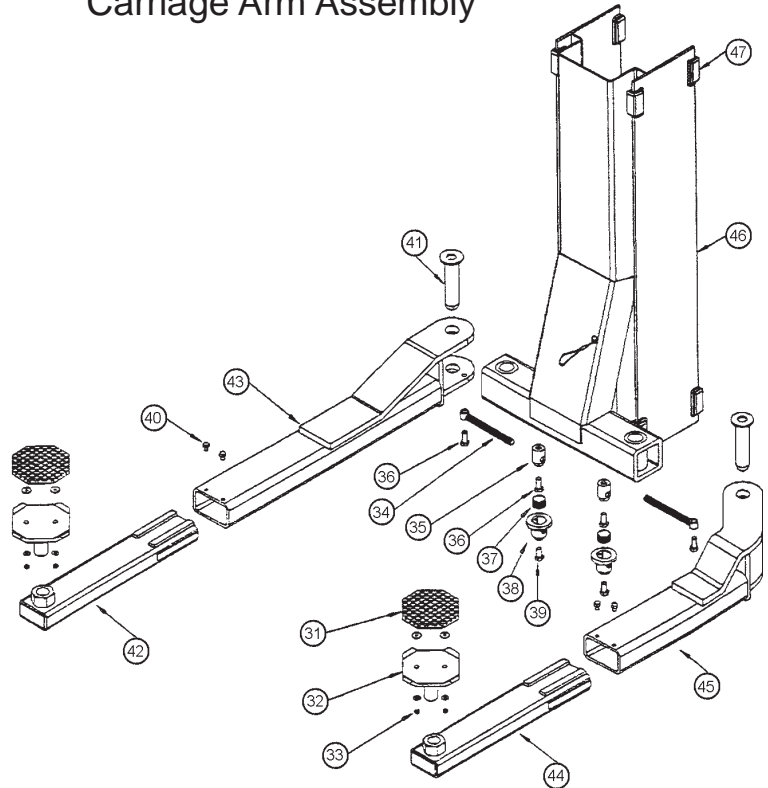
lift repair parts for Challenger / VBM lifts

for Model 31000

Hydraulic System



Carriage Arm Assembly



Item S V I No.	Part Number	Ref. OEM Part No.	Qty Req.	Description
19	BH-7226-82	31031	1	Crossover Line 140"
20	BH-7229-39	31066	2	Overhead Hydraulic Line
21	BH-7229-61	31047	4	Straight Union
22	BH-7226-82	31031	1	Crossover Line 140"
23	BH-7228-68	31088	2	9/16 SAE Plug
24*	BH-7227-52	31265	2	Hydr. Cylinder Short Stroke Holmac - Only One Available
25	BH-7229-66	31089	2	90° Elbow
26	BH-7229-64	31090	2	Bottom Half Hydraulic Line
27	BH-7226-83	31032	1	Union Tee
28	BH-7228-65	31298	1	Hyd Line. Power Unit Fenner
28	BH-7228-66	31065	1	Hyd Line. Power Unit Barnes
29	BH-7228-45	31116	1	Union. O-ring X Tube
30	BH-7006-01	31295-1	1	2HP 1PH 3.5 Gal. Power Unit
30	BH-7006-03		1	2HP 3PH 3.5 Gal. Power Unit
31	BH-7225-01	31057	4	Rubber Arm Pad Hex
32	BH-7225-03	31133	4	Adapter W/Rubber Pad
33	BH-7229-33	31061	8	Push Nut 1/4"

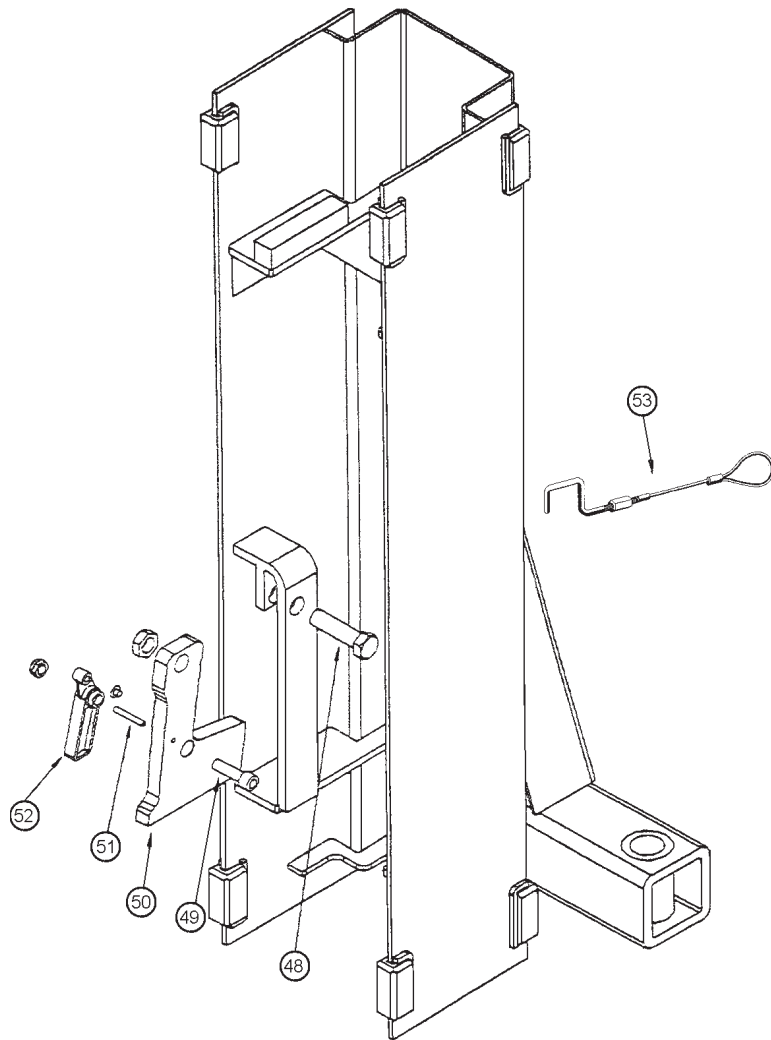
* Call with serial number to order seal kit.

Item S V I No.	Part Number	Ref. OEM Part No.	Qty Req.	Description
34	BH-7229-62	31110	4	Link Weldment
35	BH-7229-40	31108	4	Arm Restraint Insert
36	BH-7229-59	31112	8	Allen Bolt 1/2-13
37	BH-7229-60	31109	4	Spring
38	BH-7229-41	31107	4	Arm Restraint
38a	BH-7226-25	31052	4	Arm Restraint Kit W/Hardware
38b	BH-7226-57		1	Arm Restraint Kit - Complete Lift
39	F-HC-0500-13-0750	31111	4	1/2-13 x 3/4 Hex Bolt
40	F-HC-0375-16-0750	31305	8	3/8-16 x 3/4 Ext Stop Bolt
41	BH-7225-15	31134	4	Arm Pin 1-1/2" x 6"
41	BH-7225-15A		4	Arm Pin - Call W/Size
41	BH-7225-15B		4	Arm Pin - Call W/Size
41	BH-7225-15C		4	Arm Pin - Call W/Size
42	BH-7226-69A	39018	2	Arm Inner Rear
43	BH-7226-69	39017	2	Female ArmOuter-Rear Assy
44	BH-7226-69B	39019	2	Arm Inner Front
45	BH-7229-42	39016	1	Female Arm Front Right Assy
45	BH-7229-43	39015	1	Female Arm Front Left Assy
46	BH-7226-85	31077	2	Carriage
47	BH-7225-23	31023	16	Slider UHMW W/Metal Insert

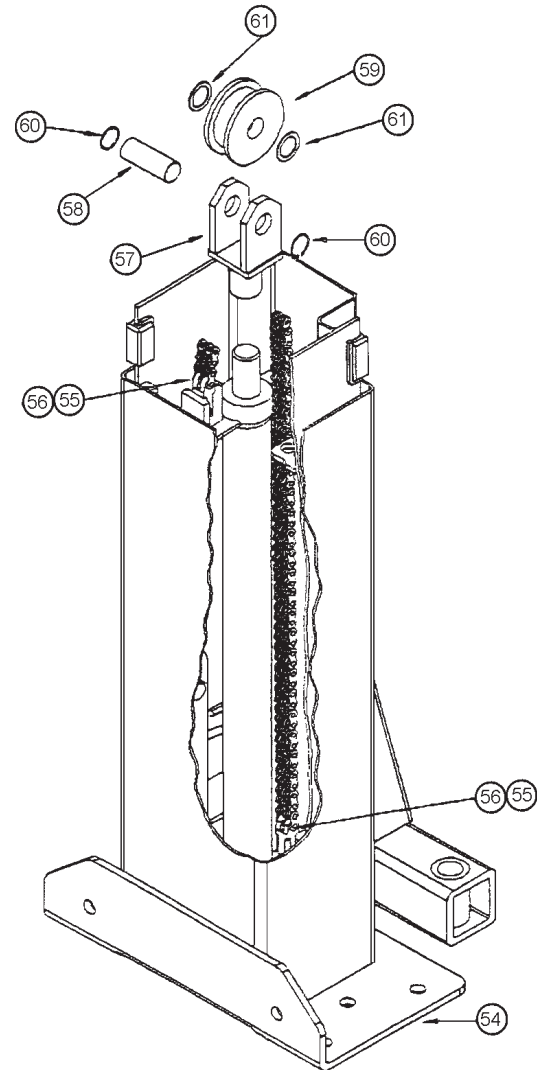
lift repair parts for Challenger / VBM lifts

for Model 31000

Locking Assembly



Lifting Assembly



Item S V I	Ref. OEM	Qty	
No. Part Number	Part No. Req.	Description	
48 F-HC-0750-16-3000	31081 2	3/4-16 x 3 Hex Bolt	
49 F-SB-0500-20-1750	31263 2	1/2-20 x 1-3/4 Shoulder Bolt	
50 BH-7229-44	31261 2	Gravity Latch	
51 F-RP-250-1750	31211 2	1/4 x 1-3/4 Roll Pin	
52 BH-7225-32	31262 2	Trigger	
53 BH-7226-01	31150/51 2	Safety Latch Release Handle	
54 BH-7229-47	31304 1	Idler Column Assembly	
54 BH-7229-46	31303 1	Power Column Assembly	

Item S V I	Ref. OEM	Qty	
No. Part Number	Part No. Req.	Description	
55 BH-7029	31079 74	3/4 Leaf Chain - 74 Pitches	
56 BH-7229-45	31297 2	Headed Pin	
57 BH-7226-86	31094 1	Cylinder Rod End Assembly	
58 BH-7225-92	31093 1	Pin - Drive Chain Roller	
59 BH-7229-03	30022 1	Lift Chain Roller 1"	
60 BH-7225-16	31021 2	1-3/8 External Snap Ring	
61 BH-7226-80	31020 2	1-3/8 Washer	

To Order Call: 800-321-8173 or 630-844-5566 / Fax: 800-899-1784 or 630-844-6770

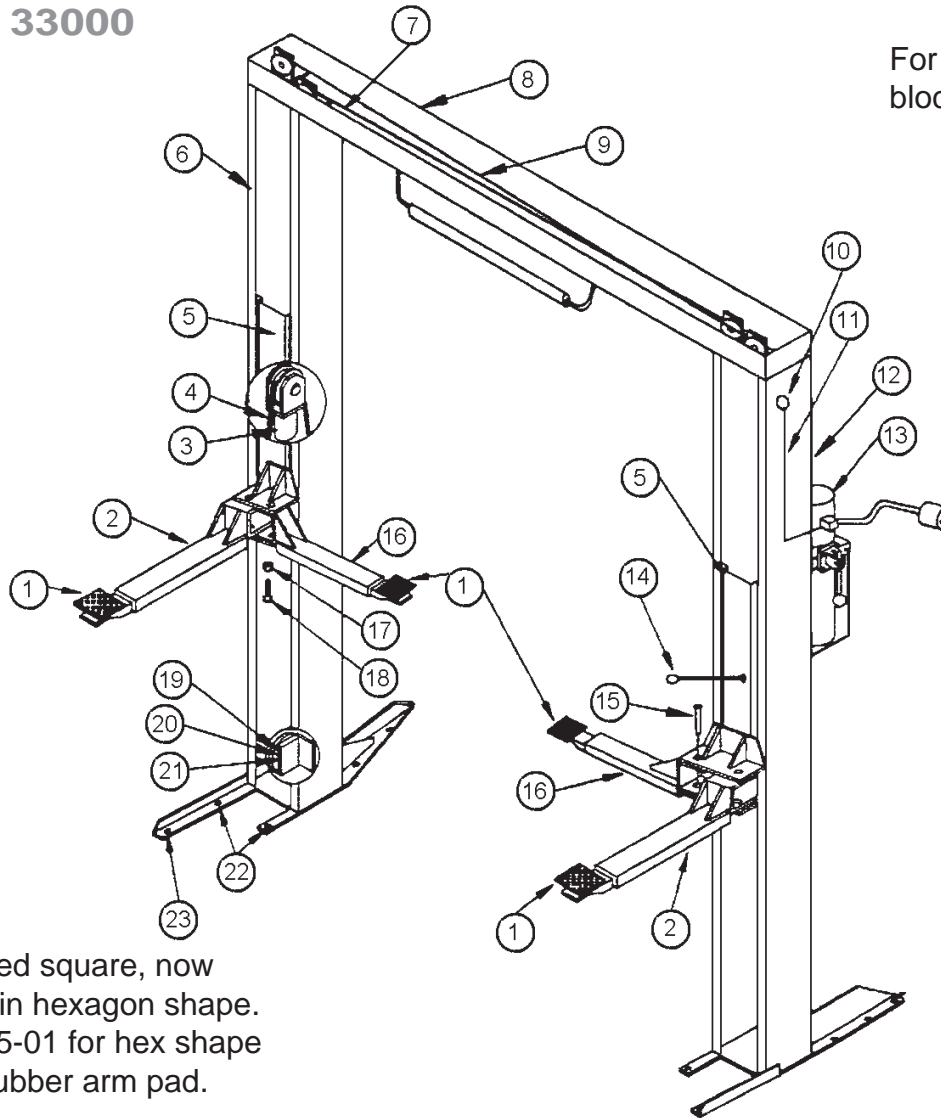
All names, numbers, symbols and descriptions are used for reference purposes only. It is not implied that any part listed is the product of these manufacturers, however, some parts may be the actual product of these manufacturers.



lift repair parts for Challenger / VBM lifts

for Model 33000

For lock latch and slider block see page 41.



Adapter pictured square, now only available in hexagon shape. Order BH-7225-01 for hex shape replacement rubber arm pad.

Item S V I	Ref. OEM	Qty	
No. Part Number	Part No.	Req.	Description
1 BH-7225-03	31133	4	Adapter 3-1/2" W/Rubber Pad
2 BH-7226-35	330009	2	Arm Rear
3 BH-7229-04	31033	2	Cylinder Rod End Assembly
4 BH-7028	30019	74	3/4 Leaf Chain - Need two 74 pitch pcs if doing complete lift.
5 BH-7226-32	330002	2	Carriage Assembly
5 BH-7226-31	330001	2	Carriage Weldment Only
6 BH-7229-77	330007	1	Complete Idler Side Column
7 BH-7225-12S	330019	1	Eq Cable Short
8 BH-7226-40	330022	1	Overhead Channel Assembly
9 BH-7225-12L	330005	1	Eq Cable Long
10 BH-7229-78	31354	1	Rubber Grommet Overhead Wire
11 BH-7225-70	210031	1	Overhead Wire 5'

Item S V I	Ref. OEM	Qty	
No. Part Number	Part No.	Req.	Description
12 BH-7229-79	330008	1	Complete Power Side Column
13 BH-7006-01	200072	1	2HP 1PH 3.5 Gal. Power Unit
13 BH-7006-03		1	2HP 3PH 3.5 Gal. Power Unit
14 BH-7226-01	31150/51	2	Safety Latch Release Handle
15 BH-7226-36	330026	4	Swivel Arm Pin
16 BH-7226-33	330003	2	Arm Front
17 F-JN-0500-13	200202	2	Jam Nut for Stop Bolt
18 F-HN-0500-13	200166	2	1/2" Stop Bolt
19 BH-7229-11	31070	6	Eq Chain Sprocket Washer
20 BH-7226-13	31019	6	Pulley for Eq Cable
21 BH-7225-16	31021	6	1-3/8 External Snap Ring
22 BH-7228-55	210047	4	Plastic Plug for Base
23 BH-7075-03	31058	6	3/4" x 5-1/2" Anchor Bolts

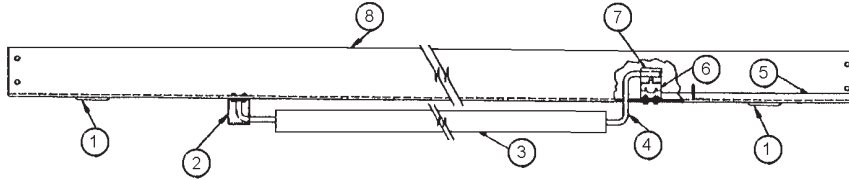
To Order Call: 800-321-8173 or 630-844-5566 / Fax: 800-899-1784 or 630-844-6770

All names, numbers, symbols and descriptions are used for reference purposes only. It is not implied that any part listed is the product of these manufacturers, however, some parts may be the actual product of these manufacturers.

lift repair parts for Challenger / VBM lifts

for Model 33000

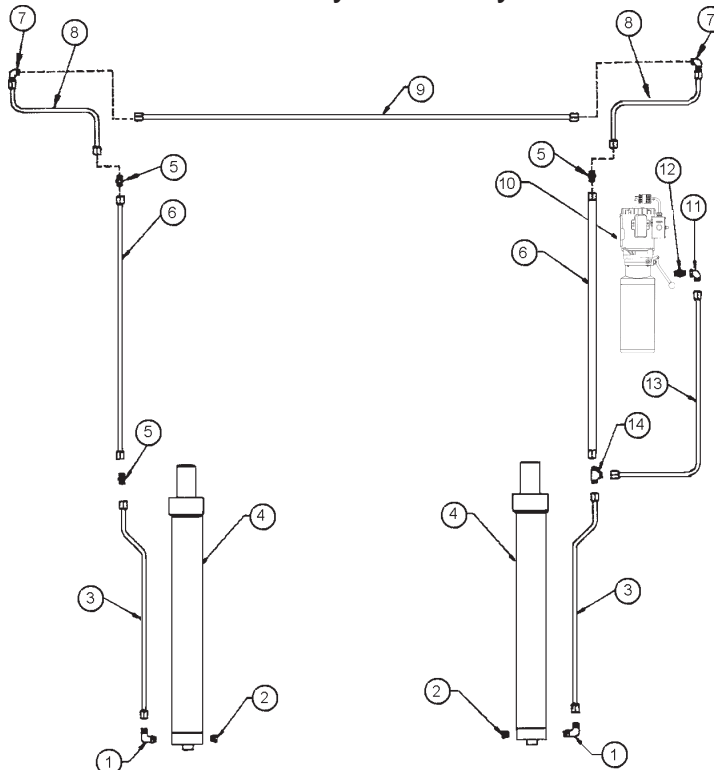
Shutoff Bar Assembly



Item S V I	Ref. OEM	Qty		
No.	Part Number	Part No.	Req.	Description
1	BH-7225-66	210021	2	Rubber Grommet Top
2	BH-7225-75	31063	2	Pivot Bracket
3	BH-7225-68	31129	1	Cushion 1/2 Shutoff Bar
4	BH-7225-72	31064	1	Shutoff Bar Square

Item S V I	Ref. OEM	Qty		
No.	Part Number	Part No.	Req.	Description
5	BH-7225-70	210031	1	Overhead Wire 5'
6	BH-7225-73	31166	1	Limit Switch, Overhead Sq
7	BH-7225-74	31164	1	Limit Switch Bracket
8	BH-7226-40	330022	1	Overhead Channel Assembly

Overhead Hydraulic System



Item S V I	Ref. OEM	Qty		
No.	Part Number	Part No.	Req.	Description
1	BH-7228-56	200008	2	90° Connector, O-Ring x Tube
2	BH-7228-47	200058	2	Hydraulic O-Ring Plug
3	BH-7228-35	330012	2	Hydraulic Line, Cyl. To Tee
4*	BH-7225-10	200001	2	Hydraulic Cylinder-Need Serial #
5	BH-7229-61	31047	3	Straight Union
6	BH-7228-36	330013	2	Hyd Line, Tee To Col Top ds
7	BH-7227-46	200007	2	90° Elbow, Tube x Tube

Item S V I	Ref. OEM	Qty		
No.	Part Number	Part No.	Req.	Description
8	BH-7228-37	330014	2	Hyd Line, Top Col to Ovrhd
9	BH-7228-34	330011	1	Hydraulic Line, Overhead
10	BH-7006-01	200072	1	2HP 1PH 3.5 Gal. Power Unit
10	BH-7006-03		1	2HP 3PH 3.5 Gal. Power Unit
11	BH-7227-45	36051	1	90° Swivel Elbow
12	BH-7230-74	36048	1	O-Ring Union
13	BH-7228-38	330016	1	Hyd Line, Power Unit to Tee
14	BH-7226-83	31032	1	Union Tee Parker

* Call with serial number to order seal kit.

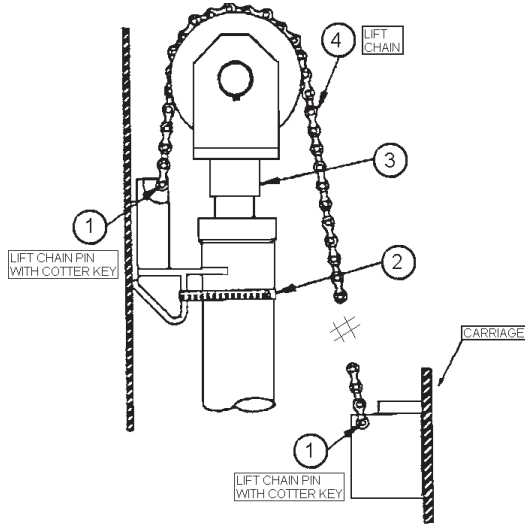
To Order Call: 800-321-8173 or 630-844-5566 / Fax: 800-899-1784 or 630-844-6770

All names, numbers, symbols and descriptions are used for reference purposes only. It is not implied that any part listed is the product of these manufacturers, however, some parts may be the actual product of these manufacturers.

lift repair parts for Challenger / VBM lifts

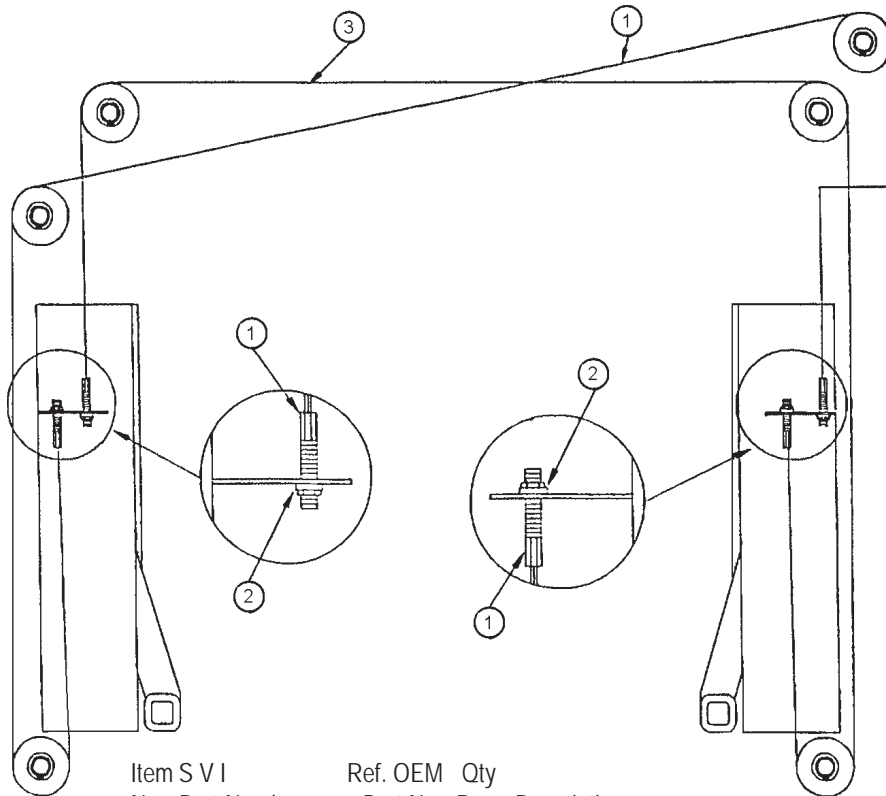
for Model 33000

Drive Chain Assembly



Item S V I	Ref. OEM	Qty	
No.	Part Number	Part No.	Req. Description
1	BH-7229-09	30030	4 Lift Chain Pin
2	BH-7225-19	200047	2 Hydraulic Cylinder Clamp
3	BH-7229-04	31033	2 Cylinder Rod End Assembly
4	BH-7028	30019	74 3/4 Leaf Chain - Need two 74 pitch pcs if doing complete lift.

Equalizer Cable Arrangement



Item S V I	Ref. OEM	Qty	
No.	Part Number	Part No.	Req. Description
1	BH-7225-12L	330005	2 Eq Cable Long
2	F-NL-0875-14	26055	4 7/8-14 Adjustment Lug
3	BH-7225-12S	330019	1 Eq Cable Short

To Order Call: 800-321-8173 or 630-844-5566 / Fax: 800-899-1784 or 630-844-6770

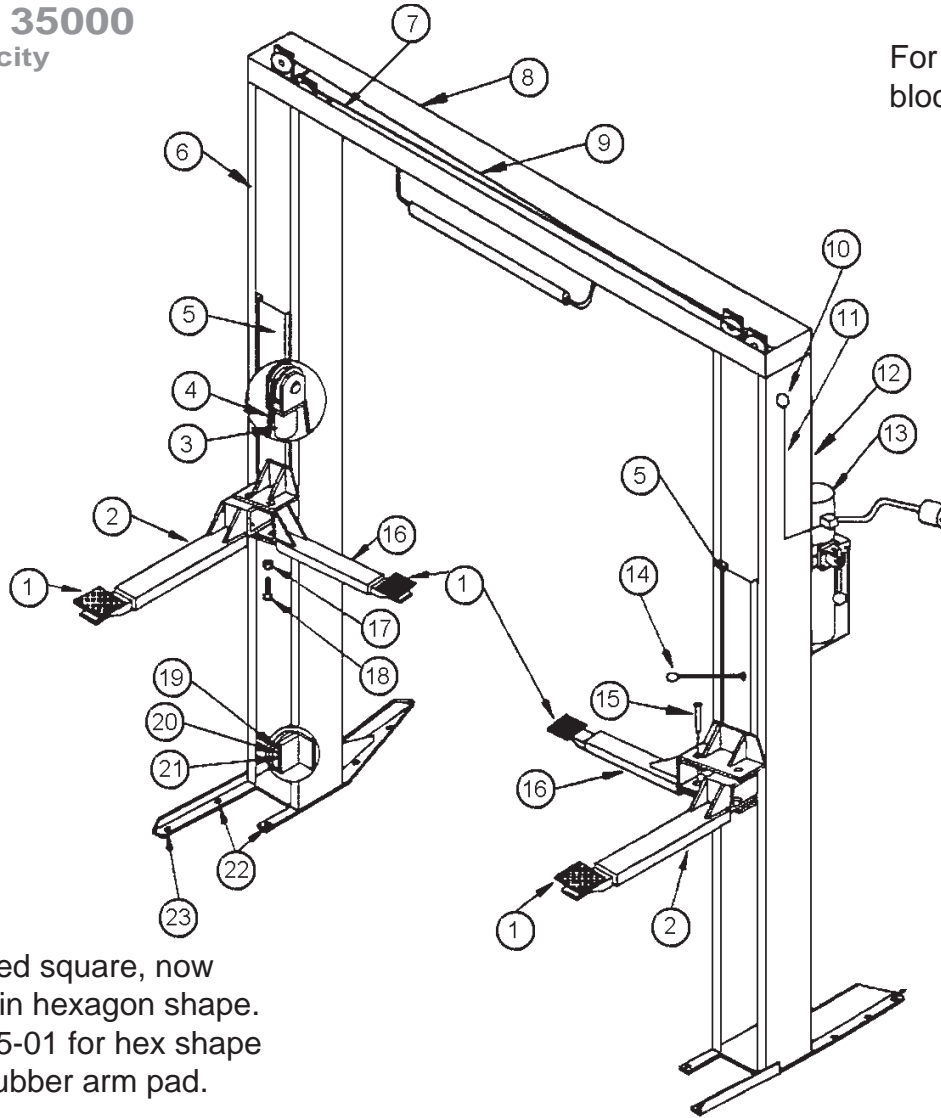
All names, numbers, symbols and descriptions are used for reference purposes only. It is not implied that any part listed is the product of these manufacturers, however, some parts may be the actual product of these manufacturers.



lift repair parts for Challenger / VBM lifts

for Model 35000
7000 lb. capacity

For lock latch and slider block see page 41.



Adapter pictured square, now only available in hexagon shape. Order BH-7225-01 for hex shape replacement rubber arm pad.

Item S V I	Ref. OEM	Qty	
No. Part Number	Part No.	Req.	Description
1 BH-7225-03	31133	4	Adapter 3-1/2" W/Rubber Pad
2 BH-7226-35	330009	2	Arm Rear
3 BH-7229-04	31033	2	Cylinder Rod End Assembly
4 BH-7028	30019	74	3/4 Leaf Chain - Need two 74 pitch pcs if doing complete lift.
5 BH-7226-47	350007	2	Carriage Assembly
5 BH-7226-46	350006	2	Carriage Weldment Only
6 BH-7230-66	350016	1	Complete Idler Side Column
7 BH-7226-50	350015	1	Eq Cable 31' 10"
8 BH-7226-52	350021	1	Overhead Channel Assembly
9 BH-7225-12L	330005	2	Eq Cable Long
10 BH-7229-78	31354	1	Rubber Grommet Ovrhd Wire
11 BH-7225-70	210031	1	Overhead Wire 5'

Item S V I	Ref. OEM	Qty	
No. Part Number	Part No.	Req.	Description
12 BH-7230-67	350019	1	Complete Power Side Column
13 BH-7006-01	200076	1	2HP 1PH 3.5 Gal. Power Unit
13 BH-7006-03		1	2HP 3PH 3.5 Gal. Power Unit
14 BH-7226-01	31150/51	2	Safety Latch Release Handle
15 BH-7226-36	330026	4	Swivel Arm Pin
16 BH-7226-33	330003	2	Arm Front
17 F-JN-0500-13	200202	2	Jam Nut for Stop Bolt
18 F-HN-0500-13	200166	2	1/2" Stop Bolt
19 BH-7229-11	31070	6	Eq Chain Sprocket Washer
20 BH-7226-13	31019	6	Pulley for Eq Cable
21 BH-7225-16	31021	6	1-3/8 External Snap Ring
22 BH-7228-55	210047	4	Plastic Plug for Base
23 BH-7075-03	31058	6	3/4" x 5-1/2" Anchor Bolts

To Order Call: 800-321-8173 or 630-844-5566 / Fax: 800-899-1784 or 630-844-6770

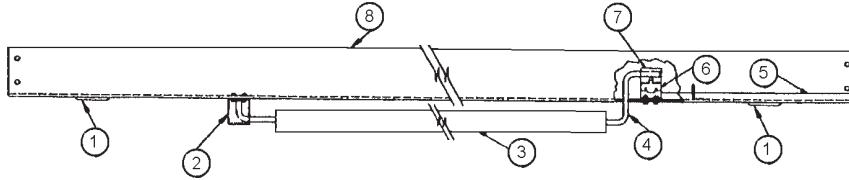
All names, numbers, symbols and descriptions are used for reference purposes only. It is not implied that any part listed is the product of these manufacturers, however, some parts may be the actual product of these manufacturers.



lift repair parts for Challenger / VBM lifts

for Model 35000
7000 lb. capacity

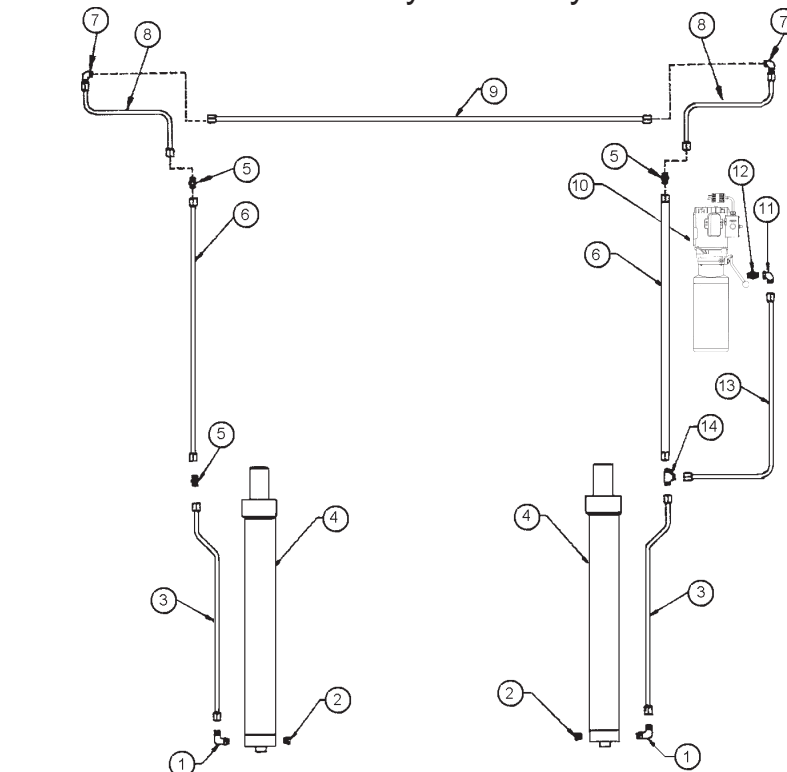
Shutoff Bar Assembly



Item S V I	Ref. OEM	Qty		
No.	Part Number	Part No.	Req.	Description
1	BH-7230-68	330023	2	Rubber Grommet Hyd Line
2	BH-7225-75	31063	2	Pivot Bracket
3	BH-7225-68	31129	1	Cushion 1/2 Shutoff Bar
4	BH-7225-72	31064	1	Shutoff Bar Square

Item S V I	Ref. OEM	Qty		
No.	Part Number	Part No.	Req.	Description
5	BH-7225-70	210031	1	Overhead Wire 5'
6	BH-7225-73	31166	1	Limit Switch, Overhead Sq
7	BH-7225-74	31164	1	Limit Switch Bracket
8	BH-7226-52	350021	1	Overhead Channel Assembly

Overhead Hydraulic System



Item S V I	Ref. OEM	Qty		
No.	Part Number	Part No.	Req.	Description
1	BH-7228-56	200008	2	90° Connector, O-Ring x Tube
2	BH-7228-47	200058	2	Hydraulic O-Ring Plug
3	BH-7228-35	330012	2	Hydraulic Line, Cyl. To Tee
4	BH-7225-10*	200001	2	Hydraulic Cylinder-Need Serial #
5	BH-7229-61	31047	3	Straight Union
6	BH-7228-36	330013	2	Hydr Line, Tee To Col Top ds
7	BH-7227-46	200007	2	90° Elbow, Tube x Tube

Item S V I	Ref. OEM	Qty		
No.	Part Number	Part No.	Req.	Description
8	BH-7228-37	330014	2	Hydr Line, Top Col to Ovrhd
9	BH-7228-34	330011	1	Hydraulic Line, Overhead
10	BH-7006-01	200072	1	2HP 1PH 3.5 Gal. Power Unit
10	BH-7006-03		1	2HP 3PH 3.5 Gal. Power Unit
11	BH-7227-45	36051	1	90° Swivel Elbow
12	BH-7230-74	36048	1	O-Ring Union
13	BH-7228-38	330016	1	Hyd Line, Power Unit to Tee
14	BH-7226-83	31032	1	Union Tee Parker

* Call with serial number to order seal kit.

To Order Call: 800-321-8173 or 630-844-5566 / Fax: 800-899-1784 or 630-844-6770

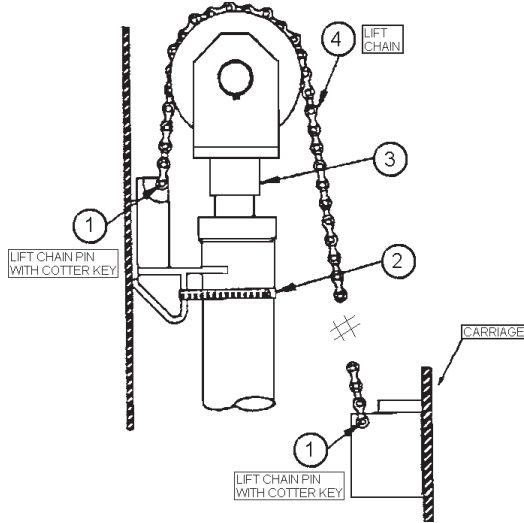
All names, numbers, symbols and descriptions are used for reference purposes only. It is not implied that any part listed is the product of these manufacturers, however, some parts may be the actual product of these manufacturers.

lift repair parts for Challenger / VBM lifts

for Model 35000

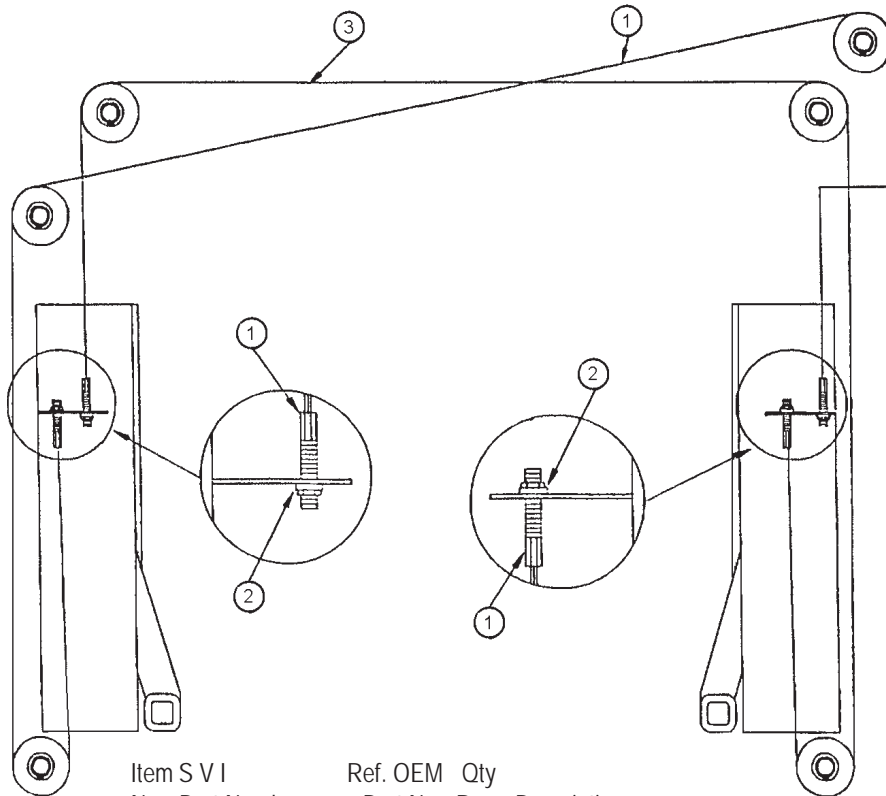
7000 lb. capacity

Drive Chain Assembly



Item S V I	Ref. OEM	Qty	
No.	Part Number	Part No.	Req. Description
1	BH-7229-09	30030	4 Lift Chain Pin
2	BH-7225-19	200047	2 Hydraulic Cylinder Clamp
3	BH-7229-04	31033	2 Cylinder Rod End Assembly
4	BH-7028	30019	74 3/4 Leaf Chain - Need two 74 pitch pcs if doing complete lift.

Equalizer Cable Arrangement



Item S V I	Ref. OEM	Qty	
No.	Part Number	Part No.	Req. Description
1	BH-7226-49	35014	1 Eq Cable 33'
2	F-NL-0750-10	300010	4 Adjustment Stud Locknut
3	BH-7226-50	330015	1 Eq Cable 31' 10"

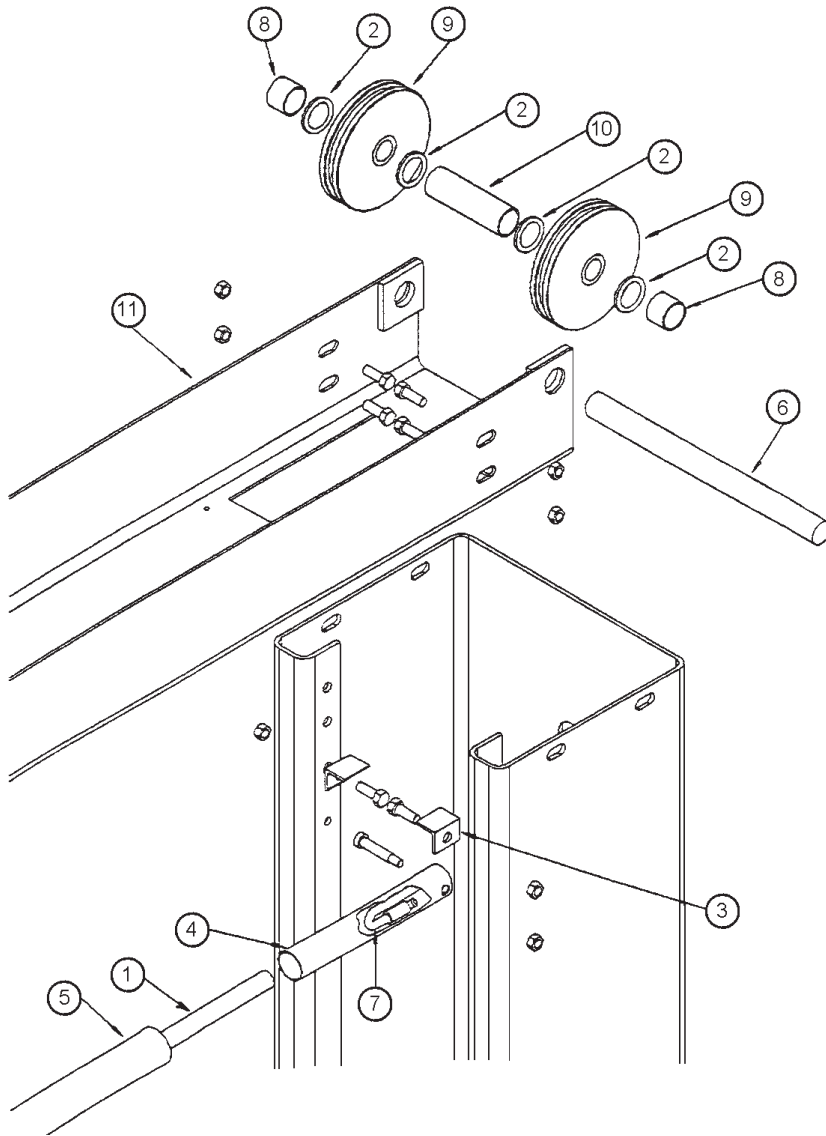
To Order Call: 800-321-8173 or 630-844-5566 / Fax: 800-899-1784 or 630-844-6770

All names, numbers, symbols and descriptions are used for reference purposes only. It is not implied that any part listed is the product of these manufacturers, however, some parts may be the actual product of these manufacturers.

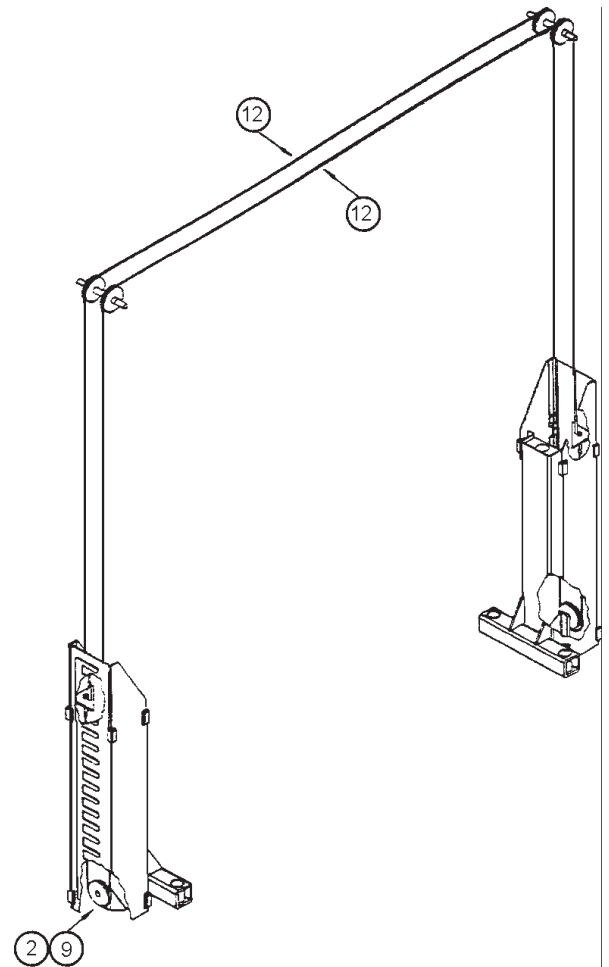
lift repair parts for Challenger / VBM lifts

for Models 36000, 37000, 39000
 7000 lb. capacity for models 36000 & 37000
 9000 lb. capacity for model 39000

Overhead System



Equalization System



Item SVI No.	Part Number	Ref. OEM Part No.	Qty Req.	Description
1	BH-7226-99	36035	1	Overhead Shutoff Bar Assy.
2	BH-7229-36	36013	1	1" Washer
3	BH-7229-80	36064	4	Clip Angle
4	BH-7226-97	36026	1	Switch Tube
5	BH-7225-68	31129	1	Cushion 1/2 Shutoff Bar
6	BH-7229-81	36024	2	Sheave Pin

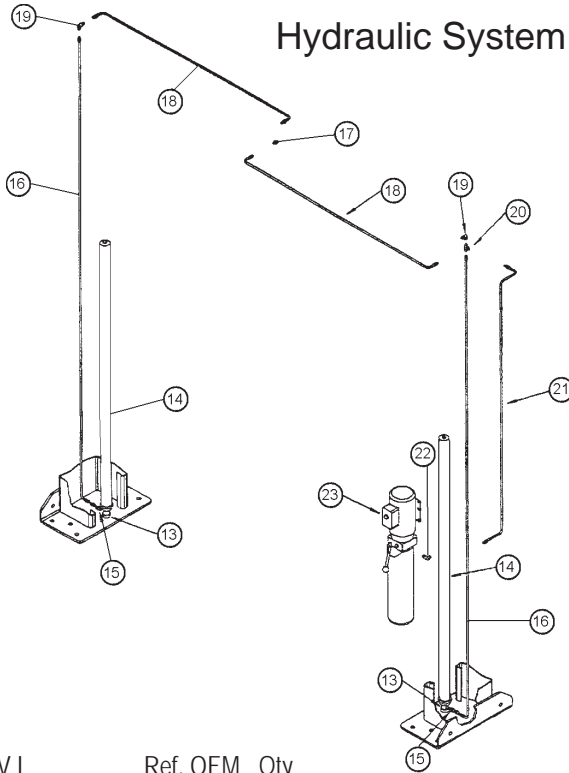
Item SVI No.	Part Number	Ref. OEM Part No.	Qty Req.	Description
7	BH-7229-37	36027	1	Mercury Limit Switch-21' Cord
8	BH-7229-35	36087	4	Spacer 7/8"
9	BH-7229-34	36025	4	Pulley/Sheave Assembly
10	BH-7227-05	36086	2	Long Spacer
11	BH-7226-70	36034	1	Overhead Crossbeam
12	BH-7229-30	36036	2	Eq Cable 33'10"

To Order Call: 800-321-8173 or 630-844-5566 / Fax: 800-899-1784 or 630-844-6770

All names, numbers, symbols and descriptions are used for reference purposes only. It is not implied that any part listed is the product of these manufacturers, however, some parts may be the actual product of these manufacturers.

lift repair parts for Challenger / VBM lifts

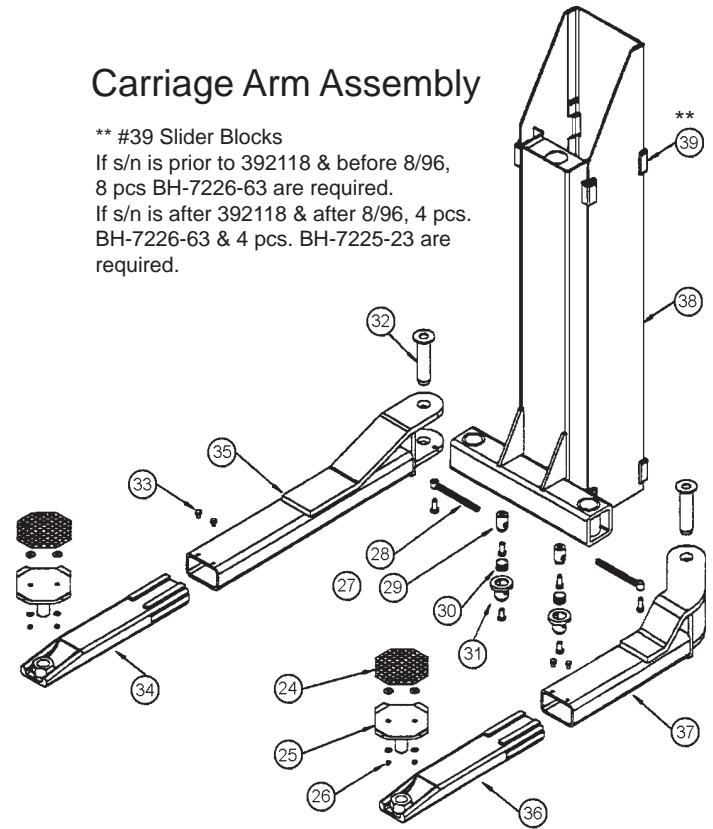
for Models 36000, 37000, 39000
 7000 lb. capacity for models 36000 & 37000
 9000 lb. for model 39000



Hydraulic System

Carriage Arm Assembly

** #39 Slider Blocks
 If s/n is prior to 392118 & before 8/96,
 8 pcs BH-7226-63 are required.
 If s/n is after 392118 & after 8/96, 4 pcs.
 BH-7226-63 & 4 pcs. BH-7225-23 are
 required.



Item S V I	Ref. OEM	Qty	
No. Part Number	Part No.	Req.	Description
13	BH-7229-33	31061	2 Push Nut 1/4"
14*	BH-7228-72	36115	2 Hydraulic Cylinder
15	BH-7228-45	31116	2 Union O-Ring X Tube
16	BH-7229-82	36049	2 Hydraulic Line
17	BH-7229-61	31047	1 Straight Union
18	BH-7229-83	36032	2 Hydraulic Line - Overhead
19	BH-7227-45	36051	2 9/16 Swivel Elbow
20	BH-7226-83	31032	1 Union Tee Parker
21	BH-7229-68	36033	1 Hydraulic Line (Barnes)
21	BH-7229-84	36128	1 Hydraulic Line (Fenner)
22	BH-7229-66	31089	2 90° Elbow
23	BH-7006-01		1 2HP 1PH 3.5 Gal. Power Unit
23	BH-7006-03		1 2HP 3PH 3.5 Gal. Power Unit
24	BH-7225-01	31057	4 Arm Pad Kit (4)
25	BH-7225-03	31133	4 Adapter 3-1/2" W/Rubber Pad
26	BH-7229-33	31061	8 Push Nut 1/4"
27	BH-7226-25	31052	4 Arm Restraint Kit W/Hardware
27a	BH-7226-57		1 Arm Restraint Kit - Complete Lift
28	BH-7229-62	31110	4 Link Weldment
29	BH-7229-40	31108	4 Arm Restraint Insert
30	BH-7229-60	31109	4 Spring
31	BH-7229-41	31107	4 Arm Restraint

* Call with serial number to order seal kit.

Item S V I	Ref. OEM	Qty	
No. Part Number	Part No.	Req.	Description
32	BH-7225-15	31134	4 Arm Pin 1-1/2" x 6"
32	BH-7225-15A		4 Arm Pin - Call W/Size
32	BH-7225-15B		4 Arm Pin - Call W/Size
32	BH-7225-15C		4 Arm Pin - Call W/Size
33	F-HC-0375-16-0750	31305	8 Ext. Stop Bolts 3/8-16X3/4
34	BH-7227-56	37044	2 Arm Inner Rear for 36 & 37000
34	BH-7226-69C	39074	2 Arm Inner Rear for 39000
35	BH-7226-69	39017	2 Female Arm Outer-Rear Assy For 36000, 37000, & 39000
36	BH-7227-58	37047	2 Arm Inner Front for 36 & 37000
36	BH-7226-69B	39019	2 Arm Inner Front for 39000
37	BH-7228-76	39076	1 Arm Outer LF for 36, 37, & 39000
37	BH-7228-76A	39077	1 Arm Outer RF for 36, 37, & 39000
38	BH-7227-64	37086	2 Carriage 3" Lock Intervals For 36000 & 37000
38	BH-7227-79	39053	2 Carriage 3" Lock Intervals For 39000
38a	BH-7229-85	11099	2 Carriage 6" Lock Intervals For 36000 & 37000
38a	BH-7229-86	11100	2 Carriage 6" Lock Intervals For 39000
39	BH-7225-23	31023	** Slider Block W/Metal Insert
39	BH-7226-63	36011	** Slide Block

To Order Call: 800-321-8173 or 630-844-5566 / Fax: 800-899-1784 or 630-844-6770

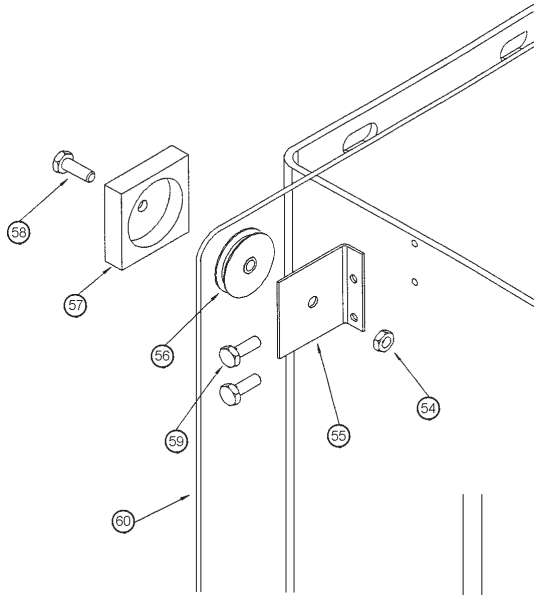
All names, numbers, symbols and descriptions are used for reference purposes only. It is not implied that any part listed is the product of these manufacturers, however, some parts may be the actual product of these manufacturers.

lift repair parts for Challenger / VBM lifts

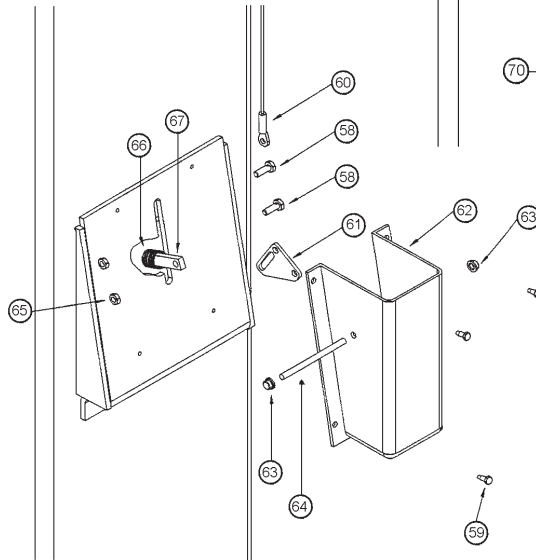
Lock Release System

for Model 36000
7000 lb. capacity

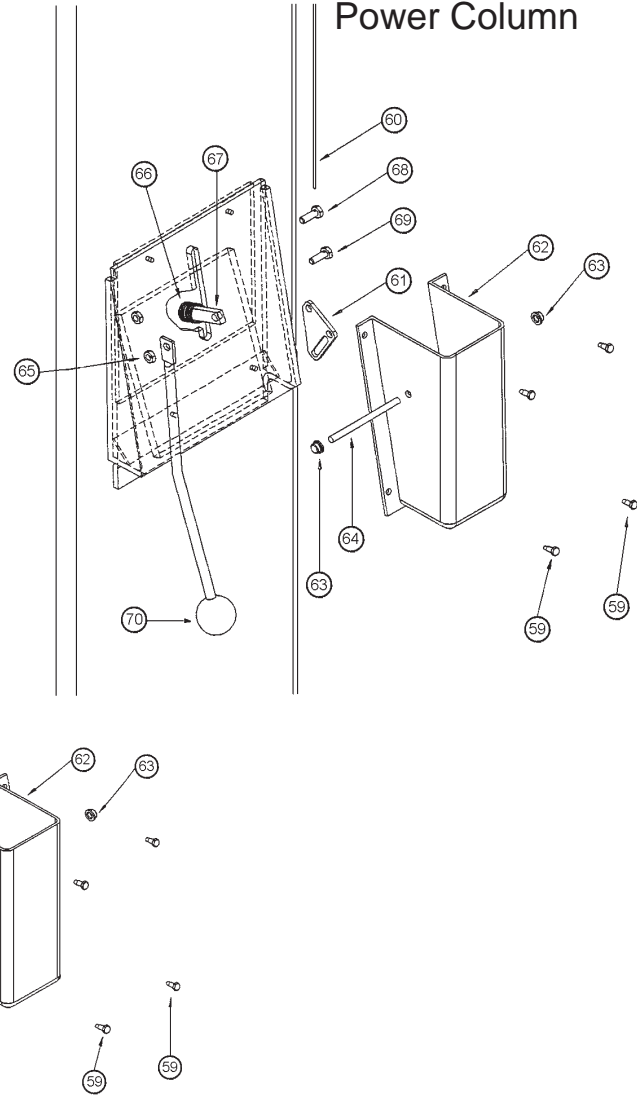
Top of Column



Idler Column



Power Column



Item S V I	Ref. OEM	Qty		
No.	Part Number	Part No.	Req.	Description
54	BH-7229-33	31061	1	Push Nut 1/4-20
55	BH-7229-32	36053	1	Pulley Bracket
56	BH-7229-20	36054	1	Pulley
57	BH-7229-21	36052	1	Pulley Housing
58	F-HC-0250-20-1000	36095	1	Hex Bolt 1/4 - 20 X 1
59	BH-7229-26	36055	2	Self Tapping Bolt
60	BH-7225-38	36029	1	Lock Release Cable
61	BH-7229-19	36062	1	Pivot Link
62	BH-7229-24	36031	1	Lock Cover (Screw On)

Item S V I	Ref. OEM	Qty		
No.	Part Number	Part No.	Req.	Description
63	BH-7229-25	36061	2	Push Nut 1/4"
64	BH-7225-50	36060	1	Pivot Rod
65	F-NI-0250-20	36059	2	Lock Nut 1/4 - 20
66	BH-7229-28	36057	1	Compression Spring
67	BH-7226-98	36030	1	Latch
68	BH-7229-22	36058	1	Adjusting Bolt
69	F-HC-0250-20-1000	36095	1	Hex Bolt 1/4 - 20 X 1
70	BH-7225-44	36028	1	Handle Assembly

To Order Call: 800-321-8173 or 630-844-5566 / Fax: 800-899-1784 or 630-844-6770

All names, numbers, symbols and descriptions are used for reference purposes only. It is not implied that any part listed is the product of these manufacturers, however, some parts may be the actual product of these manufacturers.



lift repair parts for Challenger / VBM lifts

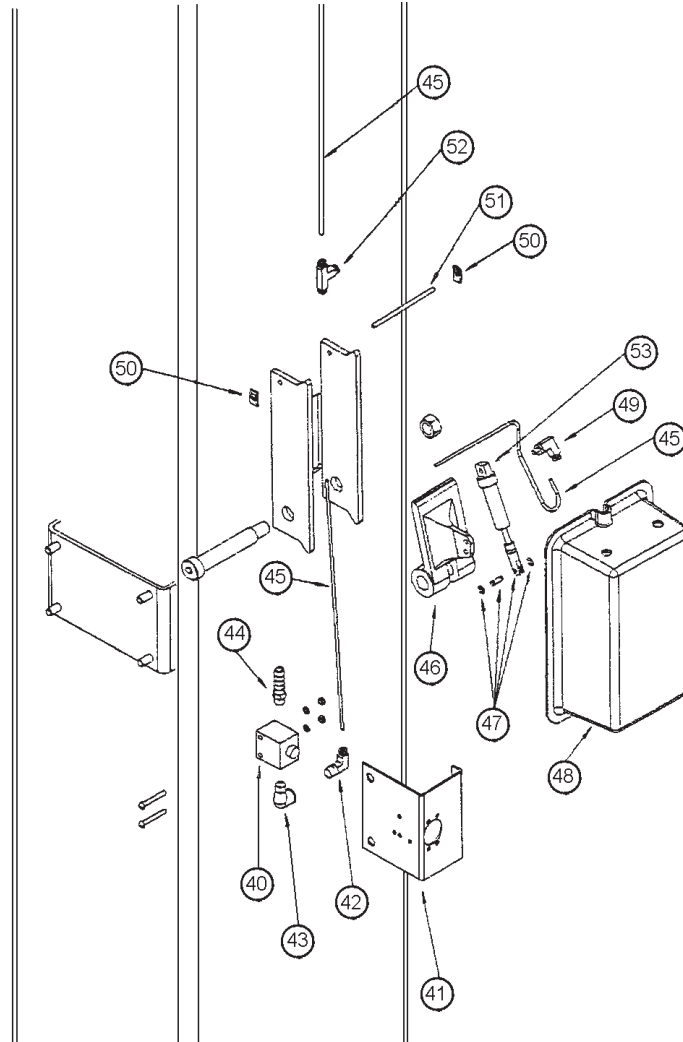
for Models 37000, 39000, 70000

7000 lb. capacity for model 37000

9000 lb. capacity for models 39000 & 70000

Air Lock Release System

For Mechanical Lock Release Order:			
BH-7227-68	37098	1	T-Handle w/Short Cable
BH-7227-67	37097	2	Cable Stop
BH-7227-72	37125	1	Lock Release Cable



Item S V I	Ref. OEM	Qty	
No. Part Number	Part No.	Req.	Description
40	BH-7228-73	37016	1 Lock Release Air Valve Switch
41	BH-7229-87	37015	1 Valve Bracket
42	BH-7228-78	37019	1 90° Elbow
43	BH-7229-88	37020	1 90° Elbow
44	BH-7229-89	37021	1 3/8" Hose Barb
45	BH-7229-90	37035	1 Air Line
46	BH-7229-31	37081	2 Lock Pawl
47	BH-7229-52	37029	2 Air Cylinder Clevis 37 & 39000

Item S V I	Ref. OEM	Qty	
No. Part Number	Part No.	Req.	Description
47	BH-7230-69	37120	2 Air Cylinder Clevis 70000
48	BH-7229-70	37072	2 Lock Cover (Snap On)
48	BH-7227-55	37034	2 Cover (Bolt On)
49	BH-7229-53	37041	2 Swivel Elbow
50	BH-7229-54	37031	4 Speed Nut
51	BH-7229-55	37042	2 Pivot Rod Element
52	BH-7228-77	37032	1 Union tee 1/8 Tube
53	BH-7229-29	37026	2 Air Cylinder

To Order Call: 800-321-8173 or 630-844-5566 / Fax: 800-899-1784 or 630-844-6770

All names, numbers, symbols and descriptions are used for reference purposes only. It is not implied that any part listed is the product of these manufacturers, however, some parts may be the actual product of these manufacturers.

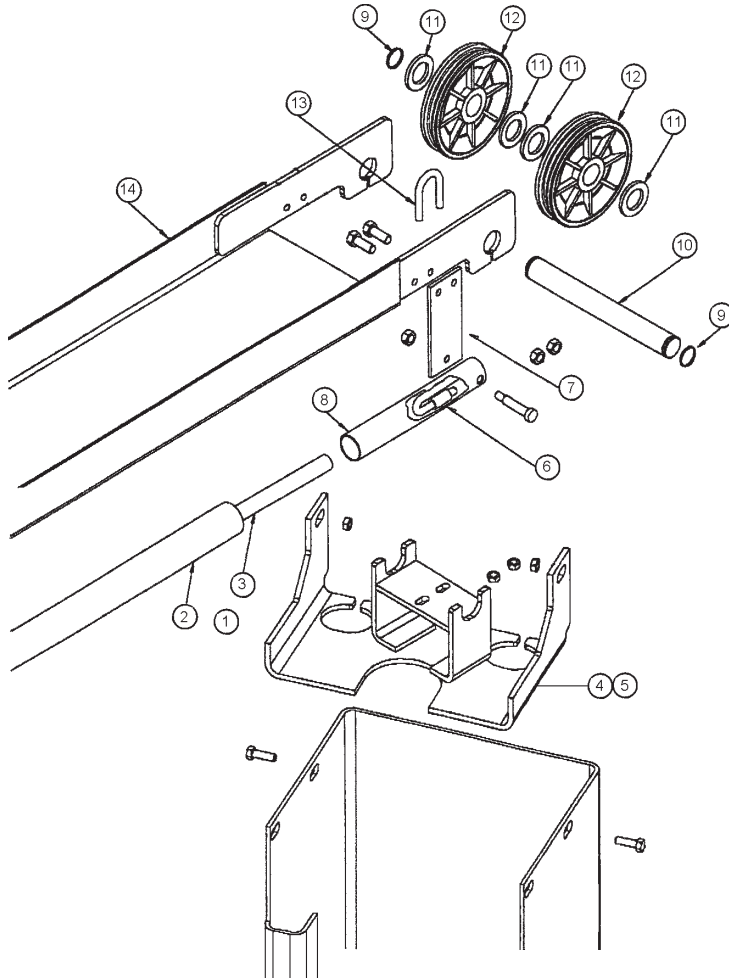


lift repair parts for Challenger / VBM lifts

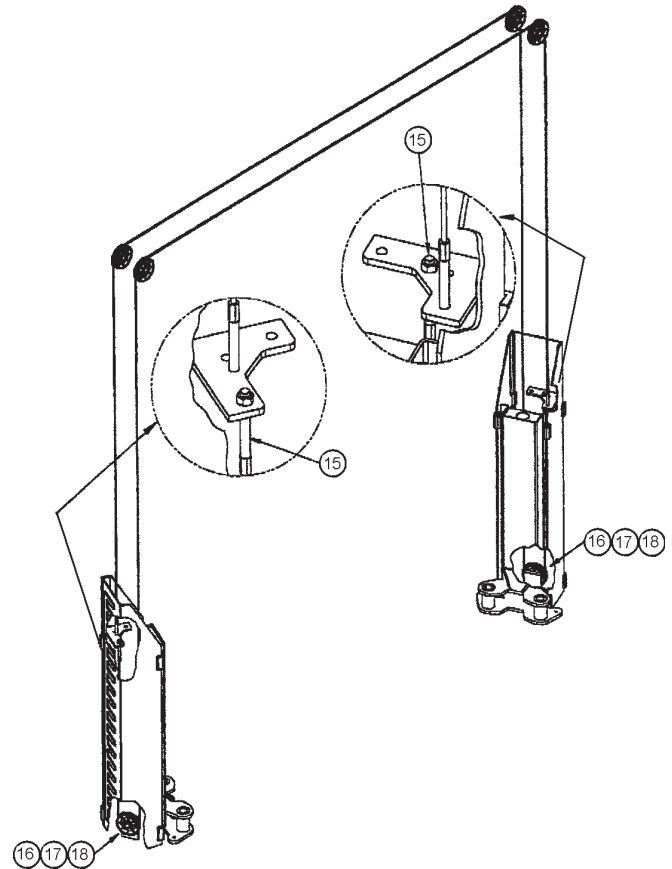
for Model 70000
9000 lb. capacity

For air lock release system
see page 38.

Overhead System



Equalization System



Item S V I	Ref. OEM	Qty		
No.	Part Number	Part No.	Req.	Description
1	BH-7227-94	70096	1	Shut Off Bar Assembly
2	BH-7225-68	31129	1	Cushion 1/2 Shut Off Bar
3	BH-7230-70	70099	1	Overhead Shut Off Bar
4	BH-7227-87	70031	1	Overhead Support, PowerSide
5	BH-7227-88	70032	1	Overhead Support, Idler Side
6	BH-7229-37	36027	1	Mercury Limit Switch W/21' Cord
7	BH-7230-71	70051	2	Shut Off Bar Mount
8	BH-7226-97	36026	1	Switch Tube
9	BH-7230-72	36014	4	1" Retaining Ring

Item S V I	Ref. OEM	Qty		
No.	Part Number	Part No.	Req.	Description
10	BH-7227-86	70030	2	Overhead Shaft
11	BH-7229-36	36013	8	1" I.D. Spacer
12	BH-7229-34	36025	4	Pulley/Sheave Assembly
13	BH-7230-73	70060	2	Overhead U-Bolt
14	BH-7227-93	70095	1	Overhead Weldment
15	BH-7227-92	70093	2	Eq Cable After S/N 700707
16	BH-7229-34	36025	2	Pulley/Sheave Assembly
17	BH-7229-36	36013	2	1" I.D. Spacer
18	BH-7230-72	36014	2	1" Retaining Ring

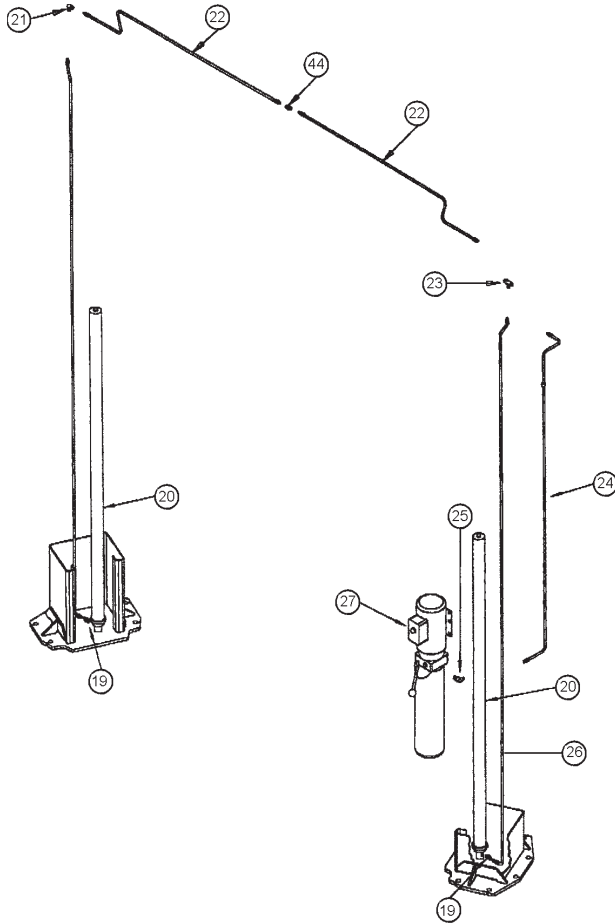
To Order Call: 800-321-8173 or 630-844-5566 / Fax: 800-899-1784 or 630-844-6770

All names, numbers, symbols and descriptions are used for reference purposes only. It is not implied that any part listed is the product of these manufacturers, however, some parts may be the actual product of these manufacturers.

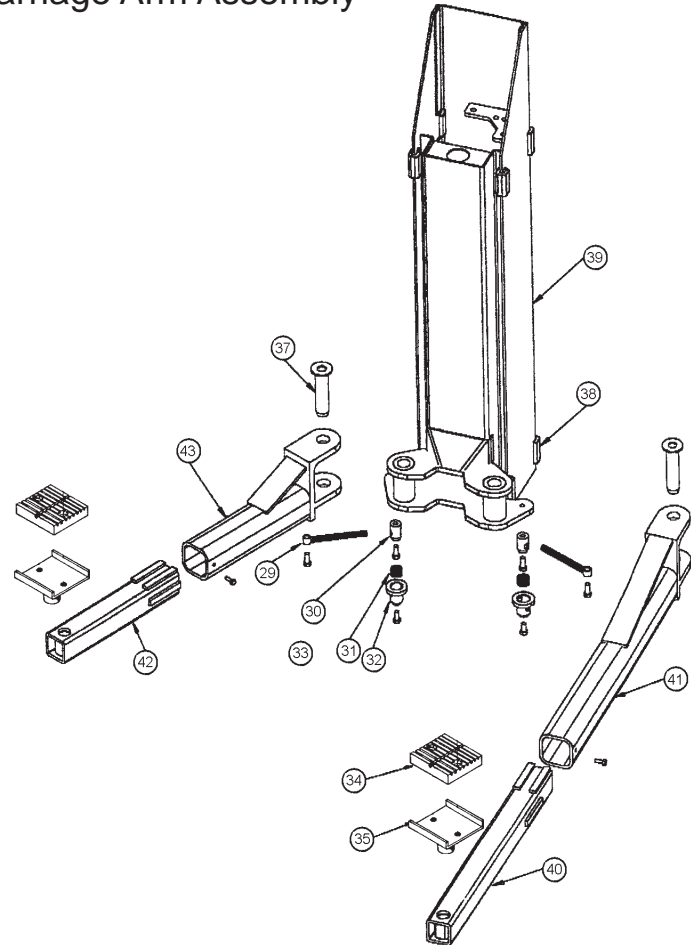
lift repair parts for Challenger / VBM lifts

for Model 70000
9000 lb. capacity

Hydraulic System



Carriage Arm Assembly



Item S V I	Ref. OEM	Qty	
No. Part Number	Part No.	Req.	Description
19	BH-7230-74	36048	2 9/16 O-Ring Union
20*	BH-7228-72	36115	2 Hydraulic Cylinder
21	BH-7230-75	38044	1 Union Elbow
22	BH-7230-76	70101	2 Overhead Hydraulic Line
23	BH-7226-83	31032	1 Union Tee Parker
24	BH-7230-77	71038	1 Hyd Line. Power Unit to Overhead
25	BH-7229-66	31089	1 90° Elbow
26	BH-7230-78	71041	2 Hyd Line. Cyl To Overhead
27	BH-7006-01		1 2HP 1PH 3.5 Gal. Power Unit
27	BH-7006-03		1 2HP 3PH 3.5 Gal. Power Unit
29	BH-7230-79	70078	4 7" Link Weldment
30	BH-7229-40	31108	4 Arm Restraint Insert
31	BH-7229-60	31109	4 Compression Spring

Item S V I	Ref. OEM	Qty	
No. Part Number	Part No.	Req.	Description
32	BH-7229-41	31107	4 Arm Restraint
33	BH-7227-91	70080	4 Arm Restraint Assembly
34	BH-7101-00		4 Rectangular Rubber Arm Pad
35	BH-7101-01		4 Ammco Style Adapter W/Rect. Pad
37	BH-7227-90	70062	4 Arm Pin
38	BH-7225-23	31023	16 Slider UHMW W/Metal Insert
39	BH-7227-84	70013	2 Carriage Weldment
40	BH-7227-97C	71011	2 Arm Inner Rear 9000lb
41	BH-7227-99	71031	2 Arm Outer Rear 9000lb
42	BH-7227-97B	71010	2 Arm Inner Front 9000lb
43	BH-7227-98	71028	2 Arm Outer Front 9000lb
44	BH-7229-61	31047	1 Straight Union

* Call with serial number to order seal kit.

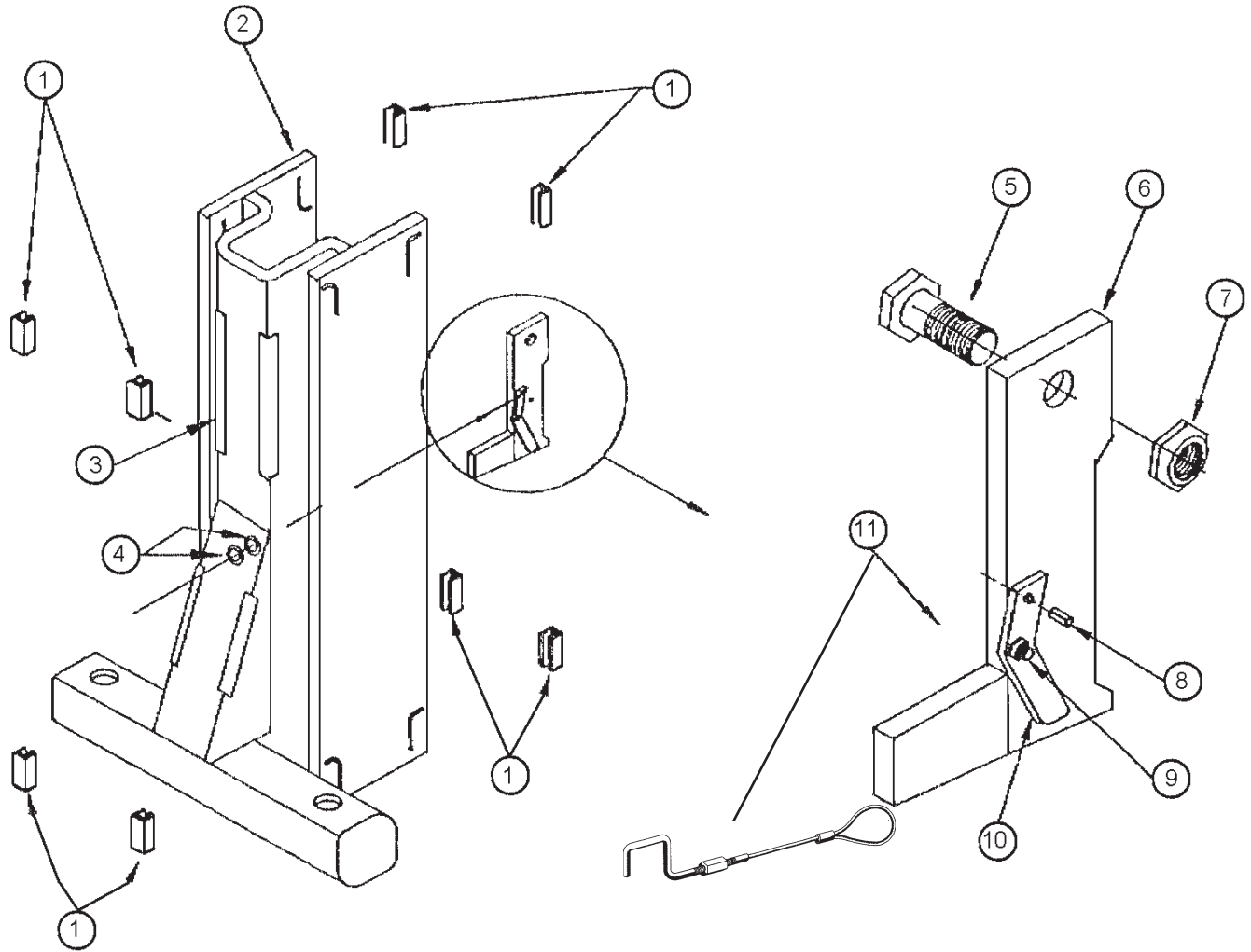
To Order Call: 800-321-8173 or 630-844-5566 / Fax: 800-899-1784 or 630-844-6770

All names, numbers, symbols and descriptions are used for reference purposes only. It is not implied that any part listed is the product of these manufacturers, however, some parts may be the actual product of these manufacturers.

lift repair parts for Challenger / VBM lifts

for Models 20000, 21000, 26000, 27000 Plus, 28000, 30000, 31000 Spirit, 33000, 35000

Lock Latch and Slider Block



Item S V I	Ref. OEM	Qty	
No. Part Number	Part No. Req.	Description	
1 BH-7225-23	31023 16	Slider UHMW W/Metal Insert	
2 BH-7225-24	200056 2	Carriage Assembly 20000	
2 BH-7225-62	210002 2	Carriage Assembly 21000	
2 BH-7225-91	260003 2	Carriage Assembly 26000	
2 BH-7226-05	270002 2	Carriage Assy 27000 Plus	
2 BH-7226-32	330002 2	Carriage Assembly 33000	
2a BH-7225-29	200111 2	Carriage Weldment Only 20000	
2a BH-7225-61	210003 2	Carriage Weldment Only 21000	
2a BH-7225-90	260002 2	Carriage Weldment Only 26000	
2a BH-7226-04	270001 2	Carriage Weld. Only 27000 Plus	
2a BH-7226-31	330001 2	Carriage Weldment Only 33000	

Item S V I	Ref. OEM	Qty	
No. Part Number	Part No. Req.	Description	
3 BH-7225-14	31056 1	Rubber Door Gaurds (6)	
4 BH-7225-30	31078 4	Grommets For Carriage	
5 BH-7229-91	200151 2	Mounting Bolt	
6 BH-7225-17	31084 2	Lock Latch Assembly	
7 BH-7229-92	200152 2	Mounting Locknut	
8 F-RP-250-1750	200156 2	1/4" x 1-3/4" Roll Pin	
9 F-NL-0500-20	200155 2	1/2-20 Nylock Locknut	
10 BH-7225-32	31262 2	Lock Latch Release Bar	
11 BH-7226-01	31150/51 2	Safety Latch Release Handle	

To Order Call: 800-321-8173 or 630-844-5566 / Fax: 800-899-1784 or 630-844-6770

All names, numbers, symbols and descriptions are used for reference purposes only. It is not implied that any part listed is the product of these manufacturers, however, some parts may be the actual product of these manufacturers.

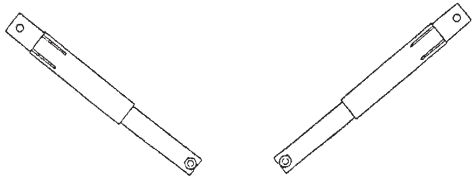


lift repair parts for Challenger / VBM lifts

for Models 20000, 21000, 28000, 30000, 31000 Spirit

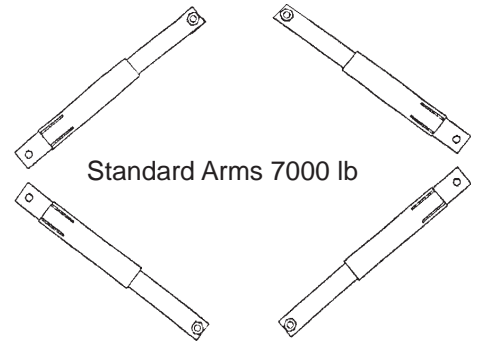


Asymmetrical Arms 7000 lb



SVI Part Number	Ref. OEM Part No.	Qty Req.	Description
BH-7225-26	37043	1	Arm Assy Set W/Pads 7000lb
BH-7225-22L	27059	1	Arm Assy Front Left 7000lb
BH-7225-22	37060	1	Arm Assy Front Right 7000lb
BH-7225-21	37061	2	Arm Assy Rear 7000lb
BH-7225-03	31133	4	Adapter 3-1/2" W/Rubber Pad

SVI Part Number	Ref. OEM Part No.	Qty Req.	Description
BH-7225-25	200059	1	Stnd Arm Set W/Pads 7000lb
BH-7225-20	38045	4	Stnd Arm 7000lb
BH-7225-03	31133	4	Adapter 3-1/2 W/Rubber Pad

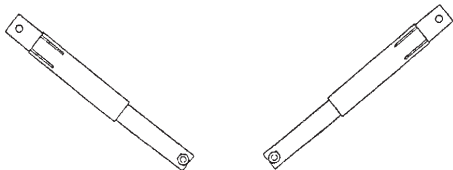


Standard Arms 7000 lb

for Models 26000, 27000 Plus

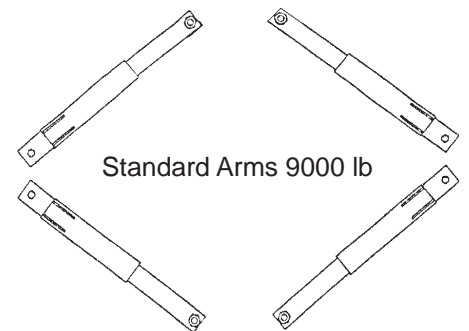


Asymmetrical Arms 9000 lb



SVI Part Number	Ref. OEM Part No.	Qty Req.	Description
BH-7226-00	260026	1	Arm Assy Set W/Pads 9000lb
BH-7225-94	260020	1	Arm Assy Set W/Pads 9000lb
BH-7225-96	260022	1	Arm Assy Front Left 9000lb
BH-7225-97	260023	1	Arm Assy Front Right 9000lb

SVI Part Number	Ref. OEM Part No.	Qty Req.	Description
BH-7225-99	260025	1	Stnd Arm Set W/Pads 9000lb
BH-7225-93	260019	1	Stnd Arm Set W/Pads 9000lb
BH-7225-95	260021	4	Stnd Arm 9000lb
BH-7225-03	31133	4	Adapter 3-1/2 W/Rubber Pad



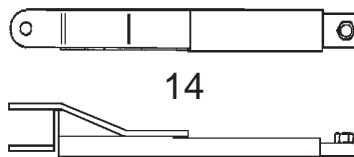
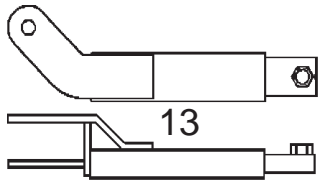
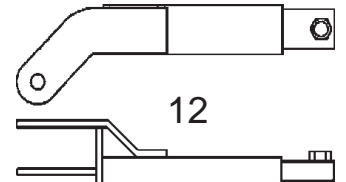
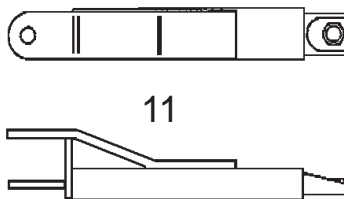
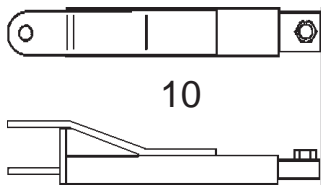
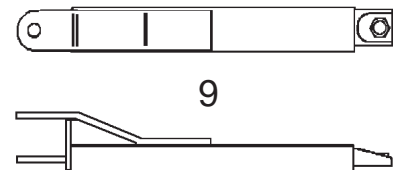
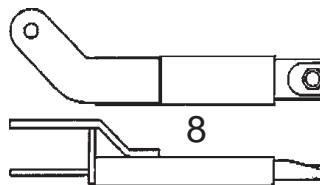
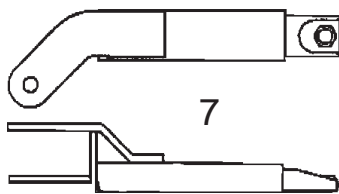
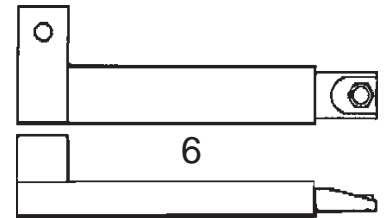
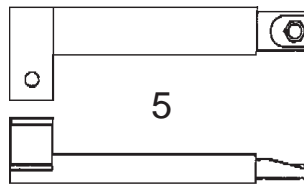
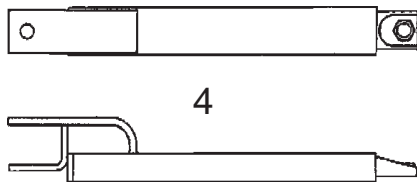
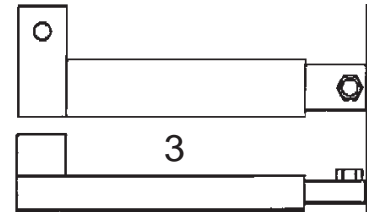
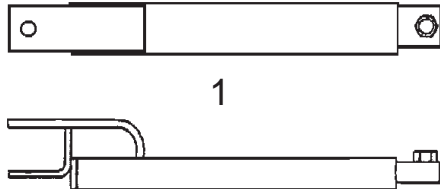
Standard Arms 9000 lb

To Order Call: 800-321-8173 or 630-844-5566 / Fax: 800-899-1784 or 630-844-6770

All names, numbers, symbols and descriptions are used for reference purposes only. It is not implied that any part listed is the product of these manufacturers, however, some parts may be the actual product of these manufacturers.

lift repair parts for Challenger / VBM lifts

Arm Assemblies



Item S V I	Ref. OEM	Qty	
No. Part Number	Part No.	Req.	Description
1 BH-7230-80	31072	2	Rear 9000lb.
2 BH-7230-81	31073	1	Left Front 8000 & 9000lb.
3 BH-7230-82	31074	1	Right Front 8000 & 9000lb.
4 BH-7230-83	36038	2	Rear 7000lb.
5 BH-7230-84	36039	1	Left Front 7000lb.
6 BH-7230-85	36040	1	Right Front 7000lb.
7 BH-7225-22L	37059	1	Left Front 7000lb.

Item S V I	Ref. OEM	Qty	
No. Part Number	Part No.	Req.	Description
8 BH-7225-22	37060	1	Right Front 7000lb.
9 BH-7225-21	37061	2	Rear 7000lb.
10 BH-7230-86	38020	4	Standard Arm 9000lb.
11 BH-7225-20	38045	4	Standard Arm 7000lb.
12 BH-7225-96	39036	1	Left Front 9000lb.
13 BH-7225-97	39037	1	Right Front 9000lb.
14 BH-7225-98	39038	2	Rear 9000lb.

To Order Call: 800-321-8173 or 630-844-5566 / Fax: 800-899-1784 or 630-844-6770

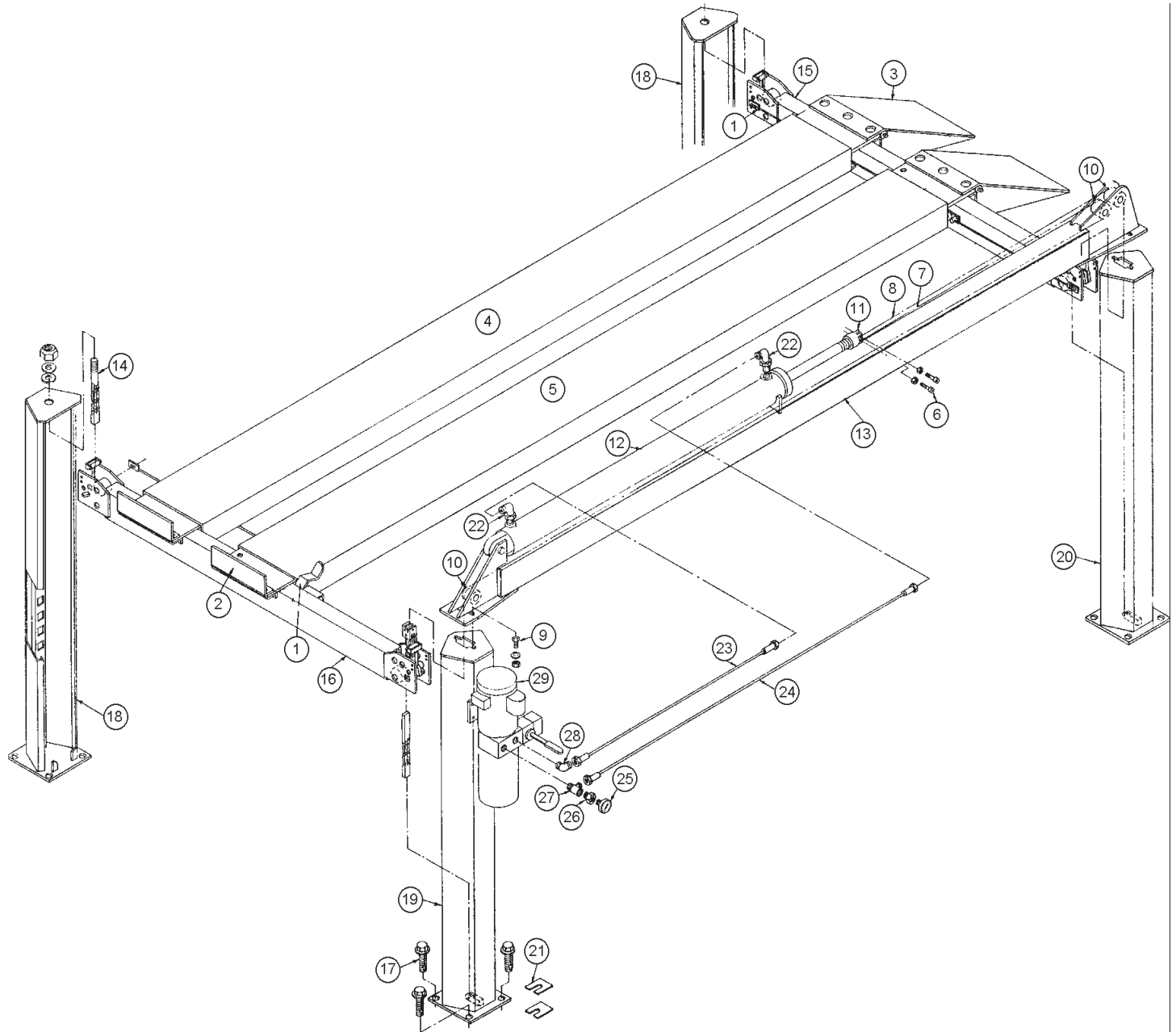
All names, numbers, symbols and descriptions are used for reference purposes only. It is not implied that any part listed is the product of these manufacturers, however, some parts may be the actual product of these manufacturers.



lift repair parts for Challenger / VBM lifts

for Model 24009

9000 lb. capacity



To Order Call: 800-321-8173 or 630-844-5566 / Fax: 800-899-1784 or 630-844-6770

All names, numbers, symbols and descriptions are used for reference purposes only. It is not implied that any part listed is the product of these manufacturers, however, some parts may be the actual product of these manufacturers.



lift repair parts for Challenger / VBM lifts

for Model 24009
9000 lb. capacity

Table with 4 columns: Item S V I, Ref. OEM Part No., Qty, Description. Lists various lift repair parts such as Track Stop Angle, Angle Retainer, Hex Screws, Lockwashers, Hex Nuts, Ramp Assys, Ramp Structures, Rods, Cotter Pins, Ramp Pivot Structures, Hex Screws, Lock Washers, Hex Nuts, Socket Head, Nylock Hex Nut, Leaf Chain, Flat Washer, Hex Nuts, Roller, Bolt, and Nylock Nut.

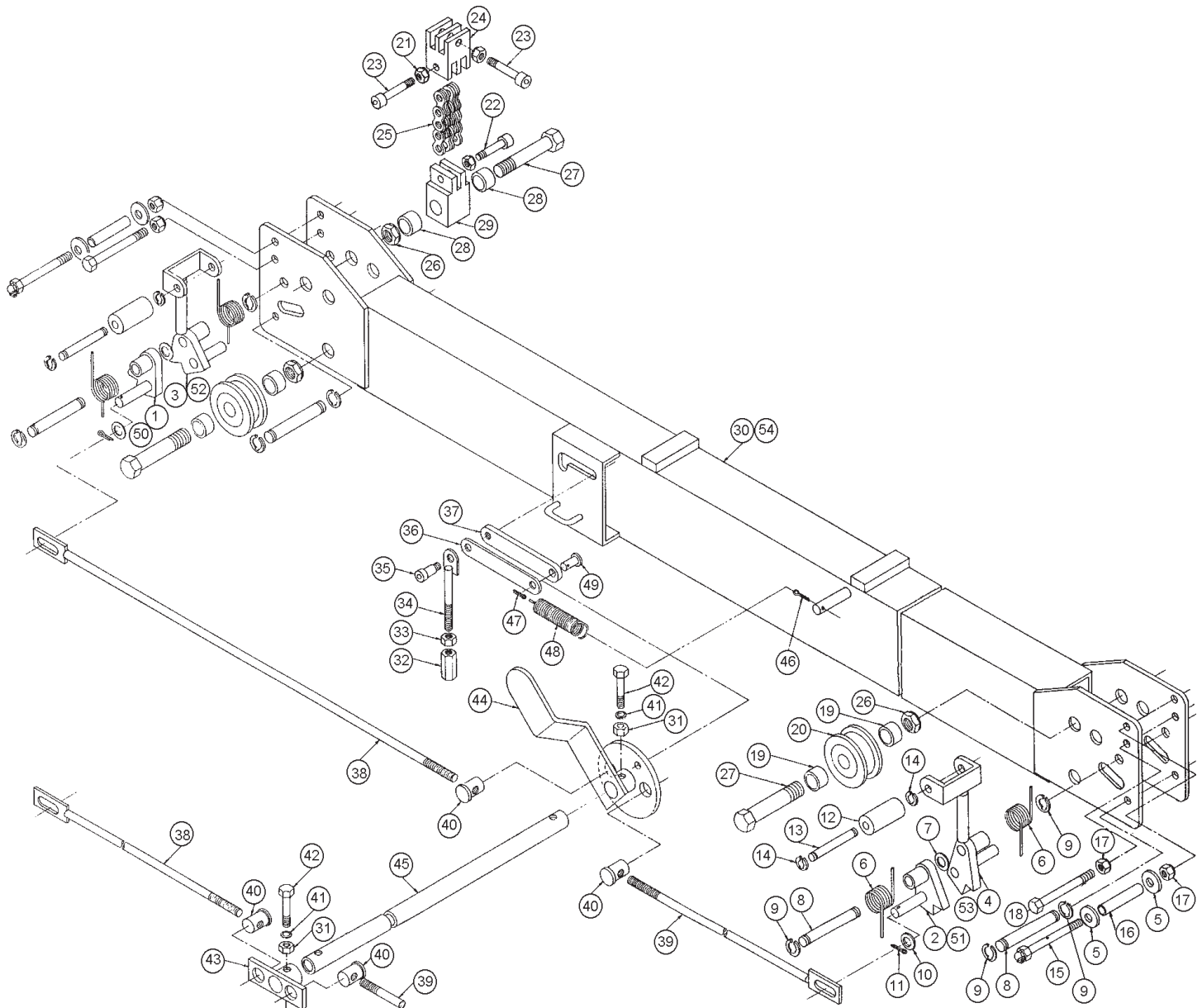
Table with 4 columns: Item S V I, Ref. OEM Part No., Qty, Description. Lists various lift repair parts such as Chain Connector, Hydraulic Cylinder, Seal Kit, Pin, Roll Pin, Upper Tube Structure, Cross Chain Assembly, Chain 3 & 4, Connecting Link, Bolt Retainer, Flat Washer (Spacer), Lock Nut, Socket Head Chain End, Rear Cross Tube Assembly, Front Cross Tube Assembly, Anchor Bolt, Passenger Column, Driver Column W/Pwr Unit Mount, Driver Column, Shim Kit, 90° Male Elbow, Short Hose, Long Hose, Dry Pressure Gauge, Bushing, Male Tee, 90° Elbow, 2HP 1PH 3.5 Gal. Power Unit, and 2HP 3PH 3.5 Gal. Power Unit.

* Call with serial number to order seal kit.

lift repair parts for Challenger / VBM lifts

for Model 24009
9000 lb. capacity

Front and Rear Cross Tube Assembly





lift repair parts for Challenger / VBM lifts

for Model 24009

9000 lb. capacity

FRONT CROSS TUBE ASSEMBLY

Item S V I	Ref. OEM	Qty		
No. Part Number	Part No.	Req.	Description	
1	BH-7110-11	81068	1	Latch Catch LH
2	BH-7110-12	81069	1	Latch Catch RH
3	BH-7110-17	81074	1	Slack Cable Latch LH
4	BH--7110-24	81075	1	Slack Cable Latch RH
5	BH-7102-11	81206	4	Washer
6	BH-7110-13	81072	4	Safety Latch Spring
7	BH-7101-65	CP-1597	2	Flat Washer 13 Ga. 5/8"
8	BH-7100-89	81073	4	Shaft
9	BH-7101-66	81250	8	Retaining Ring 5/8
10	BH-7101-67	CP-8515	2	Flat Washer 16 Ga. 1/2"
11	F-CP-125-0750	CP-2563	2	Cotter Pin 1/8 x 3/4
12	BH-7102-38	81079	2	Roller
13	BH-7102-39	81080	2	Shaft
14	BH-7100-86	80683	4	Retaining Ring
15	BH-7110-18	81479	2	4" Greasable Bolt

Item S V I	Ref. OEM	Qty		
No. Part Number	Part No.	Req.	Description	
16	BH-7102-31	81176	2	Tube Spacer
17	F-NL-0375-16	81082	4	Nylock Nut
18	F-HC-0375-16-4000	81081	2	HHCS 3/8-16 x 4"
19	BH-7102-42	81067	4	Spacer
20	BH-7102-40	80028	2	Roller
21	BH-7102-00	80064	3	Nylock Nut
22	F-SC-0312-18-1750	81185	1	5/16-18NCx1-3/4Socket Head
23	F-SC-0312-18-2000	80756	2	5/16-18 NC x 2 Socket Head
24	BH-7101-45	81086	1	Upper Chain Retainer
25	BH-7101-68	81085	1	Chain Extension
26	F-NL-0750-16	80034	3	Nylock Nut
27	BH-7102-41	80033	3	Pin
28	BH-7101-69	81084	2	Spacer
29	BH-7101-70	81083	1	Lower Chain Retainer
30	BH-7101-71	81122	1	Front Cross Tube Structure

REAR CROSS TUBE ASSEMBLY

Item S V I	Ref. OEM	Qty		
No. Part Number	Part No.	Req.	Description	
5	BH-7102-11	81206	4	Washer
6	BH-7110-13	81072	4	Safety Latch Spring
7	BH-7101-65	CP-1597	2	Flat Washer 13 Ga. 5/8"
8	BH-7100-89	81073	4	Shaft
9	BH-7101-66	81250	8	Retaining Ring 5/8
10	BH-7101-67	CP-8515	2	Flat Washer 16 Ga. 1/2"
11	F-CP-125-0750	CP-2563	2	Cotter Pin 1/8 x 3/4
12	BH-7102-38	81079	2	Roller
13	BH-7102-39	81080	2	Shaft
14	BH-7100-86	80683	4	Retaining Ring
15	BH-7110-18	81479	2	4" Greaseable Bolt
16	BH-7102-31	81176	2	Tube Spacer
17	F-NL-0375-16	81082	4	Nylock Nut
18	F-HC-0375-16-4000	81081	2	HHCS 3/8-16 x 4"
19	BH-7102-42	81067	4	Spacer
20	BH-7102-40	80028	2	Roller
21	F-NL-0312-18	80064	3	Nylock Hex Nut 5/16-18 NC
22	F-SC-0312-18-1750	81185	1	5/16-18NCx1-3/4Socket Head
23	F-SC-0312-18-2000	80756	2	5/16-18 NC x 2 Socket Head
24	BH-7101-45	81086	1	Upper Chain Retainer
25	BH-7101-68	81085	1	Chain Extension
26	BH-7102-00	80034	3	Nylock Nut
27	BH-7102-41	80033	3	Pin
28	BH-7101-69	81084	2	Spacer
29	BH-7101-70	81083	1	Lower Chain Retainer

Item S V I	Ref. OEM	Qty		
No. Part Number	Part No.	Req.	Description	
31	F-HN-0312-18	CP-4401	2	5/16-18NC Hex Nut
32	BH-7105-09	81253	1	3/8-16 NC Nut
33	F-HN-0375-16	CP-668	1	3/8-16 NC Hex Nut
34	BH-7101-23	81251	1	Trip Rod
35	BH-7101-21	81107	1	Bolt 5/16 NC
36	BH-7101-22	81101	1	Bar
37	BH-7101-20	81102	1	Bar Tapped
38	BH-7114-57	81099	2	Short Adjusting Rod
39	BH-7110-22	81113	2	Long Adjusting Rod
40	BH-7110-20	81095	4	Pivot Pin
41	F-LW-0312	CP-1677	2	5/16 Lock Washer
42	F-HC-0312-18-1500	81483	2	5/16-18NC x 1-1/2 Hex Screw
43	BH-7101-72	81092	1	Trip Release Pivot Structure
44	BH-7101-73	81088	1	Trip Release Handle Structure
45	BH-7101-74	81112	1	Tube Structure Pivot
46	F-RP-125-1000	CP-3025	1	1/8 x 1 Cotter Pin
47	F-CP-125-075	CP-2563	1	1/8 x 3/4 Cotter Pin
48	BH-7101-75	CP-1587	1	Spring
49	BH-7101-19	81103	1	Pin
50	BH-7110-12	81069	1	Latch Catch RH
51	BH-7110-11	81068	1	Latch Catch LH
52	BH-7110-24	81075	1	Slack Cable Latch RH
53	BH-7110-17	81074	1	Slack Cable Latch LH
54	BH-7101-76	81121	1	Rear Cross Tube Structure

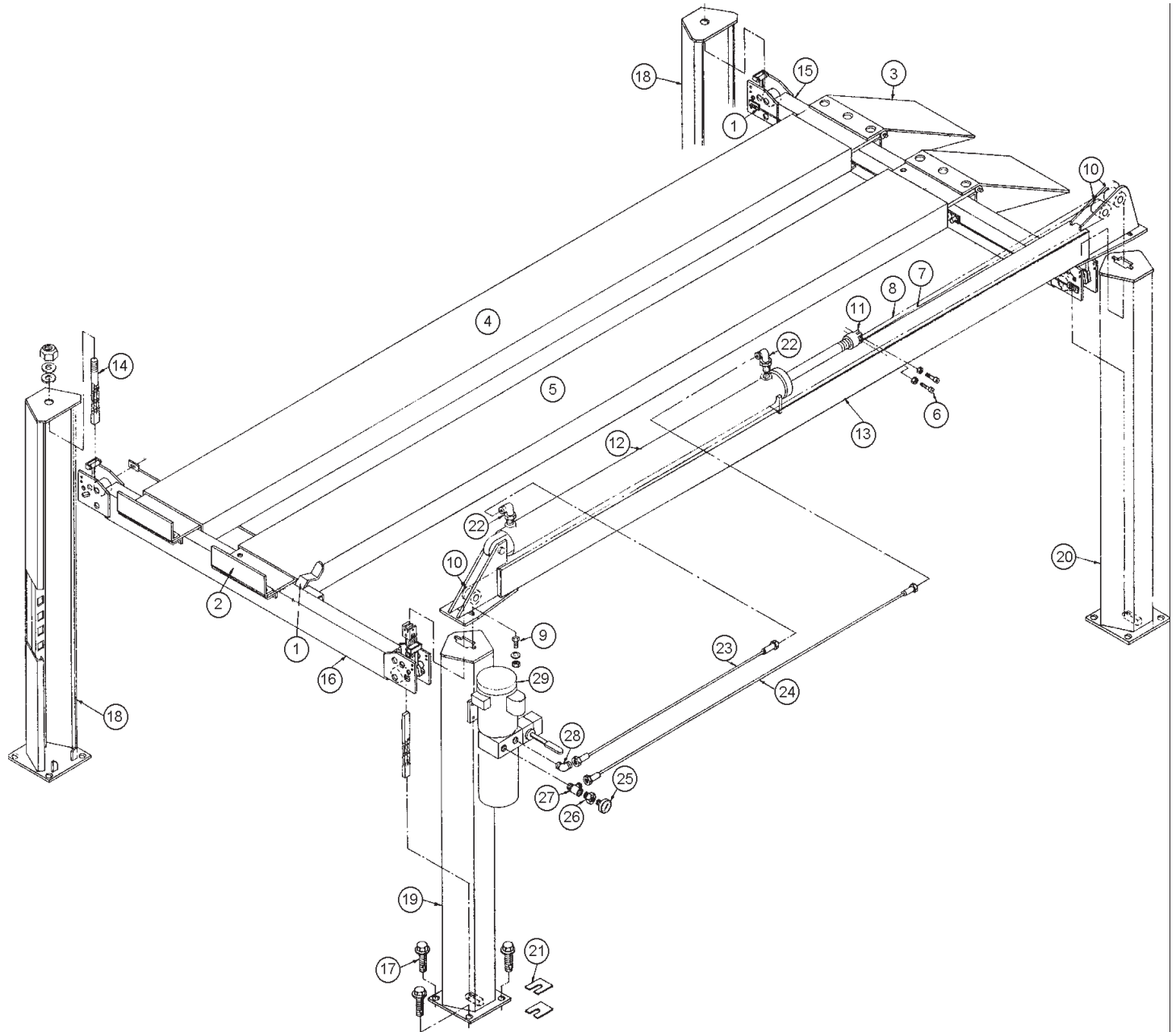
To Order Call: 800-321-8173 or 630-844-5566 / Fax: 800-899-1784 or 630-844-6770

All names, numbers, symbols and descriptions are used for reference purposes only. It is not implied that any part listed is the product of these manufacturers, however, some parts may be the actual product of these manufacturers.



lift repair parts for Challenger / VBM lifts

for Model 24012
12,000 lb. capacity



To Order Call: 800-321-8173 or 630-844-5566 / Fax: 800-899-1784 or 630-844-6770

All names, numbers, symbols and descriptions are used for reference purposes only. It is not implied that any part listed is the product of these manufacturers, however, some parts may be the actual product of these manufacturers.



lift repair parts for Challenger / VBM lifts

for Model 24012

12,000 lb. capacity

Item S V I	Ref. OEM	Qty	
No. Part Number	Part No.	Req.	Description
1		1	Call For Details
2	BH-7100-52	80629	2 Track Stop Angle
2a	BH-7100-53	80630	2 Angle Retainer
2b	F-HC-0500-13-1750	80453	6 1/2-13 NC X 1-3/4 Hex Screw
2c	F-LW-0500	CP-66	6 1/2" Lockwasher
2d	F-HN-0500-13	CP-65	6 1/2-13 NC Hex Nut
3	BH-7100-54	81340	2 Ramp Assy
3a	BH-7100-55	80631	2 Ramp Structure
3b	BH-7100-56	80069	2 Rod - Ramp to Pivot
3c	F-CP-125-1000	CP-3025	4 1/8 X 1 Cotter Pin
3d	BH-7100-57	80627	2 Ramp Pivot Structure
3e	F-HC-0500-13-1750	80453	6 1/2-13 NC X 1-3/4 Hex Screw
3f	F-LW-0500	CP-66	6 1/2" Lock Washer
3g	F-HN-0500-13	CP-65	6 1/2-13 NC Hex Nut
4	BH-7101-77	80112	1 Track Structure RH
5	BH-7101-78	81058	1 Track Structure LH
5a	F-HC-0500-13-1750	80453	2 1/2-13 NC X 1-3/4 Hex Screw
5b	F-LW-0500	CP-66	2 1/2" Lock Washer
5c	F-HN-0500-13	CP-65	2 1/2" -13 NC Hex Nut
6a	F-SC-0312-18-2000	80756	2 5/16-18 NC Socket Head
6b	F-NL-0312-18	80064	2 5/16-18 NC Nylock Hex Nut
7		81109	1 Leaf Chain (Long 4 & 6) - See SVI's LRC7020 chain booklet.
8		81108	1 Leaf Chain (Short 4 & 6) - See SVI's LRC7020 chain booklet.
9a	F-HC-0500-13-1750	80453	4 1/2-13 NC X 1-3/4 Hex Screw
9b	F-FW-0500	CP-1522	4 1/2" Flat Washer
9c	F-HN-0500-13	17142	4 1/2-13 NC Hex Nut
10	BH-7102-40	80028	3 Roller
10a	BH-7102-22	80039	3 Bolt 3/4-16 NF X 3-1/2
10b	BH-7102-00	80034	3 Nylock Nut

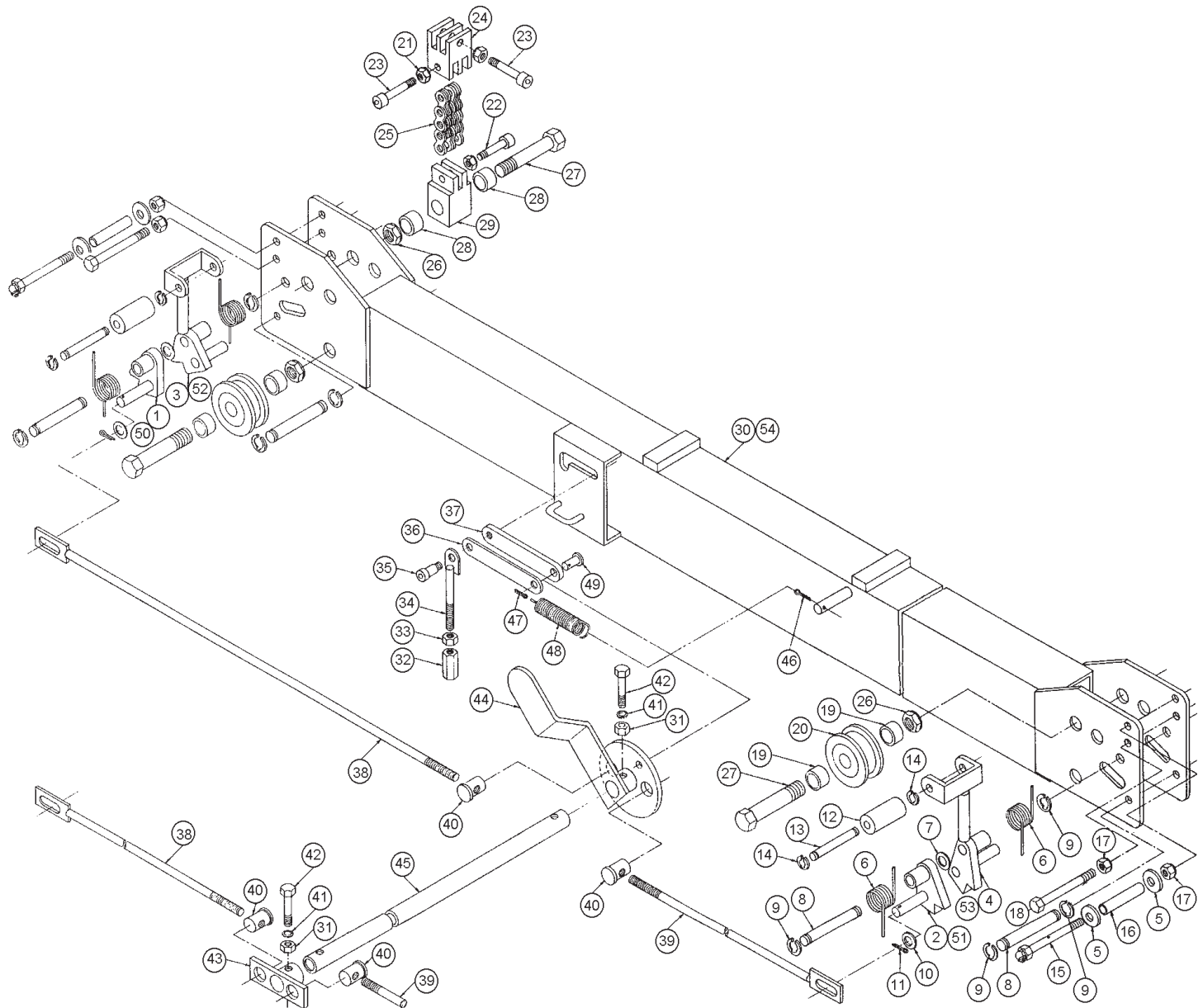
Item S V I	Ref. OEM	Qty	
No. Part Number	Part No.	Req.	Description
11	BH-7101-25	80079	1 Chain Connector
12*	BH-7100-68	80078	1 Hydraulic Cylinder
12a	BH-7100-74	80143	1 Seal Kit
12b	BH-7100-94	80027	1 Pin
12c	F-RP-250-1500	CP-4660	2 1/4 X 1-1/2 Roll Pin
13	BH-7101-79	80073	1 Upper Tube Structure
14	BH-7101-80	81722	2 Cross Chain Assembly
14a		80085	1 Chain 3 & 4 - See SVI's LRC7020 chain booklet.
14b	BH-7101-51	80139	2 Connecting Link
14c	BH-7101-49	80023	1 Bolt Retainer
14d	BH-7100-97	CP-733	12 Flat Washer (Spacer)
14e	BH-7101-52	80035	2 Lock Nut
14f	BH-7100-98	80063	2 Socket Head Chain End
15	BH-7101-81	81059	1 Rear Cross Tube Assembly
16	BH-7101-82	81060	1 Front Cross Tube Assembly
17	BH-7075-03	80062	16 Anchor Bolt 3/4
18	BH-7110-23	81053	2 Passenger Front Column
19	BH-7101-57	81052	1 Driver Column W/Pwr Unit Mount
20	BH-7101-58	81051	1 Driver Column
21		80589	1 Shim Kit - See BH-7512-92
22	BH-7101-59	80131	2 90° Male Elbow
23	BH-7100-93	80126	1 Short Hose 1/2 ID
24	BH-7101-60	80125	1 Long Hose 1/2 ID
25	BH-7101-61	80124	1 Dry Pressure Gauge
26	BH-7101-62	CP-2878	1 Bushing 3/8 NPT X 1/4 NPT
27	BH-7101-63	80132	1 Male Tee 3/8NPT X 3/4 JIC
28	BH-7101-64	80133	1 90° Elbow
29	BH-7006-01	80472	1 2HP 1PH 3.5 Gal. Power Unit
29	BH-7006-03		1 2HP 1PH 3.5 Gal. Power Unit

* Call with serial number to order seal kit.

lift repair parts for Challenger / VBM lifts

for Model 24012
12,000 lb. capacity

Front and Rear Cross Tube Assembly



To Order Call: 800-321-8173 or 630-844-5566 / Fax: 800-899-1784 or 630-844-6770

All names, numbers, symbols and descriptions are used for reference purposes only. It is not implied that any part listed is the product of these manufacturers, however, some parts may be the actual product of these manufacturers.



lift repair parts for Challenger / VBM lifts

for Model 24012

12,000 lb. capacity

FRONT CROSS TUBE ASSEMBLY

Item S V I	Ref. OEM	Qty	
No. Part Number	Part No.	Req.	Description
1 BH-7110-11	81068	1	Latch Catch LH
2 BH-7110-12	81069	1	Latch Catch RH
3 BH-7110-17	81074	1	Slack Cable Latch LH
4 BH--7110-24	81075	1	Slack Cable Latch RH
5 BH-7102-11	81206	4	Washer
6 BH-7110-13	81072	4	Safety Latch Spring
7 BH-7101-65	CP-1597	2	Flat Washer 13 Ga. 5/8"
8 BH-7100-89	81073	4	Shaft
9 BH-7101-66	81250	8	Retaining Ring 5/8
10 BH-7101-67	CP-8515	2	Flat Washer 16 Ga. 1/2"
11 F-CP-125-0750	CP-2563	2	Cotter Pin 1/8 x 3/4
12 BH-7102-38	81079	2	Roller
13 BH-7102-39	81080	2	Shaft
14 BH-7100-86	80683	4	Retaining Ring
15 BH-7110-18	81479	2	4" Greaseable Bolt

Item S V I	Ref. OEM	Qty	
No. Part Number	Part No.	Req.	Description
16 BH-7102-31	81176	2	Tube Spacer
17 F-NL-0375-16	81082	4	Nylock Nut
18 F-HC-0375-16-4000	81081	2	HHCS 3/8-16 x 4"
19 BH-7102-42	81067	4	Spacer
20 BH-7102-40	80028	2	Roller
21 F-NL-0312-18	80064	3	Nylock Hex Nut 5/16-18 NC
22 F-SC-0312-18-1750	81185	1	5/16-18NCx1-3/4Socket Head
23 F-SC-0312-18-2000	80756	2	5/16-18 NC x 2 Socket Head
24 BH-7101-45	81086	1	Upper Chain Retainer
25 BH-7101-68	81085	1	Chain Extension
26 BH-7102-00	80034	3	Nylock Nut
27 BH-7102-41	80033	3	Pin
28 BH-7101-69	81084	2	Spacer
29 BH-7101-70	81083	1	Lower Chain Retainer
30 BH-7101-83	81062	1	Front Cross Tube Structure

REAR CROSS TUBE ASSEMBLY

Item S V I	Ref. OEM	Qty	
No. Part Number	Part No.	Req.	Description
5 BH-7102-11	81206	4	Washer
6 BH-7110-13	81072	4	Safety Latch Spring
7 BH-7101-65	CP-1597	2	Flat Washer 13 Ga. 5/8"
8 BH-7100-89	81073	4	Shaft
9 BH-7101-66	81250	8	Retaining Ring 5/8
10 BH-7101-67	CP-8515	2	Flat Washer 16 Ga. 1/2"
11 F-CP-125-0750	CP-2563	2	Cotter Pin 1/8 x 3/4
12 BH-7102-38	81079	2	Roller
13 BH-7102-39	81080	2	Shaft
14 BH-7100-86	80683	4	Retaining Ring
15 BH-7110-18	81479	2	4" Greaseable Bolt
16 BH-7102-31	81176	2	Tube Spacer
17 F-NL-0375-16	81082	4	Nylock Nut
18 F-HC-0375-16-4000	81081	2	HHCS 3/8-16 x 4"
19 BH-7102-42	81067	4	Spacer
20 BH-7102-40	80028	2	Roller
21 F-NL-0312-18	80064	3	Nylock Hex Nut 5/16-18 NC
22 F-SC-0312-18-1750	81185	1	5/16-18NCx1-3/4Socket Head
23 F-SC-0312-18-2000	80756	2	5/16-18 NC x 2 Socket Head
24 BH-7101-45	81086	1	Upper Chain Retainer
25 BH-7101-68	81085	1	Chain Extension
26 BH-7102-00	80034	3	Nylock Nut
27 BH-7102-41	80033	3	Pin
28 BH-7101-69	81084	2	Spacer
29 BH-7101-70	81083	1	Lower Chain Retainer

Item S V I	Ref. OEM	Qty	
No. Part Number	Part No.	Req.	Description
31 F-HN-0312-18	CP-4401	2	5/16-18NC Hex Nut
32 BH-7105-09	81253	1	3/8-16 NC Nut
33 F-HN-0375-16	CP-668	1	3/8-16 NC Hex Nut
34 BH-7101-23	81251	1	Trip Rod
35 BH-7101-21	81107	1	Bolt 5/16 NC
36 BH-7101-22	81101	1	Bar
37 BH-7101-20	81102	1	Bar Tapped
38 BH-7110-21	81115	2	Short Adjusting Rod
39 BH-7106-05	81096	2	Long Adjusting Rod
40 BH-7110-20	81095	4	Pivot Pin
41 F-LW-0312	CP-1677	2	5/16 Lock Washer
42 F-HC-0312-18-1500	81483	2	5/16-18NC x 1-1/2 Hex Screw
43 BH-7101-72	81092	1	Trip Release Pivot Structure
44 BH-7101-73	81088	1	Trip Release Handle Structure
45 BH-7101-84	81087	1	Tube Structure Pivot
46 F-RP-125-1000	CP-3025	1	1/8 x 1 Cotter Pin
47 F-RP-125-0750	CP-2563	1	1/8 x 3/4 Cotter Pin
48 BH-7101-75	CP-1587	1	Spring
49 BH-7101-19	81103	1	Pin
50 BH-7110-12	81069	1	Latch Catch RH
51 BH-7110-11	81068	1	Latch Catch LH
52 BH-7110-24	81075	1	Slack Cable Latch RH
53 BH-7110-17	81074	1	Slack Cable Latch LH
54 BH-7101-85	81061	1	Rear Cross Tube Structure

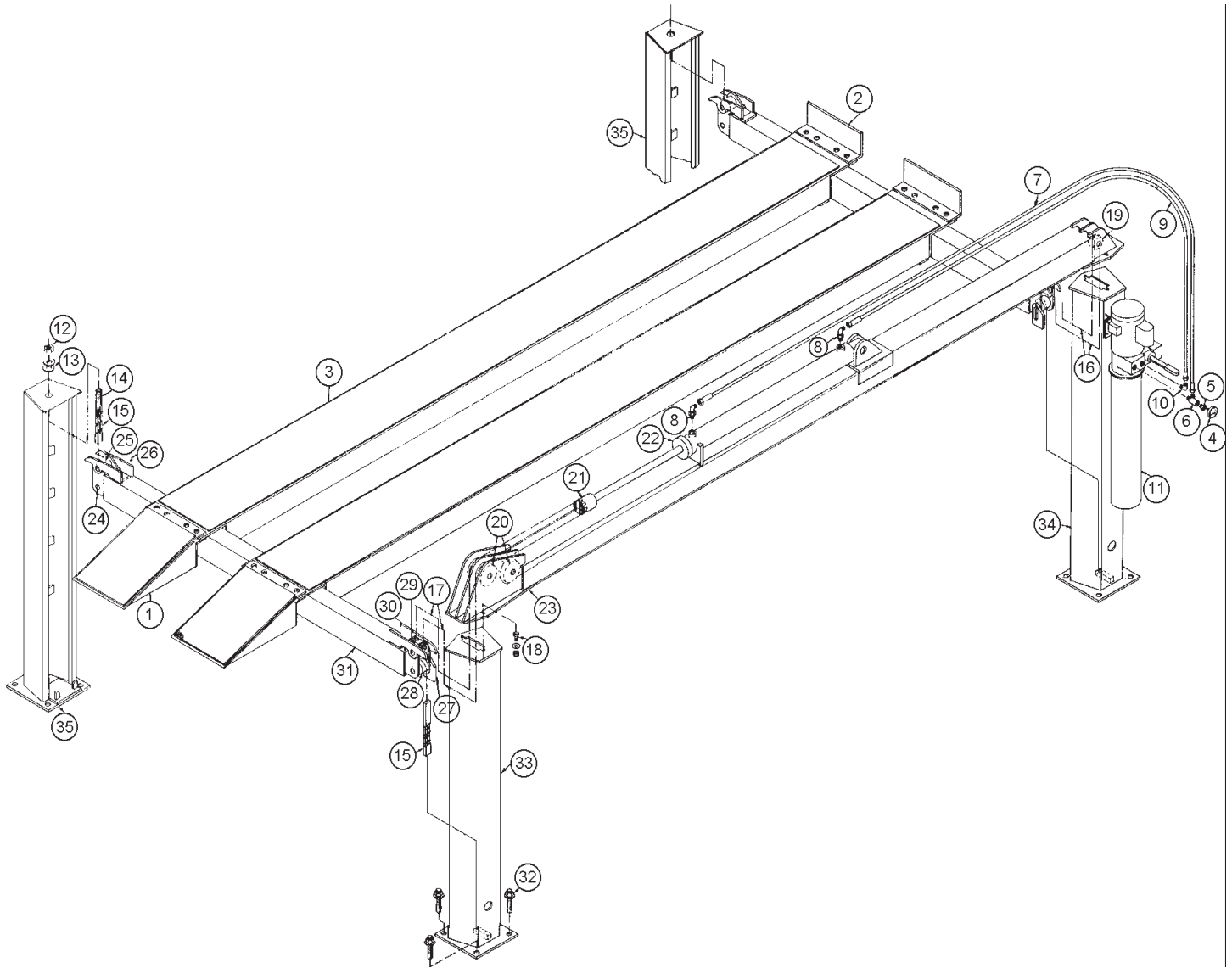
To Order Call: 800-321-8173 or 630-844-5566 / Fax: 800-899-1784 or 630-844-6770

All names, numbers, symbols and descriptions are used for reference purposes only. It is not implied that any part listed is the product of these manufacturers, however, some parts may be the actual product of these manufacturers.



lift repair parts for Challenger / VBM lifts

for Model 24022
24,000 lb. capacity



To Order Call: 800-321-8173 or 630-844-5566 / Fax: 800-899-1784 or 630-844-6770

All names, numbers, symbols and descriptions are used for reference purposes only. It is not implied that any part listed is the product of these manufacturers, however, some parts may be the actual product of these manufacturers.



lift repair parts for Challenger / VBM lifts

for Model 24022

24,000 lb. capacity

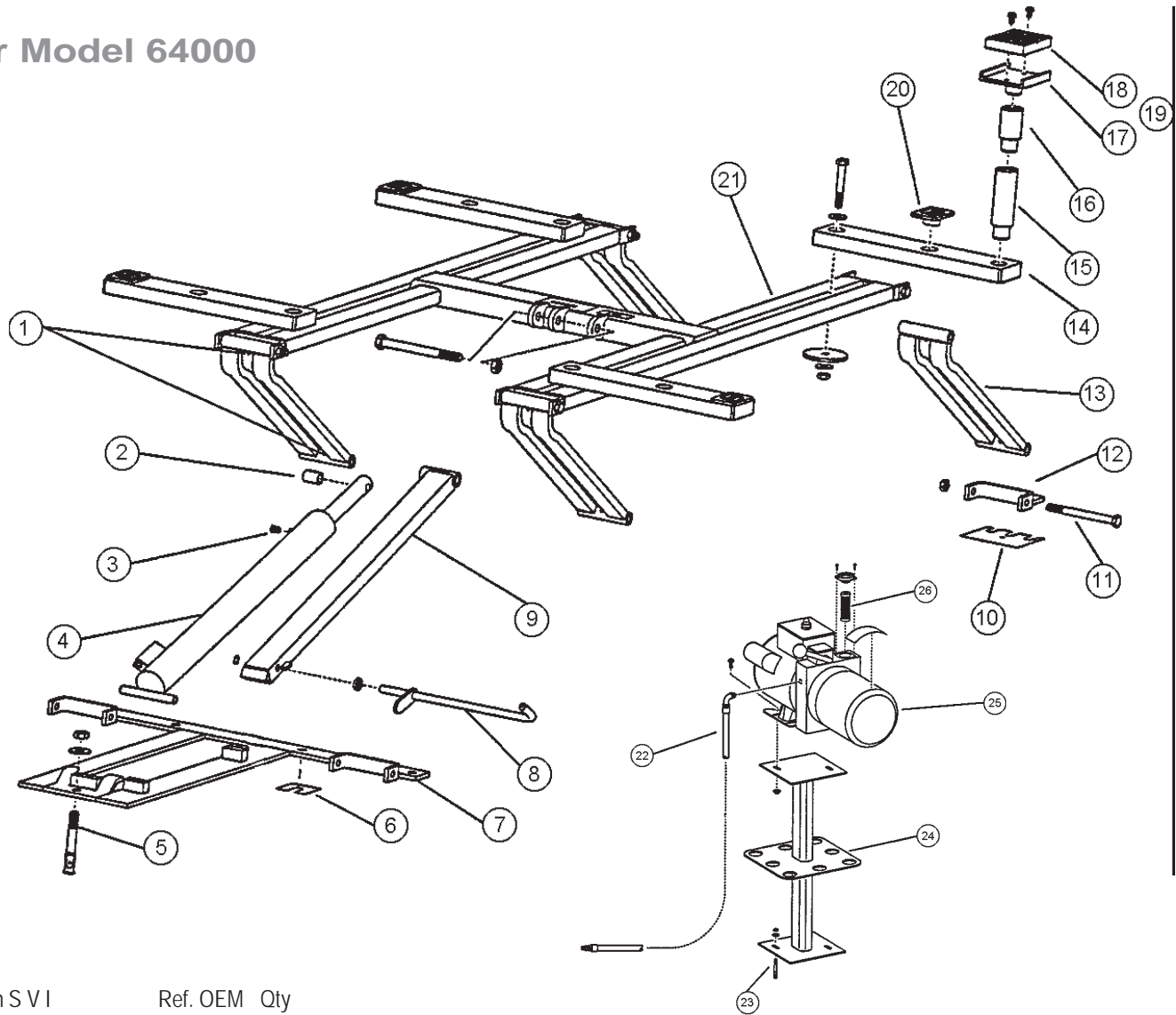
Item S V I	Ref. OEM	Qty	
No. Part Number	Part No.	Req.	Description
1 BH-7101-86	80808	1	Drive Through Ramps
1a BH-7101-87	80422	2	Ramp Structure
1b F-HC-0750-10-2250	80439	8	3/4-10 NC x 2-1/4 Hex Screw
1c F-HN-0750-10	80427	8	3/4-10 NC Hex Nut
2a BH-7101-88	80421	2	Stop Track
2b F-HC-0750-10-2250	80439	16	3/4-10 NC x 2-1/4 Hex Screw
2c F-HN-0750-10	80427	16	3/4-10 NC Hex Nut
3 BH-7101-89	80414	2	Track Structure
4a BH-7101-61	80124	1	Dry Pressure Gauge
4b BH-7101-90	13340	2	Plastic Tie Hose
5 BH-7101-62	CP-2878	1	Reducer Bushing
6 BH-7101-63	80132	1	Male Branch Tee
7 BH-7101-91	80365	1	Hose Assembly 180"
8 BH-7101-59	80131	2	90° Male Elbow
9 BH-7101-92	80364	1	Hose Assembly 120"
10 BH-7101-64	80133	1	90° Male Elbow 3/8 NPT-3/4 JIC
11 BH-7006-01	80472	1	2HP 1PH 3.5 Gal. Power Unit
11 BH-7006-03		1	2HP 3PH 3.5 Gal. Power Unit
12 BH-7101-34	80192	2	Nylock Hex Nut
13 BH-7101-33	80431	8	Flat Washer
14 BH-7101-32	80430	2	Chain Retainer
15a BH-7102-32	80429	2	Cross Rail Chain
15b BH-7102-33	80255	4	Master Link
16a	80433	2	Leaf Chain 419 Links - See SVI's LRC7020 chain booklet.
16b F-SC-0312-18-4500	80458	2	5/16-18NC x 4-1/2 SHCS
16c F-NL-0312-18	80064	2	5/16-18NC Nylock Hex Nut
17a	80432	2	Leaf Chain 119 Links - See SVI's LRC7020 chain booklet.
17b F-SC-0312-18-4500	80458	2	5/16-18NC x 4-1/2 SHCS
17c F-NL-0312-18	80064	2	5/16-18NC Nylock Hex Nut
18a F-HC-0500-13-1750	80453	4	1/2-13NC x 1-3/4 Hex Screw
18b BH-7101-93	CP-1522	4	Flat Washer
18c F-HN-0500-13	17142	4	1/2-13NC Hex Nut
19a BH-7102-40	80028	2	Roller
19b F-HC-0750-16-5500	80413	1	3/4-16NF x 5-1/2 Hex Screw
19c BH-7102-00	80034	1	Nylock Nut

* Call with serial number to order seal kit.

Item S V I	Ref. OEM	Qty	
No. Part Number	Part No.	Req.	Description
20a BH-7101-94	80225	4	Roller Assembly
20b BH-7101-95	80227	4	Bushing
20c F-HC-0750-16-5500	80413	2	3/4-16NF x 5-1/2 Hex Screw
20d BH-7102-00	80034	2	Nylock Nut
21 BH-7101-96	80412	1	Chain Connector
22a* BH-7100-65	80410	1	Hydraulic Cylinder
22b BH-7101-97	80411	1	Pin
22c F-RP-375-2000	10545	2	Roll Pin 3/8 x 2
22d BH-7100-79	80455	1	Seal Kit
23 BH-7101-98	80465	1	Tube Structure Upper
24a BH-7101-99	80391	1	Trip
24b BH-7102-50	80393	1	Bushing
24c BH-7102-51	CP-2350	1	Flat Washer
24d F-HC-0750-16-1750	80457	1	3/4-16NF x 1-3/4 Hex Screw
24e BH-7102-00	80034	1	Nylock Nut
25a BH-7102-40	80028	1	Roller
25b BH-7101-26	80389	2	Bushing
25c BH-7102-51	CP-2350	1	Flat Washer
25d F-HC-0750-16-4500	CP894	1	3/4-16NF x 4-1/2 Hex Screw
25e F-NL-0750-16	80034	1	Nylock Hex Nut 3/4-16 NF
26 BH-7101-18	80832	1	Latch Structure
27a BH-7101-99	80391	1	Trip
27b BH-7102-50	80393	1	Bushing
27c BH-7102-51	CP-2350	1	Flat Washer
27d BH-7102-41	80033	1	Pin
27e BH-7102-00	80034	1	Nylock Nut
28 BH-7102-40	80028	1	Roller
29a BH-7104-02	80388	1	Chain Anchor
29b BH-7101-26	80389	2	Bushing
29c BH-7102-51	CP-2350	3	Flat Washer
29d F-HC-0750-16-4500	CP894	1	3/4-16NF x 4-1/2 Hex Screw
29e BH-7102-00	80034	1	Nylock Nut
30 BH-7101-18	80832	1	Latch Structure
31 BH-7102-52	80378	1	Cross Member Structure
32 BH-7075-03	80062	16	Anchor Bolt 3/4
33 BH-7102-53	80368	1	Passenger Column
34 BH-7102-54	80367	1	Passenger Col W/Pwr Unit Mount
35 BH-7102-55	80366	2	Driver Column

lift repair parts for Challenger / VBM lifts

for Model 64000



Item S V I	Ref. OEM	Qty	
No. Part Number	Part No.	Req.	Description
1	BH-7102-56	27516	9 Grease Fitting
2	BH-7102-57	28157	1 Bushing
3	BH-7102-58	37904	1 Breather Plug
4*	BH-7101-42	27934	1 Cylinder
5	BH-7075-03	80362	9 3/4 x 5-1/2" Wedge Anchor
6		81709	16 Shim - See BH-7512-89 through BH-7512-91.
7	BH-7102-59	28610	1 Base
8	BH-7102-60	28330	1 Lock Release
9	BH-7102-61	28325	1 Lock Leg
10		28377	1 Shim Kit - See BH-7512-92
11	BH-7102-62	28617	8 5/8 x 6-1/4" Pin
12	BH-7102-63	28612	2 Clevis
13	BH-7102-64	28611	4 Leg

Item S V I	Ref. OEM	Qty	
No. Part Number	Part No.	Req.	Description
14	BH-7102-65	28320	4 Arm
15	BH-7101-03	27984	4 5" Height Adapter
16	BH-7101-02	27982	4 2-5/8" Height Adapter
17	BH-7101-01	27981	1 Steel Adapter
18	BH-7101-00	82365	1 Rubber Arm Pad
19	BH-7101-01C	27980	4 Adapter Base & Pad Assy
20	BH-7102-66	28319	4 Arm Pad
21	BH-7102-67	28609	1 Platform
22	BH-7102-68	27933	1 144" Hose
23	BH-7102-69	27932	2 3/8 x 2-1/4" Wedge Anchor
24	BH-7102-70	27899	1 Power Unit Stand
25	BH-7007-01	26886	1 1/2HP 1PH 1Gal. Power Unit
26	BH-7102-71	26886-39	1 Filter

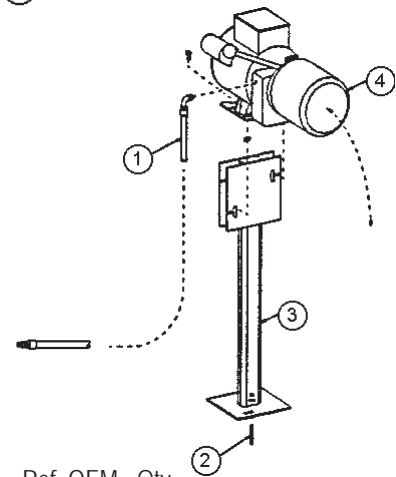
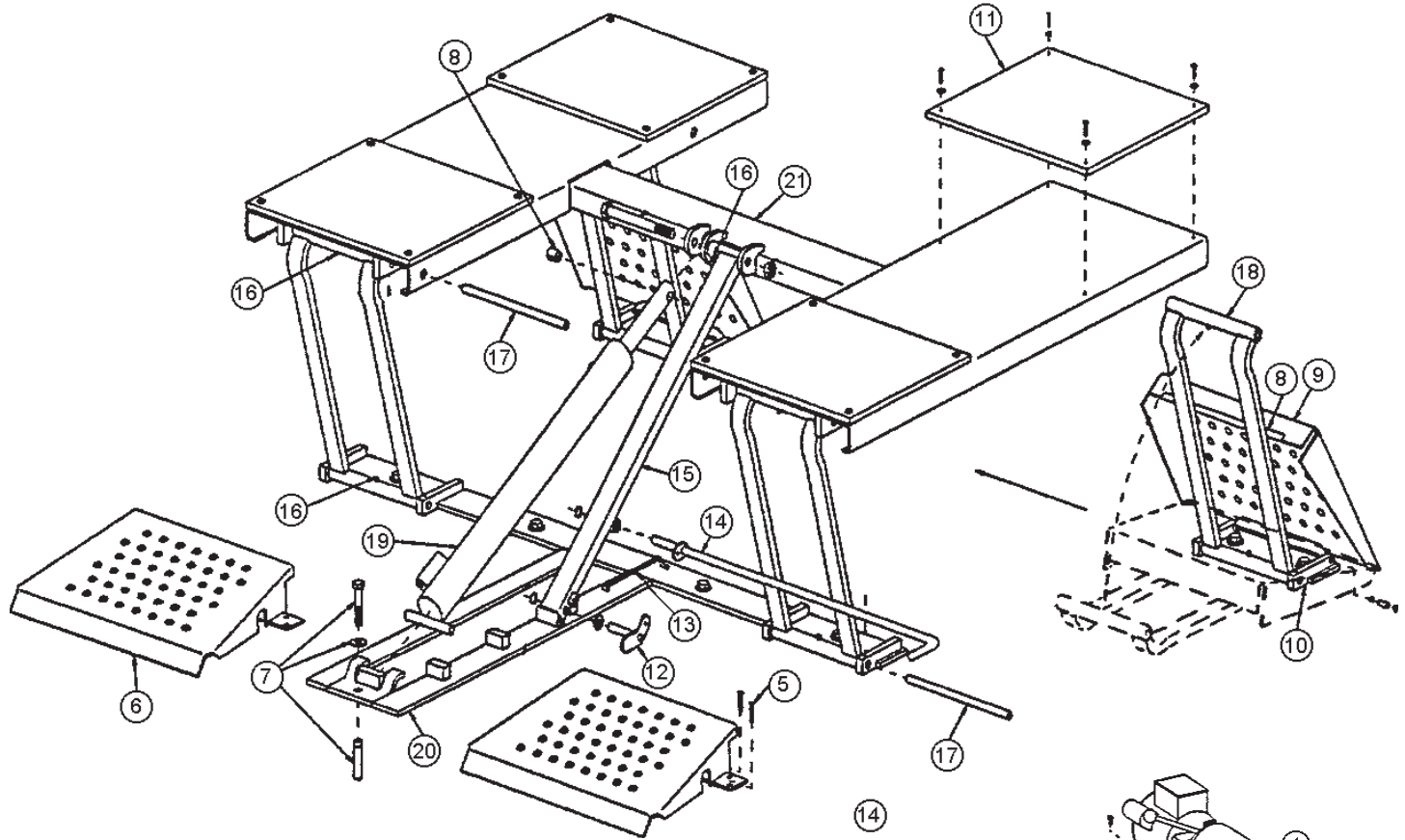
* Call with serial number to order seal kit.

To Order Call: 800-321-8173 or 630-844-5566 / Fax: 800-899-1784 or 630-844-6770

All names, numbers, symbols and descriptions are used for reference purposes only. It is not implied that any part listed is the product of these manufacturers, however, some parts may be the actual product of these manufacturers.

lift repair parts for Challenger / VBM lifts

for Model 65000



Item S V I	Ref. OEM	Qty	
No. Part Number	Part No. Req.	Description	
1 BH-7102-72	28983 1	Hydraulic Hose	
2 BH-7102-69	27932 2	3/8 x 2-1/4" Wedge Anchor	
3 BH-7102-73	85389 1	Stand	
4 BH-7007-01	28730 1	1/2HP 1PH 1Gal. Power Unit	
4 Call For Details	28731 1	50cy Power Unit	
5 BH-7102-74	84985 8	Drive Anchor	
6 BH-7230-07	85310 2	Front Ramp Weldment	
7 BH-7102-75	85410 9	Anchor Bolt	
8 BH-7102-76	84572 4	Protector Strip	
9 BH-7100-91	85306 2	Rear Ramp	
10 BH-7102-77	85297 2	Floor Bracket	
11 BH-7101-43	27480 4	Black Rubber Pad	
12 BH-7102-78	85385 1	Cam Weldment	
13 BH-7102-79	85386 1	Rod	
14 BH-7102-80	85394 1	Actuator Handle	
15 BH-7102-81	85345 1	Leg Lock Weldment	

Item S V I	Ref. OEM	Qty	
No. Part Number	Part No. Req.	Description	
16 BH-7102-56	27516 9	Grease Fitting	
17 BH-7102-82	85300 4	Hinge Pin	
18 BH-7102-83	85295 4	Leg Weldment	
19* BH-7101-42	27934 1	Hydraulic Cylinder	
20 BH-7102-84	85301 1	Base Weldment	
21 BH-7102-85	85920 1	Platform Weldment	

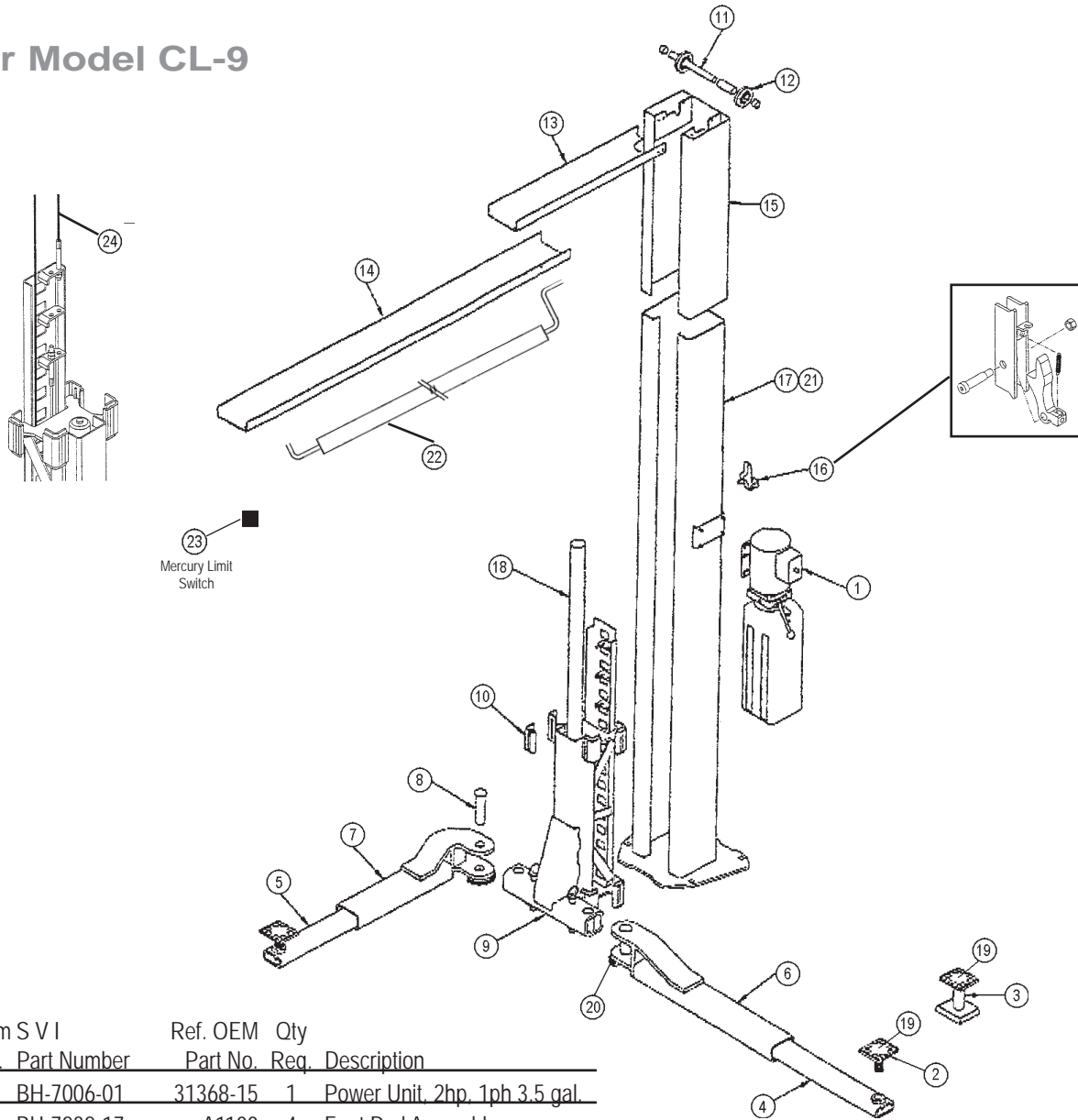
* Call with serial number to order seal kit.

To Order Call: 800-321-8173 or 630-844-5566 / Fax: 800-899-1784 or 630-844-6770

All names, numbers, symbols and descriptions are used for reference purposes only. It is not implied that any part listed is the product of these manufacturers, however, some parts may be the actual product of these manufacturers.

lift repair parts for Challenger / VBM lifts

for Model CL-9



Item SVI No.	Part Number	Ref. OEM Part No.	Qty Req.	Description
1	BH-7006-01	31368-15	1	Power Unit, 2hp, 1ph 3.5 gal.
2	BH-7232-17	A1100	4	Foot Pad Assembly
3	BH-7232-00	A1105-6	4	Slip On Height Extension 6"
3	BH-7232-21	A1105-10	4	Slip On Height Extension 10"
4	BH-7232-16	A1094-R	2	Rear Male Arm Assembly
5	BH-7232-15	A1094-F	2	Front Male Arm Assembly
6	BH-7232-14	A1086	2	Rear Female Arm Assembly
7	BH-7232-13	A1086	2	Front Female Arm Assembly
8	BH-7232-12	A1078	4	Arm Pin Assembly
9	BH-7232-10	A1025	2	Carriage Assembly
10	BH-7232-11	A1040	16	Slide Block
11	BH-7232-09	A1062	2	Sheave Pin
12	BH-7232-08	A1041	6	Cable Pulley
13	BH-7232-07	A1061	1	Overhead Assy - End Section
14	BH-7232-06	A1060	1	Overhead Assy - Mid Section
15	BH-7232-05	A1055	2	Column Extension Assembly

Item SVI No.	Part Number	Ref. OEM Part No.	Qty Req.	Description
13	BH-7232-07	A1061	1	Overhead Assy - End Section
14	BH-7232-06	A1060	1	Overhead Assy - Mid Section
15	BH-7232-05	A1055	2	Column Extension Assembly
16	BH-7232-04	A1042	2	Locking Pawl
17	BH-7232-02	A1010-P	1	Power Column Assembly
18	BH-7232-18		1	Cylinder
19	BH-7232-01		4	Rubber Pad
20	BH-7232-19		4	Arm Restraint
21	BH-7232-03	A1010-I	1	Idler Column Assembly
22	BH-7226-99	36035	1	Overhead Shutoff Bar Assy
23	BH-7229-37	36027	1	Mercury Limit Switch
24	BH-7232-20	A1115	2	Equalizer Cable

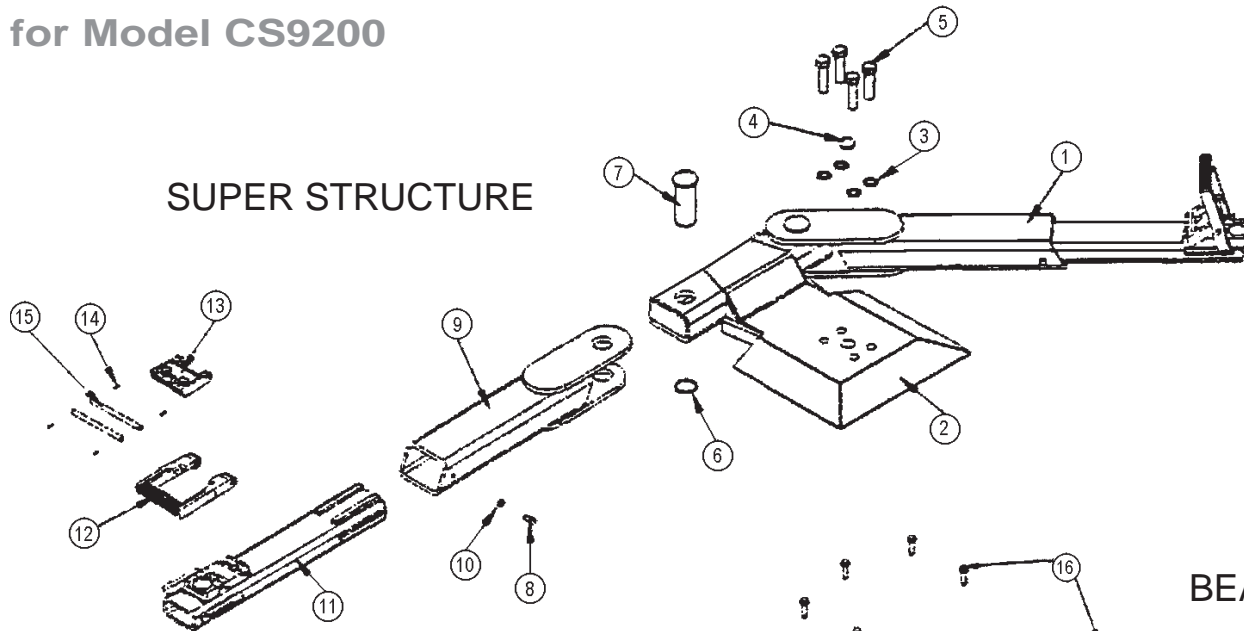
To Order Call: 800-321-8173 or 630-844-5566 / Fax: 800-899-1784 or 630-844-6770

All names, numbers, symbols and descriptions are used for reference purposes only. It is not implied that any part listed is the product of these manufacturers, however, some parts may be the actual product of these manufacturers.

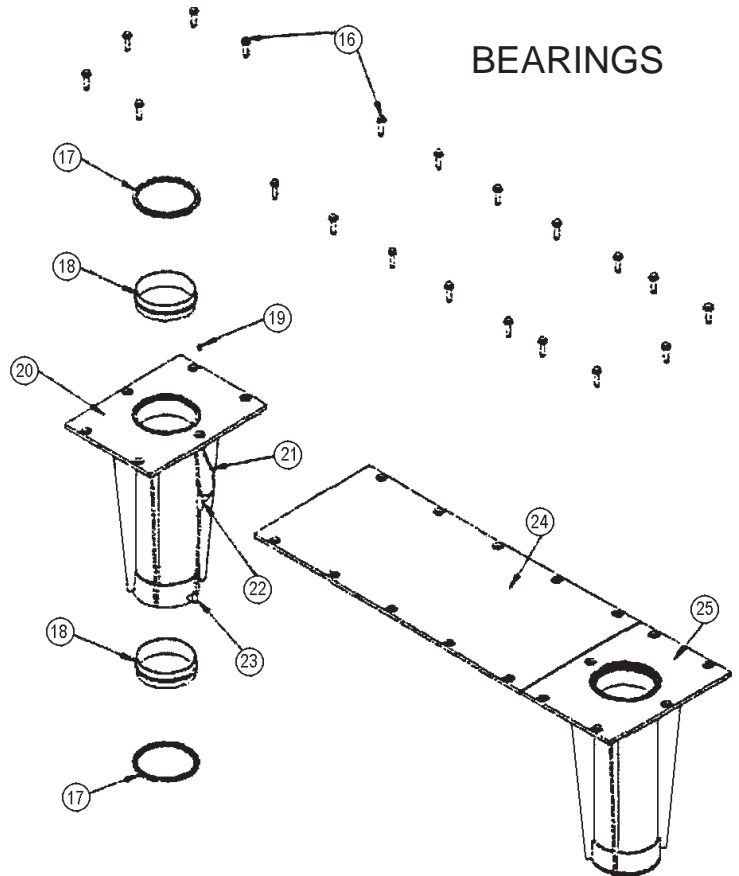
lift repair parts for Challenger / VBM lifts

for Model CS9200

SUPER STRUCTURE



BEARINGS



Item S V I	Ref. OEM	Qty	
No. Part Number	Part No. Req.	Description	
1 BH-7233-10	16104 4	Arm Assembly	
2 BH-7233-09	16103 2	Bolster	
3 BH-7233-08	16162 8	3/4" Ext. Tooth Lockwasher	
4 BH-7233-07	16160 2	1-1/4" Finishing Plug	
5 F-HC-0750-10-3000	16161 8	3/4-10x3 Hex Head Capscrew	
6 BH-7233-05	16125 4	1-7/8 Snap Ring	
7 BH-7233-04	16124 4	Arm Pin	
8 BH-7233-02	31305 4	3/8 Self Tapping Bolt	
9 BH-7233-03	16122 4	Female Arm Assembly	
10 BH-7233-01	31037 4	3/8 Spli Lockwasher	
11 BH-7233-00	16123 4	Male Arm Assembly	
12 BH-9620-05	M2139 4	High Pad	
13 BH-9620-06	M2138 4	Low Pad	
14 F-RP-125-0625	S19326 16	1/8 x 5/8 Roll Pin	
15 BH-9620-03	S19977 8	Adapter Pin	
16 BH-7233-11	16116 20	1/2-13x2 Self Tapping Bolt	
17 BH-7233-12	16127 4	Wiper	
18 BH-7233-13	16128 4	Bearing Ring	
19 BH-7233-14	16130 2	1/8 NPT Grease Fitting	

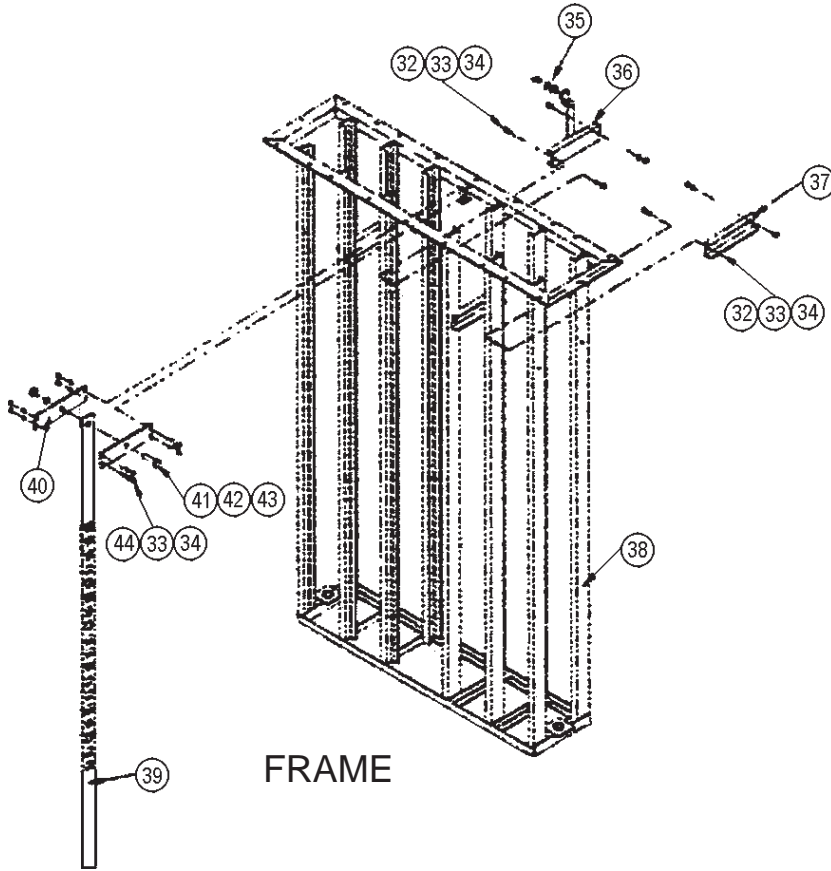
Item S V I	Ref. OEM	Qty	
No. Part Number	Part No. Req.	Description	
20 BH-7233-15	16126 2	Bearing Assembly	
21 BH-7233-16	16132 6	1/4" x 12" Grease Line	
22 BH-7233-17	16131 2	1/4" Push Lock Union Elbow	
23 BH-7233-18	16129 4	1/8 NPT x1/4 Push Lock Elbow	
24 BH-7233-19	16107 1	Cover Plate	
25 BH-7233-20	16106 2	Bearing Assembly	

To Order Call: 800-321-8173 or 630-844-5566 / Fax: 800-899-1784 or 630-844-6770

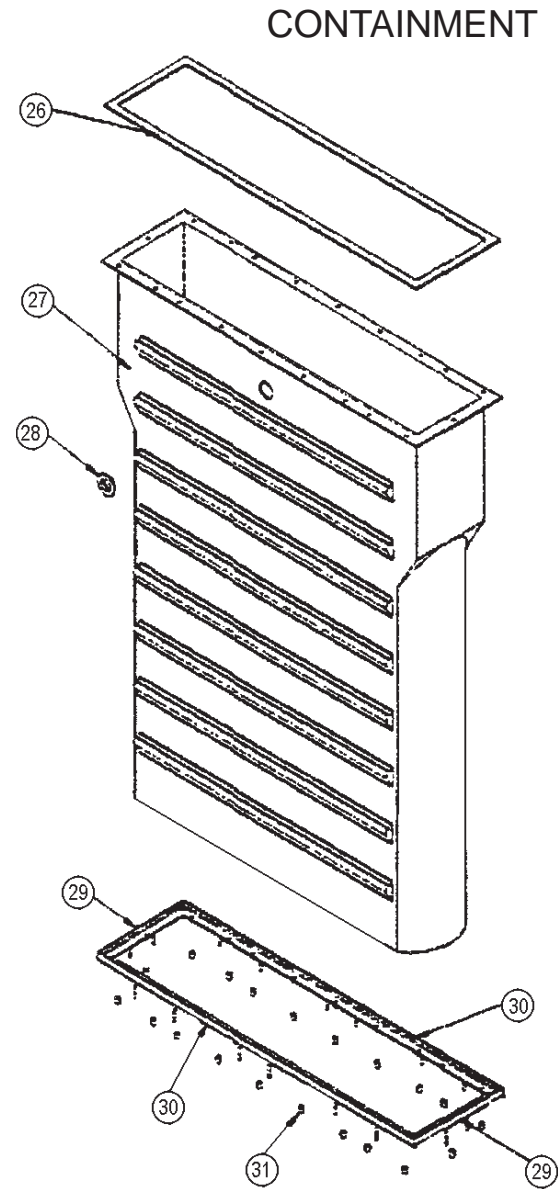
All names, numbers, symbols and descriptions are used for reference purposes only. It is not implied that any part listed is the product of these manufacturers, however, some parts may be the actual product of these manufacturers.

lift repair parts for Challenger / VBM lifts

for Model CS9200



FRAME



CONTAINMENT

Item S V I No.	Part Number	Ref. OEM Part No.	Qty Req.	Description
26	BH-7233-21	16108	1	5/16x1 Adhesive Gasket 15 ft.
27	BH-7233-22	16105	1	Containment Tub
28	BH-7223-23	15009	1	2" PVC Grommet
29	BH-7223-24	16110	2	Concrete Tie Weld - Short
30	BH-7223-25	16111	2	Concrete Tie Weld - Long
31	BH-7233-26	16115	20	3/4 x 1 Vinyl Cap
32	BH-7233-27	16157	8	1/2-13x1 Frame Support Bolt
33	BH-7233-28	16158	12	1/2" Ext. Tooth Lockwasher
34	F-HN-0500-13	16159	12	1/2-13 Hex Nut
35	BH-7233-30	15010	1	Hydraulic Line Clamp
36	BH-7233-31	16149	1	Frame Support Assembly
37	BH-7233-32	16150	3	Frame Support
38	BH-7233-33	16148	1	Frame Assembly
39	BH-7233-34	16151	1	Lock Ladder Assembly

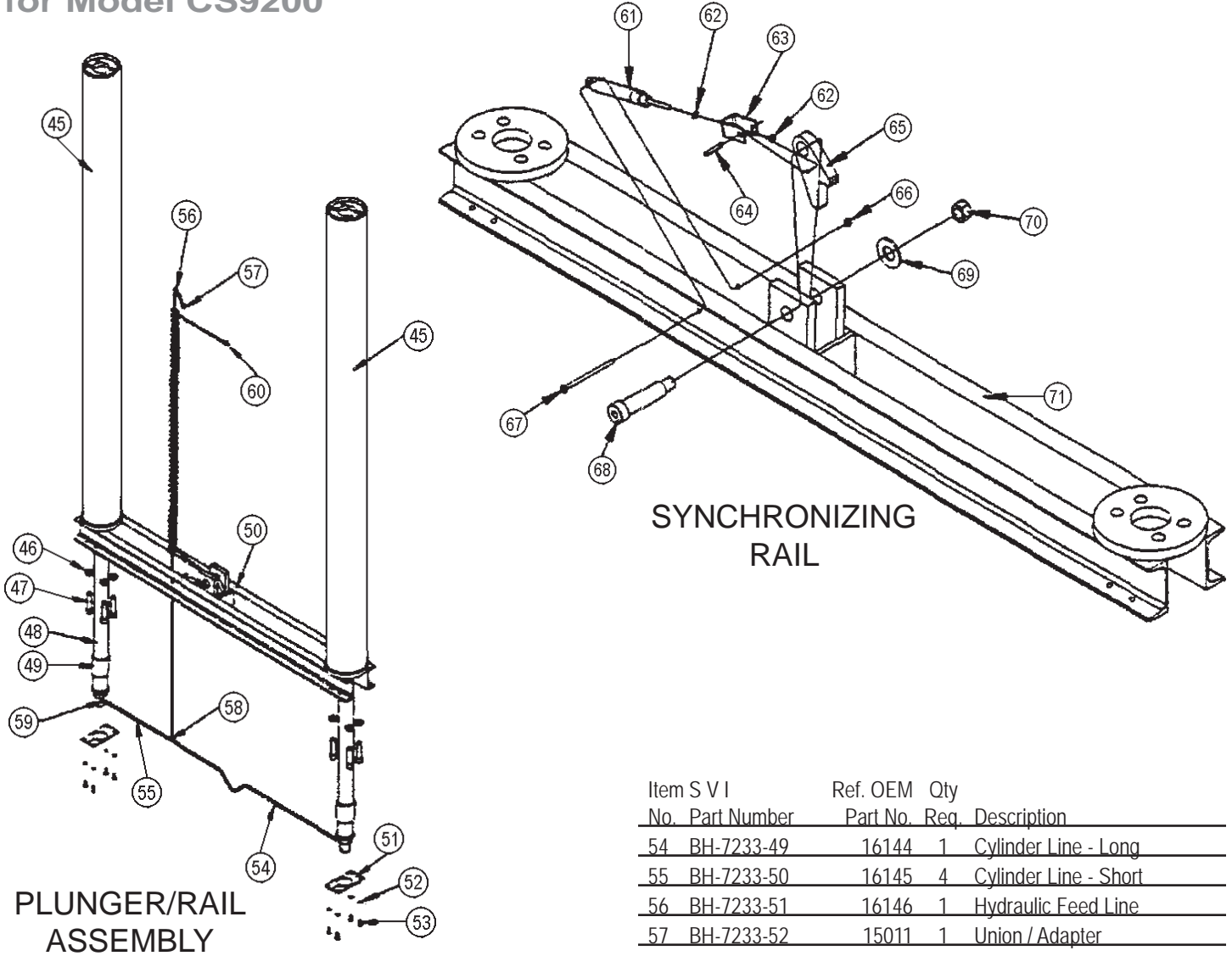
Item S V I No.	Part Number	Ref. OEM Part No.	Qty Req.	Description
40	BH-7233-35	16152	2	Ladder Rail
41	BH-7233-36	16153	1	7/8-9x3 Lock Ladder Bolt
42	BH-7233-37	16154	1	7/8 Ext. Tooth Lockwasher
43	F-HN-0875-09	16155	1	7/8-9 Hex Nut
44	BH-7233-39	16156	4	1/2-13x2-1/2 Ladder Rail Bolt

To Order Call: 800-321-8173 or 630-844-5566 / Fax: 800-899-1784 or 630-844-6770

All names, numbers, symbols and descriptions are used for reference purposes only. It is not implied that any part listed is the product of these manufacturers, however, some parts may be the actual product of these manufacturers.

lift repair parts for Challenger / VBM lifts

for Model CS9200



PLUNGER/RAIL ASSEMBLY

SYNCHRONIZING RAIL

Item S V I	No.	Part Number	Ref. OEM Part No.	Qty Req.	Description
	45	BH-7233-40	16137	2	Plunger
	46	BH-7233-41	09129	8	3/4 Split Lockwasher
	47	F-SC-0750-10-3000	S25259	8	3/4-10x3 Capscrew
	48	BH-7233-43	16138	2	2 x 68 Hydraulic Cylinder
	49	BH-7233-44	16139	2	Cylinder Sleeve
	50	BH-7233-45	16140	1	Synchronizing Rail Assembly
	51	BH-7233-46	16141	2	Cylinder Capture Plate
	52	BH-7233-47	16142	8	3/8" Ext. Tooth Lockwasher
	53	F-HC-0375-16-0750	16143	8	3/8-16x34 Capscrew

Item S V I	No.	Part Number	Ref. OEM Part No.	Qty Req.	Description
	54	BH-7233-49	16144	1	Cylinder Line - Long
	55	BH-7233-50	16145	4	Cylinder Line - Short
	56	BH-7233-51	16146	1	Hydraulic Feed Line
	57	BH-7233-52	15011	1	Union / Adapter
	58	BH-7226-73	31032	1	Union Tee
	59	BH-7228-45	31116	2	9/19 Sae Connector
	60	BH-7233-53	16147	1	Coiled Air Line
	61	BH-7233-54	40142	1	3/4x1-1/2 Air Cylinder
	62	F-JN-0500-28	40144	2	1/4-28 Jam Nut
	63	BH-7233-55	16214	1	Air Cylinder Clevis
	64	F-RP-0250-1500	16215	1	1/4x1-1/2 Roll Pin
	65	BH-7233-58	16213	1	Locking Pawl
	66	BH-7233-59	08097	1	1/4-20 Nylon Locknut
	67	F-HC-0250-20-4520	16192	1	1/4-20x4-1/4 Capscrew
	68	BH-7233-61	16190	1	1x3-1/2 Shoulder Bolt
	69	BH-7233-62	31183	1	1" Flat Washer
	70	BH-7233-63	31068	1	3/4-10 Nylon Locknut
	71	BH-7233-64	16189	1	Synchronizing Rail Assembly

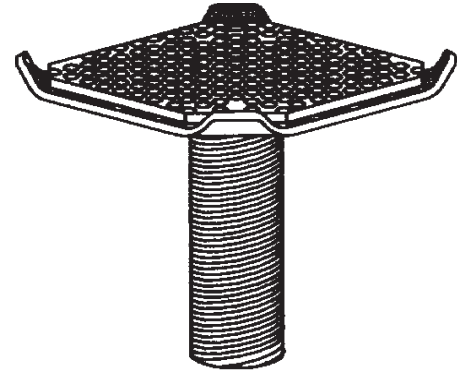
To Order Call: 800-321-8173 or 630-844-5566 / Fax: 800-899-1784 or 630-844-6770

All names, numbers, symbols and descriptions are used for reference purposes only. It is not implied that any part listed is the product of these manufacturers, however, some parts may be the actual product of these manufacturers.

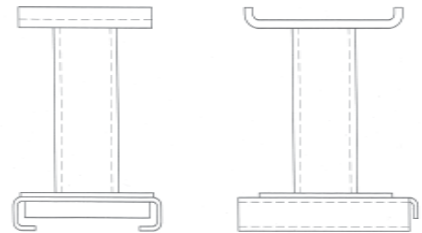
lift repair parts for Challenger / VBM lifts

Height Extensions

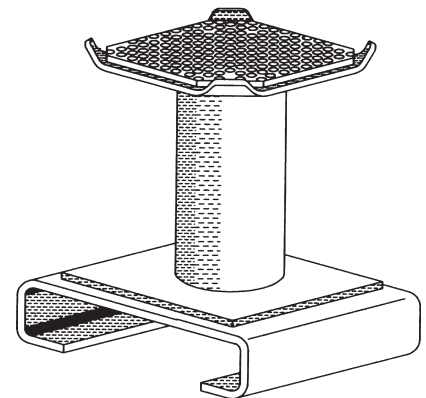
Item SVI No.	Part Number	Ref. OEM Part No.	Qty Req.	Description
	BH-7225-03	31133		1-1/4"-7 Hgt. 3-1/2"
	BH-7090-20	200079		1-1/4"-7 Hgt. 4"
	BH-7090-21			1-1/4"-7 Hgt. 5"
	BH-7090-22			1-1/4"-7 Hgt. 6"
	BH-7090-23			1-1/4"-7 Hgt. 7"
	BH-7225-04	10062		1-1/4"-7 Hgt. 8"
	BH-7227-41	200084		1-1/4"-7 Hgt. 10"
	BH-7227-42	200085		1-1/4"-7 Hgt. 12"
	BH-7225-01	200086		Replaceable Rubber Pad



Item SVI No.	Part Number	Ref. OEM Part No.	Qty Req.	Description
	BH-7232-00			6" Height Ext CI-9
	BH-7232-01	10303		Replaceable Rubber Pad



Item SVI No.	Part Number	Ref. OEM Part No.	Qty Req.	Description
	BH-7227-23			3" Slip-On
	BH-7227-24			4" Slip-On
	BH-7227-25			5" Slip-On
	BH-7225-02			6" Slip-On
	BH-7227-26			7" Slip-On
	BH-7227-27			8" Slip-On
	BH-7225-05			9" Slip-On
	BH-7227-28			10" Slip-On
	BH-7227-29			11" Slip-On
	BH-7227-30			12" Slip-On
	BH-7225-01	200086		Replaceable Rubber Pad



For additional height extension information, see SVI's Lift Repair Catalog LRC7090 Height Extensions.