

Fig. 1

LOWER SIDE  
UNWAY  
↓  
AIR  
SUPPLY

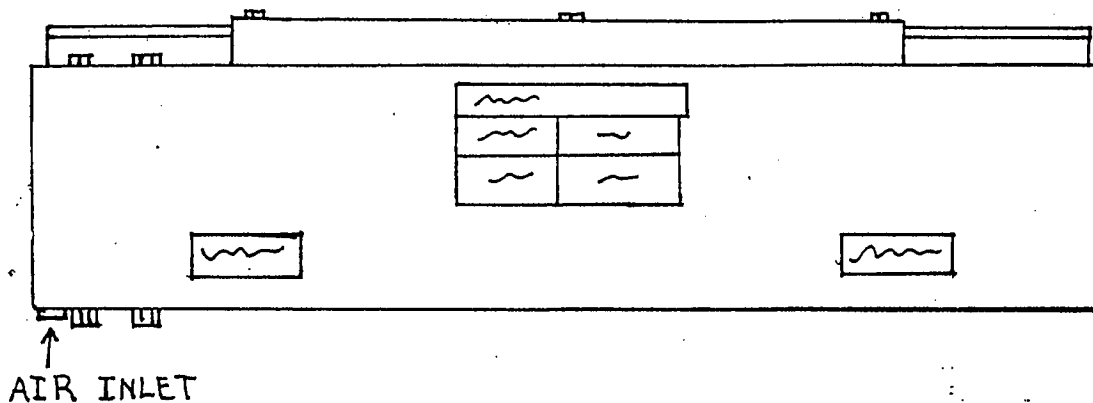
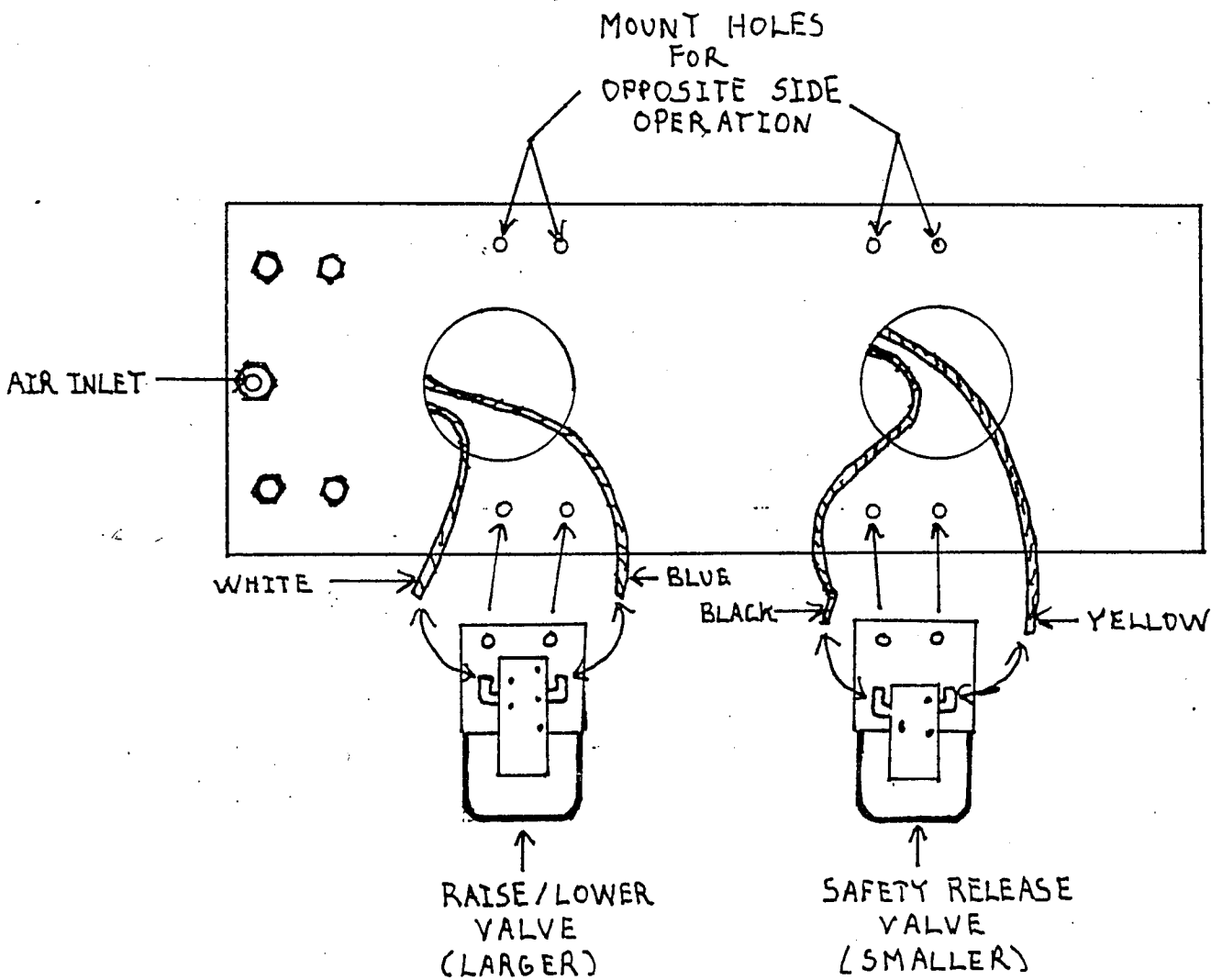
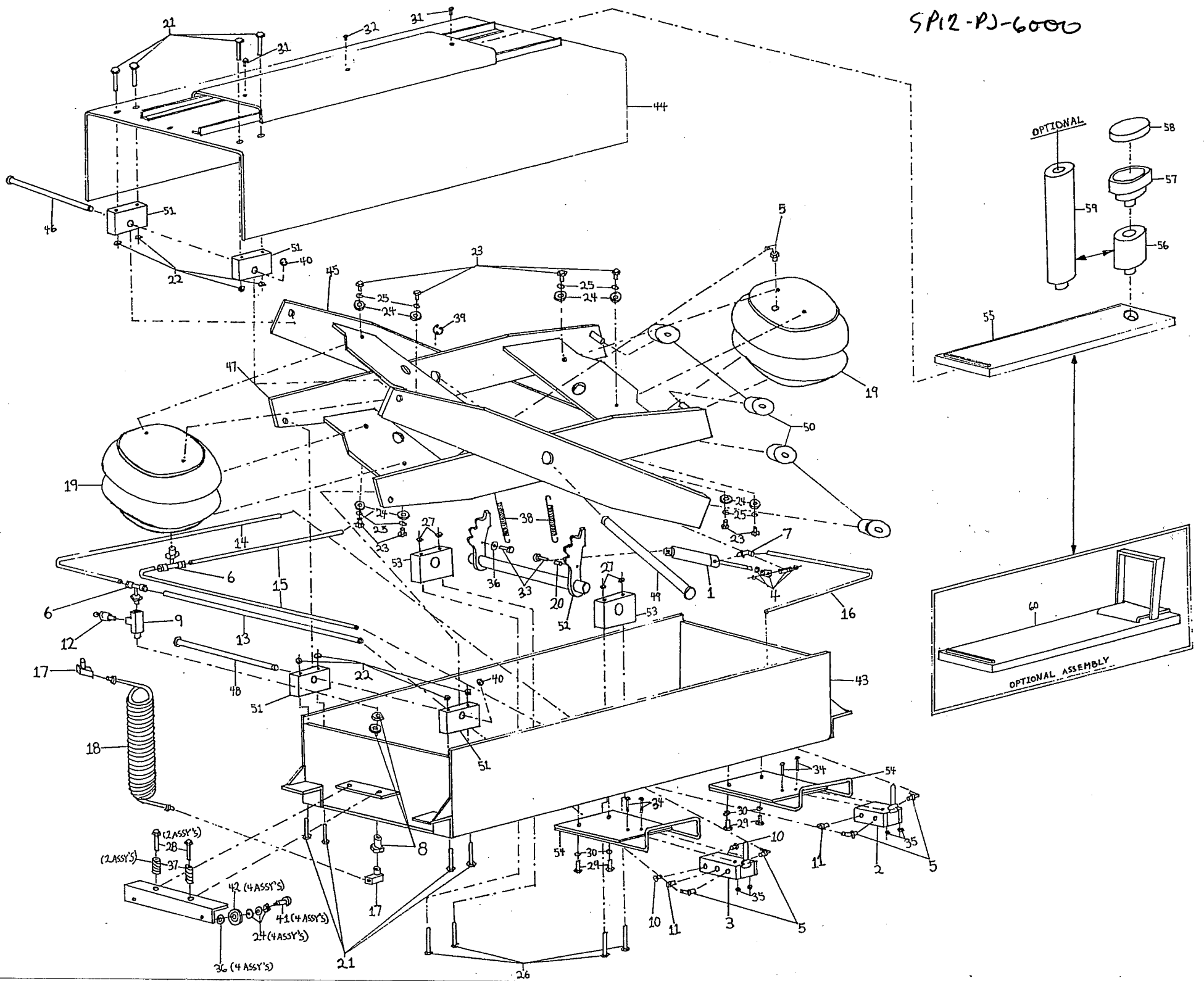


Fig. 2



SP12-PJ-6000



<u>ITEM</u>	<u>DESCRIPTION</u>	<u>PART#</u>	<u>QTY</u>
1	AIR CYLINDER	PJ06-PT-040	1
2	AIR VALVE - 3 WAY	PJ06-PT-041	1
3	AIR VALVE 4 - WAY	PJ06-PT-042	1
4	CLEVIS MOUNT ASSEMBLY	PJ06-PT-043	1
5	FITTING-1/4NPT(M)-1/4TUBE 90deg. ELBOW	PJ06-PT-044	5
6	FITTING-1/4NPT(M)-1/4NPT TUBE 'T'	PJ06-PT-045	2
7	FITTING-1/8NPT(M)-1/4 TUBE 90 deg. ELBOW	PJ06-PT-046	1
8	BULKHEAD FITTING	SP10-JB-037	1
9	FITTING-1/4NPT STREET 'T'	PJ06-PT-047	1
10	FITTING-1/4NPT(M) PLASTIC PLUG	PJ06-PT-048	2
11	FITTING-1/4NPT(M) VENT	PJ06-PT-049	2
12	FITTING-1/4NPT(M) RELIEF VALVE-120 PSI	PJ06-PT-050	1
13	NYLON TUBE-1/4"OD X 21"LONG(WHITE)	PJ06-PT-051	1
14	NYLON TUBE-1/4"OD X 34"LONG(BLACK)	PJ06-PT-052	1
15	NYLON TUBE-1/4"OD X 16"LONG(BLUE)	PJ06-PT-053	2
16	NYLON TUBE-1/4"OD X 18"LONG(YELLOW)	PJ06-PT-054	1
17	FITTING-1/4NPT(M)-1/4NPT(F) 90deg. ELBOW	SP10-JB-038	2
18	SELF STORING HOSE X 25'	SP10-JB-039	1
19	AIR BAG ACTUATOR	PJ06-PT-055	2
20	HEX NUT 1/4"-20	PJ06-PT-009	1
21	HEX SCREW 3/8"-16 X 3" Gr.8	PJ06-PT-001	8
22	NYLON INSERT HEX NUT 3/8"-16	PJ06-PT-002	8
23	HEX SCREW 3/8"-16 X 1 1/4" Gr.8	PJ06-PT-003	8
24	FLAT WASHER 3/8"ID	SP10-PC-220	20
25	LOCK WASHER 3/8"ID	SP10-PC-205	8
26	HEX SCREW 5/16"-18 X 3 1/4" Gr.8	PJ06-PT-004	4
27	NYLON INSERT HEX NUT 5/16"-18	SP10-JB-009	4
28	HEX SCREW 5/16"-18 X 2 1/4" Gr.8	SP10-JB-025	4
29	HEX SCREW 5/16"-18 X 3/4" Gr.5	SP10-PP-008	4
30	LOCK WASHER 5/16"ID	SP10-PP-205	4
31	HEX SCREW 1/4"-20 X 1/2" Gr.8	SP10-JB-001	2
32	HEX SCREW 1/4"-20 X 5/8" Gr.8	SP10-JB-002	1
33	HEX SCREW 1/4"-20 X 1 1/2" Gr.8	PJ06-PT-005	2
34	MACHINE SCREW #10-24 X 1 1/2"	PJ06-PT-006	4
35	NYLON INSERT HEX NUT #10-24	PJ06-PT-007	4
36	FLAT WASHER 1/4"ID	SP10-JB-034	5
37	DIE SPRING 3/4" X 1 1/2" Code RED	SP10-JB-026	4
38	TENSION SPRING-SAFETY	SP10-JB-018	2
39	C-CLIP 1"ID E-TYPE	SP10-JB-043	1
40	C-CLIP 3/4"ID E-TYPE	PJ06-PT-008	2
41	STRIPPER BOLT 3/8"OD X 1/2"	SP10-PC-058	4
42	WHEEL BEARING	SP10-JB-029	4
43	JACK BOX BOTTOM	PJ06-BT-013	1
44	JACK BOX TOP	PJ06-TP-007	1
45	OUTER SCISSOR SECTION	PJ06-SC-005	1
46	OUTER SCISSOR SHAFT	PJ06-SC-013	1
47	INNER SCISSOR SECTION	PJ06-SC-007	1
48	INNER SCISSOR SHAFT	PJ06-SC-014	1
49	CENTER SCISSOR SHAFT	PJ06-SC-012	1
50	SCISSOR ROLLER ASSEMBLY	PJ06-SC-011	4

## SP12-PJ-6000 PARTS BREAKDOWN

<u>ITEM</u>	<u>DESCRIPTION</u>	<u>PART#</u>	<u>QTY</u>
51	SCISSOR PILLOW BLOCK	PJ06-SC-015	4
52	SAFETY ASSEMBLY	PJ06-BT-053	1
53	SAFETY PILLOW BLOCK	PJ06-BT-055	2
54	VALVE MOUNT BRACKET	PJ06-BT-016	2
55	SLIDING JACK ARM	SP12-JB-021	2
56	LIFT PAD EXTENSION-3"	SP12-JB-014	2
57	LIFT PAD	SP12-JB-015	2
58	LIFT PAD INSERT(RUBBER PUCK)	SP12-JB-0162	2
59	LIFT PAD EXTENSION-10"(OPTIONAL)	SP12-JB-025	2
60	JACK ARM-SWIVELLING LIFT PAD(OPTION)	SP12-JB-100	2