

---

---

---

**CHAMPION®**

13-8-516  
Version: 10  
April 12, 2004

**ROTORCHAMP  
BASE-MOUNTED  
COMPRESSOR**

**MODELS -- EFC99B**

**20, 25 & 30 HP**

**PARTS LIST**



**MAINTAIN COMPRESSOR RELIABILITY AND PERFORMANCE WITH  
GENUINE CHAMPION® COMPRESSOR  
PARTS AND SUPPORT SERVICES**

Champion® Compressor genuine parts, manufactured to design tolerances, are developed for optimum dependability – specifically for Champion compressor systems. Design and material innovations are the result of years of experience with hundreds of different compressor applications. Reliability in materials and quality assurance is incorporated in our genuine replacement parts.

Your authorized Champion Compressor distributor offers all the backup you'll need. A worldwide network of authorized distributors provides the finest product support in the air compressor industry. Your local authorized distributor maintains a large inventory of genuine parts and he is backed up for emergency parts by direct access to the Master Distribution Center (MDC) in Memphis, Tennessee.

Your authorized distributor can support your Champion air compressor with these services:

1. Trained parts specialists to assist you in selecting the correct replacement parts.
2. Factory warranted new and remanufactured rotary screw airends. Most popular model remanufactured airends are maintained in stock at the Remanufacturing Center in Indianapolis, IN., for purchase on an exchange basis with liberal core credit available for the replacement unit.
3. A full line of factory tested RotorLub™ compressor lubricants specifically formulated for use in Champion compressors.
4. Repair and maintenance kits designed with the necessary parts to simplify servicing your compressor.

Authorized distributor service technicians are factory trained and skilled in compressor maintenance and repair. They are ready to respond and assist you by providing fast, expert maintenance and repair services.

**For the location of your local authorized Champion Air Compressor distributor, refer to the yellow pages of your phone directory or contact:**

**Factory:**  
Champion  
1301 N. Euclid Ave.  
Princeton, IL. 61356  
Phone: (815) 875-3321  
Fax: (815) 872-0421

**INSTRUCTIONS FOR ORDERING REPAIR PARTS**

When ordering parts, specify Compressor MODEL, Method of Cooling, HORSEPOWER and SERIAL NUMBER (see nameplate on unit). The Serial Number is also stamped on top of the discharge bearing carrier casting.

All orders for Parts should be placed with the nearest authorized distributor.

Where NOT specified, quantity of parts required per compressor or unit is one (1); where more than one is required per unit, quantity is indicated in parenthesis. SPECIFY EXACTLY THE NUMBER OF PARTS REQUIRED.

DO NOT ORDER BY SETS OR GROUPS.

To determine the Right-Hand and Left-Hand side of a compressor, stand at the motor end and look toward the compressor. Right-Hand and Left-Hand are indicated in parenthesis following the part name, i.e. (RH) and (LH), when appropriate.

## **TOTAL PRODUCT SUPPORT – CHAMPION'S CONTINUING COMMITMENT TO YOUR AIR COMPRESSOR PERFORMANCE**

Commitment to total product support continues long after the purchase of your quality Champion rotary screw compressor.

Champion original parts incorporate years of experience and improvements in design, materials and quality assurance. Maintaining your compressor investment with Champion parts will insure protection for the air compressor unit and long, dependable service life.

Your authorized Champion compressor distributor maintains a complete stock of all common maintenance parts, factory approved Rotorlub lubricants, and Champion factory warranted exchange airends. In addition, authorized distributor technicians are factory trained, and can provide complete diagnostic, compressor maintenance and repair services.

This manual is designed to assist you in maintaining high performance and receiving many years of dependable service you expect from your Champion compressor.

### **REMANUFACTURED AIRENDS**

Whenever an airend requires replacement or repair, Champion offers an industry unique, factory remanufactured airend exchange program. From its modern Remanufacturing Center in Indianapolis, IN., Champion is committed to supplying you with the highest quality, factory remanufactured airends that are guaranteed to save you time, aggravation and money.

#### **Immediately Available**

Repair downtime costs you money, which is why there are over 200 remanufactured units in inventory at all times, ready for immediate delivery.

#### **Skilled Craftsmen**

Our Remanufacturing assembly technicians average over 20 years experience with air compression products.

#### **Precision Remanufacturing**

All potentially usable parts are thoroughly cleaned, inspected and analyzed. Only those parts that can be brought back to original factory specifications are remanufactured. Every remanufactured airend receives a new overhaul kit: bearings, gears, seals, sleeves and gaskets.

#### **Extensive Testing**

Champion performs testing that repair houses just don't do. Magnaflux and ultrasonic inspection spot cracked or stressed castings, monochromatic light analysis exposes oil leaks, and coordinate measurement machine inspects to +/- .0001", insuring that all remanufactured airends meet factory performance specifications.

#### **Warranty**

Champion backs up every remanufactured airend with a new warranty...18 months from purchase, 12 months from service.

Champion remanufactured airends deliver *quality without question...year in and year out.*

Call Champion for information on the airend exchange program and the name of your authorized distributor.

Phone Number: 815-875-3321 or  
Fax: 815-872-0421

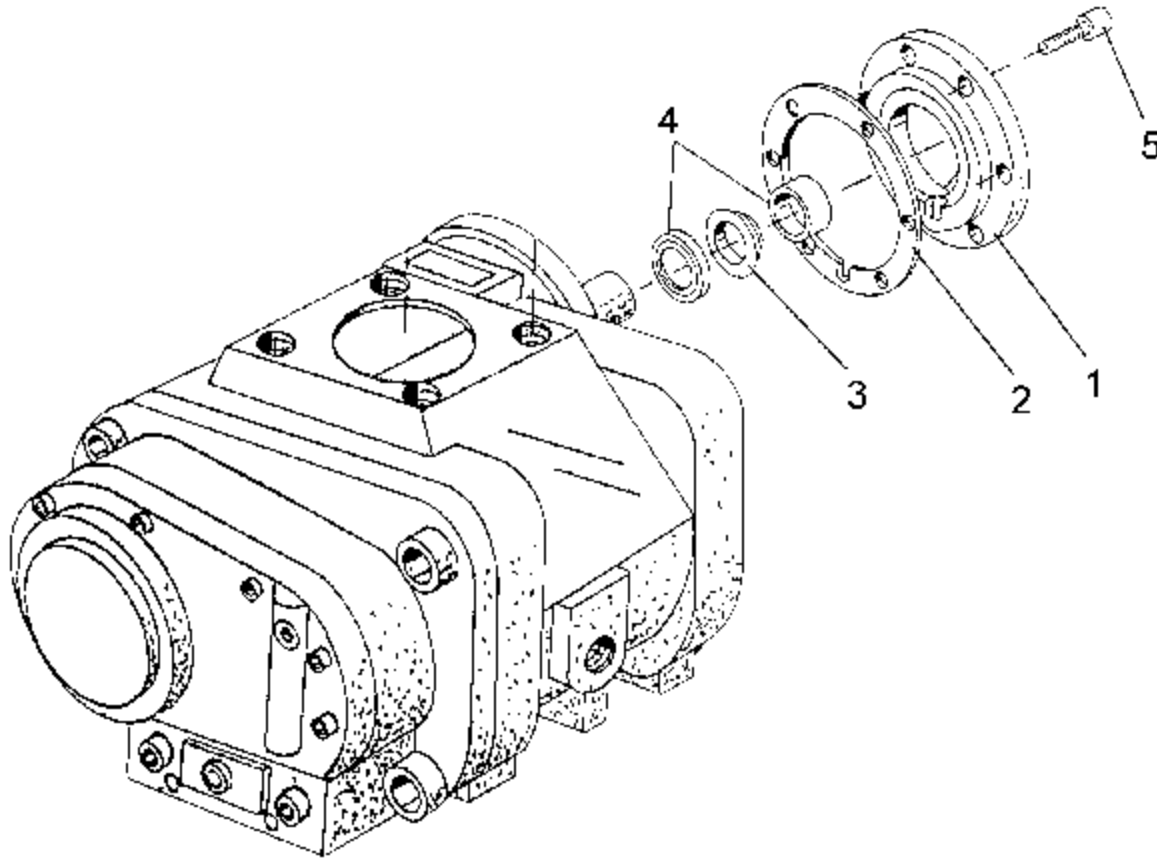
## TABLE OF CONTENTS

Maintain Compressor Reliability And Performance With Genuine Champion Compressor Parts And Support Services .....	i
Instructions For Ordering Repair Parts .....	i
Total Product Support – Champion’s Continuing Commitment To Your Air Compressor Performance .....	ii
Remanufactured Airends .....	ii
Airend Group .....	1
Bare Compressor.....	2
Encapsulated Compressor Parts.....	3, 4
Inlet Valve Repair Parts.....	5, 6
Minimum Pressure/Check Valve .....	7, 8
Air Filter Mounting Group.....	9
Piping Group .....	10
Base And Mounting Group.....	11, 12
Enclosure Group.....	13, 14
Drive Groups – 20 HP .....	15, 16
Drive Groups – 25 HP – 256T ODP .....	17, 18
Drive Groups – 25 HP – 284T TEFC And 30 HP .....	19, 20
Control Piping.....	21, 22
Quiet Baffle .....	23
Moisture Separator.....	24
Discharge Piping Group .....	25
Decal & Fuse Group.....	26
Controller Assembly – Full Voltage Starter – 20 HP, 25 HP And 30 HP .....	27
Controller Assembly – Full Voltage Starter – 20 HP .....	28
Controller Assembly – Full Voltage Starter – 25 HP .....	29
Controller Assembly – Full Voltage Starter – 30 HP .....	30
Controller Assembly – Wye Delta Starter – 20 HP, 25 HP And 30 HP .....	31
Controller Assembly – Wye Delta Starter – 20 HP .....	32
Controller Assembly – Wye Delta Starter – 25 HP .....	33
Controller Assembly – Wye Delta Starter – 30 HP .....	34
Controller Assembly – Less Main Motor Starter.....	35, 36
Controller Assembly.....	37
Controller Assembly - Board.....	38
Main Motor (Full Voltage) .....	39
Main Motor (Wye Delta).....	40
Overload Relay Heater Conversion Listing.....	41
Group Identification And Instruction.....	42
Repair Kits .....	43, 44

**For Operating and Service Instructions, See:**

<b>SERVICE MANUAL</b>	<b>13-8-622</b>
<b>AUTO SENTRY CONTROL</b>	<b>13-8-624</b>

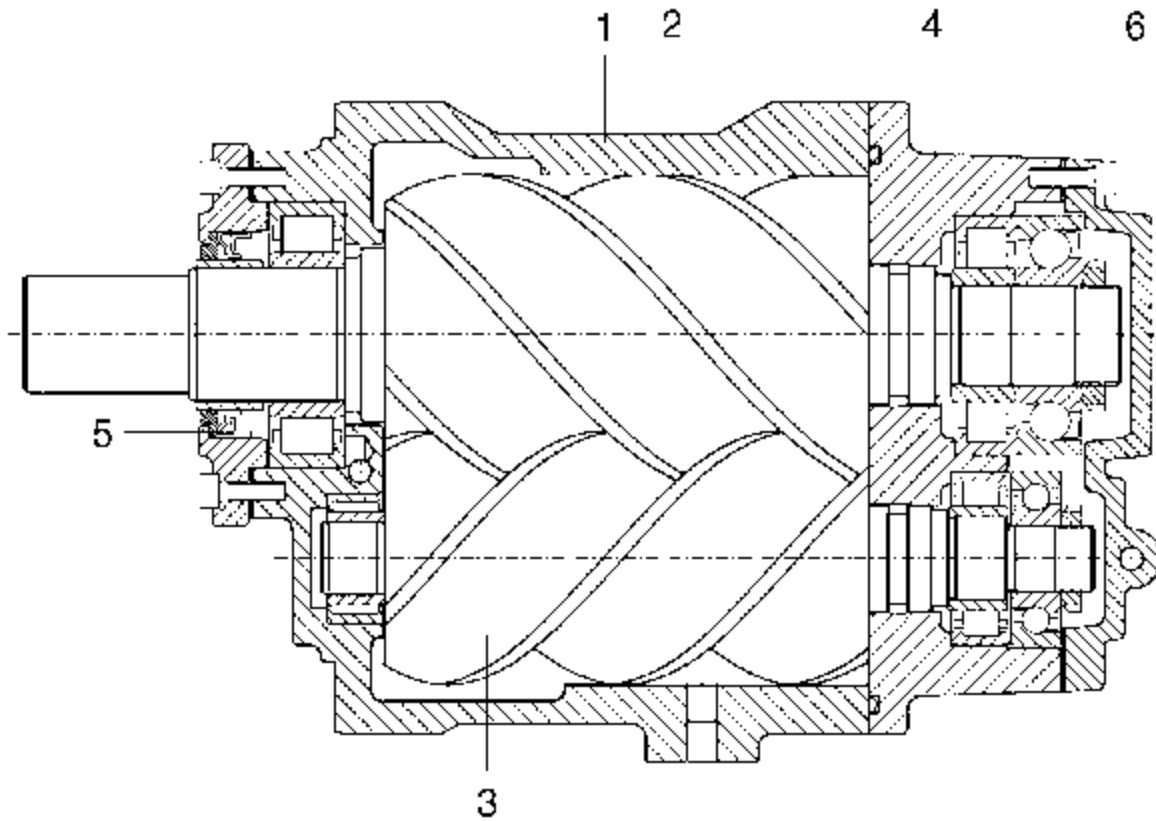
Order by Part Number and Description. Reference Numbers are for your convenience only.



**AIREND GROUP**

**B/M: EFC04022374**

Ref. No.	Name of Part	Qty.	Part No.
1	SEAL HOUSING .....	1	EFC03791828
2	GASKET.....	1	EFC30809658
3	SPACER.....	1	EFC30806218
4	SHAFT SEAL REPAIR KIT .....	1	EFC30834020
5	SCREW.....	6	EFC44577460



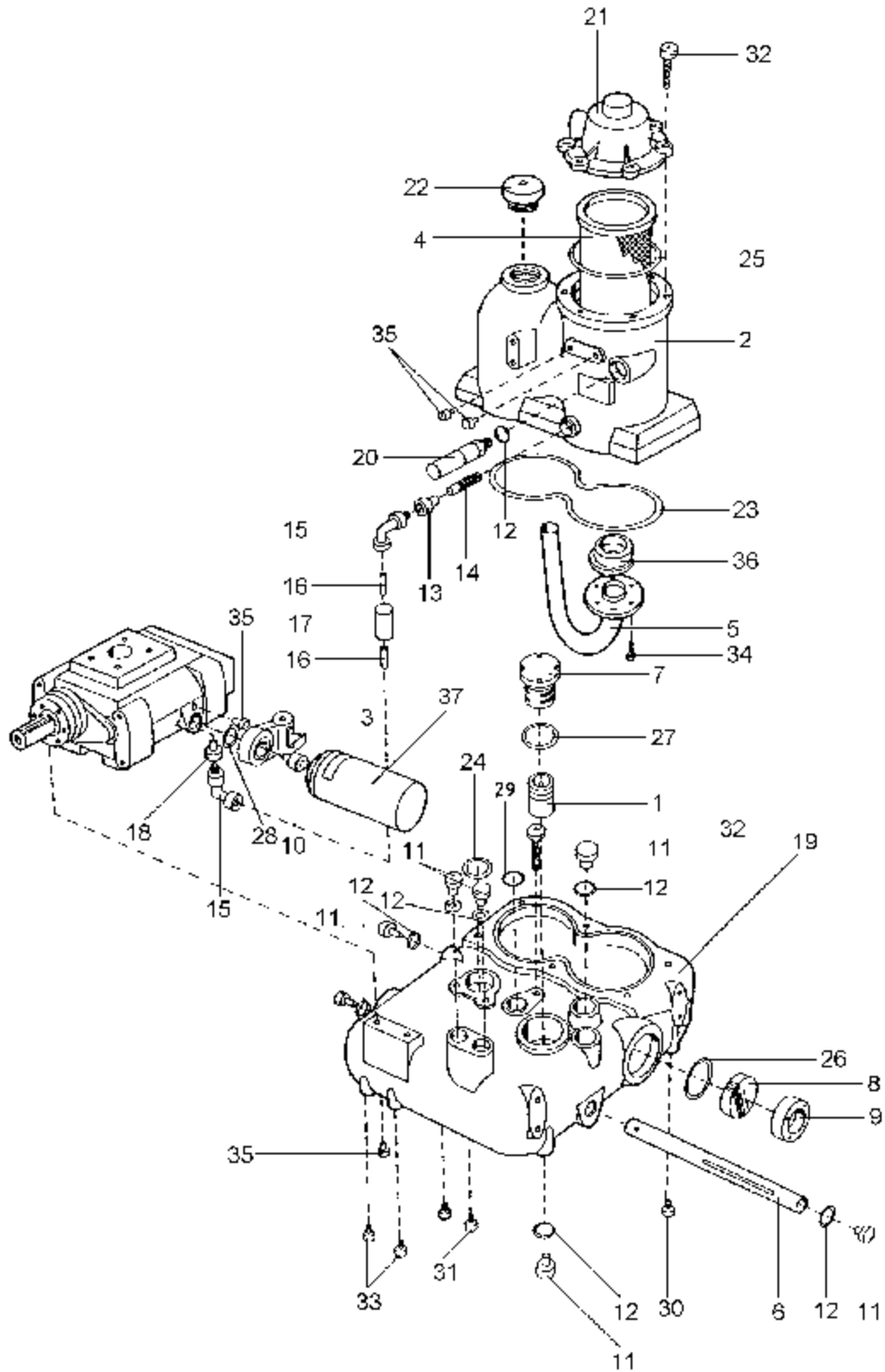
**BARE COMPRESSOR**

<b>Ref. No.</b>	<b>Name of Part</b>
1	CYLINDER
2	MAIN ROTOR
3	SECONDARY ROTOR
4	DISCHARGE BEARING HOUSING
5	DRIVE SHAFT SEAL
6	DISCHARGE END PLATE

For Replacement Bare Airend Repair Kit, order Part Number 306EFC6013. See Page 43.

For Periodic Overhaul Kit, order Part Number 307EFC6013. See Page 44. .

# ENCAPSULATED COMPRESSOR PARTS



Order by Part Number and Description. Reference Numbers are for your convenience only.

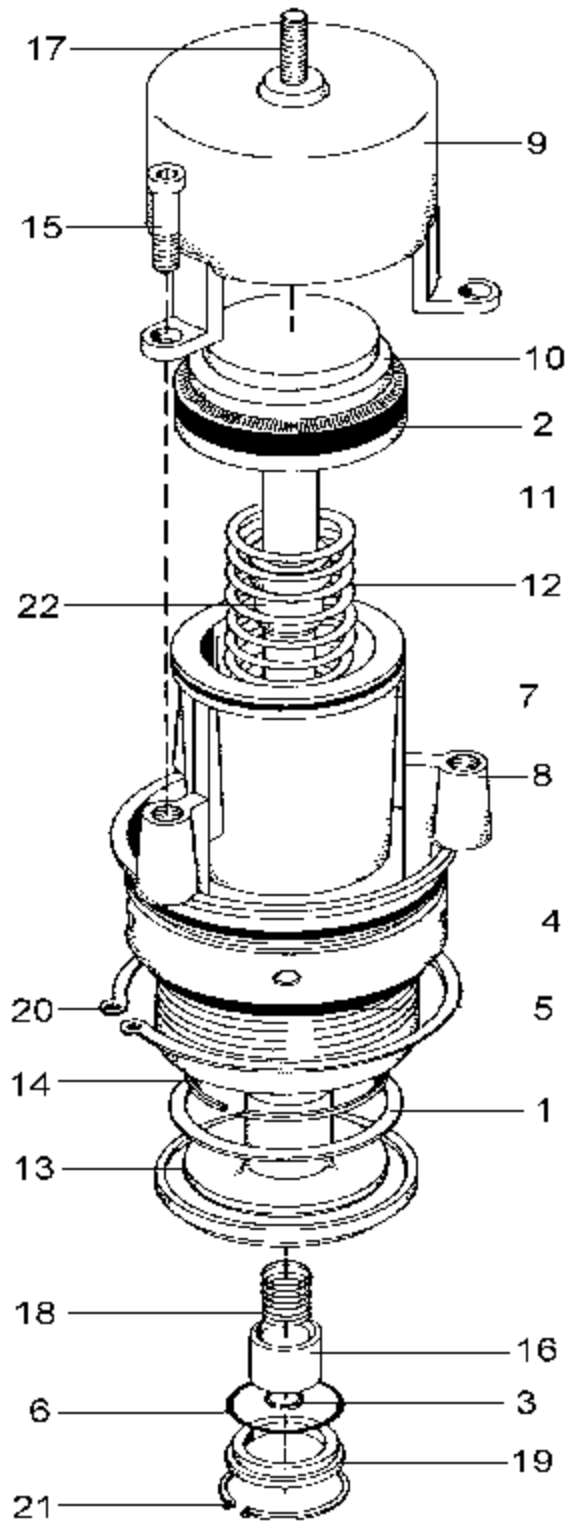
ENCAPSULATED COMPRESSOR PARTS

B/M: EFC03981121

Ref. No.	Name of Part	Qty.	Part No.
1	THERMOSTAT ELEMENT		
	150° Standard .....	1	EFC89560169
	180° Optional .....	1	EFC89626099
2	SEPARATOR HOUSING .....	1	EFC04028458
3	OIL FILTER MANIFOLD.....	1	EFC03981258
4	OIL SEPARATOR ELEMENT.....	1	2117912
5	AIR SEPARATION SHOTGUN.....	1	EFC37622338
6	TUBE .....	1	EFC37641008
7	THERMOSTAT HOUSING.....	1	EFC37622208
8	OIL SITE GLASS .....	1	EFC30899578
9	RETAINER .....	1	EFC30915118
10	DOUBLE NIPPLE .....	1	EFC30932308
11	PLUG .....	7	EFC03381178
12	GASKET.....	8	EFC80034799
13	HOUSING,OIL SCAVENGE LINE SCREEN.....	1	EFC30941448
14	OIL SCAVENGE LINE SCREEN.....	1	EFC85588619
15	ELBOW .....	2	EFC85267219
16	ORIFICE.....	2	EFC30895408
17	PLASTIC TUBE .....	2	EFC85200200
18	CHECK VALVE.....	1	EFC89597779
19	OIL SUMP/BASE .....	1	EFC04028328
20	PRESSURE RELIEF VALVE .....	1	EFC80664859
21	MINIMUM PRESSURE/CHECK VALVE ASSEMBLY .....	1	EFC03603078
22	PLUG .....	1	EFC85328079
23	O-RING .....	1	EFC89594619
24	O-RING .....	1	EFC89594599
25	O-RING .....	1	EFC85387979
26	O-RING .....	1	EFC89573939
27	O-RING .....	1	EFC85646299
28	O-RING .....	1	EFC89594469
29	O-RING .....	1	EFC89534789
30	SCREW.....	6	EFC89594749
31	SCREW.....	2	EFC89536399
32	SCREW.....	7	EFC44572670
33	SCREW.....	2	EFC89558519
34	SCREW.....	6	EFC80242159
35	PLUG .....	8	EFC80704779
36	ADAPTOR.....	1	EFC30934298
37	OIL FILTER .....	1	2117916



# INLET VALVE REPAIR PARTS

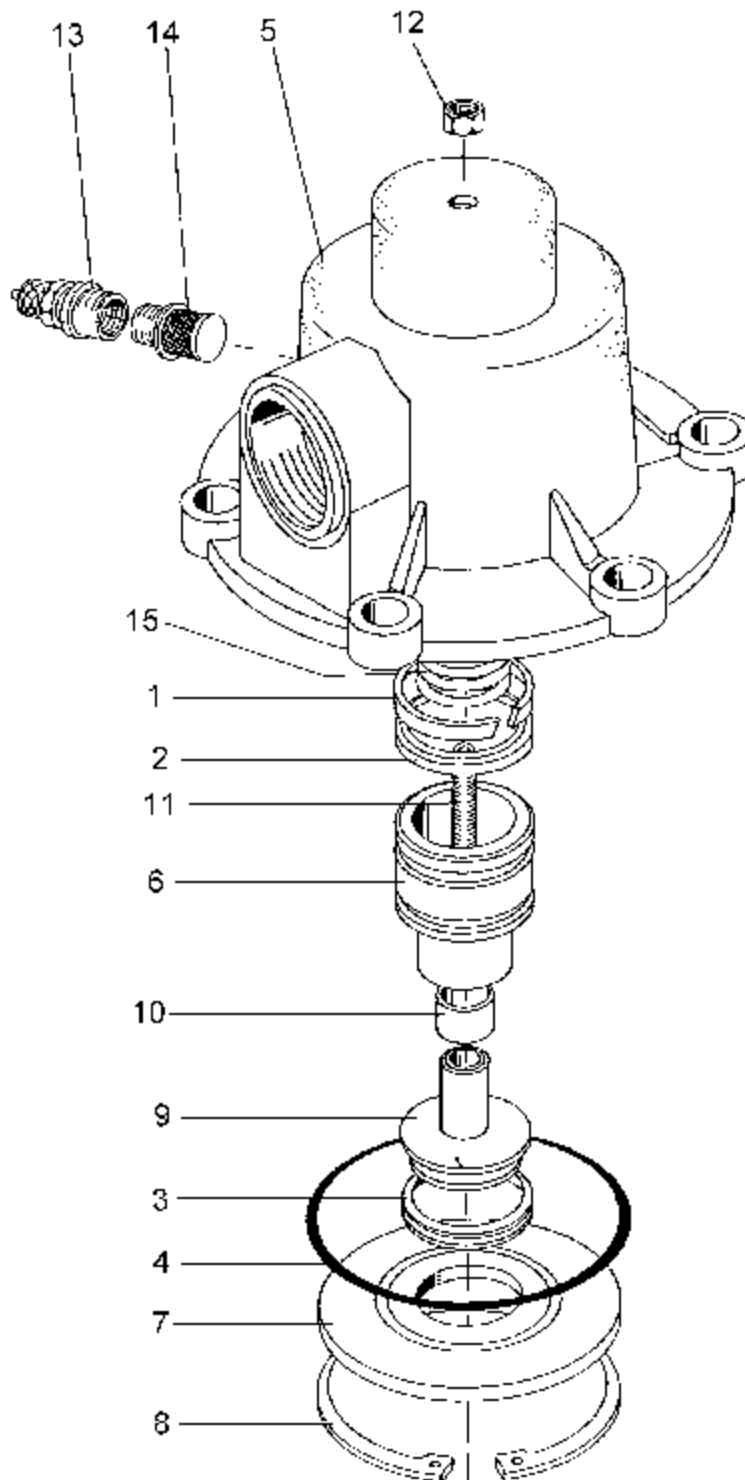


Order by Part Number and Description. Reference Numbers are for your convenience only.

**INLET VALVE REPAIR PARTS**

Ref. No.	Name of Part	Part No.
	INLET VALVE ASSEMBLY .....	EFC03602068
	INLET VALVE SEAL KIT (Includes Reference Numbers 1, 2, 4-7).....	EFC03387538
	INLET VALVE REPAIR KIT (Includes Reference Numbers 1-7, 9, 12, 16, 18, 22).....	EFC89555209
1	GASKET.....	
2	GASKET.....	
3	LOCK RING.....	
4	O-RING .....	
5	O-RING .....	
6	O-RING .....	
7	O-RING .....	
8	HOUSING.....	
9	COVER .....	
10	PISTON.....	
11	PISTON ROD .....	
12	SPRING .....	
13	PLATE.....	
14	STOP RING.....	
15	SCREW.....	
16	BEARING BUSHING.....	
17	SCREW.....	
18	SPRING .....	
19	PLUG .....	
20	LOCK RING.....	
21	STOP RING.....	
22	BEARING .....	

# MINIMUM PRESSURE/CHECK VALVE

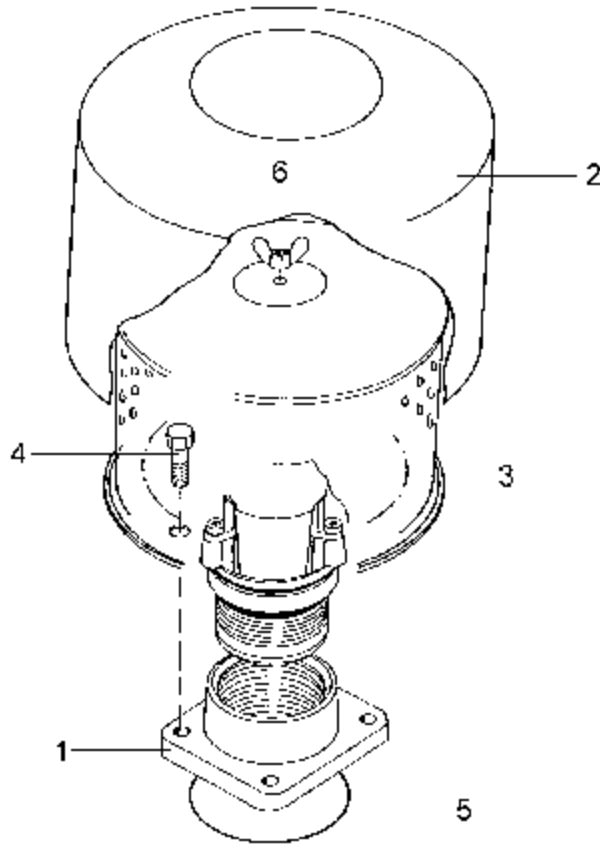


Order by Part Number and Description. Reference Numbers are for your convenience only.

**MINIMUM PRESSURE/CHECK VALVE**

<b>Ref. No.</b>	<b>Name of Part</b>	<b>Part No.</b>
	MINIMUM PRESSURE/CHECK VALVE ASSEMBLY .....	EFC03603078
	MINIMUM PRESSURE/CHECK VALVE SEAL KIT (Includes Reference Numbers 1-4) .....	EFC03389270
	MINIMUM PRESSURE/CHECK VALVE ASSEMBLY KIT (Includes Reference Numbers 1-4, 10, 15).....	EFC89555599
1	RING.....	
2	PISTON GASKET.....	
3	GASKET .....	
4	O-RING.....	
5	FRAME .....	
6	PISTON.....	
7	PLATE .....	
8	LOCK RING.....	
9	PLATE .....	
10	BEARING.....	
11	SCREW .....	
12	NUT.....	
13	CONNECTOR .....	
14	FILTER.....	
15	SPRING.....	

Order by Part Number and Description. Reference Numbers are for your convenience only.

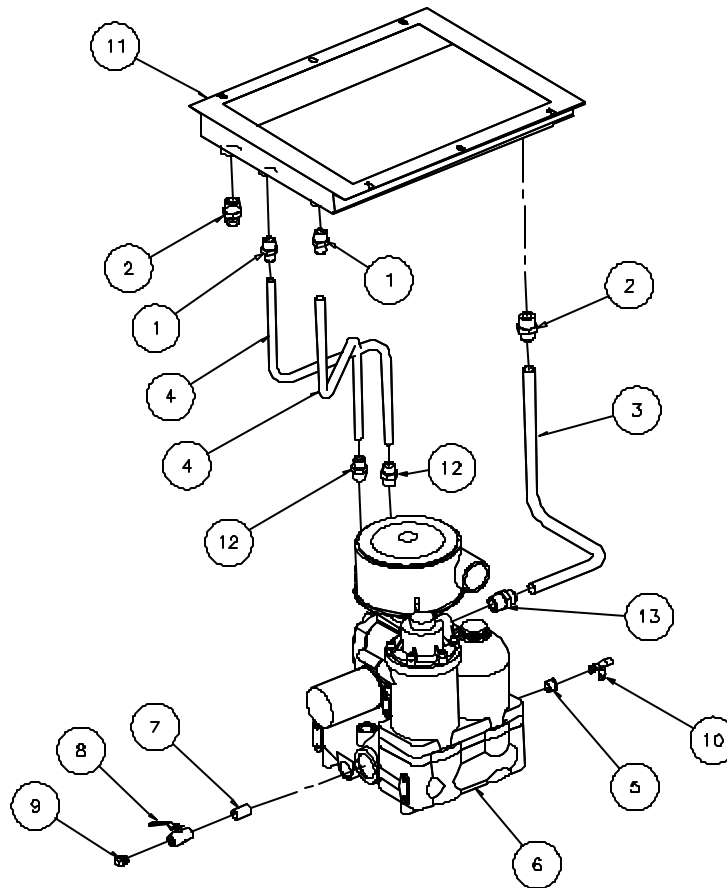


**AIR FILTER MOUNTING GROUP**

**B/M: 300EFC4017**

<b>Ref. No.</b>	<b>Name of Part</b>	<b>Qty.</b>	<b>Part No.</b>
1	FLANGE, INLET FILTER.....	1	EFC22337908
2	FILTER HOUSING.....	1	EFC37708348
3	AIR FILTER ELEMENT.....	1	2117910
4	SCREW.....	4	EFC80046049
5	O-RING.....	1	EFC89552979
6	WING NUT.....	1	EFC80220059

Order by Part Number and Description. Reference Numbers are for your convenience only.



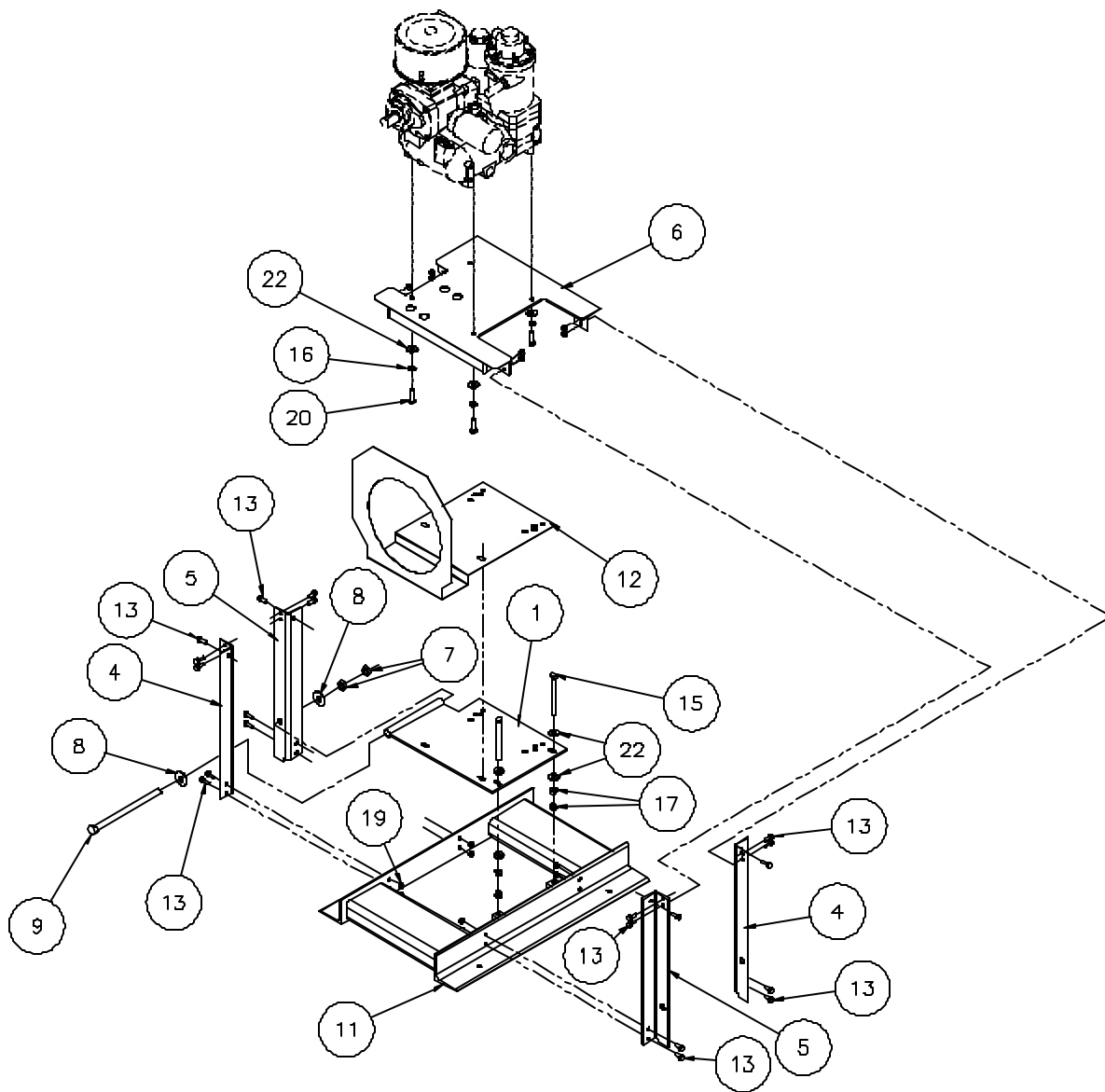
302EFC810-E  
(Ref. Drawing)

**PIPING GROUP**

**B/M: 302EFC4019**

Ref. No.	Name of Part	Qty.	Part No.
1	TUBE CONNECTOR.....	2	86H137
2	TUBE CONNECTOR.....	2	86H138
3	HOSE.....	1	304EFC127
4	HOSE.....	2	302EFC127
5	PIPE BUSHING .....	1	64E2G
6	AIREND.....	1	301EFC1095
7	NIPPLE .....	1	86H154
8	BALL VALVE .....	1	90AR360
9	PLUG .....	1	64AA7
10	OIL SAMPLING VALVE.....	1	86N345
11	COOLER-OIL/AIR-RADIATOR.....	1	300EFC201
12	TUBE CONNECTOR.....	2	86H149
13	TUBE CONNECTOR.....	1	86H150

# BASE AND MOUNTING GROUP



300EFC810-C  
(Ref. Drawing)

Order by Part Number and Description. Reference Numbers are for your convenience only.

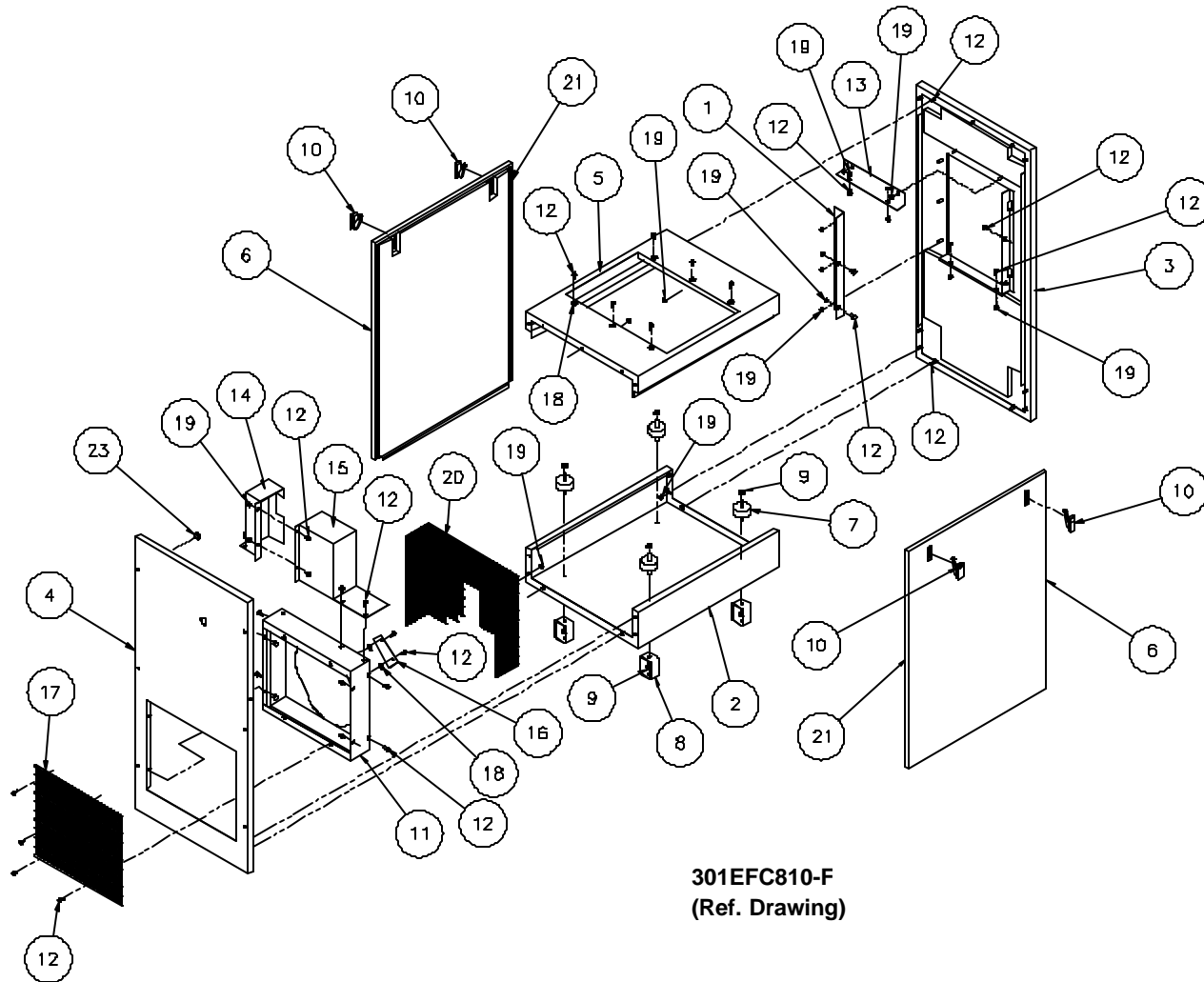
**BASE AND MOUNTING GROUP**

**B/M: 300EFC4013  
301EFC4017**

<b>Ref. No.</b>	<b>Name of Part</b>	<b>Qty.</b>	<b>Part No.</b>
1	SUPPORT.....	1	301EFC165
4	LEG.....	2	302EFC1263
5	LEG.....	2	303EFC1263
6	PEDESTAL.....	1	301EFC1296
7	NUT.....	2	50B8
8	WASHER.....	2	95A8
9	SCREW.....	1	655EG480
11	BASE.....	1	301EFC285
12	ORIFICE.....	1	301EFC814
13	SCREW.....	20	75K48
15	SCREW.....	2	75AA101
16	LOCKWASHER.....	4	95B5
17	NUT.....	4	50AW35
19	NUT.....	20	50AW5
20	SCREW (METRIC).....	4	665HMCA120300
22	WASHER.....	8	95A5



# ENCLOSURE GROUP



301EFC810-F  
(Ref. Drawing)

Order by Part Number and Description. Reference Numbers are for your convenience only.

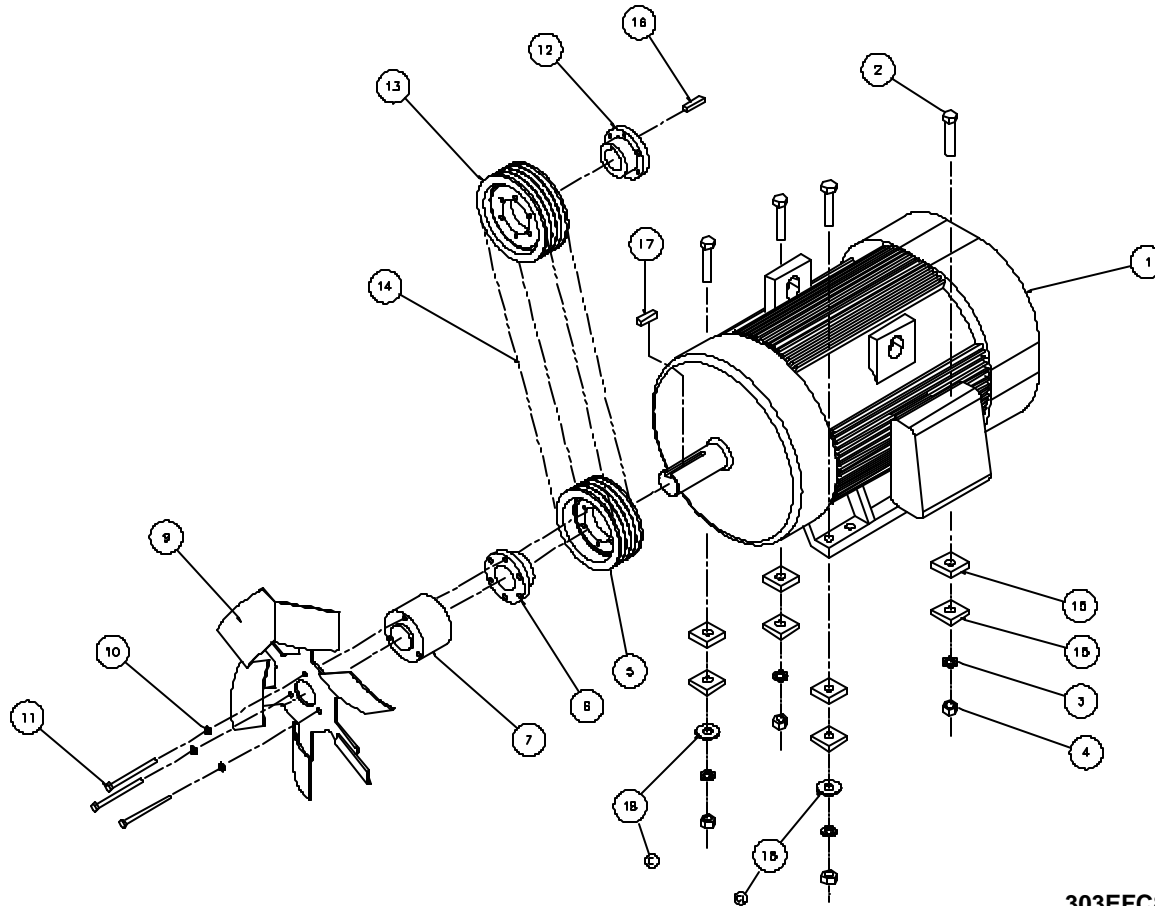
ENCLOSURE GROUP

B/M: 300EFC4023  
301EFC4013

Ref. No.	Name of Part	Qty.	Part No.	Ref. No.	Name of Part	Qty.	Part No.
1	BRACKET.....	1	303EFC142	13	BRACKET.....	1	304EFC142
2	FRAME (BASE).....	1	300EFC314	14	COVER.....	1	300EFC225
3	FRAME.....	1	304EFC314	15	COVER.....	1	301EFC225
4	FRAME.....	1	302EFC314	16	BRACKET (FORMED) .....	1	308EVE142
5	FRAME.....	1	303EFC314	17	GUARD-AUXILIARY .....	1	300EFC240
6	PANEL .....	2	300EFC216	18	WASHER.....	8	95A3
7	VIBRATION ISOLATOR.....	4	49C104	19	NUT.....	31	50AW5
8	FOOT (SING & PLUR).....	4	300EVE166	20	GUARD FAN.....	1	300EFC393
9	NUT.....	8	50AW35	21	SEAL.....	24	32E12
10	LATCH .....	4	31D51	* 22	PLUG .....	2	24A415
11	BAFFLE.....	1	300EFC840	23	PLUG .....	6	24A60
12	SCREW.....	55	75LM51				

\* Not shown

DRIVE GROUPS – 20 HP



303EFC810-C  
(Ref. Drawing)

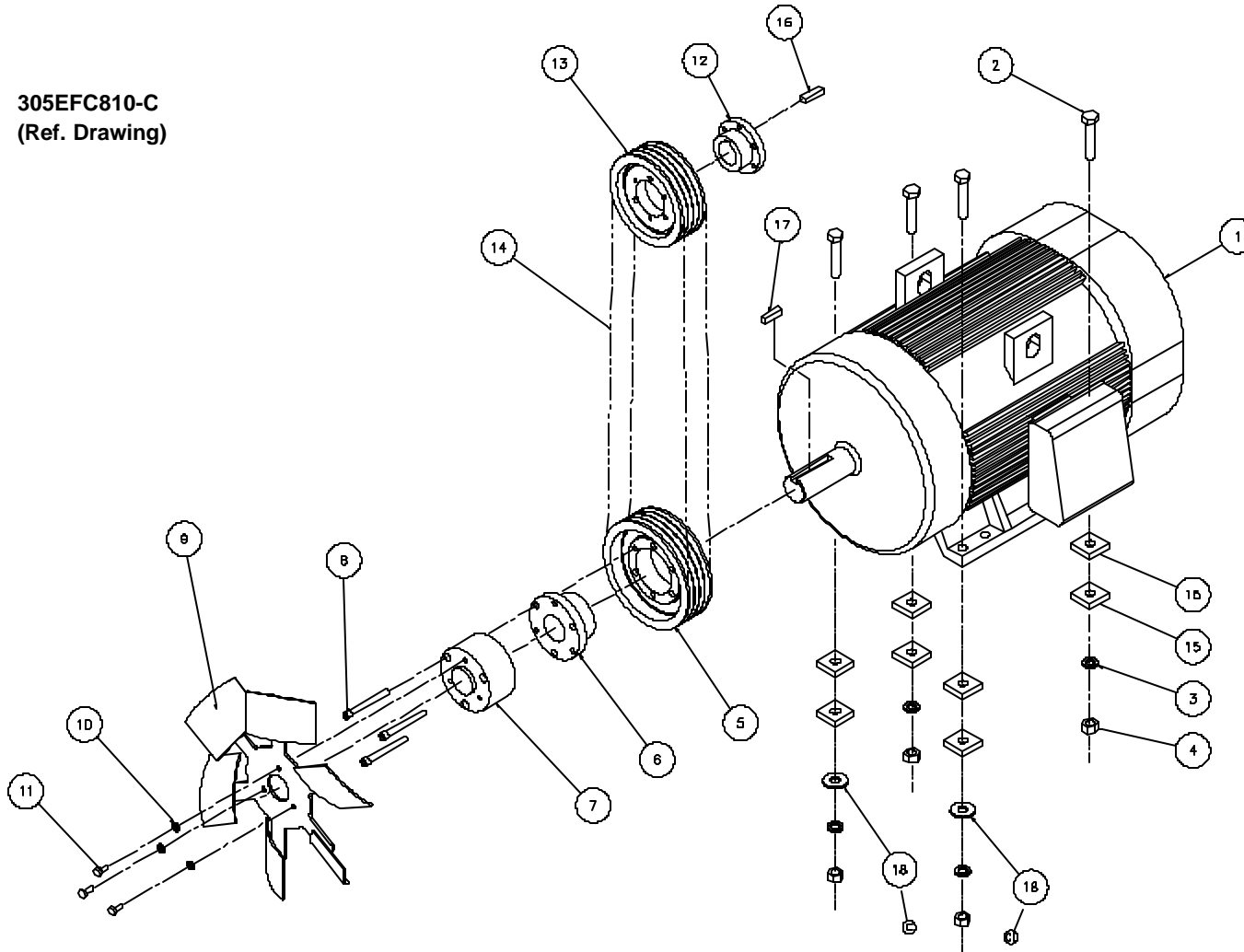
Order by Part Number and Description. Reference Numbers are for your convenience only.

DRIVE GROUPS – 20HP

Ref. No.	Name of Part	Qty.	100 PSIG 321EFC4004 Part No.	125 PSIG 322EFC4004 Part No.	150 PSIG 323EFC4004 Part No.	175 PSIG 324EFC4004 Part No.
1	MOTOR.....	1	SELECTIVE – SEE PAGES 39 & 40			
2	SCREW.....	4	655EE100	655EE100	655EE100	655EE100
3	LOCKWASHER.....	4	95B5	95B5	95B5	95B5
4	NUT.....	4	50B5	50B5	50B5	50B5
5	SHEAVE.....	1	73M43V52	73M43V52	73M43V52	73M43V52
6	BUSHING-SHEAVE.....	1	22F26SDS	22F26SDS	22F26SDS	22F26SDS
7	SPACER.....	1	300EFC144	300EFC144	300EFC144	300EFC144
9	FAN 20-30 HP.....	1	300EFC701	300EFC701	300EFC701	300EFC701
10	LOCKWASHER.....	3	95B1	95B1	95B1	95B1
11	SCREW.....	3	655EC150	655EC150	655EC150	655EC150
12	BUSHING-HUB.....	1	22J4	22J6	22J6	22J6
13	SHEAVE.....	1	73M43V41	73M43V45	73M43V50	73M43V56
14	BELT SET 4 PC.....	1	13W5604	13W5604	13W5604	13W5604
15	SPACER.....	8	302EFC144	302EFC144	302EFC144	302EFC144
16	KEY.....	1	35L74	35L74	35L74	35L74
17	KEY.....	1	35C179	35C179	35C179	35C179
18	WASHER.....	2	95A5	95A5	95A5	95A5

DRIVE GROUPS – 25 HP – 256T ODP

305EFC810-C  
(Ref. Drawing)



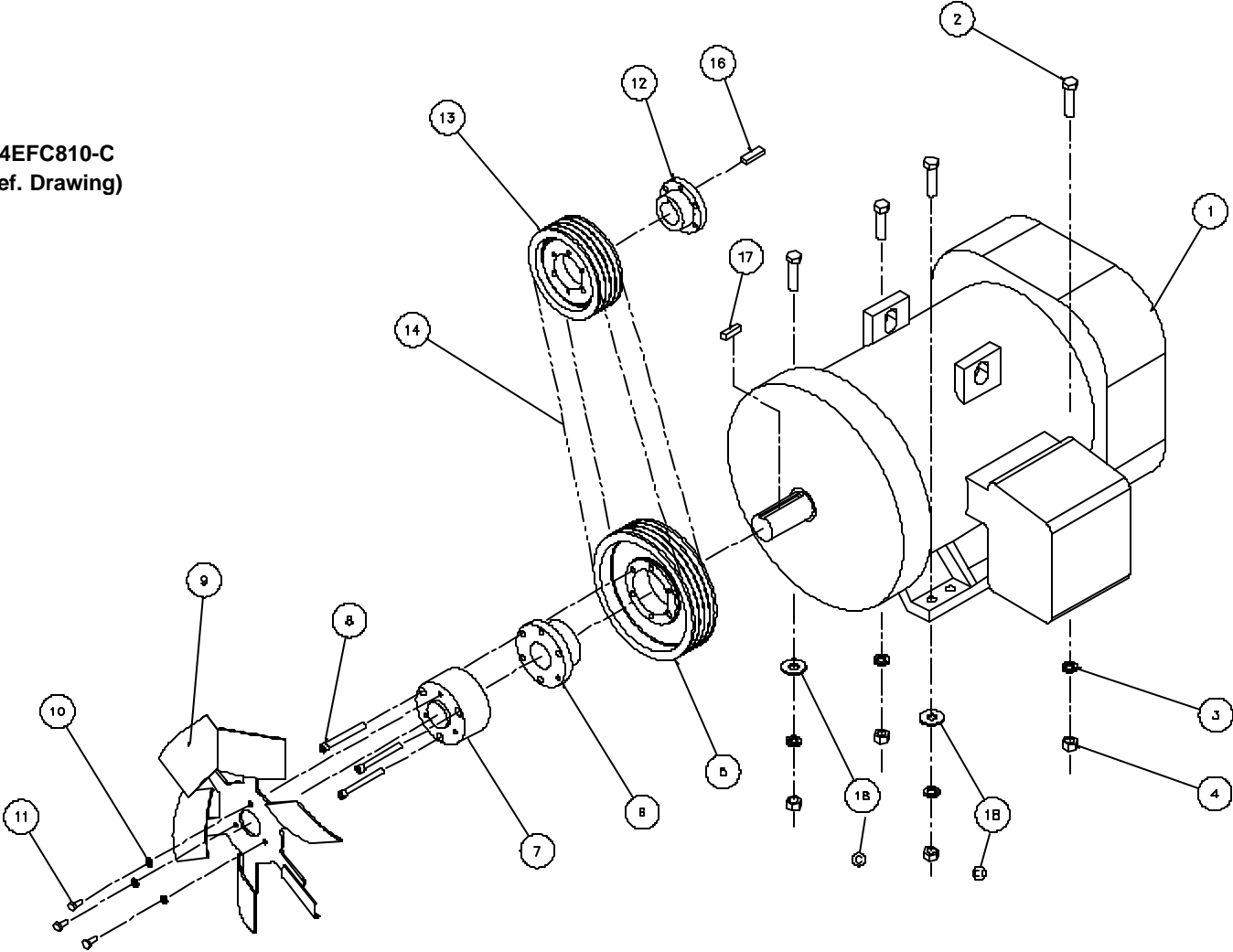
Order by Part Number and Description. Reference Numbers are for your convenience only.

DRIVE GROUPS – 25 HP – 256T ODP

Ref. No.	Name of Part	Qty.	100 PSIG 329EFC4004 Part No.	125 PSIG 330EFC4004 Part No.	150 PSIG 331EFC4004 Part No.	175 PSIG 332EFC4004 Part No.
1	MOTOR.....	1	SELECTIVE – SEE PAGES 39 & 40			
2	SCREW.....	4	655EE100	655EE100	655EE100	655EE100
3	LOCKWASHER.....	4	95B5	95B5	95B5	95B5
4	NUT.....	4	50B5	50B5	50B5	50B5
5	SHEAVE.....	1	73M43V66	73M43V66	73M43V66	73M43V66
6	BUSHING-SHEAVE.....	1	22F26SK	22F26SK	22F26SK	22F26SK
7	SPACER.....	1	301EFC144	301EFC144	301EFC144	301EFC144
8	SCREW.....	3	75P48	75P48	75P48	75P48
9	FAN 20-30 HP.....	1	300EFC701	300EFC701	300EFC701	300EFC701
10	LOCKWASHER.....	3	95B1	95B1	95B1	95B1
11	SCREW.....	3	75A185	75A185	75A185	75A185
12	BUSHING-HUB.....	1	22J4	22J6	22J6	22J6
13	SHEAVE.....	1	73M43V41	73M43V45	73M43V50	73M43V56
14	BELT SET 4 PC.....	1	13W5604	13W5604	13W5604	13W6004
15	SPACER.....	8	302EFC144	302EFC144	302EFC144	302EFC144
16	KEY.....	1	35L74	35L74	35L74	35L74
17	KEY.....	1	35C179	35C179	35C179	35C179
18	WASHER.....	2	95A5	95A5	95A5	95A5

DRIVE GROUPS – 25 HP – 284T TEFC AND 30 HP

304EFC810-C  
(Ref. Drawing)



Order by Part Number and Description. Reference Numbers are for your convenience only.

**DRIVE GROUPS – 25 HP – 284T TEFC**

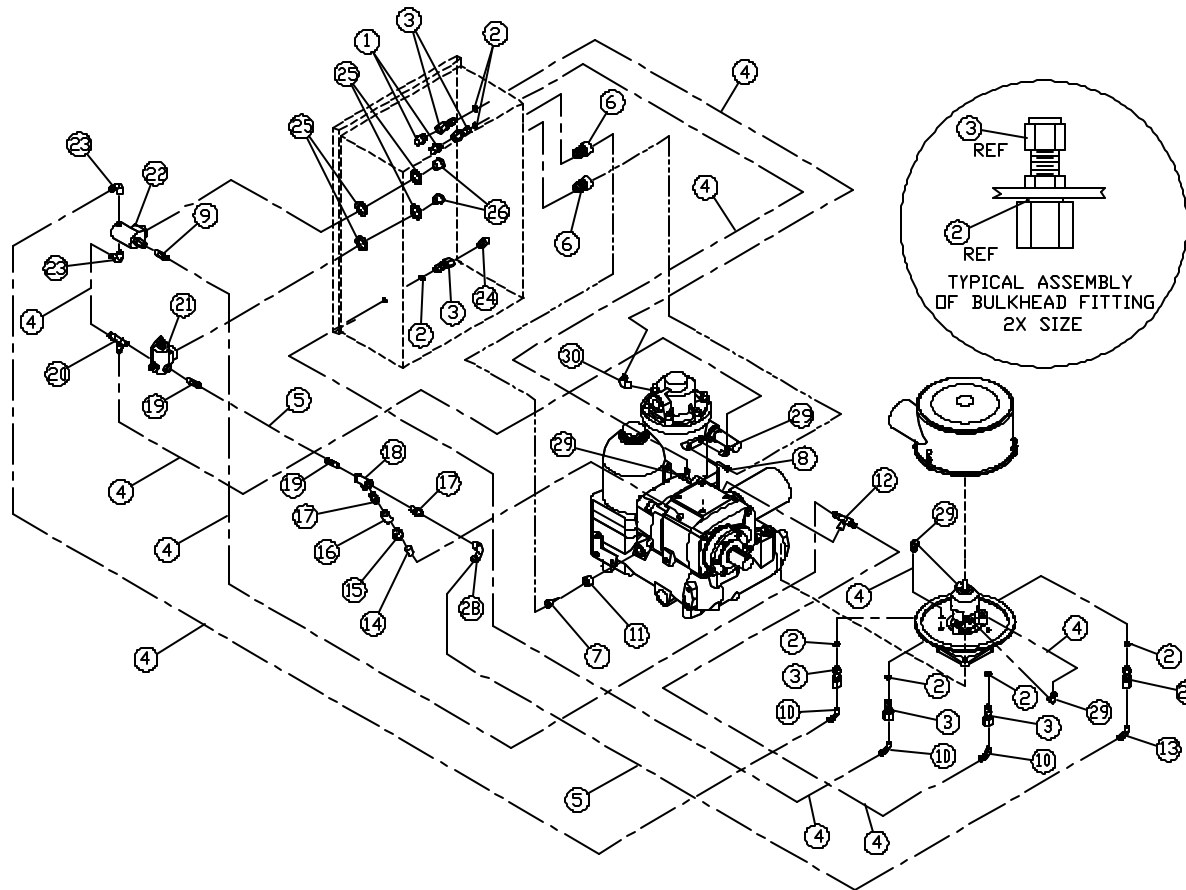
Ref. No.	Name of Part	Qty.	100 PSIG 325EFC4004 Part No.	125 PSIG 326EFC4004 Part No.	150 PSIG 327EFC4004 Part No.	175 PSIG 328EFC4004 Part No.
1	MOTOR.....	1	SELECTIVE – SEE PAGES 39 & 40			
2	SCREW.....	4	655EE080	655EE080	655EE080	655EE080
3	LOCKWASHER.....	4	95B5	95B5	95B5	95B5
4	NUT.....	4	50B5	50B5	50B5	50B5
5	SHEAVE.....	1	73M43V66	73M43V66	73M43V66	73M43V66
6	BUSHING-SHEAVE.....	1	22F26SK	22F26SK	22F26SK	22F26SK
7	SPACER.....	1	301EFC144	301EFC144	301EFC144	301EFC144
8	SCREW.....	3	75P48	75P48	75P48	75P48
9	FAN 20-30 HP.....	1	300EFC701	300EFC701	300EFC701	300EFC701
10	LOCKWASHER.....	3	95B1	95B1	95B1	95B1
11	SCREW.....	3	75A185	75A185	75A185	75A185
12	BUSHING-HUB.....	1	22J4	22J6	22J6	22J6
13	SHEAVE.....	1	73M43V41	73M43V45	73M43V50	73M43V56
14	BELT SET 4 PC.....	1	13W5604	13W5604	13W6004	13W6004
16	KEY.....	1	35L74	35L74	35L74	35L74
17	KEY.....	1	35C179	35C179	35C179	35C179
18	WASHER.....	2	95A5	95A5	95A5	95A5

**DRIVE GROUPS – 30 HP**

Ref. No.	Name of Part	Qty.	100 PSIG 333EFC4004 Part No.	125 PSIG 334EFC4004 Part No.	150 PSIG 335EFC4004 Part No.	175 PSIG 336EFC4004 Part No.
1	MOTOR.....	1	SELECTIVE – SEE PAGES 39 & 40			
2	SCREW.....	4	655EE080	655EE080	655EE080	655EE080
3	LOCKWASHER.....	4	95B5	95B5	95B5	95B5
4	NUT.....	4	50B5	50B5	50B5	50B5
5	SHEAVE.....	1	73M43V69	73M43V69	73M43V69	73M43V69
6	BUSHING-SHEAVE.....	1	22F26SK	22F26SK	22F26SK	22F26SK
7	SPACER.....	1	301EFC144	301EFC144	301EFC144	301EFC144
8	SCREW.....	3	75P48	75P48	75P48	75P48
9	FAN 20-30 HP.....	1	300EFC701	300EFC701	300EFC701	300EFC701
10	LOCKWASHER.....	3	95B1	95B1	95B1	95B1
11	SCREW.....	3	75A185	75A185	75A185	75A185
12	BUSHING-HUB.....	1	22J4	22J4	22J6	22J6
13	SHEAVE.....	1	73M43V36	73M43V41	73M43V45	73M43V47
14	BELT SET 4 PC.....	1	13W5604	13W5604	13W5604	13W6004
16	KEY.....	1	35L74	35L74	35L74	35L74
17	KEY.....	1	35L92	35L92	35L92	35L92
18	WASHER.....	2	95A5	95A5	95A5	95A5



# CONTROL PIPING



318EFC810-E  
(Ref. Drawing)

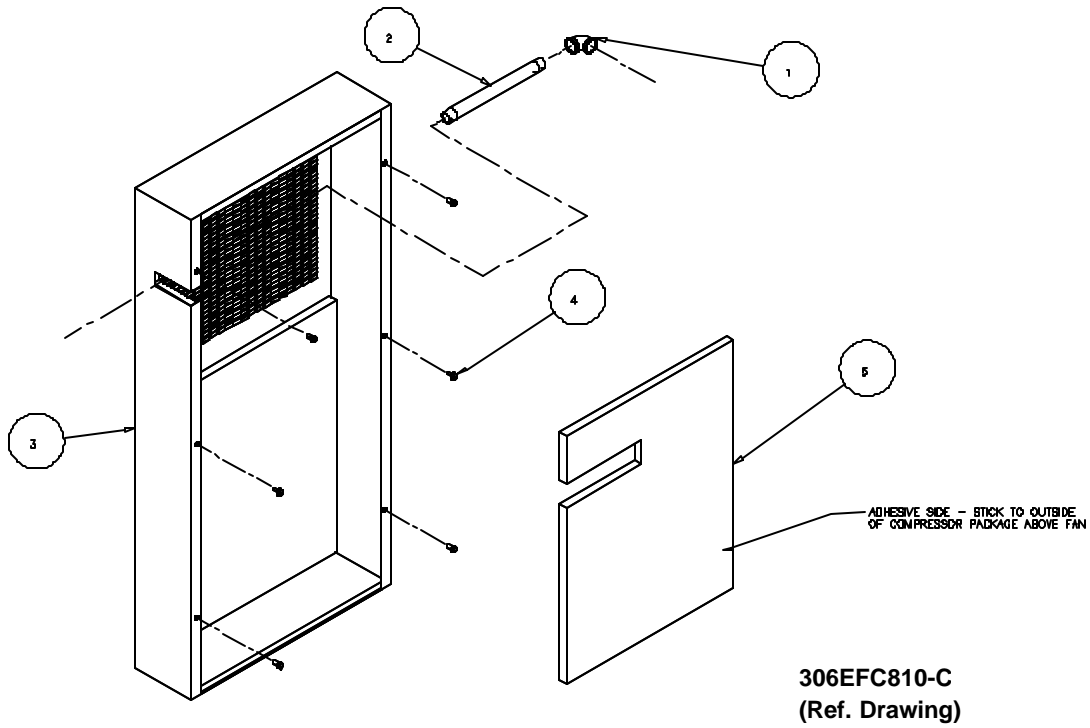
Order by Part Number and Description. Reference Numbers are for your convenience only.

CONTROL PIPING

B/M: 302EFC4002

Ref. No.	Name of Part	Qty.	Part No.	Ref. No.	Name of Part	Qty.	Part No.
1	TRANSDUCER-PRESSURE ....	2	88H359	16	COUPLING.....	1	64BK2G
2	O-RING.....	7	165011	17	VALVE-CHECK.....	2	90AR261
3	CONNECTOR-TUBE .....	6	86N287	18	TEE-PIPE .....	1	64G3G
4	TUBE.....	15 FT	85G3	19	CONNECTOR-TUBE.....	2	86E9
5	TUBE.....	3 FT	85G5	20	TEE-TUBE BRASS.....	1	2009284
6	FITTING-ELECTRICAL.....	2	24CA2865	21	VALVE-SOLENOID .....	1	91B70
7	PROBE-ELECTRICAL .....	1	21D264	22	VALVE SOLENOID .....	1	91B223
8	THERMISTOR PROBE.....	1	21D343	23	ELBOW .....	2	86E60
9	CONNECTOR.....	1	86E4	24	SWITCH-VACUUM.....	1	88H195
10	ELBOW .....	3	86E59	25	O-RING .....	4	24A383
11	BUSHING-ADAPTOR.....	1	86H155	26	NIPPLE .....	2	24CA4641
12	TUBE WITH FITTINGS .....	1	86H165	27	CONNECTOR-FEMALE .....	1	86N316
13	ELBOW .....	1	86E64	28	ELBOW .....	1	86E82
14	NIPPLE.....	1	63C1G	29	TUBE WITH FITTINGS.....	4	86H163
15	BUSHING-PIPE.....	1	64E44	30	TUBE WITH FITTINGS.....	1	86H167

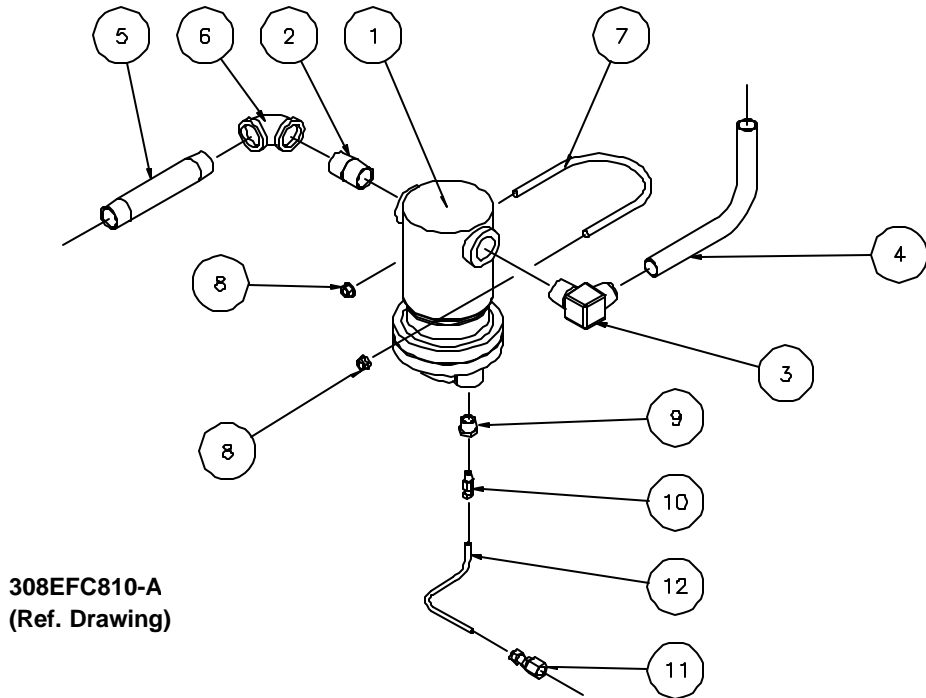
Order by Part Number and Description. Reference Numbers are for your convenience only.



**QUIET BAFFLE**

Ref. No.	Name of Part	Qty.	B/M: 301EFC4023 Part No.
1	ELBOW .....	1	64C6
2	NIPPLE .....	1	63N16X140G
3	BAFFLE .....	1	302EFC840
4	SCREW.....	6	75LM51
5	INSULATION.....	1	300EFC470

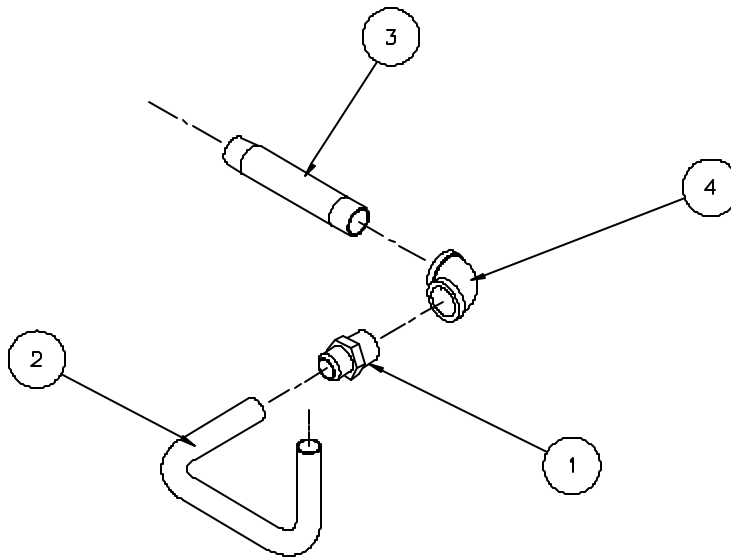
Order by Part Number and Description. Reference Numbers are for your convenience only.



**MOISTURE SEPARATOR**

Ref. No.	Name of Part	Qty.	B/M: 302EFC4023 Part No.
1	TRAP .....	1	83C78
2	NIPPLE .....	1	63H2G
3	ADAPTOR .....	1	29Z244
4	TUBE WITH FITTINGS.....	1	303EFC863
5	NIPPLE .....	1	63H6G
6	ELBOW .....	1	64C6
7	U-BOLT.....	1	15U83
8	NUT .....	2	50AW5
9	BUSHING-PIPE .....	1	64E2G
10	CONNECTOR.....	1	86E4
11	CONNECTOR-FEMALE .....	1	86N343
12	TUBE .....	1 FT.	85G3

Order by Part Number and Description. Reference Numbers are for your convenience only.

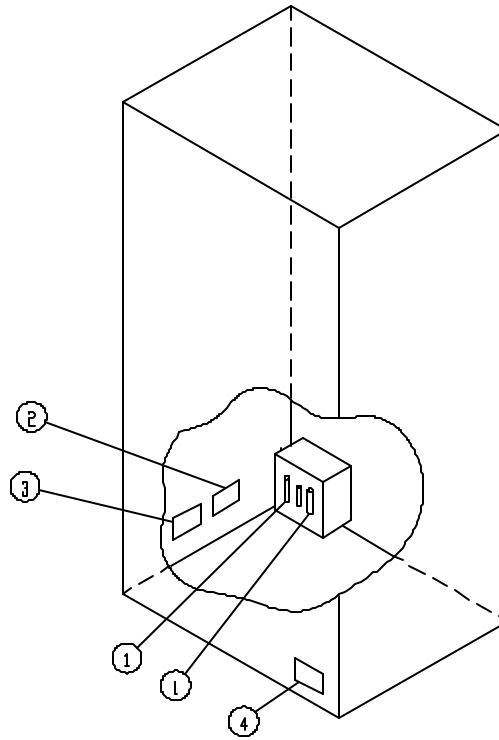


307EFC810-A  
(Ref. Drawing)

**DISCHARGE PIPING GROUP**

Ref. No.	Name of Part	Qty.	B/M: 303EFC4019 Part No.
1	CONNECTOR-TUBE.....	1	86H138
2	TUBE WITH FITTINGS.....	1	304EFC863
3	NIPPLE .....	1	63H6G
4	ELBOW .....	1	64C6

Order by Part Number and Description. Reference Numbers are for your convenience only.



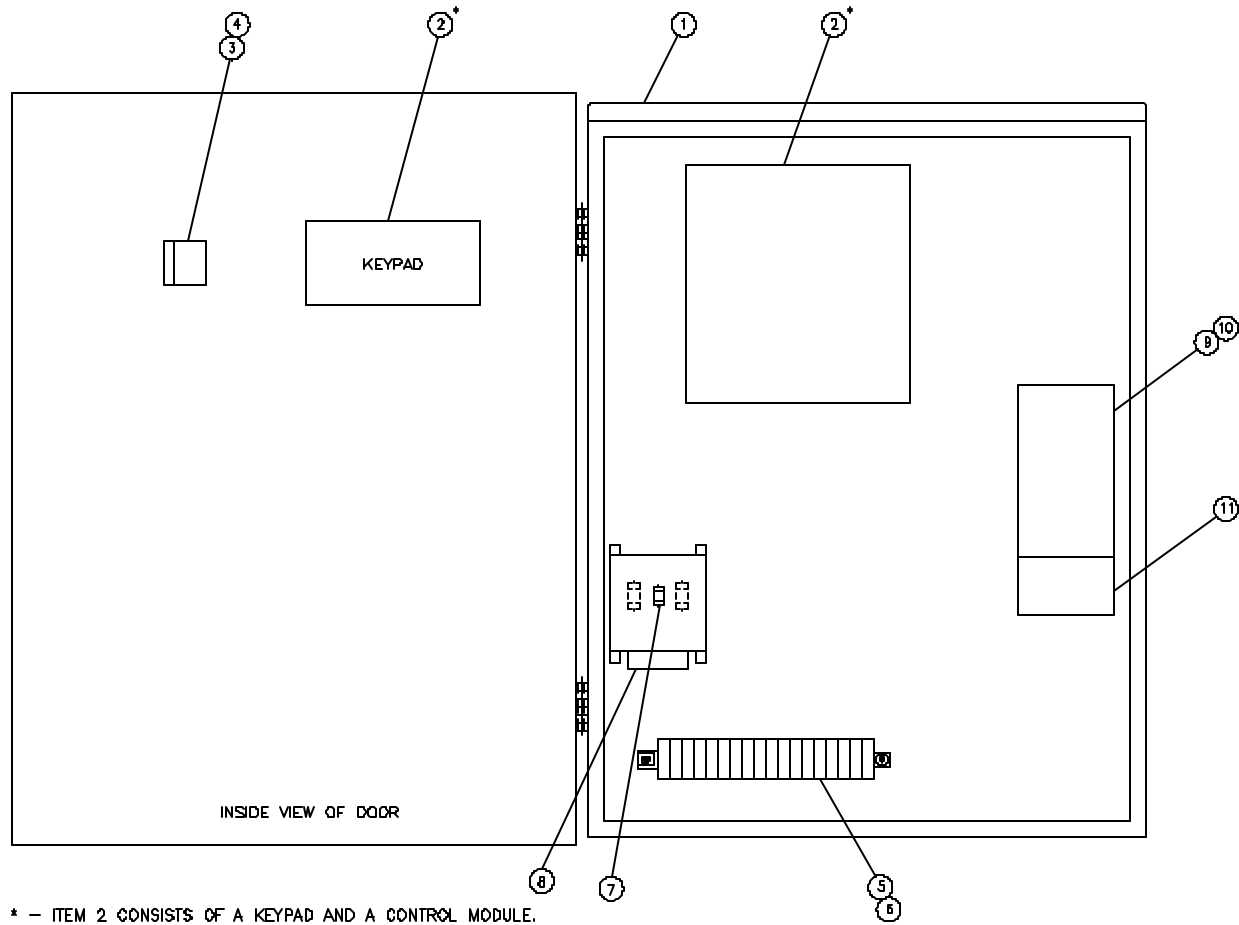
315EFC810-A  
(Ref. Drawing)

**DECAL & FUSE GROUP**

Ref. No.	Name of Part	Qty.	B/M: 318EFC4007    B/M: 319EFC4007    B/M: 320EFC4007    B/M: 321EFC4007			
			200V	230V	460V	575V
1	FUSE.....	2	24CA2786	24CA2785	24CA2782	24CA2781
2	DECAL.....	1	265AUX077	264AUX077	261AUX077	260AUX077
3	DECAL.....	1	297AUX077	297AUX077	297AUX077	297AUX077
4	MARKER-VOLTAGE ...	1	69F50	69F51	69F52	69F60

Order by Part Number and Description. Reference Numbers are for your convenience only.

**CONTROLLER ASSEMBLY – FULL VOLTAGE STARTER – 20 HP, 25 HP AND 30 HP**



**CONTROLLER ASSEMBLY – FULL VOLTAGE STARTER – 20 HP**

		<b>QTY.</b>	<b>200V</b>	<b>230V</b>	<b>460V</b>	<b>575V</b>
	NEMA 12 CONTROL BOX (RS2000).....		303EFC466	309EFC466	307EFC466	313EFC466
	NEMA 4 CONTROL BOX (RS2000).....		304EFC466	310EFC466	308EFC466	314EFC466
	NEMA 12 CONTROL BOX (AIRPILOT+).....		331EFC466	337EFC466	335EFC466	341EFC466
	NEMA 4 CONTROL BOX (AIRPILOT+) .....		332EFC466	338EFC466	336EFC466	342EFC466
1	CONTROL/STARTER BOX (NEMA 12).....	1	300EFC179	300EFC179	300EFC179	300EFC179
	CONTROL/STARTER BOX (NEMA 4).....	1	301EFC179	301EFC179	301EFC179	301EFC179
2	CONTROLLER ASSEMBLY (RS2000) .....	(See Pages 37 & 38)				
	CONTROLLER ASSEMBLY (AIRPILOT+) .....	(See Pages 37 & 38)				
3	OPERATOR.....	1	24CA2907	24CA2907	24CA2907	24CA2907
4	CONTACT BLOCK.....	1	24CA2908	24CA2908	24CA2908	24CA2908
5	BLOCK-TERMINAL CONTACT.....	6	24CA2551	24CA2551	24CA2551	24CA2551
6	BLOCK-TERMINAL END.....	1	24CA2552	24CA2552	24CA2552	24CA2552
7	FUSE .....	1	24CA3725	24CA3725	24CA3725	24CA3725
8	TRANSFORMER.....	1	24CA5182	24CA5181	24CA5181	24CA5183
9	CONTACTOR .....	1	24CA3258	24CA3258	24CA2609	24CA2609
10	COIL .....	1	2116124	2116124	2116923	2116923
11	RELAY .....	1	24CA4087	24CA4087	24CA4086	24CA4086

For Drawing, see page 27.



**CONTROLLER ASSEMBLY – FULL VOLTAGE STARTER – 25 HP**

		<b>QTY.</b>	<b>200V</b>	<b>230V</b>	<b>460V</b>	<b>575V</b>
	NEMA 12 CONTROL BOX (RS2000).....		305EFC466	309EFC466	309EFC466	313EFC466
	NEMA 4 CONTROL BOX (RS2000).....		306EFC466	310EFC466	310EFC466	314EFC466
	NEMA 12 CONTROL BOX (AIRPILOT+).....		333EFC466	337EFC466	337EFC466	341EFC466
	NEMA 4 CONTROL BOX (AIRPILOT+) .....		334EFC466	338EFC466	338EFC466	342EFC466
1	CONTROL/STARTER BOX (NEMA 12).....	1	300EFC179	300EFC179	300EFC179	300EFC179
	CONTROL/STARTER BOX (NEMA 4).....	1	301EFC179	301EFC179	301EFC179	301EFC179
2	CONTROLLER ASSEMBLY (RS2000) .....	(See Pages 37 & 38)				
	CONTROLLER ASSEMBLY (AIRPILOT+) .....	(See Pages 37 & 38)				
3	OPERATOR.....	1	24CA2907	24CA2907	24CA2907	24CA2907
4	CONTACT BLOCK.....	1	24CA2908	24CA2908	24CA2908	24CA2908
5	BLOCK-TERMINAL CONTACT.....	6	24CA2551	24CA2551	24CA2551	24CA2551
6	BLOCK-TERMINAL END.....	1	24CA2552	24CA2552	24CA2552	24CA2552
7	FUSE .....	1	24CA3725	24CA3725	24CA3725	24CA3725
8	TRANSFORMER.....	1	24CA5182	24CA5181	24CA5181	24CA5183
9	CONTACTOR .....	1	24CA3259	24CA3258	24CA3258	24CA2609
10	COIL .....	1	2116555	2116124	2116124	2116923
11	RELAY .....	1	24CA2905	24CA4087	24CA4087	24CA4086

For Drawing, see page 27.

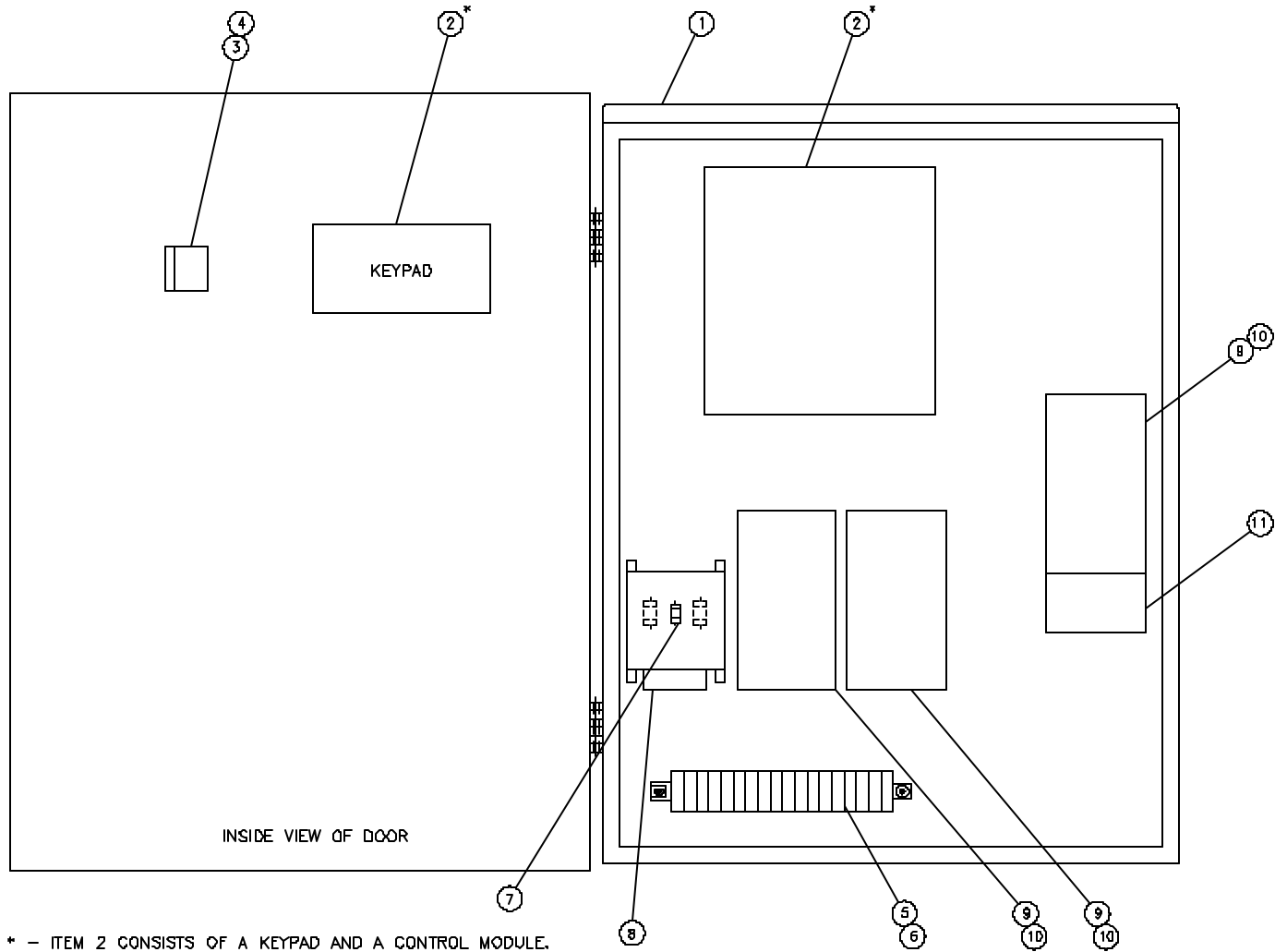
**CONTROLLER ASSEMBLY – FULL VOLTAGE STARTER – 30 HP**

		<b>QTY.</b>	<b>200V</b>	<b>230V</b>	<b>460V</b>	<b>575V</b>
	NEMA 12 CONTROL BOX (RS2000).....		305EFC466	311EFC466	309EFC466	315EFC466
	NEMA 4 CONTROL BOX (RS2000).....		306EFC466	312EFC466	310EFC466	316EFC466
	NEMA 12 CONTROL BOX (AIRPILOT+).....		333EFC466	339EFC466	337EFC466	343EFC466
	NEMA 4 CONTROL BOX (AIRPILOT+) .....		334EFC466	340EFC466	338EFC466	344EFC466
1	CONTROL/STARTER BOX (NEMA 12).....	1	300EFC179	300EFC179	300EFC179	300EFC179
	CONTROL/STARTER BOX (NEMA 4).....	1	301EFC179	301EFC179	301EFC179	301EFC179
2	CONTROLLER ASSEMBLY (RS2000) .....	(See Pages 37 & 38)				
	CONTROLLER ASSEMBLY (AIRPILOT+) .....	(See Pages 37 & 38)				
3	OPERATOR.....	1	24CA2907	24CA2907	24CA2907	24CA2907
4	CONTACT BLOCK.....	1	24CA2908	24CA2908	24CA2908	24CA2908
5	BLOCK-TERMINAL CONTACT.....	6	24CA2551	24CA2551	24CA2551	24CA2551
6	BLOCK-TERMINAL END.....	1	24CA2552	24CA2552	24CA2552	24CA2552
7	FUSE .....	1	24CA3725	24CA3725	24CA3725	24CA3725
8	TRANSFORMER.....	1	24CA5182	24CA5181	24CA5181	24CA5183
9	CONTACTOR .....	1	24CA3259	24CA3259	24CA3258	24CA3258
10	COIL .....	1	2116555	2116555	2116124	2116124
11	RELAY .....	1	24CA2905	24CA2905	24CA4087	24CA4087

For Drawing, see page 27.

Order by Part Number and Description. Reference Numbers are for your convenience only.

**CONTROLLER ASSEMBLY – WYE DELTA STARTER – 20HP, 25 HP AND 30 HP**



**CONTROLLER ASSEMBLY – WYE DELTA STARTER – 20 HP**

		<b>QTY.</b>	<b>200V</b>	<b>230V</b>	<b>460V</b>	<b>575V</b>
	NEMA 12 CONTROL BOX (RS2000).....		317EFC466	321EFC466	319EFC466	323EFC466
	NEMA 4 CONTROL BOX (RS2000).....		318EFC466	322EFC466	320EFC466	324EFC466
	NEMA 12 CONTROL BOX (AIRPILOT+).....		345EFC466	349EFC466	347EFC466	351EFC466
	NEMA 4 CONTROL BOX (AIRPILOT+) .....		346EFC466	350EFC466	348EFC466	352EFC466
1	CONTROL/STARTER BOX (NEMA 12).....	1	300EFC179	300EFC179	300EFC179	300EFC179
	CONTROL/STARTER BOX (NEMA 4).....	1	301EFC179	301EFC179	301EFC179	301EFC179
2	CONTROLLER ASSEMBLY (RS2000) .....	(See Pages 37 & 38)				
	CONTROLLER ASSEMBLY (AIRPILOT+) .....	(See Pages 37 & 38)				
3	OPERATOR.....	1	24CA2907	24CA2907	24CA2907	24CA2907
4	CONTACT BLOCK.....	1	24CA2908	24CA2908	24CA2908	24CA2908
5	BLOCK-TERMINAL CONTACT.....	6	24CA2551	24CA2551	24CA2551	24CA2551
6	BLOCK-TERMINAL END.....	1	24CA2552	24CA2552	24CA2552	24CA2552
7	FUSE .....	1	24CA3725	24CA3725	24CA3725	24CA3725
8	TRANSFORMER.....	1	24CA5182	24CA5181	24CA5181	24CA5183
9	CONTACTOR .....	3	24CA3258	24CA3258	24CA2609	24CA2609
10	COIL .....	3	2116124	2116124	2116923	2116923
11	RELAY .....	1	24CA4087	24CA4087	24CA4086	24CA4086

For Drawing, see page 31.

**CONTROLLER ASSEMBLY – WYE DELTA STARTER – 25 HP**

		<b>QTY.</b>	<b>200V</b>	<b>230V</b>	<b>460V</b>	<b>575V</b>
	NEMA 12 CONTROL BOX (RS2000).....		317EFC466	321EFC466	319EFC466	323EFC466
	NEMA 4 CONTROL BOX (RS2000).....		318EFC466	322EFC466	320EFC466	324EFC466
	NEMA 12 CONTROL BOX (AIRPILOT+).....		345EFC466	349EFC466	347EFC466	351EFC466
	NEMA 4 CONTROL BOX (AIRPILOT+) .....		346EFC466	350EFC466	348EFC466	352EFC466
1	CONTROL/STARTER BOX (NEMA 12).....	1	300EFC179	300EFC179	300EFC179	300EFC179
	CONTROL/STARTER BOX (NEMA 4).....	1	301EFC179	301EFC179	301EFC179	301EFC179
2	CONTROLLER ASSEMBLY (RS2000) .....	(See Pages 37 & 38)				
	CONTROLLER ASSEMBLY (AIRPILOT+) .....	(See Pages 37 & 38)				
3	OPERATOR.....	1	24CA2907	24CA2907	24CA2907	24CA2907
4	CONTACT BLOCK.....	1	24CA2908	24CA2908	24CA2908	24CA2908
5	BLOCK-TERMINAL CONTACT.....	6	24CA2551	24CA2551	24CA2551	24CA2551
6	BLOCK-TERMINAL END.....	1	24CA2552	24CA2552	24CA2552	24CA2552
7	FUSE .....	1	24CA3725	24CA3725	24CA3725	24CA3725
8	TRANSFORMER.....	1	24CA5182	24CA5181	24CA5181	24CA5183
9	CONTACTOR .....	3	24CA3258	24CA3258	24CA2609	24CA2609
10	COIL .....	3	2116124	2116124	2116923	2116923
11	RELAY .....	1	24CA4087	24CA4087	24CA4086	24CA4086

For Drawing, see page 31.

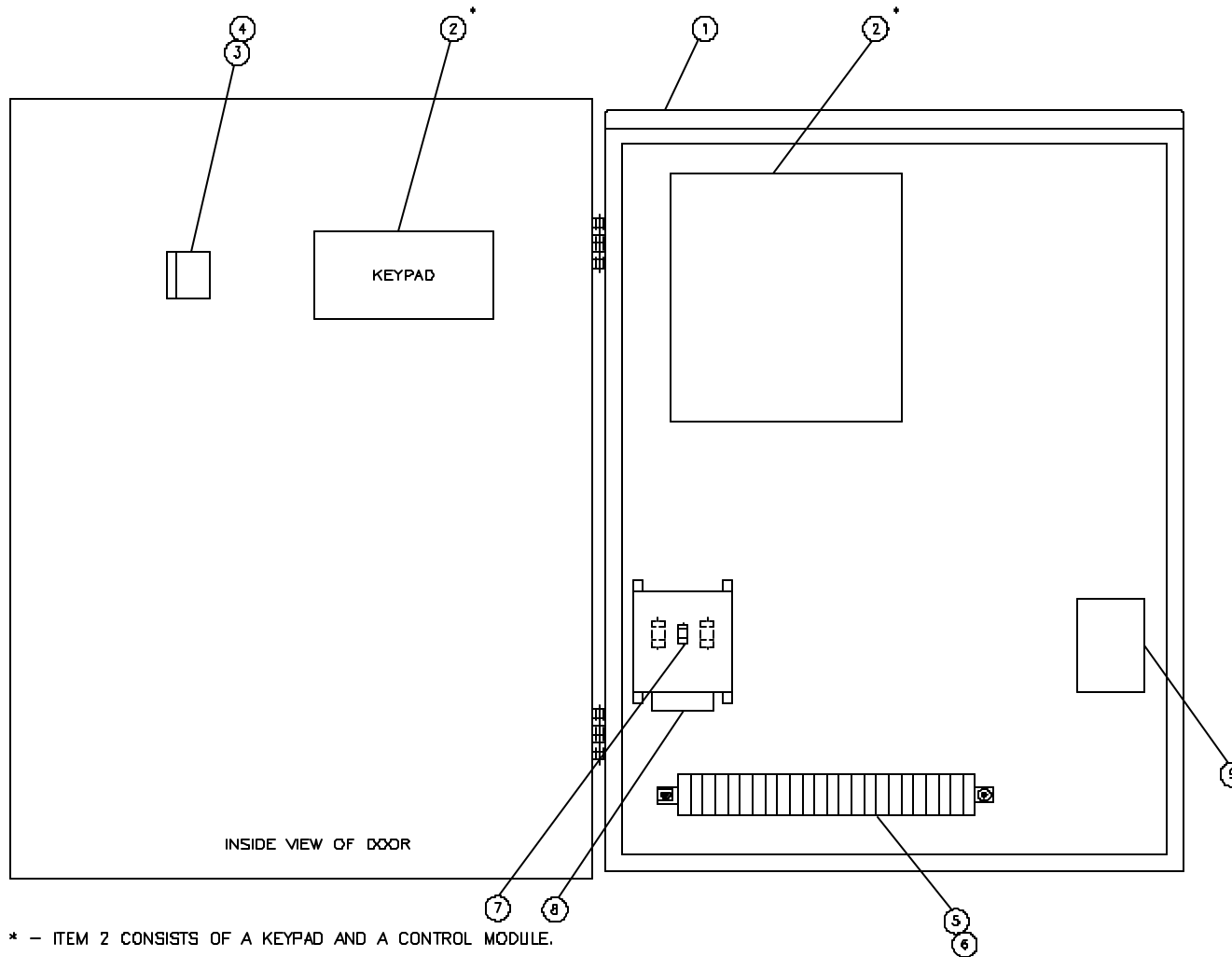
**CONTROLLER ASSEMBLY – WYE DELTA STARTER – 30 HP**

		<b>QTY.</b>	<b>200V</b>	<b>230V</b>	<b>460V</b>	<b>575V</b>
	NEMA 12 CONTROL BOX (RS2000).....		317EFC466	321EFC466	319EFC466	323EFC466
	NEMA 4 CONTROL BOX (RS2000).....		318EFC466	322EFC466	320EFC466	324EFC466
	NEMA 12 CONTROL BOX (AIRPILOT+).....		345EFC466	349EFC466	347EFC466	351EFC466
	NEMA 4 CONTROL BOX (AIRPILOT+) .....		346EFC466	350EFC466	348EFC466	352EFC466
1	CONTROL/STARTER BOX (NEMA 12).....	1	300EFC179	300EFC179	300EFC179	300EFC179
	CONTROL/STARTER BOX (NEMA 4).....	1	301EFC179	301EFC179	301EFC179	301EFC179
2	CONTROLLER ASSEMBLY (RS2000) .....	(See Pages 37 & 38)				
	CONTROLLER ASSEMBLY (AIRPILOT+) .....	(See Pages 37 & 38)				
3	OPERATOR.....	1	24CA2907	24CA2907	24CA2907	24CA2907
4	CONTACT BLOCK.....	1	24CA2908	24CA2908	24CA2908	24CA2908
5	BLOCK-TERMINAL CONTACT.....	6	24CA2551	24CA2551	24CA2551	24CA2551
6	BLOCK-TERMINAL END.....	1	24CA2552	24CA2552	24CA2552	24CA2552
7	FUSE .....	1	24CA3725	24CA3725	24CA3725	24CA3725
8	TRANSFORMER.....	1	24CA5182	24CA5181	24CA5181	24CA5183
9	CONTACTOR .....	3	24CA3258	24CA3258	24CA2609	24CA2609
10	COIL .....	3	2116124	2116124	2116923	2116923
11	RELAY .....	1	24CA4087	24CA4087	24CA4086	24CA4086

For Drawing, see page 31.

Order by Part Number and Description. Reference Numbers are for your convenience only.

**CONTROLLER ASSEMBLY – LESS MAIN MOTOR STARTER**



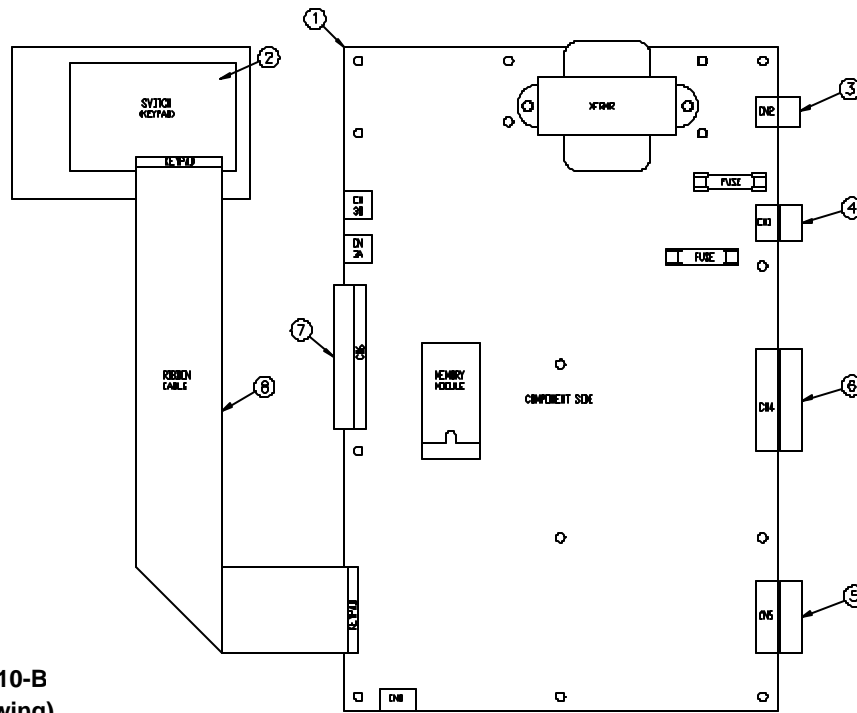
311EFC810-B  
(Ref. Drawing)

**CONTROLLER ASSEMBLY – LESS MAIN MOTOR STARTER**

	<b>QTY.</b>	<b>200V</b>	<b>230V</b>	<b>460V</b>	<b>575V</b>
NEMA 12 CONTROL BOX (RS2000).....		325EFC466	327EFC466	327EFC466	329EFC466
NEMA 4 CONTROL BOX (RS2000).....		326EFC466	328EFC466	328EFC466	330EFC466
NEMA 12 CONTROL BOX (AIRPILOT+).....		353EFC466	355EFC466	355EFC466	357EFC466
NEMA 4 CONTROL BOX (AIRPILOT+) .....		354EFC466	356EFC466	356EFC466	358EFC466
1 CONTROL/STARTER BOX (NEMA 12).....	1	300EFC179	300EFC179	300EFC179	300EFC179
CONTROL/STARTER BOX (NEMA 4).....	1	301EFC179	301EFC179	301EFC179	301EFC179
2 CONTROLLER ASSEMBLY (RS2000) .....	(See Pages 37 & 38)				
CONTROLLER ASSEMBLY (AIRPILOT+) .....	(See Pages 37 & 38)				
3 OPERATOR.....	1	24CA2907	24CA2907	24CA2907	24CA2907
4 CONTACT BLOCK.....	1	24CA2908	24CA2908	24CA2908	24CA2908
5 BLOCK-TERMINAL CONTACT.....	8	24CA2551	24CA2551	24CA2551	24CA2551
6 BLOCK-TERMINAL END.....	1	24CA2552	24CA2552	24CA2552	24CA2552
7 FUSE .....	1	24CA3725	24CA3725	24CA3725	24CA3725
8 TRANSFORMER.....	1	24CA5182	24CA5181	24CA5181	24CA5183
9 RELAY .....	1	24CA4711	24CA4711	24CA4711	24CA4711



Order by Part Number and Description. Reference Numbers are for your convenience only.

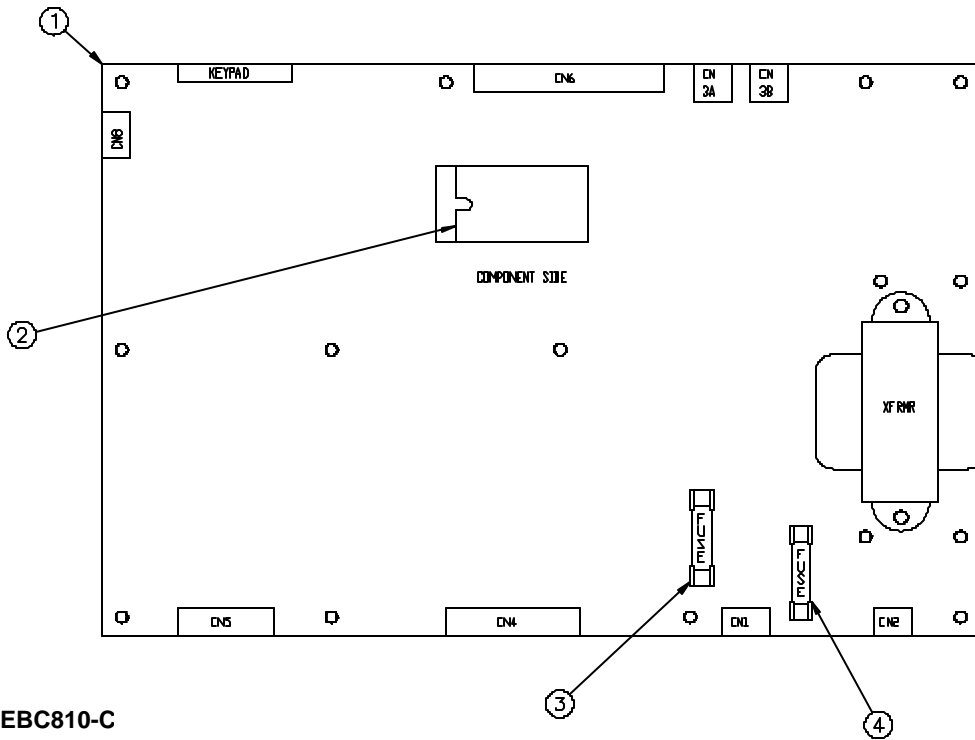


300EBC810-B  
(Ref. Drawing)

**CONTROLLER ASSEMBLY**

Ref. No.	Name of Part	Qty.	RS2000		AIRPILOT+	
			Part No.	Part No.	B/M: 300EBC2006	B/M: 300EFD2006
1	CONTROLLER ASSEMBLY – BOARD.....	1	300EBC560	300EBC560	300EFD560	300EFD560
2	SWITCH (KEYPAD) .....	1	300EVE375	300EVE375	300EVE375	300EVE375
3	PLUG-CONNECTOR .....	1	24CA4240	24CA4240	24CA4240	24CA4240
4	PLUG-CONNECTOR .....	1	24CA3401	24CA3401	24CA3401	24CA3401
5	PLUG-TERMINAL.....	1	24CA4823	24CA4823	24CA4823	24CA4823
6	PLUG-TERMINAL.....	1	24CA4999	24CA4999	24CA4999	24CA4999
7	PLUG-CONNECTOR .....	1	24CA3306	24CA3306	24CA3306	24CA3306
8	CABLE .....	1	24CA5178	24CA5178	24CA5178	24CA5178

Order by Part Number and Description. Reference Numbers are for your convenience only.



301EBC810-C  
(Ref. Drawing)

**CONTROLLER ASSEMBLY - BOARD**

Ref. No.	Name of Part	Qty.	RS2000 B/M: 300EBC560 Part No.	AIRPILOT+ B/M: 300EFD560 Part No.
1	CONTROLLER.....	1	*	*
2	MEMORY MODULE .....	1	300EBC566	300EFD566
3	FUSE.....	1	24CA2932	24CA2932
4	FUSE.....	1	24CA2932	24CA2932

\* Part Numbers not available for Repair.

**MAIN MOTOR  
(FULL VOLTAGE)**

<b>Name of Part</b>	<b>20 HP (3600 RPM) Part No.</b>	<b>25 HP (3600 RPM) Part No.</b>	<b>30 HP (3600 RPM) Part No.</b>
<b>OPEN DRIP PROOF STANDARD EFFICIENCY (60 HZ – ODP)</b>			
MOTOR, 200V	24CA4437	24CA4438	24CA5273
MOTOR, 230V	24CA5316	24CA5319	24CA5322
MOTOR, 460V	24CA5316	24CA5319	24CA5322
MOTOR, 575V	24CA4443	24CA4444	24CA5275
<b>TOTALLY ENCLOSED STANDARD EFFICIENCY (60 HZ – TEFC)</b>			
MOTOR, 200V	24CA4486	24CA5258	24CA5260
MOTOR, 230V	24CA4490	24CA5147	24CA5261
MOTOR, 460V	24CA4490	24CA5147	24CA5261
MOTOR, 575V	24CA4493	24CA5259	24CA5262
<b>OPEN DRIP PROOF HIGH EFFICIENCY (60 HZ – ODP, HI-EFF)</b>			
MOTOR, 200V	24CA4468	24CA4469	24CA5276
MOTOR, 230V	24CA4471	24CA4472	24CA5277
MOTOR, 460V	24CA4471	24CA4472	24CA5277
MOTOR, 575V	24CA4474	24CA4475	24CA5278
<b>TOTALLY ENCLOSED HIGH EFFICIENCY (60 HZ – TEFC, HI-EFF))</b>			
MOTOR, 200V	24CA4477	24CA5279	24CA5282
MOTOR, 230V	24CA4480	24CA5280	24CA5283
MOTOR, 460V	24CA4480	24CA5280	24CA5283
MOTOR, 575V	24CA4483	24CA5281	24CA5284

**MAIN MOTOR  
(WYE DELTA)**

<b>Name of Part</b>	<b>20 HP (3600 RPM) Part No.</b>	<b>25 HP (3600 RPM) Part No.</b>	<b>30 HP (3600 RPM) Part No.</b>
<b>OPEN DRIP PROOF STANDARD EFFICIENCY (60 HZ – ODP)</b>			
MOTOR, 200V	24CA5315	24CA5318	24CA5321
MOTOR, 230V	24CA5316	24CA5319	24CA5322
MOTOR, 460V	24CA5316	24CA5319	24CA5322
MOTOR, 575V	24CA5317	24CA5320	24CA5323
<b>TOTALLY ENCLOSED STANDARD EFFICIENCY (60 HZ – TEFC)</b>			
MOTOR, 200V	24CA5336	24CA5339	24CA5342
MOTOR, 230V	24CA5337	24CA5340	24CA5343
MOTOR, 460V	24CA5337	24CA5340	24CA5343
MOTOR, 575V	24CA5338	24CA5341	24CA5344
<b>OPEN DRIP PROOF HIGH EFFICIENCY (60 HZ – ODP, HI-EFF)</b>			
MOTOR, 200V	24CA5324	24CA5327	24CA5330
MOTOR, 230V	24CA5325	24CA5328	24CA5331
MOTOR, 460V	24CA5325	24CA5328	24CA5331
MOTOR, 575V	24CA5326	24CA5329	24CA5332
<b>TOTALLY ENCLOSED HIGH EFFICIENCY (60 HZ – TEFC, HI-EFF))</b>			
MOTOR, 200V	24CA5333	24CA5345	24CA5348
MOTOR, 230V	24CA5334	24CA5346	24CA5349
MOTOR, 460V	24CA5334	24CA5346	24CA5349
MOTOR, 575V	24CA5335	24CA5347	24CA5350

## OVERLOAD RELAY HEATER CONVERSION LISTING

Refer to Motor nameplate "Amperage" and Decal in  
Control Panel for Selection of Overload Relay Heater

<b>CUTLER-HAMMER PART NUMBER</b>	<b>GARDNER DENVER PART NUMBER5</b>
H2002B	24CA4101
H2003B	24CA4102
H2004B	24CA4103
H2005B	24CA4104
H2006B	24CA4105
H2007B	24CA4106
H2008B	24CA4107
H2009B	24CA4108
H2010B	24CA4109
H2011B	24CA4110
H2012B	24CA4111
H2013B	24CA4112
H2014B	24CA4113
H2015B	24CA4114
H2016B	24CA4115
H2017B	24CA4116
H2018	24CA2924
H2019	24CA2925
H2020	24CA2926
H2021	24CA2927
H2022	24CA2893
H2023	24CA2894
H2024	24CA2928

Order by Part Number and Description. Reference Numbers are for your convenience only.

**GROUP IDENTIFICATION AND INSTRUCTION**

**B/M: 306EFC4011**

<b>Ref. No.</b>	<b>Name of Part</b>	<b>Qty.</b>	<b>Part No.</b>
1	DECAL, DANGER (DO NOT BREATHE DISCHARGE AIR).....	1	305EFC077
2	DECAL (OIL FILTER ELEMENT - CHAMPION).....	1	301EFC077
3	DECAL, WARNING (ROTATING MACHINERY).....	2	307EFC077
4	DECAL, WARNING (UNIT CAN AUTO RESTART) .....	1	306EFC077
5	DECAL, DANGER (DO NOT MODIFY W/O PERMISSION).....	1	309EFC077
6	DECAL, DANGER (AIR/OIL UNDER PRESSURE).....	1	308EFC077
8	DECAL ROTATION ARROW .....	1	304EFC077
9	DECAL (CHAMPION) ROTORCHAMP.....	1	310EBA077
10	DECAL OPERATION & MAINTENANCE .....	1	312EFC077
12	DECAL, WARNING OUTSIDE CONTROL BOX.....	1	310EFC077
13	DECAL, DANGER INSIDE CONTROL BOX.....	1	311EFC077
17	DECAL (CHAMPION) LARGE .....	2	308EBA077

## REPAIR KITS

Your Champion rotary screw compressor is designed and manufactured for many years of reliable operation. All components are engineered to exacting specifications, which will function together as a system to provide maximum efficiency. To insure the continuing integrity of compressor operation, use only original quality genuine Champion replacement parts and accessories.

Name of Part	Qty.	Part No.
ROUTINE MAINTENANCE KIT.....		308EFC6013
ELEMENT, AIR FILTER.....	2	2117910
ELEMENT, OIL FILTER.....	3	2117916
PERIODIC MAINTENANCE KIT (Inlet Valve).....		302EFC6013
INLET VALVE REPAIR KIT (Items 1-7, 9, 12, 16, 18, 22).....	1	EFC89555209
O-RING .....	1	EFC89552979
PERIODIC MAINTENANCE KIT (Minimum Pressure/Check Valve).....		303EFC6013
MINIMUM PRESSURE VALVE ASM KIT (includes 1-4, 10, 15).....	1	EFC89555599
O-RING .....	1	EFC85387979
OIL SEPARATOR KIT.....		309EFC6013
OIL SEPARATOR.....	1	2117912
O-RING .....	1	EFC85387979
THERMAL MIXING VALVE ELEMENT REPAIR KIT .....		304EFC6013
THERMOSTAT ELEMENT.....	1	EFC89560169
O-RING .....	1	EFC85646299
DRIVE SHAFT SEAL KIT.....		300EFC6029
SHAFT SEAL KIT.....	1	EFC30834020
GASKET (Shaft Seal) .....	1	EFC30809658
SPACER-RING.....	1	EFC30806218
DRIVE SHAFT SEAL TOOL KIT.....		305EFC6013
SHAFT SEAL TOOL, (Drift).....	1	EFC03416008
SHAFT SEAL TOOL, (Pressing Tool).....	1	EFC03424838
SHAFT SEAL TOOL.....	1	EFC03424708
WEAR SLEEVE PULLER.....	1	EFC89587189
INTAKE VALVE TOOL.....	1	EFC37687478
SIGHT GLASS TOOL.....	1	EFC89747909
THERMOSTAT TOOL .....	1	EFC30975188
BARE AIREND REPAIR KIT.....		306EFC6013
AIREND, ENDURO 6.....	1	EFC04022374
O-RING .....	1	EFC89594599
O-RING .....	1	EFC89594469
O-RING .....	1	EFC89534789

## REPAIR KITS (CONTINUED)

Name of Part	Qty.	Part No.
PERIODIC OVERHAUL KIT, AIREND.....		307EFC6013
OVERHAUL KIT (includes bearings and gaskets).....	1	EFC50308200
O-RING .....	1	EFC89594599
O-RING .....	1	EFC89594469
O-RING .....	1	EFC89534789
PNEUMATIC CONTROLS .....		314EFC6013
CHECK VALVE.....	2	90AR261
CHECK VALVE.....	1	EFC89597779
STRAINER.....	1	EFC85588619
ELECTRICAL CONTROL GROUP .....		315EFC6013
TRANSDUCER.....	2	88H359
THERMISTOR PROBE.....	1	21D264
THERMISTOR PROBE.....	1	21D343
SOLENOID VALVE .....	1	91B70
SOLENOID VALVE .....	1	91B223
VACUUM SWITCH.....	1	88H195
LUBRICANT (ROTORLUB 2000)		
5-GALLON PAIL.....	1	28H170
55-GALLON DRUM .....	1	28H171
LUBRICANT (ROTORLUB 4000) - STANDARD		
5-GALLON PAIL.....	1	28H166
55-GALLON DRUM .....	1	28H167
LUBRICANT (ROTORLUB 4000FG)		
5-GALLON PAIL.....	1	28H168
55-GALLON DRUM .....	1	28H169
LUBRICANT (ROTORLUB 8000)		
5-GALLON PAIL.....	1	28H164
55-GALLON DRUM .....	1	28H165
TOUCH-UP PAINT, White		
5-GALLON PAIL.....	1	28H76
1-GALLON CAN.....	1	28H84
1-QUART CAN.....	1	28H83





©2000 Gardner Denver, Inc.  
Litho in U.S.A.

[www.championpneumatic.com](http://www.championpneumatic.com)

Champion  
1301 North Euclid Avenue  
Princeton, Illinois 63156 USA  
Phone: (815) 875-3321  
Fax: 815-872-0421



E-mail: [champion@championpneumatic.com](mailto:champion@championpneumatic.com)

Plants in Princeton IL, and Manteca, CA

Due to Champion's continuing product development program, specification and materials are subject to change without notice.