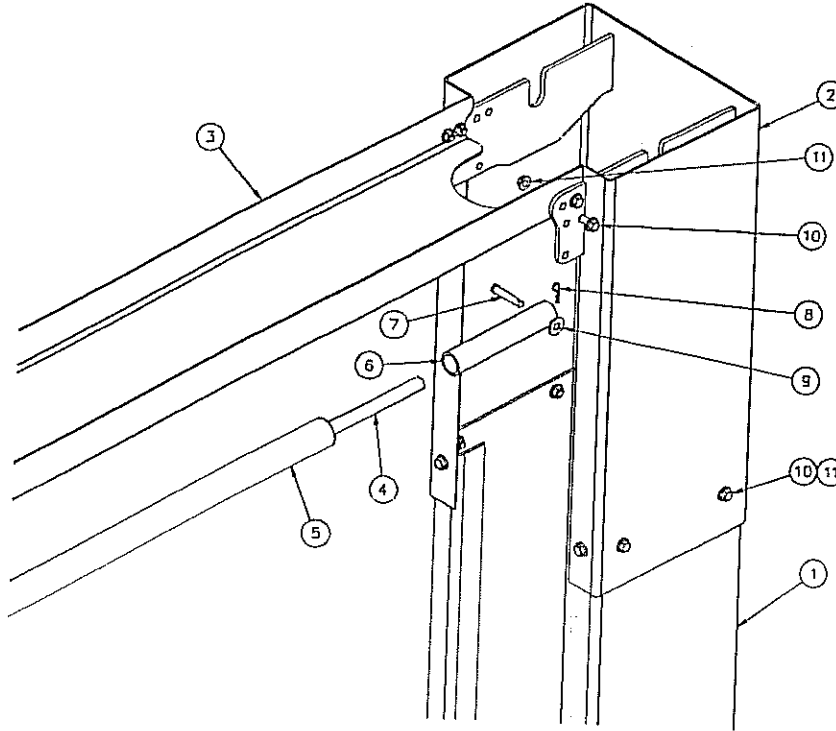


Model CL10  
Installation, Operation and Maintenance

# PARTS BREAKDOWN

Fig A. Column & Overhead



ITEM #	PART #	QTY/LIFT	DESCRIPTION
1	A2010-P	1	POWER COLUMN WELD
	A2010-I	1	IDLER COLUMN WELD
2	A2055-0	2	COLUMN EXTENSION WELD - CL10
	A2055-2		COLUMN EXTENSION WELD - CL10-2
	A2055-3		COLUMN EXTENSION WELD - CL10-3
3	A2060	1	OVERHEAD CHANNEL
4	36074	1	SHUTOFF BAR
5	31129	1	PAD
6	30027	1	OVERHEAD LIMIT SWITCH
7	A1064	2	3/8 DIA x 1 7/8 Lg. CLEVIS PIN (SHUTOFF BAR)
8	40124	2	HAIRPIN COTTER PIN
9	31036	7	3/8" FLAT WASHER
10	A1153	24	3/8-16NC HEX.FLG.HD.C.5 X 3/4" Lg.
11	A1154	24	3/8-16NC HEX.FLG.NUT

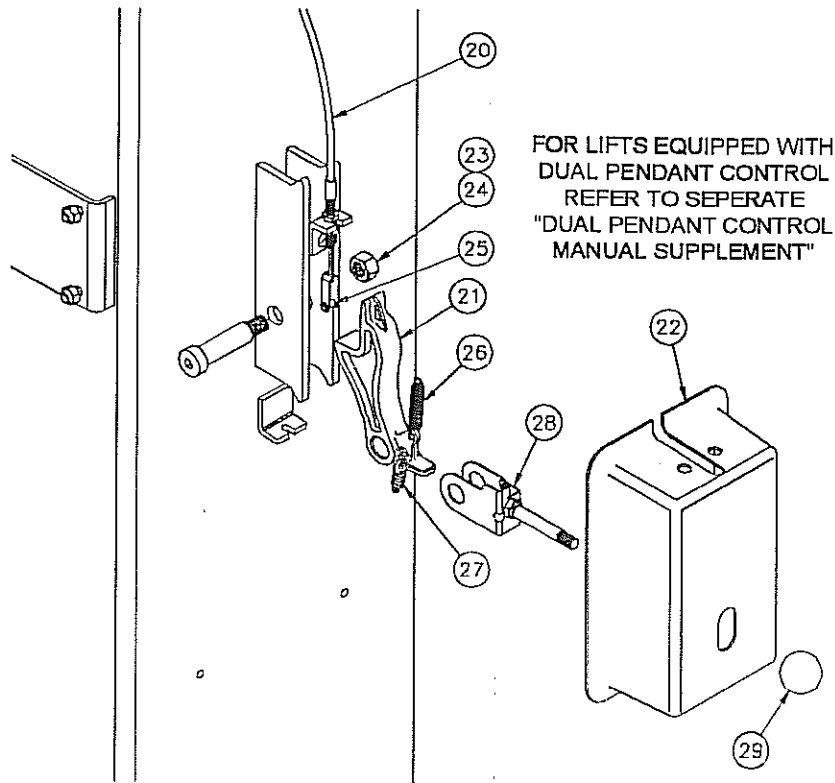
Replace all worn or broken parts with genuine **Challenger Lifts Inc.** parts. Contact your local Challenger Lifts Parts Distributor for pricing and availability. (Call Challenger Lifts Inc. (502) 625-0700 for the Parts Distributor in your area)



Model CL10  
Installation, Operation and Maintenance

PARTS BREAKDOWN (continued)

Fig B. Lock



ITEM #	PART #	QTY/LIFT	DESCRIPTION
20	A2135-0	1	LOCK RELEASE CABLE ASSEMBLY - CL10
	A2135-2		LOCK RELEASE CABLE ASSEMBLY - CL10-2
	A2135-3		LOCK RELEASE CABLE ASSEMBLY - CL10-3
21	A1140	2	LOCK PAWL
22	A1133	2	LOCK COVER
23	30020	2	LOCK PIN (5/8 x 1 1/2" Lg. SHOULDER BOLT)
24	37013	2	LOCK PIN RETAINER (1/2-13NC HEX LOCK NUT)
25	37119	1	CLEVIS PIN KIT
26	A1131	2	LOCK SPRING (3/8" O.D.)
27	A1132	1	CABLE SPRING (1/2" O.D.) - Idler side ONLY
28	A1141	1	LOCK RELEASE CLEVIS ASSEMBLY - Power side ONLY
29	36096	1	BALL HANDLE - Power side ONLY

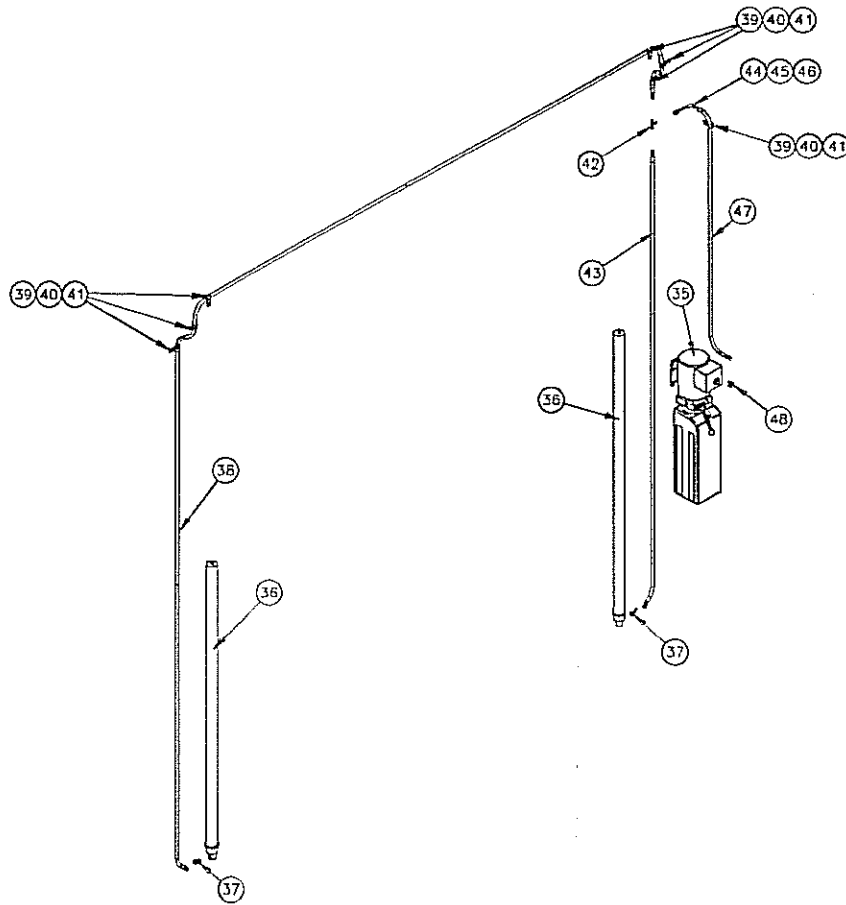
Replace all worn or broken parts with genuine **Challenger Lifts Inc.** parts. Contact your local Challenger Lifts Parts Distributor for pricing and availability. (Call Challenger Lifts Inc. (502) 625-0700 for the Parts Distributor in your area)



Model CL10  
Installation, Operation and Maintenance

PARTS BREAKDOWN (continued)

Fig C. Hydraulics



ITEM #	PART #	QTY/LIFT	DESCRIPTION
35	A1201-17	1	POWER UNIT 1ph, 60 Hz, 208-230V
	A1203-17		POWER UNIT 3ph, 60 Hz, 208-230/460V
36	16138	2	CYLINDER (68" STROKE x 2" BORE)
37	A2128	2	45 Degree ELBOW
38	A2127 - I	1	IDLER HOSE
39	A1122-12	7	3/8" HOSE CLAMP
40	A1153	5	3/8-16 x 1/4 HEX FLANGE HEAD BOLT
41	A1154	5	3/8-16 HEX FLANGE NUT
42	39103	1	37 Degree UNION TEE
43	A2127 - P	1	POWER HOSE
44	31025	1	3/8" LINE CLAMP
45	A2125	1	1/2-20 x 1/4 HEX FLANGE HEAD BOLT
46	40085	1	1/2-20 HEX FLANGE NUT
47	A2127 - PU	1	POWER UNIT HOSE
48	16167	1	9/16-18 STRAIGHT THREAD ELBOW

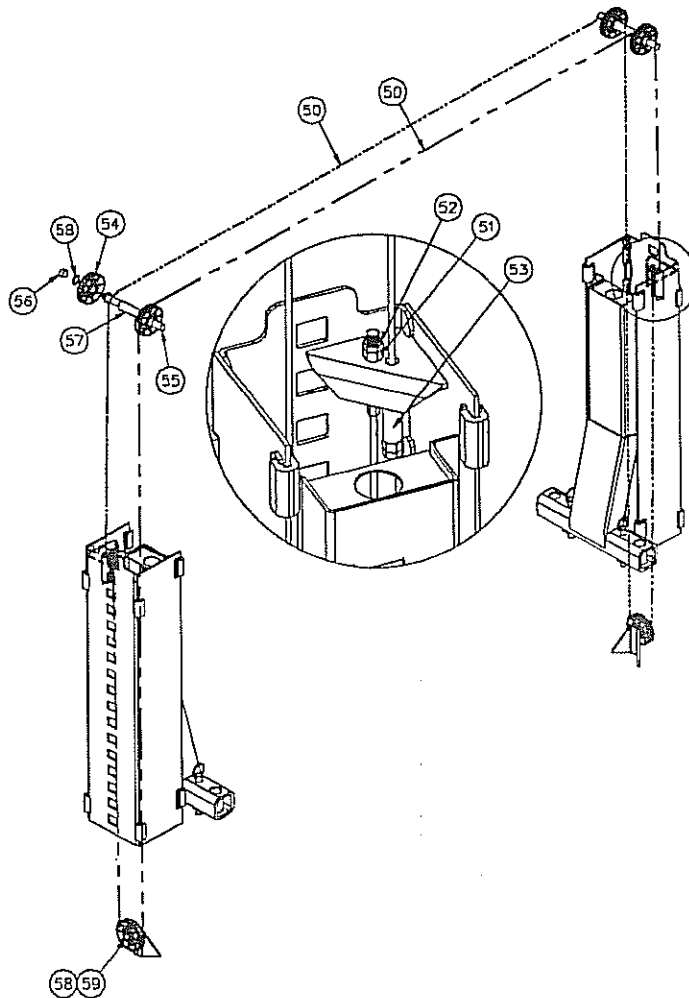
Replace all worn or broken parts with genuine **Challenger Lifts Inc.** parts. Contact your local Challenger Lifts Parts Distributor for pricing and availability. (Call Challenger Lifts Inc. (502) 625-0700 for the Parts Distributor in your area)



Model CL10  
Installation, Operation and Maintenance

PARTS BREAKDOWN (continued)

Fig D. Synchronizer



ITEM #	PART #	QTY/LIFT	DESCRIPTION
50	A2115-0	2	SYNCHRONIZER CABLE - CL10
	A2115-2		SYNCHRONIZER CABLE - CL10-2
	A2115-3		SYNCHRONIZER CABLE - CL10-3
51	A2116	4	5/8-11NC HEX NUT
52	A2117	4	5/8-11NC HEX JAM NUT
53	A2118	2	CABLE SPACER (4 1/2" LONG)
54	36025	6	SHEAVE ASSEMBLY (5" DIA. X 5/16" GROOVE)
55	36024	2	SHEAVE PIN
56	A1063-S	4	SHORT SHEAVE SPACER (LINE)
	A2063-S		SHORT SHEAVE SPACER (HOSE)
57	A1063-L10	2	LONG SHEAVE SPACER (LINE)
	A2063-L		LONG SHEAVE SPACER (HOSE)
58	36013	10	1" I.D. SPACER WASHER
59	36014	2	1" EXT. RETAINING RING

Replace all worn or broken parts with genuine **Challenger Lifts Inc.** parts.  
Contact your local Challenger Lifts Parts Distributor for pricing and availability.  
(Call Challenger Lifts Inc. (502) 625-0700 for the Parts Distributor in your area)

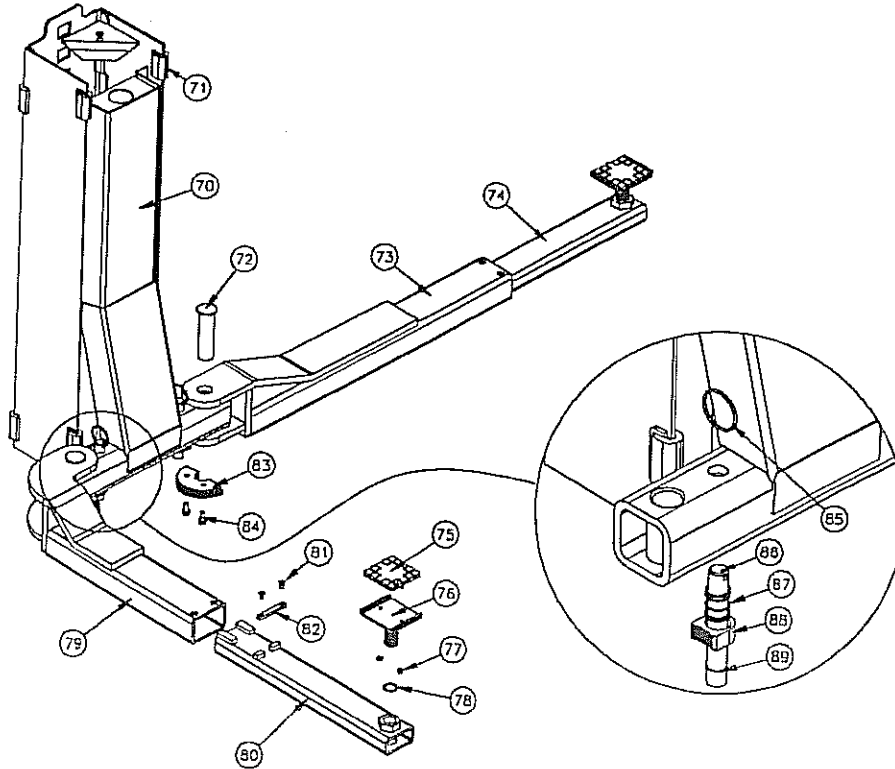




Model CL10  
Installation, Operation and Maintenance

PARTS BREAKDOWN (continued)

Fig E. Carriage & Arms



11044

ITEM #	PART #	QTY/LIFT	DESCRIPTION
70	A2025	2	CARRIAGE WELD (LINE)
	B2026		CARRIAGE WELD (HOSE)
71	31023	16	SLIDE BLOCK
72	A107B	4	ARM PIN WELD
73	B2091	2	REAR FEMALE ARM WELD
74	B1094-R10	2	MALE ARM WELD (REAR)
75	B1104	4	FOOT PAD RUBBER INSERT
76	B1101	4	FOOT PAD WELD
77	B31061	8	M6 KEPS NUT
78	39111	4	FOOT PAD RETAINER RING
79	B2086-P	1	FRONT FEMALE ARM WELD (POWER)
	B2086-I	1	FRONT FEMALE ARM WELD (IDLER)
80	B1094-F	2	MALE ARM WELD (FRONT)
81	B1081	8	M8x1.25 x 16 Flat Socket Head Screw
82	B1082	4	Arm Stop
83	A1070	4	INNER GEAR
84	B1068	8	M10x1.5x25 Hex Flange head Screw
85	A1075	4	PULL RING
86	A1073	4	SHAFT
87	31109	4	COMPRESSION SPRING (RESTRAINT SHAFT)
88	A1072	4	OUTER GEAR
89	36014	4	1" EXT. RETAINING RING
	B2090	2	REAR ARM ASSY (ITEMS NO: 73, 74, 81, 82)
	B2085-P	1	FRONT ARM ASSY (POWER) (ITEMS NO: 79, 80, 81, 82)
	B2085-I	1	FRONT ARM ASSY (IDLER) (ITEMS NO: 79, 80, 81, 82)
	B1100	4	FOOT PAD ASSY (ITEMS NO: 75, 76, 77)
	A1077	4	ARM RESTRAINT SHAFT ASSY (ITEMS NO: 85, 86, 87, 88, 89)

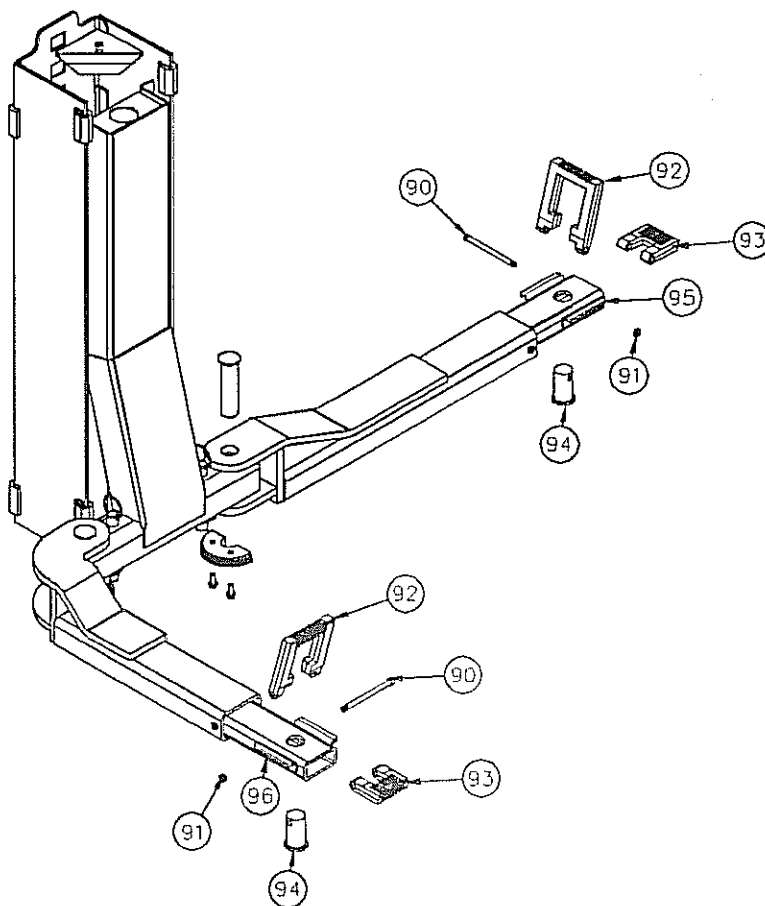
Replace all worn or broken parts with genuine **Challenger Lifts Inc.** parts. Contact your local Challenger Lifts Parts Distributor for pricing and availability. (Call Challenger Lifts Inc. (502) 625-0700 for the Parts Distributor in your area)



Model CL10  
Installation, Operation and Maintenance

PARTS BREAKDOWN (continued)

Fig E. Carriage & Arms (continued)



ITEM #	PART #	QTY/LIFT	DESCRIPTION
90	16607M	4	7/16-14 HEX BOLT-MACHINED
91	16608	4	7/16-14 STEEL LOCK JAM NUT
92	16601	4	HIGH PAD
93	16602	4	LOW PAD
94	16603	4	PIN-2 PIECE FLIP UP
95	A1094F-F	2	MALE ARM WELD FRONT
96	A1094F-R10	2	MALE ARM WELD REAR
	A2002F	1	ARM PACK, CL109 2-PIECE FLIP-UP
	A2085F-P	1	FRONT ARM ASSY. 2-PIECE FLIP-UP (POWER)
	A2085F-I	1	FRONT ARM ASSY. 2-PIECE FLIP-UP (IDLER)
	A2090F	2	REAR ARM ASSY. 2-PIECE FLIP-UP

Replace all worn or broken parts with genuine **Challenger Lifts Inc.** parts. Contact your local Challenger Lifts Parts Distributor for pricing and availability. (Call Challenger Lifts Inc. (502) 625-0700 for the Parts Distributor in your area)



Model CL10  
Installation, Operation and Maintenance

*BLANK PAGE*

