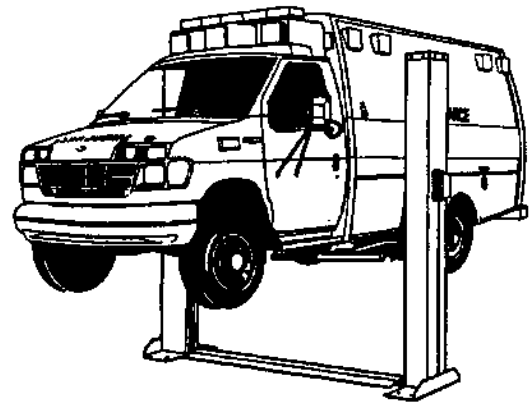
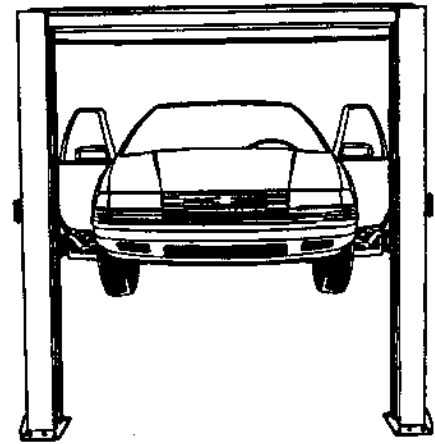


**COATS  
BADA**

**AMMCO**

# **B2700/M/P B2900/F AMMCO 2-Post Lifts**

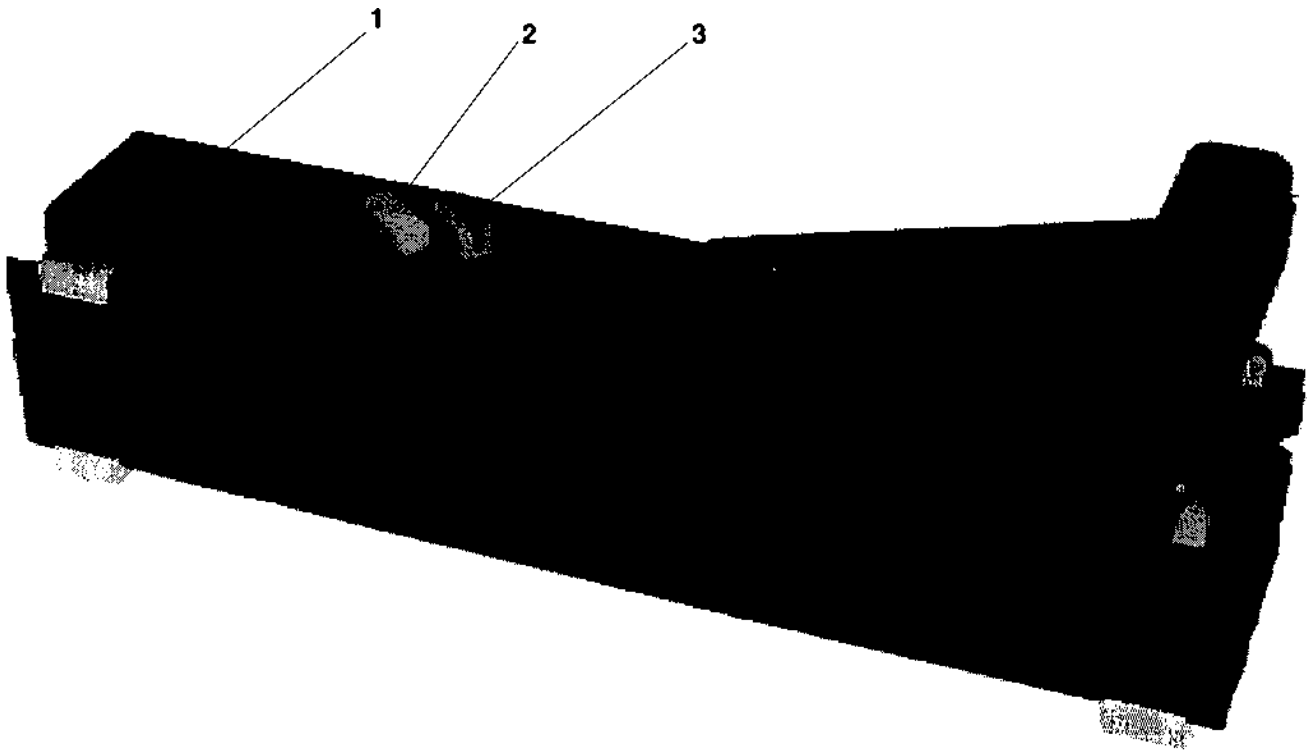


## **Parts List**

***HENNESSY INDUSTRIES, INC.***

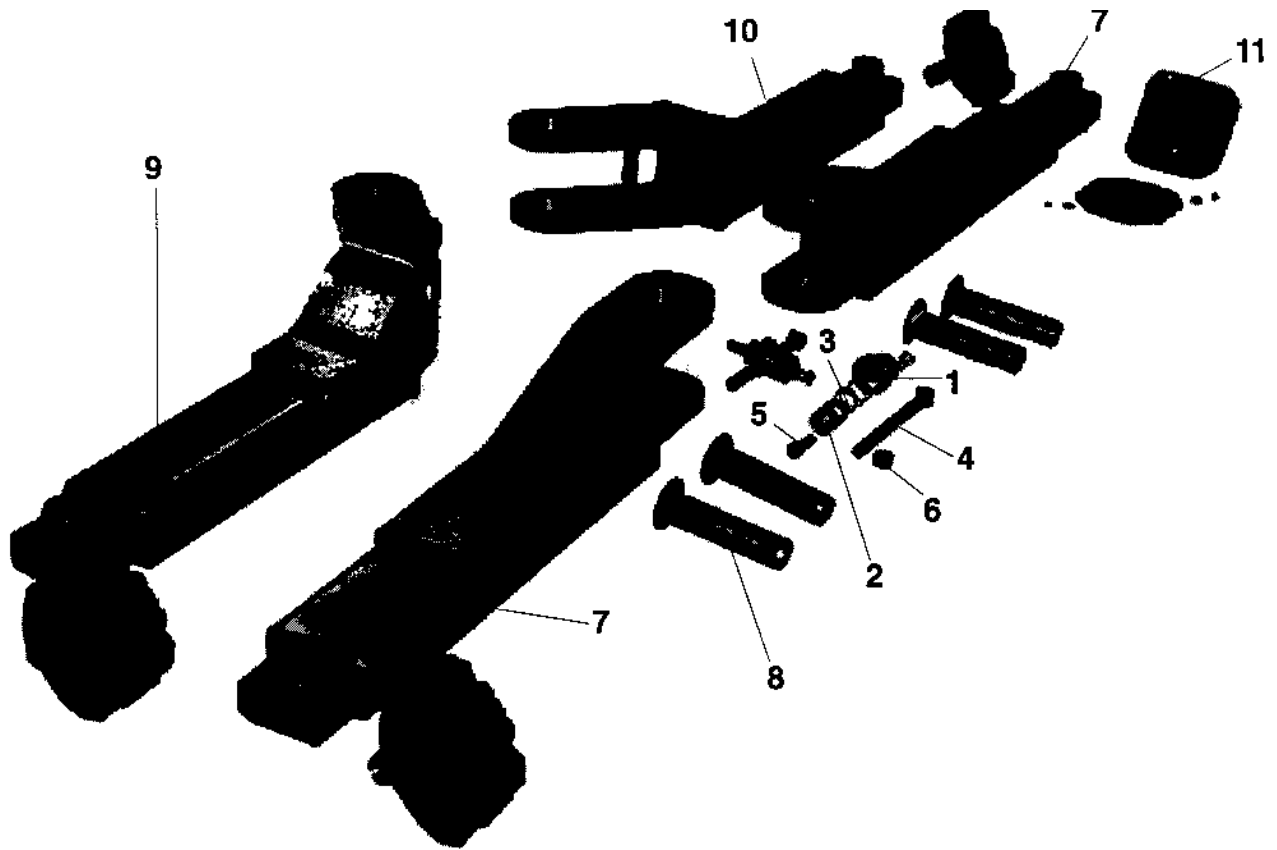
P. O. Box 3002, 1601 J. P. Hennessy Dr., LaVergne, TN 37086-1982 615/641-7533 800/688-6359

HENNESSY INDUSTRIES, INC. Manufacturer of AMMCO™ COATS™ and BADA™ Automotive Service Equipment and Tools.



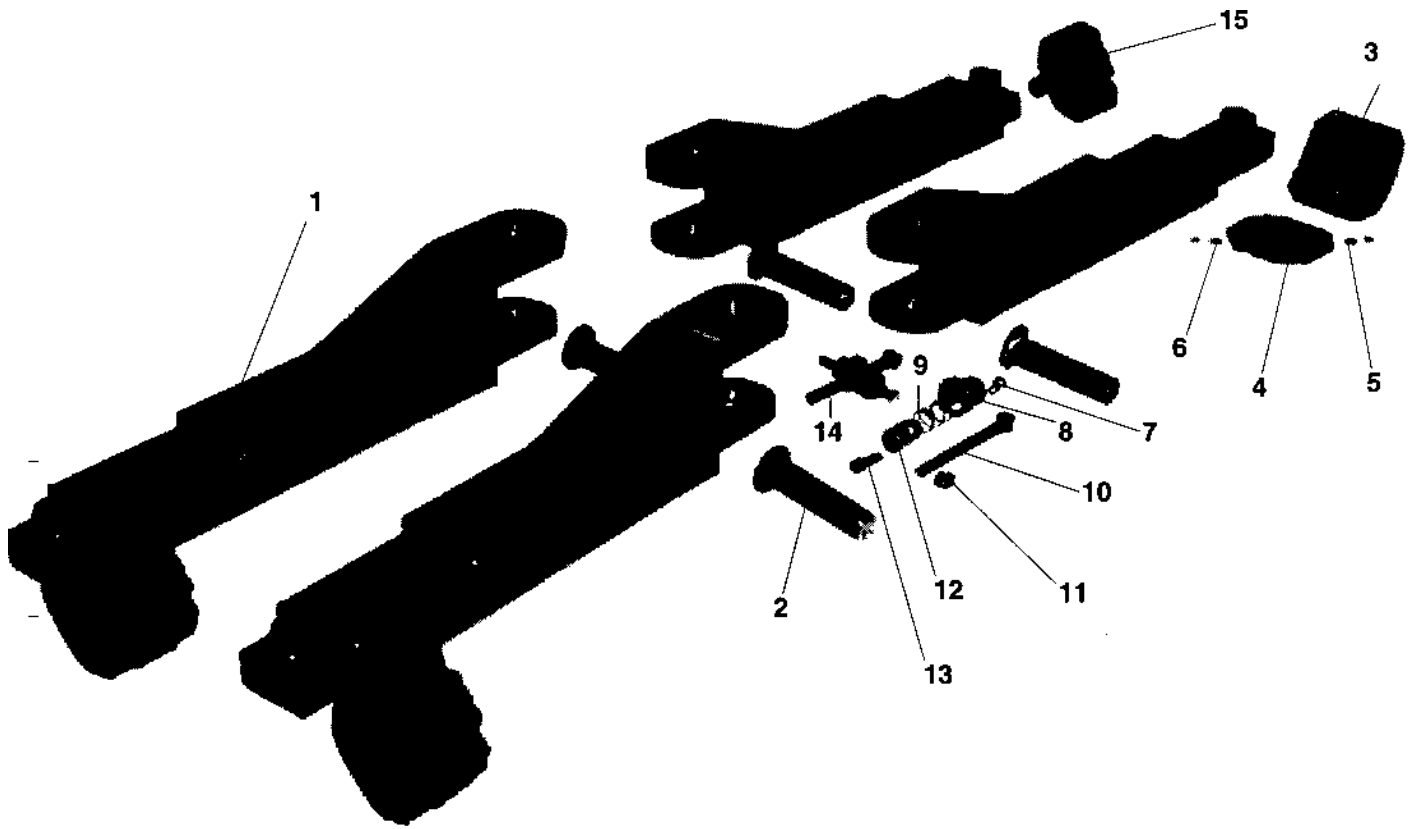
ITEM	PART NO.	DESCRIPTION	B2700 QTY.	B2700M QTY.	B2700P QTY.	B2900 QTY.	B2900F QTY.
1	4B36010	Weldment, Carriage Final	2	2	2		
1	4B39007	Weldment, Carriage Final				2	2
2	4B36011	Block, Solid Slide	4	4	4	4	4
3	4B31023	Slide Block Assembly	4	4	4	4	4
*	4B37004	Weldment, Power Column	1		1		
*	4B37005	Weldment, Idler Column	1		1		
*	4B36009	Weldment, Power Column		1			
*	4B36018	Weldment, Idler Column		1			
*	4B39005	Weldment, Power Column				1	1
*	4B39006	Weldment, Idler Column				1	1

\*Not Shown

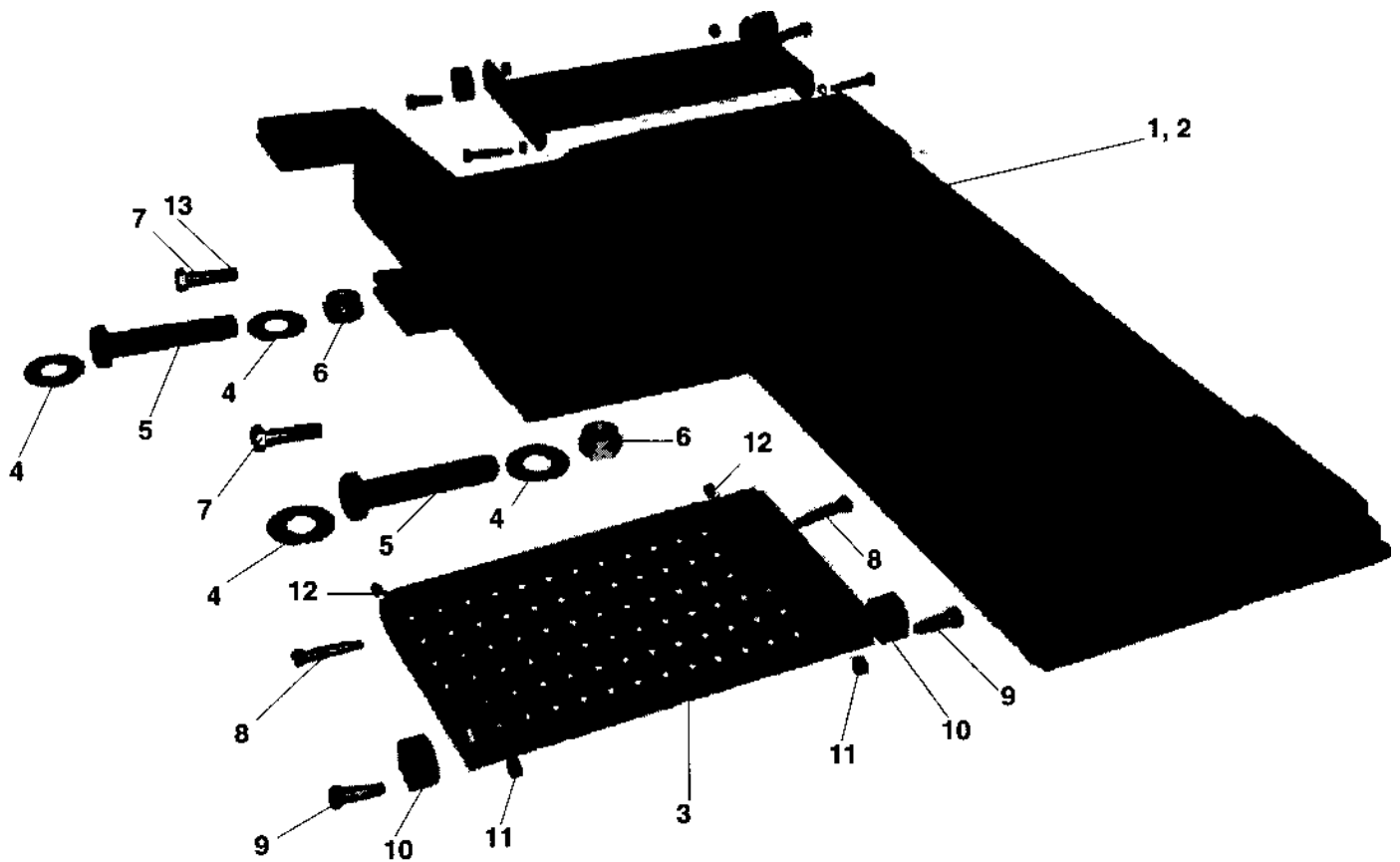


ITEM	PART NO.	DESCRIPTION	B2700 QTY.	B2700M QTY.	B2900 QTY.
1	4B31107	Weldment, Sleeve	4	4	4
2	4B31108	Insert	4	4	4
3	4B31109	Spring, Compression	4	4	4
4	4B31110	Weldment, Link	4	4	4
5	4B31112	Capscrew, 1/2-13 Socket Head	8	8	8
6	4B31113	Nut, 5/8-8 Acme	1	1	1
7	4B37050	Rear Arm Assembly	2	2	
7	4B36038	Rear Arm Assembly		1	
7	<del>4B39012</del>	Rear Arm Assembly <i>4B39038</i>			2
8	4B31134	Weldment, Arm Pin	4	4	4
9	4B37046	Front Arm Assembly - Left	1		
9	4B36039	Front Arm Assembly - Left		1	
9	4B39010	Front Arm Assembly - Left			1
10	4B37049	Front Arm Assembly - Right	1		
10	4B36040	Front Arm Assembly - Right		1	

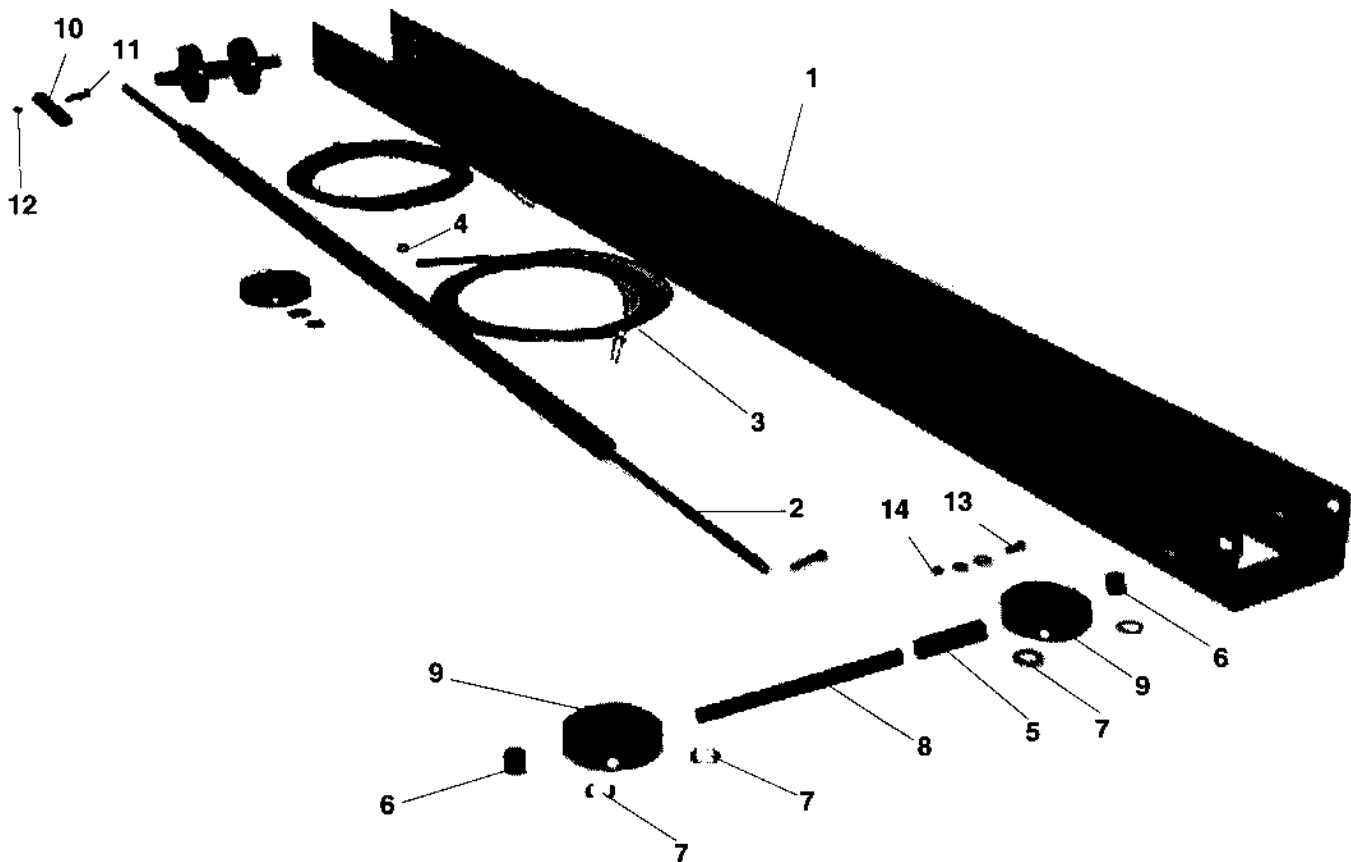
B2700 - B2900.max



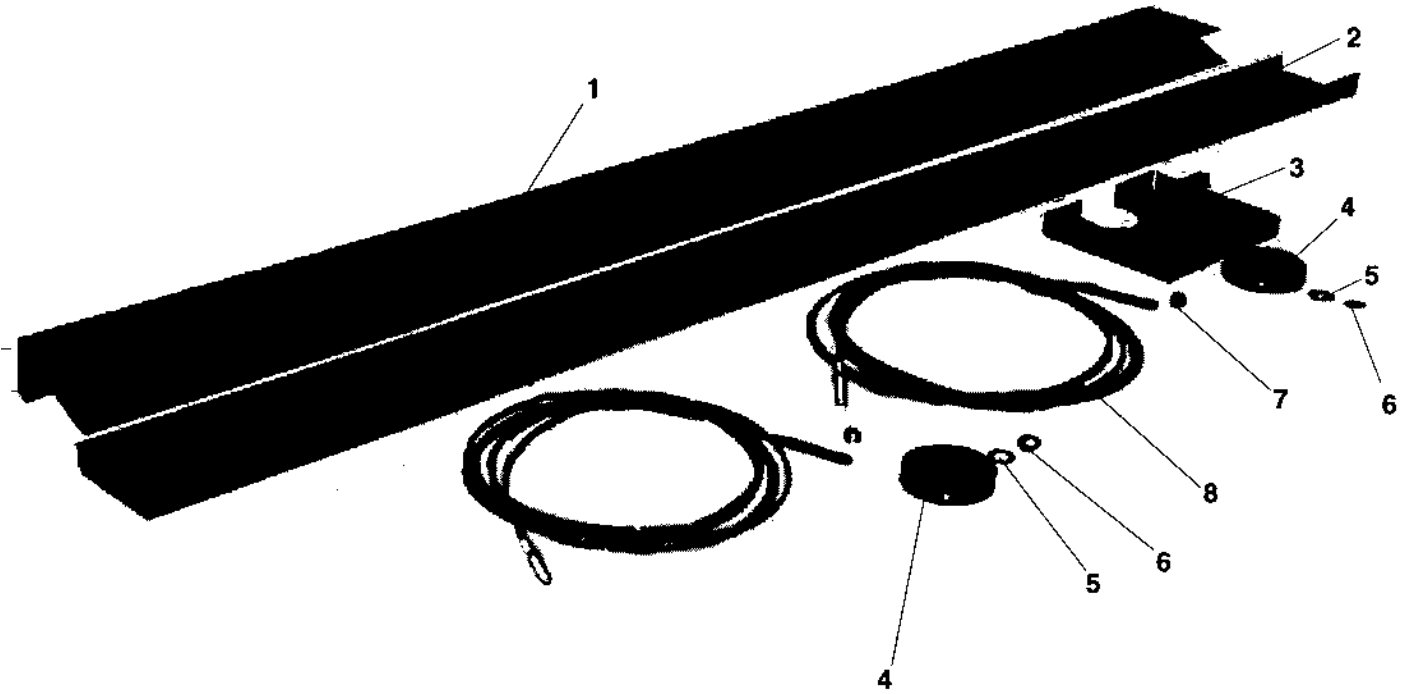
ITEM	PART NO.	DESCRIPTION	B2900F QTY.
1	4B38020	Arm Assy. w/Pins and Pads	4
2	4B31134	Pin, Arm	4
3	4B31133	Foot Pad, 3 1/2"	4
4	4B31057	Insert, Rubber	4
5	4B31115	Washer, 1/4" Flat	8
6	4B31114	Washer, 1/4" Fender	8
7	4B27662	Capscrew, 1/2-13 x 3/4 Hex Head	4
8	4B31107	Sleeve, Arm Restraint	4
9	4B31109	Spring, Arm Restraint	4
10	4B31110	Link, Arm Restraint	4
11	4B31113	Nut, 5/8-8 Acme	1
12	4B31108	Insert, Arm Restraint	4
13	4B31112	Bolt, 1/2-13 x 1 1/2 Socket Head	8
14	4B31052	Arm Restraint Assembly	4
15	4B100066	Foot Pad, 3 1/2" w/Insert	4



ITEM	PART NO.	DESCRIPTION	B2700P QTY.
1	4B10006	2-Post Pad Adapter-Left	1
2	4B10009	2-Post Pad Adapter-Right	1
3	4B10025	Ramp, Pivot	4
4	4B10032	Washer, 1 1/4 Flat	8
5	4B10030	Bolt, 1 1/4-7 x 6 1/2 Hex Head	4
6	4B10031	Locknut, 1 1/4 Steel	4
7	4B10028	Bolt, 3/4-10 x 2 Adjustment	4
8	4B10023	Bolt, 1/2 x 2 Shoulder	8
9	4B10026	Bolt, 5/8 x 1 1/4 Shoulder	8
10	4B10022	Roller	8
11	4B10027	Locknut, 1/2-13 Nylon	8
12	4B10024	Locknut, 3/8-16 Nylon	8
13	4B10029	Nut, 3/4-10 Jam	4

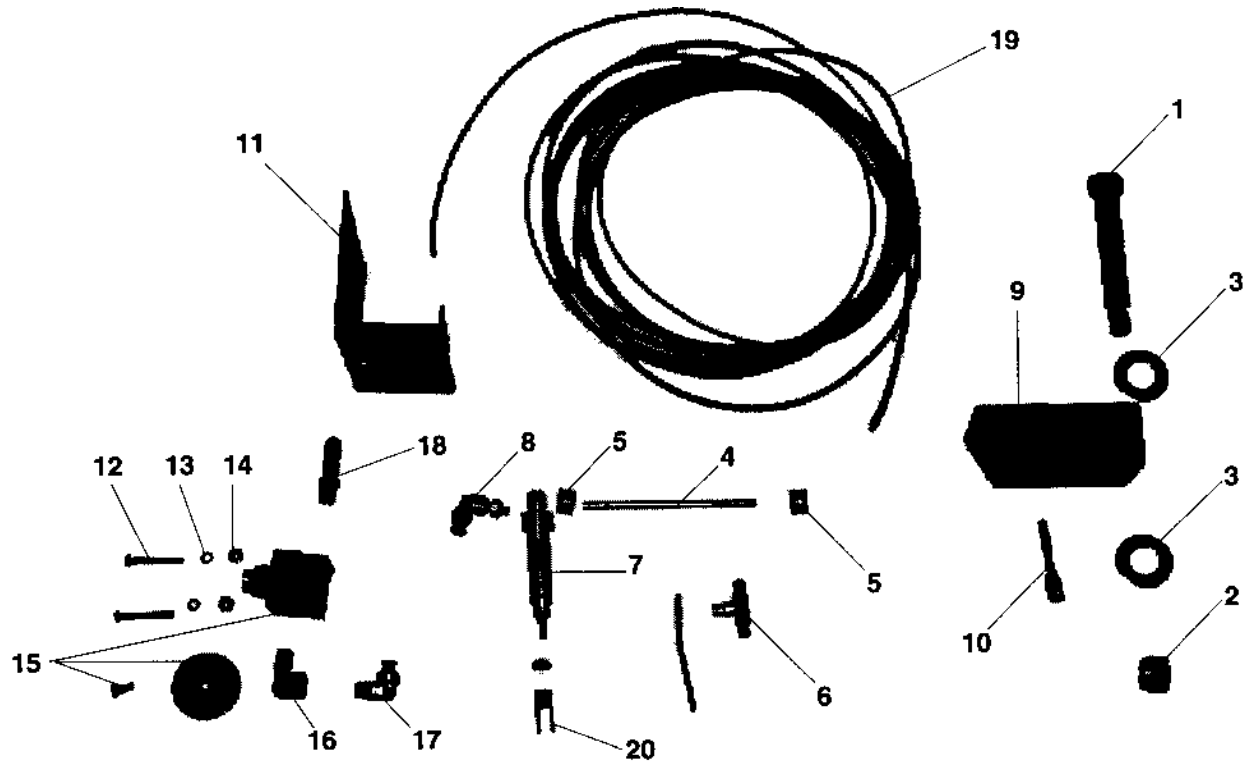


ITEM	PART NO.	DESCRIPTION	B2700 QTY.	B2700M QTY.	B2700P QTY.	B2900 QTY.
1	4B39009	Channel, Overhead				1
	4B36034	Channel, Overhead	1	1	1	
2	4B36035	Overhead Shutoff Bar Assembly	1	1	1	1
3	4B36006	Synchronizing Cable Assembly	2	2	2	2
4	4B36037	Locknut, 1/2-20 Esna	4	4	4	4
5	4B36086	Spacer, Long	2	2	2	2
6	4B36087	Spacer, Short	4	4	4	
6	4B39030	Spacer, Short				4
7	4B36013	Washer, 1" Phoenix	8	8	8	8
8	4B36024	Pin, Sheave	2	2	2	2
9	4B36025	Sheave Assembly	8	8	8	8
10	4B36026	Tube, Switch	1	1	1	1
11	4B36065	Bolt, 3/8 x 1 1/2 Shoulder	2	2	2	2
12	4B36066	Locknut, 5/16-18 Esna	2	2	2	2
13	4B31035	Bolt, 3/8 16 x 1	8	8	8	8
14	4B31038	Nut, 3/8-16	8	8	8	8



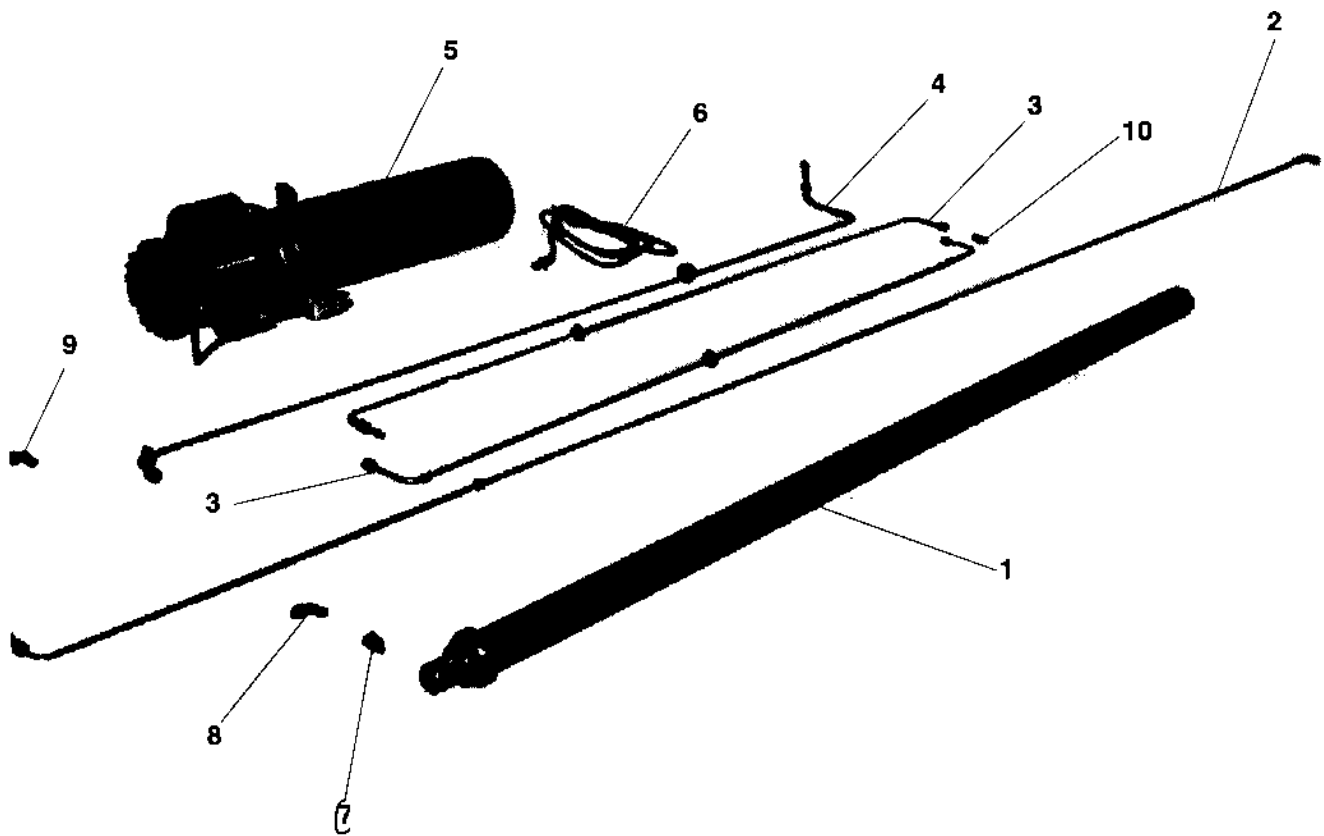
ITEM	PART NO.	DESCRIPTION	B2900F QTY.
1	4B38107	Plate, Drive Over	1
2	4B38108	Channel, Drive Over	1
3	4B38029	Cap, Top	2
4	4B36025	Sheave, Synchronizing Cable	4
5	4B36014	Ring, External Retaining	2
6	4B36013	Washer, 1" Phoenix	2
7	4B36037	Locknut, 1/2-20 Nylon	4
8	4B38019	Cable, Synchronizing	2
9	4B38007	Cable, Synchronizing w/Nuts	2
10*	4B38043	Bolt, 3/8 x 3 1/2 Anchor	12

\*Not Shown

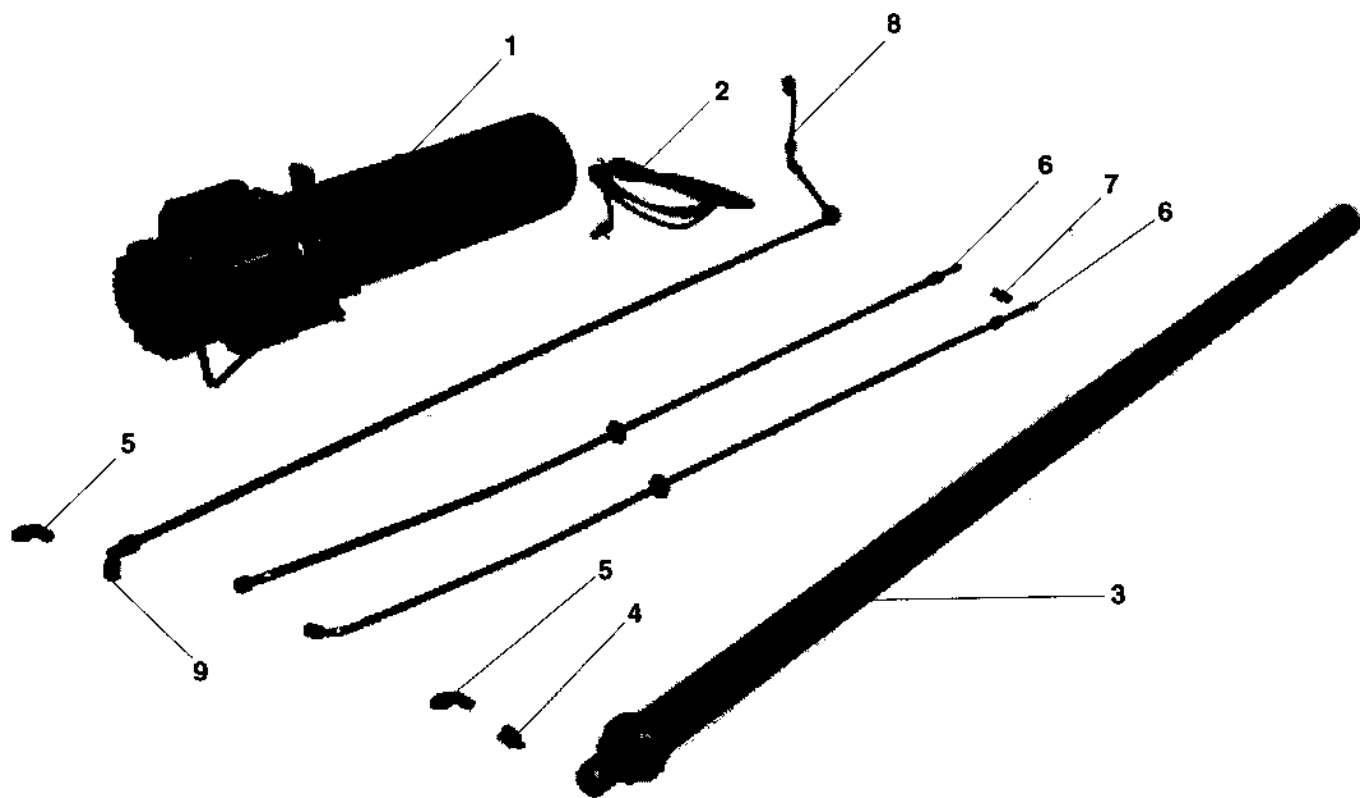


ITEM	PART NO.	DESCRIPTION	B2700 QTY.	B2700P QTY.	B2900 QTY.	B2900F QTY.
1	4B37011	Bolt, 5/8 x 3 Shoulder	2	2	2	2
2	4B37013	Locknut, 1/2-13 Nylon	2	2	2	2
3	4B37012	Washer, 5/8 SAE Flat	4	4	4	4
4	4B37042	Rod, Cylinder Pivot	2	2	2	2
5	4B37031	Nut, 5/32 Speed	4	4	4	4
6	4B37032	Union Tee - Pushloc	1	1	1	1
7	4B37026	Cylinder, Air	2	2	2	2
8	4B37041	Elbow, Swivel	2	2	2	2
9	4B37009	Pawl, Locking <i>4B37009</i>	2	2	2	2
10	4B37010	Bolt, 1/4-20 Spade	2	2	2	2
11	4B37015	Bracket, Button Valve	1	1	1	1
12	4B37022	Screw, #8-32 x 1 1/4 Pan Hd Machine	2	2	2	2
13	4B37024	Lockwasher, #8 Split	2	2	2	2
14	4B37023	Nut, #8-32 Hex	2	2	2	2
15	4B37016	Valve, Button	1	1	1	1
16	4B37020	Elbow, Street	1	1	1	1
17	4B37019	Elbow, Male	1	1	1	1
18	4B37021	Barb, Hose	1	1	1	1
19	4B37035	Air line, SPLR 1/8"	1	1	1	1
20	4B37029	Clevis, Piston Rod	2	2	2	2



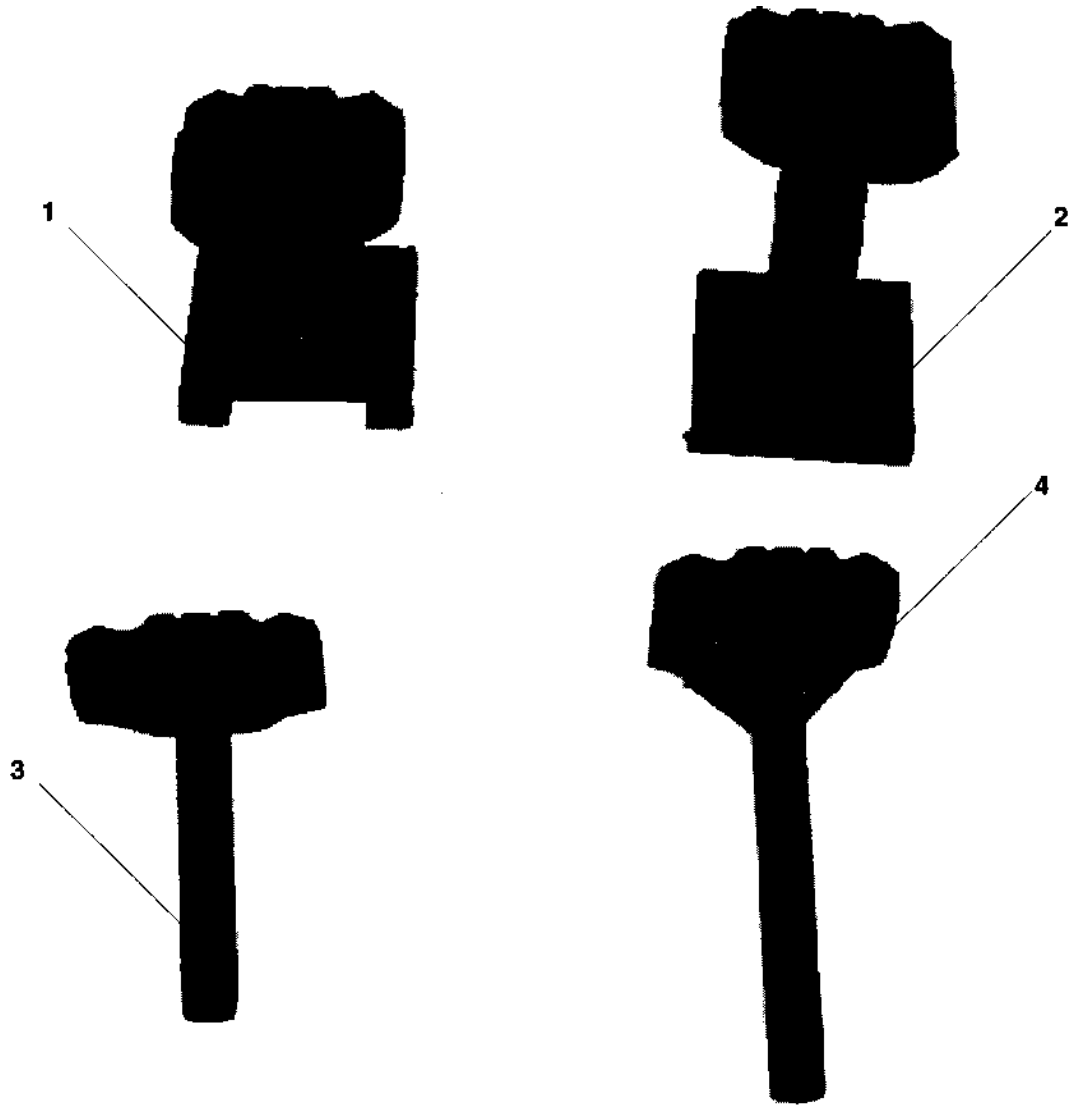


ITEM	PART NO.	DESCRIPTION	B2700 QTY.	B2700M QTY.	B2700P QTY.	B2900 QTY.
1	<del>4B36046</del> 4B36046	Cylinder, 72" Hydraulic	2	2	2	2
2	4B36049	Line, Hydraulic (Cylinder to Overhead)	2	2	2	2
3	4B36032	Overhead Hydraulic Line Assy.	2	2	2	2
4	4B36033	Power Unit Hydraulic Line Assy.	1	1	1	1
5	4B36007	Unit, Power	1	1	1	1
6	4B36027	Switch, Mercury	1	1	1	1
7	4B36047	Expander, 7/16-9/16 Reducer	2	2	2	2
8	4B31089	Elbow, 9/16 SAE O-Ring	2	2	2	2
9	4B31042	Tee, Hydraulic	1	1	1	1
10	4B31047	Union, O-Ring	1	1	1	1
11	4B36051	Elbow, 9/16 Swivel	1	1	1	1
	4B36156K - SEAL KIT					



ITEM	PART NO.	DESCRIPTION	B2900F QTY.
1	4B36007	Power Pack - 2 HP	1
2	4B36027	Switch, Mercury	1
3	4B38024	Cylinder, 71" Stroke Hydraulic	2
4	4B36047	Expander, 7/16-9/16 Reducer	2
5	4B31089	Elbow, 9/16 SAE	2
6	4B38015	Line, Drive Over Hydraulic	2
7	4B31047	Union, Hydraulic	1
8	4B38016	Line, Power Pack Hydraulic	1
9	4B38044	Elbow, Hydraulic Union	1
10*	4B38025	Plug, 7/16 Orb	2

\*Not Shown



ITEM	PART NO.	DESCRIPTION
1	4B10060	6" Slip-on Extension w/Rubber Insert
2	4B10061	10" Slip-on Extension w/Rubber Insert
3	4B10062	8" Screw Type Ext. w/Rubber Insert
4	4B10064	12" Screw Type Ext. w/Rubber Insert