

PANZITTA SALES & SERVICE
72 George Avenue
Wilkes-Barre, PA 18705
570-822-6720 800-822-6720
www.panzittasales.com

PARTS MANUAL

PART# 95050

TWO POST LIFTS

MODEL 9000A

MODEL 9000S

MODEL 9000F

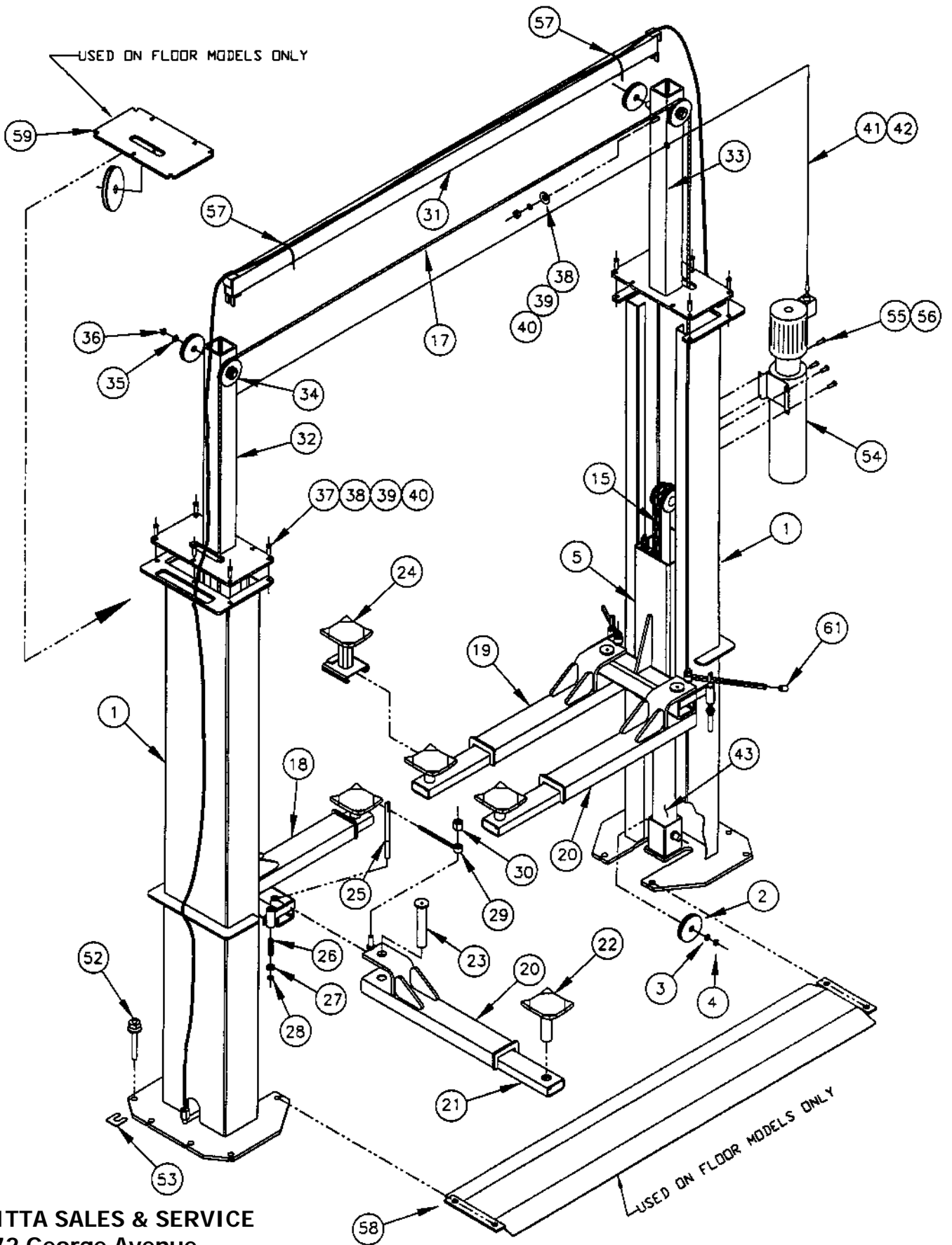
MODEL 12000S



BEN PEARSON TUBEMASTER CORPORATION
P.O. BOX 5668
PINE BLUFF AR 71611

(800) 436-1327, FAX#: 870-534-3177

Fig. 1



PANZITTA SALES & SERVICE
72 George Avenue
Wilkes-Barre, PA 18705
570-822-6720 800-822-6720
www.panzittasales.com

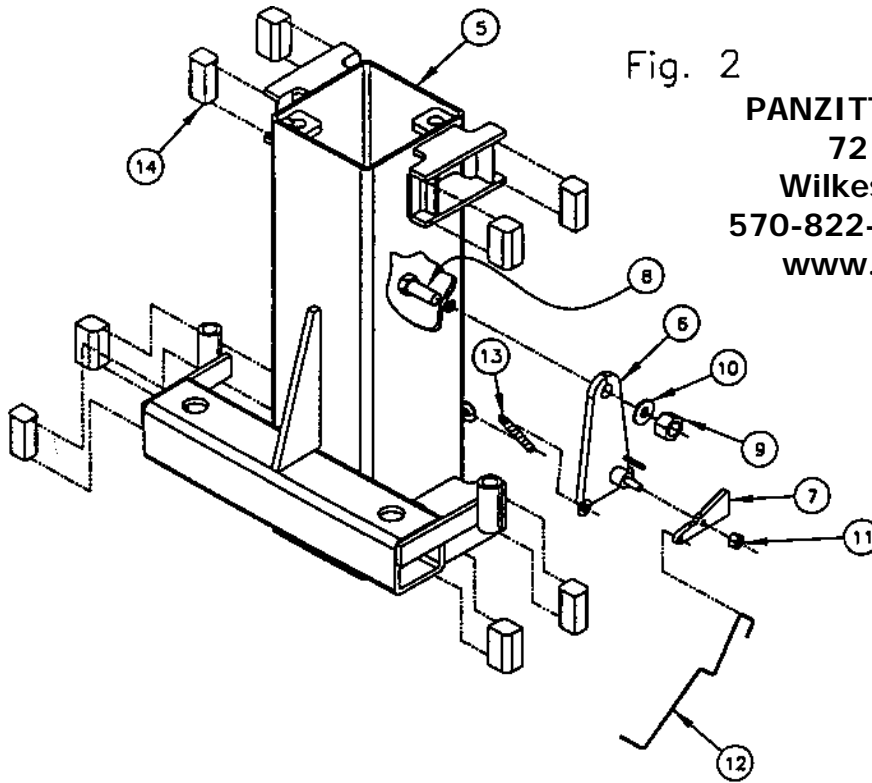
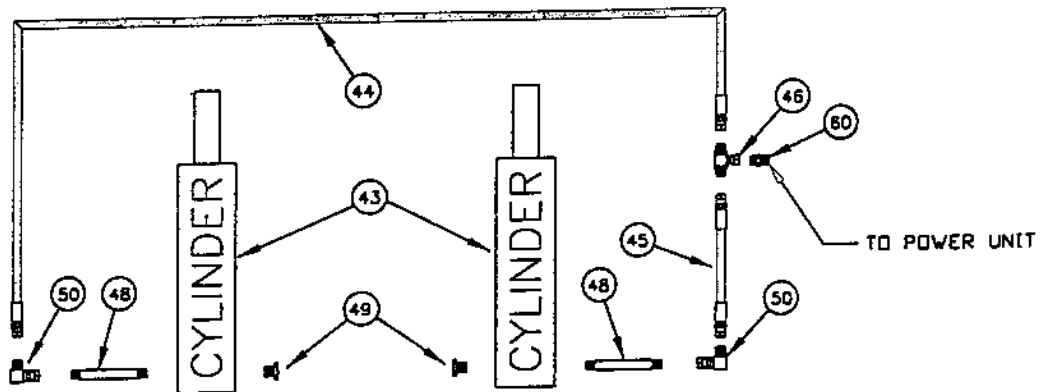


Fig. 2

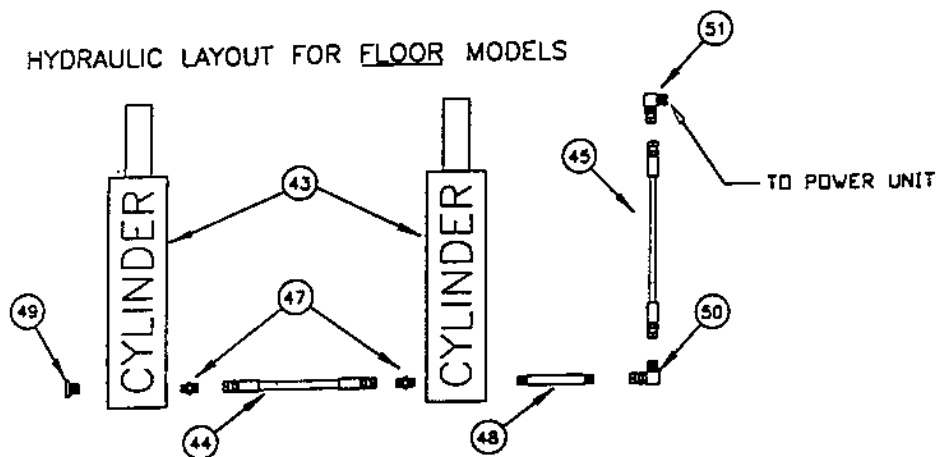
PANZITTA SALES & SERVICE
 72 George Avenue
 Wilkes-Barre, PA 18705
 570-822-6720 800-822-6720
 www.panzittasales.com

Fig. 3

HYDRAULIC LAYOUT FOR OVERHEAD MODELS



HYDRAULIC LAYOUT FOR FLOOR MODELS



PARTS LISTING

02/09/98

BASE MODEL		9000A				9000S				9000F		12000S			
		LIFT PART NUMBER		90001		90027		90003		90028		90005		90006	
		OVERALL HEIGHT		12'-6"	QT	11'-6"	QT	12'-6"	QT	11'-6"	QT	9'-1"	QT	13'-6"	QT
#	POST ASSEMBLY	91000	2	91000	2	91000	2	91000	2	91012	2	91259	2		
1	POST STRUCTURE	91001	1	91001	1	91001	1	91001	1	91001	1	91260	1		
2	SHEAVE ASSEMBLY - LARGE	91014	1	91014	1	91014	1	91014	1	91014	2	91298	1		
3	FLAT WASHER 1" SAE	100143	1	100143	1	100143	1	100143	1	100143	2	100143	1		
4	SNAP RING 5100 - 1"	103001	1	103001	1	103001	1	103001	1	103001	2	103001	1		
#	CARRIAGE ASSEMBLY	91017	2	91017	2	91017	2	91017	2	91255	2	91262	2		
5	CARRIAGE STRUCTURE	91018	1	91018	1	91018	1	91018	1	91256	1	91263	1		
6	SAFETY LATCH STRUCTURE	91030	1	91030	1	91030	1	91030	1	91030	1	91030	1		
7	WIPE OUT - SAFETY LATCH	91032	1	91032	1	91032	1	91032	1	91032	1	91032	1		
8	HEX SCREW 3/4 16NF X 2 GR. 5	101000	1	101000	1	101000	1	101000	1	101000	1	101000	1		
9	NYLON NUT 3/4-16NF	101001	1	101001	1	101001	1	101001	1	101001	1	101001	1		
10	FLAT WASHER 3/4" SAE	100512	2	100512	2	100512	2	100512	2	100512	2	100512	2		
11	LOCK NUT 3/8-18 NC	100083	1	100083	1	100083	1	100083	1	100083	1	100083	1		
12	SAFETY RELEASE HANDLE	91091	1	91091	1	91091	1	91091	1	91091	1	91091	1		
13	SAFETY SPRING - CARRIAGE	103004	1	103004	1	103004	1	103004	1	103004	1	103004	1		
14	RUB BLOCK	91033	16	91033	16	91033	16	91033	16	91033	16	91230	16		
15	CHAIN ASSEMBLY	91034	2	91034	2	91034	2	91034	2	91034	2	91266	2		
#	CHAIN	91035	1	91035	1	91035	1	91035	1	91035	1	91223	1		
#	MASTER LINK	91036	2	91036	2	91036	2	91036	2	91036	2	91227	2		
17	CABLE ASSEMBLY	91040	2	91362	2	91040	2	91362	2	91231	2	91267	2		
#	CABLE STRUCTURE	91041	1	91363	1	91041	1	91363	1	91232	1	91268	1		
#	FLAT WASHER 3/4" SAE	100512	2	100512	2	100512	2	100512	2	100512	1	100512	14		
#	NYLON NUT 3/4 -16NF	101001	2	101001	2	101001	2	101001	2	101001	2	101001	2		
18	ARM STRUCTURE LH FRONT	91043	1	91043	1	91098	1	91098	1	91098	1	91270	1		
19	ARM STRUCTURE RH FRONT	91044	1	91044	1	91098	1	91098	1	91098	1	91270	1		
20	ARM STRUCTURE REAR	91050	2	91050	2	91098	2	91098	2	91098	2	91270	2		
21	ARM EXTENSION STRUCTURE	91054	4	91054	4	91054	4	91054	4	91054	4	91274	4		
22	LIFT PAD ASSEMBLY	91058	4	91058	4	91058	4	91058	4	91058	4	N/A			
#	LIFT PAD STRUCTURE	91059	1	91059	1	91059	1	91059	1	91059	1	91278	4		
#	RUBBER PAD	91062	1	91062	1	91062	1	91062	1	91062	1	N/A			
#	SCREW (SPECIAL)	101004	2	101004	2	101004	2	101004	2	101004	2	N/A			
#	HEX NUT 1/4 X 20NC	100131	2	100131	2	100131	2	100131	2	100131	2	N/A			
#	1/4" FLAT WASHER SAE	100065	2	100065	2	100065	2	100065	2	100065	2	N/A			
23	ARM PIN STRUCTURE	91063	4	91063	4	91063	4	91063	4	91063	4	91280	4		
24	LIFT PAD EXTENSION ASSEMBLY - 6"	91092	4	91092	4	91092	4	91092	4	91092	4	91092	4		
#	LIFT PAD EXTENSION STRUCTURE	91093	1	91093	1	91093	1	91093	1	91093	1	91093	1		
#	RUBBER PAD	91062	1	91062	1	91062	1	91062	1	91062	1	91062	1		
#	SCREW (SPECIAL)	101004	2	101004	2	101004	2	101004	2	101004	2	101004	2		
#	HEX NUT 1/4 X 20NC	100131	2	100131	2	100131	2	100131	2	100131	2	100131	2		
#	1/4" FLAT WASHER SAE	100065	2	100065	2	100065	2	100065	2	100065	2	100065	2		
(OPTIONAL)															
	LIFT PAD EXTENSION ASSEMBLY - 4"	91390	4	91390	4	91390	4	91390	4	91390	4	91390	4		
	SAME AS 91092 EXCEPT STRUCTURE IS 91390														
#	ARM RESTRAINT KIT	91065	4	91065	4	91065	4	91065	4	91065	4	91412	4		
25	PIN STR - ARM RESTRAINT	91066	1	91066	1	91066	1	91066	1	91066	1	91413	1		
26	SPRING - ARM RESTRAINT	103002	1	103002	1	103002	1	103002	1	103002	1	103002	1		
27	FLAT WASHER 3/4" SAE	100512	1	100512	1	100512	1	100512	1	100512	1	100512	1		
28	"E" CLIP - 3/4"	103005	1	103005	1	103005	1	103005	1	103005	1	103005	1		
29	BAR STRUCTURE - ARM RESTRAINT	91069	1	91069	1	91069	1	91069	1	91069	1	91069	1		
30	NYLON NUT 3/4-16NF	101001	1	101001	1	101001	1	101001	1	101001	1	101001	1		
61	PLASTIC PROTECTOR CAP	101021	4	101021	4	101021	4	101021	4	101021	4	101021	4		

BASE MODEL		9000A				9000S				9000F		12000S	
LIFT PART NUMBER		90001	90027		90003	90028		90005	90006				
OVERALL HEIGHT		12'-6"	QT	11'-6"	QT	12'-6"	QT	11'-6"	QT	9'-1"	QT	13'-6"	QT
31	CROSSOVER STRUCTURE	91073	1	91073	1	91073	1	91073	1	N/A		91283	1
#	LH POST EXTENSION ASSEMBLY	91077	1	91368	1	91100	2	91364	2	N/A		91285	2
	32 POST EXT. STRUCTURE	91079	1	91369	1	91101	1	91365	1	N/A		91286	1
	34 SHEAVE ASSEMBLY - SMALL	91083	2	91083	2	91083	2	91083	2	N/A		91083	2
	35 FLAT WASHER 1" SAE	100143	2	100143	2	100143	2	100143	2	N/A		100143	2
	36 SNAP RING 5100-1"	103001	2	103001	2	103001	2	103001	2	N/A		103001	2
	38 FLATWASHER 1/2"	100152	1	100152	1	100152	1	100152	1	N/A		100152	1
	39 LOCKWASHER 1/2"	100125	1	100125	1	100125	1	100125	1	N/A		100125	1
	40 HEX NUT 1/2-13NC	100124	1	100124	1	100124	1	100124	1	N/A		100124	1
#	RH POST EXTENSION ASSEMBLY	91078	1	91370	1	91100	2	91364	2	N/A		91285	2
	33 POST EXT. STRUCTURE	91080	1	91371	1	91101	1	91365	1	N/A		91286	1
	34 SHEAVE ASSEMBLY - SMALL	91083	2	91083	2	91083	2	91083	2	N/A		91083	2
	35 FLAT WASHER 1" SAE	100143	2	100143	2	100143	2	100143	2	N/A		100143	2
	36 SNAP RING 5100-1"	103001	2	103001	2	103001	2	103001	2	N/A		103001	2
	38 FLATWASHER 1/2"	100152	1	100152	1	100152	1	100152	1	N/A		100152	1
	39 LOCKWASHER 1/2"	100125	1	100125	1	100125	1	100125	1	N/A		100125	1
	40 HEX NUT 1/2-13NC	100124	1	100124	1	100124	1	100124	1	N/A		100124	1
37	HEX SCREW 1/2 X 13NC X 2 GR. 5	100016	10	100016	10	100016	10	100016	10	100016	10	100016	10
38	FLAT WASHER 1/2"	100152	20	100152	20	100152	20	100152	20	100152	20	100152	20
39	LOCKWASHER 1/2"	100125	10	100125	10	100125	10	100125	10	100125	10	100125	10
40	HEX NUT 1/2-13NC	100124	10	100124	10	100124	10	100124	10	100124	10	100124	10
41	SHUT OFF CABLE	91085	1	91085	1	91085	1	91085	1	N/A		91375	1
42	CABLE CLAMP - SHUT OFF	91086	4	91086	4	91086	4	91086	4	N/A		91086	4
43	CYLINDER ASSEMBLY	91454	2	91454	2	91454	2	91454	2	91454	2	91474	2
44	HYD HOSE 3/8 X 345"	91089	1	91367	1	91089	1	91367	1	91172	1	91290	1
45	HYD HOSE 3/8 X 67"	91090	1	91090	1	91090	1	91090	1	91090	1	91090	1
46	SWIVEL TEE 9/16 X 9/16JIC	105020	1	105020	1	105020	1	105020	1	N/A		105020	1
47	ADAPTER-STRAIGHT 3/8NPT X 9/16JIC	N/A		N/A		N/A		N/A		60052	2	N/A	
48	PIPE NIPPLE 3/8 X 6"	105001	2	105001	2	105001	2	105001	2	105001	1	105001	2
49	PIPE PLUG 3/8" NPT	105002	2	105002	2	105002	2	105002	2	105002	1	105002	2
50	ELBOW 3/8 FEMALE NPT - 9/16 JIC	105003	2	105003	2	105003	2	105003	2	105003	1	105003	2
51	90 DEG. ELBOW-LG 9/16ORB-9/16JIC	N/A		N/A		N/A		N/A		61362	1	N/A	
60	ADAPTER 9/16ORB X 9/16JIC	60544	1	60544	1	60544	1	60544	1	N/A		60544	1
52	ANCHOR BOLT 3/4 X 4-3/4"	95000	10	95000	10	95000	12	95000	12	95000	12	95000	12
53	SHIMS	95001	24	95001	24	95001	24	95001	24	95001	24	95001	24
54	POWER UNIT - O/H 1PHASE 220V	95010	1	95010	1	95010	1	95010	1	95013	1	95010	1
55	HHFL SCREW 5/16 X 18NC X 3/4 GR. 5	100234	4	100234	4	100234	4	100234	4	100234	4	100234	4
56	HH FL NUT 5/16 X 18NC	100237	4	100237	4	100237	4	100237	4	100237	4	100237	4
57	PLASTIC TIE	103015	2	103015	2	103015	2	103015	2	N/A		103015	2
58	FLOOR COVER STRUCTURE	N/A		N/A		N/A		N/A		91103	1	N/A	
59	TOP PLATE ASSEMBLY	N/A		N/A		N/A		N/A		91107	2	N/A	
#	TOP PLATE STRUCTURE	N/A		N/A		N/A		N/A		91108	1	N/A	
#	SHEAVE ASSEMBLY - LARGE	N/A		N/A		N/A		N/A		91014	1	N/A	
#	FLATWASHER 1" SAE	N/A		N/A		N/A		N/A		100143	1	N/A	
#	SNAP RING 5100-1"	N/A		N/A		N/A		N/A		103001	1	N/A	
#	NAME PLATE	62249	1	62249	1	62249	1	62249	1	62249	1	62249	1
#	BAYMASTER DECAL 5X36 MYLAR	95004	1	95004	1	95004	1	95004	1	95004	1	95004	1
#	BEN PEARSON DECAL 5X36 MYLAR	95005	1	95005	1	95005	1	95005	1	95005	1	95005	1
#	PB/800 DECAL 2X5 MYLAR	95006	1	95006	1	95006	1	95006	1	95006	1	95006	1
#	CAUTION DECAL - WEIGHT	95007	2	95007	2	95007	2	95007	2	95007	2	95007	2
#	BLUE TOUCH-UP PAINT (12OZ.) SPRAY	103007	1	103007	1	103007	1	103007	1	103007	1	103007	1
#	YELLOW TOUCH-UP PAINT (12OZ.) SPRAY	103008	1	103008	1	103008	1	103008	1	103008	1	103008	1
#	WARRANTY CARD	83423	1	83423	1	83423	1	83423	1	83423	1	83423	1
#	MANUAL	95050	1	95050	1	95050	1	95050	1	95050	1	95050	1
	# PART NOT SHOWN												