

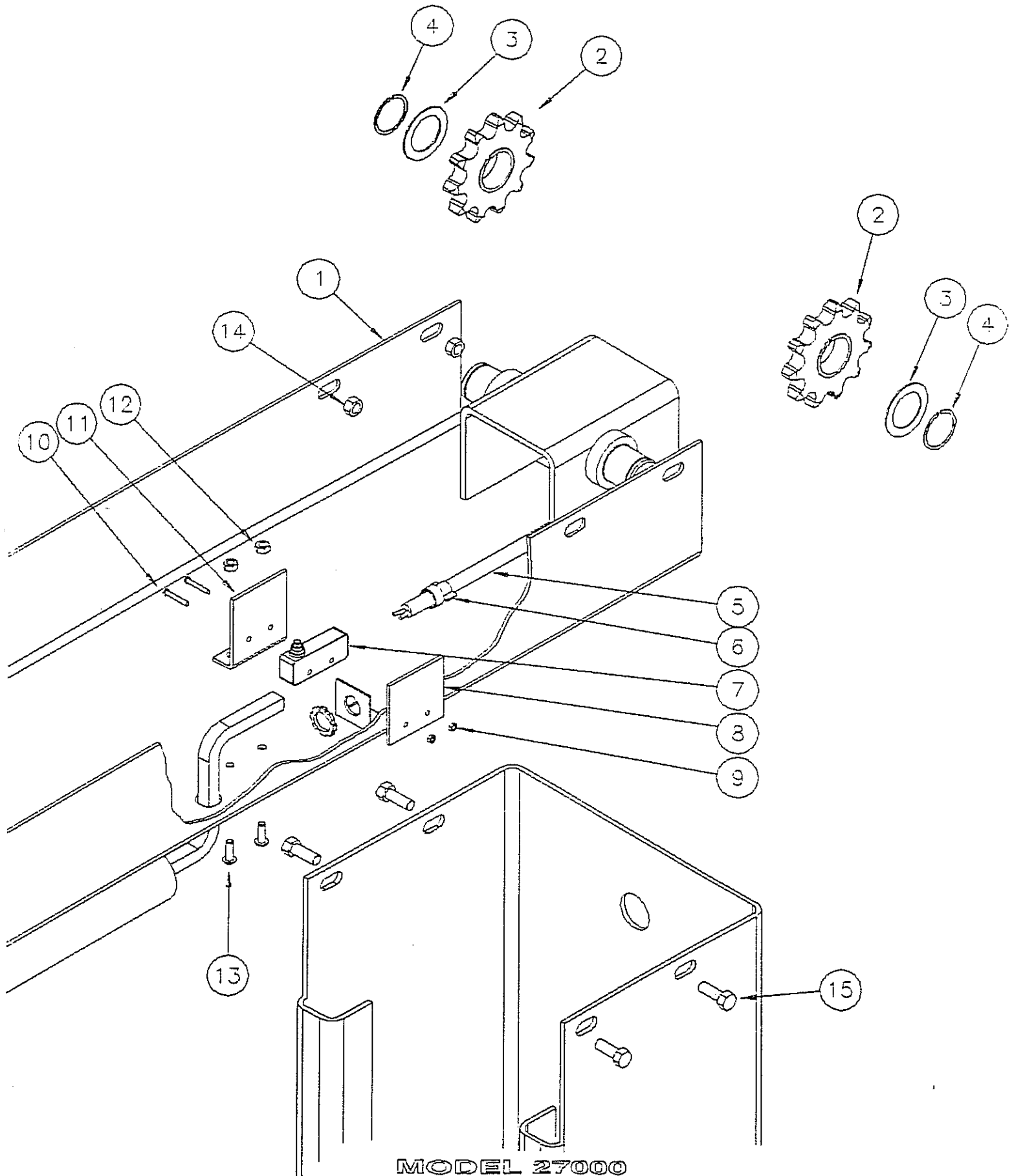
Challenger Lifts
MODEL 27000

**PARTS BREAKDOWN
MODEL 27000**

10/15/96

OVERHEAD ASSEMBLY

ITEM #	PART #	QTY/ASSY.	DESCRIPTION	LIST PRICE
1	27016	1	OVERHEAD WELDMENT	216.31
2	26008	4	SYNCHRONIZING SPROCKET	16.64
3	31020	4	1-3/8 PHOENIX WASHER	0.26
4	31021	4	1-3/8 EXTERNAL SNAP RING	0.33
5	31167	1	LIMIT SWITCH CORD	12.04
6	31060	1	STRAIN RELIEF	0.40
7	31166	1	LIMIT SWITCH	14.42
8	31165	1	CAPTURE PLATE-LIMIT SWITCH	3.68
9	31029	2	#6-32 HEX NUT	0.25
10	31168	2	#6-31 X 1 3/4 PHIL. HD SCREW	0.25
11	31164	1	BRACKET-LIMIT SWITCH	4.18
12	31061	4	1/4-20 KEPS NUT	0.25
13	31062	4	1/4-20 X 3/4 PHIL. PAN HD. SCREW	0.25
14	31038	8	3/8-16 HEX NUT	0.25
15	31035	8	3/8-16 X 1 HEX HEAD BOLT	0.25
16	31129	1	PAD-SHUTOFF BAR	5.00
17	31128	1	SHUTOFF BAR	14.87
18	31063	1	PIVOT BRACKET-SHUTOFF BAR	4.96
	31121	1	LIMIT SWITCH ASSY. (ITEMS: 5,7,8,9,10 & 11)	53.06
	31064	1	SHUTOFF BAR ASSY. (ITEMS: 16 & 17)	17.92



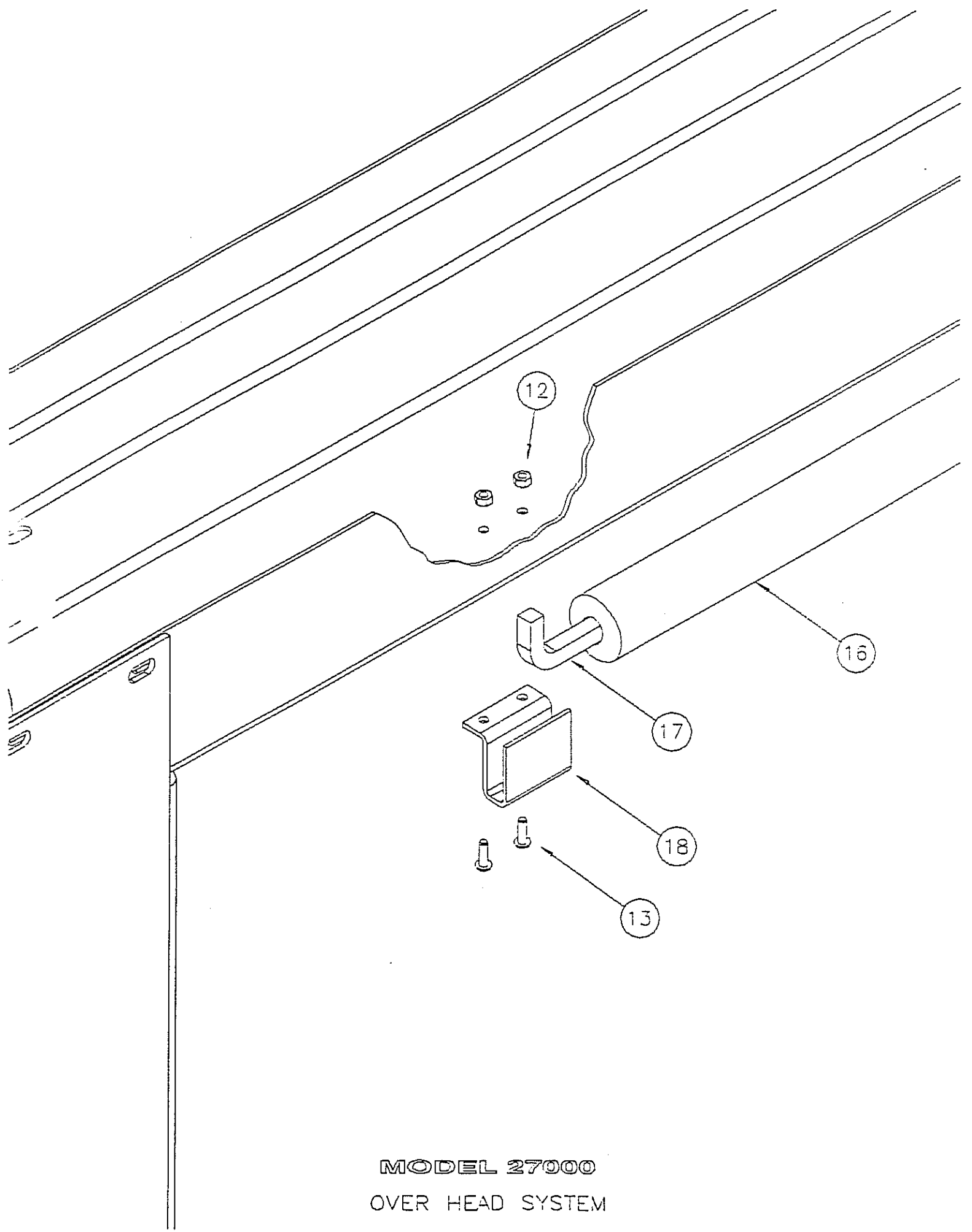
MODEL 27000
OVERHEAD SYSTEM

**PARTS BREAKDOWN
MODEL 27000**

10/15/96

OVERHEAD ASSEMBLY

ITEM #	PART #	QTY/ASSY.	DESCRIPTION	LIST PRICE
1	27016	1	OVERHEAD WELDMENT	216.31
2	26008	4	SYNCHRONIZING SPROCKET	16.64
3	31020	4	1-3/8 PHOENIX WASHER	0.26
4	31021	4	1-3/8 EXTERNAL SNAP RING	0.33
5	31167	1	LIMIT SWITCH CORD	12.04
6	31060	1	STRAIN RELIEF	0.40
7	31166	1	LIMIT SWITCH	14.42
8	31165	1	CAPTURE PLATE-LIMIT SWITCH	3.68
9	31029	2	#6-32 HEX NUT	0.25
10	31168	2	#6-31 X 1 3/4 PHIL. HD SCREW	0.25
11	31164	1	BRACKET-LIMIT SWITCH	4.18
12	31061	4	1/4-20 KEPS NUT	0.25
13	31062	4	1/4-20 X 3/4 PHIL. PAN HD. SCREW	0.25
14	31038	8	3/8-16 HEX NUT	0.25
15	31035	8	3/8-16 X 1 HEX HEAD BOLT	0.25
16	31129	1	PAD-SHUTOFF BAR	5.00
17	31128	1	SHUTOFF BAR	14.87
18	31063	1	PIVOT BRACKET-SHUTOFF BAR	4.96
	31121	1	LIMIT SWITCH ASSY. (ITEMS: 5,7,8,9,10 & 11)	53.06
	31064	1	SHUTOFF BAR ASSY. (ITEMS: 16 & 17)	17.92



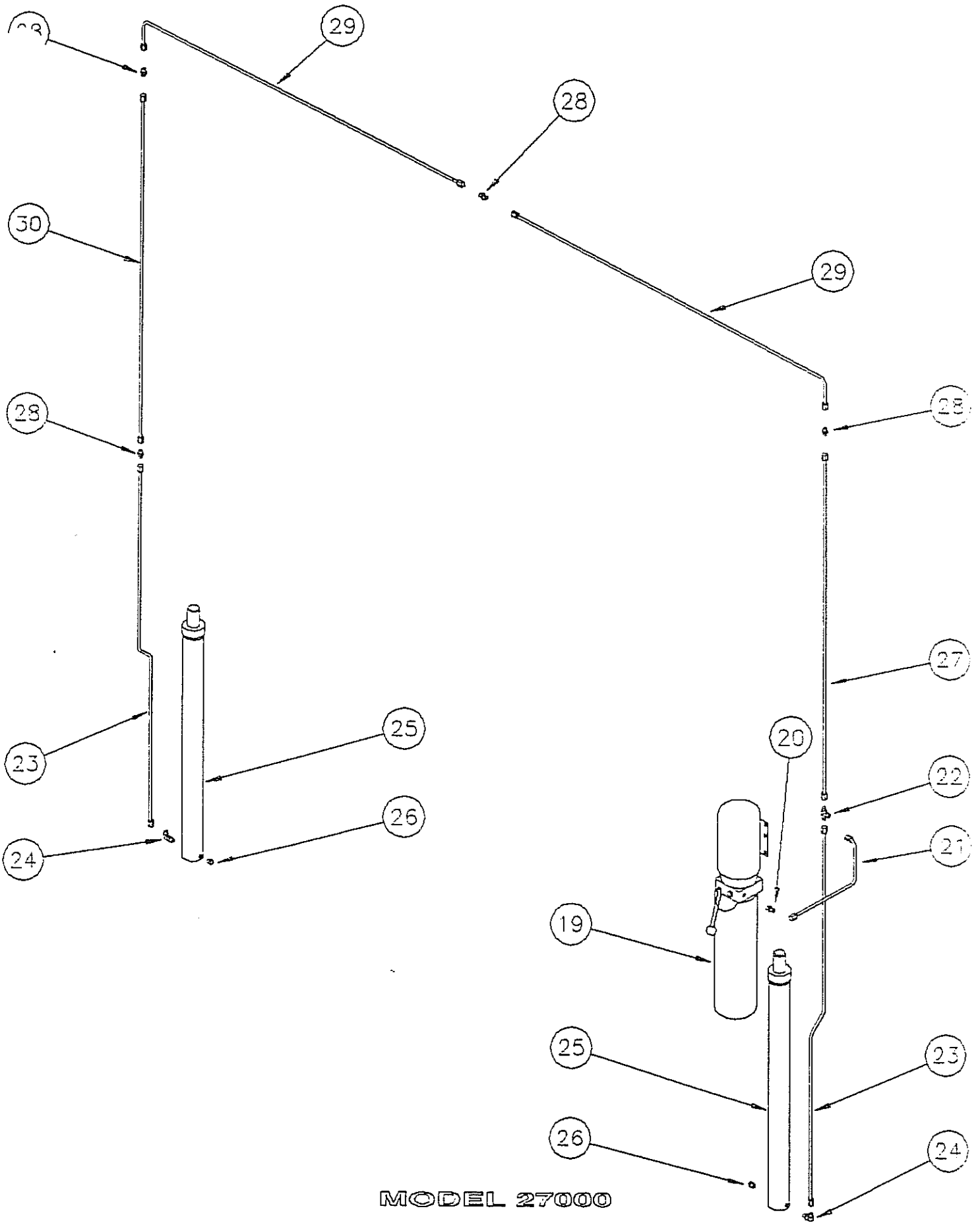
MODEL 27000
OVER HEAD SYSTEM

**PARTS BREAKDOWN
MODEL 27000**

10/15/96

HYDRAULIC SYSTEM

ITEM#	PART#	QTY/ASSY.	DESCRIPTION	LIST PRICE
19	31295-1	1	208/230 V 1 PH. FENNER POWER UNIT	714.66
	31248-1	1	208/230 V 1 PH. BARNES POWER UNIT	719.07
	31296-1	1	230/460 V 3 PH. FENNER POWER UNIT	926.18
	31251-1	1	230/460 V 3 PH. BARNES POWER UNIT	942.93
20	31116	1	UNION "O" RING X TUBE	3.13
21	31298	1	HYD LINE - POWER UNIT (FENNER)	12.61
	31065	1	HYD. LINE - POWER UNIT (BARNES)	9.35
22	31032	1	UNION TEE	9.50
23	31090	2	HYD. LINE - CYLINDER	15.43
24	31089	2	90 DEG. ELBOW "O" RING X TUBE	5.33
25	31265	2	HYD. CYL. 2.5" BORE X 36.6" STROKE - HOLMAC	249.69
	31087	2	HYD. CYL. 2.5" BORE X 36.6" STROKE - ARLINGTON	249.69
26	31088	2	PLUG - 9/16 SAE	1.32
27	31031	1	HYD. LINE - 140" POWER COLUMN	15.43
	27010	1	HYD. LINE - 144" POWER COLUMN	15.43
28	31047	4	UNION - TUBE X TUBE	3.85
29	31066	2	HYD. LINE - OVERHEAD	15.44
30	31031	1	HYD. LINE - IDLER COLUMN	15.43
	27010	1		15.43



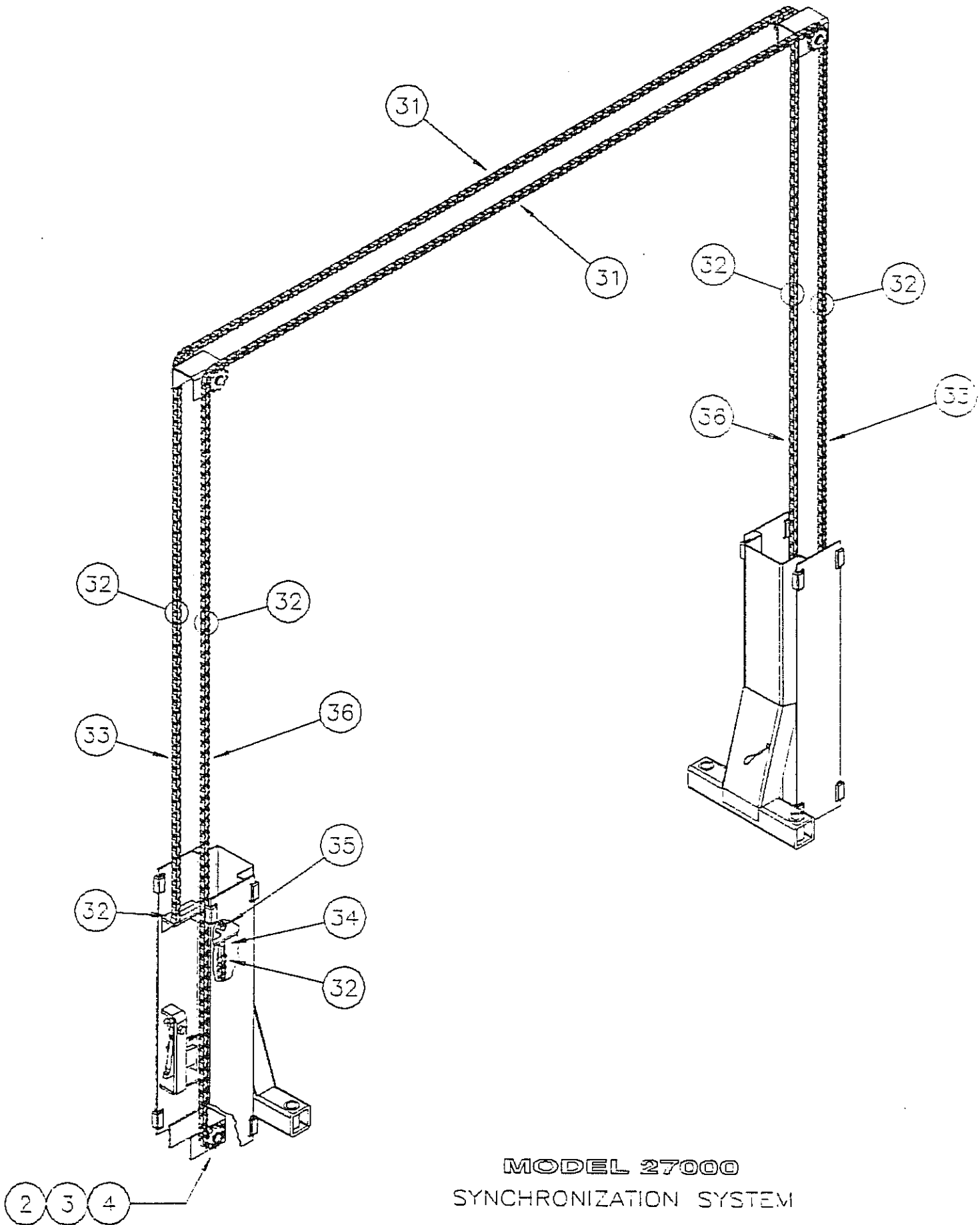
MODEL 27000
HYDRAULIC SYSTEM

**PARTS BREAKDOWN
MODEL 27000**

10/15/9F

SYNCHRONIZATION SYSTEM

ITEM#	PART#	QTY/ASSY	DESCRIPTION	LIST PRICE
2	26008	6	SYNCHRONIZING SPROCKET	16.64
3	31020	6	1-3/8 PHOENIX WASHER	0.26
4	31021	6	1-3/8 EXTERNAL SNAP RING	0.33
31	27124	2	261 PITCH SYNCH CHAIN (140" COL.)	161.06
	27022	2	269 PITCH SYNCH CHAIN (144" COL.)	161.06
32	11035	8	MASTER LINK (#80)	4.02
33	26046	2	28 PITCH SYNCH CHAIN	17.08
34	26054	2	CHAIN ADJUSTMENT LUG	15.33
35	26055	2	7/8-14 ESNA NUT-ADJUSTMENT LUG	1.25
36	27024	2	110 PITCH SYNCH, CHAIN	65.67



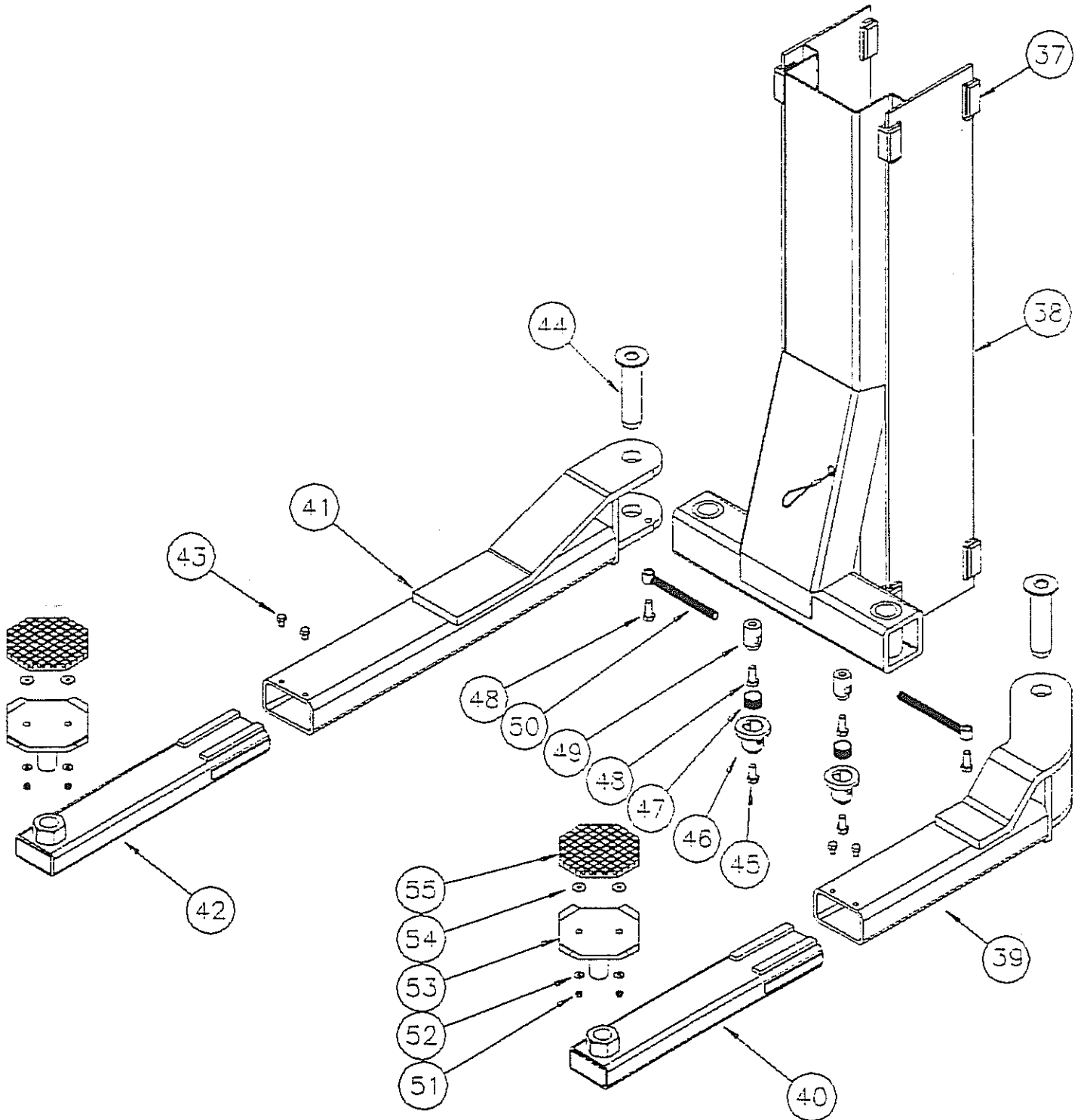
MODEL 27000
 SYNCHRONIZATION SYSTEM

**PARTS BREAKDOWN
MODEL 27000**

10/15/96

CARRIAGE/ARM ASSEMBLY

ITEM#	PART#	QTY/LIFT	DESCRIPTION	LIST PRICE
37	31023	16	SLIDE BLOCK ASSY.	3.40
38	27007	2	CARRIAGE WELDMENT	ON REQUEST
39	39015	1	FEMALE ARM WELD-FRONT LEFT ASY.	141.22
	39016	1	FEMALE ARM WELD-FRONT RIGHT ASY.	141.22
40	39019	2	MALE EXT. ARM WELD-9000# FRONT ASY.	82.01
41	39017	2	FEMALE ARM WELD-REAR ASY.	130.62
42	39018	2	MALE EXT. ARM WELD-9000# REAR ASY.	85.61
43	31305	8	EXTENSION STOP BOLTS 3/8-16 X 3/4	0.52
44	31134	4	ARM PIN	9.42
45	31111	4	1/2-13 X 3/4 HEX BOLT	0.25
46	31107	4	SLEEVE WELD-ARM RESTRAINT	16.28
47	31109	4	COMPRESSION SPRING-ARM RESTRAINT	0.25
48	31112	8	1/2-13 X ALLEN BOLT	0.48
49	31108	4	INSERT-ARM RESTRAINT	5.98
50	31110	4	LINK WELDMENT (6-1/2")	9.71
51	31061	8	1/4-20 KEPS NUT	0.25
52	31115	8	1/4" FLAT WASHER	0.25
53	31133	4	FOOT PAD WELDMENT (3-1/12")	23.65
54	31114	8	1/4" FENDER WASHER	0.25
55	31057	4	RUBBER INSERT	6.49
	39003	1	9000# ASY. ARM PACK (ITEMS: 35,36,37,38,39,40 & 49)	1104.15
	39037	1	9000# RIGHT FRONT ARM (ITEMS: 35,36,39)	236.81
	39036	1	9000# LEFT FRONT ARM (ITEMS: 35,36,39)	236.81
	39038	2	9000# REAR ARM (ITEMS: 37,38,39)	229.07
	11024	4	FOOT PAD SSY. (ITEMS: 47,48,49,50 & 51)	29.95
	11052	4	RUBBER INSERT KIT (ITEMS: 47,48,50 & 51)	7.81
	11108	4	ARM RESTRAINT KIT (ITEMS: 41,42,43,44,45,46)	36.39



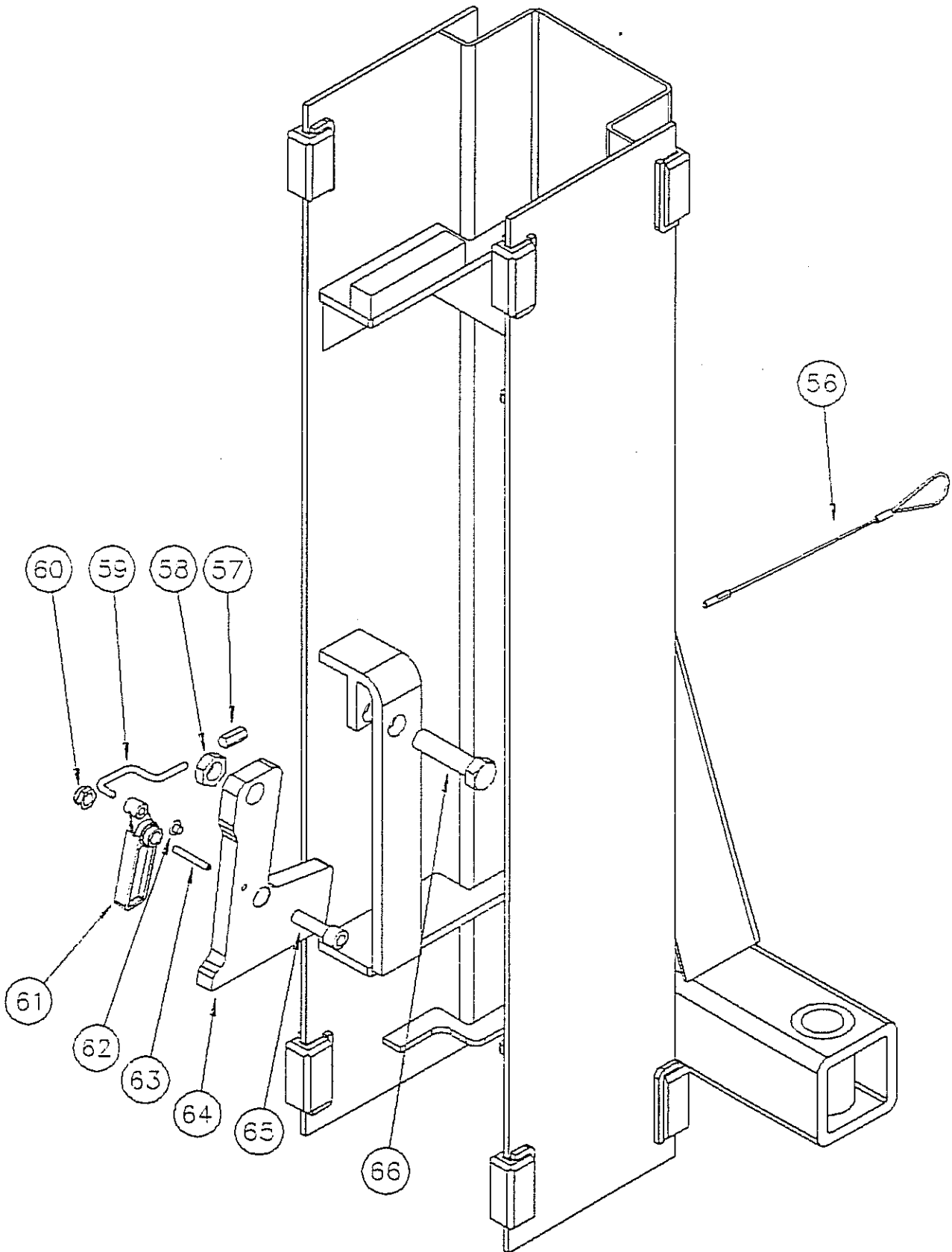
MODEL 27000
CARRIAGE ARM ASSEMBLY

**PARTS BREAKDOWN
MODEL 27000**

10/15/96

LOCKING SYSTEM

ITEM#	PART#	QTY/LIFT	DESCRIPTION	LIST PRICE
56	31150	2	SOFT LATCH CABLE	3.87
57	31149	2	1/4-20 UNION NUT	0.25
58	31082	2	3/4-16 THIN ESNA NUT	0.44
59	31151	2	ATTACHMENT-SOFT LATCH	6.01
60	31267	2	1/2-20 THIN ESNA NUT	0.25
61	31262	2	TRIGGER	8.95
62	485439	2	PUSH NUT 1/4"	0.25
63	31211	2	ROLL PIN 1/4 X 1 3/4	0.25
64	31261	2	GRAVITY LATCH-BLANK	22.14
65	31263	2	1/2-20 X 1 3/4 ALLAN BOLT	0.73
66	31081	2	3/4-16 X 3 HEX BOLT (GR. 8)	0.75
	31083	2	LATCH RELEASE ASSY. (ITEMS: 52,53,55,58)	11.83
	31084	2	GRAVITY LATCH ASSY. (ITEMS: 56,57,59,60,61)	30.87



MODEL 27000
LOCKING SYSTEM

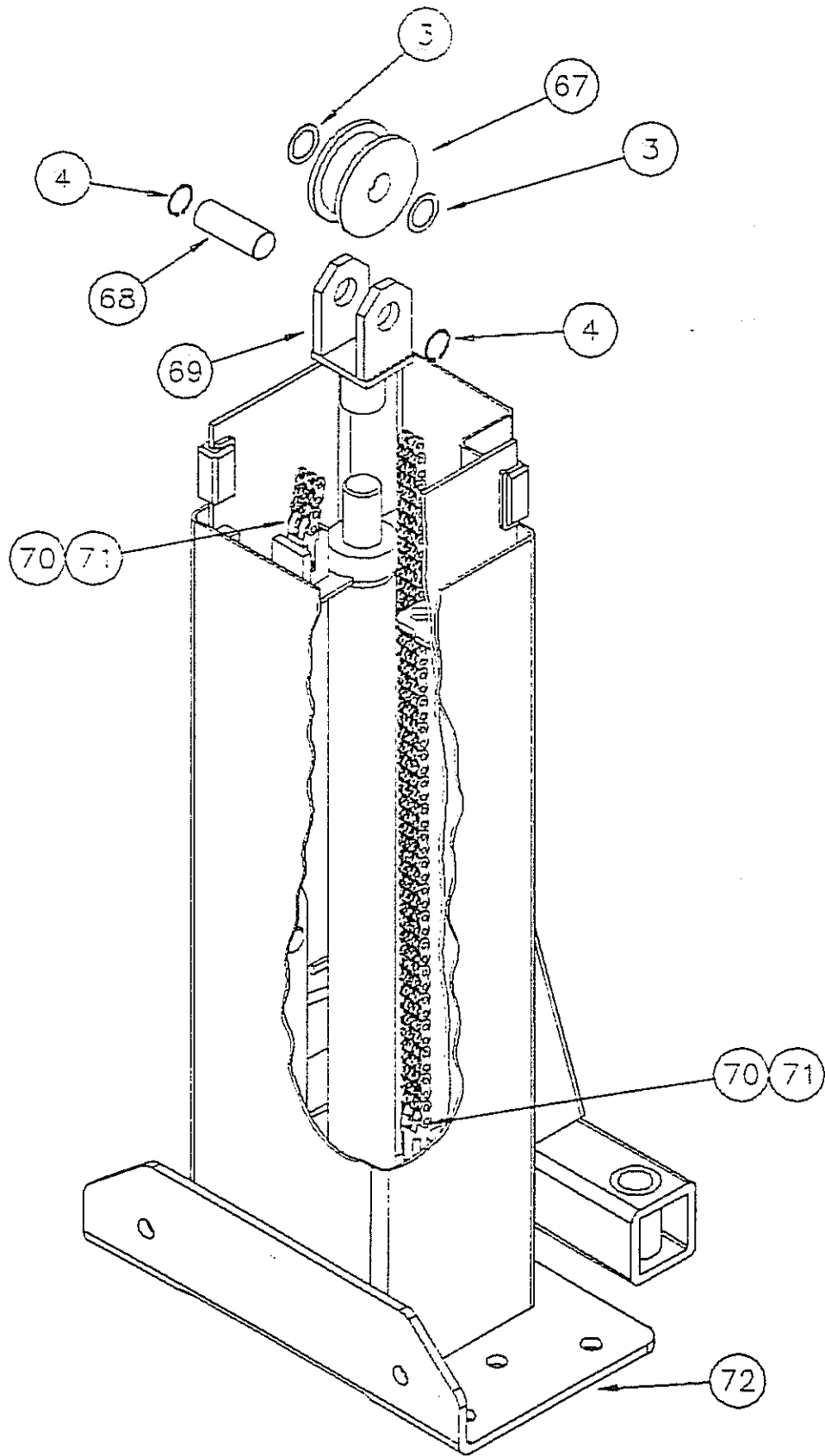
**PARTS BREAKDOWN
MODEL 27000**

10/15/96

LIFTING SYSTEM

ITEM#	PART#	QTY/ASSY.	DESCRIPTION	LIST PRICE
3	31020	2	1-3/8 PHOENIX WASHER	0.26
4	31021	2	1-3/8 EXTERNAL SNAP RING	0.33
67	31095	1	ROLLER-LIFT CHAIN	52.34
68	31093	1	PIN-CHAIN ROLLER	6.58
69	31094	1	CYL. ROD END WELMENT	20.03
70	31297	2	HEADED PIN	0.57
71	31079	1	LIFT CHAIN BL646 X 73	63.51
72	31303	1	COLUMN WELDMENT-POWER	ON REQUEST
	31304	1	COLUMN WELDMENT-IDLER	ON REQUEST
	31033	1	CYLINDER ROD END ASSY.	130.04

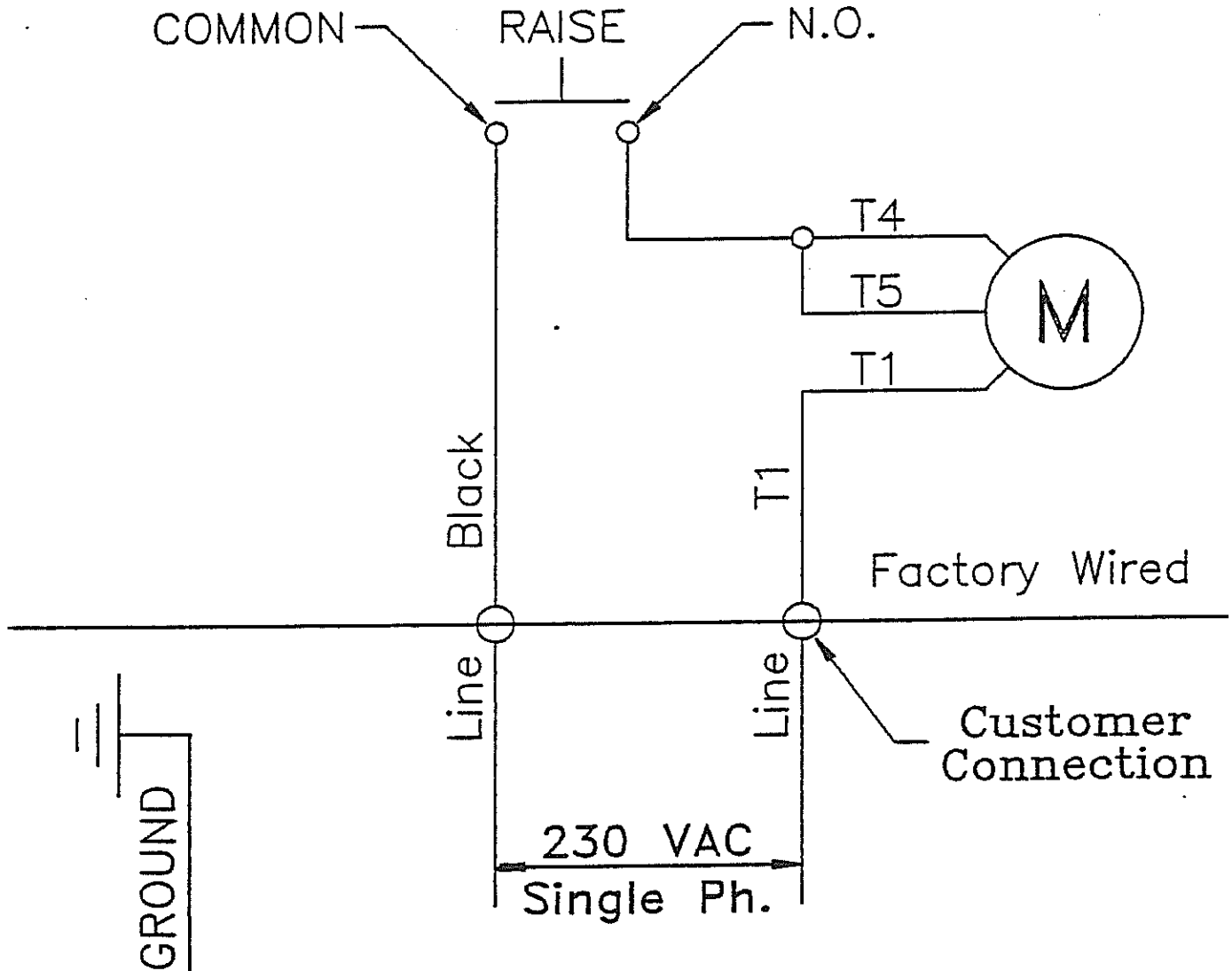
(10/16/06)



MODEL 27000
LIFTING SYSTEM

Wiring Schematic for 230 V. 1 Phase 2-Post & 4-Post Fenner Power Units p/n's 31295-* & 24081

ELECTRIC CIRCUIT

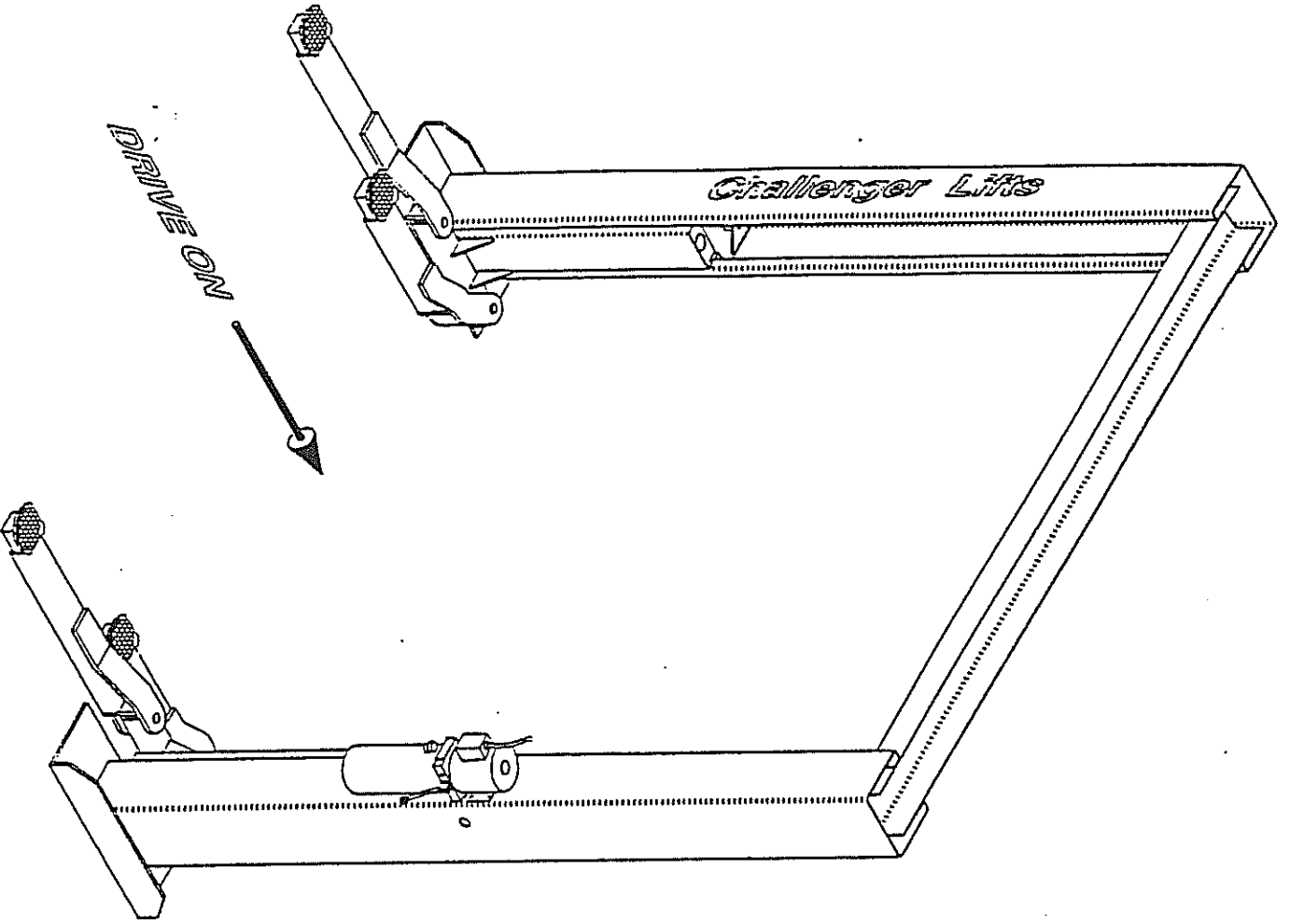


Power Supply



**WARNING - INCORRECT WIRING MAY
REVERSE MOTOR ROTATION**



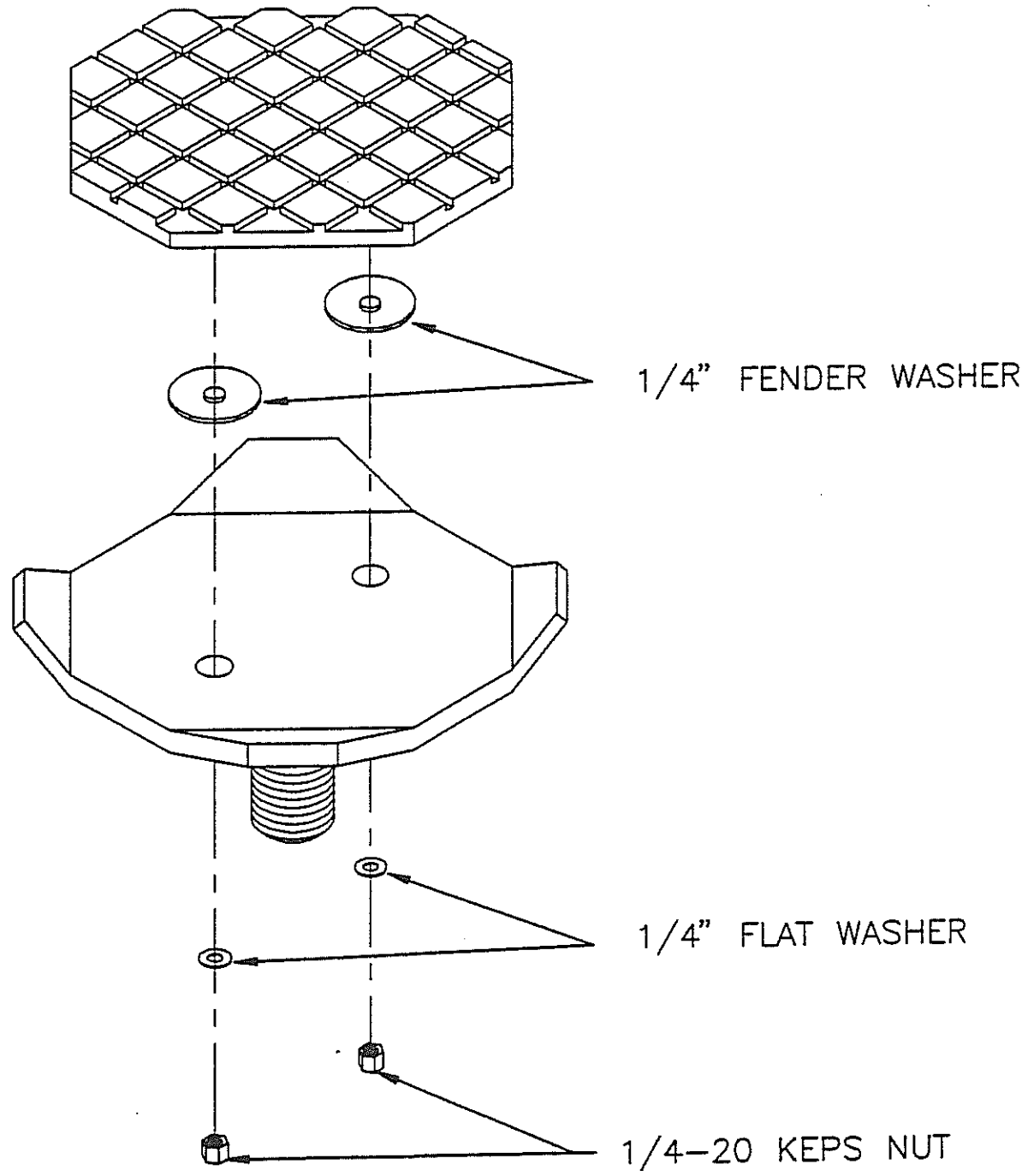


LIFT ORIENTATION

CAUTION

If the lift is not installed in this manner, the arms may damage the power unit during operation!

REV	DATE	CHANGE	DRAFTER
A	2/12/92	CHANGED WASHER SPECS.	



1/4" FENDER WASHER

1/4" FLAT WASHER

1/4-20 KEPS NUT

.XXX = ± .005 .XX = ± .015 FRACTIONS = ± 1/32 ANGLES = ± 1° UNLESS NOTED OTHERWISE	DRAFTER <i>E. Mivelaz</i>	Challenger Lifts	
	CHECKER	1402 W MAIN LOUISVILLE KENTUCKY 40201	
	DESIGNER	TITLE	
	ENGINEER	FOOT PAD ASSEMBLY	
	APPROVAL	SIZE	DATE DRAWN
	MATERIAL	A	7/10/91
NEXT ASSY	2POST USED ON	DWG NO	A-20-01681
		SHEET 1 OF 1	

CHALLENGER LIFTS, INC.
STANDARD COMMERCIAL LIMITED WARRANTY
SURFACE MOUNTED LIFTS

Challenger Lifts, Inc. (CLI) surface mounted lifts are guaranteed to the original owner for five years from the invoice date. CLI shall repair or replace, at CLI option, for the full warranty period those parts returned to the factory (freight prepaid) that prove upon inspection by CLI to be defective. In addition, CLI shall pay for reasonable costs of transportation and labor for replacement of said parts for a period of one year from the invoice date. This warranty shall not apply unless the product is installed, used and maintained according to CLI's specifications set forth in CLI's installation, operation and maintenance instructions. This limited warranty extends only to the original purchaser and is not transferable.

This warranty applies only to surface mounted lifts installed within the boundaries of the continental United States.

Consumable type items are not covered by this warranty.

This warranty does not cover normal maintenance or adjustments, damage or malfunction caused by improper handling, installation, abuse, misuse, negligence, carelessness of operation, or normal wear and tear. In addition, this warranty does not cover equipment when repairs have been attempted or made by anyone other than a CLI authorized service representative.

This warranty is exclusive and is in lieu of all other warranties expressed or implied including any implied warranty of fitness for a particular purpose, which implied warranties are expressly excluded. No employee, agent, representative, dealer or other person or entity is authorized to give any warranties of any nature on behalf of CLI.

The remedies described are exclusive and in no event shall CLI, Inc. be liable for special, consequential or incidental damages for the breach of or delay in performance of the warranty.

This warranty does not apply to CLI Short Rise, Stenhoj or Heavy Duty surface mounted lifts.

This warranty shall be governed by the Commonwealth of Kentucky, and shall be subject to the exclusive jurisdiction of the Court in the Commonwealth of Kentucky in the County of Jefferson.

November 5, 1996

Challenger Lifts, Inc.

* 200 Cabel Street * P.O. Box 3944 * Louisville, Kentucky 40201-3944 *

