

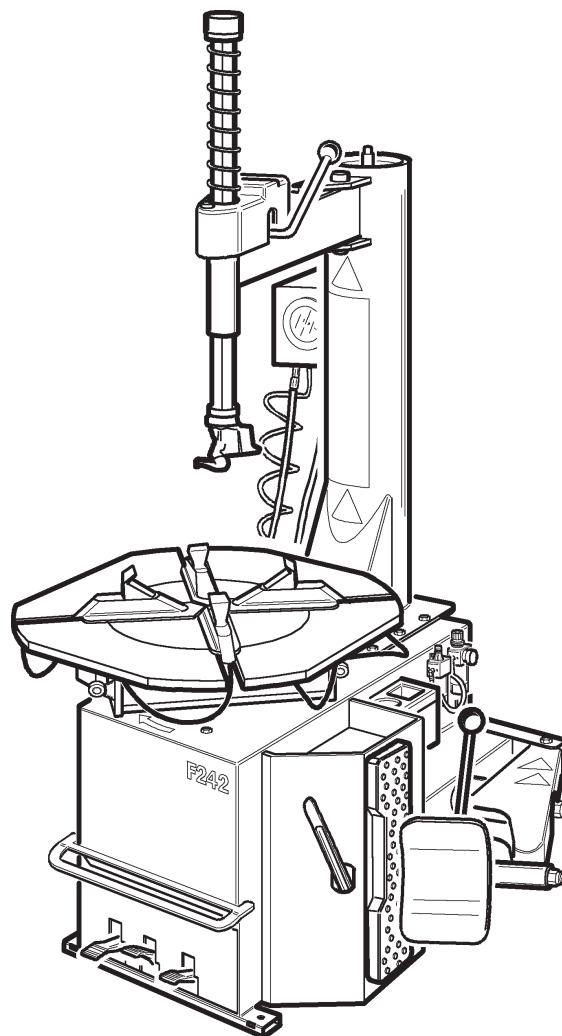


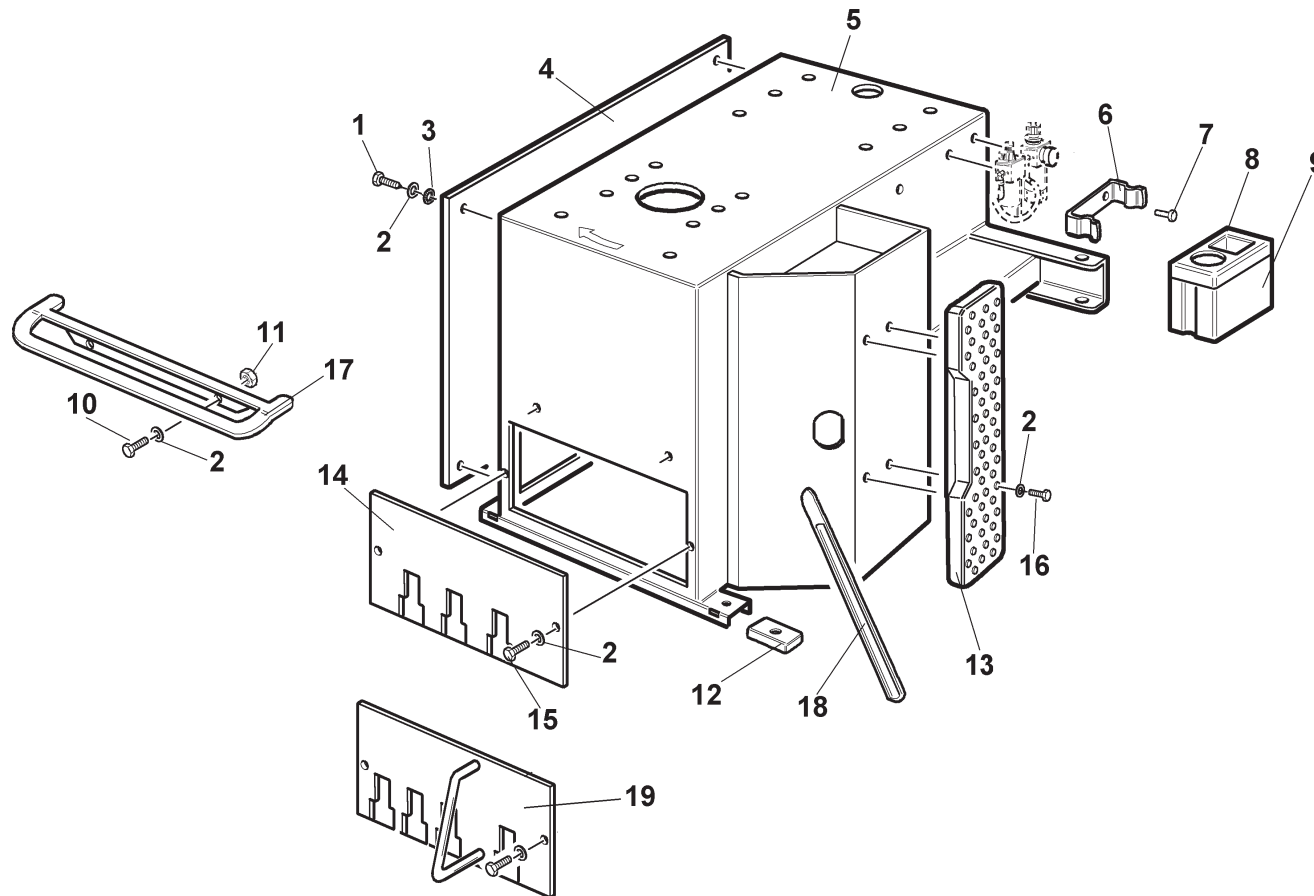
CATALOGO RICAMBI ORIGINALI - ORIGINAL SPARE PARTS

Ed. 06/2007

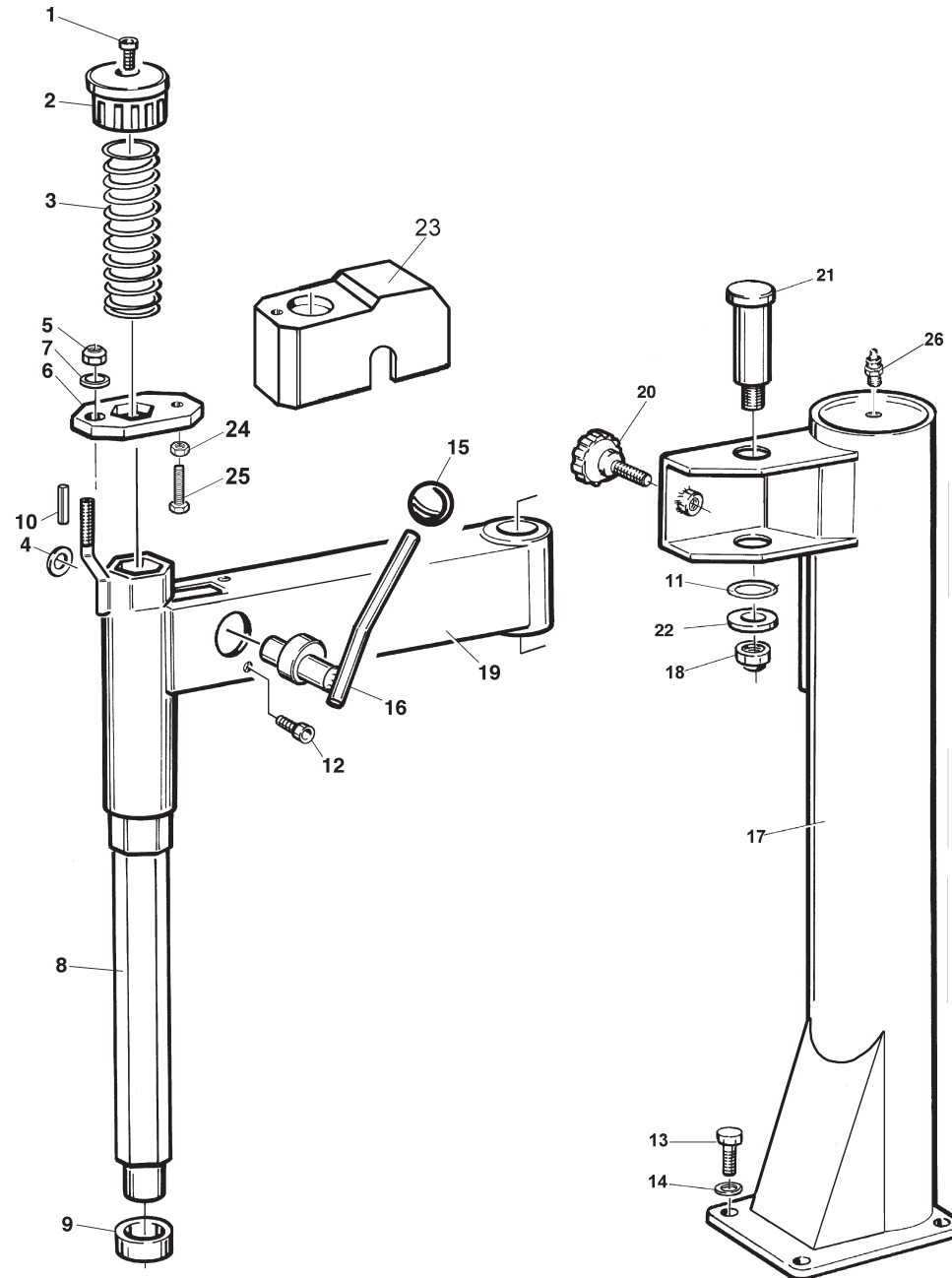
CATALOGUE PIECES D'ORIGINE - ORIGINALSATZTEILE

F242 TI

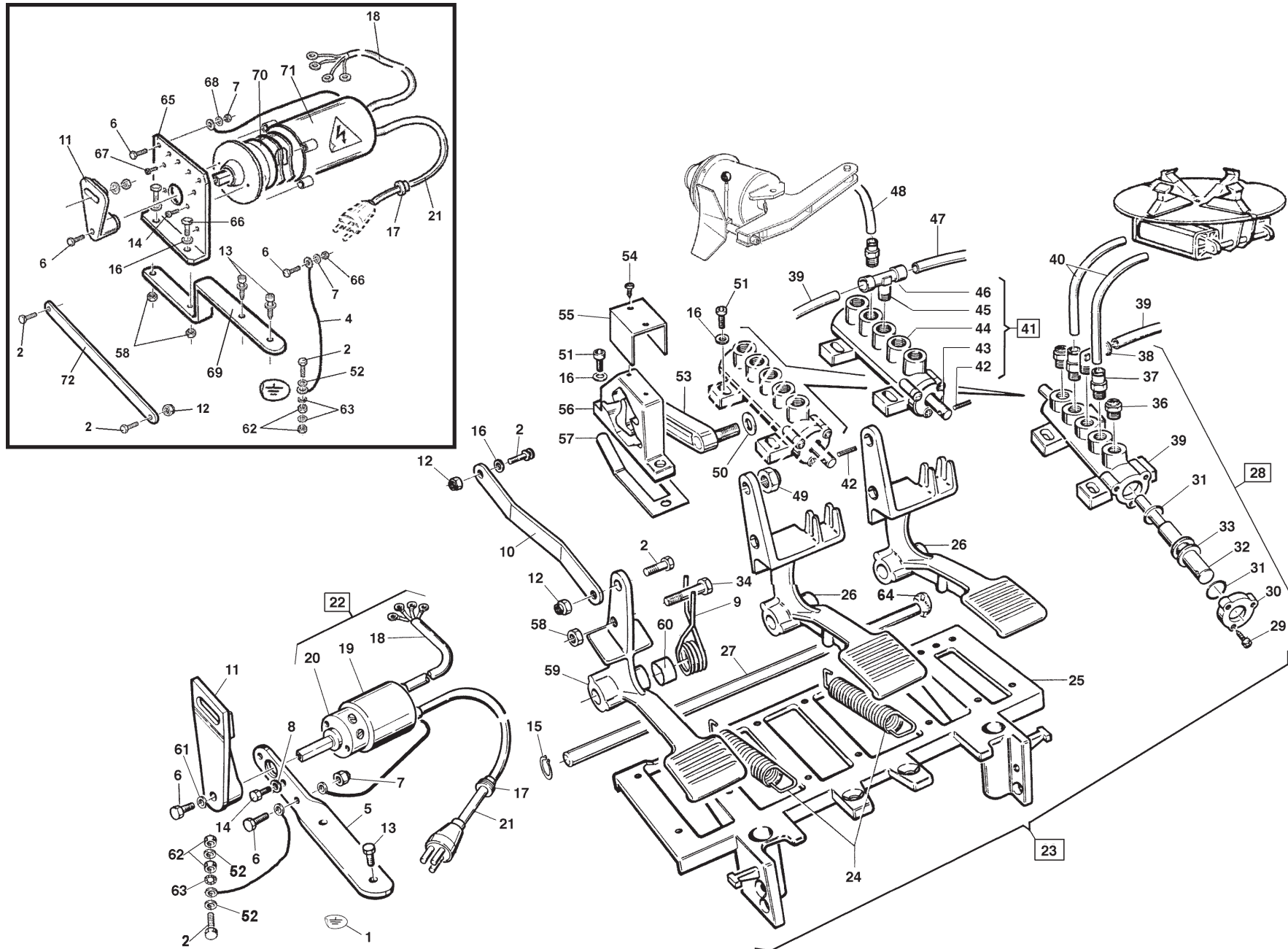




| ref | code | Descrizione | Description | Description UK | Beschreibung DM |
|-----|---------|--------------------------------|----------------------------|---------------------------|-------------------------------|
| 1 | 4398108 | VITE AUTOF. TCEI 6,3x16 ZNT | VIS AUTOTARADEUSE 6,3x16 | SELF-TAPPING SCREW 6,3x16 | BLECHSCHRAUBE 6,3x16 |
| 2 | 4399998 | RONDELLA 6 (6,4x12x1,6) | RONDELLE 6 (6,4x12x1,6) | WASHER 6 (6,4x12x1,6) | BEILAGSSCHEIBE 6 (6,4x12x1,6) |
| 3 | 4399288 | ROND. DEN.ES."A" 6,4x11x0,7 | RONDELLE DENTEE 6,4x11x0,7 | TOOTHED WASHER 6,4x11x0,7 | ZAHNSCHEIBE 6,4x11x0,7 |
| 4 | 2101800 | COPERCHIO LAT. GT | COUVERTURE LATERALE | SIDE COVER | SEITENABDECKUNG |
| 5 | 2111422 | CARCASSA | BATI | SHELL | RAHMEN |
| 6 | 6600920 | SUPPORTO VASO GRASSO -NERO | SUPPORT BOL DE GRAISSE | CUP SUPPORT | SCHMIERBECKENLAGER |
| 7 | 4396491 | RIVETTO D.3,9x15 ALL. | RIVET D.3,9x15 | RIVET D.3,9x15 | NIET D.3,9x15 |
| 8 | 3199755 | COPERCHIO PER VASO GRASSO | COUVERTURE | COVER | ABDECKUNG |
| 9 | 3199756 | VASO PER GRASSO | BOL DE GRAISSE | LUBE CUP | SCHMIERBEHAELTER |
| 10 | 4399892 | VITE TE 6x20 | VIS 6x20 | SCREW 6x20 | SCHRAUBE 6x20 |
| 11 | 4399889 | DADO M 6 | ECROU M6 | NUT M6 | MUTTER M6 |
| 12 | 3002099 | PIEDE IN PLASTICA PER CARCASSA | PIED EN PLASTIQUE | PLASTIC FOOT | PLASTIKFUSS |
| 13 | 3007064 | TAMPONE UNICO IN GOMMA TIPO | TAMPON EN CAOUTCHOUC | RUBBER PAD | GUMMIKLOTZ |
| 14 | 6612452 | SUPP.PEDALIERA 4 PEDALI | SUPPORT PEDALES | PEDAL SUPPORT | PEDALTRAEGER |
| 15 | 4398723 | VITE TE 6x12 8.8 5739 | VIS 6x12 | SCREW 6x12 | SCHRAUBE 6x12 |
| 16 | 4399999 | VITE TCEI M 6x25 | VIS 6x25 | SCREW 6x25 | SCHRAUBE 6x25 |
| 17 | 6612911 | PROTEZIONE PEDALI(C-B) | PROTECTION PEDALES | PEDAL COVER | PEDALSCHUTZ |
| 18 | 3006970 | LEVAALZATALLONI TIPO C | LEVIER DECOLLE-TALONS | BEAD LIFTING LEVER | WULSTABDRUECKHEBEL |
| 19 | 6612080 | SUPP. PEDALIERA 3 PEDALI | SUPPORT PEDALES | PEDAL SUPPORT | PEDALTRAEGER |



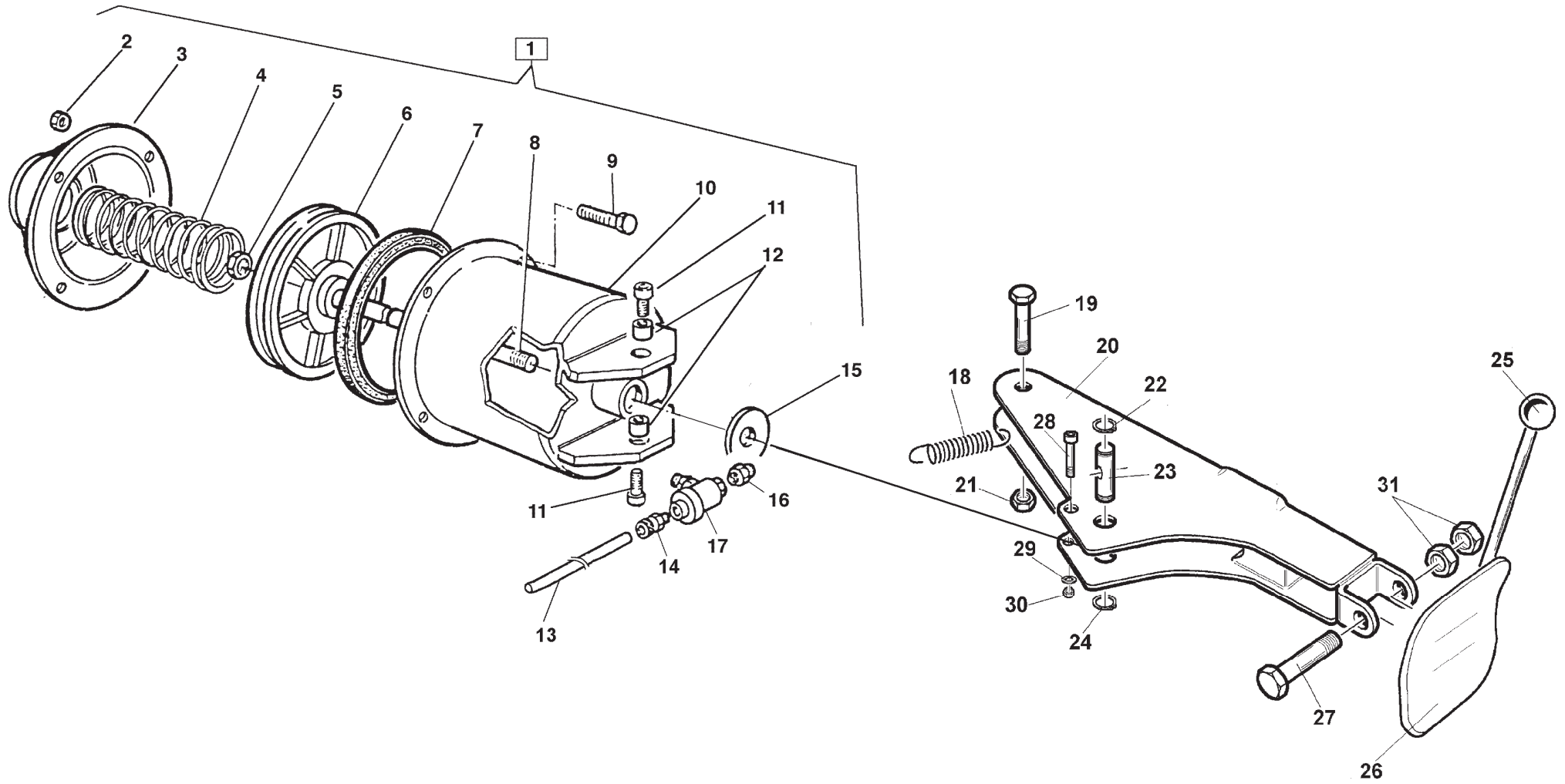
| ref | code | Descrizione | Description | Description | Beschreibung |
|-----|---------|--------------------------------|------------------------------------|------------------------------|---------------------------------|
| 1 | 4399954 | VITE TCEI M 8x20 | VIS 8x20 | SCREW 8x20 | SCHRAUBE 8x20 |
| 2 | 3000055 | POMOLO BRACCIO OPERANTE | POMMEAU BRAS OPERATEUR | OPERATING ARM KNOB | MONTIERARMGRIFF |
| 3 | 3001672 | MOLLA COMPR.BRACCIO OPER.-ZNT | RESSORT | SPRING | FEDER |
| 4 | 4398807 | RONDELLA 14 (15x28x2,5)ZNT6592 | RONDELLE 14 (15x28x2,5) | WASHER 14 (15x28x2,5) | BEILAGSSCHEIBE 14 (15x28x2,5) |
| 5 | 4399971 | DADO AUTOBL.M10 BASSO | ECROU DE VERROUILLAGE M10 | SELF-LOCKING NUT M10 | SELBSTSICHERNDE MUTTER M10 |
| 6 | 3000085 | PIASTRA BLOC. BR.OP.-BRUN. | PLAQUE BLOCAGE BRAS | ARM LOCKING PLATE | ARMSPANNPLATTE |
| 7 | 4398633 | RONDELLA 10 (10x18x2) ZNT 1750 | RONDELLE 10 (10x18x2) | WASHER D.10 (10x18x2) | BEILAGSSCHEIBE 10 (10x18x2) |
| 8 | 3000049 | BRACCIO OP.E.36 L=565 | BRAS HEXAGONAL D.36 L=565 | HEXAGONAL ARM D. 36 L=565 | SECHSKANTARM D.36 L=565 |
| 9 | 3002601 | AMMORTIZ. TORRETTA ES.41 | AMORTISSEUR OUTIL DE MONTAGE | MOUNTING TOOL SHOCK ABSORBER | MONTIERWERKZEUGSTOSSDAEMPFER |
| 10 | 4398783 | SPINA ELASTICA D.4x24 6874 | CHEVILLE ELASTIQUE D.4x24 | ELASTIC PIN D.4x24 | FEDERSTIFT D.4x24 |
| 11 | 4397898 | RASAMENTO ACCIAIO 25X50X0,5 | CALE EN ACIER 25x50x0,5 | STEEL SHIM 25x50x0,5 | STAHLZWISCHENLAGE 25x50x0,5 |
| 12 | 4399964 | VITE TCEI M 6x10 | VIS 6x10 | SCREW 6x10 | SCHRAUBE 6x10 |
| 13 | 4399877 | VITE TE 10x60 | VIS 10x60 | SCREW 10x60 | SCHRAUBE 10x60 |
| 14 | 4399378 | RONDELLA 10 | RONDELLE D.10 | WASHER D.10 | BEILAGSSCHEIBE 10 |
| 15 | 4299952 | POMOLO D.12 | POMMEAU D.12 | KNOB D.12 | KUGELGRIFF D.12 |
| 16 | 2107085 | LEVA BLOCCAGGIO B.O. | LEVIER DE BLOCAGE BRAS | ARM LOCKING LEVER | ARMSPERRHEBEL |
| 17 | 8012890 | PALO VERTICALE GT | BRAS VERTICAL GT | GT VERTICAL ARM | SENKRECHTER ARM GT |
| 18 | 4399963 | DADO AUTOBL.M16 BASSO | ECROU DE VERROUILLAGE M16 | SELF-LOCKING NUT M16 | SELBSTSICHERNDE MUTTER M16 |
| 19 | 6607084 | PALO ORIZZONTALE | BRAS HORIZONTAL | HORIZONTALARM | WAAGERECHTER ARM |
| 20 | 3000487 | VOLANTINO M16 V1/70/V-M16X100 | VOLANT | HANDWHEEL | HANDRAD |
| 21 | 3007065 | PERNO FULCRO BRACCIO | PIVOT | TRUNNION | DREHZAPFEN |
| 22 | 3007352 | RONDELLA 20,5X50X6 | RONDELLE 20,5x50x6 | WASHER 20,5x50x6 | BEILAGSSCHEIBE 20,5x50x6 |
| 23 | 3012631 | CARENAT.P.ORIZ.8020-ABS NERO | BATI BRAS | ARM FRAME | ARMGESTELL |
| 24 | 4399967 | DADO M10 6S BASSO | ECROU M10 | NUT M10 | MUTTER M10 |
| 25 | 4398900 | VITE OTTONE TE M10x25 5739 | VIS EN LAITON M10X25 | BRASS SCREW 10x25 | MESSINGSCHRAUBE 10x25 |
| 26 | 4199189 | VALV.SIC.1/4"0/12 BAR+RIV+CAPP | SOUPAPE DE SECURITE" 1/4" 0/12 BAR | SAFETY VALVE 1/4" 0/12 BAR | SICHERHEITSVENTIL 1/4" 0/12 BAR |



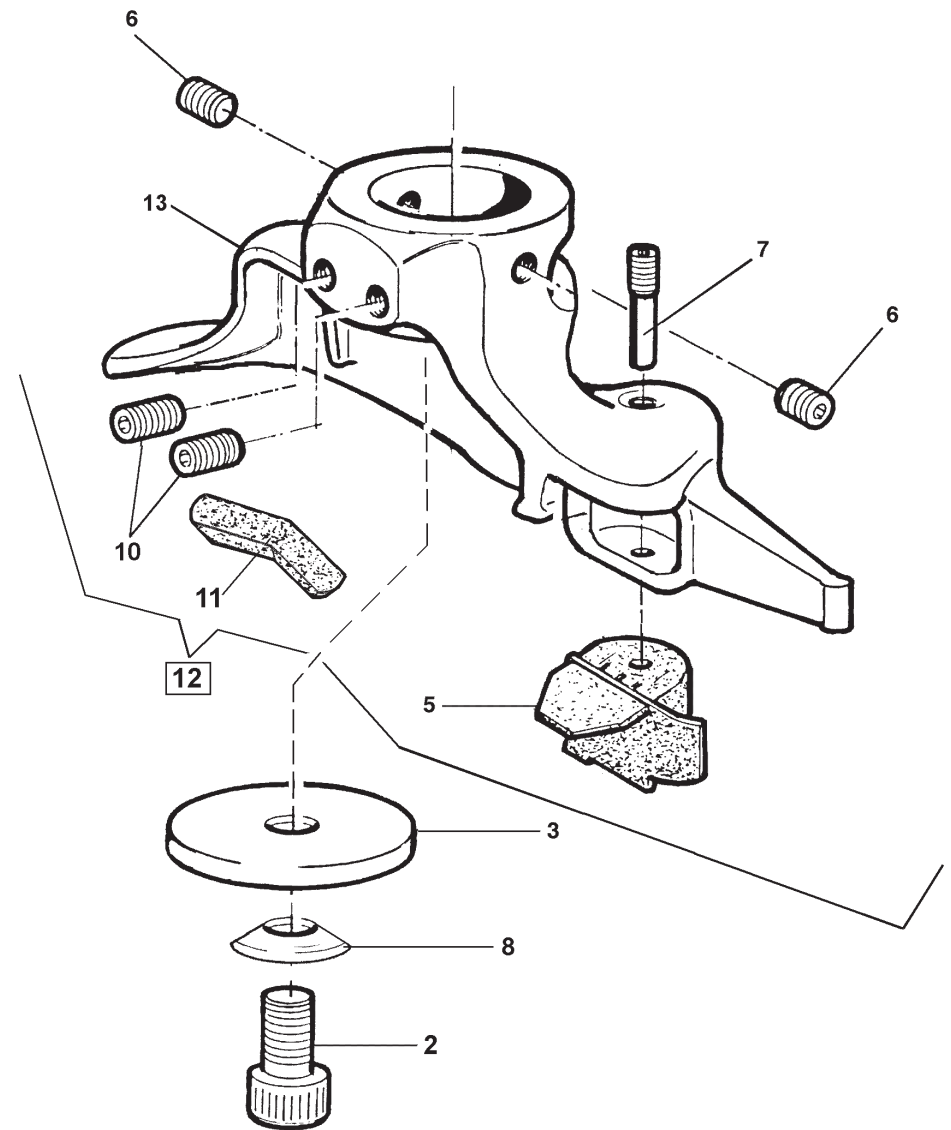
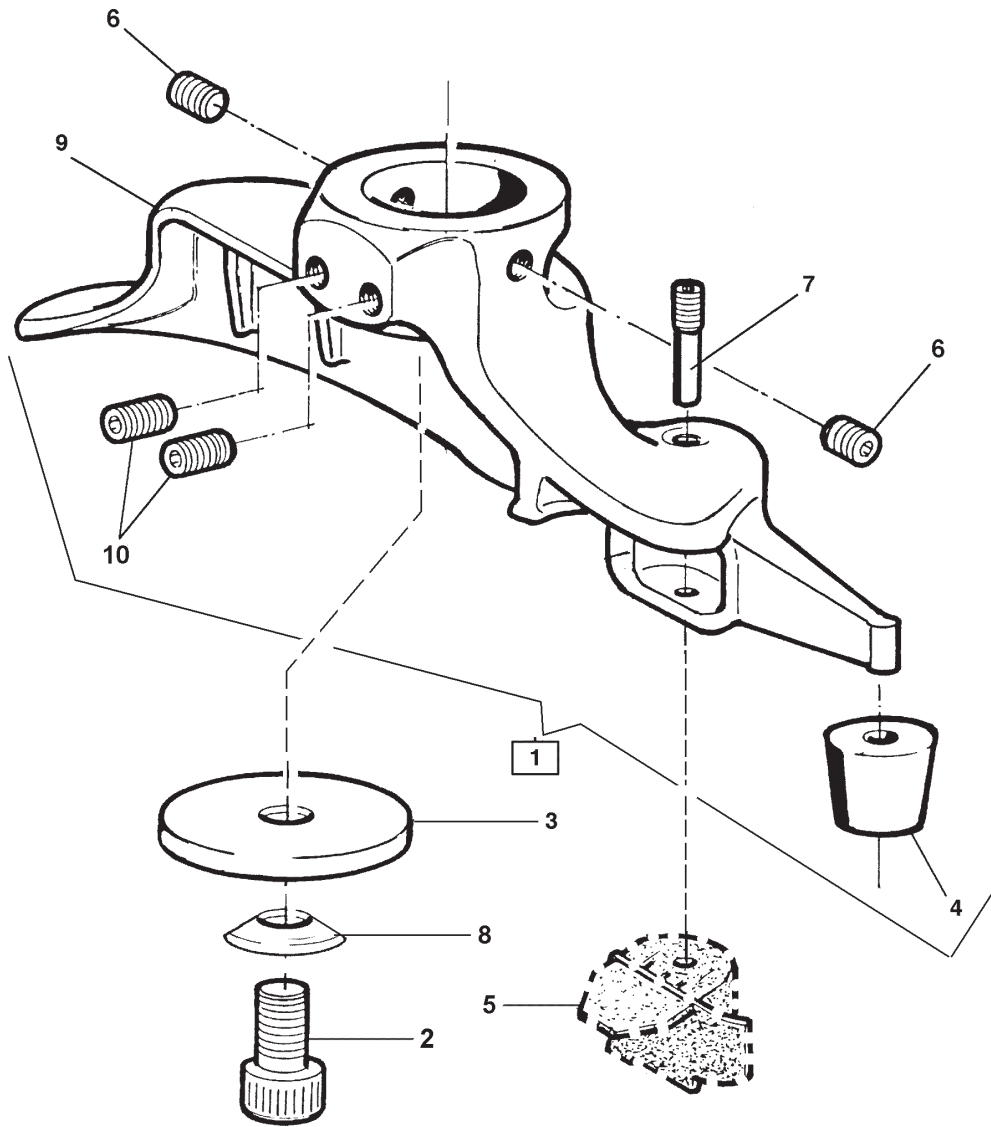
| | | | | | |
|----|-----------|--------------------------------|--------------------------------|----------------------------|-------------------------------|
| 1 | 3005604 | DECALCO BOLLINO PE 27552 BSO | DECALCOMANIE | STICKER | ABZIEHBILD |
| 2 | 4399892 | VITE TE 6x20 8.8 5739 | VIS M6x20 - 8.8 | SCREW M6x20 - 8.8 | SCHRAUBE M6x20 - 8.8 |
| 3 | 4398848 | RONDELLA 6 (6,6x18x1,5)ZNT6593 | RONDELLE 6 (6,6x18x1,5) | WASHER 6 (6,6x18x1,5) | SCHEIBE 6 (6,6x18x1,5) |
| 4 | 2006040 | CAVETTO TERRA SMTG AUTO L=340 | CABLE DE TERRE | GROUND CABLE L=340 | MASSEDRAHT L=340 |
| 5 | 3002445 | STAFFA SUPPORTO INVERT.-ZNT | ETRIER DE SUPPORT | SUPPORT | WECHSLERSTUETZE |
| 6 | 4399905 | VITE TE 4x12 8.8 5739 | VIS M4x12 - 8.8 | SCREW M4x12 8.8 | SCHRAUBE M4x12 8.8 |
| 7 | 4399996 | DADO M 4 6S ALTO ZNT 5587 | ECROU M4 6S | NUT M4 6S | MUTTER M4 6S |
| 8 | 4399045 | ROND. DEN.ES.IN. 3,2x12x0,5 | RONDELLE 3,2x12x0,5 | TOOTHED WASHER 3,2x12x0,5 | ZAHNSCHEIBE 3,2x12x0,5 |
| 9 | 3000142 | MOLLA COMANDO PEDALE | RESSORT COMMANDE PEDALE | PEDAL CONTROL SPRING | FEDER |
| 10 | 3002447 | BIELLA COM.INVERT.SAGOM.-ZNT | BIELLE | CONNECTING ROD | PLEUELSTANGE |
| 11 | 3000175 | LEVA INVERTITORE | LEVIER D'INVERSEUR | REVERSER LEVER | WECHSLERHEBEL |
| 12 | 4399893 | DADO AUTOBL.M 6 BASSO.6S. 7474 | ECROU A' BLOCAGE AUTOM. M6 | SELF-LOCKING NUT M6 | SELBSTSICHERNDE MUTTER M6 |
| 13 | 4398273 | VITE AUTOF. TCEI 5,5x19 | VIS AUTOTARADEUSE TCEI 5,5x19 | SELF-TAPPING SCREW 5,5x19 | BLECHSCHRAUBE 5,5x19 |
| 14 | 4399044 | VITE TCEI M 3x12 12.9 5931 | VIS 3x12 12,9 | SCREW 3x12 12,9 | SCHRAUBE 3x12 12.9 |
| 15 | 4399864 | ANELLO SEEGER E D.12 7435 | BAGUE SEEGER D.12 | SEEGER RING D.12 | SEEGER-RING D.12 |
| 16 | 4399998 | RONDELLA 6 (6,4x12x1,6)ZNT6592 | RONDELLE 6 (6,4x12x1,6) | WASHER 6 (6,4x12x1,6) | SCHEIBE 6 (6,4x12x1,6) |
| 17 | 4599986 | BLOCCAPASSAC.RETT.D.9 SB7 R/3 | ARRET DE PASSE-CABLE D.9 | CABLE HOLDER D.9 | KABELDURCHGANG/SPERRE D.9 |
| 18 | 2001171 | CAVO COLL.MOT.-INV. 3PH L=760 | CABLE DE CONNEXION L=1500 | CONNECTING CABLE L=1500 | VERBINDUNGSKABEL L=1500 |
| 18 | A 2000525 | CAVO COLL.MOT.-INV. 1PH L=750 | CABLE CONNEX. MOTEUR-INVERSEUR | CONNECTING CABLE | VERBINDUNGSKABEL |
| 19 | 3000173 | PROTEZIONE INVERTITORE PICCOLA | PROTECTION INVERSEUR | REVERSER COVER | WECHSLERSCHUTZ |
| 19 | A 3000174 | PROTEZIONE INVERTITORE GRANDE | COUVERCLE INVERSEUR 1 PH | REVERSER COVER | WECHSLERSCHUTZ |
| 20 | 4598960 | INVERTITORE 20A SERIE 13 | INVERSEUR | REVERSER | WECHSLER 20A SERIE 13 |
| 20 | A 4599915 | INVERTIT. 1PH 25A. VS.108-51C | INVERSEUR 1PH 25A. | 1PH REVERSER 25A. | 1PH WECHSLER 25A. |
| 21 | 2001512 | CAVO ALIMENT. 3PH L=3110 | CABLE ALIMENTATION 3PH | 3PH FEEDING CABLE | 3PH - SPEISEKABEL |
| 21 | A 2000526 | CAVO ALIMENT. 1PH L=3600 | CABLE D'ALIMENTATION 1 PH | 1PH FEEDING CABLE | EINPHASIGER SPEISEKABEL |
| 22 | 2000517 | GR.INVERTITORE TRIFASE 20A | INVERSEUR 3 PH (COMPLET) | 3PH REVERSER UNIT | 3PH-WECHSLER |
| 22 | A 2004534 | GR.INVERTITORE MONOFASE 25A | INVERSEUR 1PH 24A | REVERSER SINGLE-PHASE 25A | WECHSLER 1PH |
| 23 | 2002356 | PEDALIERA SEMIAUT. D.8 LEGA | PEDALIER | PEDAL CONTROL UNIT | PEDALEINHEIT |
| 24 | 3006773 | MOLLA RICH.PEDALE D.15x108x2,2 | RESSORT RAPPELLE-PEDALE 14x110 | PEDAL RETURN SPRING 14x110 | PEDALRUECKZUGFEDER 15x108x2,2 |
| 25 | 3002161 | BASAMENTO PEDALIERA | BASE DU PEDALIER | PEDAL BOX BASE | PEDALSITZ |
| 26 | 3002159 | PEDALE COM. AUTOC./STALL. ALL. | PEDALE DE COMMANDE | PEDAL | ZENTRIERTISCHPEDAL |
| 27 | 3003094 | PERNO ALLINEAMENTO PED.L.278,5 | AXE ALIGNEM. PEDALES L=280 | PEDALS ALIGNMENT PIN L=280 | STIFT L=278,5 |
| 28 | 2002529 | GR.VALVOLAAUTOC.SEMIAUT.LINEA | SOUPAPE | VALVE UNIT | VENTIL |
| 29 | 4398999 | VITE AUTOF. TCIC 3,5x13 6954 | VIS AUTOTARADEUSE 3,5x13 | SELF-TAPPING SCREW 3,5x13 | BLECHSCHRAUBE 3,5x13 |

| | | | | | |
|----|---------|--------------------------------|----------------------------|-------------------------------|------------------------------|
| 30 | 3001585 | FLANGIA X VALVOLA 3001583 | BRIDE POUR SOUPAPE 3001583 | FLANGE for VALVE 3001583 | FLANSCH |
| 31 | 4299000 | ANELLO OR 9,8x3,85 | JOINT OR 9,8x3,85 | O-RING 9,8x3,85 | O-RING 9,8x3,85 |
| 32 | 3002442 | PERNO X VALVOLA GRIFFE/RIBALT. | AXE | VALVE PIN | STIFT |
| 33 | 3001584 | DISTANZIALE X VALVOLA 3001583 | ENTRETOISE | SPACER FOR VALVE 3001583 | ABSTANDSSTUECK |
| 34 | 4397649 | VITE TE 6x50 8.8 PF ZNT 5737 | VIS TE 6x50 8.8 | SCREW 6x50 8.8 | SCHRAUBE 6x50 8.8 |
| 35 | 3001583 | VALVOLA DISTRIB.-SENZA CHIAVET | SOUPAPE DISTRIBUTION | DISTRIBUTION VALVE | VENTIL |
| 36 | 4199843 | REGOL.SCAR.SILENZ.SVE 1/8" | REGLAGE SILENCIEUX 1/8" | SILENCER OUTLET ADJUSTER 1/8" | ABLASSAUSTEILER 1/8" |
| 37 | 4198954 | RACCORDO 6510 1/8"-8 S.RAPIDO | RACCORD RAPIDE 6510 1/8"-8 | QUICK UNION 6510 1/8"-8 | SCHNELLANSCHLUSS 6510 1/8"-8 |
| 38 | 4198990 | RACCORDO 6500 1/8"-8 S.RAPIDO | RACCORD RAPIDE 6500 1/8"-8 | QUICK UNION 6500 1/8"-8 | SCHNELLANSCHLUSS 6500 1/8"-8 |
| 39 | 3002446 | TUBO RILSAN D. 8X6 L=100 | TUYAU RILSAN D.8/6 L=100 | RILSAN HOSE D.8/6 L=100 | SCHLAUCH D.8x6 L=100 |
| 40 | 3099335 | TUBO RILSAN D. 8X6 L=750 | TUYAU RILSAN D.8x6 L=740 | RILSAN HOSE D.8x6 L=750 | SCHLAUCH D.8x6 L=750 |
| 41 | 2002528 | GR.VALVOLA STALL.IN LINEA | SOUPAPE | VALVE UNIT | VENTIL |
| 42 | 4398783 | SPINA ELASTICA D.4x24 6874 | GOUPILLE D.4x24 | SPRING PIN D.4x24 | FEDERSTIFT D.4x24 |
| 43 | 3002443 | PERNO X VALVOLA PEDALE STALL. | AXE | PIN | STIFT |
| 44 | 2002444 | GR.VALVOLA LINEA SENZA PERNO | GROUPE SOUPAPE SANS GOUJON | VALVE UNIT WITHOUT PIN | VENTIL |
| 45 | 4198778 | RACCORDO 6410 1/8"-8 S.RAPIDO | RACCORD 6410 1/8" - 8 | UNION 6410 1/8" - 8 | ANSCHLUSS 6410 1/8" - 8 |
| 46 | 4198993 | RACCORDO 6510 1/8"-6 S.RAPIDO | RACCORD 6510 1/8"-6 RAPIDE | QUICK UNION 1/8"-6 | SCHNELLANSCHLUSS 1/8"-6 |
| 47 | 3001342 | TUBO RILSAN D. 8X6 L=1000 | TUYAU RILSAN D.8x6 L=1000 | RILSAN HOSE D.8x6 L=1000 | SCHLAUCH 8x6 L=1000 |
| 48 | 3000143 | TUBO RILSAN 6X4 L=480 | TUYAU RILSAN D.6x4 L=480 | RILSAN HOSE D.6x4 L=480 | SCHLAUCH 6x4 L=480 |
| 49 | 4399900 | DADO AUTOBL.M 8 BASSO 6.S 7474 | ECROU A' BLOCAGE AUTOMAT. | SELF-LOCKING NUT M8 | SELBSTSICHERNDE MUTTER M8 |
| 50 | 4399894 | MOLLA TAZZA 8,2X18X1 2093 | RESSORT 8,2x18x1 | BELLEVILLE WASHER 8,2x18x1 | FEDER 8,2x18x1 |
| 51 | 4398274 | VITE AUTOF. TCEI 5,5x26 | VIS AUTOTARADEUSE 5,5x26 | SELF-TAPPING SCREW 5,5x26 | BLECHSCHRAUBE 5,5x26 |
| 52 | 4398848 | RONDELLA 6 (6,6x18x1,5)ZNT6593 | RONDELLE 6 (6,6x18x1,5) | WASHER 6 (6,6x18x1,5) | SCHEIBE 6 (6,6x18x1,5) |
| 53 | 4299912 | BIELLA PER CAMME | BIELLE | CONNECTING ROD | PLEUELSTANGE |
| 54 | 4399891 | VITE AUTOF.TC+ 2,9x6,5 ZNT | VIS AUTOTARADEUSE 2,9x6,5 | SELF-TAPPING SCREW 2,9x6,5 | BLECHSCHRAUBE 2,9x6,5 |
| 55 | 4299910 | CAVALLOTTO GUIDA BIELLA | GUIDE-BIELLE | CONNECTING ROD GUIDE | PLEUELSTANGENFUEHRUNG |
| 56 | 4299913 | CAMMA DOPPIA | CAME | DOUBLE CAM | DOPPELKAMM |
| 57 | 4299911 | BALESTRAA FORCELLA | RESSORT ALAME | FORKED LEAF SPRING | GABELFEDER |
| 58 | 4399889 | DADO M 6 6S ZNT 5588 | ECROU M6 | NUT M6 | MUTTER M6 |
| 59 | 3002157 | PEDALE COM.INVERT.ALL. | PEDALE | REVERSER CONTROL PEDAL | WECHSLERPEDAL |
| 60 | 3007953 | BOCCOLA D.18x12,5x21 PED.INV. | DOUILLE D.18X12,5X21 | BUSH D.18x12,5x21 | BUECHSE D.18X12,5X21 |
| 61 | 4399903 | RONDELLA 4 (4,5x12x1,5)ZNT6593 | RONDELLE 4 (4,5x12x1,5) | WASHER 4 (4,5x12x1,5) | SCHEIBE 4 (4,5x12x1,5) |
| 62 | 4399889 | DADO M 6 6S ZNT 5588 | ECROU M6 | NUT M6 | MUTTER M6 |
| 63 | 4399122 | ROND. DEN.ES."A" 8,4x15x0,8 | RONDELLE D.8 | TOOTHED WASHER 8,4x15x0,8 | ZAHNSCHEIBE 8,4x15x0,8 |
| 64 | 4399998 | RONDELLA 6 (6,4x12x1,6)ZNT6592 | RONDELLE 6 (6,4x12x1,6) | WASHER 6 (6,4x12x1,6) | SCHEIBE 6 (6,4x12x1,6) |

| | | | | | | |
|----|---------|-----------------------------|---------------------------|---------------------------|-----------------------|--|
| 65 | 2115340 | SUPPORTO INVERTITORE | | | | |
| 66 | 4398723 | VITE TE 6x12 | VIS 6x12 | SCREW 6x12 | SCHRAUBE 6x12 | |
| 67 | 4398999 | VITE AUTOF.TCIC 3,5x13 | VIS AUTOTARADEUSE 3,5x13 | SELF-TAPPING SCREW 3,5x13 | BLECHSCHRAUBE 3,5x13 | |
| 68 | 4399703 | ROND. DEN.ES."A" 4,3x8x0,5 | RONDELLE DENTEE 4,3x8x0,5 | TOOTHED WASHER 4,3x8x0,5 | ZAHNSCHEIBE 4,3X8X0,5 | |
| 69 | 3015342 | STAFFA SUPPORTO INVERT.-ZNT | ETRIER DE SUPPORT | SUPPORT | WECHSLERSTUETZE | |
| 70 | 4595380 | INVERTITORE 32A | INVERSEUR | REVERSER | WECHSLER 20A SERIE 13 | |
| 71 | 3015345 | PROTEZIONE INVERTITORE | PROTECTION INVERSEUR | REVERSER COVER | WECHSLERSCHUTZ | |
| 72 | 3015341 | BIELLA COM.INVERT.-ZNT | BIELLE | CONNECTING ROD | PLEUELSTANGE | |



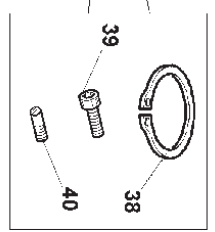
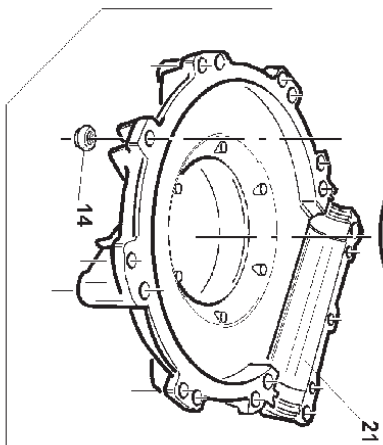
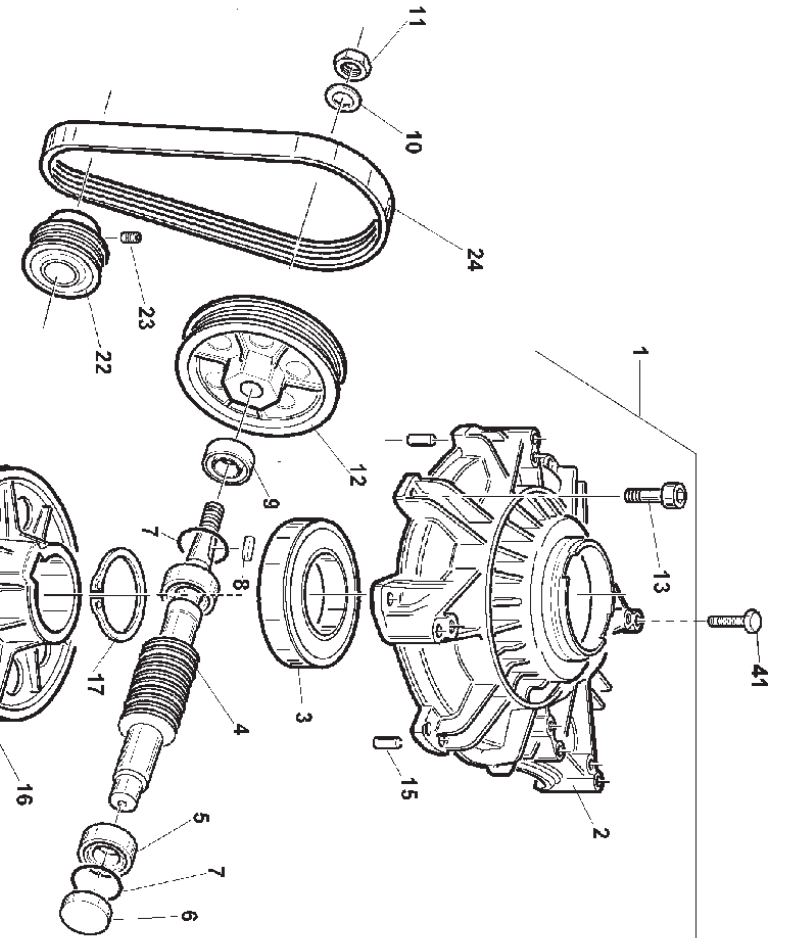
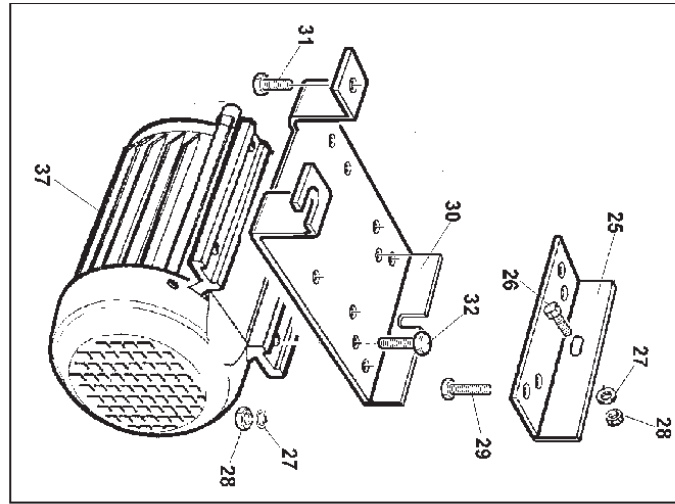
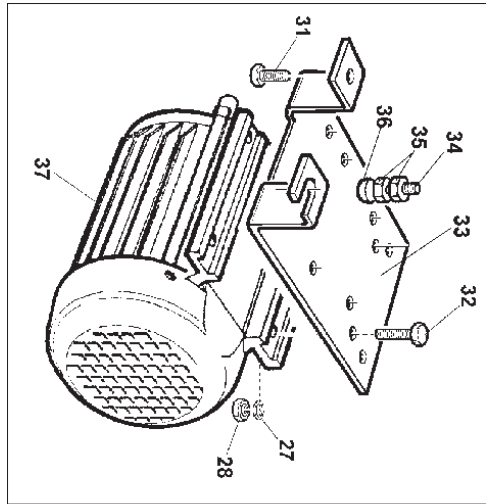
| | | | | | |
|----|---------|--------------------------------|------------------------------|----------------------------|-------------------------------|
| 1 | 2012090 | GR.CILINDRO STALLONATORE 8030 | CYLINDRE DECOLLEUR | BEAD BREAKER CYLINDER | ZYLINDER |
| 2 | 4399976 | DADO M 8 6S ZNT 5588 | ECROU M8 | NUT M8 | MUTTER M8 |
| 3 | 3000125 | FONDELLO CILINDRO STALLONATORE | CULOT CYLINDRE DECOLLEUR | CYLINDER BASE | ZYLINDERENDSCHEIBE |
| 4 | 3000124 | MOLLA CILINDRO STALLONATORE | RESSORT | SPRING | FEDER |
| 5 | 4399963 | DADO AUTOBL.M16 BASSO.6S. 7474 | ECROU A' BLOCAGE AUTOM. M16 | SELF-LOCKING NUT M16 | SELBSTSICHERNDE MUTTER M16 |
| 6 | 3000122 | PISTONE CILINDRO STALLONATORE | PISTON | PISTON | ZYLINDERKOLBEN |
| 7 | 4299937 | ANELLO TENUTA DE 725 | JOINT A LEVRE | GROMMET | DICHTUNGSRING |
| 8 | 3012091 | ASTA PIST.STALL. D.16 L=465 | TIGE DE PISTON D.16 L=465 | PISTON SHAFT D.16 L=465 | KOLBENSTANGE D.16 L=465 |
| 9 | 4399946 | VITE TE 8x16 8.8 5739 | VIS M8x16 8.8 | SCREW M8x16 8.8 | SCHRAUBE M8x16 8.8 |
| 10 | 2012817 | CILINDRO STALLONATORE C. D.16 | CYLINDRE DECOLLEUR | BEAD BREAKER CYLINDER | ZYLINDER |
| 11 | 4399943 | VITE TCEI M12x35 12.9 5931 | VIS M12x35 12.9 | SCREW M12x35 12.9 | SCHRAUBE M12x35 12.9 |
| 12 | 3000117 | BOCCOLA PER CILINDRO STALL. | DOUILLE | BUSH | BUECHSE |
| 13 | 3000143 | TUBO RILSAN 6X4 L=480 | TUYAU RILSAN D.6x4 L=480 | RILSAN HOSE D.6x4 L=480 | SCHLAUCH 6x4 L=480 |
| 14 | 4198993 | RACCORDO 6510 1/8"-6 S.RAPIDO | RACCORD 6510 1/8"-6 RAPIDE | QUICK UNION 1/8"-6 | SCHNELLANSCHLUSS 1/8"-6 |
| 15 | 4299719 | AMMORTIZZATORE D.16,5x59x5 | AMORTISSEUR D.16,5x59x5 | SHOCK-ABSORBER D.16,5x59x5 | STOSSDAEMPFER D.16,5x59x5 |
| 16 | 4198808 | SILENZIATORE 1/4" SPEC. D.24 | ATTENUATEUR DE BRUIT 1/4" | SILENCER 1/4" | SCHALLDAEMPFER 1/4" |
| 17 | 4199671 | VALVOLA SCARICO RAPIDO DA 1/4" | SOUPAPE DECHARGE RAPIDE 1/4" | DUMP VALVE | SCHNELLABLASSVENTIL 1/4" |
| 18 | 3000114 | MOLLA BRACCIO STALLONATORE | RESSORT BRAS DECOLLEUR | ARM SPRING | ARMFEDER |
| 19 | 4399945 | VITE TE 16x100 8.8 P.F. 5737 | VIS TE 16x100 | SCREW TE 16x100 | SCHRAUBE TE 16x100 |
| 20 | 6611948 | BRACCIO STALLONATORE | BRAS DECOLLEUR | BEAD BREAKING ARM | WULSTABDRUECKARM |
| 21 | 4399963 | DADO AUTOBL.M16 BASSO.6S. 7474 | ECROU DE VERROUILLAGE M16 | SELF-LOCKING NUT M16 | SELBSTSICHERNDE MUTTER M16 |
| 22 | 4399979 | ANELLO SEEGER E D.30 7435 | BAGUE SEEGER D.30 | SEEGER RING D.30 | SEEGER RING D.30 |
| 23 | 3000113 | PERNO ORIENTABILE ASTA D.16 | PIVOT | PIVOT PIN D.16 | DREHZAPFEN D.16 |
| 24 | 4399975 | ANELLO SEEGER E D.20 7435 | BAGUE SEEGER D.20 | SEEGER RING D.20 | SEEGER RING D.20 |
| 25 | 4299952 | POMOLO D.12 | POMMEAU D.12 | KNOB D.12 | KUGELGRIFF D.12 |
| 26 | 2111029 | PALETTA STALLONATORE | PALE DECOLLE-TALONS | BEAD BREAKING PLATE | WULSTABDRUECKSCHAUFEL |
| 27 | 4399948 | VITE TE M14x80 | VIS TE M14x80 | SCREW TE M14x80 | SCHRAUBE TE M14x80 |
| 28 | 4398878 | VITE TCEI M 8x70 8.8 5931 | VIS 8x70 | SCREW 8x70 | SCHRAUBE 8x70 |
| 29 | 4399829 | RONDELLA 8 (8,4x16x1,5)ZNT6592 | RONDELLE 8 (8,4X16X1,5) | WASHER 8 (8,4x16x1,5) | BEILAGSSCHEIBE 8 (8,4x16x1,5) |
| 30 | 4399900 | DADO AUTOBL.M 8 BASSO 6.S 7474 | ECROU DE VERROUILLAGE M8 | SELF-LOCKING NUT M8 | SELBSTSICHERNDE MUTTER M8 |
| 31 | 4396941 | DADO M14 6S BASSO ZNT 5589 | ECROU M14 | NUT M14 | MUTTER M14 |
| 32 | 3002832 | SEDE AMMORTIZZATORE STALLON. | SIEGE AMORTISSEUR | SHOCK ABSORBER SEAT | STOSSDAEMPFERSTITZ |



| | | | | | |
|----|---------|------------------------------------|------------------------------|--------------------------------|--------------------------------------|
| 1 | 2002215 | TORRETTA INTEGR. ORIENT. COMPL. | SWINGING MOUNTING HEAD | TETE DE MONTAGE | MONTIERWERKZEUG |
| 2 | 4399953 | VITE TE 10x16 8.8 5739 | SCREW M10x16 8.8 | VIS M10x16 8.8 | SCHRAUBE M10x16 8.8 |
| 3 | 4395804 | RONDELLA DIN6319 "G" 14,2x35x5 | WASHER DIN6319 "G" 14,2x35x5 | RONDELLE DIN6319 "G" 14,2x35x5 | BEILAGSSCHEIBE DIN6319 "G" 14,2x35x5 |
| 4 | 3000215 | RULLINO PER UNGHIA | PEAK ROLL | GALET | ROLLE |
| 5 | 3006689 | INSERTO PLAST. X TORR. INTEGR. | PLASTIC INSERT | INSERT EN PLASTIQUE | PLASTIKEINSATZSTUECK |
| 6 | 4395806 | VITE STEI 10x12 P.COPPA 5927 | SCREW STEI M10x12 | VIS STEI M10x12 | SCHRAUBE STEI M10x12 |
| 7 | 3009018 | PERNO SPEC. D.5 M6 L=26 | SPECIAL PIN D.5 M6 L=26 | AXE SPECIAL D.5 M6 L=26 | SONDERSTIFT D.5 M6 L=26 |
| 8 | 4395805 | RONDELLA DIN6319 "C" 10,2x21x4 | WASHER DIN6319 "C" 10,2x21x4 | RONDELLE DIN6319 "C" 10,2x21x4 | BEILAGSSCHEIBE DIN6319 "C" 10,2x21x4 |
| 9 | 3002214 | UTENSILE INT. ORIENT. -ZNT B. | SWINGING TOOL | OUTIL PIVOTANT | SCHWENKWERKZEUG |
| 10 | 4398849 | VITE STEI 10x16 P.P. | SCREW 10x16 | VIS 10x16 | SCHRAUBE 10x16 |
| 11 | 3013650 | INSERTO INFER. X TORR. INTEGR. | PLASTIC INSERT | INSERT EN PLASTIQUE | KUNSTSTOFFEINSATZSTUECK |
| 12 | 2014250 | TORRETTA INTEGR. OR. STRONG COMPL. | MOUNTING TOOL | OUTIL DE MONTAGE | MONTIERWERKZEUG |
| 13 | 3015133 | UTENSILE INT. OR. STRONG-ZNT B. | SHORT MOUNTING TOOL | OUTIL DE MONTAGE | MONTIERWERKZEUG |

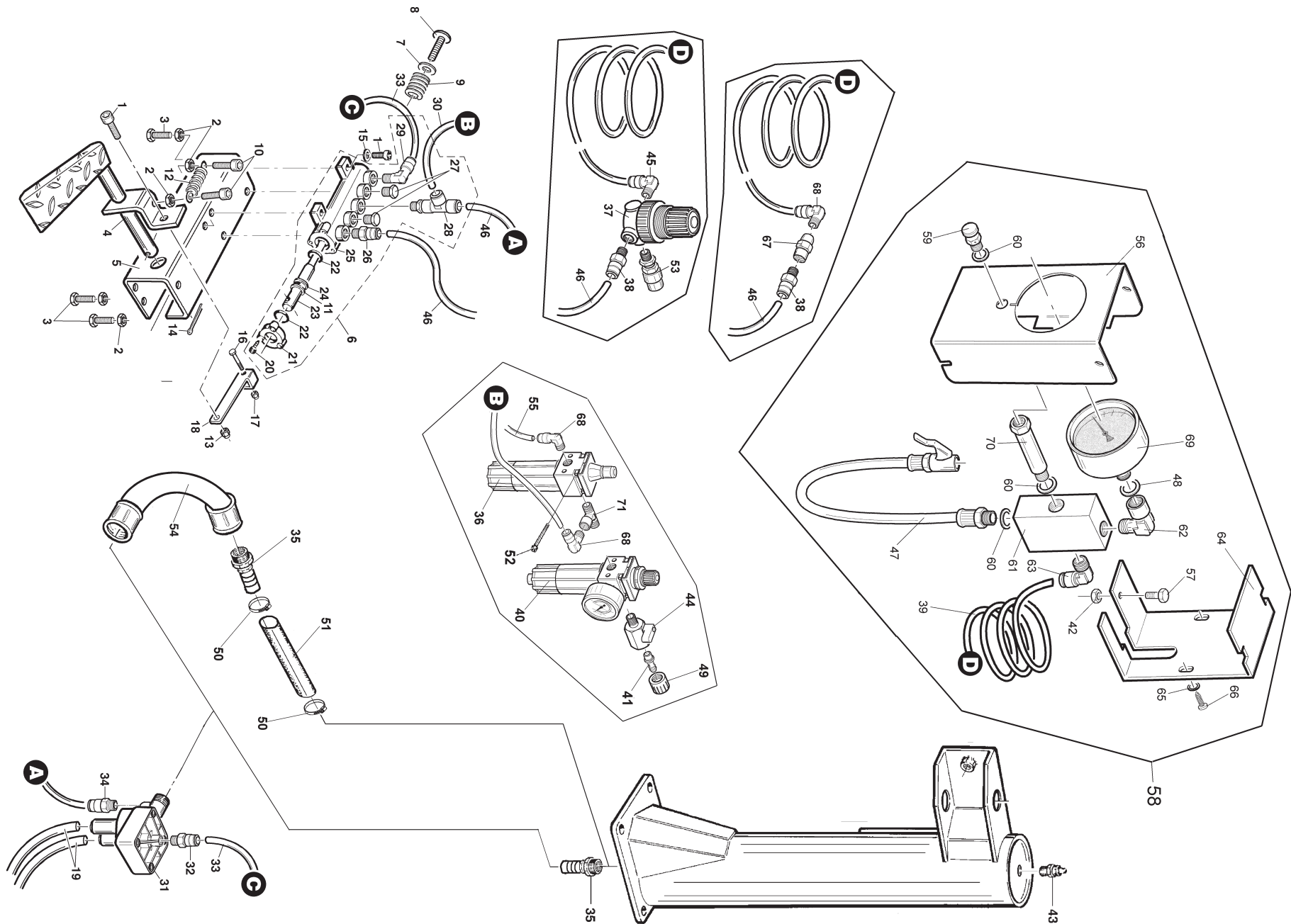
| | | | | | |
|----|---------|------------------------------------|------------------------------|--------------------------------|-------------------------------|
| 1 | 4197819 | RACCORDO 6610 1/8" 8/6 S.RAP. | QUICK UNION 1/8" 8-6 | RACCORD RAPIDE 1/8" 8-6 | SCHNELLANSCHLUSS 1/8" 8-6 |
| 2 | 3015088 | MOZZO AUTOC. 4C ALU | HUB | MOYEU | NABE |
| 3 | 3099335 | TUBO ELASTOLAN D. 8X6 L=750 | HOSE 8x6 L=750 | TUYAU 8x6 L=750 | SCHLAUCH 8x6 L=750 |
| 4 | 3016820 | SPIRALE RILSAN 8X6 L=560 | RILSAN SPIRAL HOSE 8X6 L=560 | TUYAU SPIRALE RILSAN 8X6 L=560 | SPIRALENSCHLAUCH 8X6 L=560 |
| 5 | 4295066 | RACCORDO GIREVOLE "Y" GT | ROTATING UNION "Y" GT | RACCORD PIVOTANT "Y" GT | DREHANSCHLUSS "Y" GT |
| 6 | 3016055 | PIASTRINA AUTOC. 20" | PLATE FOR TURNTABLE 20" | PLAQUE POUR PLAT. CENTR. 20" | PLATTE FUER ZENTRIERTISCH 20" |
| 7 | 3000870 | TUBO ELASTOLAN D. 8X6 L=240 | HOSE 8x6 L=240 | TUYAU 8x6 L=240 | SCHLAUCH 8x6 L=240 |
| 8 | 4395447 | ANELLO SEEGER EST. D.85 | SEEGER RING D.85 | JOINT SEEGER D.85 | SEEGER RING D.85 |
| 9 | 2016026 | FLANGIA X AUTOC. MOZZO ALL. | FLANGE | BRIDE | FLANSCH |
| 10 | 4398838 | VITE TE 12x1,25x45 8.8 PF | SCREW 12x1,25x45 | VIS 12x1,25x45 | SCHRAUBE 12x1,25x45 |
| 11 | 4398637 | RONDELLA 12x21x2,5 | WASHER D.12x21x2,5 | RONDELLE D.12x21x2,5 | BEILAGSSCHEIBE D.12x21x2,5 |
| 12 | 3006880 | DISTANZIALE BIELLA UNIF.12x18x9 | SPACER | ENTRETOISE | DISTANZSTUECK |
| 13 | 3016075 | PIATTO AUTOC. 2C OTT. 20"-sp12-ZNT | TURNTABLE 20" | PLATEAU CENTREUR 20" | ZENTRIERTISCH 20" |
| 14 | 2112879 | GUIDA SCOR.PERNO 22"UNIF. | PIN SLIDING GUIDE 22" | GUIDAGE COULISSANTE AXE 22" | GLEITFUEHRUNG 22" |
| 15 | 4399981 | RONDELLA 12 (13x24x2,5) | WASHER 12 (13x24x2,5) | RONDELLE 12 (13x24x2,5) | BEILAGSSCHEIBE 12 (13x24x2,5) |
| 16 | 4399864 | ANELLO SEEGER E D.12 | SEEGER RING D.12 | BAGUE SEEGER D.12 | SEEGER-RING D.12 |
| 17 | 2107387 | SCORREVOLE GT UNIF.-ZNT B. | GT SLIDE | PATIN GT | GT SCHLITTEN |
| 18 | 3002297 | GRIFFA BLOCCAGGIO MAGGIORATA | CLAMP | MORS | SPANNKLAUE |
| 19 | 4398037 | VITE TCEI M10x1,25x25 | SCREW 10x1,25x25 | VIS 10x1,25x25 | SCHRAUBE 10x1,25x25 |
| 20 | 3015269 | PERNO GUIDA SCORREV.D.9 | PIN | AXE | STIFT |
| 21 | 3006879 | DISTANZIALE AUTOC. UNIF. | SPACER | ENTRETOISE | DISTANZSTUECK |
| 22 | 2112878 | GUIDA SCORR.22" UNIF.-ZNT VERDE | SLIDING GUIDE 22" | GUIDAGE COULISSANT 22" | GLEITFUEHRUNG 22" |
| 23 | 3006876 | SPESSORE SCORR.UNIF. 1,5-BRUN. | SHIM | CALE | DISTANZSTUECK |
| 24 | 3015864 | ANELLO PER MOZZO ZNT. VERDE | RING | BAGUE | RING |
| 25 | 4395235 | VITE TBEI 12x25 10.9 UBK | SCREW TBEI 12x25 10.9 UBK | VIS TBEI 12x25 10.9 UBK | SCHRAUBE TBEI 12x25 10.9 UBK |
| 26 | 3000062 | PROTEZIONE CENTRALE PIATTO | PROTECTION | PROTECTION | SCHUTZ |
| 27 | 2008060 | GR.CILINDRO AUT.20" INT. | 20" TURNTABLE CYLINDER | VERIN CENTREUR 20" | 20" ZENTRIERTISCHZYLINDER |
| 28 | 4298822 | ANELLO OR 842 D.68,26x3,53 | O-RING D.68,26x3,53 | JOINT OR D.68,26x3,53 | O-RING D.68,26x3,53 |
| 29 | 3008042 | CAMICIA CIL. 20" L=345 | CYLINDER LINER 20" L=345 | CHEMISE VERIN 20" L=345 | ZYLINDERMANTEL 20" L=345 |
| 30 | 3007941 | VITE SPECIALE TE M8x369 | SPECIAL SCREW M8x369 | VIS SPECIALE 8x369 | SONDERSCHRAUBE M8x369 |

| | | | | | |
|-----|---------|------------------------------------|-------------------------------|---------------------------|-----------------------------|
| 31 | 4397678 | DADO FLANGIATO M8 | FLANGED NUT M8 | ECROU BORDE" M8 | FLANSCHMUTTER M8 |
| 32 | 3015024 | FLANGIA ANTER.D.75-PRF | FLANGE | BRIDE | FLANSCH |
| 33 | 3015023 | FLANGIA POSTER.D.75-PRF | FLANGE | BRIDE | FLANSCH |
| 34 | 3199599 | ANELLO SEEGER I D.30 JV | SEEGER RING D.30 | BAGUE SEEGER D.30 | SEEGER-RING D.30 |
| 35 | 4398146 | RASAMENTO 24x30x1 | STEEL SHIM 24x30x1 | CALE EN ACIER 24x30x1 | STAHLZWISCHENLAGE 24x30x1 |
| 36 | 3199601 | ANELLO RASCH.BID.L7 NSW 20 30 6/CO | SCRAPER | SEGMENT RACLEUR | KRATZSCHEIBE |
| 37 | 4198856 | PISTONE MONOBLOCCO TDUOP D.75 | PISTON D.75 | PISTON D.75 | KOLBEN D.75 |
| 38 | 4299168 | ANELLO OR 3081 D.20,29x2,62 | O-RING 20,29x2,62 | JOINT OR D.20,29x2,62 | O-RING 20,29x2,62 |
| 39 | 3002901 | ASTA CILINDRO AUT.20" L=400 | CYLINDER ROD 20" L=400 | TIGE VERIN 20" L=400 | ZYLINDERSTANGE 20" L=400 |
| 40 | 4399865 | DADO AUTOBL.M12 BASSO.6S. | SELF-LOCKING NUT M12 | ECROU DE VERROUILLAGE M12 | SELBSTSICHERNDE MUTTER M12 |
| 41 | 4198954 | RACCORDO 6512 1/8"-8 S.R. | QUICK UNION 1/8" | RACCORD RAPIDE 1/8" | SCHNELLANSCHLUSS 1/8" |
| 42 | 4199929 | RACCORDO 1631-01 1/8" | UNION 1/8" | RACCORD 1/8" | ANSCHLUSS 1/8" |
| 43 | 4198978 | RACCORDO 6540 8 | UNION | RACCORD | ANSCHLUSS |
| 44 | 4398753 | RONDELLA 12,5x30x3 | WASHER D.12,5x30x3 | RONDELLE D.12,5x30x3 | BEILAGSSCHEIBE D.12,5x30x3 |
| 45 | 3006477 | TUBO POLIUR.10X6,5 L=335 | POLYURETHAN HOSE 10x6,5 L=335 | TUYAU 10x6,5 L=335 | SCHLAUCH 10x6,5 L=335 |
| 46 | 4198035 | RACCORDO DRITTO 1/4"-10 A.112 | UNION 1/4" | RACCORD 1/4" | ANSCHLUSS 1/4" |
| 47 | 4197207 | RACCORDO "T" 1/8"-10/8 A.112 | UNION TEE 1/8" 10-8 | RACCORD ENT 1/8" 10-8 | T-VERSCHRAUBUNG 1/8" 10-8 |
| 48 | 3002109 | TUBO RILSAN 14X11 L=1070 | RILSAN HOSE 14x11 L=1070 | TUYAU RILSAN 14x11 L=1070 | SCHLAUCH 14x11 L=1070 |
| 49 | 3001996 | VITE X RACC.GIREV.TUBL. | SCREW | VIS | SCHRAUBE |
| 50 | 4297520 | ANELLO OR 153 D.49,21X3,53 | O-RING 153 D.49,21x3,53 | JOINT OR 153 D.49,21X3,53 | O-RING 153 D,49,21X3,53 |
| 51 | 3008646 | DISTANZ. X OR GT (D.55 x 1,5) | O-RING SPACER (D.55x1,5) | ENTRETOISE | DISTANZSTUECK |
| 52 | 3006479 | TUBO POLIUR.10X6,5 L=430 | POLYURETHAN HOSE 10x6,5 L=430 | TUYAU 10x6,5 L=430 | SCHLAUCH 10x6,5 L=430 |
| 53 | 3006478 | TUBO POLIUR.10X6,5 L=310 | POLYURETHAN HOSE 10x6,5 L=310 | TUYAU 10x6,5 L=310 | SCHLAUCH 10x6,5 L=310 |
| 54 | 2016344 | AUROC. 2C OTTAG. 10-20"GT | TURNTABLE 20" GT | PLATEAU CENTREUR 20" GT | ZENTRIERTISCH 20" GT |
| 54A | 2016776 | AUROC. 2C OTTAG. 11-21"GT | TURNTABLE 21" GT | PLATEAU CENTREUR 21" GT | ZENTRIERTISCH 21" GT |
| 54B | 2016778 | AUROC. 2C OTTAG. 12-22"GT | TURNTABLE 22" GT | PLATEAU CENTREUR 22" GT | ZENTRIERTISCH 22" GT |
| 55 | 2006393 | PROTEZ.INTEGRALE GRIFFA COMPL. | CLAMP COVER | PROTECTION MORS | KLAUENSCHUTZ |
| 56 | 4395179 | VITE TE 16x1,5x45 8.8 | SCREW 16x1,5x45 8.8 | VIS 16x1,5x45 8.8 | SCHRAUBE 16x1,5x45 8.8 |
| 57 | 4395014 | RONDELLA 17X30X3 UNI 6592 R80 | WASHER D.17X30X3 | RONDELLE D.17X30X3 | BEILAGSSCHEIBE D.17X30X3 |
| 58 | 3016819 | TUBO ELASTOLAN 8X6 L=75 | ELASTOLAN HOSE 8X6 L=75 | TUYAU ELASTOLAN 8X6 L=75 | ELASTOLAN SCHLAUCH 8X6 L=75 |



| Ref | Code | Descrizione | Description | Description | Beschreibung |
|-----|---------|--------------------------------|-----------------------|------------------------------|---------------------------|
| 1 | 2010900 | GR. RIDUTT. SMTG AUTO COMPL. | REDUCTION GEAR UNIT | GROUPE REDUCTEUR | REDUKTORAGGREGAT |
| 2 | 3010872 | SCATOLA SUPER. RIDUTT. | REDUCTION GEAR BOX | BOITE REDUCTEUR | REDUKTORKASTEN |
| 3 | 4296945 | CUSCINETTO 6212 2RS 60x110x22 | BEARING 60X110X22 | COUSSINET 60X110X22 | LAGER 60X110X22 |
| 4 | 3010883 | VITE SENZA FINE RID.SMTG AUTO | WORM | VIS SANS FIN | SCHNECKE |
| 5 | 4296944 | CUSCINETTO RULLI CONICI 30204 | BEARING | COUSSINET | LAGER |
| 6 | 3010886 | COPERCHIETTO TENUTA 35-8 | SEALING CAP | BOUTON D'ETANCHEITE' | DICHTUNGSKAPPE |
| 7 | 4296943 | ANELLO OR 140 D.34,52x3,53 | O-RING D.34,52X3,53 | JOINT TORIQUE D.34,52X3,53 | O-RING D.34,52X3,53 |
| 8 | 4396947 | LINGUETTA 6x6x18 (A) 6604 | TAB 6X6X18 | PLAQUE 6X6X18 | PLÄTTCHEN 6X6X18 |
| 9 | 4296942 | ANELLO TENUTA 20x35x10 | O-RING 20X35X10 | JOINT TORIQUE 20X35X10 | O-RING 20X35X10 |
| 10 | 4398807 | RONDELLA 14 (15x28x2,5)ZNT6592 | WASHER 14 (15x28x2,5) | RONDELLE 14 (15x28x2,5) | SCHEIBE 14 (15x28x2,5) |
| 11 | 4396941 | DADO M14 6S BASSO ZNT 5589 | NUT M14 | ECROU M14 | MUTTER M14 |
| 12 | 3010863 | PULEGGIA RIDUTT. SMTG AUTO | GEARBOX PULLEY | POULIE REDUCTEUR | REDUKTORSCHLEIBE |
| 13 | 4399134 | VITE TCEI M 8x30 8.8 5931 | SCREW TCEI 8x30 8.8 | VIS M8x30 8.8 | SCHRAUBE TCEI M 8X 30 8.8 |
| 14 | 4399900 | DADO AUTOBL.M 8 BASSO 6.S 7474 | SELF-LOCKING NUT M8 | ECROU A' BLOCAGE AUTOMAT. M8 | SELBSTSPERRENDE MUTTER M8 |
| 15 | 4396940 | SPINA CIL.RETT. 8x20 6364A | PIN 8X20 | AXE 8X20 | STIFT 8X20 |
| 16 | 3010884 | RUOTA ELICOIDALE RID.-FINITA | HELICAL GEAR | ROUE HELICOIDALE | SCHNECKENRAD |
| 17 | 4396946 | ANELLO SEEGER E D.60x3 7436 | SEEGER RING D.60X3 | JOINT SEEGER D.60X3 | SEEGER RING D.60X3 |
| 18 | 3010885 | PERNO PER RUOTA ELICOID. | HELICAL GEAR STUD | AXE POUR ROUE HELICOIDALE | SCHNECKENRADBOLZEN |
| 19 | 4396948 | LINGUETTA 16x10x70 (A) 6604 | TAB 16X10X70 | PLAQUE 16X10X70 | PLÄTTCHEN 16X10X70 |
| 20 | 4296910 | CUSCINETTO 6212 60x110x22 | BEARING 60X110X22 | COUSSINET 60X110X22 | LAGER 60X110X22 |
| 21 | 3010873 | SCATOLA INFERIORE RIDUTTORE | REDUCTION GEAR BOX | BOITE REDUCTEUR | REDUKTORKASTEN |
| 22 | 3010864 | PULEGGIA MOTORE SMTG AUTO | MOTOR PULLEY | POULIE MOTEUR | MOTORSCHLEIBE |
| 23 | 4399922 | VITE STEI 8x14 P.CIL. 5925 | SCREW 8x14 | VIS 8x14 | SCHRAUBE 8x14 |
| 24 | 4296813 | CINGHIA PV 610 J6 | FLAT BELT | COURROIE | RIEMEN |

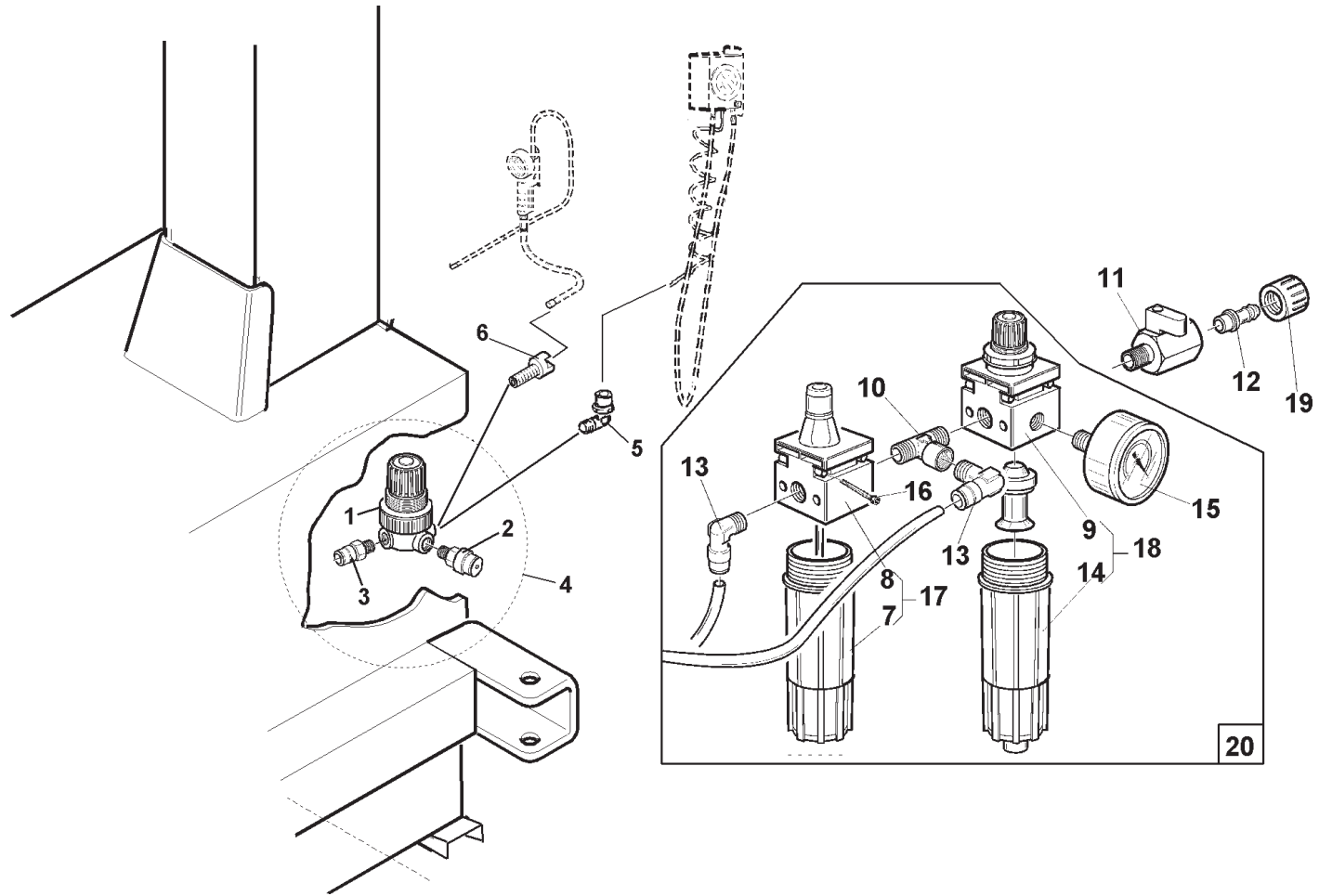
| | | | | | |
|------|---------|-----------------------------------|--------------------------------|-------------------------------|-------------------------------|
| 25 | 3011384 | ANGOLARE TENDICINGHIA-ZNT B. | TENSION ANGLE BAR | TENDEUR DE COURROIE EN L | RIEMENSPANNWINKELEISEN |
| 26 | 4399946 | VITE TE 8x16 8.8 5739 | SCREW M8x16 8.8 | VIS M8x16 8.8 | SCHRAUBE M8x16 8.8 |
| 27 | 4399829 | RONDELLA 8 (8,4x16x1,5)ZNT6592 | WASHER 8 (8,4x16x1,5) | RONDELLE 8 (8,4X16X1,5) | SCHEIBE 8 (8,4x16x1,5) |
| 28 | 4399976 | DADO M 8 6S ZNT 5588 | NUT M8 | ECROU M8 | MUTTER M8 |
| 29 | 4399824 | VITE TE 10x14 8.8 5739 | SCREW M10x14 8.8 | VIS M10x14 8.8 | SCHRAUBE M10x14 8.8 |
| 30 | 3011383 | SUPP. MOTORE NUOVO RID.-ZNT B. | MOTOR SUPPORT | SUPPORT DE MOTEUR | MOTORLAGER |
| 31 | 4399966 | VITE TE 10x20 8.8 5739 | SCREW M10x20 - 8.8 | VIS 10x20 8.8 | SCHRAUBE M10x20 8.8 |
| 32 | 4399935 | VITE TE 8x25 8.8 5739 | SCREW TE M8X25 8.8 | VIS TE M8x25 8.8 | SCHRAUBE TE M8x25 8.8 |
| 33 | 3000149 | SUPP. MOTORE NUOVO RID.-ZNT B. | MOTOR SUPPORT | SUPPORT DE MOTEUR | MOTORLAGER |
| 34 | 4399880 | VITE TE 10x40 8.8 | SCREW M10x40 - 8.8 | VIS 10x40 8.8 | SCHRAUBE M10x40 8.8 |
| 35 | 4399969 | DADO M 10 6S | NUT M10 | ECROU M10 | MUTTER M10 |
| 36 | 3000164 | PUNTALE PER TENDICINGHIA | BELT-STRETCHER SHOE | POINTEAU DE TENDEUR COURROIE | STUTZE f. RIEMENSPANNER |
| 37 | 4599914 | MOTORE 1PH - HP1,2 230V.50/60HZ | 1PH MOTOR 1,2HP 230V 50/60HZ | MOTEUR 1PH 1,2HP 230V 50/60HZ | 1PH MOTOR 1,2HP 230V 50/60HZ |
| 37 A | 4599924 | MOTORE 3PH - 230/400V. 50 HZ | 3 PHASE MOTOR 230/400 V. 50 HZ | MOTEUR 230/400 V 3 PH-50 HZ | DREIPHASENMOTOR 230/400V 50HZ |
| 37 B | 4598919 | MOTORE 2VELOCITA.400V.HP 1-1,5 B3 | TWO SPEED MOTOR | MOTEUR 2V. 400V HP 1/1,5 | MOTOR 400V. HP.1/1,5 - B.3 |
| 37 C | 4598499 | MOTORE 1PH 115V. HP1,2 50/60Hz | 115V 1PH MOTOR | MOTEUR 115V 1PH | MOTOR 115V. 1PH. |
| 38 | 4396700 | ANELLO SEEGER E D.50x2 7436 | SEEGER RING D.50x2 | JOINT SEEGER D.50x2 | SEEGER RING D.50x2 |
| 39 | 4399964 | VITE TE M6x10 | SCREW TE M6 x 10 | VIS TE M6 x 10 | SCHRAUBE TE M6x10 8.8 |
| 40 | 3001996 | VITE PER RACCORDO GIREVOLE GT | SCREW FOR ROTATING UNION GT | VIS pour RACCORD PIVOTANT GT | SCHRAUBE f. DREHANSCHLUSS GT |
| 41 | 4399933 | VITE TE M10x50 8.8 | SCREW TE M10x50 | VIS TE M10x50 | SCHRAUBE TE M10x50 |



| | | | | | |
|----|---------|--------------------------------|----------------------------|------------------------------|--------------------------------|
| 1 | 4399890 | VITE TCEI M 6x20 8.8 5931 | SCREW M6x20 - 8.8 | VIS M6x20 - 8.8 | SCHRAUBE M6x20 -8.8 |
| 2 | 4399889 | DADO M 6 6S ZNT 5588 | NUT M6 | ECROU M6 | MUTTER M6 |
| 3 | 4399892 | VITE TE 6x20 8.8 5739 | SCREW M6x20 - 8.8 | VIS M6x20 - 8.8 | SCHRAUBE M6x20 - 8.8 |
| 4 | 2110288 | PEDALINO GT -ZINC. B. | GT PEDAL | PEDALE GT | GT-PEDAL |
| 5 | 3010287 | SUPPORTO PEDAL. GT | GT PEDAL SUPPORT | SUPPORT DE PEDALE GT | GT-PEDALSTUETZ |
| 6 | 2009718 | GR. VALVOLA GT COATS 9010 | VALVE UNIT | GR.SOUPAPE GT | VENTIL |
| 7 | 4398848 | RONDELLA 6 (6,6x18x1,5) | WASHER 6 (6,6x18x1,5) | RONDELLE 6 (6,6x18x1,5) | BEILAGSSSCHEIBE 6 (6,6x18x1,5) |
| 8 | 4399229 | VITE TE 6x10 8.8 | SCREW 6x10 | VIS 6x10 | SCHRAUBE 6X10 |
| 9 | 4298942 | MOLLA GIALLA SL D.20x26 | SPRING D.20x26 | RESSORT D.20x26 | FEDER D.20x26 |
| 10 | 4399999 | VITE TCEI M 6x25 8.8 5931 | SCREW M6x25 - 8.8 | VIS M6x25 - 8.8 | SCHRAUBE M6x25 - 8.8 |
| 11 | 4398634 | ANELLO SEEGER E D.10 | SEEGER RING D.10 | BAGUE SEEGER D.10 | SEEGER RING D.10 |
| 12 | 3000141 | MOLLA RITORNO PEDALI | SPRING | RESSORT DE RAPPEL PEDALES | RUECKZUGFEDER |
| 13 | 4399893 | DADO AUTOBL.M 6 BASSO | SELF-LOCKING NUT M6 | ECROU DE VERROUILLAGE M6 | SELBSTSICHERNDE MUTTER M6 |
| 14 | 4399100 | COPIGLIA D.3,2X30 1336 | SPLIT PIN D.3,2x30 | GOUPILLE D.3,2x300 | SPLINT D.3,2X30 |
| 15 | 4399998 | RONDELLA 6 (6,4x12x1,6)ZNT6592 | WASHER 6 (6,4x12x1,6) | RONDELLE 6 (6,4x12x1,6) | SCHEIBE 6 (6,4x12x1,6) |
| 16 | 4399897 | VITE TE 4x25 8.8 P.F. 5737 | SCREW M4x25 - 8.8 | VIS M4x25 - 8.8 | SCHRAUBE M4x25 - 8.8 |
| 17 | 4399895 | DADO AUTOBL.M 4 BASSO.6S. 7474 | SELF-LOCKING NUT M4 | ECROU A' BLOCAGE AUTOMAT. M4 | SELBSTSICHERNDE MUTTER M4 |
| 18 | 3001853 | LEVETTA COMANDO VALVOLA-ZNT | VALVE CONTROL LEVER | LEVIER COMMANDE SOUPAPE | VENTILKONTROLLHEBEL |
| 19 | 3002109 | TUBO RILSAN 14X11 L=1070 | RILSAN HOSE D.14x11 L=1070 | TUYAU RILSAN 14x12 L=1070 | SCHLAUCH D.14x11 L=1070 |
| 20 | 4398999 | VITE AUTOF. TCIC 3,5x13 6954 | SELF-TAPPING SCREW 3,5x13 | VIS AUTOTARADEUSE 3,5x13 | BLECHSCHRAUBE 3,5x13 |
| 21 | 3001585 | FLANGIA X VALVOLA 3001583 | FLANGE for VALVE 3001583 | BRIDE POUR SOUPAPE 3001583 | FLANSCH |
| 22 | 4299000 | ANELLO OR 9,8x3,85 | O-RING 9,8x3,85 | JOINT OR 9,8x3,85 | O-RING 9,8x3,85 |
| 23 | 3001849 | ASTA X VALVOLA PNEU. GT TN | GT PNEUMATIC VALVE SHAFT | TIGE POUR SOUPAPE | VENTILSTANGE |
| 24 | 3001584 | DISTANZIALE X VALVOLA 3001583 | SPACER FOR VALVE 3001583 | ENTRETOISE | ABSTANDSSTUECK |
| 25 | 3001583 | VALVOLA DISTRIB.-SENZA CHIAVET | DISTRIBUTION VALVE | SOUPAPE DISTRIBUTION | VENTIL |
| 26 | 4198954 | RACCORDO 6510 1/8"-8 S.RAPIDO | QUICK UNION 6510 1/8"-8 | RACCORD RAPIDE 6510 1/8"-8 | SCHNELLANSCHLUSS 6510 1/8"-8 |
| 27 | 4199161 | TAPPO MASCHIO 2611 1/8" | PLUG | BOUCHON 1/8" | VERSCHRAUBUNG 1/8" |
| 28 | 4199888 | RACCORDO "T" 1/8"-8/6 A.112 | T-UNION | RACCORD PST08-01 1/8-8 | T-VERSCHRAUBUNG 1/8" |
| 29 | 4199098 | RACCORDO 6500 1/8" 6-4 S.RAPID | UNION 6500 1/8" 6-4 | RACCORD 1/8" 6-4 | ANSCHLUSS 6500 1/8" 6-4 |
| 30 | 3001382 | TUBO RILSAN D. 8X6 L=850 | RILSAN HOSE D.8x6 L=850 | TUYAU RILSAN D.8x6 L=850 | SCHLAUCH D.8x6 L=850 |

| | | | | | |
|------|---------|----------------------------------|-------------------------------|------------------------------------|---------------------------------|
| 31 | 4198531 | VALVOLA PNEUM. 1" | PNEUMATIC VALVE 1" | SOUPAPE PNEUMAT.1" | DRUCKLUFTVENTIL 1" |
| 32 | 4198884 | RACCORDO 6510 1/4"-8 S.RAPIDO | UNION 6510 1/4" | RACCORD 6510 1/4" | ANSCHLUSS 6510 1/4"-8 |
| 33 | 3002110 | TUBO RILSAN 6X4 L=580 | RILSAN HOSE D.6x4 L=580 | TUYAU RILSAN D.6x4 L=580 | SCHLAUCH 6x4 L=580 |
| 34 | 4198298 | RACCORDO 6510 1/4"-6 S.R. | 6510 UNION 1/4"-6 | RACCORD 6510 1/4" -6 | ANSCHLUSS 6510 1/4" -6 |
| 35 | 4196442 | ATTACCO PORTAGOMMA 9889 1"-25 | CONNECTION | ATTELAGE | VERBINDUNG |
| 36 | 4196481 | LUBRIFIC.1/4" GRIGIO (PLAST.) | LUBRICATOR | GRAISSEUR | SCHMIERER |
| 37 | 4198173 | REGOLATORE 1/4" 0-3,5 BAR | REGULATOR 1/4" 0-3,5 BAR | REGULATEUR 1/4" 0-3,5 BAR | DRUCKREGLER 1/4" 0-3,5 BAR |
| 37/A | 4197996 | REGOLATORE 1/4" 510kPa (=5BAR) | REGULATOR 1/4" 510 kPa (5BAR) | REGULATEUR 1/4" 510 kPa(5BAR) | REGLER 1/4" 510 kPa (5BAR) |
| 38 | 4198884 | RACCORDO 6510 1/4"-8 S.RAPIDO | UNION 6510 1/4" | RACCORD 6510 1/4" | ANSCHLUSS 6510 1/4"-8 |
| 39 | 3000635 | SPIRALE RILSAN 8X6 L=2300 | RILSAN HOSE D.8x6 L=2300 | SPIRALE RILSAN D.8x6 L=2300 | SPIRALSCHLAUCH 8x6 L=2300 |
| 40 | 4196480 | FILTRO REG. 1/4" GRIGIO+MAN 0-16 | FILTER | FILTRE | FILTER |
| 41 | 4198938 | RACCORDO 11021 1/4" M USA | UNION 1/4" | RACCORD 1/4" | ANSCHLUSS 1/4" |
| 42 | 4399976 | DADO M 8 6S ZNT 5588 | NUT M8 | ECROU M8 | MUTTER M8 |
| 43 | 4199189 | VALV.SIC.1/4" 0/12 BAR+RIV+CAPP | SAFETY VALVE 1/4" 0/12 BAR | SOUPAPE DE SECURITE" 1/4" 0/12 BAR | SICHERHEITSVENTIL 1/4" 0/12 BAR |
| 44 | 4196354 | VALVOLA MVS 2901 DF 1/4" | VALVE MVS 2901 DF 1/4" | SOUPAPE MVS 2901 DF 1/4" | VENTIL MVS 2901 DF 1/4" |
| 45 | 4198578 | RACCORDO 6520 1/4"-8/6 GIREV. | ROTATING UNION 1/4"-8/6 | RACCORD 6520 1/4"8/6 | VERSCHRAUBUNG 6520 1/4"-8/6 |
| 46 | 3010798 | TUBO RILSAN D. 8x6 L=440 | RILSAN HOSE D. 8x6 L=440 | TUYAU RILSAN D.8x6 L=440 | RILSAN SCHLAUCH D.8x6 L=440 |
| 47 | 2008872 | GR.TUBO CENTR. GT EIWA L=1400 | GT CONTROL UNIT HOSE L=1400 | GR. TUYAU COM. GT L.1000 | SCHLAUCH L=1400 |
| 48 | 4299000 | ANELLO OR 9,8X3,85 | O-RING 9,8x3,85 | JOINT OR 9,8x3,85 | O-RING 9,8x3,85 |
| 49 | 4196344 | ATTACCO BAIONETTA 100F 1/4" | UNION | ATTELAGE | VERBINDUNGSSTUECK |
| 50 | 4196440 | FASCETTA A COLLARE L20 32-35 | BAND | COLLIER | BAENDCHEN |
| 51 | 3012913 | TUBO NL10 25/35 L=450 | HOSE | TUYAU | SCHLAUCH |
| 52 | 4396593 | VITE TCEI M 4x40 PF | SCREW 4x40 | VIS 4x40 | SCHRAUBE 4x40 |
| 53 | 4198435 | VALV.SIC.1/8"0/4 BAR+RIV.+CAP. | SAFETY VALVE 1/8" 0/4 BAR | SOUPAPE SECURITE' 1/8" 0/4 BAR | SICHERHEITSVENTIL 1/8" 0/4BAR |
| 53/A | 4198702 | VALV.SIC.1/4" 0/5 BAR+RIV+CAPP. | SAFETY VALVE 1/4" 0/5 BAR | SOUPAPE DE SECURITE" 1/4" 0/5 BAR | SICHERHEITSVENTIL 1/4" 0/5 BAR |
| 54 | 4196357 | CURVA 90' 1" F/F ART.2-ZNT | BEND 90' 1" F/F | COURBE 90' 1" F/F | ANSCHLUSS 90' 1" F/F |
| 55 | 3000144 | TUBO ELASTOLAN D. 8X6 L=910 | HOSE 8x6 L=910 | TUYAU 8x6 L=910 | SCHLAUCH 8x6 L=910 |
| 56 | 6615108 | LAMIERA ANTERIORE GT | GT FRONT SHEET | TOLE GT AVANT | GT VORDERBLECH |
| 57 | 4399946 | VITE TE 8x16 8.8 5739 | SCREW M8x16 8.8 | VIS M8x16 8.8 | SCHRAUBE M8x16 8.8 |
| 58 | 2014217 | CENTR.PNEU. GT CE | GT PNEUM. CONTROL UNIT | UNITE' DE CONTROL PNEUM. GT | DRUCKLUFTEINHEIT GT |

| | | | | | |
|------|---------|-------------------------------------|-----------------------------|-------------------------------|--------------------------------|
| 58/A | 2014218 | CENTRALINA PNEUM.GT 600 KPA/PSI/BAR | GT PNEUMATIC UNIT 600 KPA | UNITE PNEUMATIQUE GT 600 KPA | GT DRUCKLUFTEINHEIT 600 KPA |
| 58/B | 2014797 | CENTRAL.PN.GT 1200 KPA/PSI/BAR-REV | GT PNEUMATIC UNIT 1200 KPA | UNITE PNEUMATIQUE GT 1200 KPA | GT DRUCKLUFTEINHEIT 1200 KPA |
| 59 | 4299354 | PULSANTE DI SCARICO | RELIEF PUSHBUTTON | BOUTON-POUSSOIR DE DECHARGE | ABLASSKNOPF |
| 60 | 4399256 | ROND. RAME 1/4" (13x19x1,5) | WASHER 1/4" D.13x19x1,5 | RONDELLE 1/4" D.13x19x1,5 | KUPFERSCHEIBE 1/4" D.13x19x1,5 |
| 61 | 3015111 | RIPARTITORE 4 VIE F1/4" | DISTRIBUTION FRAME | REPARTITEUR | VERTEILER |
| 62 | 4198908 | RACCORDO 2020 1/4" F/M | UNION 1/4" | RACCORD 1/4" | ANSCHLUSS 1/4" |
| 63 | 4198883 | RACCORDO S6500 1/4"-8 S.RAPIDO | QUICK UNION 1/4" | RACCORD RAPIDE 1/4" | RACCORD RAPIDE 1/4" |
| 64 | 6615109 | LAMIERA POSTERIORE GT | GT BACK SHEET | TOLE GT ARRIERE | GT HINTERBLECH |
| 65 | 4399903 | RONDELLA 4 | WASHER 4 | RONDELLE 4 | BEILAGSSCHEIBE 4 |
| 66 | 4398945 | VITE AUTOPERFORANTE TCB 4x12,6 | SELF-TAPPING SCREW 4x12,6 | VIS AUTOTARADEUSE 4x12,6 | BLECHSCHRAUBE 4x12,6 |
| 67 | 4198894 | MANICOTTO 2543 1/4" F. | COUPLING 2543 1/4" F | MANCHON 2543 1/4" | MUFFE 2543 1/4" F |
| 68 | 4198883 | RACCORDO S6500 1/4"-8 S.RAPIDO | QUICK UNION 1/4" | RACCORD RAPIDE 1/4" | SCHNELLANSCHLUSS 1/4" |
| 69/A | 4198070 | MANOMET.D.80 600KPA-6BAR-85PSI | PRESSURE GAUGE 600KPA-6BAR | MANOMETRE 600KPA-6BAR-85PSI | MANOMETER 600KPA-6BAR-85PSI |
| 69/B | 3015120 | MANOMETRO D.80 1200KPA-170PSI | PRESSURE GAUGE D.80 1200KPA | MANOMETRE D.80 1200KPA | MANOMETER D.80 1200KPA |
| 70 | 4198670 | COLONNETTA 1/4" H=43 | STUD BOLT 1/4" H=43 | COLONNETTE 1/4" H=43 | BUNDSCHRAUBE 1/4" H=43 |
| 71 | 4198973 | RACCORDO 2090 1/4" MFM | UNION 1/4" | RACCORD 1/4" | ANSCHLUSS 1/4" |



| | | | | | |
|----|---------|---------------------------------|--------------------------------|---------------------------------|-------------------------------|
| 1 | 4198173 | REGOLATORE 1/4" 0-3,5 BAR | REGULATEUR 1/4" 0-3,5 BAR | REGULATOR 1/4" 0-3,5 BAR | DRUCKREGLER 1/4" 0-3,5 BAR |
| 2 | 4198435 | VALV.SIC.1/8"0/4 BAR+RIV.+CAP. | SOUPAPE SECURITE' 1/8" 0/4 BAR | SAFETY VALVE 1/8" 0/4 BAR | SICHERHEITSVENTIL 1/8" 0/4BAR |
| 3 | 4198884 | RACCORDO 6510 1/4"-8 S.RAPIDO | RACCORD 6510 1/4" | UNION 6510 1/4" | ANSCHLUSS 6510 1/4"-8 |
| 4 | 2010781 | GR.REGOLAT.4 BAR USC. GT CE | GRUPPE REGULATEUR PRESS. 4BAR | 4 BAR PRESSURE REGULATOR UNIT | 4BAR-DRUCKREGLERGRUPPE |
| 5 | 4198578 | RACCORDO 6520 1/4"-8/6 GIREV. | RACCORD 6520 1/4"8/6 | ROTATING UNION 1/4"-8/6 | VERSCHRAUBUNG 6520 1/4"-8/6 |
| 6 | 4199797 | RACCORDO 9A/M 1/4" | RACCORD 9A/M 1/4" | UNION 9A/M 1/4" | ANSCHLUSS 9A/M 1/4" |
| 7 | 4196316 | TAZZA LUBRIFICATORE | CUVE DU LUBRIFICATEUR | LUBRICATOR CUP | SCHMIERBECHER |
| 8 | 4196315 | CORPO LUBRIFICATORE | CORPS LUBRIFICATEUR | LUBRICATOR | SCHMIERER |
| 9 | 4196313 | CORPO FILTRO REGOLATORE | CORPS FILTRE | FILTER BODY | FILTERKÖRPER |
| 10 | 4198973 | RACCORDO 2070 1/4" MFM | RACCORD 2070 1/4" | UNION | ANSCHLUSS 2070 1/4" |
| 11 | 4196354 | VALVOLA MVS 2901 DF 1/4" | SOUPAPE MVS 2901 DF 1/4" | VALVE MVS 2901 DF 1/4" | VENTIL MVS 2901 DF 1/4" |
| 12 | 4198938 | RACCORDO 11021 1/4" M USA | RACCORD 11021 1/4" | UNION | VERSCHRAUBUNG 1/4" |
| 13 | 4198883 | RACCORDO 6500 1/4"-8 S.RAPIDO | RACCORD 6500 1/4"-8 RAPIDE | QUICK UNION 6500 1/4"-8 | ANSCHLUSS 6500 1/4" - 8 |
| 14 | 4196314 | TAZZA FILTRO REGOLATORE | CUVE FILTRE | FILTER CUP | FILTERBECKEN |
| 15 | 4298308 | MANOMETRO D.40 0-16 BAR 1/8" | MANOMETRE D.40 0-16 BAR 1/8" | PRESS. GAUGE D.40 0-16 BAR 1/8" | MANOMETER D.40 0-16 BAR 1/8" |
| 16 | 4396593 | VITE TCEI M 4x40 8.8 | VIS 4x40 | SCREW 4x40 | SCHRAUBE 4x40 |
| 17 | 4196481 | LUBRIFIC.1/4" | HUILEUR | LUBRICATOR | SCHMIERER |
| 18 | 4196480 | FILTRO REG. | FILTRE REGULATEUR | FILTER REGULATOR | FILTERREGLER |
| 19 | 4196344 | ATTACCO BAIONETTA 100F 1/4" | ATTELAGE | UNION | VERBINDUNGSSTUECK |
| 20 | 2012307 | GRUPPO LUBRIFICAT + FILTRO REG. | HUILEUR+FILTRE REGULATEUR | LUBRICATOR+FILTER REGULATOR | SCHMIERER+FILTERREGLER |

