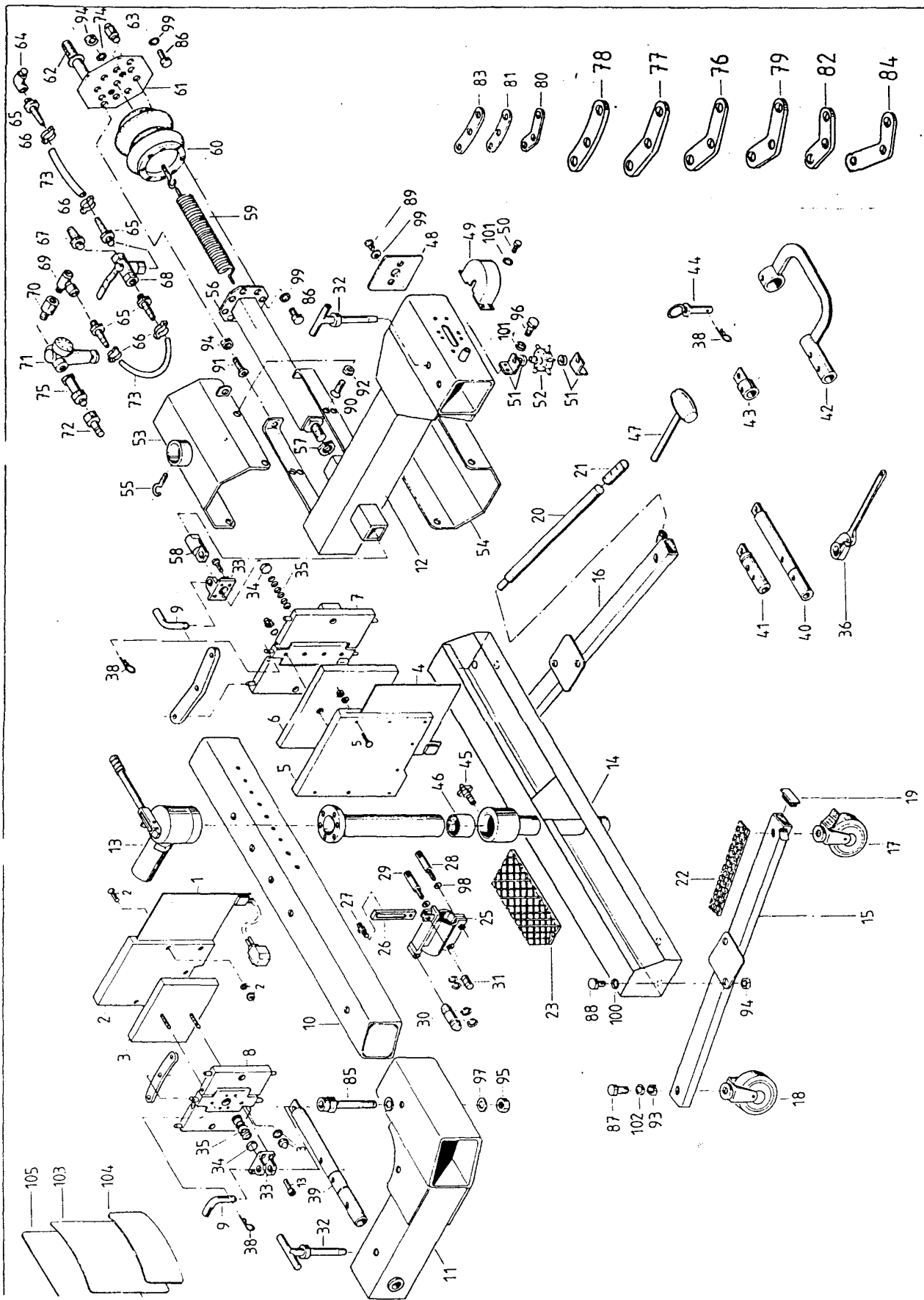


EM Thermopress I
Features and Benefits

- Fully integrated Repair System for O.T.R., Farm and Agriculture, Loader/Dozer, Logger/Skidder, heavy duty Truck Tires
- Radius of two metal-backed pressure plate/heating pads is adjustable to conform to individual tire size and shape, both inside and outside of the tire
- Pressure control of the inside radius and elimination of air bags, eliminate dimpling of the fill / plug area
- Specific pressure on the repair area is adjustable up to 8 bar (118 psi)
- Curing temperature is adjustable to 160 degrees C (320 degrees F)
- A digital timer, automatic temperature control, and pressure controller allows precise control of the machine during cure
- Heating is limited to the repair area only
- Completely portable – minimal space requirements –no permanent mounting – minimizes tire movement and positioning
- Low maintenance cost
- Professional installation, training and start-up
 - **Specifications and Dimensions**
- Tire Size Range: 14.00 to 33.25 Cross-Section
- Power Requirements: 220V/1 Phase/ 60 HZ
- Pressure System: Pneumatic; 8 bar (118 psi)
- Dimensions: 78”W x 51” D x 42” H
- Pressure/Heating Plates: Standard
- #1 Heat Plate / 200mm (8”) x 200mm (8”)
- #2 Heat Plate / 300mm (12”) x 300mm (12”)
- Pressure /Heating Plate Optional
- #3 Heat Plate / 400mm (16”) x 400mm (16”)



EM-Gerät I
16/01/92/1W

Pos. # 4 Outside Heat Mat = 10 ½”
 Pos. # 1 Inside Heat Mat = 7 ½”

Date: September 2000

THERMOPRESS EM 1
Ref. No. 517 7701 Type No. 106-145-0004
 SPARE PARTS LIST

Pos.	Ref. no.	Description
01	517 7732	EM 1 control unit, complete
1	517 5215	Heating mat, size 1 190 x 190 mm 230 V, 350 W
2	517 6207	Heating pocket, size 1, 230 x 230 mm
3	517 6214	Pressure pad, size 1 with fastening bow, 185 x 200 mm
4	517 5222	Heating mat, size 2, 265 x 265 mm, 230 V, 450 W
5	517 5033	Heating pocket, size 2, 330 x 330 mm
6	517 5040	Pressure pad, size 2 with fastening bow, 245 x 295 mm
7	557 8111	Adjustable pressure plate for heating plate 250 x 290 mm
8	557 8128	Adjustable pressure plate for heating plate 185 x 185 mm
9	557 8135	Locking pin for heating element
10	557 8159	Main frame
11	557 8166	Left arm
12	557 8173	Right arm
13	557 8180	Hydraulic height adjusting device (see separate list)
14	558 3508	Main undercarriage with holder for electrical control box
15	558 3515	Left wheel axle frame 1500 mm
16	558 3522	Right wheel axle frame 1500 mm
17	557 8221	Castor Ø 125 with locking device
18	557 8238	Castor Ø 125
19	558 3539	PE cap 80/50/5
20	557 8252	Manoeuvring lever 660 lg.
21	557 8269	Handle Ø 25
22	557 8276	2 rubber mats for wheel axle frames
23	557 8283	Rubber mat for main undercarriage
25	557 8300	Clamping device (for tilting and swivelling device)
26	557 8317	Adjusting clip
27	557 8324	Threaded bolt with square cap M12x67 mm
28	557 8331	Threaded bolt with square cap M14x112 mm
29	557 8348	Threaded bolt with square cap M14x132 mm
30	557 8355	Joining bolt Ø 20 x 141 mm with locking ring
31	557 8362	Joining bolt Ø 12 x 38 mm with locking ring
32	557 8379	Locking pin
33	557 8386	Joint support with hexagon socket screws M8x20 mm
34	557 8393	Washer
35	557 8403	Spring Ø40 x 20,4 x 2,5 mm
36	557 8410	Square wrench SW 17
37	557 8427	Insert for square wrench SW 17
38	557 8434	Safety pin
39	557 8441	Long heating plate shaft - 595 mm

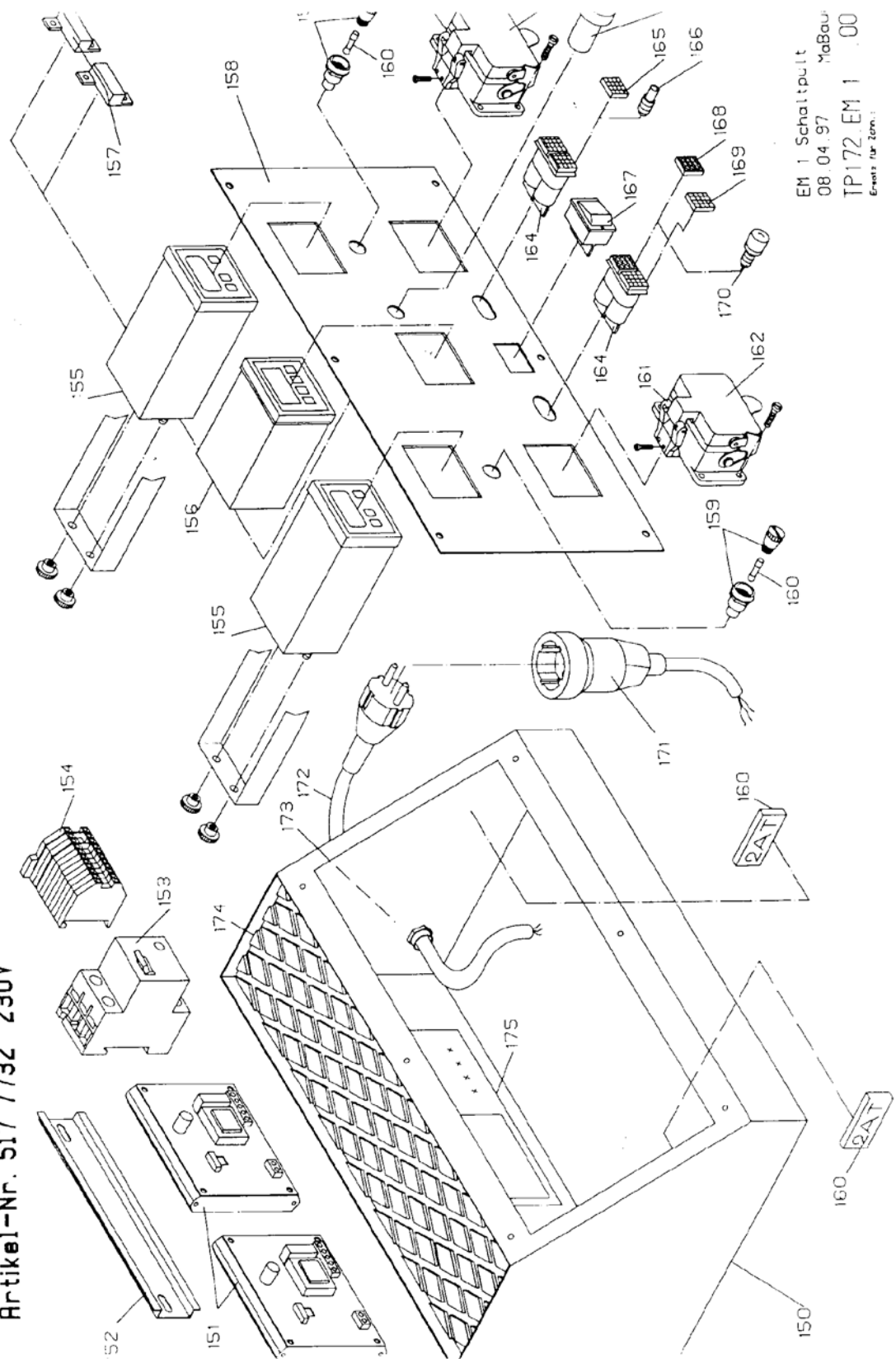
Pos. # 33 585 0554

40	557 8458	Medium size heating plate shaft - 415 mm
41	557 8465	Short heating plate shaft - 200 mm
45	557 1211	Screw with cross handle M12x30 mm
46	557 8496	Slide bearing 707570
47	557 8506	Rubber mallet
48	557 8513	Stop plate - main frame
49	557 8520	Cover for adjusting wheel
50	557 8537	Hexagon head cap screw M6x10 mm
51	557 8544	Fastening with bushing for adjusting wheel
52	557 8551	Adjusting wheel for the mechanical fastening of the frame
53	558 6907	Upper cover for the housing of the air bellow together with bracket and duct for hose
54	557 8575	Lower cover for the housing of the air bellow
55	557 8582	Eye screw M8x50 mm
56	557 8599	Tension rod for air bellow
57	557 8609	Flat nut M33x2 mm - Zn
58	557 8616	Link joint
59	557 8623	Tension spring Ø 50 x 6 x 380 mm
60	557 1479	Air bellow 620M
61	558 6914	Fixing plate for air bellow without bracket
62	557 8647	Rubber handle
63	557 1716	Mini safety valve 1/4"
64	557 8654	Bend 1/4" outside/inside
65	558 6921	Straight hose coupling 1/4"
67	557 1651	Sound absorber 1/4"
68	557 1644	3 way ball valve
69	557 8678	Chocker valve SCO - 344 - 1/4 - 04 - 1/4
70	557 8685	Reducer RI 3/8 x 1/4
71	558 6938	Pressure reducing device 3/8" flow direction left > right
72	557 8692	Insert nipple 3/8" inside
73	557 8702	PVC-fabric hose 8.2/6 - blue - 0.6m
74	557 8719	U-Seal Ø 12.7 mm
75	557 8726	Back pressure valve 3/8"
76	557 3240	Pair of contour segments size 1
77	557 3257	Pair of contour segments size 1
78	557 3264	Pair of contour segments size 1
79	557 3295	Pair of contour segments size 2
80	557 3305	Pair of contour segments size 2
81	557 3312	Pair of contour segments size 2
82	557 3329	Pair of contour segments size 2
83	557 3336	Pair of contour segments size 2
84	557 3343	Pair of contour segments size 2
85	557 0999	Fixing screw M20 x 160 mm - Zn
86	557 8733	Hexagon head cap screw DIN 931 M8x20 mm - Zn
87	558 3553	Hexagon head cap screw DIN 931 M12x75 mm - Zn
88	557 8757	Hexagon head cap screw DIN 933 M10x20 mm - Zn
89	557 1132	Hexagon head cap screw DIN 933 M8x25 mm - Zn
90	557 8764	Flat head screw DIN 7991 - M8x20 mm

91	557 8771	Flat head screw DIN 7991 - M10x30 mm
92	557 1149	Nut DIN 934 - M8 -Zn
93	557 1077	Nut DIN 934 - M12 - Zn
94	557 8788	Lock nut DIN 985 - M10 - Zn
95	557 0047	Lock nut DIN 985 - M20 - Zn
100	557 0937	Washer DIN 125 - Ø10,5 - Zn
101	557 8829	Washer DIN 125 - Ø6,4 - Zn
102	557 1235	Washer DIN 125 - Ø13 - Zn
103	557 8836	Aluminium contour plate 300 x 300 x 2 mm, plain
104	557 8843	Aluminium contour plate 200 x 200 x 2 mm, arched
105	557 8850	Aluminium contour plate 300 x 300 x 2 mm, arched
106	557 8867	Adapter for heating plate shaft 200 mm
107	557 4359	Cable strain relief device for each heating plate
108	557 4366	Suspension for inner heating plate
109	558 3560	Safety bow for TP EM I

Accessories (not included in the shipment)			
42	517 7725		EM-truck tyre adapter
43	557 8472		Heating plate shaft for EM-truck tyre adapter
44	557 8489		Locking pin for EM-truck tyre adapter

L... Steuereinheit
Artikel-Nr. 517 7732 230V



EM 1 Schaltpult
08.04.97 Maßbau
TP172 EM 1 00
Erweit. für Zehn.

EMTP I CONTROL PANEL

Article # 6580

	Position	Art. No.	Description
>	150	557 8874	Housing
>>	151	557 3783	Electrical Overheat Cutout Relay
>	152	557 3790	Mounting Rail
>>	153	557 3796	Safety Switch
>	154	557 4153	Terminal Block
>>	155	557 3972	Tempature Controler / Thermostat
>>	156	557 4012	Digital Timer
>>	157	557 3941	Resister / 25 W
>	158	557 8881	Cover for Housing
>	159	557 3831	Fuse Holder
>	160	557 3855	Set of Spare Fuses
>>	161	557 3800	Connector
>>	162	5 573817	6- Pole Socket
>>	163	557 4029	Start Button
>	164	517 2483	Indicator Lamp Case
>	165	517 2524	Transparent / Clear cover
>	166	517 1305	lamp 3.7 Volts
>>	167	557 8946	On Off Switch / 2 Poles
>	168	517 2517	Green Lamp Cover
>	169	517 2500	Red Lamp Cover
>	170	517 2531	Bulb / Glow Lamp
>	171	517 7220	Safety Adapter Cable
>>	172	557 3903	Cable with Safety Plug / 3M long
>	173	557 3910	Stain relief
>	174	557 3934	Rubber Mat
	175		Wiring Diagram
>	176	557 8142	Cable Chanel / 320 mm

> Service preformed by Qualified Licensed Electrician

>> Service preformed by customer

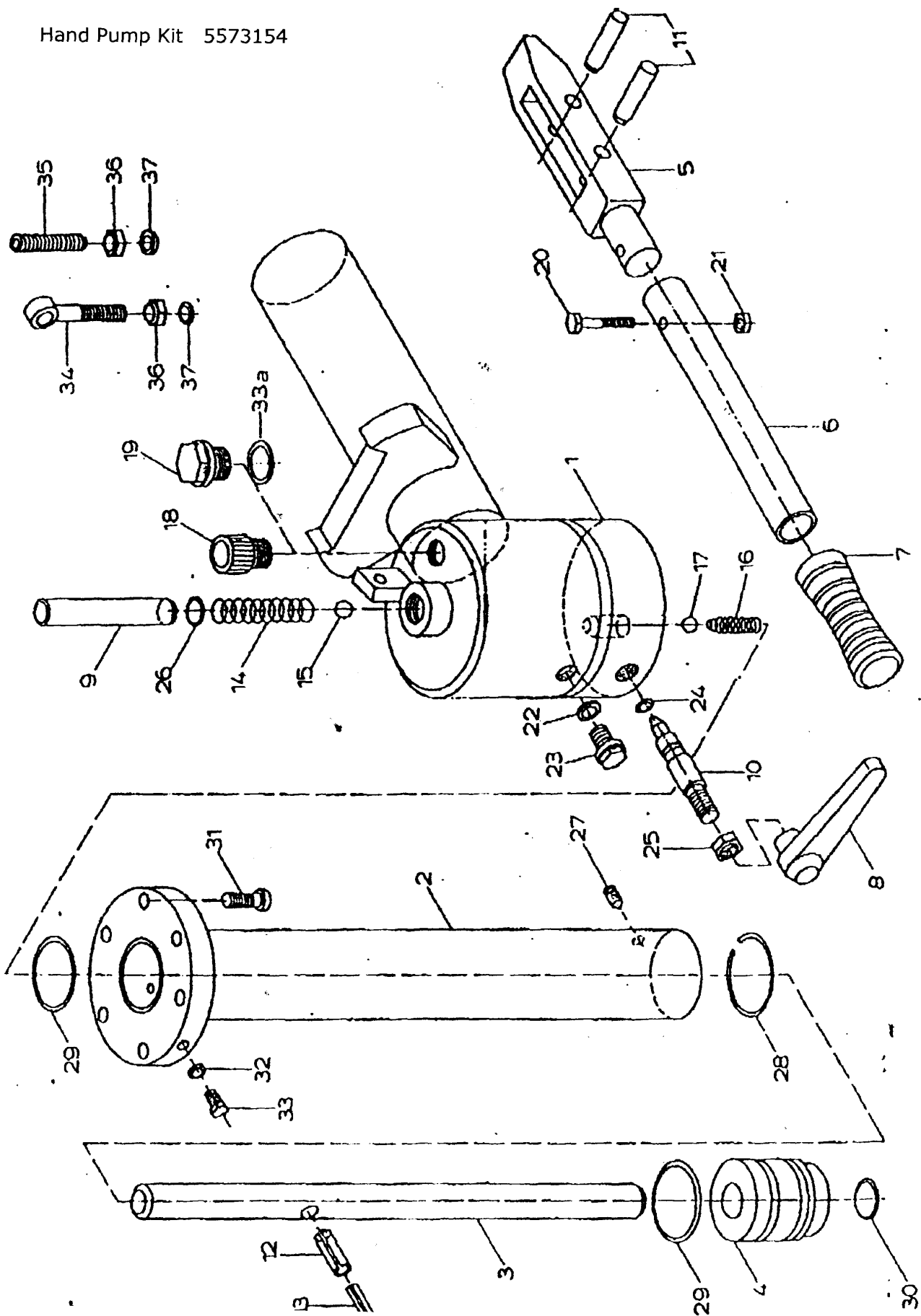
Stand: März / 2001

Ersatzteilliste
 EM I Steuereinheit
 Art. Nr. 517 7732
 Typ Nr. 135-115-0055

	Pos.	Réf. / Art. Nr.	Art. Bezeichnung
>	150	557 8874	Schaltkastengehäuse, ohne Deckel
>>	151	557 3783	Elektrische Temperatur-Begrenzer
>	152	557 3790	Trageschiene 320 mm
>>	153	557 3796	FI-Schutzschalter 2-pol.
>	154	557 4153	Reihenklemblock
>>	155	557 3972	Elektrische Temperaturregler Fe-Konst.
>>	156	557 4012	Digitale Zeitschaltuhr 24 Std.
>>	157	557 3941	Widerstand RS 25W
>	158	557 8881	Gehäusedeckel
>	159	557 3831	Sicherungshalter für Glasrohrsicherung
>	160	557 3855	Ersatzsicherungspaket 2 A, 10 St.
>>	161	557 3800	Anbaugehäuse 6-pol.
>>	162	557 3817	Buchseneinsatz 6-pol.
>>	163	557 4029	Drucktaster für Zeitschaltuhr
>	164	517 2483	Signalleuchten Gehäuse ohne Blende
>	165	517 2524	Blende transparent
>	166	517 1305	Sonderlampe 3,7 V
>>	167	557 8946	Ein/Aus-Schalter, rot beleuchtet 2-pol.
>	168	517 2517	Blende grün
>	169	517 2500	Blende rot
>	170	517 2531	Glimmlampe 230 V
>	171	517 7220	Schuko-Adapterkabel 20 cm
>>	172	557 3903	Zuleitungskabel mit Schukostecker, 3 m
>	173	557 3910	Zugentlastung
>	174	557 3934	Gummiauflage für Schaltkasten
	175		Schaltplan
>	176	557 8142	Kabelkanal 320 mm

- > Nur vom autorisierten TIP TOP Service Techniker auszutauschen
- >> Vom Kunden auszutauschen (Elektrofachmann)

Hand Pump Kit 5573154



Date: September 2000

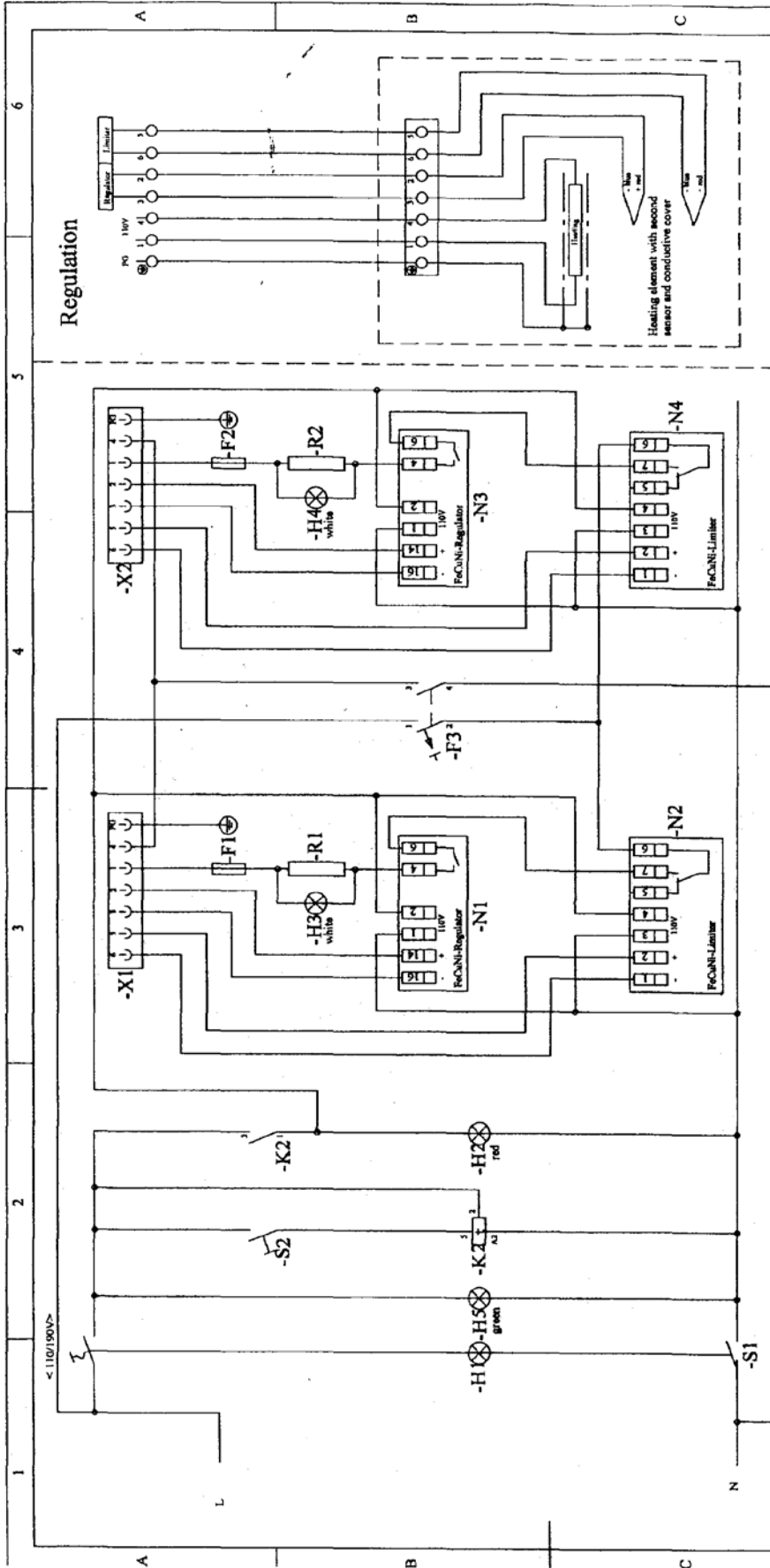
Thermopress Spare Parts List

Thermopress EM I - Hydraulic Jack
Ref. No. 557 8180

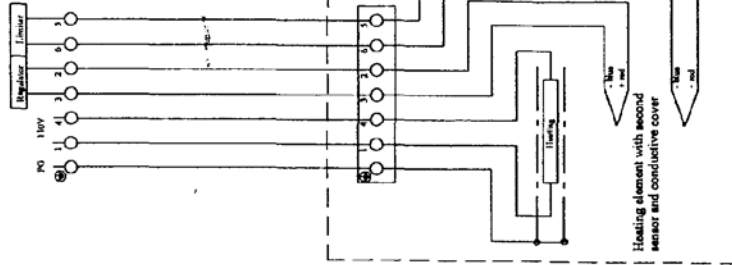
Pos.	Ref. No.	Description
01	557 9134	Pump housing
02	557 9158	Cylinder barrel
03	557 9172	Piston rod TP
04	557 9189	Guide head
05	557 9196	Pumping lever
06	557 9206	Lever arm
07	557 9213	Rubber handle Ø 22
08	557 9220	Drain valve lever, adjustable
09	557 9237	Piston of pump
10	557 9244	Valve spindle
11	557 9251	Straight pin DIN 9325 - 10 x 35
12	557 9268	Clamping sleeve DIN 1481 - 10 x 50
13	557 9275	Clamping sleeve DIN 1481 - 6 x 50
14	557 9282	Piston restoring spring Lo 95 x Da 13 x Ø 1.5
15	557 9299	Valve ball RB 10
16	557 9309	Spring for back pressure valve
17	557 9316	Valve ball RB 8
18	557 9323	Vent screw GN 542/M 18 x 1.5 A2
19	557 9330	Screw plug DIN 7604 - M 18 x 1.5
20	557 9347	Hexagon head cap screw DIN 931 - M 6 x 30
21	557 9354	Lock nut DIN 985 - M 6
22	557 9361	Copper ring Ø 12 x 16
23	557 9378	Screw plug DIN 7604 - M 12 x 1.5
24	557 9385	O-ring 011-8307
25	557 9392	Flat nut DIN 936 - M 12
26	557 9402	O-ring 207-8307
27	557 9419	Set screw DIN 914 - M 8 x 6
28	557 9426	Circlip DIN 7993 - B 60 x 3.2
29	557 9433	O-ring 226-8307
30	557 9440	O-ring 212-8307
31	557 9457	Fillister head screw DIN 912 - M 10 x 25
32	557 9464	Copper ring Ø 6 x 10
33	557 9471	Hexagon head cap screw DIN 933 - M 6 x 8
33a	557 9488	Copper ring Ø 18 x 22

First machine version

34	557 9495	Eye bolt DIN 444 - M 10 x 60
35	557 9505	Set screw DIN 914 - M 10 x 40
36	557 9512	Lock nut DIN 985 - M 10



Regulation



Keys

- F1... Fine-wire fuse 2A
- F2... Fine-wire fuse 2A
- F3... Residual-current-operated circuit-breaker
- H1... Ready-to-operate display
- H2... Enable-heating time is running
- H3... Heating is operation
- H4... Heating is operation
- H5... Main switch on
- N1... Regulator heating pad small
- N2... Limiter heating pad small
- N3... Regulator heating pad large
- N4... Limiter heating pad large
- R1... Resistor
- R2... Resistor
- S1... Main switch
- S2... Touch contact start
- K2... Timer
- X1... Socket 6- contact
- X2... Socket 6- contact
- ⊕... Protective ground

CAD diagram		Scale: whitout		A4	
Project	Date	Name	Material:		
175Sep1995	175Sep1995	Faller	Control EMI Heating		
Released			135-115-0055		
Standard			Sheet 2 of 2		
Horn SILICON METALL TERLON VERBODERTUNG					
7534 Geseandigen Geseandigen 14 Tuisdor: 07731/7600-0 Telefax: 07731/7600-6 Telefax: 07731/7600-1					
Status	Change history	Date	Name		

We hold exclusive proprietary rights on this diagram. The reproduction or transmission of this diagram to any third party is not permitted without our prior express written consent. We reserve all rights in the event of a patent being granted or a utility design being registered.