

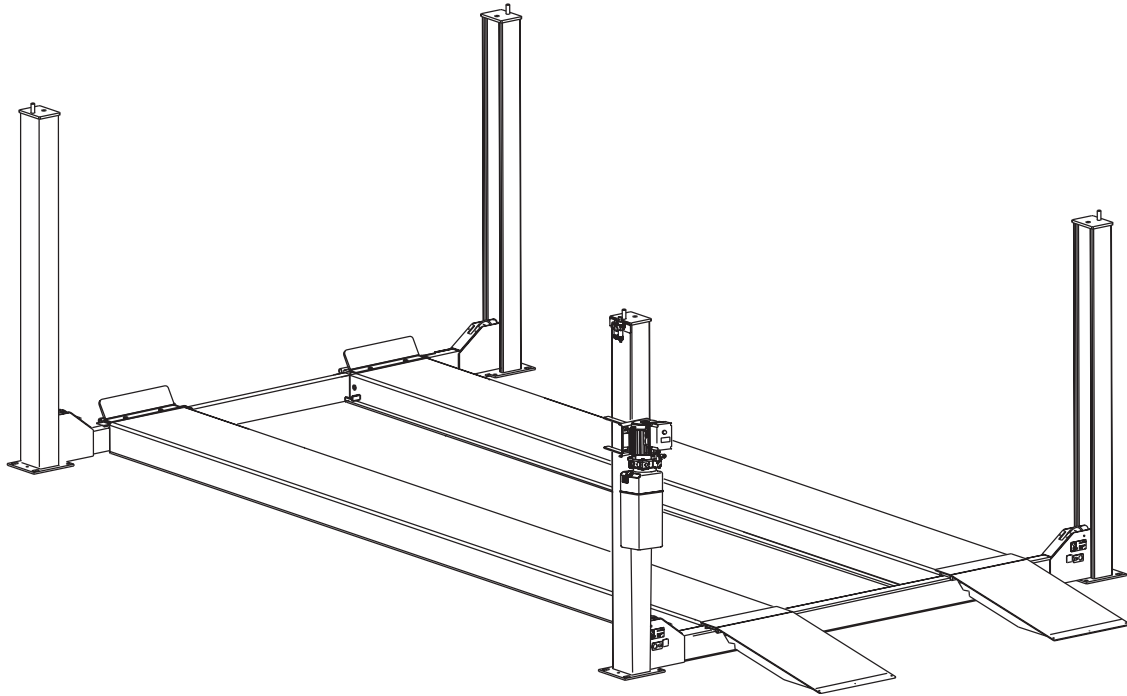


AR123/SM123

Four Post Surface Mounted Lift

Capacity 12,000 lbs. (6,000 lbs. per axle)

Maximum Wheelbases of 206-1/2", 182-1/2" & 158-1/2"



P
A
R
T
S

B
R
E
A
K
D
O
W
N

IMPORTANT: When ordering parts or requesting service always give exact model and power unit serial number. Model number is shown on nameplate attached to air lock release valve. Power unit serial number is located on side of power unit.

OWNERS RECORD
Complete information
at right and keep in
a safe place.

Date Installed _____

Installed in Bay # _____

Power Unit Serial # _____

Power Unit Model # _____

Lift Serial # _____

Lift Model # _____

NOTE: For replacement parts -See your nearest Rotary Parts Distributor.

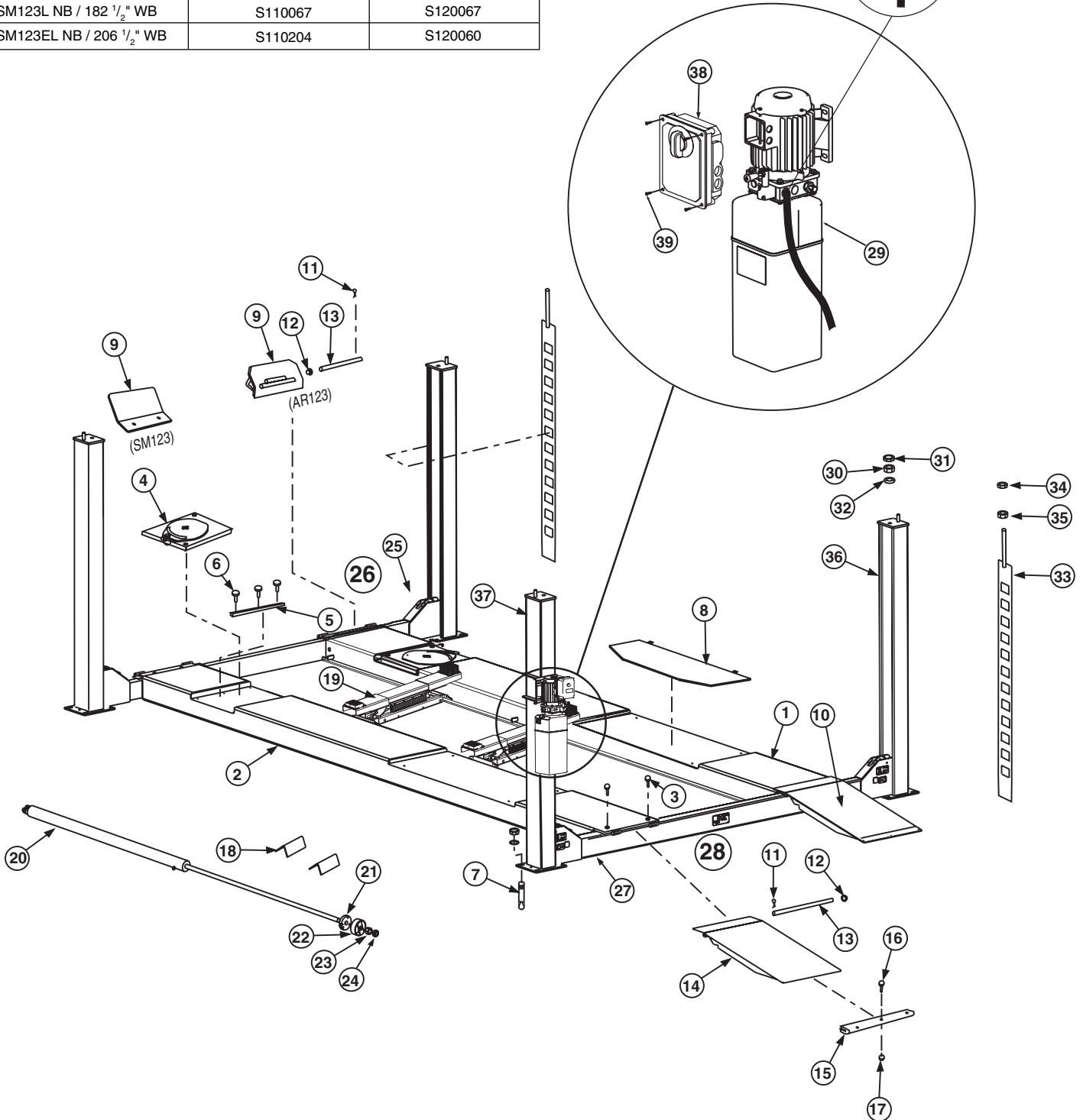
PB 2-3-3-5

Rev. J 07/27/2005

LP30068

RUNWAY TABLE		
LIFT MODEL	Left Hand Runway Assembly <i>(Includes cylinder, cables and sheaves)</i>	Right Hand Runway Weldment
AR123S / 158 1/2" WB	S110042	S120101
AR123L / 182 1/2" WB	S110036	S120099
AR123EL / 206 1/2" WB	S110030	S120096
SM123S / 158 1/2" WB	S110038	S120085
SM123L / 182 1/2" WB	S110032	S120067
SM122EL / 206 1/2" WB	S110026	S120060
SM123S NB / 158 1/2" WB	S110045	S120085
SM123L NB / 182 1/2" WB	S110067	S120067
SM123EL NB / 206 1/2" WB	S110204	S120060

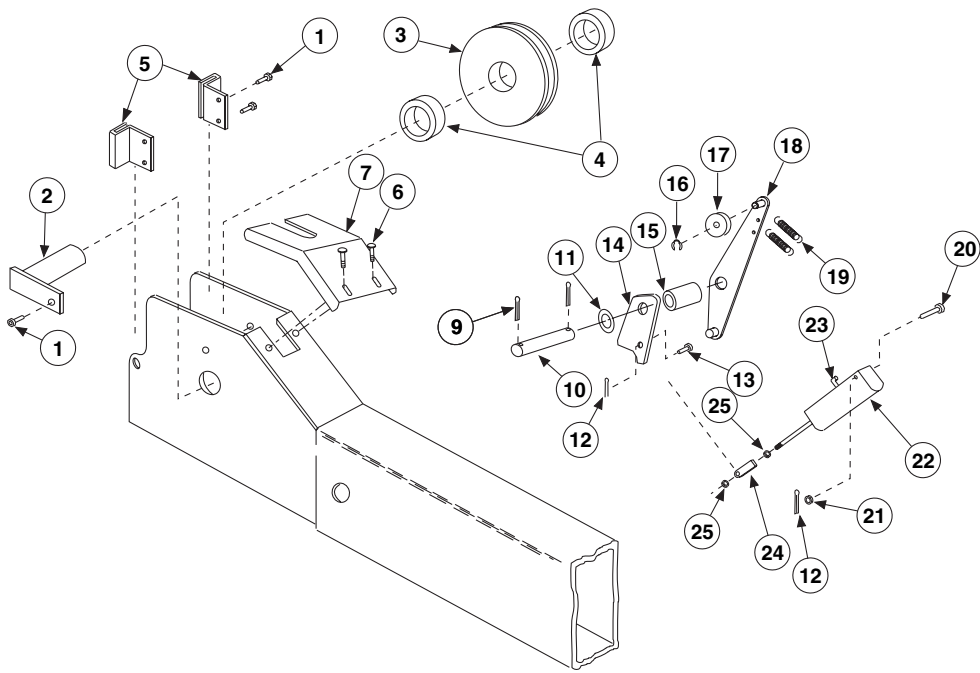
P1028-4 (Used on some models between Power Unit and Hose.)



SM123 / AR123 PARTS			
ITEM NO.	DESCRIPTION	PART NO.	
		SM123 / AR123	
1	R.H. Runway Assembly	Refer to Table on Opposite Page	
2	L.H. Runway Assembly (Includes cylinder, cables and sheaves)		
3	1/2" — 13NC x 1 1/4" Flg. Whiz-Lock HHCS (High Strength)	40279	
4	Turning Radius Gauge Ass'y.	FA5157	
5	Turntable Guide Bar	FA5153-1	
6	5/16"-18NC x 5/8" Whiz-Lock	42073	
7	5/8" Anchor Bolt	FC5228	
8	Rear Slip Plate Kit * * For Slip Plate Parts, See Slip Plate Parts Breakdown-Later In Booklet	FC5249	
9	Wheel Stop (ARO)	FC134-13	
	Wheel Stop (SMO)	FC342	
*10	Ramp Chock Assembly (Standard)	S110016	
	Ramp Chock Assembly (Extended)	S110064	
11	5/32" x 1" Lg. Cotter Pin	41202	
12	5/8" Push Nut Fastener — TRW #PW625019 Or Equal	FC5179-4	
13	Hinge Pin	FC134-99	
14	Ramp Chock Weld (Standard)	S120072	
	Ramp Chock Weld (Extended)	S120164	
15	Ramp Chock Slide	FC134-33	
16	#10-24NC x 3/4" SLTRUSSHMS	40050	
17	#10-24NC Flg. Whiz-Lock Nut	40633	
18	Triangular Wheel Chock	FC320	
19	Rolling Jack	SB300001	
20	Hydraulic Cylinder	S130002	
21	Cable Pull Bar	S120075	
22	Cable Retainer	S120068	
23	1 3/8"-6NC Hex Nut	40771	
24	1 3/8"-6NC Hex Jam Nut	40773	NARROW BAY
25	Front Yoke Weldment	S120084	S120159
26	Front Yoke Ass'y (Including Latches)	S110022	S110061
27	Rear Yoke Weldment	S120078	S120158
28*	Rear Yoke Ass'y (Including Latches)	S110024	S110062
29*	1Ø Power Unit (See Note Below For SM123-906)	P1350	
	3Ø Power Unit (See Note Below For SM123-906)	P1047	
30	7/8"-9NC Hex Nut	40765	
31	7/8"-9NC Hex Jam Nut	40766	
32	7/8" Flat Washer	41073	
33	Latch Bar	S120028	
34	3/4"-10NC Hex Jam Nut	40759	
35	3/4"-10NC Hex Nut	40760	
36	Column	S110049	
37	Power Unit Column	S120033	
38	Control Box	FA7203	
	Capacitor Box	FA7147-1	
	Capacitor Box Cover Plate	FA7203-1	
	Drum Switch	FA7205	
	Drum Switch Handle	FA7205-1	
39	M5 x 10 PHMS, Plated	40275	

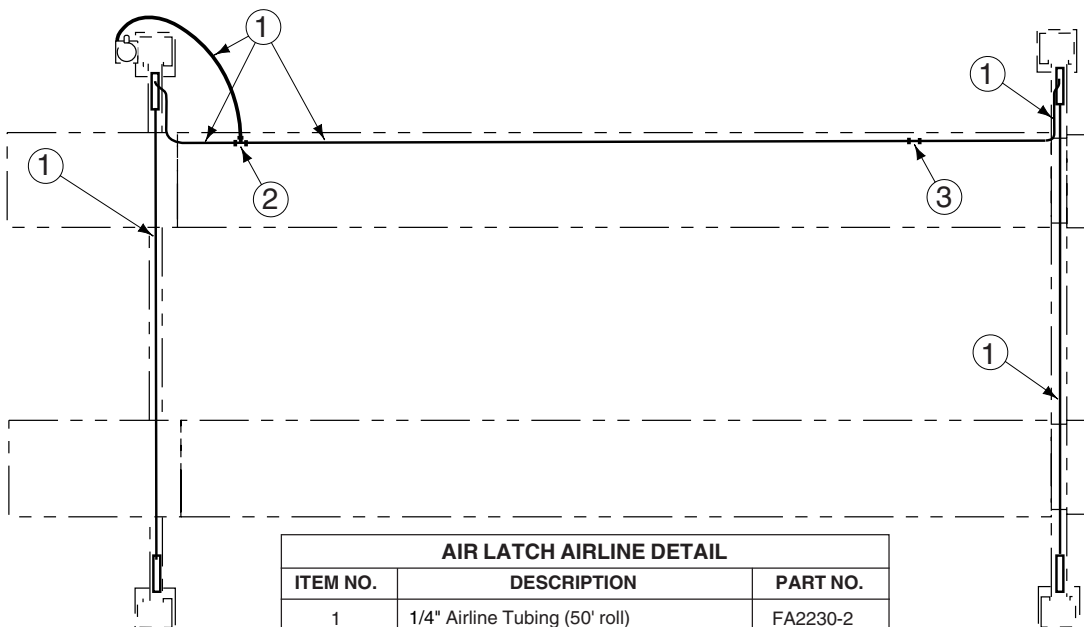
***NOTE:** The Part# for the SM123-901/SM123-910 Ramp Chock Assembly is S110064

***NOTE:** The Part# for the SM123-906 50Hz. Power Unit is S110064



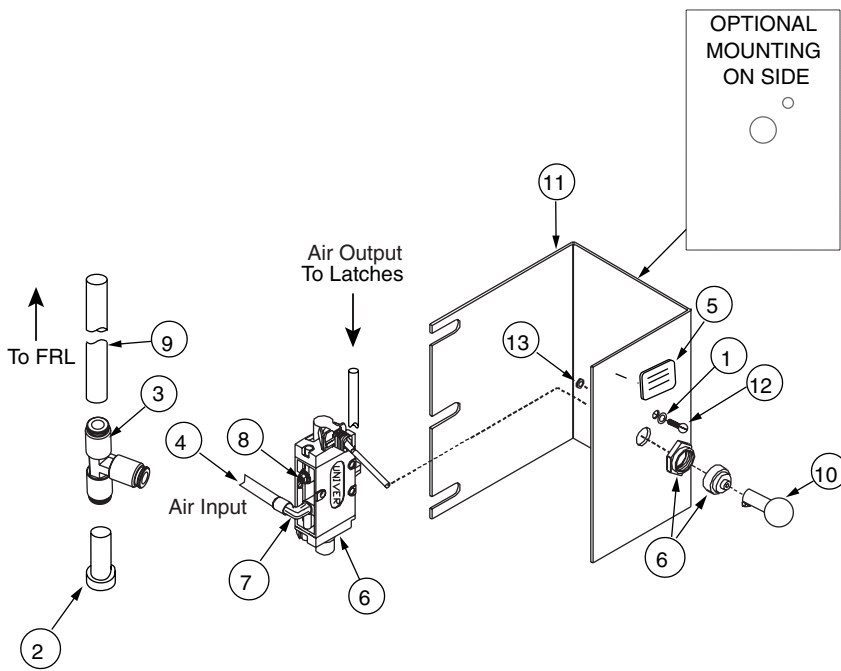
YOKE END DETAIL

ITEM	DESCRIPTION	PART NO.	ITEM	DESCRIPTION	PART NO.
1	5/16"-18NC x 3/4" Lg. Hex Head Cap Screw	40252	14	Latch	FC5706-10
2	Sheave Pin	standard	15	Spacer	FC5706-09
		chrome plated	FC5728-7	16	3/8" Snap Ring TRUARC #5304-37
3	Sheave	FC5804-2	17	Slack Cable Roller	FC553-21
4	Yoke Sheave Spacer	FC5927-10	18	Kicker	S120103
5	Slider	FC5706-16	19	Extension Spring	FC522-25
6	Nylon Tree Rivet	S130120	20	Clevis Pin	S130051
7	Guard	FC5802-18	21	1/4" Flat Washer	40782
8	Number Not Used	N/A	22	Air Cylinder	1-Port \ S130061
9	Cotter Pin, 1/8" X 1 1/4"	41201			2-Port \ S130017
10	Latch Shaft	FC5901-7	23	Elbow	FC5224-39
11	Washer	FC5301-98	24	Clevis	FC5706-7
12	1/4" Hairpin Cotter Pin (.05" dia. wire)	41901	25	1/4" -28NF Hex Nut	40622
13	Clevis Pin	S130051			

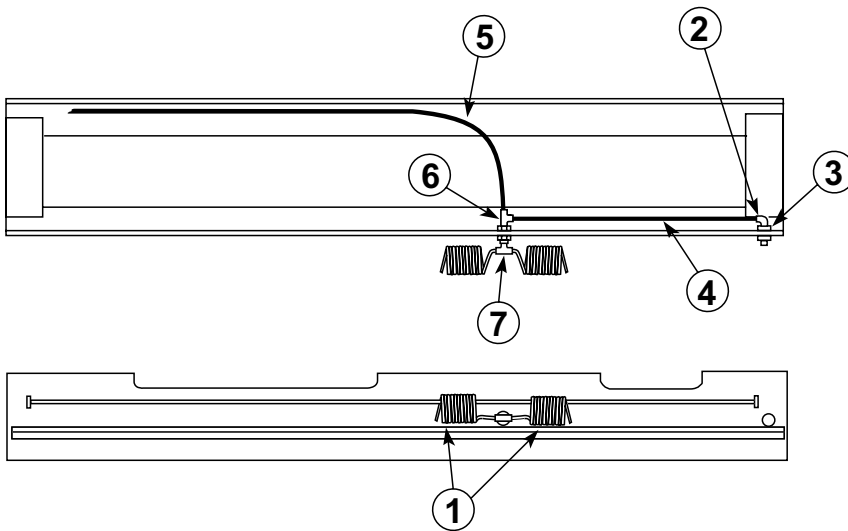


AIR LATCH AIRLINE DETAIL

ITEM NO.	DESCRIPTION	PART NO.
1	1/4" Airline Tubing (50' roll)	FA2230-2
2	Union Tee	FC5225-46
3	Union	FC5225-98

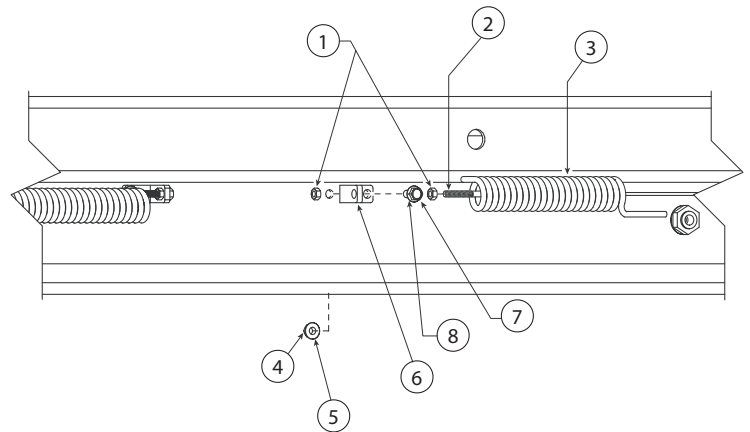


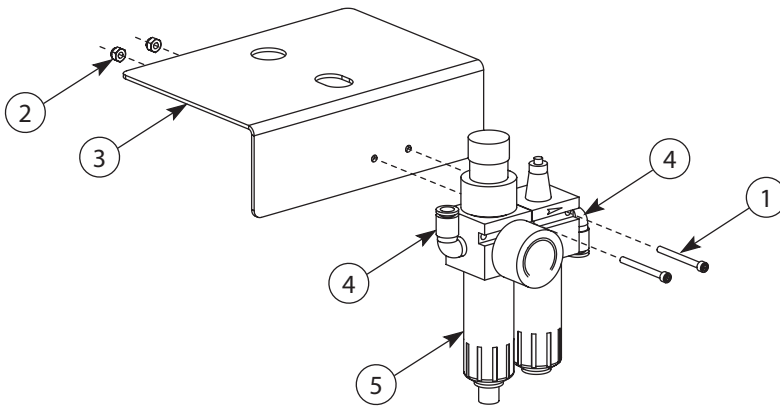
AIR LOCK RELEASE VALVE DETAIL		
ITEM NO.	DESCRIPTION	PART NO.
1	#8 SAE Flat Washer	40788
2	3/8" Plug	FA2230-16
3	Union Tee	FA2242-1
4	1/4" Tubing	FC2230-2
5	Nameplate	NP280
6	Control Ass'y.	T140073
7	Swivel Elbow	T140074
8	Filter / Muffler	T140075
9	3/8" tubing (40ft roll)	FA2230-15
10	Air Lock Handle	T140119
11	Control Bracket	FA3217
12	#8-32NC x 1-1/2" PHMS	40007
13	#8-32NC Nylon Locknut	40649



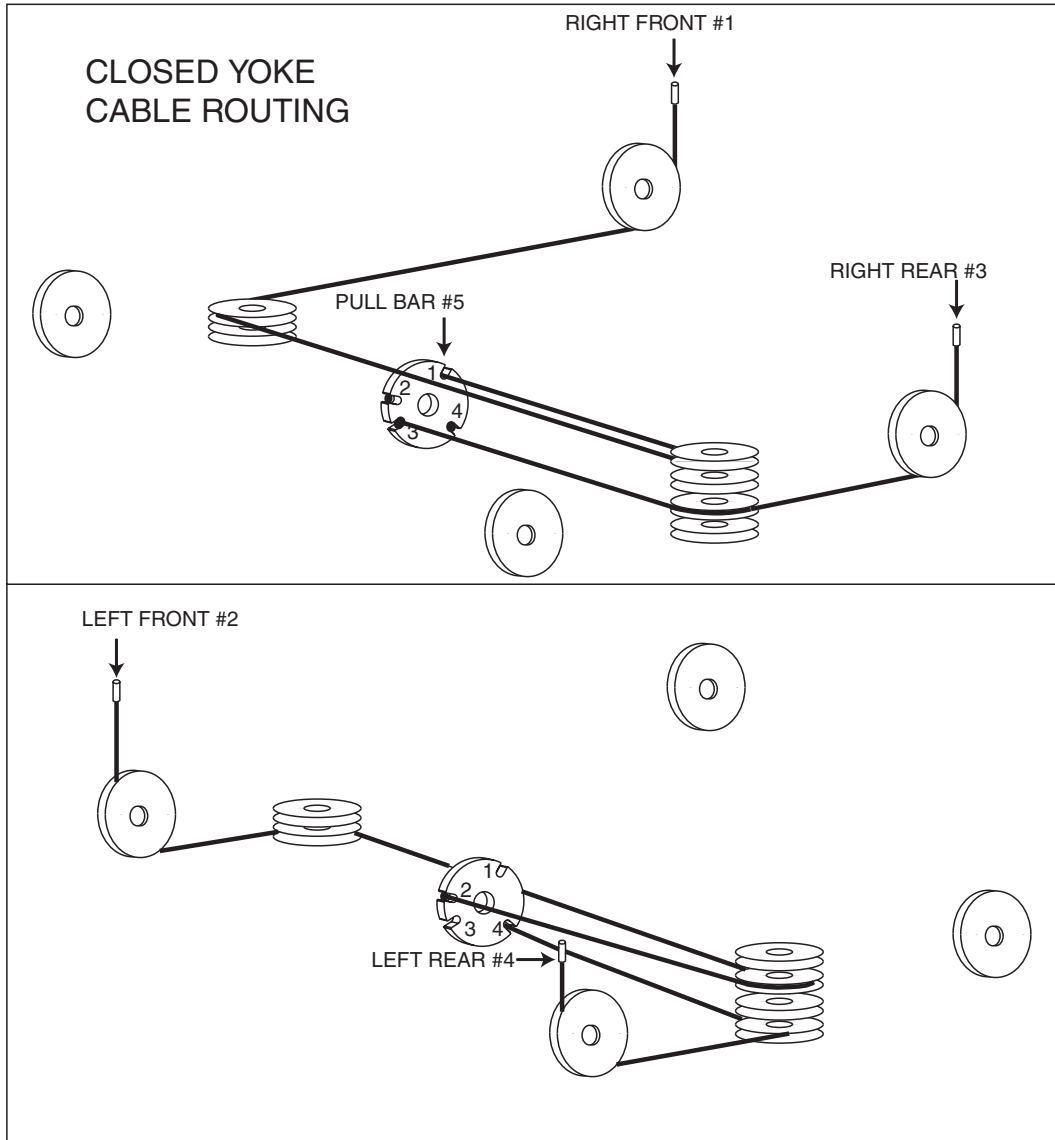
INTERNAL AIRLINE PARTS		
ITEM NO.	DESCRIPTION	PART NO.
1	Recoil Hose	FC147-14
2	Male Elbow	FC147-7
3	Female Bulkhead	FC147-1
4	Runway Tubing	FC147-6
5	Tubing	FC5313-2
6	Male Run Tee	FC147-3
7	Male Branch Tee	FC147-5

Retainer Cable Detail		
ITEM NO.	DESCRIPTION	PART NO.
1	1/4" x 20NC Hex Nut	40625
2	Airline Retainer Cable (182"/206")	S130078
	Airline Retainer Cable (158")	XS130063
3	Recoil Hose	-
4	3/8" Nut	40660
5	3/8" Lockwasher	40845
6	Retainer Bracket	FC147-9
7	3/8"-16NC x 3/4" Lg. HHCS	40130
8	3/8" Flat Washer	40820



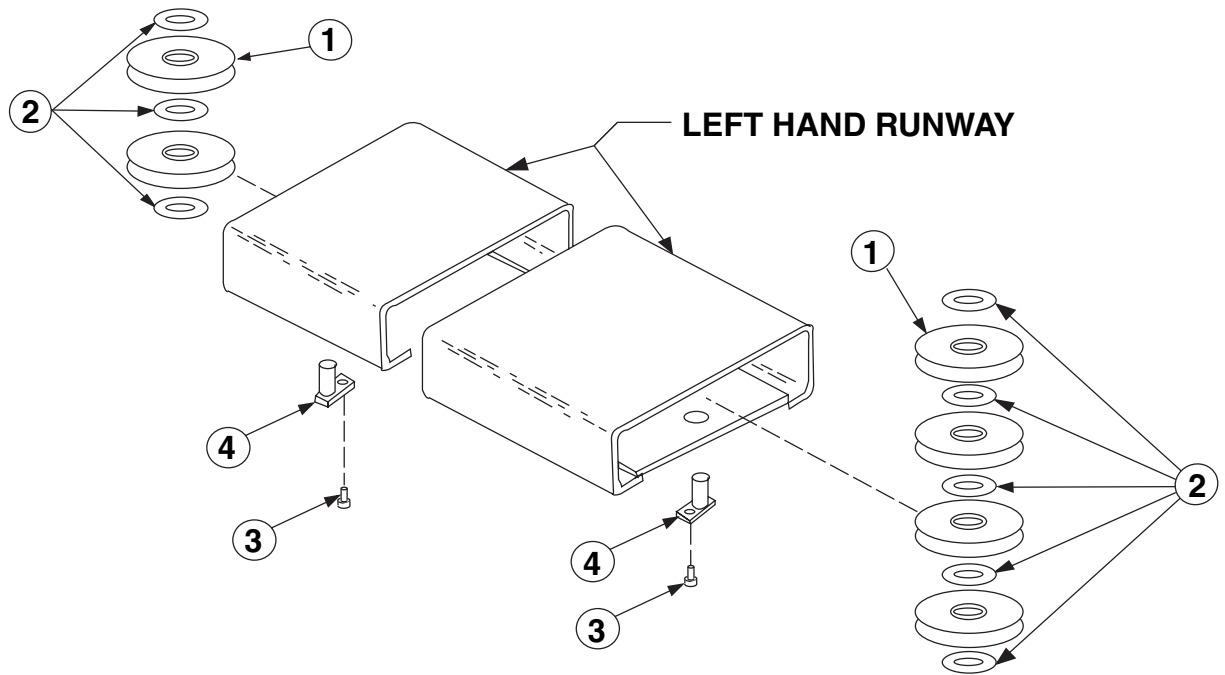


FRL DETAIL		
ITEM NO.	DESCRIPTION	PART NO.
1	#8-32 x 1-3/4" Hex SHCS	40432
2	#8-32 Nylon Lock Nut	40649
3	Adapter Bracket	S120569
4	Elbow	FC147-7
5	Filter/Regulator/Lubricator	S130065

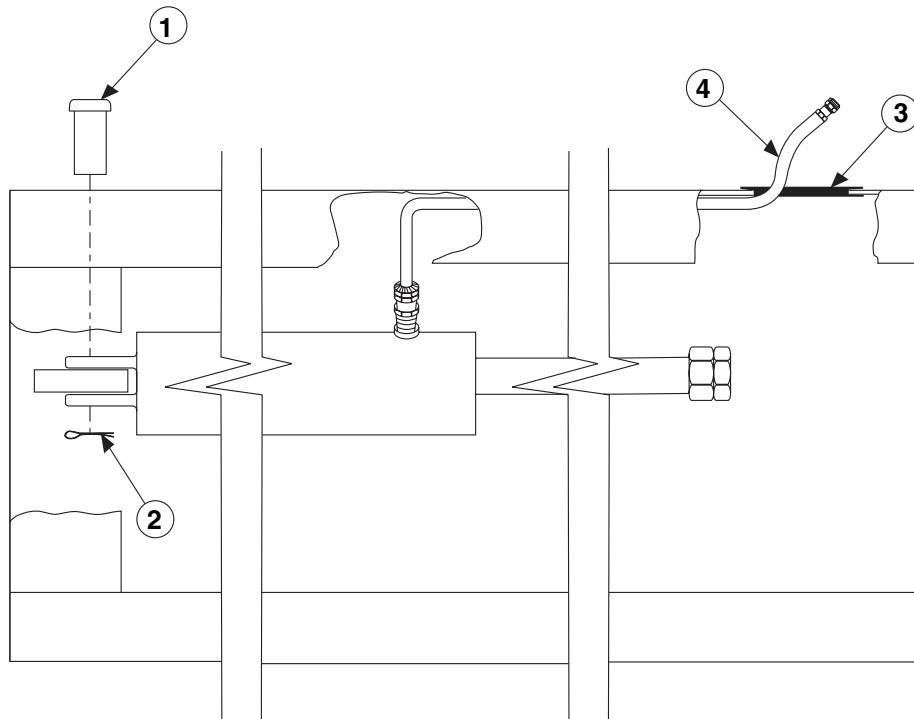


ITEM NO.	CABLES DESCRIPTION	PART NO.					
		SM/AR123			SM/AR123NB		
		158 1/2"	182 1/2"	206 1/2"	158 1/2"	182 1/2"	206 1/2"
1	Right Front Cable	S130027	S130025	S130021	S130033	S130041	S130138
2	Left Front Cable	S130026	S130024	S130020	S130032	S130040	S130137
3	Right Rear Cable	S130019	S130019	S130019	S130039	S130039	S130039
4	Left Rear Cable	S130018	S130018	S130018	S130038	S130038	S130038
5	Pull Bar	S120075	S120075	S120075	S120075	S120075	S120075

* CABLE RETAINER NOT SHOWN TO CLARIFY ILLUSTRATION OF CABLE ROUTING



SHEAVE DETAIL		
ITEM NO.	DESCRIPTION	PART NO.
1	Sheave	FC5804-2
2	Plastic Bearing	FC5843-3
3	5/16"-18NC HHCS x 3/4" Lg.	40401
4	Sheave Pin (Standard)	FC555-1
	Sheave Pin (Chrome)	FC5728-7



HYDRAULIC HOSE DETAIL			
ITEM NO.	DESCRIPTION		
1	Clevis Pin	FC5346-1	
2	3/16" x 1-1/4" Lg. Cotter Pin	41247	
3	Grommet	2 1/2" Hole	S130015
		1 1/2" Hole	S130063
4	Hose	S130012	

DATE REV. CHANGE MADE

07-27-05 J Item #17 (#10-24NC Fig. Whiz-Lock Nut) part number 40633 was calling out S120030.

Rotary World Headquarters

2700 Lanier Drive
Madison, IN 47250, USA
www.rotarylif.com

North America Contact Information

Tech. Support: p 800.445.5438
f 800.578.5438
e userlink@rotarylif.com
Sales: p 800.640.5438
f 800.578.5438
e userlink@rotarylif.com

World Wide Contact Information

World Headquarters/USA: 1.812.273.1622
Canada: 1.905.812.9920
European Headquarters/Germany: +49.771.9233.0
United Kingdom: +44.178.747.7711
Australasia: +60.3.7660.0285
Latin America / Caribbean: +54.3488.431.608
Middle East / Northern Africa: +49.771.9233.0

© Rotary®, Printed in U.S.A., All Rights Reserved. Unless otherwise indicated, ROTARY, DOVER and all other trademarks are property of Dover Corporation and its affiliates.



A **DOVER** COMPANY

