

MOHAWK



MADE IN THE USA

MODEL SYSTEM -IA

9,000 LB. CAPACITY TWO POST
VEHICLE LIFT MANUAL

*Thank You
For Sending In Your
Warranty Registration
Card*

- INSTALLATION
- OPERATION
- MAINTENANCE
- PARTS

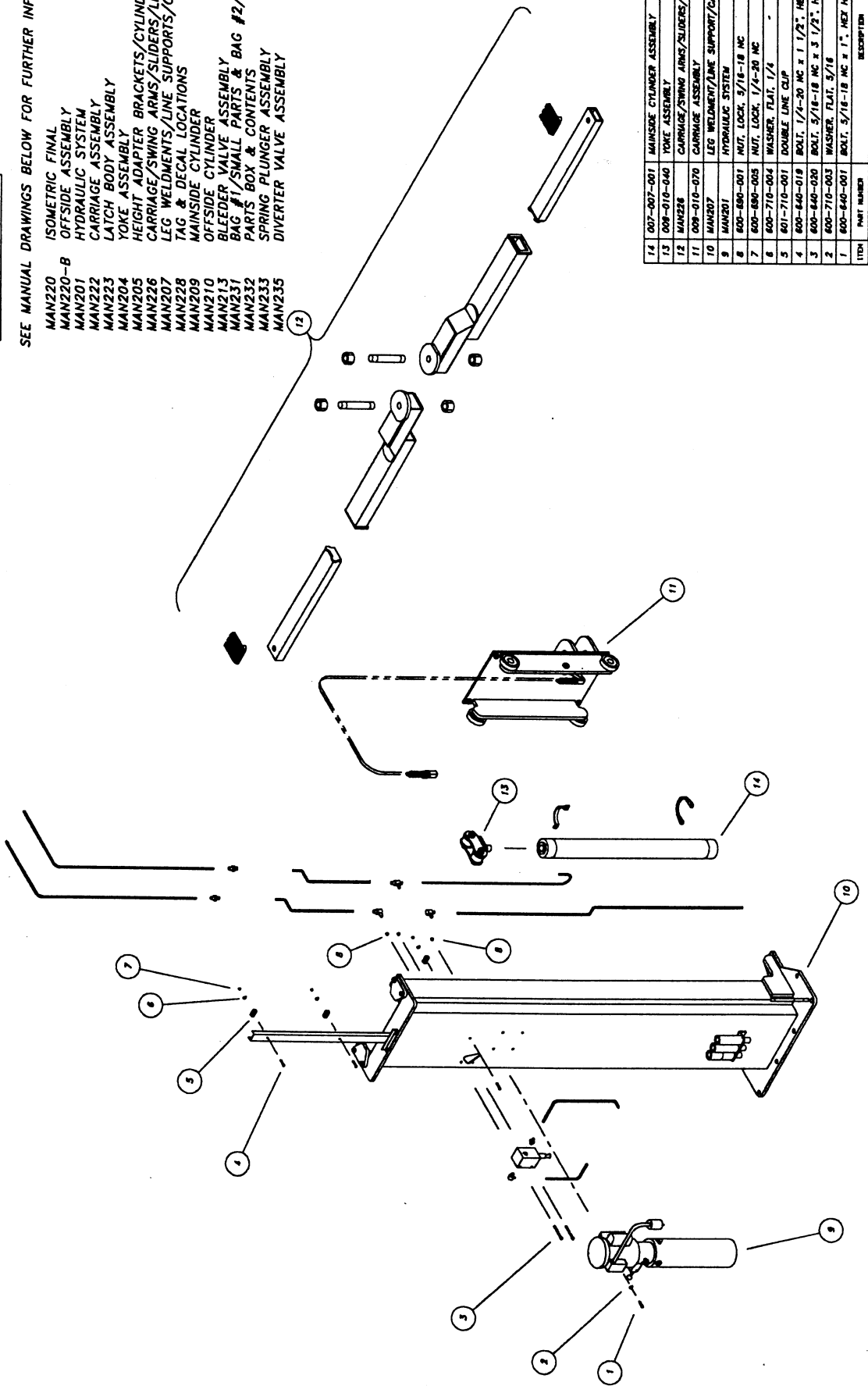
*Mohawk Service
Department*



MAN220-A

SEE MANUAL DRAWINGS BELOW FOR FURTHER INFORMATION

- MAN220 ISOMETRIC FINAL
- MAN220-B OFFSIDE ASSEMBLY
- MAN201 HYDRAULIC SYSTEM
- MAN222 CARRIAGE ASSEMBLY
- MAN223 LATCH BODY ASSEMBLY
- MAN204 YOKE ASSEMBLY
- MAN205 HEIGHT ADAPTER BRACKETS/CYLINDER RETAINERS
- MAN226 CARRIAGE/SWING ARMS/SLIDERS/LIFTING PADS
- MAN207 LEG WELDMENTS/LINE SUPPORTS/CARRIAGE STOPS
- MAN209 TAG & DECAL LOCATIONS
- MAN210 MAINSIDE CYLINDER
- MAN213 OFFSIDE CYLINDER
- MAN231 BLEEDER VALVE ASSEMBLY
- MAN232 BAG #1/SMALL PARTS & BAG #2/SHIMS
- MAN233 PARTS BOX & CONTENTS
- MAN235 SPRING PLUNGER ASSEMBLY
- MAN235 DIVERTER VALVE ASSEMBLY



| ITEM | PART NUMBER | DESCRIPTION | QTY |
|------|-------------|--|-----|
| 14 | 607-007-001 | MAINSIDE CYLINDER ASSEMBLY | 1 |
| 13 | 008-010-040 | YOKE ASSEMBLY | 1 |
| 12 | MAN228 | CARRIAGE/SWING ARMS/SLIDERS/LIFTING PADS | 1 |
| 11 | 009-010-070 | CARRIAGE ASSEMBLY | 1 |
| 10 | MAN207 | LEG WELDMENT/LINE SUPPORT/CARRIAGE STOPS | 1 |
| 9 | MAN201 | HYDRAULIC SYSTEM | 1 |
| 8 | 600-680-001 | NUT, LOCK, 5/16-18 NC | 6 |
| 7 | 600-680-005 | NUT, LOCK, 1/4-20 NC | 3 |
| 6 | 600-710-004 | WASHER, FLAT, 1/4 | 3 |
| 5 | 601-710-001 | DOUBLE LINE CLIP | 3 |
| 4 | 600-640-018 | BOLT, 1/4-20 NC x 1 1/2", HEX HEAD CAP | 2 |
| 3 | 600-640-030 | BOLT, 5/16-18 NC x 3 1/2", HEX HEAD CAP | 2 |
| 2 | 600-710-003 | WASHER, FLAT, 5/16 | 4 |
| 1 | 600-640-001 | BOLT, 5/16-18 NC x 1", HEX HEAD CAP | 4 |

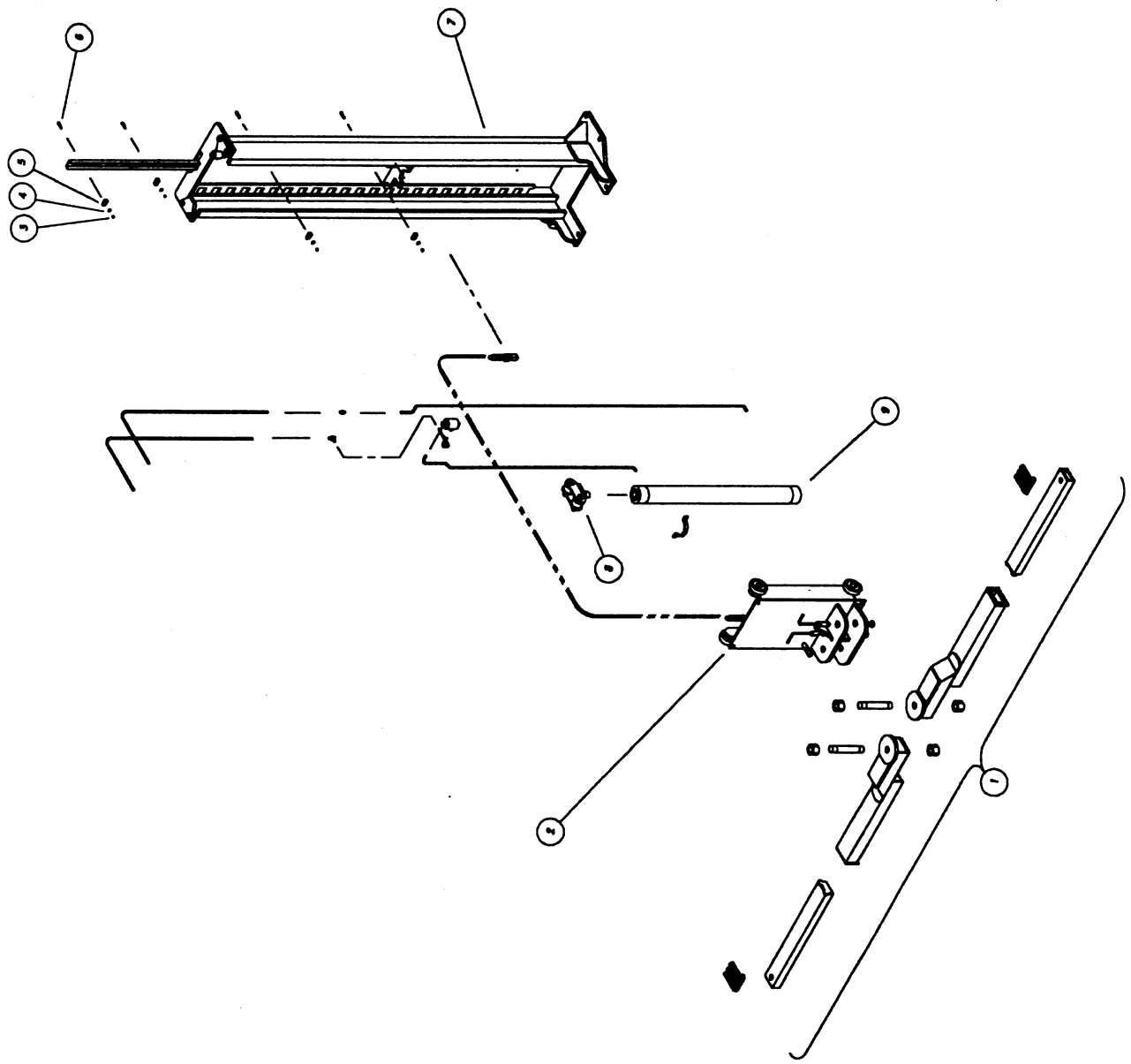
SYSTEM 1A MAINSIDE ASSEMBLY

FILE: MAN220-A
DATE: 4/96

MAN220-B

SEE MANUAL DRAWINGS BELOW FOR FURTHER INFORMATION

- MAN220 ISOMETRIC FINAL
- MAN220-A MAINSIDE ASSEMBLY
- MAN201 HYDRAULIC SYSTEM
- MAN222 CARRIAGE ASSEMBLY
- MAN223 LATCH BODY ASSEMBLY
- MAN204 YOKE ASSEMBLY
- MAN205 HEIGHT ADAPTER BRACKETS/CYLINDER RETAINERS
- MAN226 CARRIAGE/SWING ARMS/SLIDERS/LIFTING PADS
- MAN207 LEG WELDMENTS/LINE SUPPORTS/CARRIAGE STOPS
- MAN228 TAG & DECAL LOCATIONS
- MAN209 MAINSIDE CYLINDER
- MAN210 OFFSIDE CYLINDER
- MAN213 BLEEDER VALVE ASSEMBLY
- MAN231 BAG #1/SMALL PARTS & BAG #2/SHIMS
- MAN232 PARTS BOX & CONTENTS
- MAN233 SPRING PLUNGER ASSEMBLY
- MAN235 DIVERTER VALVE ASSEMBLY

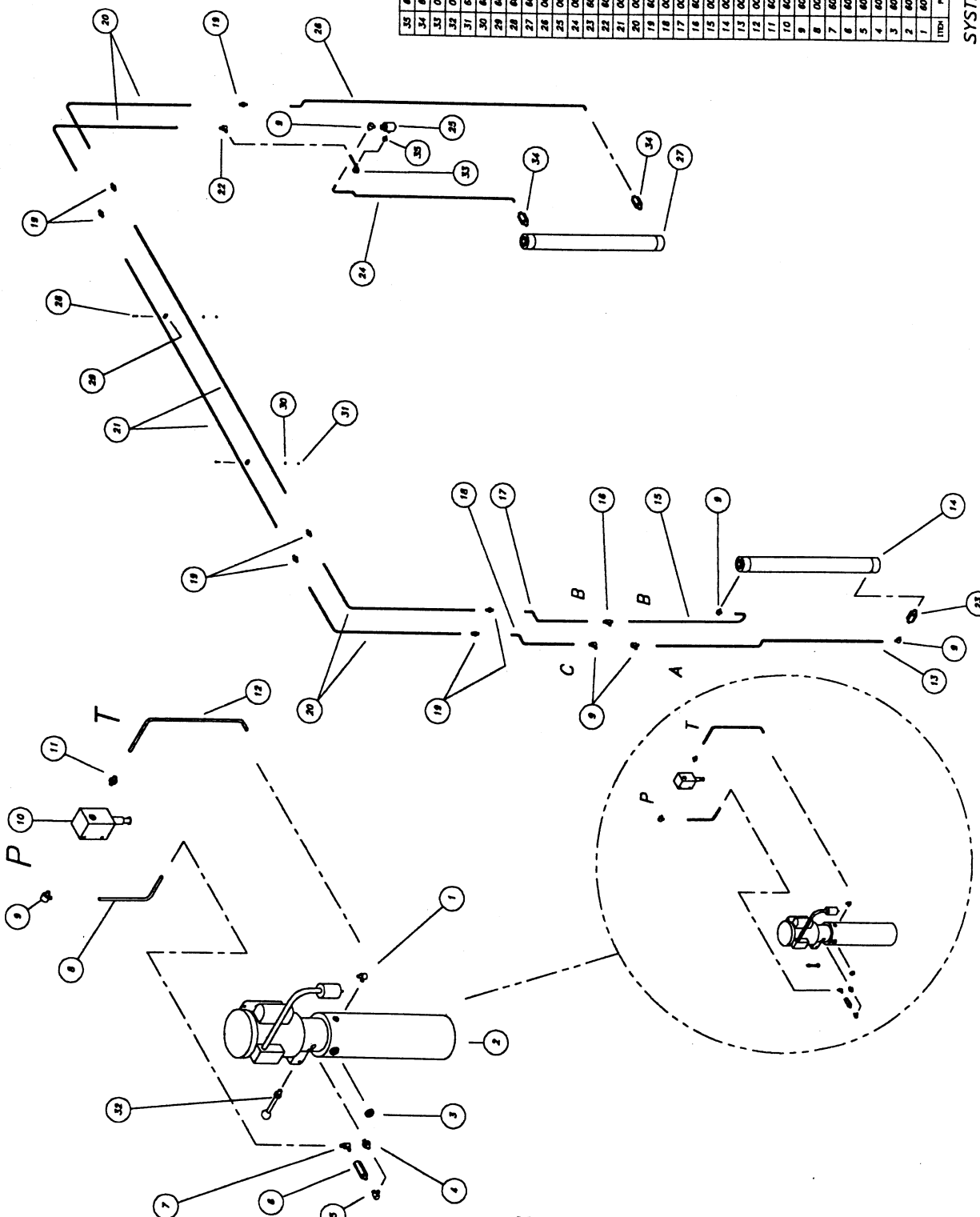


| ITEM | PART NUMBER | DESCRIPTION | QTY |
|------|-------------|--|-----|
| 9 | 601-600-001 | OFFSIDE CYLINDER | 1 |
| 8 | 009-010-040 | YOKE ASSEMBLY | 1 |
| 7 | MAN207 | LEG WELDMENT/LINE SUPPORT/CARRIAGE STOPS | 1 |
| 6 | 600-640-019 | BOLT, 1/4"-20 NC x 1 1/2" LG. HEX HEAD CAP | 4 |
| 5 | 601-710-001 | DOUBLE LINE CLIP | 4 |
| 4 | 600-710-004 | WASHER, FLAT, 1/4" | 4 |
| 3 | 600-690-005 | NUT, LOCK, 1/4"-20 NC | 4 |
| 2 | 009-010-070 | CARRIAGE ASSEMBLY | 1 |
| 1 | MAN228 | CARRIAGE/SWING ARMS/SLIDERS/LIFTING PADS | 1 |
| | | | ETD |

SYSTEM 1A OFFSIDE ASSEMBLY

FILE: MAN220-B
DATE: 4/96

MAN201



| ITEM | PART NUMBER | DESCRIPTION | QTY |
|------|-------------|--|-----|
| 35 | 601-420-025 | STRAIGHT, #40RB TO #8 JIC | 1 |
| 34 | 601-410-028 | VALVE, VELOCITY FUSE, 4 GPM | 2 |
| 33 | 009-010-058 | TUBING ASSEMBLY, 13 3/4" | 1 |
| 32 | 007-007-045 | POWER UNIT HANDLE ASSEMBLY | 1 |
| 31 | 600-600-005 | MUT. LOCK, 1/4-20 NC | 2 |
| 30 | 600-710-004 | WASHER, FLAT, 1/4 | 2 |
| 29 | 601-710-001 | DOUBLE LINE CLIP | 2 |
| 28 | 600-640-018 | BOLT, 1/4-20 NC x 1 1/2 | 2 |
| 27 | 601-480-001 | OFFSIDE CYLINDER | 1 |
| 26 | 009-010-009 | TUBING ASSEMBLY, 102 1/2" | 1 |
| 25 | 009-010-008 | VALVE ASSEMBLY, BLEEDER | 1 |
| 24 | 009-010-033 | TUBING ASSEMBLY, 68 3/4" | 1 |
| 23 | 601-410-031 | VALVE, VELOCITY FUSE, 4 GPM | 1 |
| 22 | 601-420-052 | ELBOW, 90°, #8 JIC TO #8 JIC | 1 |
| 21 | 009-001-028 | TUBING ASSEMBLY, 100" | 2 |
| 20 | 009-010-018 | TUBING ASSEMBLY, 58 1/4" | 4 |
| 19 | 601-420-011 | STRAIGHT, #8 JIC TO #8 JIC | 1 |
| 18 | 009-010-028 | TUBING ASSEMBLY, 23 1/4" | 7 |
| 17 | 009-010-028 | TUBING ASSEMBLY, 23 1/4" | 1 |
| 16 | 601-420-048 | TEE, BRANCH, #8 ORB TO #8 JIC TO #8 JIC | 1 |
| 15 | 009-010-027 | TUBING ASSEMBLY, 43" | 1 |
| 14 | 007-007-001 | MANROD CYLINDER | 1 |
| 13 | 009-010-028 | TUBING ASSEMBLY, 28" | 1 |
| 12 | 009-010-031 | TUBING ASSEMBLY, 25" | 1 |
| 11 | 601-420-019 | STRAIGHT, #8 O-RING BOSS TO #8 JIC | 1 |
| 10 | 601-410-030 | DIVERTER VALVE | 1 |
| 9 | 601-420-017 | ELBOW, 90°, #8 ORB TO #8 JIC | 3 |
| 8 | 009-010-030 | TUBING ASSEMBLY, 14 1/2" | 1 |
| 7 | 601-420-007 | ELBOW, 90°, 3/8 MALE PPE TO #8 JIC | 1 |
| 6 | 601-410-003 | FLOW CONTROL VALVE, 2.75 GPM | 1 |
| 5 | 601-420-043 | ELBOW, 90°, 3/8 FEMALE PPE TO 3/8 FEMALE PPE | 1 |
| 4 | 601-420-022 | STRAIGHT, 3/8 MALE PPE TO 3/8 FEMALE PPE | 1 |
| 3 | 601-310-005 | BREATHER CAP | 1 |
| 2 | 601-300-023 | POWER UNIT | 1 |
| 1 | 601-420-014 | ELBOW, 90°, 1/4 MALE PPE TO #8 JIC | 1 |

SYSTEM 1A HYDRAULIC SYSTEM
 FILE: MAN201
 DATE: 4/96

MAN222

CHAIN ATTACHMENT TO CHAIN BLOCK ON LEG ASSEMBLY

Yoke Assy, REF

Cylinder, REF

1, 14, 15, 16, 17, 18, 19, 20, 21, 22

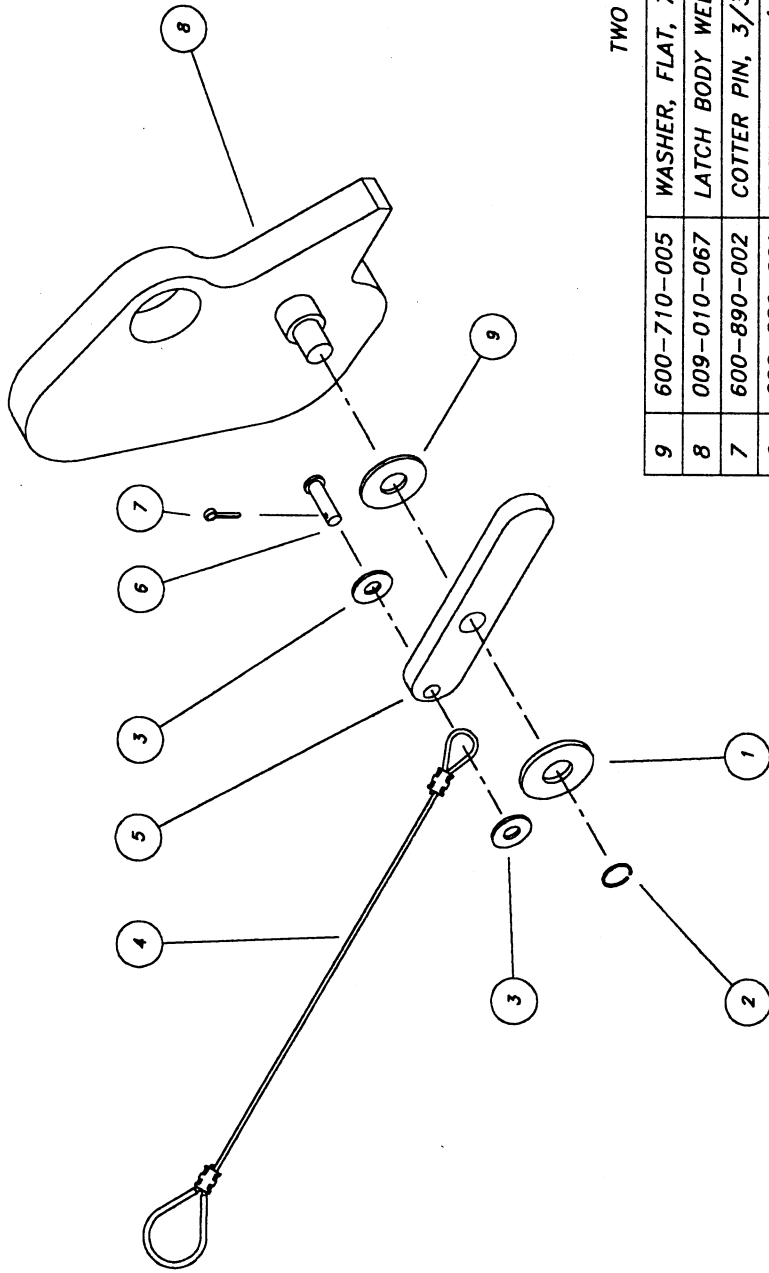
2, 3, 4, 5, 6, 7, 8, 9, 10, 11, 12, 13, 14, 15, 16, 17, 18, 19, 20, 21, 22, 23, 24, 25, 26, 27, 28, 29

| ITEM | PART NUMBER | DESCRIPTION | QTY |
|------|-------------|--|-----|
| 29 | 009-010-127 | J-BAR | 1 |
| 28 | 600-690-050 | BOLT, 5/16-18 NC x 2 1/2", HEX HEAD CAP | 2 |
| 27 | 009-010-125 | PLUNGER HOUSING CAP | 1 |
| 26 | 009-010-124 | PLUNGER | 1 |
| 25 | 600-690-018 | SPRING | 1 |
| 24 | 009-010-126 | PLUNGER HOUSING | 1 |
| 23 | 600-690-001 | SET SCREW, 3/8-18 NC x 1/2" | 2 |
| 22 | 600-710-010 | WASHER, FLAT, 1" | 2 |
| 21 | 600-690-006 | SPRING, 1.543 OD x 1.103 ID x 7 3/32" LG | 2 |
| 20 | 600-710-006 | WASHER, FLAT, 1" DIA x 12 3/8" LG | 2 |
| 19 | 600-690-006 | WASHER, FLAT, FEMSER, 5/16 | 2 |
| 18 | 600-690-003 | NUT, FLAN, 5/16-18 NC | 2 |
| 17 | 007-007-141 | HARBLE, 5/16 DIA x 8" | 2 |
| 16 | 600-690-006 | WASHER, FLAT, 1" | 2 |
| 15 | 600-690-006 | WASHER, FLAT, 1" | 2 |
| 14 | 600-690-001 | MASTER CHAIN LINK ASSEMBLY | 2 |
| 13 | 600-690-001 | COTTER PIN, 3/32 DIA x 1 1/2" LG | 1 |
| 12 | 009-001-068 | LATCH BODY ASSEMBLY | 1 |
| 11 | 600-690-001 | CHAIN, .3 PITCHES, M-448 | 1 |
| 10 | 600-690-001 | NUT, LOCK, 5/16-18 NC | 2 |
| 9 | 600-690-006 | NUT, LOCK, 7/16-14 NC | 4 |
| 8 | 600-690-002 | CAM YOKE ROLLER, 1 1/2 DIA | 4 |
| 7 | 600-690-002 | WASHER, FLAT, 7/16 | 4 |
| 6 | 600-690-001 | SWAP RING, #5100-137 | 4 |
| 5 | 600-690-002 | CARRIAGE ROLLER ASSEMBLY | 5 |
| 4 | 600-690-006 | BOLT, 7/16-14 NC x 2 1/2", HEX HEAD CAP | 4 |
| 3 | 009-001-418 | CARRIAGE WELDMENT | 1 |
| 2 | 600-690-001 | TRM-LOCK, 60° LG | 1 |
| 1 | 600-690-001 | CHAIN, M-448, 77 PITCHES | 1 |

SYSTEM 1A CARRIAGE, CHAIN, & ARM LOCK
 (009-010-070)
 FILE: MAN222
 DATE: 4/96

39

MAN223



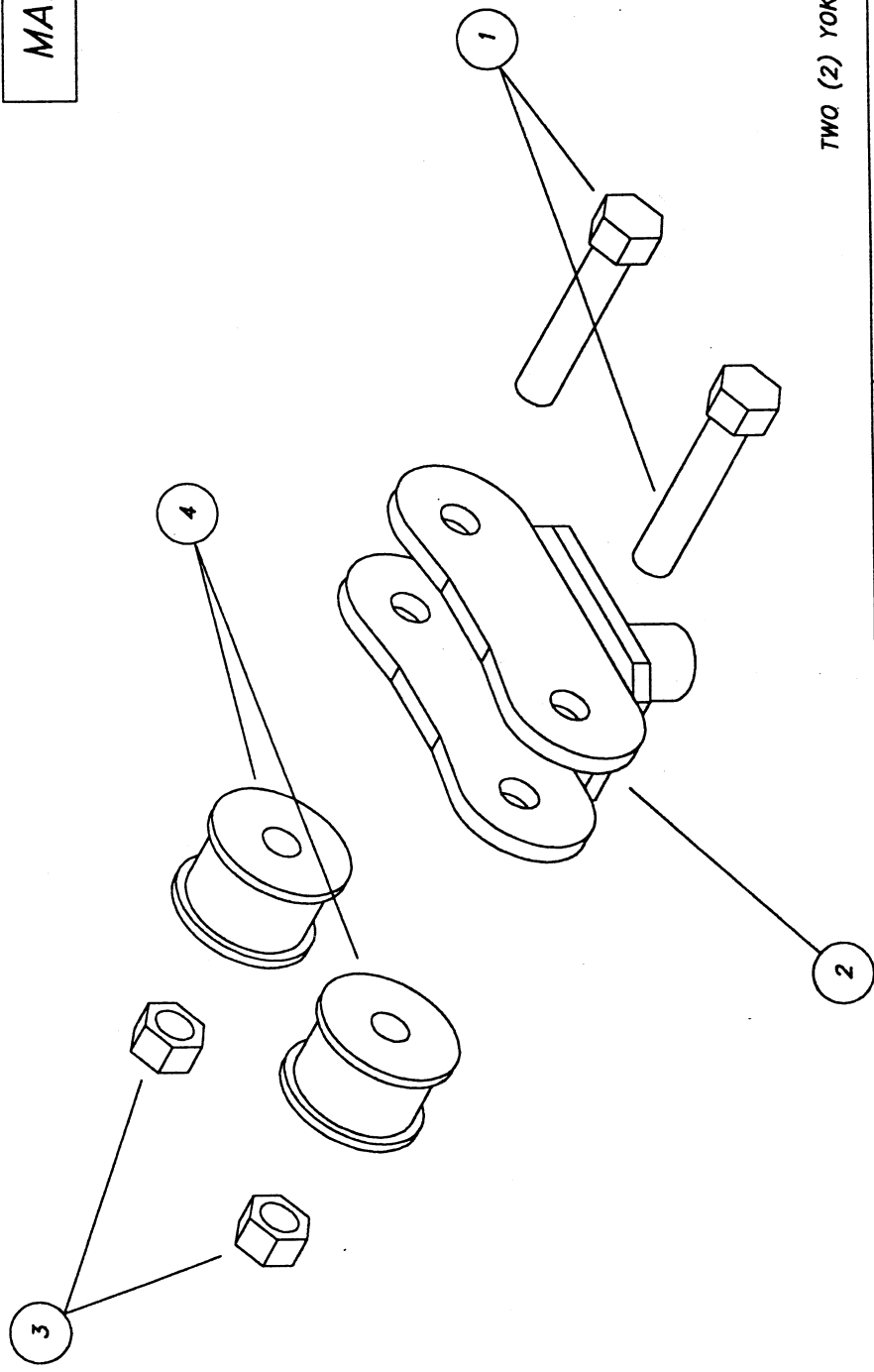
TWO (2) LATCH BODY ASSEMBLIES PER LIFT

| ITEM | PART NUMBER | DESCRIPTION | QTY |
|------|-------------|-------------------------------|-----|
| 9 | 600-710-005 | WASHER, FLAT, 7/16 | 1 |
| 8 | 009-010-067 | LATCH BODY WELDMENT | 1 |
| 7 | 600-890-002 | COTTER PIN, 3/32 x 1/2 | 1 |
| 6 | 600-880-001 | CLEVIS PIN, 7/8 LG | 1 |
| 5 | 007-007-147 | FLIPPER | 1 |
| 4 | 009-001-066 | SAFETY RELEASE CABLE ASSEMBLY | 1 |
| 3 | 600-710-004 | WASHER, FLAT, 1/4 | 2 |
| 2 | 600-870-003 | SNAP RING, 1/2 | 1 |
| 1 | 600-710-008 | WASHER, FLAT, 1/2 | 1 |

SYSTEM 1A LATCH BODY ASSEMBLY
(009-010-068)

FILE: MAN223
DATE 4/96

MAN204

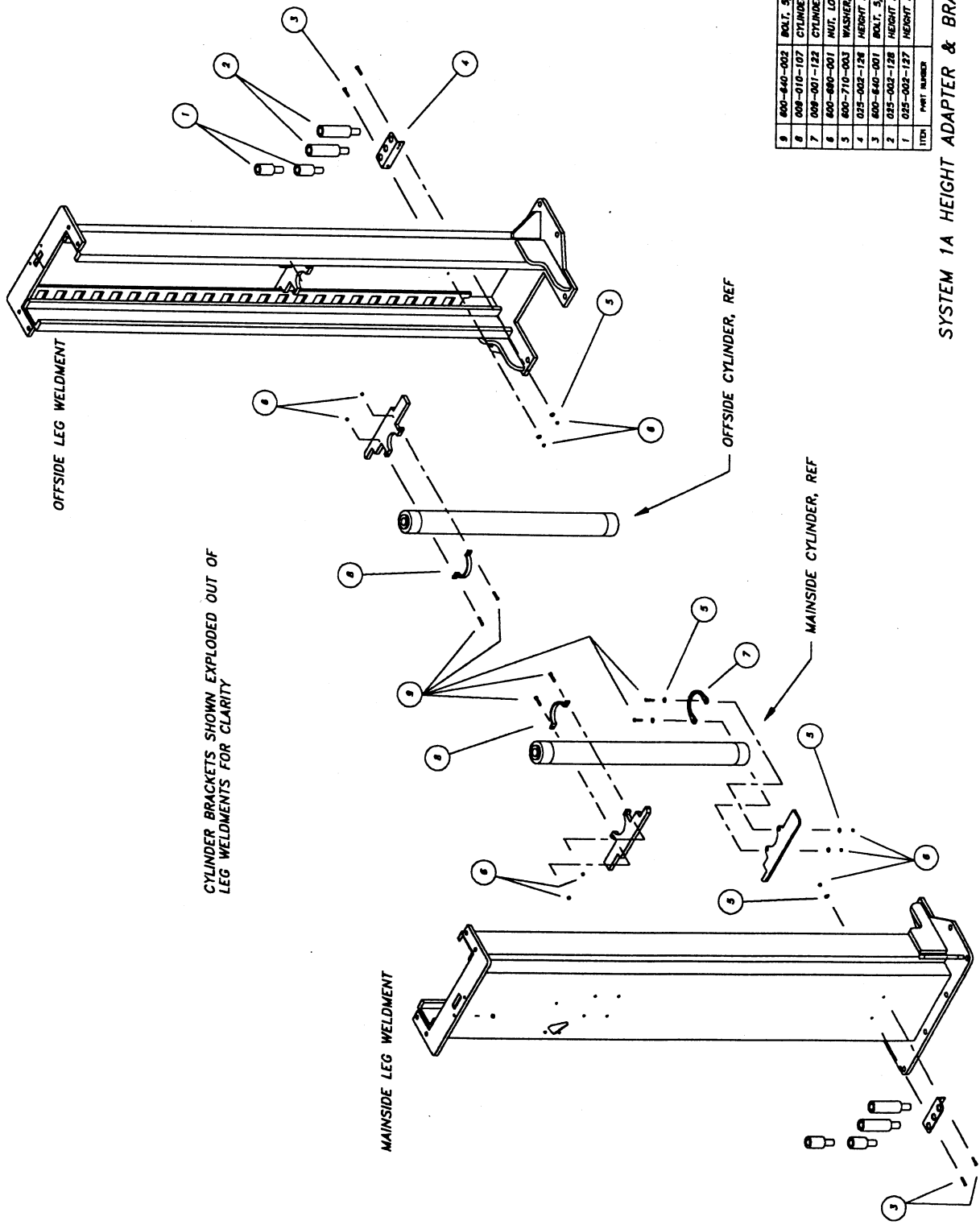


TWO (2) YOKE ASSEMBLIES PER LIFT

| ITEM | PART NUMBER | DESCRIPTION | QTY |
|------|-------------|------------------------------------|-----|
| 4 | 600-860-005 | BEARING, CAM YOKE ROLLER | 2 |
| 3 | 600-690-003 | NUT, LOCK, 3/4-16 NF | 2 |
| 2 | 009-001-061 | YOKE WELDMENT | 1 |
| 1 | 006-000-139 | BOLT, 3/4-16 NF x 3 3/4 (MACHINED) | 2 |

SYSTEM 1A YOKE ASSEMBLY
 (009-010-040)
 FILE: MAN204
 DATE: 4/96

MAN205



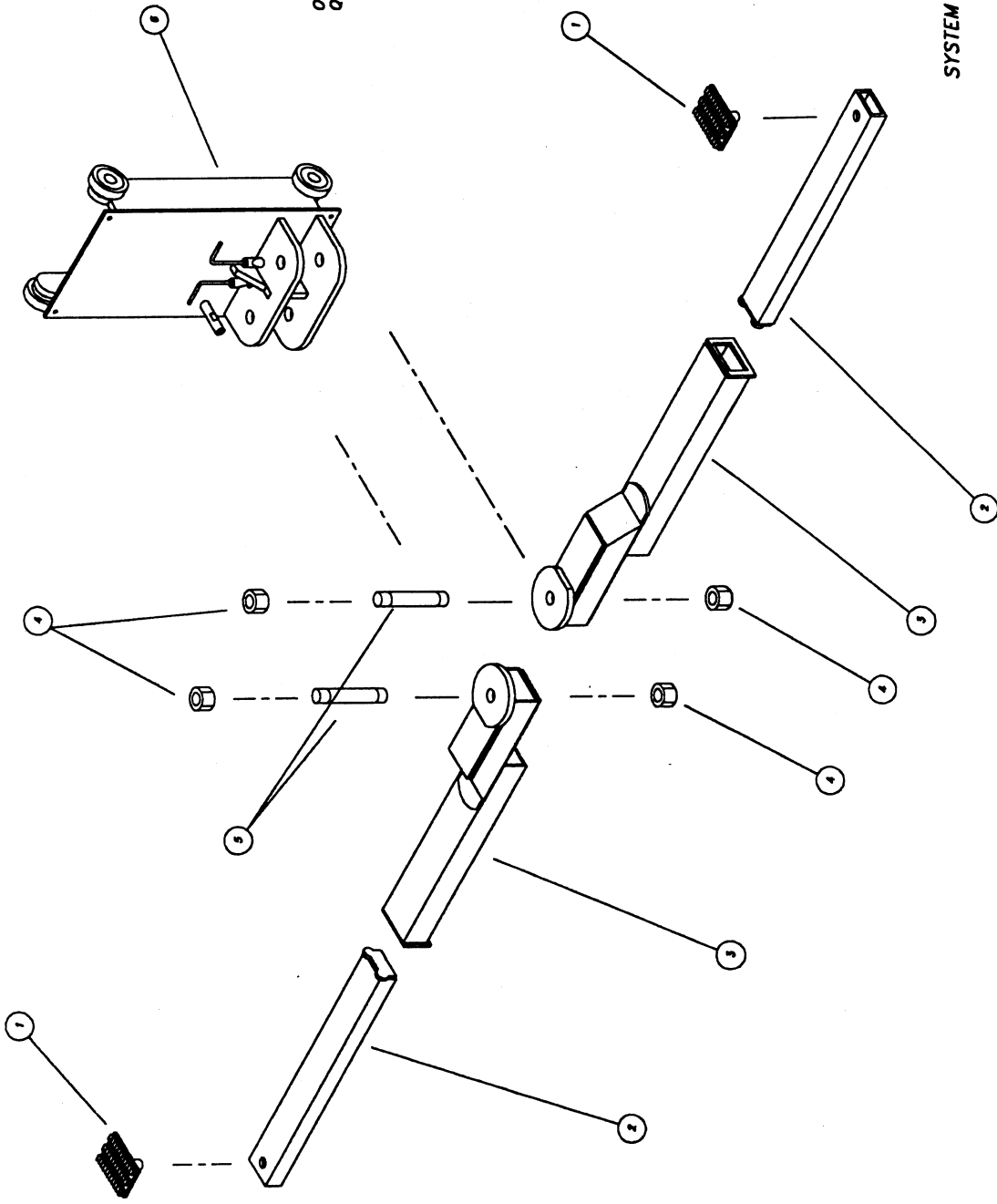
| ITEM | PART NUMBER | DESCRIPTION | QTY. |
|------|-------------|--------------------------|------|
| 9 | 600-440-002 | BOLT, 5/16-18 NC x 1 1/2 | 8 |
| 8 | 009-010-107 | CYLINDER BRACKET | 2 |
| 7 | 009-001-122 | CYLINDER CLAMP | 1 |
| 6 | 600-600-001 | NUT, LOCK, 5/16-18 NC | 10 |
| 5 | 600-710-001 | WASHER, FLAT, 5/16 | 8 |
| 4 | 025-002-126 | HEIGHT ADAPTER BRACKET | 2 |
| 3 | 600-440-001 | BOLT, 5/16-18 NC x 1" | 4 |
| 2 | 025-002-128 | HEIGHT ADAPTER, 6" | 4 |
| 1 | 025-002-127 | HEIGHT ADAPTER, 3" | 4 |

SYSTEM 1A HEIGHT ADAPTER & BRACKET/ CYLINDER CLAMPS

FILE: MAN205
DATE: 4/96

MAN226

OFFSIDE CARRIAGE SHOWN
QUANTITIES ARE THE SAME FOR THE MAINSIDE

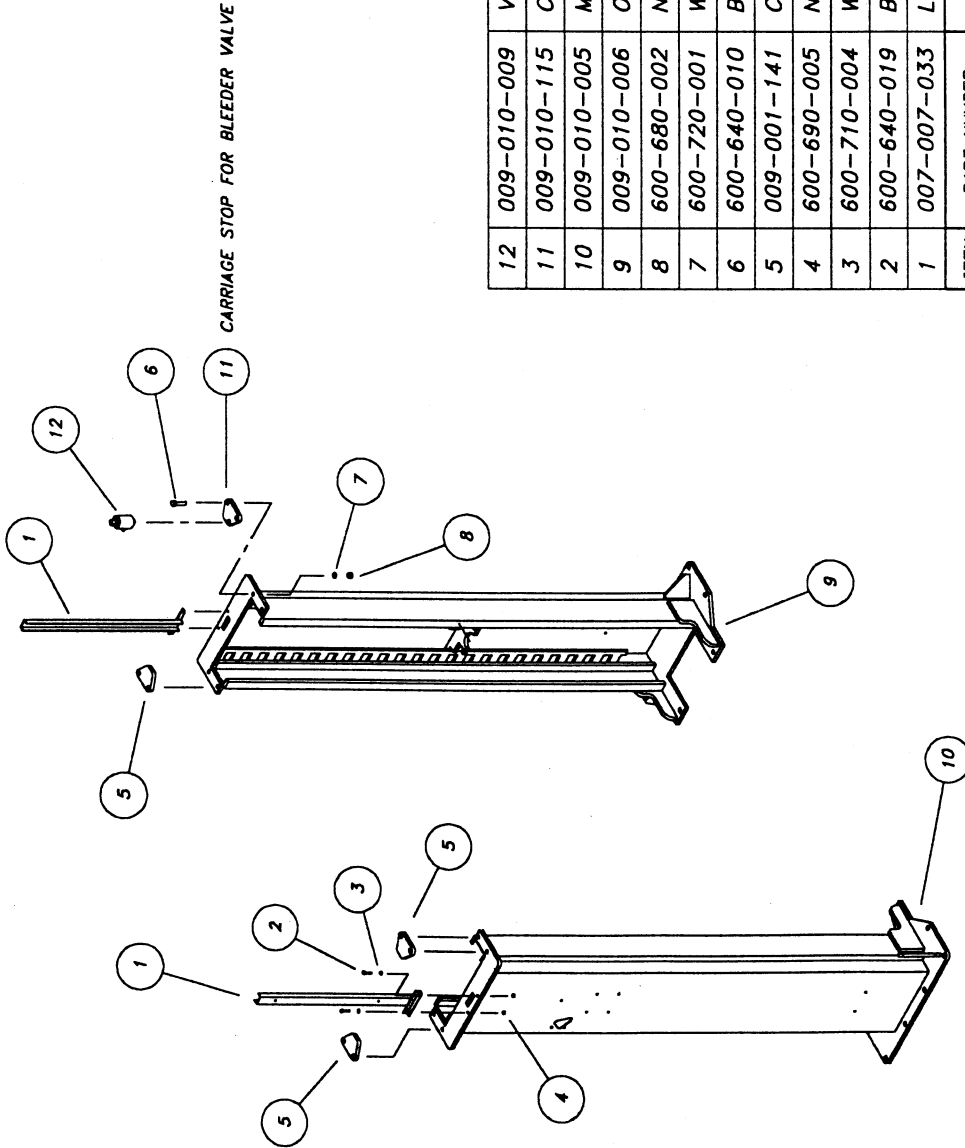


| ITEM | PART NUMBER | DESCRIPTION | QTY |
|------|-------------|-------------------------------|-----|
| 1 | 009-010-070 | CARRIAGE ASSEMBLY | 1 |
| 2 | 009-010-114 | CARRIAGE PIN, 1 3/8 DIA | 2 |
| 3 | 009-010-009 | NUT, LOCK, NYLON, 1 3/8-12 NF | 4 |
| 4 | 009-010-012 | SWING ARM WELDMENT | 2 |
| 5 | 009-011-019 | SLIDER WELDMENT | 2 |
| 6 | 009-002-005 | LIFTING PAD | 2 |

SYSTEM 1A CARRIAGE/SWING ARMS/SLIDERS/LIFTING PADS

FILE: MAN226
DATE: 4/96

MAN207



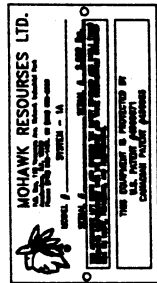
| ITEM | PART NUMBER | DESCRIPTION | QTY |
|------|-------------|--------------------------------|-----|
| 12 | 009-010-009 | VALVE ASSEMBLY (BLEEDER VALVE) | 1 |
| 11 | 009-010-115 | CARRIAGE STOP | 1 |
| 10 | 009-010-005 | MAINSIDE LEG WELDMENT | 1 |
| 9 | 009-010-006 | OFFSIDE LEG WELDMENT | 1 |
| 8 | 600-680-002 | NUT, PLAIN, 5/8-11 NC | 8 |
| 7 | 600-720-001 | WASHER, LOCK, 5/8 | 8 |
| 6 | 600-640-010 | BOLT, 5/8-11 NC x 2 1/2 | 8 |
| 5 | 009-001-141 | CARRIAGE STOP | 3 |
| 4 | 600-690-005 | NUT, LOCK, 1/4-20 NC | 4 |
| 3 | 600-710-004 | WASHER, FLAT, 1/4 | 4 |
| 2 | 600-640-019 | BOLT, 1/4-20 NC x 1 1/2 | 4 |
| 1 | 007-007-033 | LINE SUPPORT | 2 |

LEG WELDMENT/LINE SUPPORTS/CARRIAGE STOPS
SYSTEM 1A

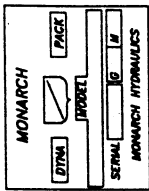
FILE: MAN207
DATE: 4/96

MAN228

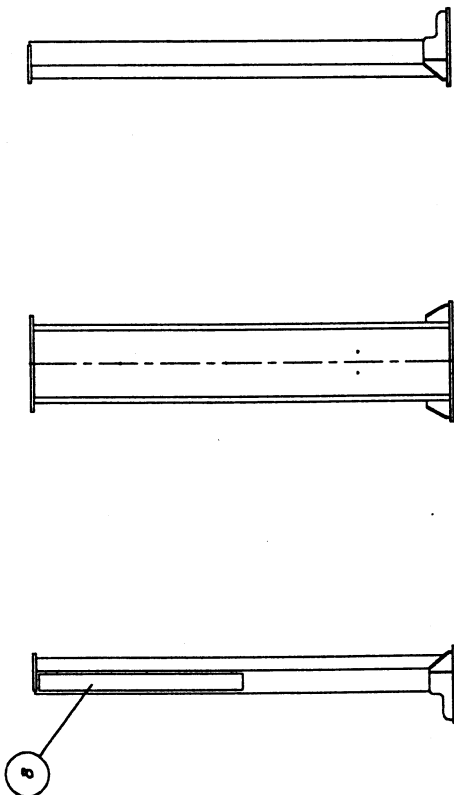
NOTES:
1. PLACE ITEM 5 IN POSITION SHOWN & MATCH DRILL (2) 3/32 DIA HOLES THRU BACK PLATE.



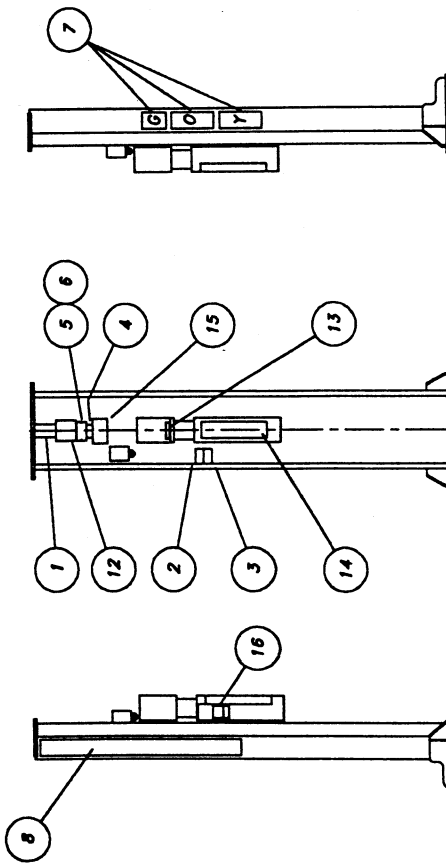
(MOHAWK SERIAL TAG) 5



(MONARCH POWER UNIT DECAL) 16

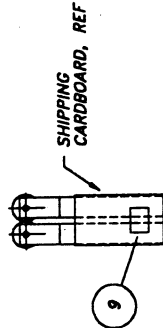


OFFSIDE VIEWS



MAINSIDE VIEWS

SWING ARMS, REF

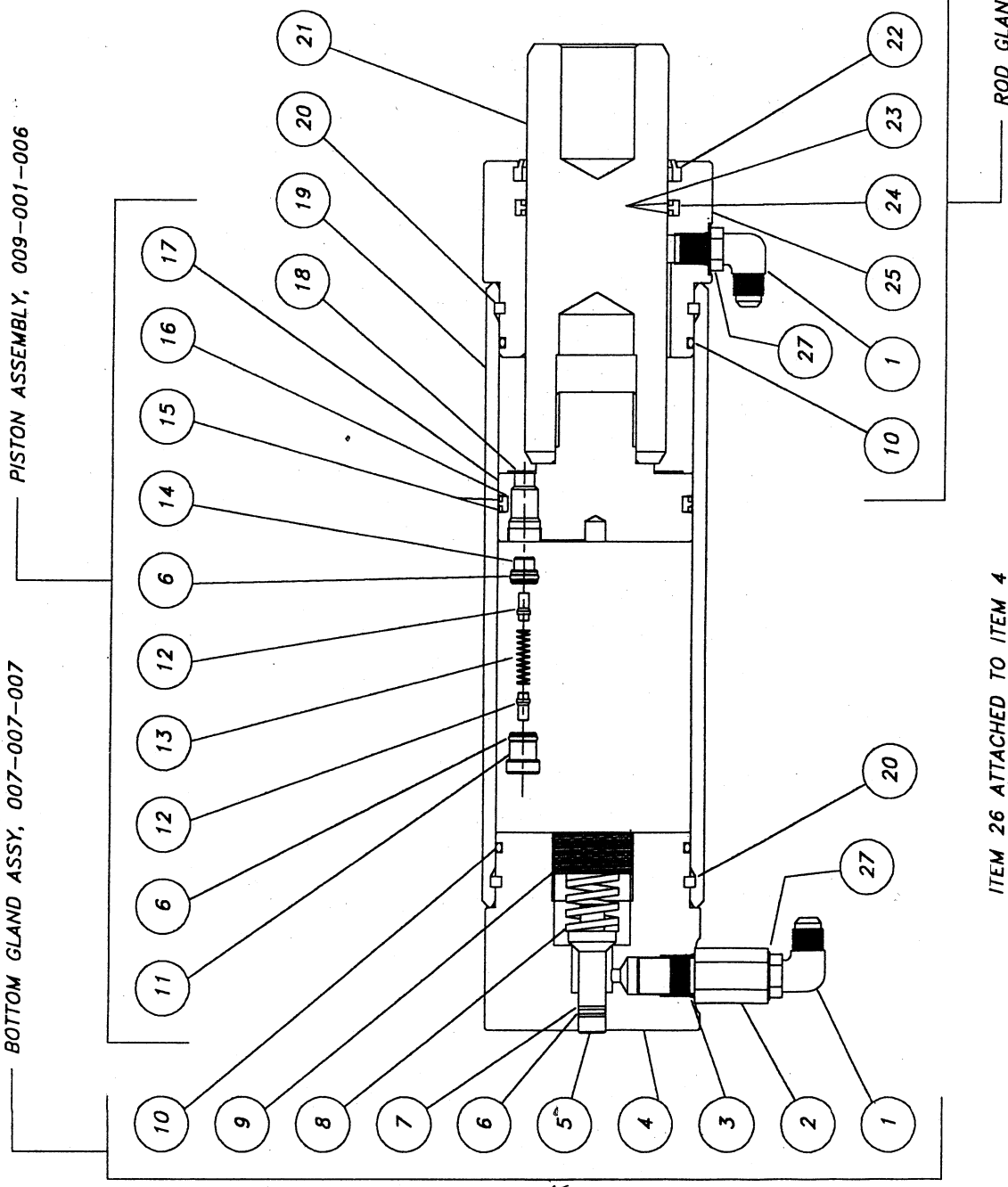


| ITEM | PART NUMBER | DESCRIPTION | REF |
|------|-------------|--|-----|
| 18 | | DECAL MONARCH POWER UNIT | 1 |
| 19 | 801-800-056 | DECAL, ALL/ETL CERTIFIED | 1 |
| 14 | 801-800-081 | OPERATIONAL INSTRUCTION DECAL | 1 |
| 13 | 801-800-037 | "2 HP - SINGLE PHASE" DECAL, 1" x 5" | 1 |
| 12 | 801-800-042 | "MAXIMUM CAPACITY 9000 LBS" DECAL, 5" x 5" | 1 |
| 11 | 009-010-001 | MAINSIDE LEG ASSEMBLY | REF |
| 10 | 009-010-002 | OFFSIDE LEG ASSEMBLY | REF |
| 9 | 801-800-070 | WARRANTY REGISTRATION CARD PACKAGE | 1 |
| 8 | 801-800-081 | "MONARCH" DECAL, 6 3/8" x 4 1/4" | 2 |
| 7 | 801-800-032 | CAUTION, WARNING, SAFETY DECAL, 4" x 20 3/4" | 1 |
| 6 | 800-870-001 | SCREW, DRIVE, #4 x 1/4" | 2 |
| 5 | 801-800-020 | SERIAL SPEC. PLATE, 2 7/16" x 4 9/16" | 1 |
| 4 | 801-800-037 | "ALY" PLATE, 1 1/2" x 3 1/4" | 1 |
| 3 | 801-800-035 | "CAUTION" DECAL, 2" x 3 1/2" | 1 |
| 2 | 801-800-034 | "WARNING" DECAL, 2" x 3 1/2" | 1 |
| 1 | 801-800-030 | "MADE IN AMERICA", 5 1/8" x 5 3/16" | 1 |

TAG & DECAL LOCATIONS
SYSTEM 1A

FILE: MAN228
DATE: 4/96

MAN209



| ITEM | PART NUMBER | DESCRIPTION | QTY |
|------|-------------|--------------------|-----|
| 1 | 601-420-017 | FITTING, 90° ELBOW | 2 |
| 2 | 601-410-031 | VELOCITY FUSE -4 | 1 |
| 3 | 601-030-008 | O-RING | REF |
| 4 | 007-007-110 | BOTTOM GLAND | 1 |
| 5 | 009-010-113 | INLET SPOOL | 1 |
| 6 | 601-030-002 | O-RING | 3 |
| 7 | 601-060-003 | BACK-UP RING | 2 |
| 8 | 600-840-002 | SPRING | 1 |
| 9 | 007-007-145 | SET SCREW | 1 |
| 10 | 601-030-003 | O-RING | 2 |
| 11 | 009-001-153 | RETAINER | 1 |
| 12 | 009-001-152 | SPOOL | 2 |
| 13 | 600-840-008 | SPRING | 1 |
| 14 | 009-001-151 | INSERT | 1 |
| 15 | 601-060-013 | BACK-UP RING | 2 |
| 16 | 601-010-005 | PISTON T-SEAL | 1 |
| 17 | 009-001-108 | PISTON | 1 |
| 18 | 007-007-143 | WASHER | 1 |
| 19 | 009-001-104 | BARREL | 1 |
| 20 | 025-002-132 | SPIN KEY | 2 |
| 21 | 009-001-105 | ROD | 1 |
| 22 | 601-020-003 | WIPER | 1 |
| 23 | 601-060-007 | BACK-UP RING | 2 |
| 24 | 601-000-003 | ROD T-SEAL | 1 |
| 25 | 009-001-107 | ROD GLAND | 1 |
| 26 | 601-800-022 | DECAL, PATENT | 1 |
| 27 | 601-030-017 | O-RING | REF |

SYSTEM IA
 MAINSIDE CYLINDER ASSEMBLY
 (007-007-001)

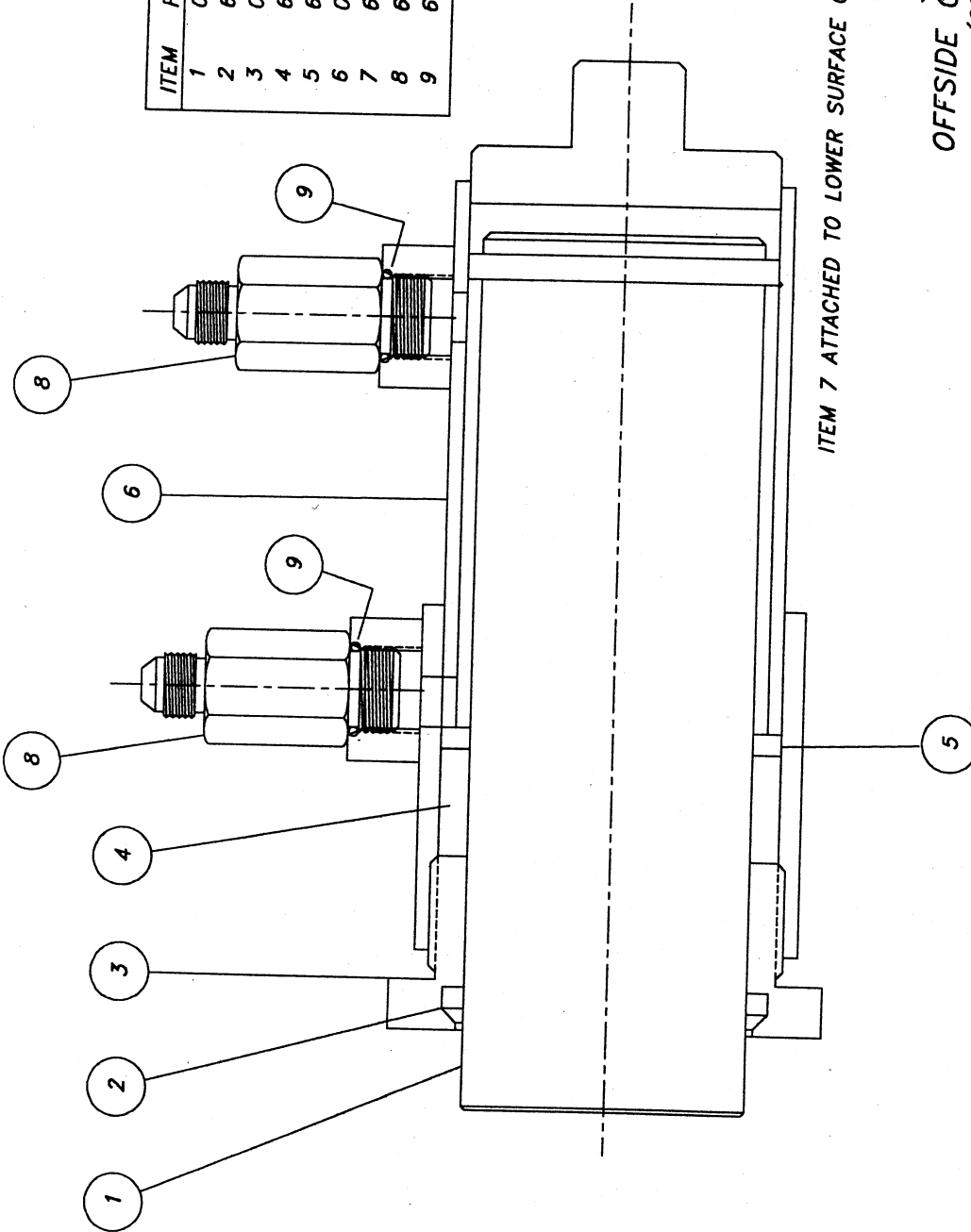
ROD GLAND HOUSING ASSEMBLY, 009-001-002

ITEM 26 ATTACHED TO ITEM 4

FILE: MAN209
 DATE: 4/96

MAN210

| ITEM | PART NUMBER | DESCRIPTION | QTY |
|------|-------------|----------------|-----|
| 1 | 05469-44.50 | ROD ASSY | REF |
| 2 | 601-490-010 | ROD WIPER | REF |
| 3 | 05132 | NUT | REF |
| 4 | 601-490-011 | PACKING SET | REF |
| 5 | 601-490-012 | RING | REF |
| 6 | 05464-44.50 | TUBE ASSY | REF |
| 7 | 601-800-021 | DECAL, CAUTION | 1 |
| 8 | 601-410-026 | VELOCITY FUSE | 2 |
| 9 | 601-030-018 | O-RING | REF |

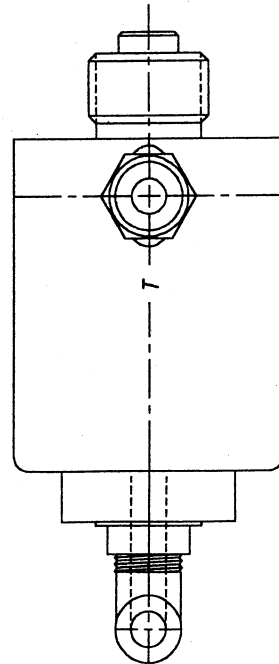
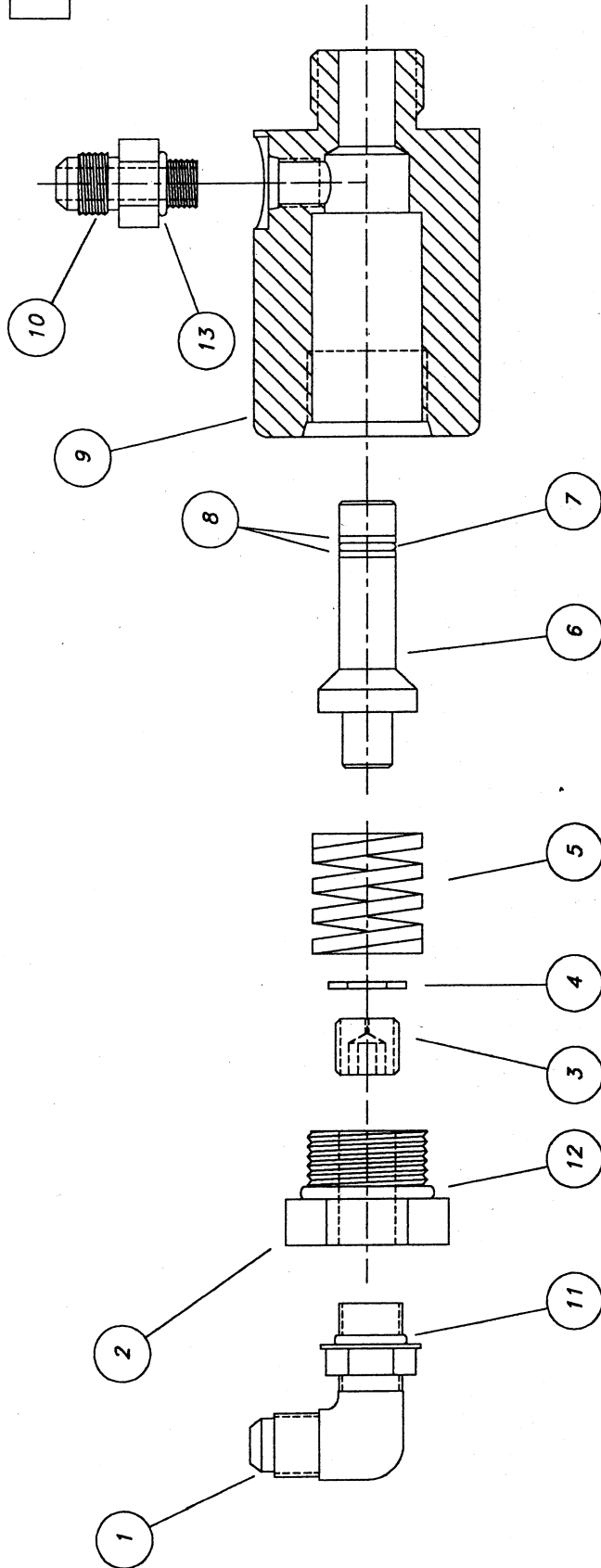


ITEM 7 ATTACHED TO LOWER SURFACE OF CYLINDER BARREL

SYSTEM IA
OFFSIDE CYLINDER ASSEMBLY
(601-490-001)

FILE: MAN210
DATE: 4/96

MAN213

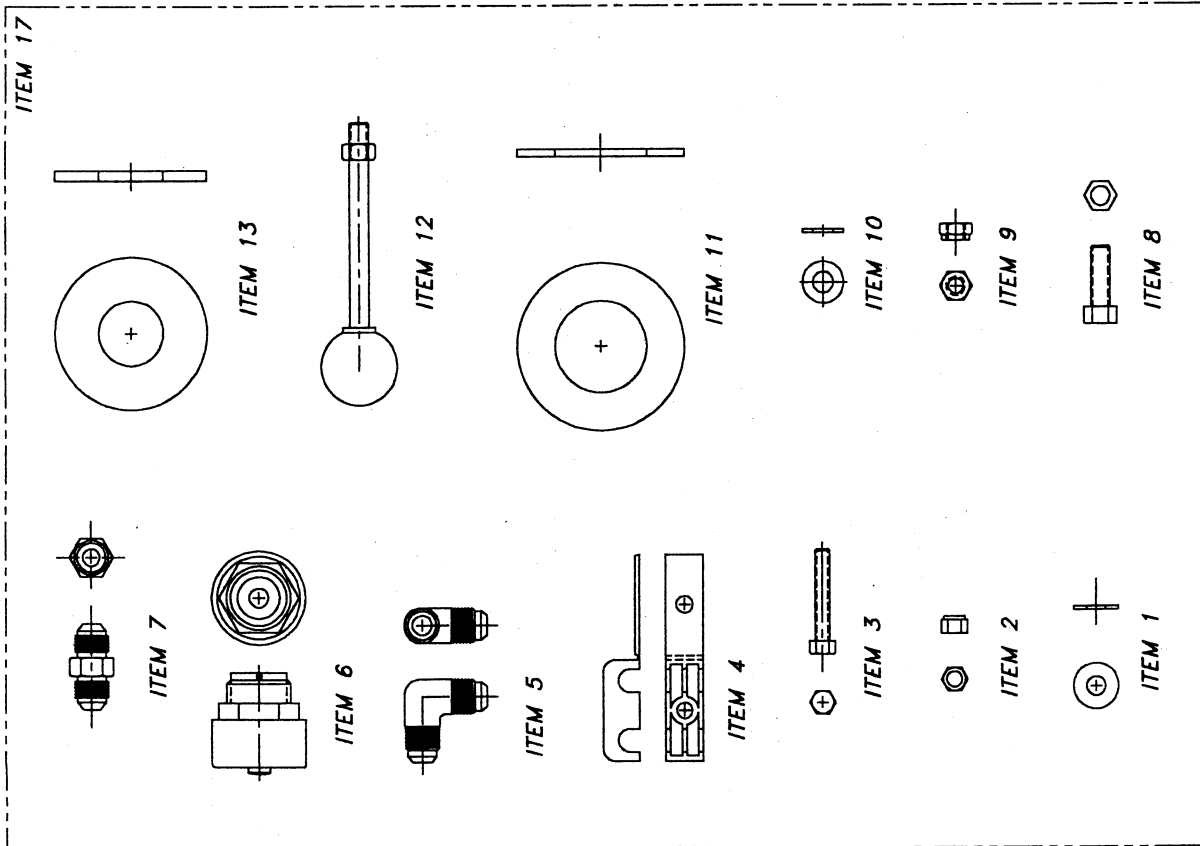


| ITEM | PART NUMBER | DESCRIPTION | QTY |
|------|-------------|----------------------------------|-----|
| 13 | 601-030-028 | O-RING, .495 OD x .351 | REF |
| 12 | 601-030-027 | O-RING, 1.156 OD x .924 | REF |
| 11 | 601-030-017 | O-RING, .624 OD x .468 ID | REF |
| 10 | 601-420-025 | STRAIGHT, #4 ORB TO #6 JIC | 1 |
| 9 | 009-010-101 | BODY, VALVE, 2" DIA x 3 1/2 LG | 1 |
| 8 | 601-060-003 | BACK-UP RING, .496 OD x .390 ID | 2 |
| 7 | 601-030-002 | O-RING, 1/2 OD x 3/8 ID | 1 |
| 6 | 009-010-113 | SPOOL, INLET, 7/8 DIA x 2 1/2 LG | 1 |
| 5 | 600-840-002 | SPRING, .969 OD x .531 ID | 1 |
| 4 | 600-710-003 | WASHER, FLAT, 5/16 | A/R |
| 3 | 009-010-112 | SCREW, SET, 9/16-18 NF x 1/2 LG | 1 |
| 2 | 009-010-111 | REDUCER, #12 TO #6 ORB | 1 |
| 1 | 601-420-017 | ELBOW, 90°, #6 ORB TO #6 JIC | 1 |

BLEEDER VALVE ASSEMBLY

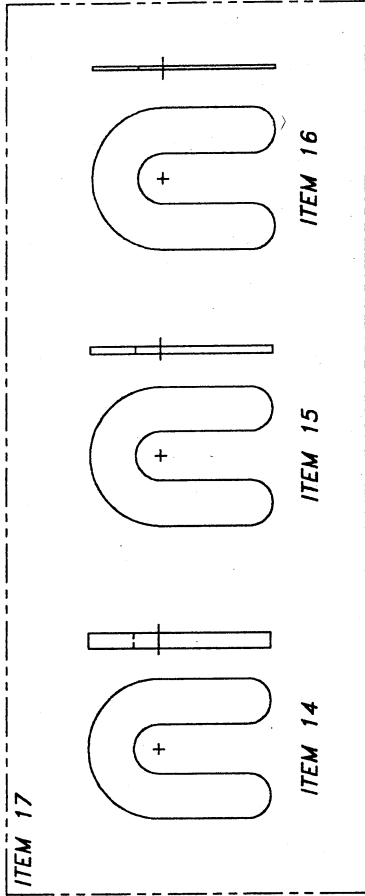
FILE: MAN213
DATE 6/96

BAG #1 (009-010-071)



MAN231

BAG #2 (007-007-075)

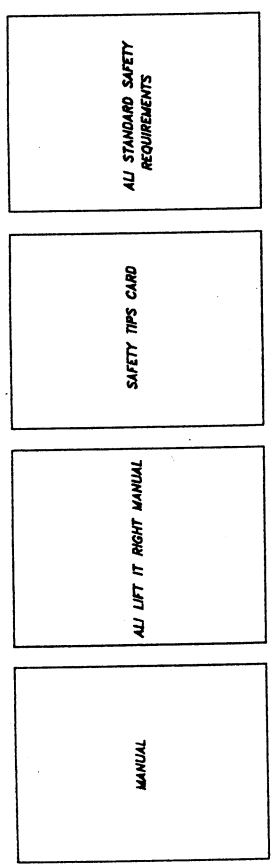
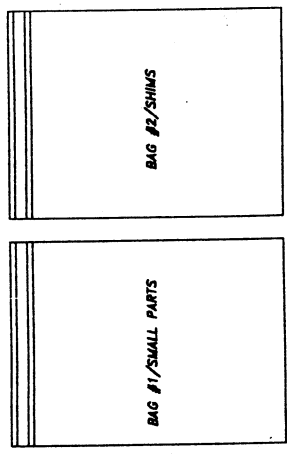


ITEMS 1 THRU 13 = BAG #1/SMALL PARTS
 ITEMS 14 THRU 16 = BAG #2/SHIMS

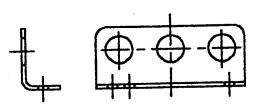
| ITEM | PART NUMBER | DESCRIPTION | QTY. |
|------|-------------|--|------|
| 17 | 601-600-022 | BAG, ZIP-LOCK, TRANSPARENT, 9" x 12" | 3 |
| 16 | 600-740-001 | SHIM, HORSESHOE, PLASTIC, BL/UE, 1/16" THK | 8 |
| 15 | 600-740-002 | SHIM, HORSESHOE, PLASTIC, RED, 1/8" THK | 8 |
| 14 | 600-740-003 | SHIM, HORSESHOE, PLASTIC, BLACK, 1/4" THK | 8 |
| 13 | 600-710-010 | WASHER, FLAT, 1" (ARM RESTRAINT) | 4 |
| 12 | 007-007-045 | POWER UNIT HANDLE ASSEMBLY (4" LG) | 1 |
| 11 | 600-710-014 | WASHER, FLAT, 1 3/8 SAE | 8 |
| 10 | 600-710-003 | WASHER, FLAT, 5/16 | 4 |
| 9 | 600-800-001 | NUT, LOCK, 5/16-18 NC | 4 |
| 8 | 600-640-001 | BOLT, 5/16-18 NC x 1", HEX HEAD CAP | 4 |
| 7 | 601-430-011 | UNION, #8 NC TO #8 NC | 4 |
| 6 | 601-310-003 | BREATHER CAP | 1 |
| 5 | 601-430-032 | ELBOW, 90°, #8 NC TO #8 NC | 1 |
| 4 | 601-710-001 | DOUBLE LINE CLIP | 6 |
| 3 | 600-840-018 | BOLT, 1/4-20 NC x 1 1/2, HEX HEAD CAP | 10 |
| 2 | 600-800-005 | NUT, LOCK, 1/4-20 NC | 10 |
| 1 | 600-710-004 | WASHER, FLAT, 1/4 | 10 |

BAG #1/SMALL PARTS & BAG #2/SHIMS
 FILE: MAN231
 DATE: 4/96

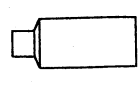
MAN232



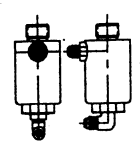
ITEM 3
ITEM 17
ITEM 18
ITEM 20
ITEM 12
ITEM 19



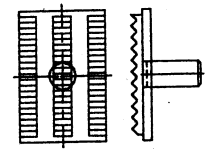
ITEM 4



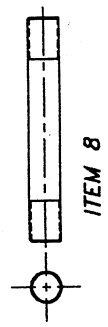
ITEM 5



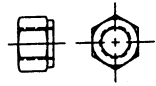
ITEM 2



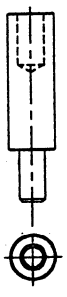
ITEM 9



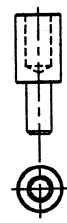
ITEM 8



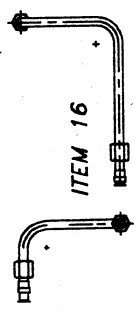
ITEM 7



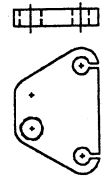
ITEM 11



ITEM 10



ITEM 16



ITEM 15



ITEM 14



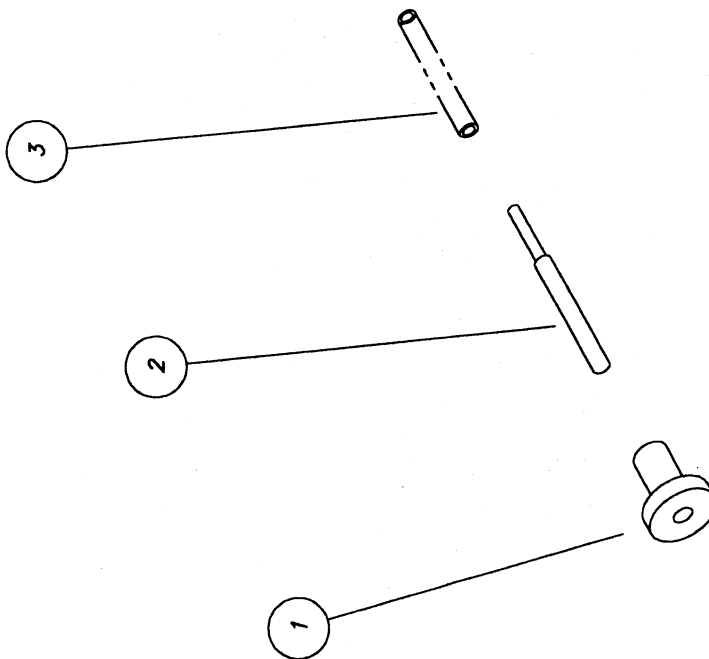
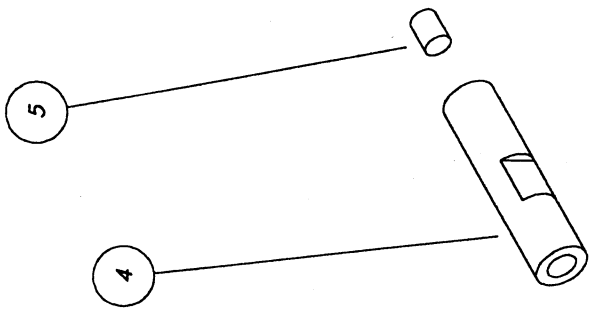
ITEM 13

| ITEM | PART NUMBER | DESCRIPTION | QTY |
|------|-------------|-----------------------------------|-----|
| 20 | 601-600-007 | ALL STANDARD SAFETY REQUIREMENTS | 1 |
| 19 | 007-007-073 | BAG #2/SHIMS | 1 |
| 18 | 601-600-006 | SAFETY TIPS CARD | 1 |
| 17 | 601-600-003 | SAFETY MANUAL, ALL LIFT IT RIGHT | 1 |
| 16 | 009-010-059 | TURNING ASSEMBLY, 13 3/4" | 1 |
| 15 | 009-010-115 | CARRIAGE STOP, DRILLED | 1 |
| 14 | 600-870-002 | WEI-IT, 3/4 X 5" | 18 |
| 13 | 601-170-008 | CONNECTOR, 4 PHONO, NEMA #L14-20R | 1 |
| 12 | 009-010-071 | BAG #1/SMALL PARTS | 1 |
| 11 | 025-002-128 | HEIGHT ADAPTER, 6" | 4 |
| 10 | 025-002-127 | HEIGHT ADAPTER, 3" | 4 |
| 9 | 025-002-035 | LIFTING PAD W/ELMENT | 4 |
| 8 | 009-010-114 | CARRIAGE PIN, 1 3/8 DIA X 8 13/16 | 4 |
| 7 | 600-880-008 | MUT. LOCK, 1 3/8-12 NF | 8 |
| 6 | 025-002-128 | HEIGHT ADAPTER BRACKET | 2 |
| 5 | 601-630-001 | PAINT, SPRAY, RED | 1 |
| 4 | 601-630-002 | PAINT, SPRAY, YELLOW | 1 |
| 3 | 601-600-009 | MANUAL | 1 |
| 2 | 009-010-009 | VALVE ASSEMBLY | 1 |
| 1 | 601-600-004 | BOX, CORRUGATED | 1 |

PARTS BOX & CONTENTS

FILE: MAN232
DATE: 4/96

MAN233



ONE (1) PLUNGER ASSEMBLY PER CARRIAGE
SEE MAN222 FOR ASSEMBLY

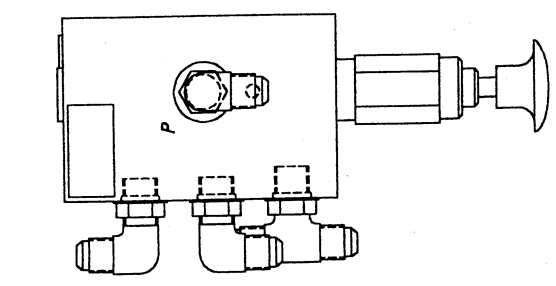
| ITEM | PART NUMBER | DESCRIPTION | QTY |
|------|-------------|-----------------------------|---------|
| 5 | 600-630-001 | SET SCREW, 3/8-16 NC x 1/2" | (1) REF |
| 4 | 009-010-126 | PLUNGER HOUSING | (1) REF |
| 3 | 600-840-019 | SPRING | (1) REF |
| 2 | 009-010-124 | PLUNGER | (1) REF |
| 1 | 009-010-125 | PLUNGER HOUSING CAP | (1) REF |

SPRING PLUNGER ASSEMBLY
(009-010-066)

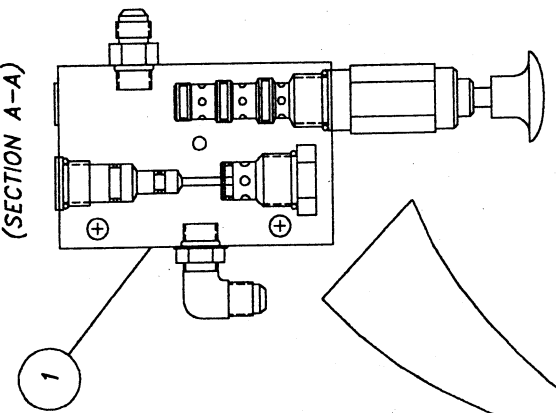
FILE: MAN233
DATE 4/96

MAN235

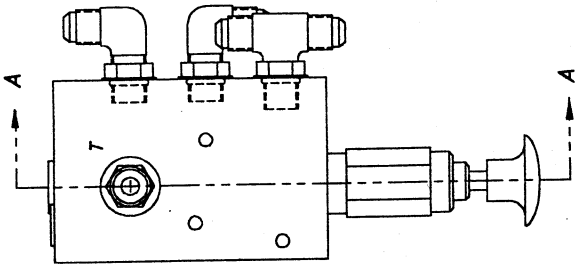
LEFT SIDE VIEW:



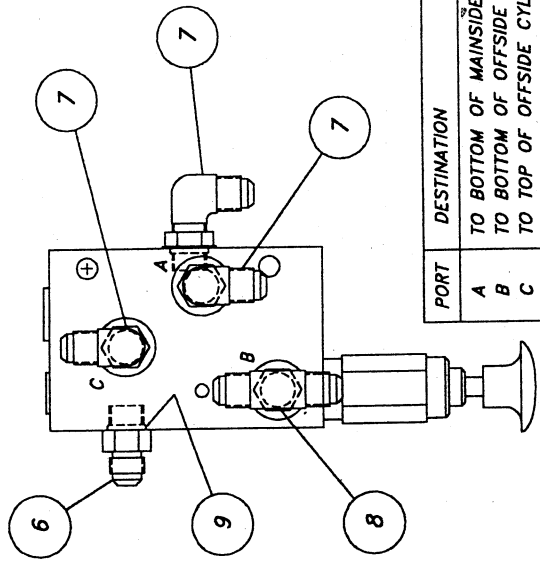
FRONT VIEW:
(SECTION A-A)



RIGHT SIDE VIEW:

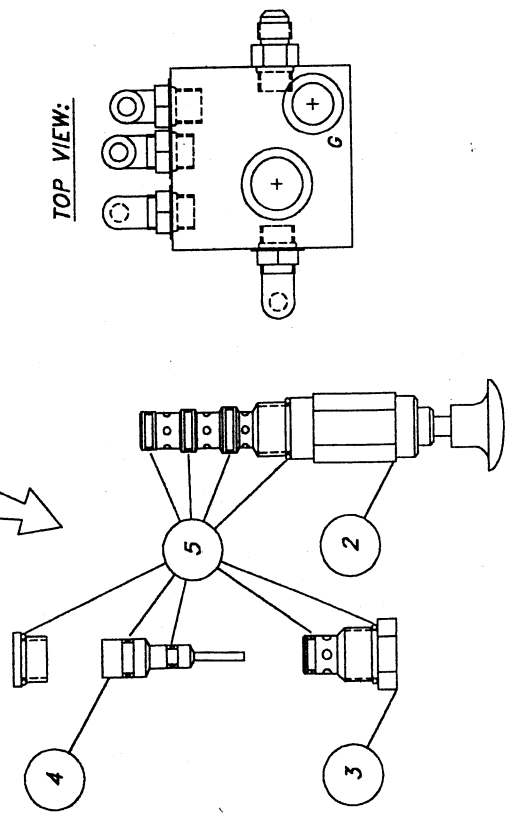


BACK VIEW:



| PORT | DESTINATION |
|------|--------------------------------|
| A | TO BOTTOM OF MAINSIDE CYLINDER |
| B | TO BOTTOM OF OFFSIDE CYLINDER |
| C | TO TOP OF OFFSIDE CYLINDER |
| P | TO PUMP PRESSURE PORT |
| T | TO TANK (RESERVOIR) |

TOP VIEW:



| ITEM | PART NUMBER | DESCRIPTION | QTY |
|------|----------------|---------------------------------------|-----|
| 9 | 601-030-017 | O-RING | 5 |
| 8 | 601-420-046 | FITTING, TEE BRANCH, #6 JIC/ #6 ORB | 1 |
| 7 | 601-420-017 | FITTING, ELBOW, 90°, #6 ORB TO #6 JIC | 3 |
| 6 | 601-420-019 | FITTING, STRAIGHT, #6 ORB TO #6 JIC | 1 |
| 5 | 212239ASK | SEAL REPAIR KIT | 1 |
| 4 | 282247AA | PILOT PISTON ASSY | 1 |
| 3 | CY10-20-0-N-05 | CHECK VALVE | 1 |
| 2 | MP10-42K-0-N | MANUAL PULL VALVE | 1 |
| 1 | 601-410-030 | DIVERTER VALVE | 1 |

DIVERTER VALVE ASSEMBLY

FILE: MAN235
DATE 4/96