

MOHAWK MODEL A-7

MOHAWK

MODEL A-7

PARTS MANUAL



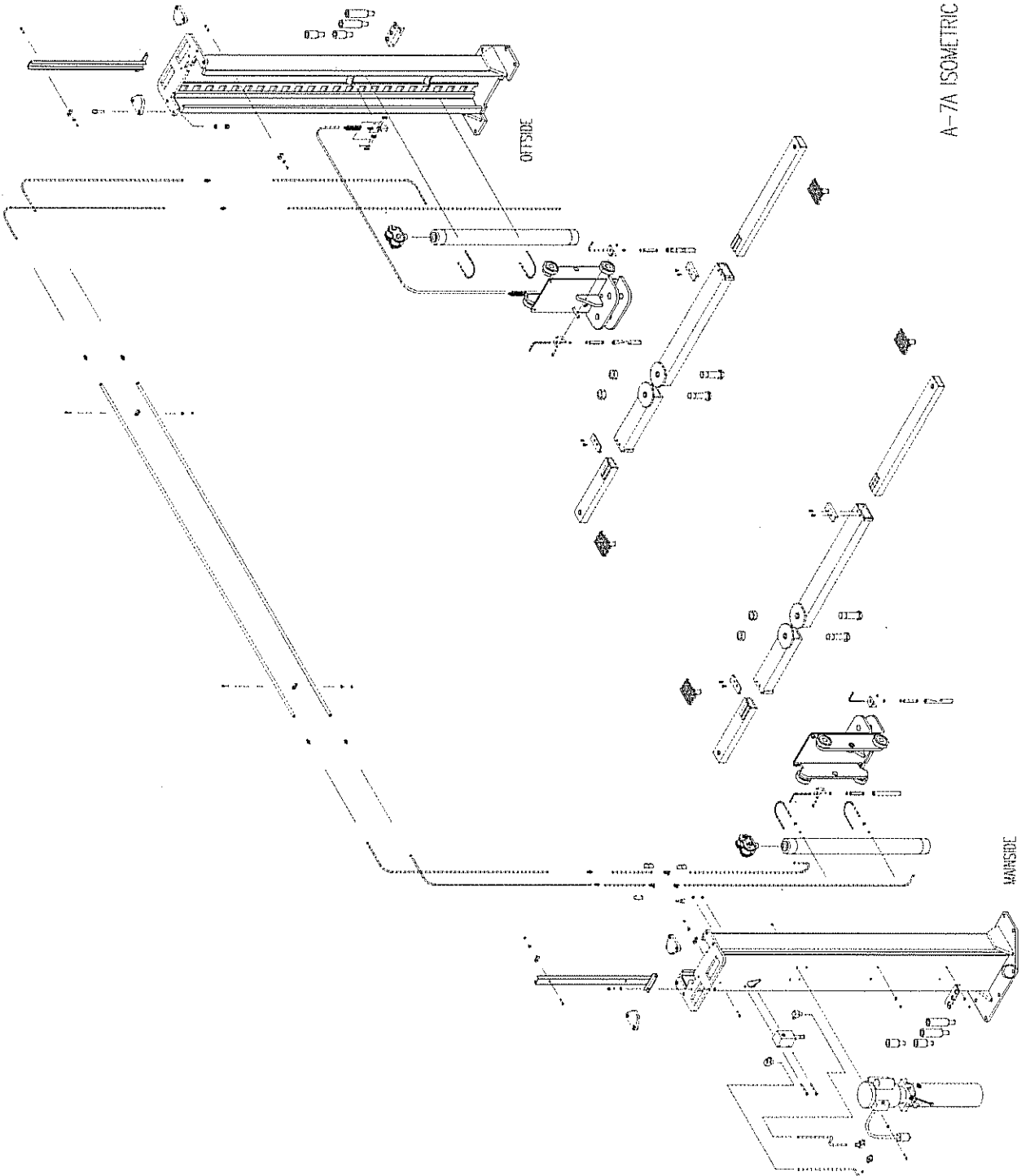
MOHAWK RESOURCES LTD.

65 VROOMAN AVE.
AMSTERDAM, NY 12010
TOLL FREE: 1-800-833-2006
LOCAL: 1-518-842-1431

FAX: 1-518-842-1289
INTERNET: WWW.MOHAWKLIFTS.COM
E-MAIN: SERVICE@MOHAWKLIFTS

MAN120
REV A 2/99

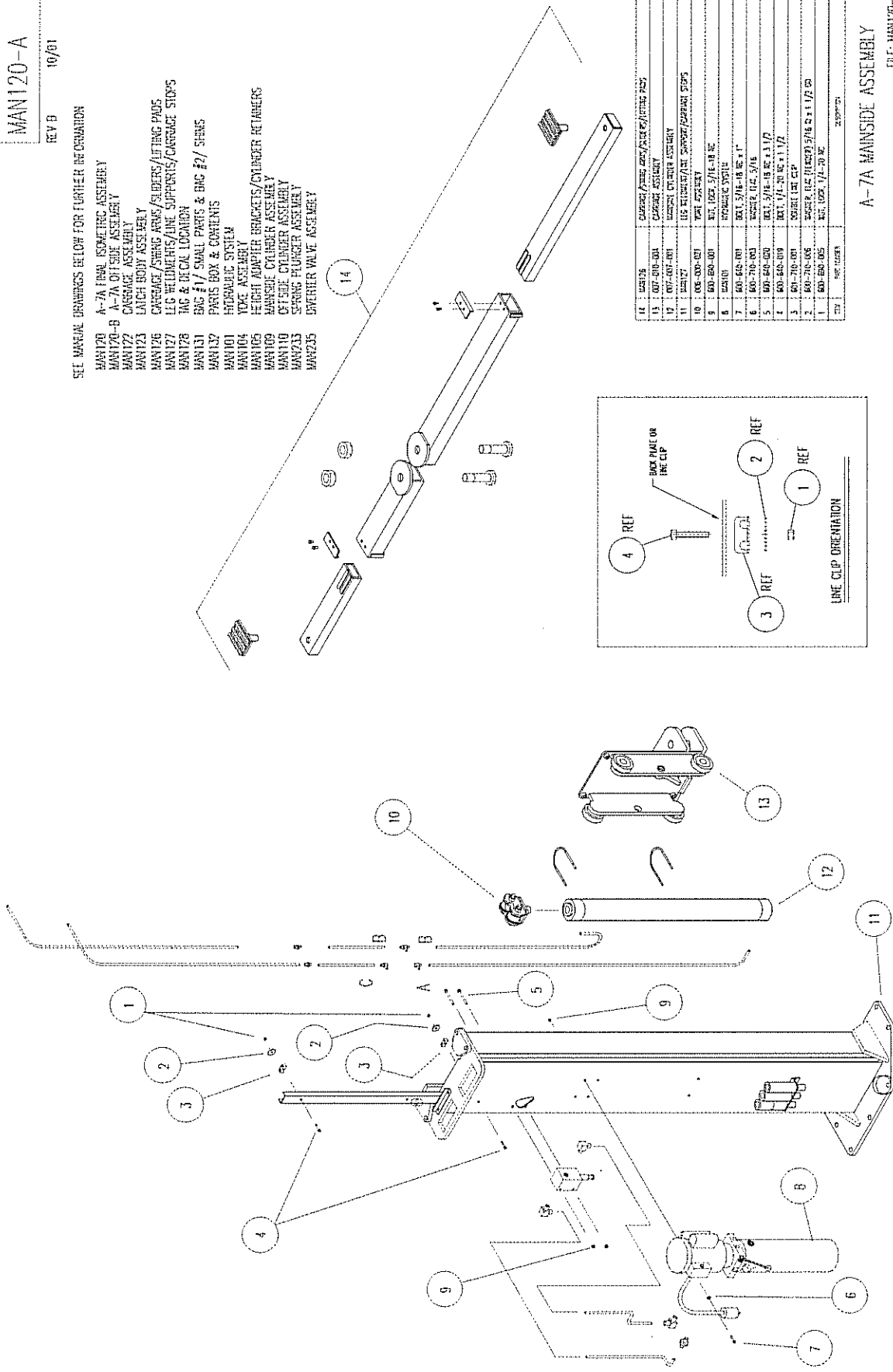
A-7A ISOMETRIC FINAL ASSEMBLY
FILE: MAN120
DATE: 7/98



MAN120-A
REV B 10/91

SEE MANUAL DRAWINGS BELOW FOR FURTHER INFORMATION

- MAN120 A-7A FINAL ISOMETRIC ASSEMBLY
- MAN120-B A-7A OFF SIDE ASSEMBLY
- MAN122 CARRIAGE ASSEMBLY
- MAN123 LATCH BODY ASSEMBLY
- MAN126 CARRIAGE / WING ARMS / SLIDERS / LIFTING PADS
- MAN127 LIG BELTLINE HCS / LINE SUPPORTS / CARRIAGE STOPS
- MAN128 TAG & TIE CAL LOCATION
- MAN131 ENG #1 / SMALL PARTS & ENG #2 / SPARE
- MAN132 PARTS BOX & COMMENTS
- MAN101 HYDRAULIC SYSTEM
- MAN104 YOKE ASSEMBLY
- MAN105 BELTCH AMPLIFIER BRACKETS / CYLINDER RETAINERS
- MAN109 MAINSIDE CYLINDER ASSEMBLY
- MAN110 OFFSIDE CYLINDER ASSEMBLY
- MAN133 SPRING PLUNGER ASSEMBLY
- MAN135 BREWER VALVE ASSEMBLY



REV	DESCRIPTION	DATE	BY	CHKD
1	ISSUED			
2	REVISED			
3	REVISED			
4	REVISED			
5	REVISED			
6	REVISED			
7	REVISED			
8	REVISED			
9	REVISED			
10	REVISED			
11	REVISED			
12	REVISED			
13	REVISED			
14	REVISED			

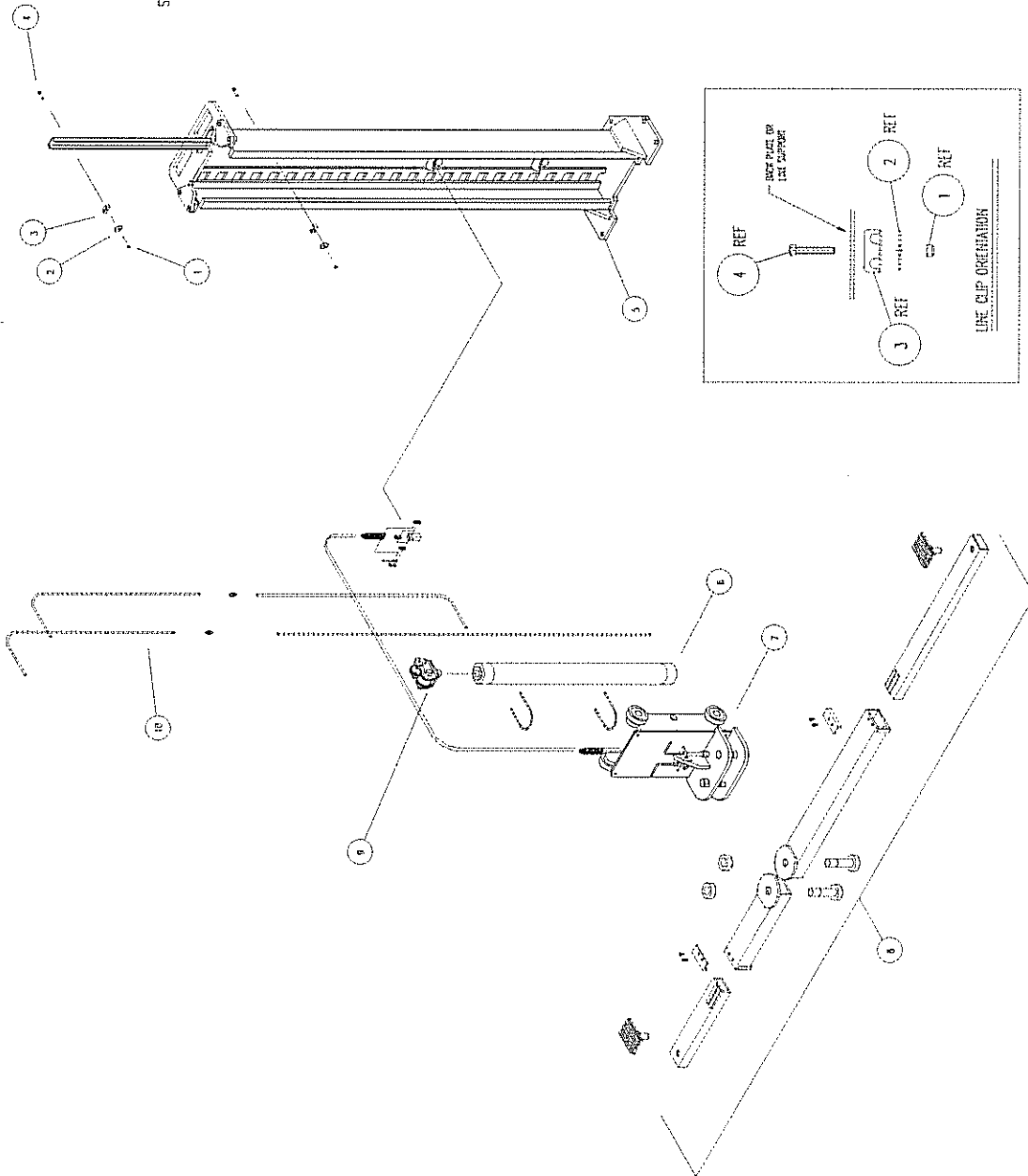
A-7A MAINSIDE ASSEMBLY
FILE: MAN120-A
UNIT: 7796

MAN120-B

REV B 10/01

SEE MANUAL DRAWINGS BELOW FOR FURTHER INFORMATION

- MAN120 A-7A FIVE ISOMETRIC ASSEMBLY
- MAN120-A A-7A MANSIDE ASSEMBLY
- MAN122 CARGO ASSEMBLY
- MAN123 LATCH BODY ASSEMBLY
- MAN126 CARGO/STRAP JAWES/SEEDERS/LETTERS PARTS
- MAN127 LEG WELDMENTS/WE SUPPORTS/CARGO STOPS
- MAN128 BAG & DECK LATCH
- MAN131 BAG #1/ SMALL PARTS & BAG #2/ SEWS
- MAN132 PARTS BOX & CONTENTS
- MAN101 HYDRAULIC SYSTEM
- MAN104 YOKE ASSEMBLY
- MAN105 HEIGHT ADAPTER BRACKET/CYLINDER RETAINERS
- MAN109 MANSIDE CYLINDER ASSEMBLY
- MAN110 OFFSIDE CYLINDER ASSEMBLY
- MAN123 STRAP PULGER ASSEMBLY
- MAN125 EMERGENCY VALVE ASSEMBLY

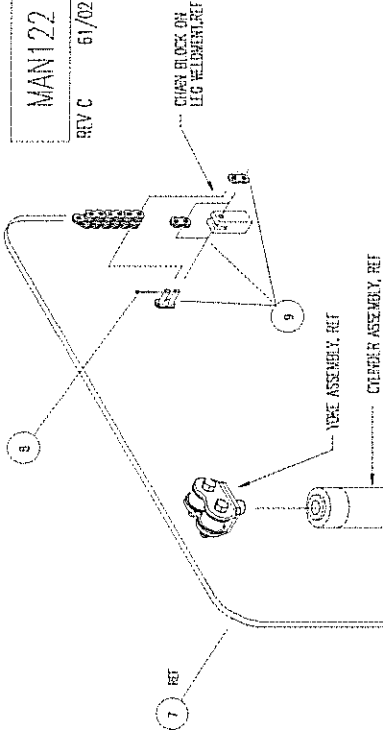


NO.	QUANTITY	DESCRIPTION	UNIT
1	1	HYDRAULIC SYSTEM	1
2	1	MAN120-A	1
3	1	MAN122	1
4	1	MAN123	1
5	1	MAN126	1
6	1	MAN127	1
7	1	MAN128	1
8	1	MAN131	1
9	1	MAN132	1
10	1	MAN101	1
11	1	MAN104	1
12	1	MAN105	1
13	1	MAN109	1
14	1	MAN110	1
15	1	MAN123	1
16	1	MAN125	1
17	1	MAN120	1

A-7A OUTSIDE ASSEMBLY
 FILE: MAN120-B
 DATE: 7/98

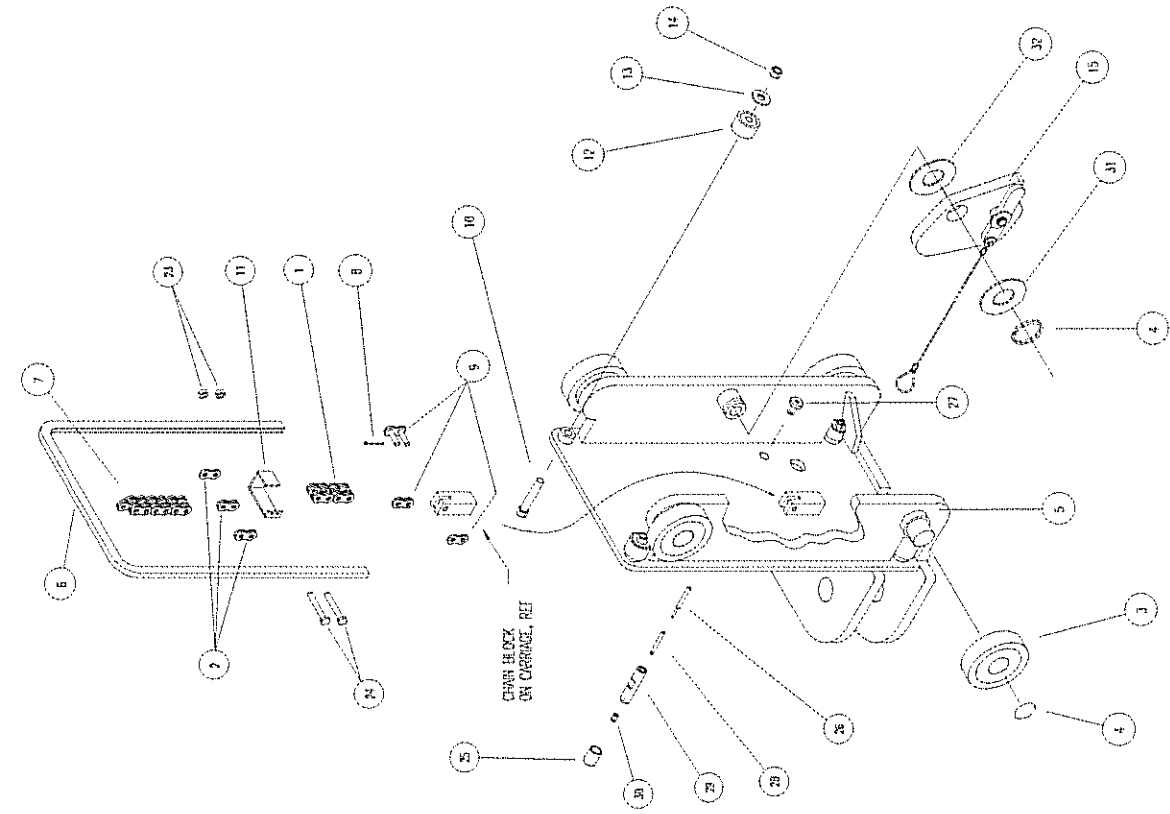
MOHAWK MODEL A-7

MAN122
REV C 61/02



QUANTITIES SHOWN ARE FOR (1) CARRIAGE

32	600-710-014	WASHER, FLAT, 1 1/8" DIA	1
31	007-607-178	WASHER (LOCKWASHER)	1
30	600-630-001	STL SCREW, 3/8"-16 NC x 1 1/2	1
29	009-010-176	PULLEY, 100/254	1
28	600-640-019	SPRING	1
27	009-010-175	PULLEY, 100/254 CW	1
26	009-010-174	PULLEY	1
25	001-460-001	CSG WASH, 3/4" x 1" SHP	1
24	600-650-050	BOLT, 5/16"-18 NC x 2 1/2	1
23	600-650-001	WASHER, FLAT, 5/16"-18 NC	1
22	007-607-119	WASHER	2
21	600-640-007	SPRING	2
20	600-710-003	WASHER, FLAT, 5/16"	7
19	600-650-003	BOLT, FLAT, 5/16"-18 NC	2
18	600-650-002	BOLT, 5/16"-18 NC x 1 1/2	2
17	007-607-141	WASHER	7
16	007-607-140	HANDLE SUPPORT	2
15	007-010-013	LATCH BODY ASSEMBLY	1
14	600-650-006	REF. LOCK, 7/16"-14 NC	4
13	600-710-005	WASHER, FLAT, 7/16"	4
12	600-650-009	CALL TYPE SCREW, 1 1/2" DIA	4
11	007-607-167	J-BAR	1
10	600-650-006	BOLT, 7/16"-14 NC x 2 1/2	4
9	600-630-026	WASHER CHAIR LEG ASSEMBLY	2
8	600-650-001	CORNER PNL, 3/32" DIA x 1 1/2	2
7	600-630-003	CHAIN [50 1/2"] 67 PITCHES	1
6	007-607-401	TRAIL LOK, 47"	1
5	007-010-005	CARRIAGE WELDMENT	1
4	600-670-001	SHAP PEAR, 1 1/8"	5
3	600-650-012	CARRIAGE PULLER ASSEMBLY	4
2	600-630-027	CHAIN LINK, 14-646	5
1	006-010-437	CHAIN, 2 1/2" (19 PITCHES)	1
123	600-710-001	ASSEMBLY	67



A-7A CARRIAGE, CHAIN, & ARM LOCK

FILE: MAN122
DATE: 7/98

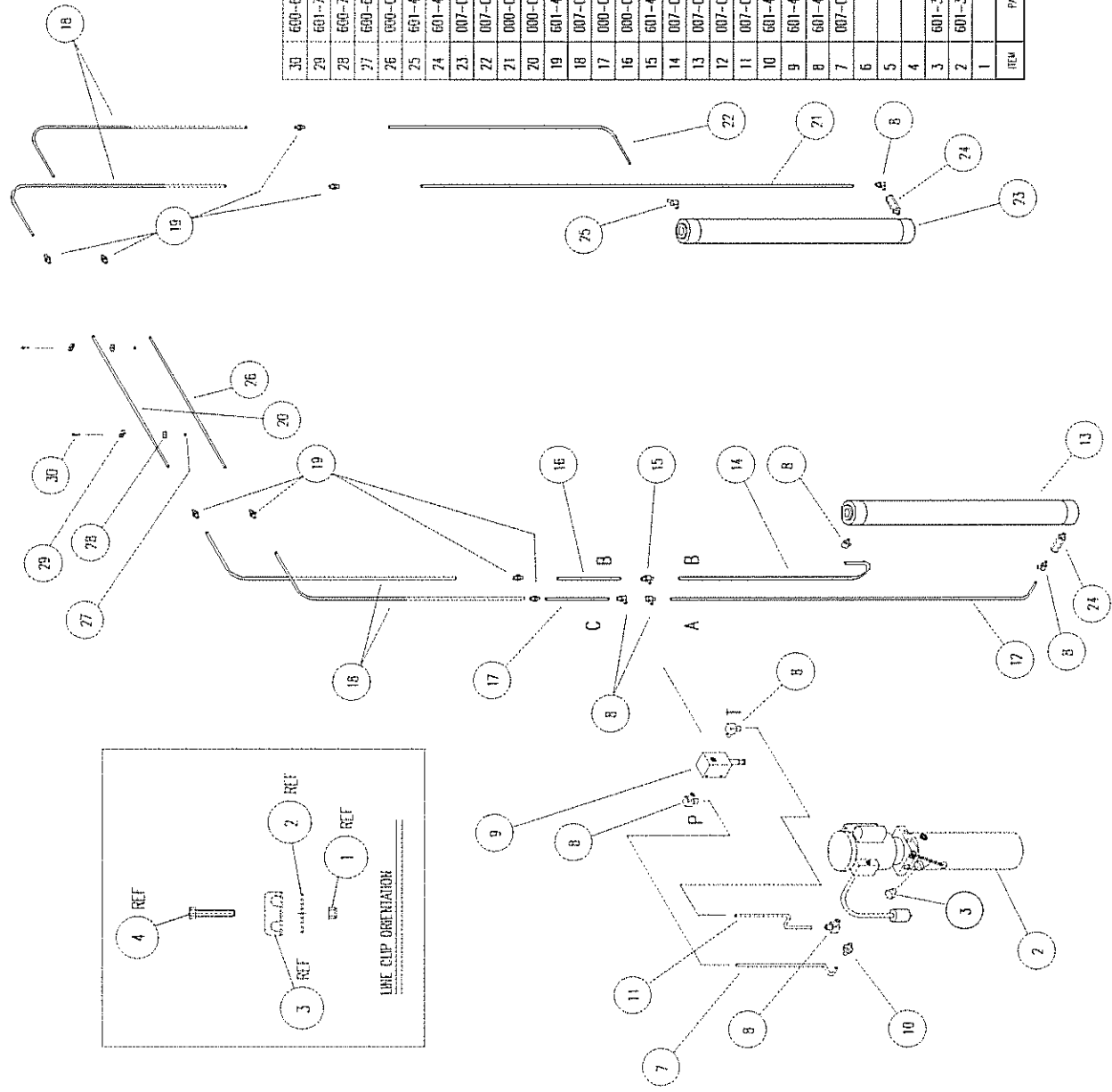
MAN101

REV C 10/01

MOHAWK MODEL A-7

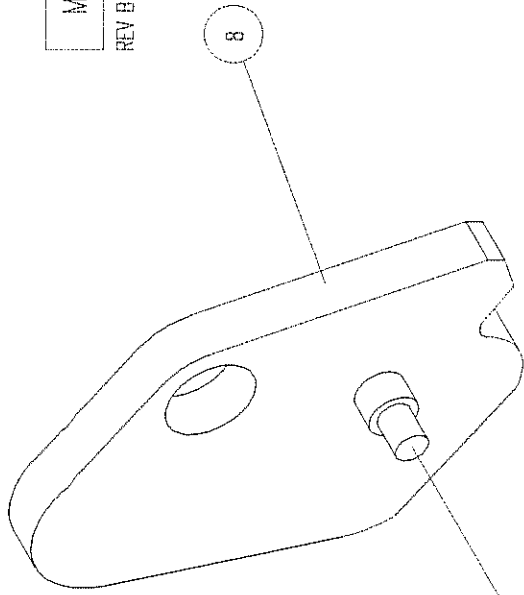
A-7 HYDRAULIC SYSTEM

FILE: MAN101
DATE: 6/95



ITEM	PART NUMBER	DESCRIPTION	QTY
30	600-640-019	BOLT, 1/4-20 NC x 1 1/2, HEX HEAD CAP	7
29	601-710-001	DOUBLE LINE CLIP	7
28	600-710-056	WASHER, FLAT (FIBER) 5/16 ID x 1 1/2 OD	2
27	600-690-005	NUT, LOCK, 1/4-20 NC	2
26	000-001-013	TUBING ASSEMBLY, 85 7/8"	1
25	601-470-061	ELECR. 45 L. #6 ORB TO #6 JIC	1
24	601-410-031	VELOCITY FUSE, 4 GPM	7
23	007-007-002	CYLINDER ASSEMBLY, OFFSIDE	1
22	007-007-031	TUBING ASSEMBLY, 45 1/4"	1
21	000-001-015	TUBING ASSEMBLY, 86"	1
20	000-001-014	TUBING ASSEMBLY, 84 3/8"	1
19	601-420-011	STRAIGHT UNION, #6 JIC TO #6 JIC	8
18	007-007-020	TUBING ASSEMBLY, 64"	4
17	000-001-019	TUBING ASSEMBLY, 9 1/2"	1
16	000-001-018	TUBING ASSEMBLY, 12"	1
15	601-420-046	TEE, BRANCH, #6 ORB TO #6 JIC TO #6 JIC	1
14	007-007-050	TUBING ASSEMBLY, 43"	1
13	007-007-001	CYLINDER ASSEMBLY, MAINSIDE	1
12	007-007-051	TUBING ASSEMBLY, 74"	1
11	007-007-084	TUBING ASSEMBLY, 20 3/4"	1
10	601-470-019	STRAIGHT, #6 ORB TO #6 JIC	1
9	601-410-030	DIVERIER VALVE	1
8	601-470-017	ELBOW, 90 L. #6 ORB TO #6 JIC	8
7	007-007-083	TUBING ASSEMBLY, 24 3/4"	1
6			
5			
4			
3	601-310-005	BREATHER CAP	1
2	601-300-045	POWER UNIT	1
1			

MAN123
REV B 6/99



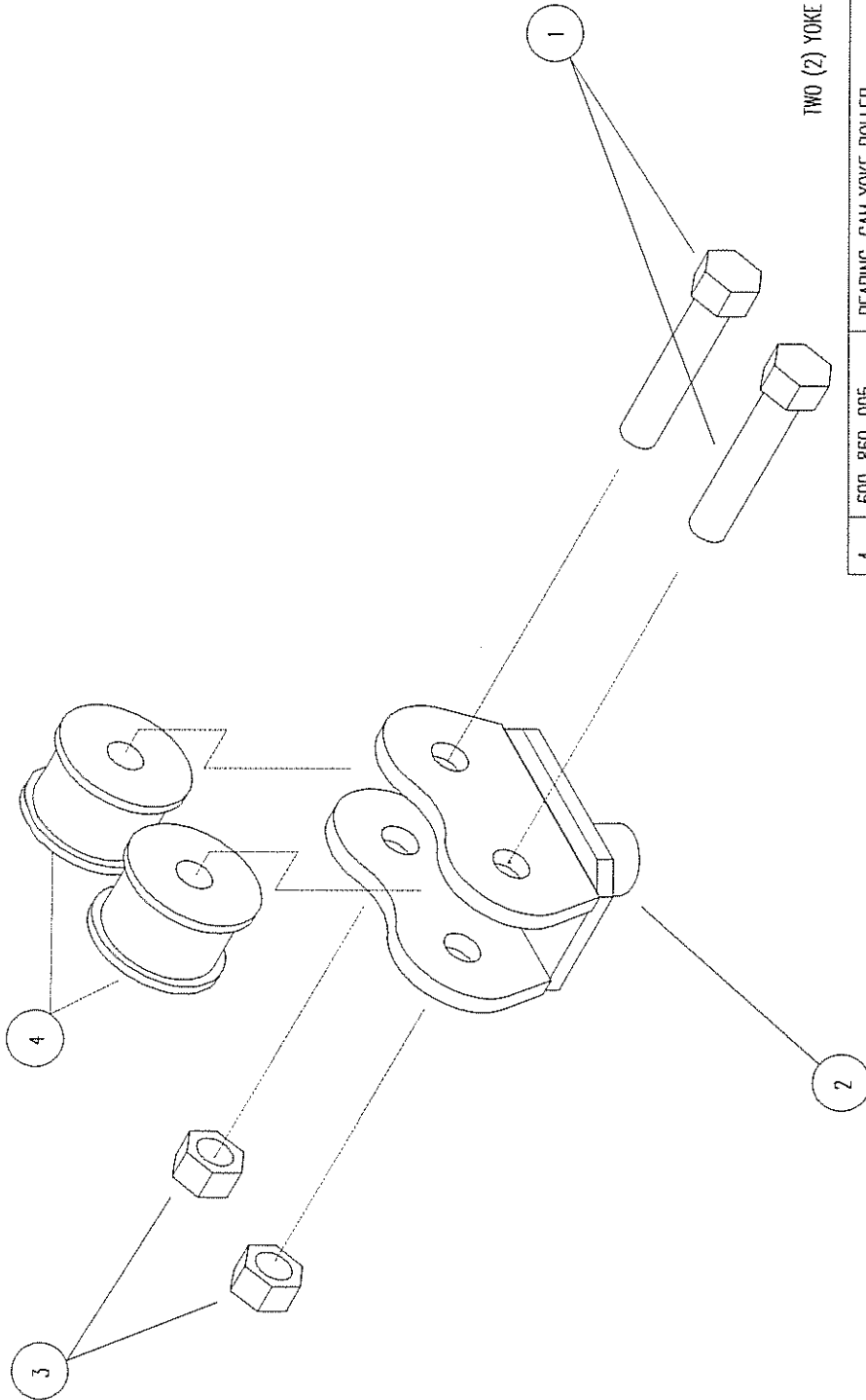
TWO (2) LATCH BODY ASSEMBLIES PER LIFT

ITEM	PART NUMBER	DESCRIPTION	QTY
9	600-710-008	WASHER, FLAT, 1/2	1
8	009-010-067	LATCH BODY WELDMENT	1
7	600-890-002	COTTER PIN, 3/32 x 1/2	1
6	600-880-001	CLEVIS PIN, 7/8 LG	1
5	007-007-147	FLIPPER	1
4	007-007-046	SAFETY RELEASE CABLE ASSEMBLY	1
3	600-710-004	WASHER, FLAT, 1/4	1
2	600-870-003	SNAP RING, 1/2	1
1	600-710-005	WASHER, FLAT, 7/16	1

A-7A LATCH BODY ASSEMBLY
(007-010-013)

FILE: MAN123
DATE: 7/98

MAN104



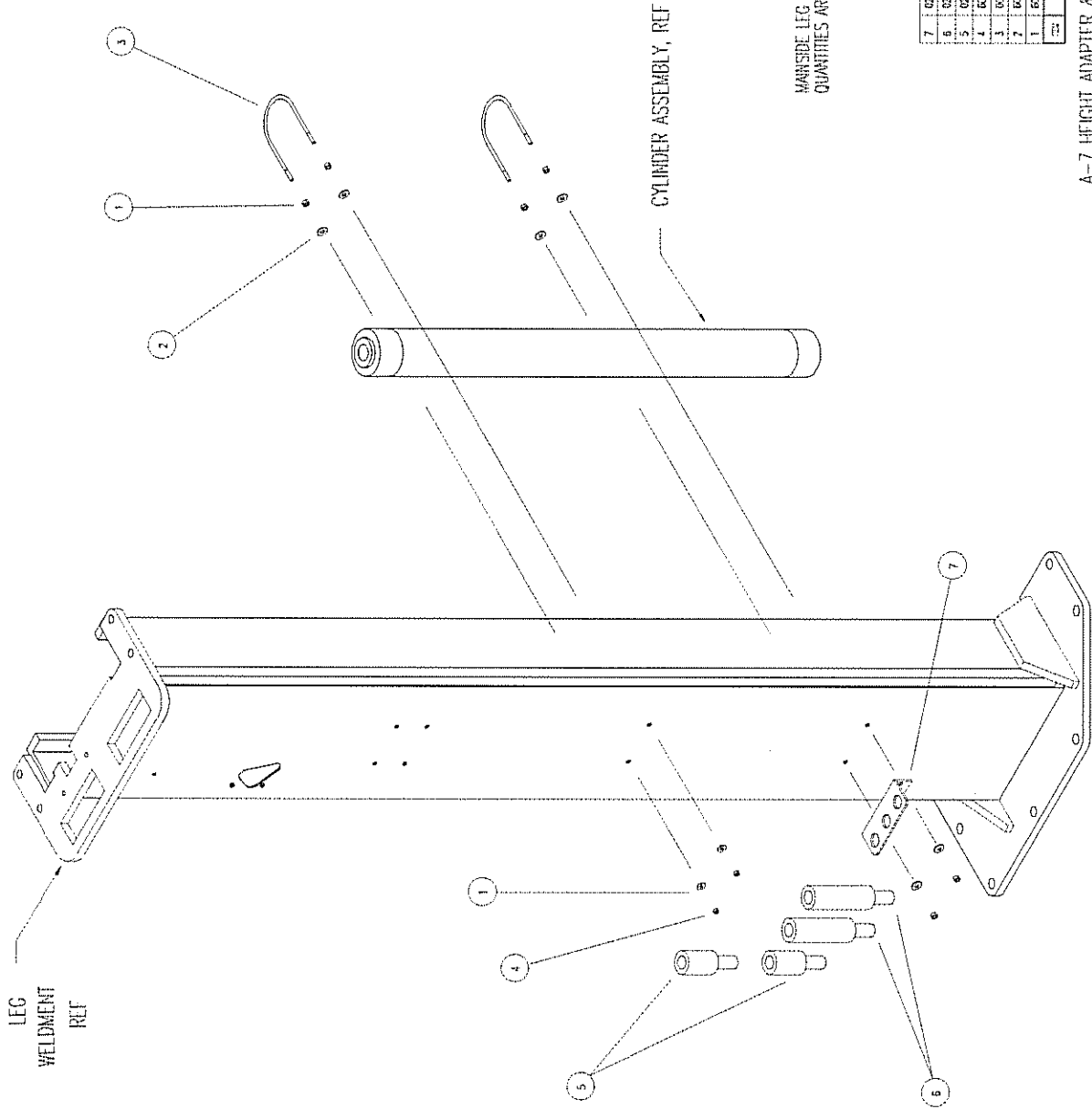
TWO (2) YOKE ASSEMBLIES PER LIFT

ITEM	PART NUMBER	DESCRIPTION	QTY
4	600-860-005	BEARING, CAM YOKE ROLLER	2
3	600-690-003	NUT, LOCK, 3/4-16 NF	2
2	006-000-012	YOKE WELDMENT	1
1	006-000-139	BOLT, 3/4-16 NF x 3 3/4 (MACHINED)	2

A-7 YOKE ASSEMBLY
(006-000-021)

FILE: MAN104
DATE: 5/96

MAN105
REV A 2/99



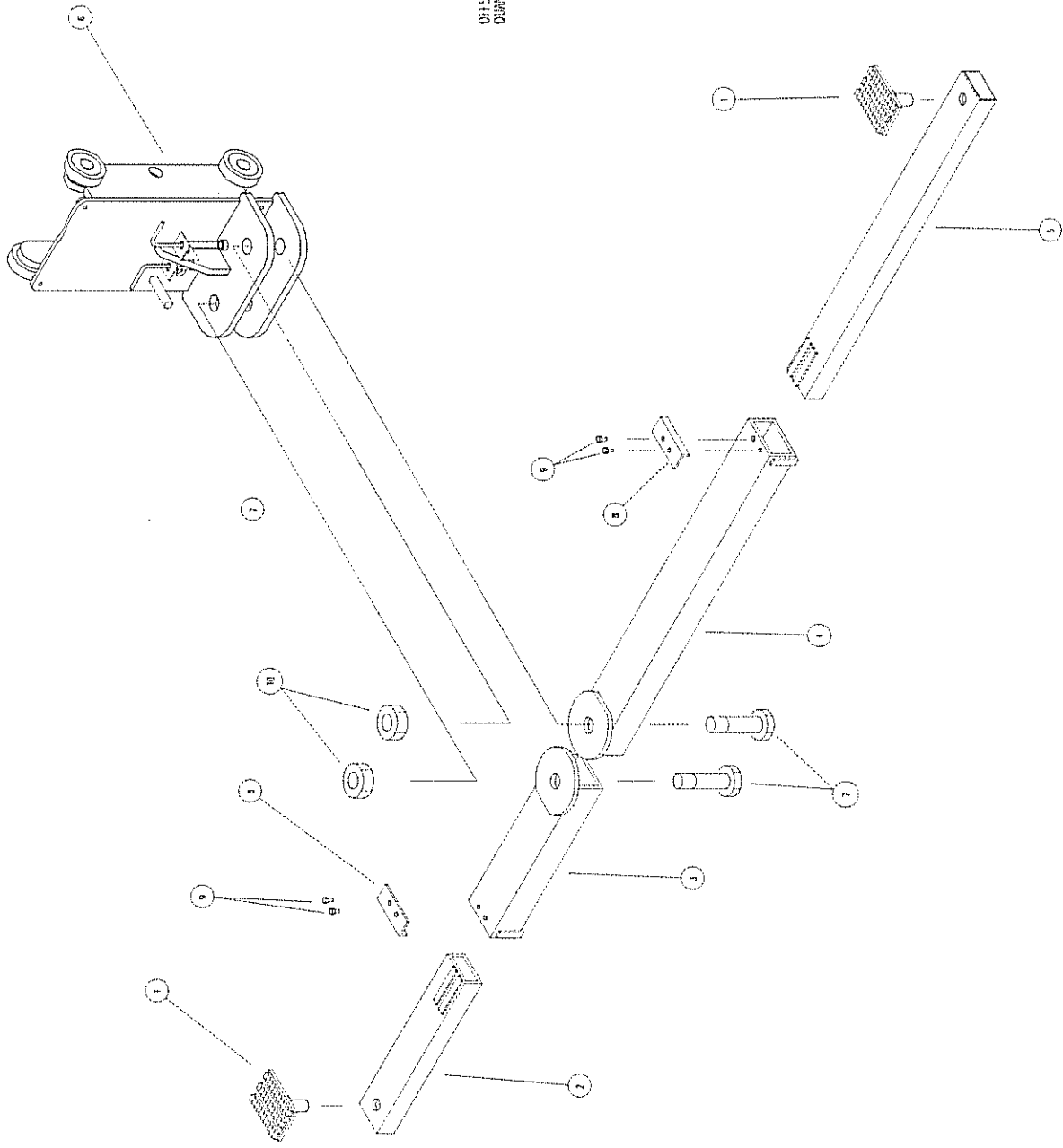
7	605-002-126	HEIGHT ADAPTER BRACKET	1
6	605-002-128	HEIGHT ADAPTER, 5"	2
5	605-002-127	HEIGHT ADAPTER, 3"	2
4	605-650-065	REF. LOCK W/4-20 HC	4
3	607-007-171	CYLINDER CLAMP	2
2	600-650-066	REF. NUT, 1/4-20 HC	4
1	600-710-004	WASHER, 1/4"	8
772	REF. USER	3 SUPPLY	DT

A-7 HEIGHT ADAPTER & BRACKET / CYLINDER CLAMPS

FILE: MAN105
DATE: 5/96

MOHAWK MODEL A-7

MAN126



OUTSIDE CARRIAGE SHOWN
QUANTITIES ARE THE SAME FOR THE MAINSIDE

10	600-650-015	NET. TEXT (LAW), 1 1/2-17 1/2	7
9	600-650-014	NET. TEXT (LAW), 5/16-24 1/2 1 1/8	4
8	001-001-153	SLIDER ARM STOP	2
7	001-016-103	SLIDER ARM PAD	2
6	001-016-004	CARRIAGE ASSEMBLY	WT
5	001-001-017	SLIDER (LAW)	1
4	001-001-015	SLIDER ARM (LAW)	1
3	001-001-016	SLIDER ARM (TEXT)	1
2	001-001-017	SLIDER PAD (TEXT)	1
1	001-001-016	SLIDER PAD	2
TOTAL	PER LIST	2800074	67

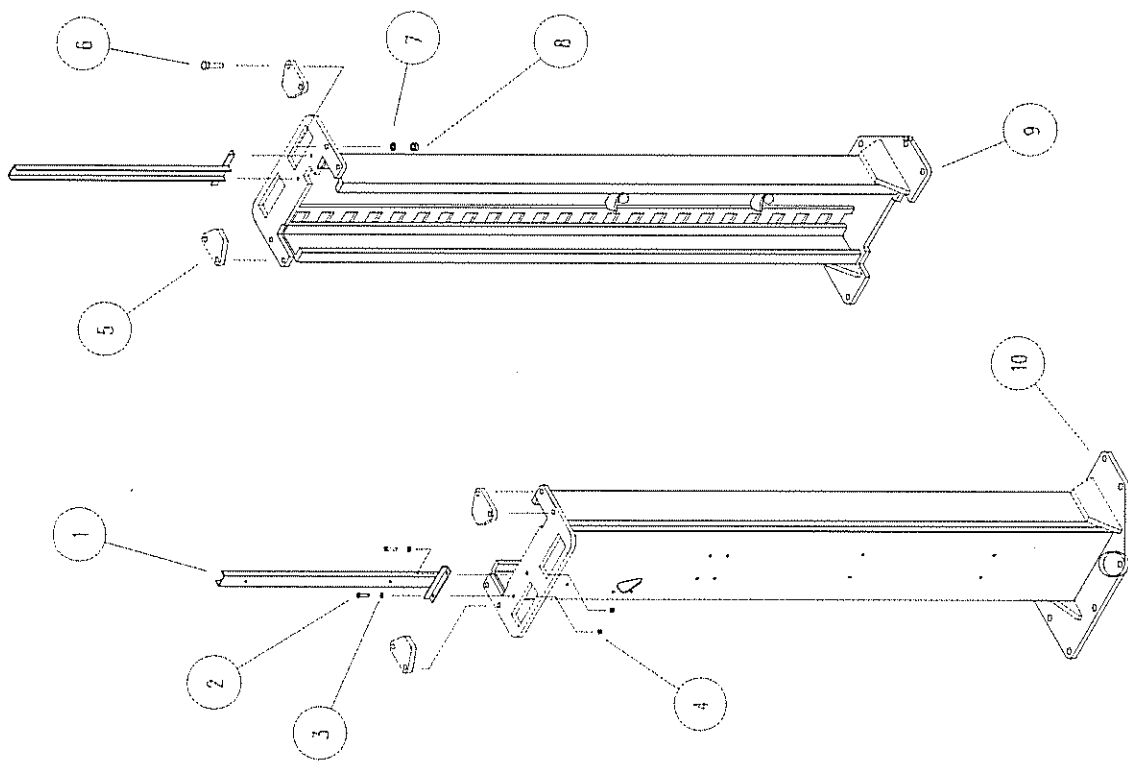
A-7A CARRIAGE/SWING ARMS/SLIDERS/LIFTING PADS

FILE: MAN126
DATE: 7/98

MAN127

REV A 2/99

MOHAWK MODEL A-7



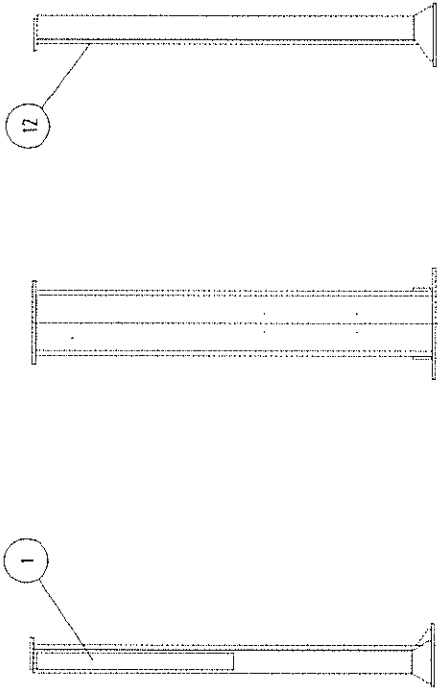
ITEM	PART NUMBER	DESCRIPTION	QTY
10	007-010-007	MAINSIDE LEG WELDMENT	1
9	007-010-008	OFFSIDE LEG WELDMENT	1
8	600-680-002	NUT, PLAIN, 5/8-11 NC	8
7	600-720-001	WASHER, LOCK, 5/8	8
6	600-640-010	BOLT, 5/8-11 NC x 2 1/2	8
5	009-001-141	CARRIAGE STOP	4
4	600-690-005	NUT, LOCK, 1/4-20 NC	4
3	600-710-004	WASHER, FLAT, 1/4	4
2	600-640-019	BOLT, 1/4-20 NC x 1 1/2	4
1	007-007-033	LINE SUPPORT	2

A-7A LEG WELDMENT/LINE SUPPORTS/CARRIAGE STOPS

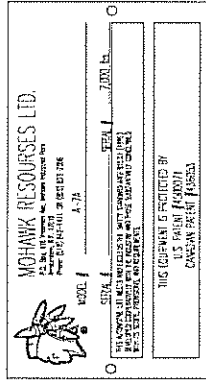
FILE: MAN127
DATE: 7/98

NOTES:

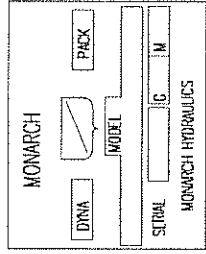
1. PLACE ITEM 9 IN POSITION SHOWN & MATCH DRILL (2) 3/32 DIA HOLES THRU BACK PLATE.
2. ITEMS 1 WILL BE PLACED ON SAME SIDE (MANSIDE & OFFSIDE) OF LEG AT THE ANGLED SIDE OF BASE PLATE.
3. LOCATE ITEM 9 AT 72" FROM FLOOR, CENTERED ON BACKPLATE.



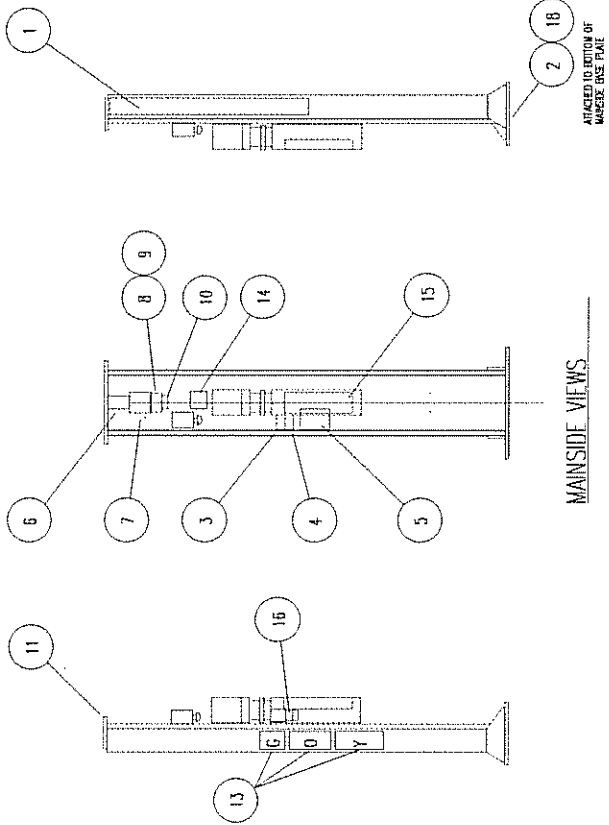
OFFSIDE VIEWS



(MOHAWK SERIAL TAG)



(MONARCH POWER UNIT DECAL)



MAINSIDE VIEWS

10	601-000-110	PACKING LIST EMPLOYE	5 1/2 x 7 1/2	1
17	601-000-100	DECAL WARNING	7 1/2 x 8 1/2	2
18	601-000-000	DECAL MONARCH POWER UNIT		1
15	601-000-001	OPERATIONAL INSTRUCTION DECAL		1
14	601-000-002	DECAL DYNAMIS CENTERED	3" x 3"	1
13	601-000-003	CAUTION WARNING SAFETY DECAL	4" x 26 3/4"	1
12	601-000-004	OFFSIDE LEG ASSEMBLY		REF
11	601-000-005	MONARCH LTD ASSEMBLY		REF
10	601-000-006	SPRINKLER SPEC. PLUM. DIAG.	2 1/16 x 4 9/16	1
9	601-000-007	SAFETY DRIVE	1 1/2 x 3 1/4	1
8	601-000-008	SAFETY DRIVE	1 1/2 x 3 1/4	1
7	601-000-009	MONARCH CURVED TUBES DECAL	5" x 5"	1
6	601-000-010	MONARCH CURVED TUBES DECAL	3 1/8 x 3 3/16	1
5	601-000-011	WARNING A-7 MODEL 5" x 7"		1
4	601-000-012	WARNING DECAL 7" x 3 1/2"		1
3	601-000-013	CAUTION DECAL 7" x 3 1/2"		1
2	601-000-014	WARNING DECAL 4" x 5 1/2"		1
1	601-000-015	MONARCH DECAL 6 3/16 x 41 3/4"		2
				QTY

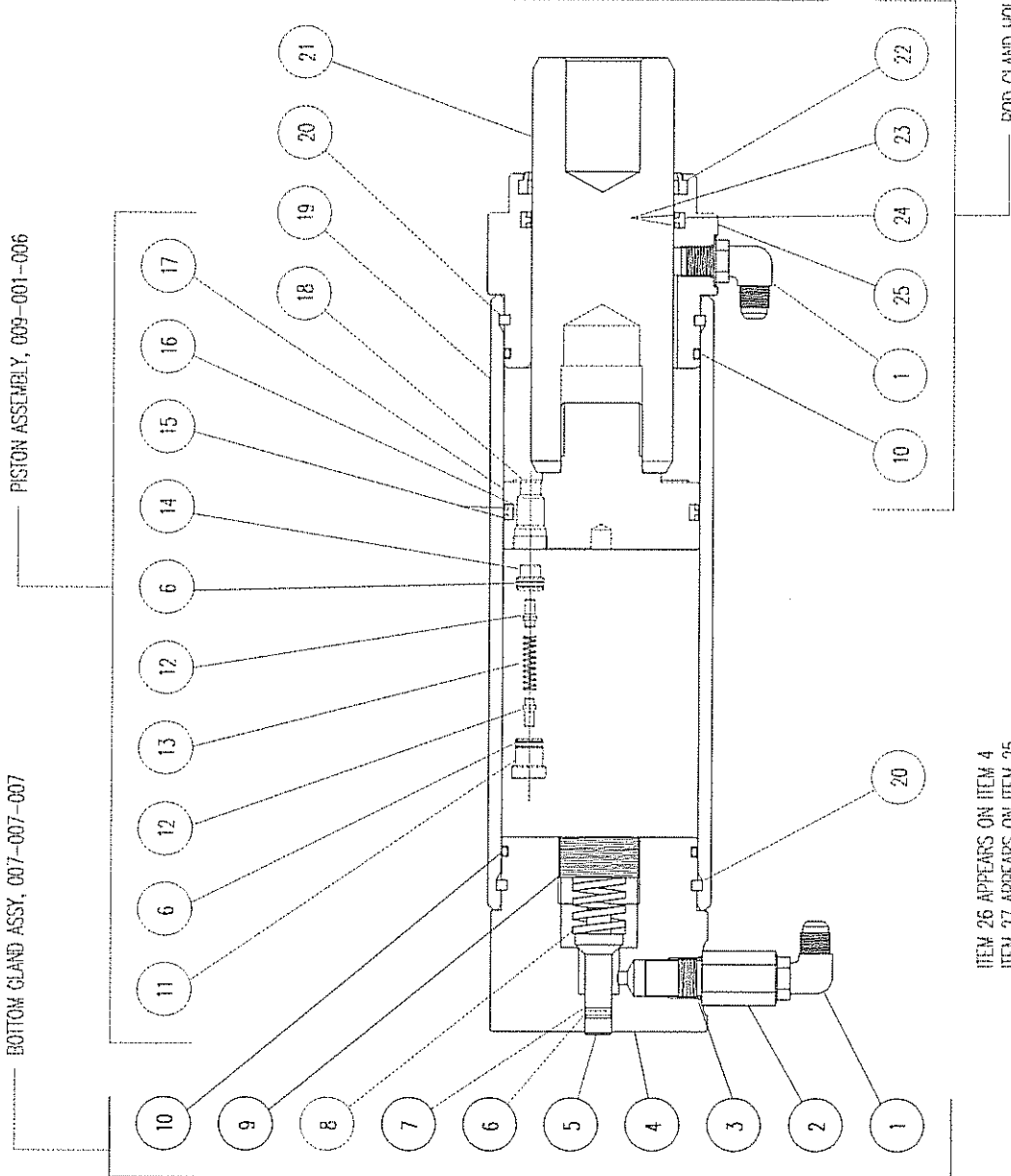
TYPICAL, BOTH CARRIAGES

A-7A TAG & DECAL LOCATIONS

MAN109
REV A 7/25/01

MOHAWK MODEL A-7

ITEM	PART NUMBER	DESCRIPTION	QTY
1	601-420-017	FITTING, 90 ELBOW	2
2	601-410-031	VELOCITY FUSE -4	1
3	601-030-008	O-RING	REF
4	007-007-110	BOTTOM GLAND	1
5	009-010-113	INLET SPOOL	1
6	601-030-002	O-RING	3
7	601-060-003	BACK-UP RING	2
8	600-840-002	SPRING	1
9	007-007-145	SET SCREW	1
10	601-030-003	O-RING	2
11	009-001-153	RETAINER	1
12	009-001-152	SPOOL	2
13	600-840-008	SPRING	1
14	009-001-151	INSERT	1
15	601-060-013	BACK-UP RING	2
16	601-010-005	PISTON T-SEAL	1
17	009-001-108	PISTON	1
18	007-007-143	WASHER	1
19	009-001-104	BARREL	1
20	025-002-132	SPIN KEY	2
21	009-001-105	ROD	1
22	601-020-003	WIPER	1
23	601-060-007	BACK-UP RING	2
24	601-000-003	ROD T-SEAL	1
25	015-000-109	ROD GLAND	1
26	601-800-021	DECAL, CAUTION	1
27	601-800-022	DECAL, PATENT	1



A-7
MAINSIDE CYLINDER ASSEMBLY
(007-007-001)

ITEM 26 APPEARS ON ITEM 4
ITEM 27 APPEARS ON ITEM 25
ROD GLAND HOUSING ASSEMBLY, 009-001-002

FILE: MAN109
DATE 5/96

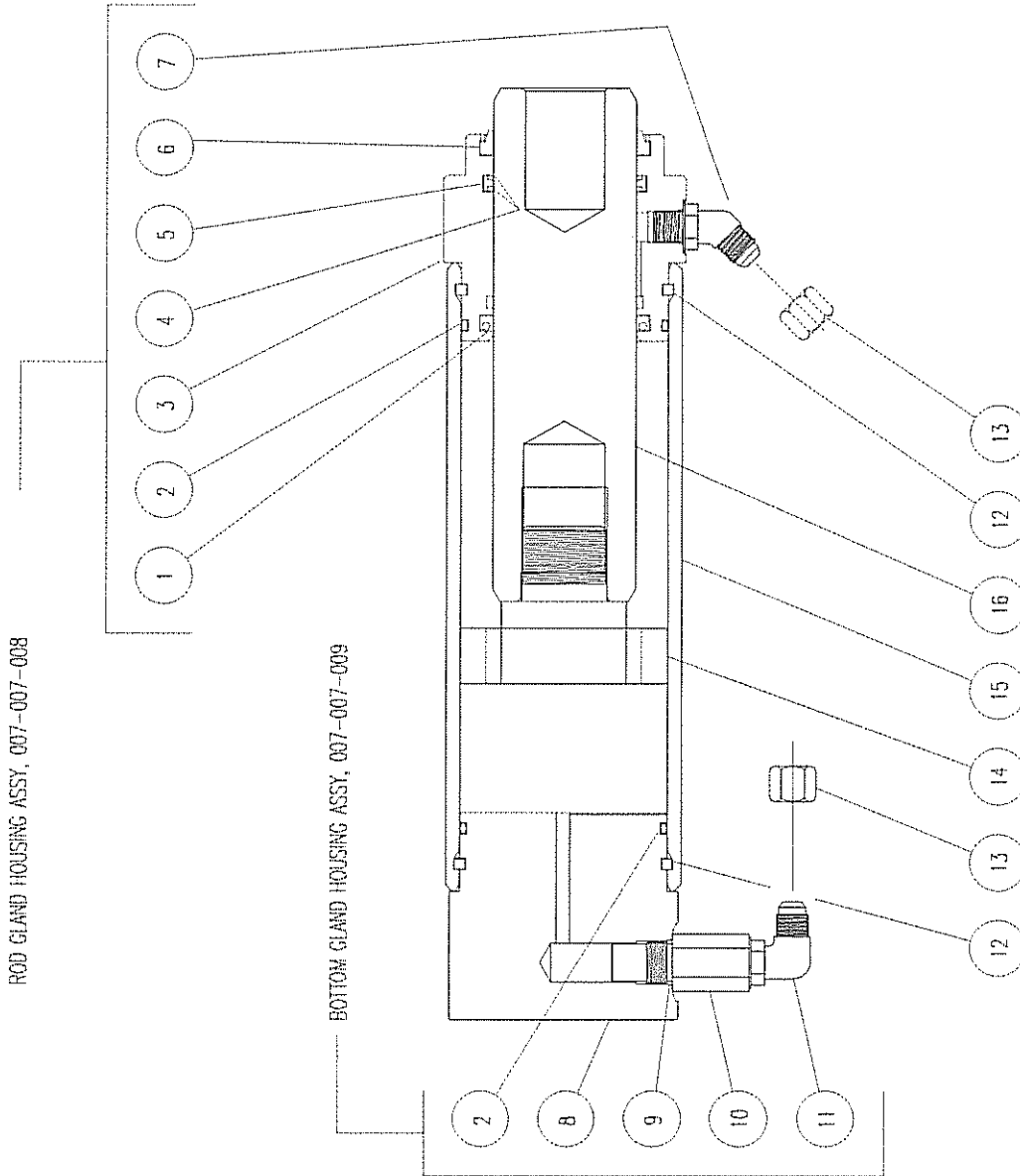
MAN110

REV-A 10/01

MUHAWK MODEL A-7

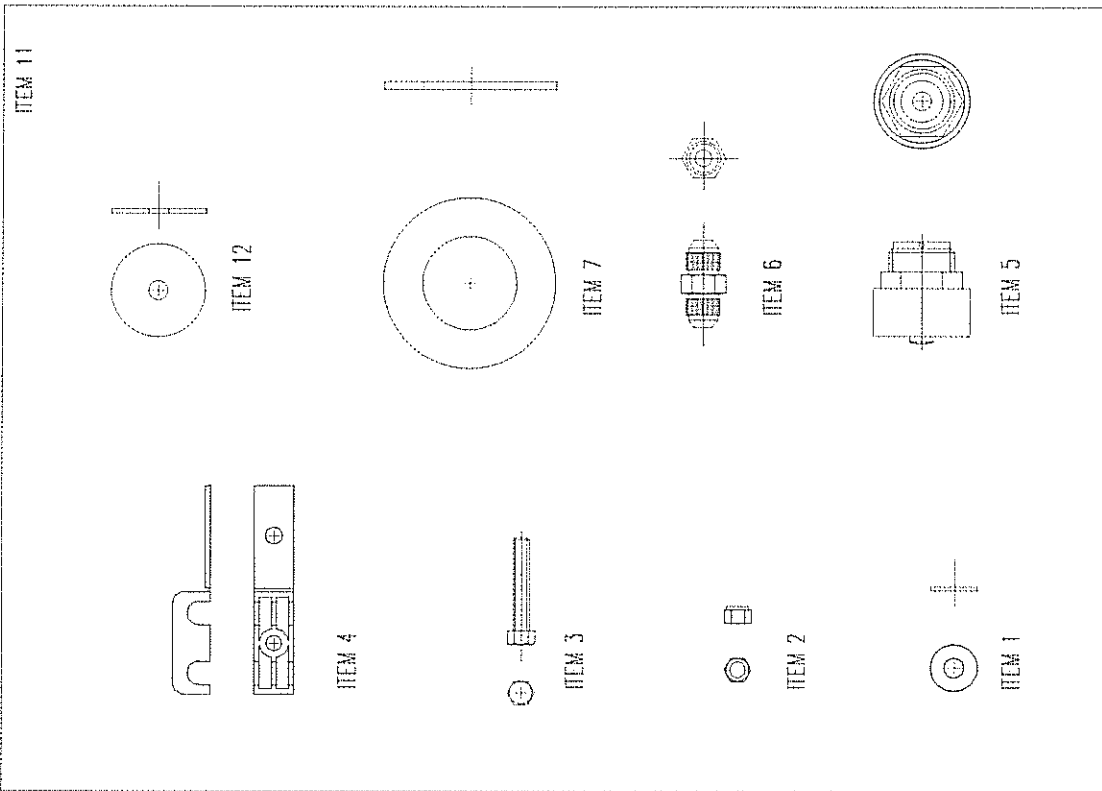
ITEM	PART NUMBER	DESCRIPTION	QTY
1	601-040-001	POLY-PAK SEAL	1
2	601-030-003	O-RING	2
3	015-000-110	ROD GLAND	1
4	601-060-006	BACK-UP RING	2
5	601-000-002	ROD T-SEAL	1
6	601-020-002	ROD WIPER	1
7	601-420-061	FITTING, 45 ELBOW	1
8	007-007-108	BOTTOM GLAND	1
9	601-030-008	O-RING	1
10	601-410-031	VELOCITY FUSE -4	1
11	601-420-017	FITTING, 90 ELBOW	1
12	025-002-132	SPIN KEY	2
13	601-420-001	CAP NUT	2
14	007-007-101	PISTON	1
15	009-001-104	BARREL	1
16	007-007-128	ROD	1

A-7
OFFSIDE CYLINDER ASSEMBLY
(007-007-002)



FILE: MAN110
DATE 5/96

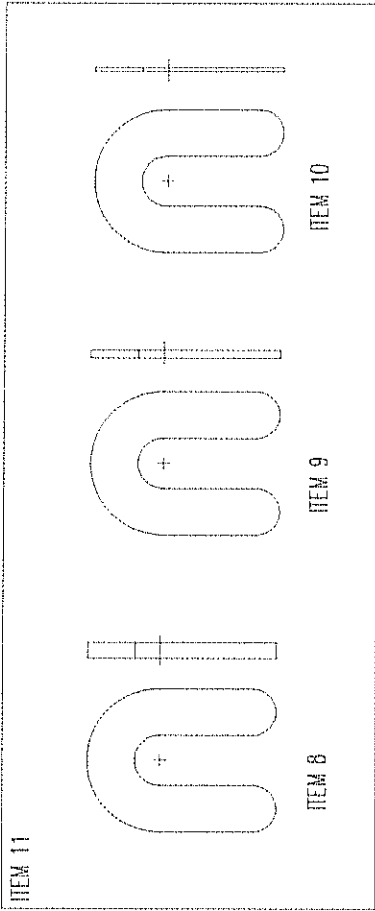
BAG #1/ SMALL PARTS (007-010-014)



MAN131

REV A 10/01

BAG #2/ SHIMS (007-007-075)



MOHAWK MODEL A-7

ITEMS 1 THRU 7 = BAG #1/SMALL PARTS
 ITEMS 8 THRU 11 = BAG #2/SHIMS

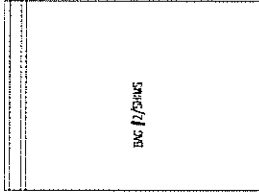
IDP	PART NUMBER	DESCRIPTION	QTY
12	600-710-006	WASHER, FLAT (LENGTH) 5/16 IN. x 1 1/2 IN.	4
11	601-600-002	BAG, ZIP-LOCK, TRANSPARENT, 9" x 12"	2
10	600-740-001	SHIM, NONSCALABLE, PLASTIC, BLUE, 1/16" THK	6
9	600-740-002	SHIM, NONSCALABLE, PLASTIC, RED, 1/8" THK	6
8	600-740-003	SHIM, NONSCALABLE, PLASTIC, BLACK, 1/4" THK	6
7	600-710-014	WASHER, FLAT, 1 3/8 IN.	4
6	601-420-011	WASHER, 1/8 IN. TO 1/8 IN.	4
5	601-310-005	BREATHER CAP	1
4	601-710-001	DOUBLE LINC CAP	4
3	600-640-019	ROLL 1/4"-20 NC x 1 1/2, HEX HEAD CAP	6
2	600-600-005	NUT, LOCK, 1/4"-20 NC	6
1	600-710-004	WASHER, FLAT, 1/4"	4

BAG #1/SMALL PARTS & BAG #2/SHIMS

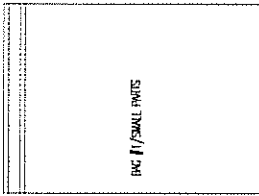
FILE: MAN131
 DATE: 7/98

MOHAWK MODEL A-1

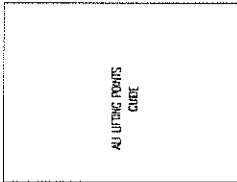
MAN132
REV A 7/99



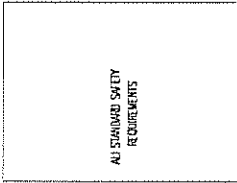
ITEM 21



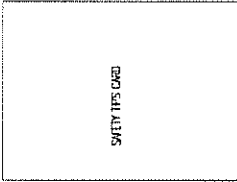
ITEM 10



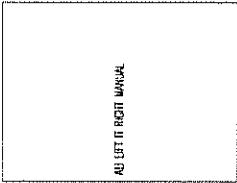
ITEM 17



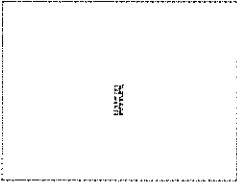
ITEM 16



ITEM 15



ITEM 14



ITEM 2



ITEM 3



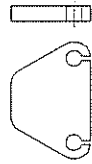
ITEM 4



ITEM 5



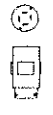
ITEM 6



ITEM 13



ITEM 8



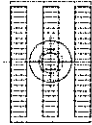
ITEM 11



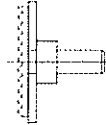
ITEM 20



ITEM 9



ITEM 7



ITEM 7

PROCESSED BY 012.7

71	607-001-015	BAG 17/SHIMS	1
70	607-001-015	NUT, LOCK, 1 1/2-12 AF (A4)	4
19	601-001-106	WASHER, A-7	1
18	601-001-115	WASHER, A-7	1
17	601-001-007	ALL LIFTING POINTS GUIDE	1
16	601-001-007	ALL LIFTING POINTS GUIDE	1
15	601-001-016	ALL STANDARD SAFETY REQUIREMENTS	1
14	601-001-003	SAFETY TIPS CARD	1
13	607-001-011	SAFETY MANUAL, ALL LIFT & RECH	1
12	607-001-011	SAFETY MANUAL, ALL LIFT & RECH	1
11	601-001-008	CONNECTION, 4 PINS, NEW J114-208	14
10	607-001-014	BAG 17/SMALL PARTS	1
9	025-002-172	RECHT ADAPTER, B	4
8	025-002-172	RECHT ADAPTER, B	4
7	007-001-016	LIFTING PIN W/SHIM	4
6	007-001-016	LIFTING PIN W/SHIM	4
5	025-002-174	RECHT ADAPTER (BAGKIT)	2
4	601-001-001	PART, SPRAY, RED	1
3	601-001-002	PART, SPRAY, YELLOW	1
2	601-001-015	MANUAL, ASSEMBLY	1
1	601-001-000	DOC, CONSTRUCTION	1
ITEM	ITEM NUMBER	DESCRIPTION	QTY

A-7A PARTS BOX & CONTENTS

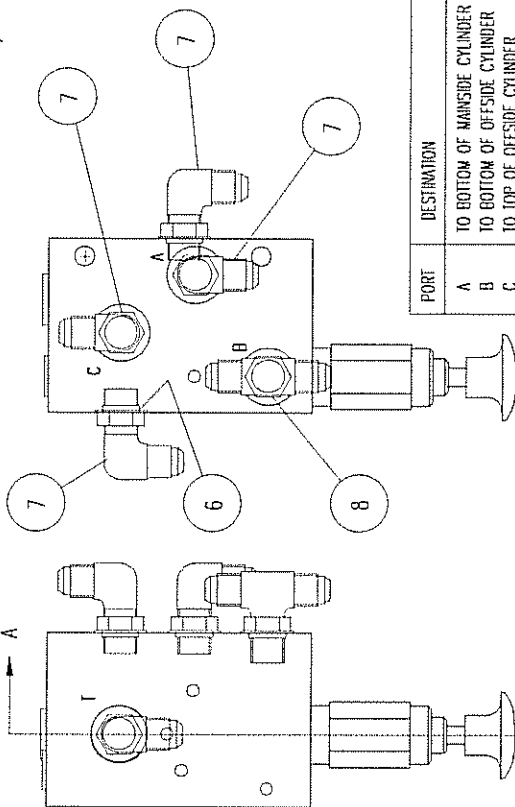
FILE: MAN132
DATE: 7/99

MOHAWK MODEL A-1

MAN235

REV A 1/98

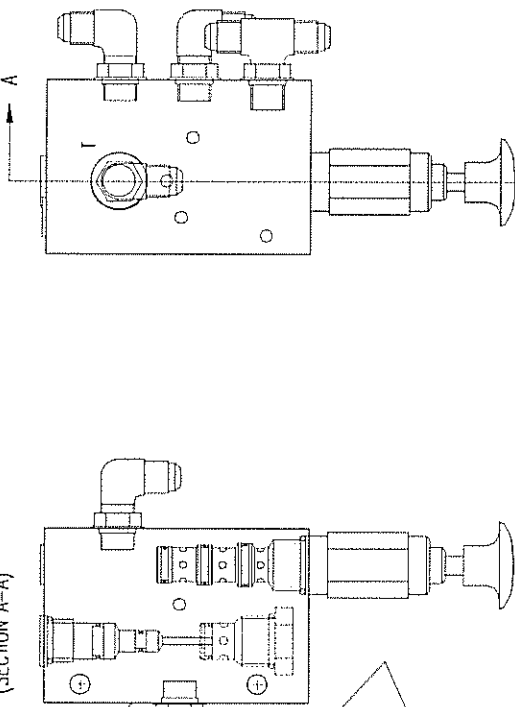
BACK VIEW:



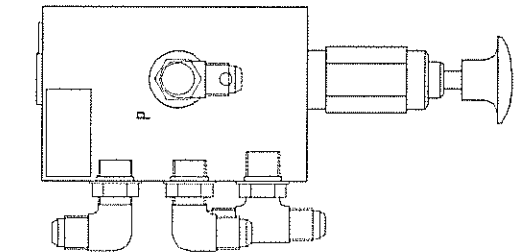
PORT	DESTINATION
A	TO BOTTOM OF MAINSIDE CYLINDER
B	TO BOTTOM OF OFFSIDE CYLINDER
C	TO TOP OF OFFSIDE CYLINDER
P	TO PUMP PRESSURE PORT
T	TO TANK (RESERVOIR)

RIGHT SIDE VIEW:

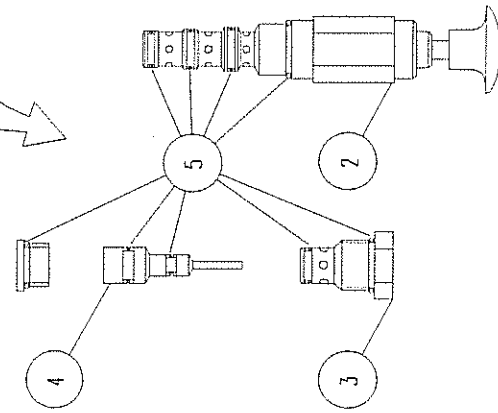
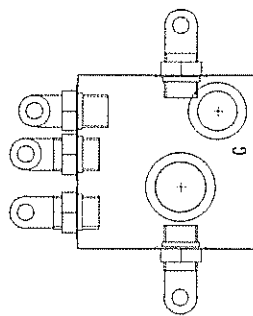
FRONT VIEW:
(SECTION A-A)



LEFT SIDE VIEW:



TOP VIEW:

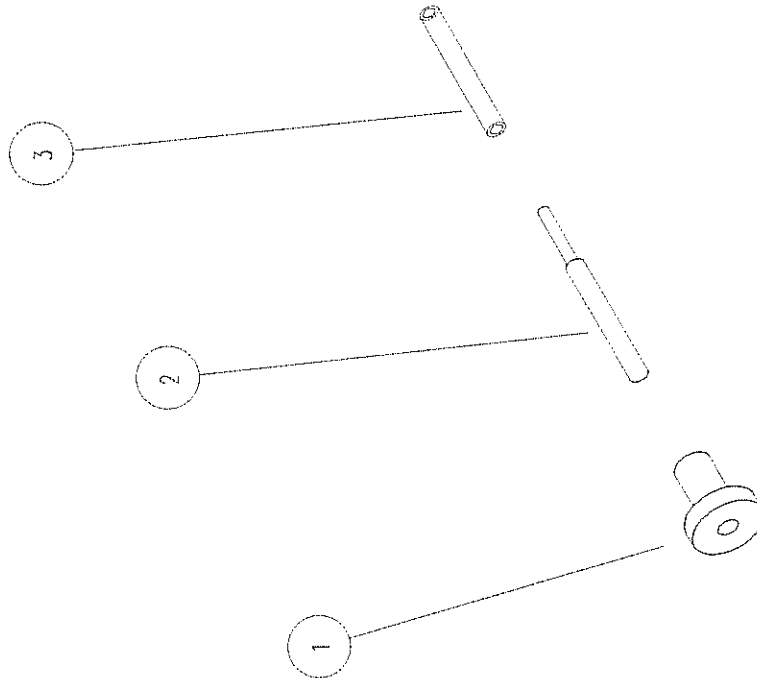
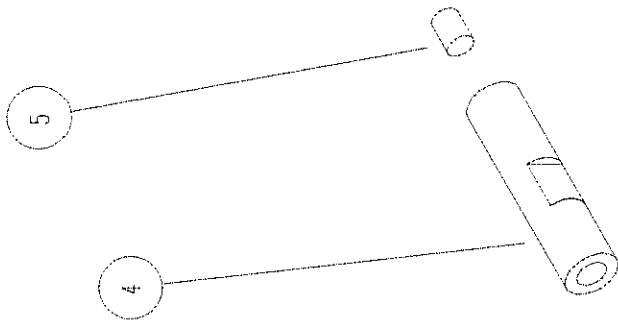


ITEM	PART NUMBER	DESCRIPTION	QTY
8	601-420-046	FITTING, TEE BRANCH, #6 JIC/ #6 JIC/ #6 ORB	1
7	601-420-017	FITTING, ELBOW, 90, #6 ORB TO #6 JIC	4
6	601-030-017	O-RING	5
5	212239ASK	SEAL REPAIR KIT	1
4	2R2247AA	PILOT PISTON ASSY	1
3	CV10-20-0-N-05	CHECK VALVE	1
2	MP10-42K-0-N	MANUAL PULL VALVE	1
1	601-410-030	DIVERTER VALVE	1

DIVERTER VALVE ASSEMBLY

FILE: MAN235
DATE: 4/96

MAN233



ONE (1) PLUNGER ASSEMBLY PER CARRIAGE
 FOR SYSTEM 1A, SEE MAN222 FOR ASSEMBLY
 FOR A-7A, SEE MAN122 FOR ASSEMBLY

ITEM	PART NUMBER	DESCRIPTION	QTY	REF
5	600-630-001	SET SCREW, 3/8-16 NC x 1/2"	(1)	REF
4	009-010-126	PLUNGER HOUSING	(1)	REF
3	600-840-019	SPRING	(1)	REF
2	009-010-124	PLUNGER	(1)	REF
1	009-010-125	PLUNGER HOUSING CAP	(1)	REF
ITEM	PART NUMBER	DESCRIPTION	QTY	REF

SPRING PLUNGER ASSEMBLY
 (009-010-066)

FILE: MAN233
 DATE 4/96