

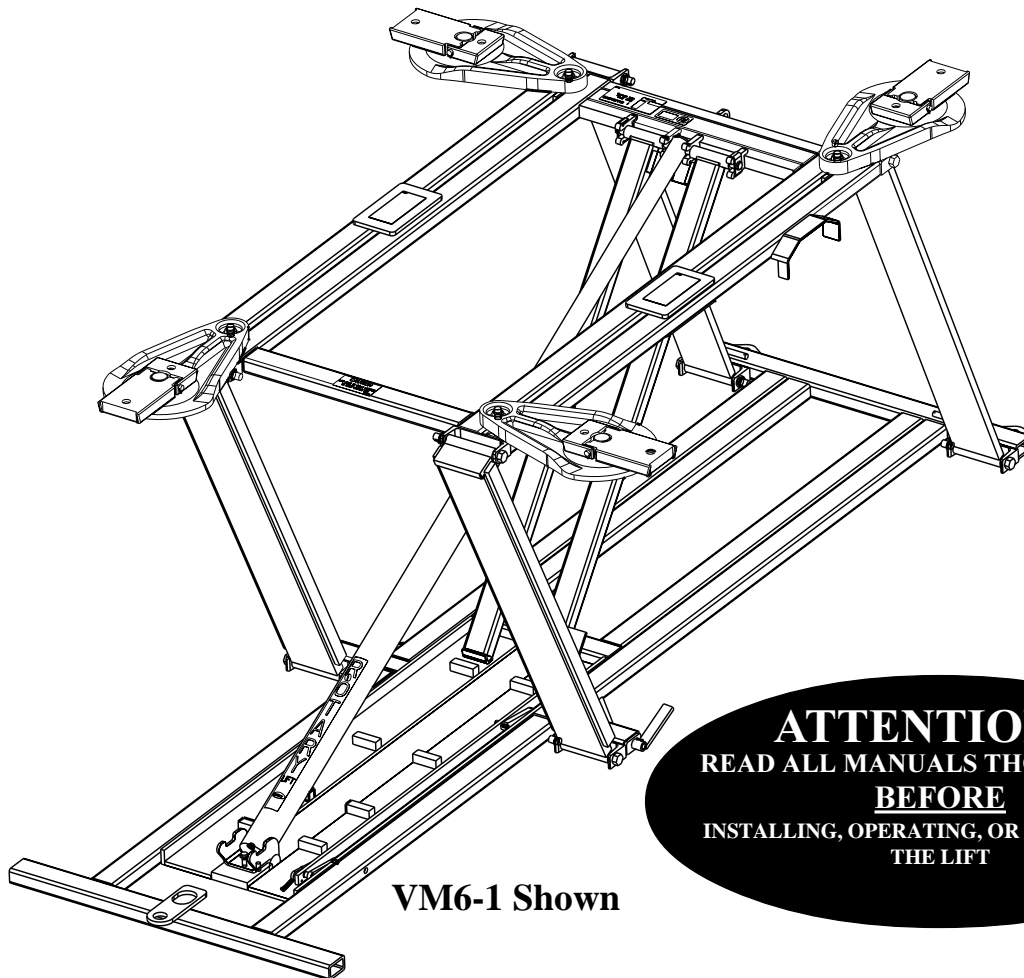


World Leader in Lift Systems

Models:  
VM6-1, VMP6-1,  
VMP6-1A, VM6-3

Capacity 6,000 lbs.  
(Maximum 1,500 lbs. per adapter)

M  
I  
D  
R  
I  
S  
E  
  
L  
I  
F  
T



VM6-1 Shown

**ATTENTION!!!**  
READ ALL MANUALS THOROUGHLY  
BEFORE  
INSTALLING, OPERATING, OR MAINTAINING  
THE LIFT

# PARTS BREAKDOWN

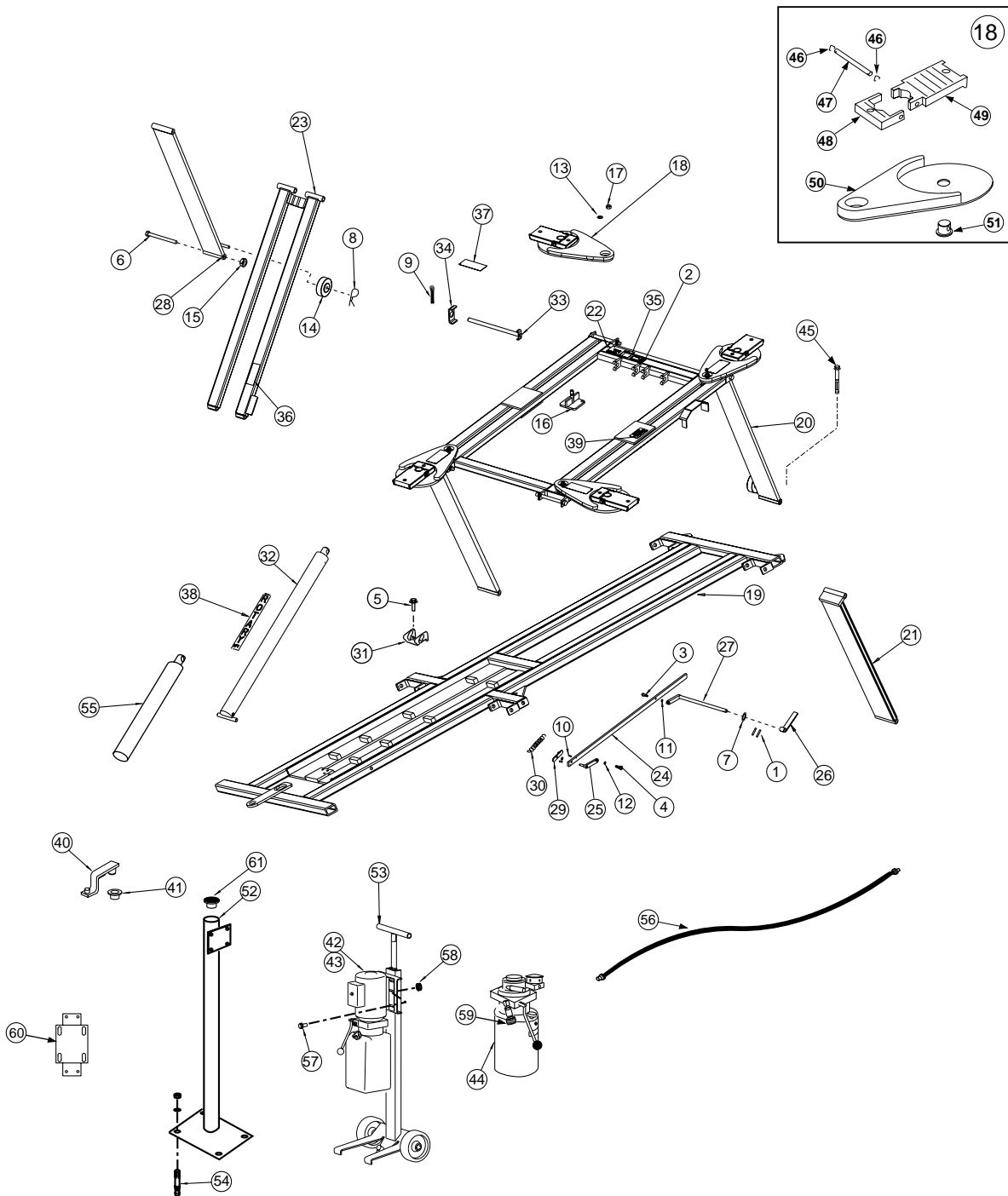
**IMPORTANT:** When ordering parts always give exact model and power unit serial number. Model number is shown on nameplate attached to center member of superstructure. Serial number is located on side of power unit reservoir.

Complete information at right and keep in a safe place.

## OWNER'S RECORD

Date Installed \_\_\_\_\_  
Installed in Bay # \_\_\_\_\_  
Power Unit Serial # \_\_\_\_\_  
Factory Order # \_\_\_\_\_

PART OF LITERATURE PACKAGE LP30037



**VM6-1, VMP6-1, VMP6-1A, VM6-3 REPLACEMENT PARTS ONLY\*\***

ITEM NO.	DESCRIPTION	PART NO.	ITEM NO.	DESCRIPTION	PART NO.	
1	Spirol Roll Pin	14404	33	Pin Weldment	FJ862	
2	ALI Member Nameplate	14599	34	Retainer	FJ863	
3	3/8" Shoulder Bolt	40170	35	Foot Warning Decal	NP253	
4	1/2" Shoulder Bolt	40172	36	Locking Leg Decal	NP378	
5	3/8" x 1" Whiz-Lock Bolt	40144	37	Adapter Name Plate	NP387	
6	5/8" x 7" UNC Grade 8 HHCS	40358	38	Rotary Decal	NP412	
7	5/8" Plastic Washer	40802	39	Locking Leg Warning Decal	NP461	
8	1 15/16" x 1/8" dia. Hair Pin Cotter	41170	40	Jack Bar	FJ2277	
9	1/8" x 1 1/4" Cotter Pin	41201	41	Sleeve	FJ2277-5	
10	5/32" dia. x 3/8" Spirol Roll Pin	41605	42	230V Electric Power Unit (VM6)	P838	
11	5/16" Narrow Rim Nylon Washer	41607	43	115V Electric Mobile Power Unit (VMP6)	P840	
12	3/8" Narrow Rim Nylon Washer	41608	44	Air Power Unit (VMP6A)	P836	
13	Machinery Bushing Washer	FJ2252-4	45	5/8" Concrete Anchor	FC5228	
14	Wheel	FJ2271-1	46	3/32" Hog Ring	FJ671-6	
15	Nut	FJ2298-8	47	Adapter Pin	FJ671-3	
16	Arm Retainer	FJ2372	48	Low Step Adapter	FJ671-2	
17	5/8"-18 Stover Lock Nut	FJ2375	49	High Step Adapter	FJ671-1	
18	Swivel Arm Ass'y.	FJ2379	50	Swivel Arm / Adapter Base	*	
19	Base Assembly	FJ2461	51	Adapter Swivel Pin	FJ79- 6	
20	Right Rear Leg Weldment	FJ2395	52	Vertical Stand	FJ864	
21	Front Leg Weldment	FJ2463	53	Portable Stand	FJ2410	
22	Top Structure	FJ2397	54	3/8" Concrete Anchor	FJ5388-98	
23	Locking Leg Weldment	FJ2398	55	Optional Cylinder Cover	FJ2354	
24	Unlocking bar	FJ2399	56	Hose	VM6	FJ85
25	Pivot Bar Weldment	FJ2400			VMP6, VMP6A	FJ851
26	Pedal Weldment	FJ2401	57	5/16" x 3/4" Bolt	40224	
27	Actuator Arm Weldment	FJ2402	58	5/16" Lock Nut	40678	
28	Left Rear Leg Weldment	FJ2415	59	Female Coupler Half (VMP6,VMP6A)	FJ850	
29	Stop Weldment	FJ2417	60	P/U Wall Mount Bracket (VM6-3)	T120020	
30	Release Spring	FJ2420	61	Power Unit Stand Cap	FJ2467	
31	Cylinder Clip	FJ2293-1				
32	Hydraulic Cylinder	FJ860				

\* Note: If adapter base needs replacing, it is more economical to replace the entire adapter.

\*\* Note: Not all VM6-1 parts are interchangeable with VM6.

# Attention Installer:

Please return this booklet to literature package and give to lift owner/operator.

**Trained Operators and Regular Maintenance Ensures  
Satisfactory Performance of Your Rotary Lift.**

**Contact Your Nearest Authorized Rotary Parts Distributor for Genuine Rotary  
Replacement Parts. See Literature Package for Parts Breakdown.**



World Headquarters:

**ROTARY LIFT**

A DOVER INDUSTRIES COMPANY  
2700 Lanier Drive  
Madison, IN 47250-1753 USA  
Phone toll-free: 1-800-445-5438  
Phone: (812) 273-1622  
Fax toll-free: 1-800-822-6502  
Fax: (812) 273-6502  
E-mail: [userlink@rotarylif.com](mailto:userlink@rotarylif.com)  
Web site: [www.rotarylif.com](http://www.rotarylif.com)

For Canada:

**DOVER CORP. (CANADA) LTD.  
ROTARY LIFT DIVISION**  
130 Bridgeland Avenue Unit 210  
Toronto, Ontario M6A 1Z4  
Phone: (416) 256-4100  
Fax: (416) 256-3924

For United Kingdom & Republic of Ireland:

**ROTARY LIFT (UK) LIMITED**  
Madison House  
2 Park Road  
Dartford, Kent  
DA1 1SL  
Phone: +44 (0) 1322 223323  
Fax: +44 (0) 1322 222454

For Europe:

**ROTARY LIFT EUROPE**  
Berlinger Ring 163 B  
D-64625 Bensheim  
Phone: +49 (0) 6251 787037  
Fax: +49 (0) 6251 787038