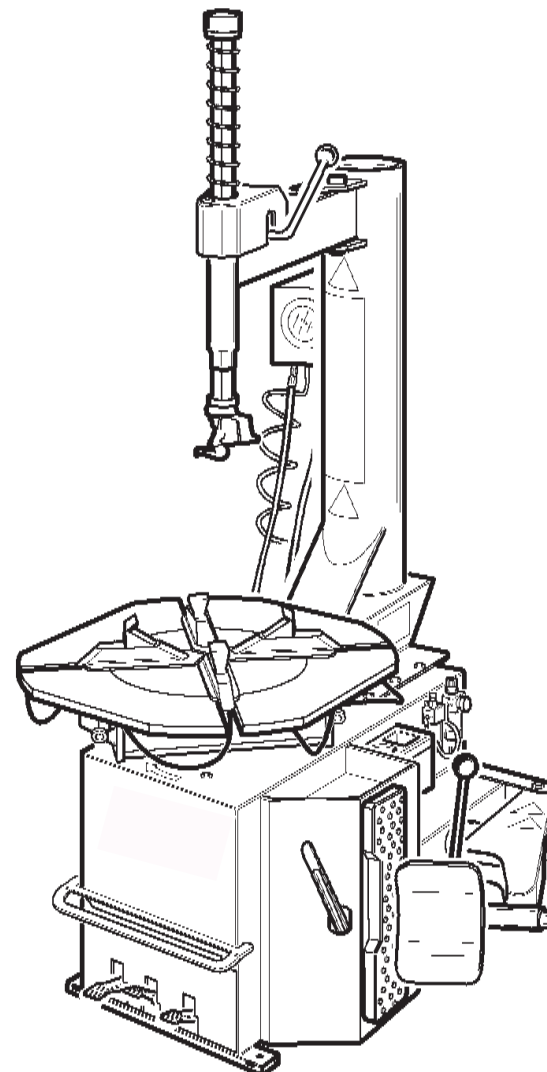
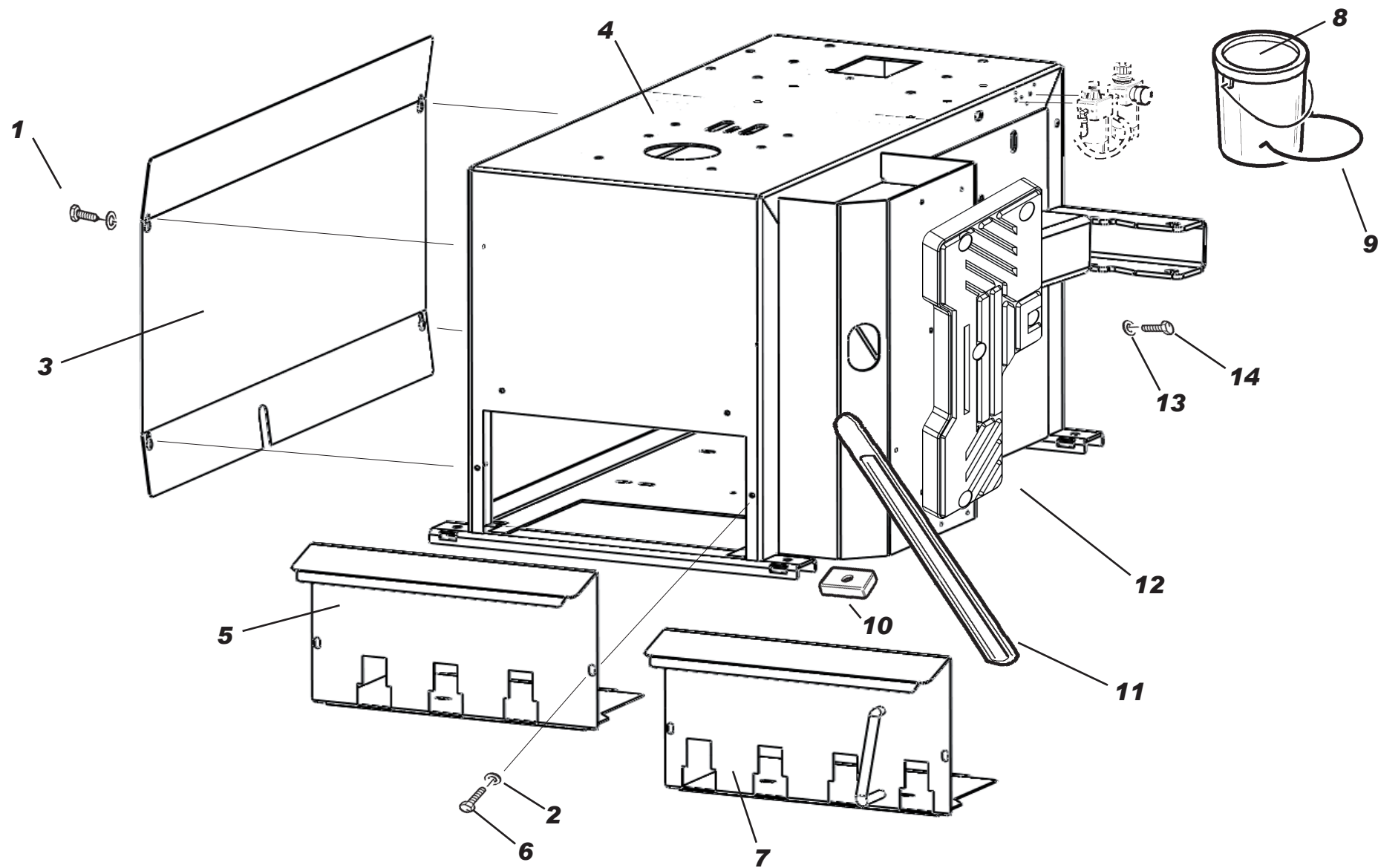
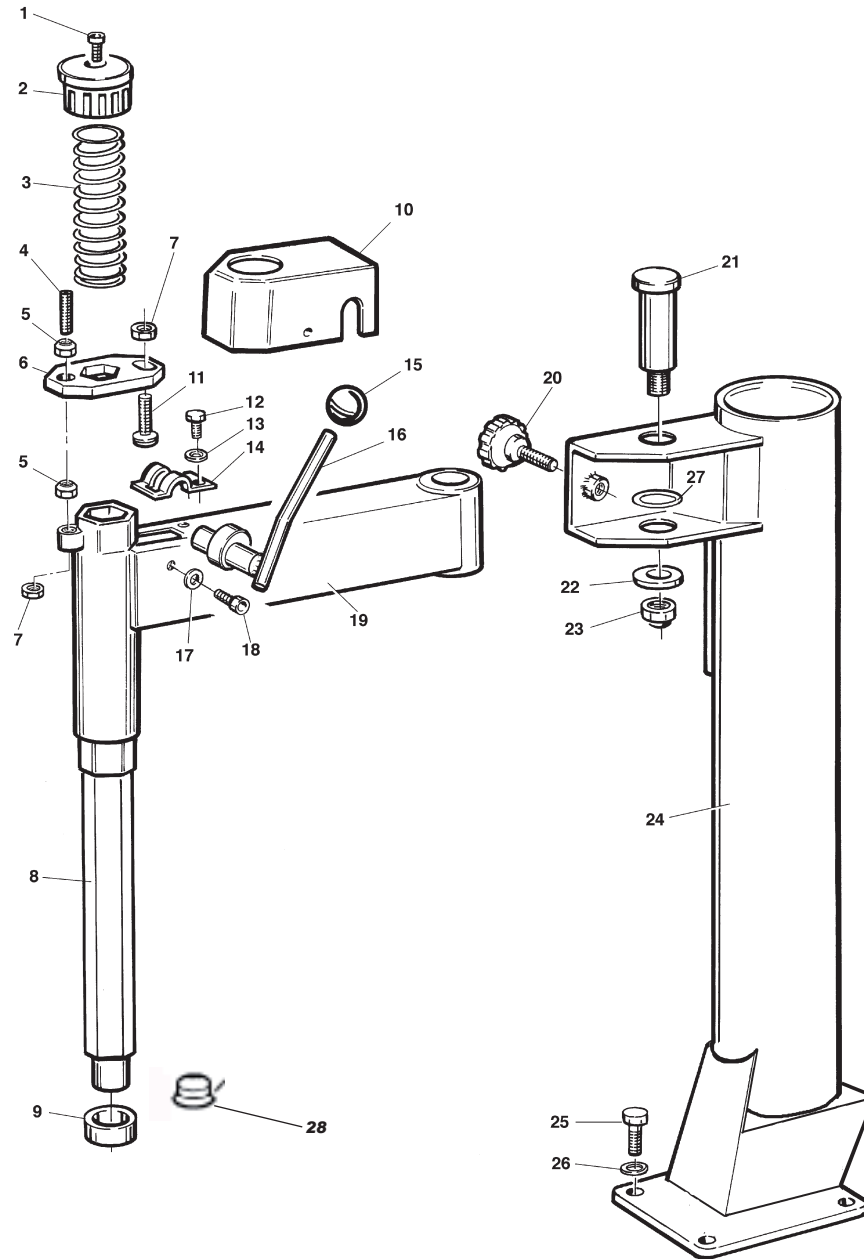


SM 825

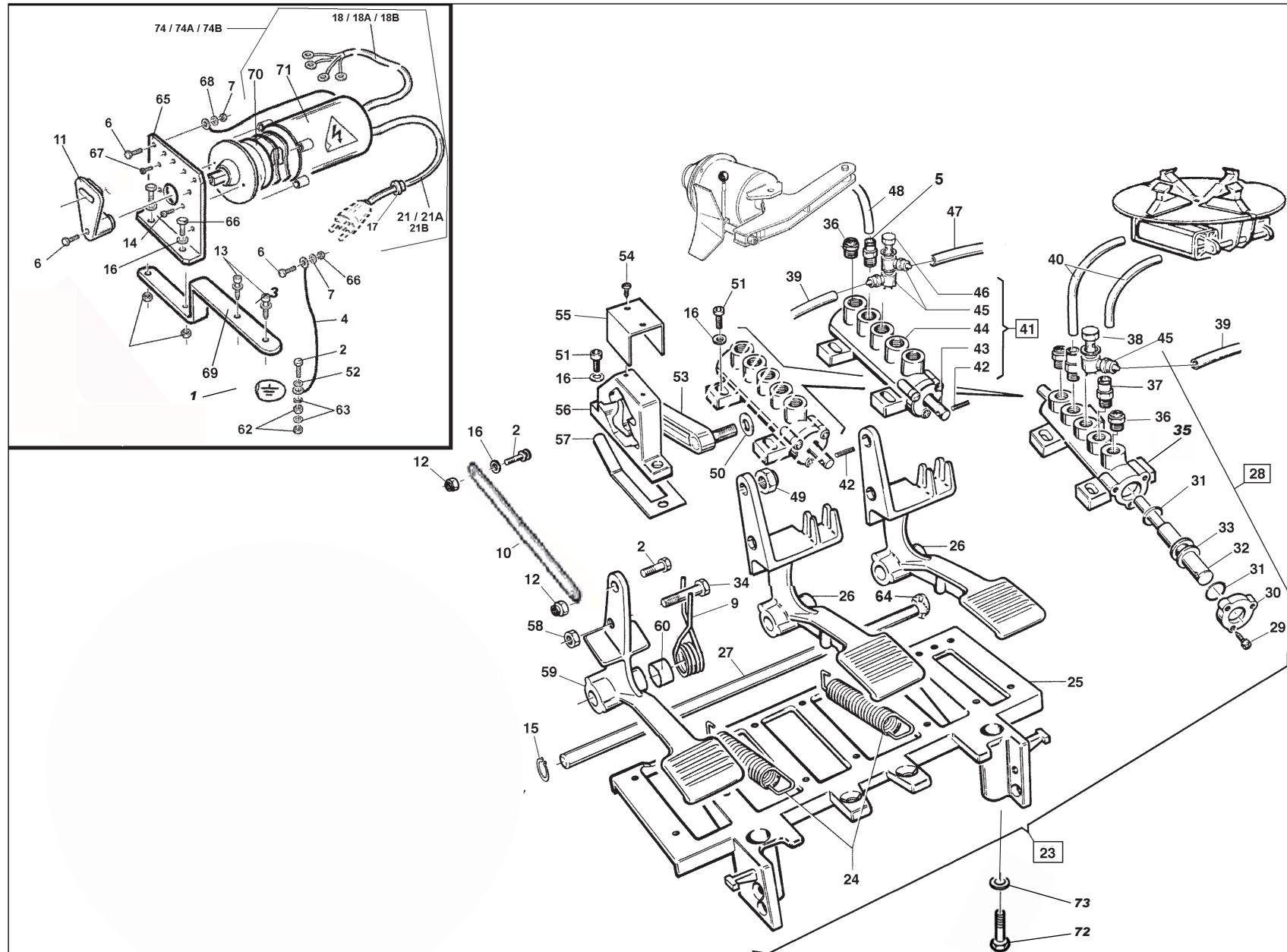




ref	code	Descrizione	Description	Description UK	Beschreibung DM
1	4393749	VITE FLANG. TCEI 6X20 ZNT			
2	4399998	RONDELLA 6 (6,4x12x1,6)	RONDELLE 6 (6,4x12x1,6)	WASHER 6 (6,4x12x1,6)	BEILAGSSCHEIBE 6 (6,4x12x1,6)
3	T6231352	COPERCHIO LAT. GT	COUVERTURE LATERALE	SIDE COVER	SEITENABDECKUNG
4	T6231285	CARCASSA	BATI	SHELL	RAHMEN
5	T6631351	SUPP. PEDALIERA 3 PEDALI	SUPPORT PEDALES	PEDAL SUPPORT	PEDALTRAEGER
6	4398723	VITE TE 6x12 8.8 5739	VIS 6x12	SCREW 6x12	SCHRAUBE 6x12
7	T6631349	SUPP.PEDALIERA 4 PEDALI	SUPPORT PEDALES	PEDAL SUPPORT	PEDALTRAEGER
8	4399984	SECCHIELLO GRASSO	CUVE DE GRAISSE	GREASE CUP	SCHMIERBEHAELTER
9	T3000069	MOLLA ANELLO PER SECCHIELLO	RESSORT	SPRING	FEDER
10	T3002099	PIEDE IN PLASTICA PER CARCASSA	PIED EN PLASTIQUE	PLASTIC FOOT	PLASTIKFUSS
11	T3006970	LEVA ALZATALLONI TIPO C	LEVIER DECOLLE-TALONS	BEAD LIFTING LEVER	WULSTABDRUECKHEBEL
12	T3032880	APPOGGIO RUOTA INTEGRALE	APPUI ROUE	WHEEL SUPPORT	RADHALTER
13	4398848	RONDELLA 6 (6,6x18x1,5)ZNT6593	RONDELLE 6 (6,6x18x1,5)	WASHER 6 (6,6x18x1,5)	BEILAGSSCHEIBE 6 (6,6x18x1,5)
14	4399999	VITE TCEI M 6x25	VIS 6x25	SCREW 6x25	SCHRAUBE 6x25



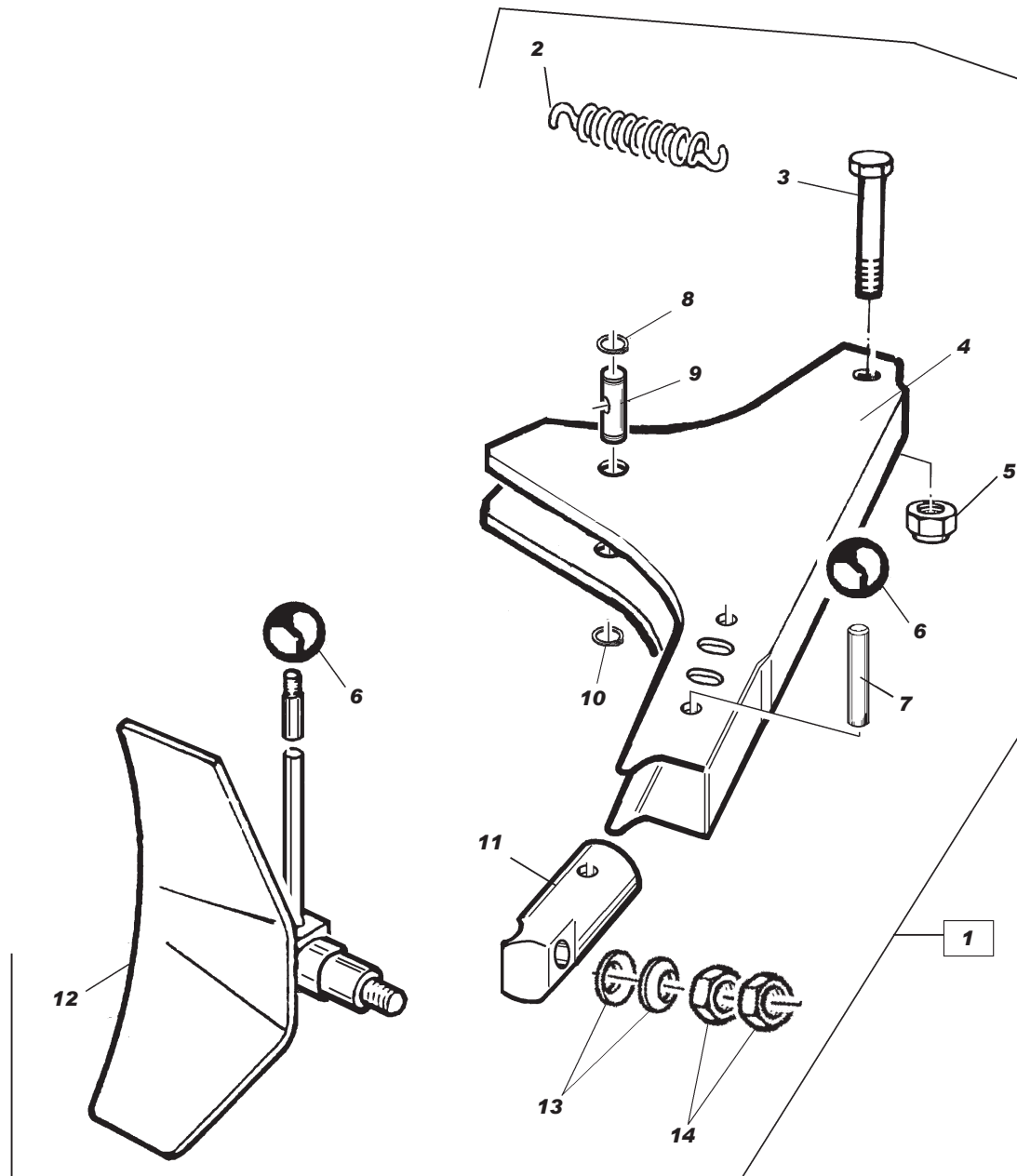
Ref	Codart	Descrizione	Description	Description	Beschreibung
1	4399134	VITE TCEI M 8x30 8.8 5931	VIS M8x30 8.8	SCREW 8x30 8.8	SCHRAUBE 8x30 8.8
2	T3001759	POMOLO BRACCIO OPERANTE	POMMEAU BRAS OPERATEUR	OPERATING ARM KNOB	KUGELGRIFF
3	T3005407	MOLLA COMPR.BO 41 MAXI-ZNT	RESSORT	SPRING	DRUCKFEDER
4	4397964	VITE STEI 10x80 P.CIL. 5925	VIS 10x80 UNI 5925	SCREW 10x80	SCHRAUBE 10x80
5	4399971	DADO AUTOBL.M10 BASSO.6S. 7474	ECROU A' BLOCAGE AUTOMAT.	SELF-LOCKING NUT M10	SELBSTSICHERNDE MUTTER M10
6	T3002366	PIASTRA BL.BO ES.41 MAXI-BRUN.	PLAQUE DE BLOCAGE	ARM LOCKING PLATE	FIXIERSCHEIBE
7	4399967	DADO M10 6S BASSO ZNT 5589	ECROU M10	NUT M10	MUTTER M10
8	T3002365	BRACCIO OP. ES.41 L=777 MAXI	BARRE DE MONTAGE RACING E.41	OPERATING ARM L=777	BEDIENUNGSARM L=777
9	T3002601	AMMORTIZ. TORRETTA ES.41	AMORTISSEUR OUTIL DE MONTAGE	MOUNTING TOOL SHOCK ABSO.	MONTIERWERKZEUGSTOSSDAEMPFER
10	T3006662	CARENATURA PALO ORIZZONTALE	COUVERTURE EN ABS	HORIZONTAL ARM ABS COVER	ARMVERKLEIDUNG
11	4398900	VITE OTTONE TE M10x25 5739	VIS EN LAITON M10X25	BRASS SCREW 10x25	MESSINGSCHRAUBE 10x25
12	4399946	VITE TE 8x16 8.8 5739	VIS M8x16 8.8	SCREW M8x16 8.8	SCHRAUBE M8x16 8.8
13	4399829	RONDELLA 8 (8,4x16x1,5)ZNT6592	RONDELLE 8 (8,4X16X1,5)	WASHER 8 (8,4x16x1,5)	SCHEIBE 8 (8,4x16x1,5)
14	T3033490	PIASTRA FULCRO L.DI BLOC.BRUN.	PLAQUE D'APPUI	FULCRUM PLATE	STUETZPUNKTPLATTE
15	4299952	POMOLO D.14	POIGNEE D.14	KNOB D.14	KUGELGRIFF D.14
16	T2106664	LEVA BLOCC. B.O. -ZNT BIANCO	LEVIER BLOCAGE BRAS OPERATEUR	LOCKING LEVER	ARMSPERRHEBEL
17	4399998	RONDELLA 6 (6,4x12x1,6)ZNT6592	RONDELLE 6 (6,4x12x1,6)	WASHER 6 (6,4x12x1,6)	SCHEIBE 6 (6,4x12x1,6)
18	4398723	VITE TE 6x12 8.8 5739	VIS TE 6x12 8.8	SCREW 6x12 8.8	SCHRAUBE 6x12 8.8
19	T6231712	PALO ORIZZONTALE	BRAS HORIZONTAL	HORIZONTAL ARM	WAAGERECHTER ARM
20	T3000487	VOLANTINO M16 V1/70/V-M16X100	PETIT VOLANT M16	HANDWHEEL M16	HANDRAD M16
21	T3000078	PERNO SNODO PALO ORIZZONTALE	AXE D'ARTICULATION BRAS HORIZ.	HORIZONTAL ARM PIN	DREHZAPFEN
22	T3000079	RONDELLA D.51X16X8	RONDELLE D.51x16x8	WASHER D.51x16x8	SCHEIBE D.51x16x8
23	4399963	DADO AUTOBL.M16 BASSO.6S. 7474	ECROU A' BLOCAGE AUTOM. M16	SELF-LOCKING NUT M16	SELBSTSICHERNDE MUTTER M16
24	T6231353	PALO VERTICALE	BRAS VERTICAL	VERTICAL ARM RACING	VERTIKALSTANGE
25	4399877	VITE TE 10x60 8.8 P.F. 5737	VIS	SCREW 10x60 8.8	SCHRAUBE 10x60 8.8
26	4398633	RONDELLA 10 (10,5x21x2)ZNT6592	RONDELLE D.10 (10,5x21x2)	WASHER D.10 (10,5x21x2)	BEILAGSSCHEIBE 10 (10,5x21x2)
27	4399962	RASAMENTO ACCIAIO 65X40X0,5	ENTRETOISE 65x40x0,5	SHIM ADJUSTMENT 65x40X0,5	AUSGLEICHRING 65x40x0,5
28	T3017974	COPERCHIO ANELLO AMMORTIZ. ES.41	COUVERCLE BAGUE AMORTISSEUR	SHOCK ABSORB. RING COVER	STOSSDAEMPFERRINGDECKEL



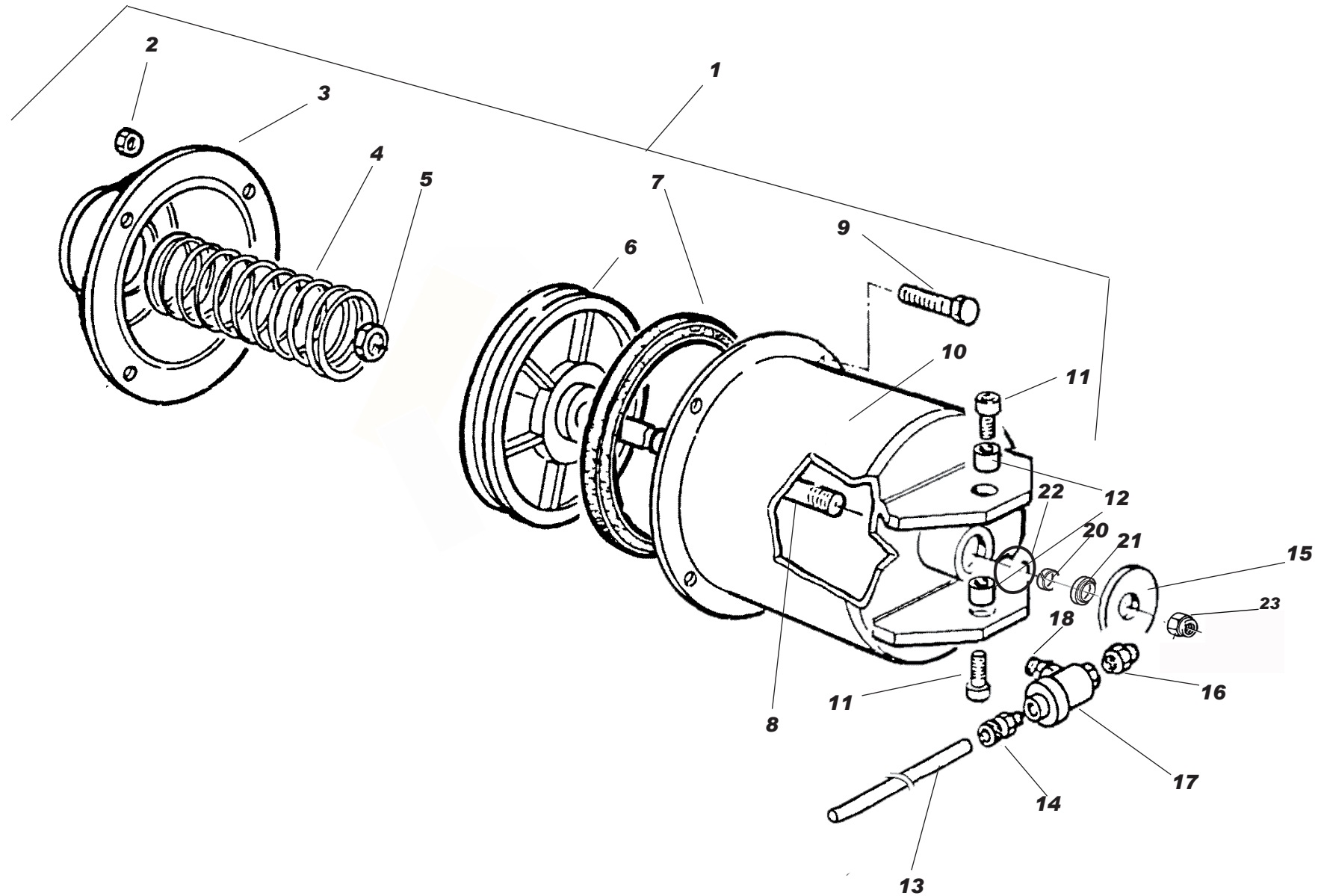
1	3005604	DECALCO BOLLINO PE 27552 BSO	DECALCOMANIE	STICKER	ABZIEHBILD
2	4399892	VITE TE 6x20 8.8 5739	VIS M6x20 - 8.8	SCREW M6x20 - 8.8	SCHRAUBE M6x20 - 8.8
3	4398848	RONDELLA 6 (6,6x18x1,5)ZNT6593	RONDELLE 6 (6,6x18x1,5)	WASHER 6 (6,6x18x1,5)	SCHEIBE 6 (6,6x18x1,5)
4	T2006040	CAVETTO TERRA SMTG AUTO L=340	CABLE DE TERRE	GROUND CABLE L=340	MASSEDRAHT L=340
5	4198298	RACCORDO S6510 1/4"-6 S.R.	QUICK UNION 1/4"	RACCORD RAPIDE 1/4"	SCHNELLANSCHLUSS 1/4"
6	4399905	VITE TE 4x12 8.8 5739	VIS M4x12 - 8.8	SCREW M4x12 8.8	SCHRAUBE M4x12 8.8
7	4399996	DADO M 4 6S ALTO ZNT 5587	ECROU M4 6S	NUT M4 6S	MUTTER M4 6S
9	T3000142	MOLLA COMANDO PEDALE	RESSORT COMMANDE PEDALE	PEDAL CONTROL SPRING	FEDER
10	T3015341	BIELLA COM.INVERT.-ZNT	BIELLE	CONNECTING ROD	PLEUELSTANGE
11	3000175	LEVA INVERTITORE	LEVIER D'INVERSEUR	REVERSER LEVER	WECHSLERHEBEL
12	4399893	DADO AUTOBL.M 6 BASSO.6S. 7474	ECROU A' BLOCAGE AUTOM. M6	SELF-LOCKING NUT M6	SELBSTSICHERNDE MUTTER M6
13	4398273	VITE AUTOF. TCEI 5,5x19	VIS AUTOTARADEUSE TCEI 5,5x19	SELF-TAPPING SCREW 5,5x19	BLECHSCHRAUBE 5,5x19
14	4399044	VITE TCEI M 3x12 12.9 5931	VIS 3x12 12,9	SCREW 3x12 12,9	SCHRAUBE 3x12 12.9
15	4399864	ANELLO SEEGER E D.12 7435	BAGUE SEEGER D.12	SEEGER RING D.12	SEEGER-RING D.12
16	4399998	RONDELLA 6 (6,4x12x1,6)ZNT6592	RONDELLE 6 (6,4x12x1,6)	WASHER 6 (6,4x12x1,6)	SCHEIBE 6 (6,4x12x1,6)
17	4599986	BLOCCAPASSAC.RETT.D.9 SB7 R/3	ARRET DE PASSE-CABLE D.9	CABLE HOLDER D.9	KABELDURCHGANG/SPERRE D.9
18	T2001171	CAVO COLL.MOT.-INV. 3PH L=760	CABLE DE CONNEXION L=1500	CONNECTING CABLE L=1500	VERBINDUNGSKABEL L=1500
18 A	T2033815	CAVO COLL.MOT.-INV. 1PH L=1000	CABLE CONNEX. MOTEUR-INVERSEUR	CONNECTING CABLE	VERBINDUNGSKABEL
18 B	T2000525	CAVO COLL.MOT.-INV. 1PH L=750	CABLE DE CONNEXION	CONNECTING CABLE	VERBINDUNGSKABEL
21	T2001512	CAVO ALIMENT. 3PH L=3110	CABLE ALIMENTATION 3PH	3PH FEEDING CABLE	3PH - SPEISEKABEL
21 A	T4596081	CAVO ALIMENT. 1PH L=3255	CABLE D'ALIMENTATION 1 PH	1PH FEEDING CABLE	EINPHASIGER SPEISEKABEL
21 B	T2000526	CAVO ALIMENT. 1PH L=3600	CABLE D'ALIMENTATION 1 PH	1PH FEEDING CABLE	EINPHASIGER SPEISEKABEL
23	T2002356	PEDALIERA SEMIAUT. D.8 LEGA	PEDALIER	PEDAL CONTROL UNIT	PEDALEINHEIT
24	T3013333	MOLLA RICH.PEDALE W. NEW	RESSORT RAPPELLE-PEDALE	PEDAL RETURN SPRING	PEDALRUECKZUGFEDER
25	T3002161	BASAMENTO PEDALIERA	BASE DU PEDALIER	PEDAL BOX BASE	PEDALSITZ
26	T3002159	PEDALE COM. AUTOC./STALL. ALL.	PEDALE DE COMMANDE	PEDAL	ZENTRIERTISCHPEDAL
27	T3003094	PERNO ALLINEAMENTO PED.L.278,5	AXE ALIGNEM. PEDALES L=280	PEDALS ALIGNMENT PIN L=280	STIFT L=278,5
28	T2033238	GR.VALVOLA AUTOC.SEMIAUT.LINEA	SOUPAPE	VALVE UNIT	VENTIL
29	4398999	VITE AUTOF. TCIC 3,5x13 6954	VIS AUTOTARADEUSE 3,5x13	SELF-TAPPING SCREW 3,5x13	BLECHSCHRAUBE 3,5x13

30	3001585	FLANGIA X VALVOLA 3001583	BRIDE POUR SOUPAPE 3001583	FLANGE for VALVE 3001583	FLANSCH
31	4299000	ANELLO OR 9,8x3,85	JOINT OR 9,8x3,85	O-RING 9,8x3,85	O-RING 9,8x3,85
32	3002442	PERNO X VALVOLA GRIFFE/RIBALT.	AXE	VALVE PIN	STIFT
33	3001584	DISTANZIALE X VALVOLA 3001583	ENTRETOISE	SPACER FOR VALVE 3001583	ABSTANDSSTUECK
34	4397649	VITE TE 6x50 8.8 PF ZNT 5737	VIS TE 6x50 8.8	SCREW 6x50 8.8	SCHRAUBE 6x50 8.8
35	3001583	VALVOLA DISTRIB.-SENZA CHIAVET	SOUPAPE DISTRIBUTION	DISTRIBUTION VALVE	VENTIL
36	4199843	REGOL.SCAR.SILENZ.SVE 1/8"	REGLAGE SILENCIEUX 1/8"	SILENCER OUTLET ADJUSTER 1/8"	ABLASSAUSTEILER 1/8"
37	4198954	RACCORDO 6510 1/8"-8 S.RAPIDO	RACCORD RAPIDE 6510 1/8"-8	QUICK UNION 6510 1/8"-8	SCHNELLANSCHLUSS 6510 1/8"-8
38	4199929	RACCORDO 1631-01 1/8"	RACCORD 1/8"	UNION 1/8"	ANSCHLUSS 1/8"
39	T3002446	TUBO RILSAN D. 8X6 L=100	TUYAU RILSAN D.8/6 L=100	RILSAN HOSE D.8/6 L=100	SCHLAUCH D.8x6 L=100
40	T3099335	TUBO RILSAN D. 8X6 L=750	TUYAU RILSAN D.8x6 L=740	RILSAN HOSE D.8x6 L=750	SCHLAUCH D.8x6 L=750
41	T2033237	GR.VALVOLA STALLONATORE S. E.	SOUPAPE	VALVE UNIT	VENTIL
42	4398783	SPINA ELASTICA D.4x24 6874	GOUPILLE D.4x24	SPRING PIN D.4x24	FEDERSTIFT D.4x24
43	3002443	PERNO X VALVOLA PEDALE STALL.	AXE	PIN	STIFT
44	T2002444	GR.VALVOLA LINEA SENZA PERNO	GROUPE SOUPAPE SANS GOUJON	VALVE UNIT WITHOUT PIN	VENTIL
45	4197819	RACCORDO 6610 1/8" 8/6 S.RAP.	QUICK UNION 1/8" 8-6	RACCORD RAPIDE 1/8" 8-6	SCHNELLANSCHLUSS 1/8" 8-6
46	4199928	RACCORDO 1631-02 1/8"	RACCORD 1/8"	UNION 1/8"	ANSCHLUSS 1/8"
47	T3001342	TUBO RILSAN D. 8X6 L=1000	TUYAU RILSAN D.8x6 L=1000	RILSAN HOSE D.8x6 L=1000	SCHLAUCH 8x6 L=1000
48	T3000143	TUBO RILSAN 6X4 L=480	TUYAU RILSAN D.6x4 L=480	RILSAN HOSE D.6x4 L=480	SCHLAUCH 6x4 L=480
49	4399900	DADO AUTOBL.M 8 BASSO 6.S 7474	ECROU A' BLOCAGE AUTOMAT.	SELF-LOCKING NUT M8	SELBSTSICHERNDE MUTTER M8
50	4399894	MOLLA TAZZA 8,2X18X1 2093	RESSORT 8,2x18x1	BELLEVILLE WASHER 8,2x18x1	FEDER 8,2x18x1
51	4398274	VITE AUTOF. TCEI 5,5x26	VIS AUTOTARADEUSE 5,5x26	SELF-TAPPING SCREW 5,5x26	BLECHSCHRAUBE 5,5x26
52	4398848	RONDELLA 6 (6,6x18x1,5)ZNT6593	RONDELLE 6 (6,6x18x1,5)	WASHER 6 (6,6x18x1,5)	SCHEIBE 6 (6,6x18x1,5)
53	4299912	BIELLA PER CAMME	BIELLE	CONNECTING ROD	PLEUELSTANGE
54	4399891	VITE AUTOF.TC+ 2,9x6,5 ZNT	VIS AUTOTARADEUSE 2,9x6,5	SELF-TAPPING SCREW 2,9x6,5	BLECHSCHRAUBE 2,9x6,5
55	4299910	CAVALLOTTO GUIDA BIELLA	GUIDE-BIELLE	CONNECTING ROD GUIDE	PLEUELSTANGENFUEHRUNG
56	4299913	CAMMA DOPPIA	CAME	DOUBLE CAM	DOPPELKAMM
57	4299911	BALESTRA A FORCELLA	RESSORT A LAME	FORKED LEAF SPRING	GABELFEDER
58	4399889	DADO M 6 6S ZNT 5588	ECROU M6	NUT M6	MUTTER M6
59	T3002157	PEDALE COM.INVERT. ALL.	PEDALE	REVERSER CONTROL PEDAL	WECHSLERPEDAL
60	T3007953	BOCCOLA D.18x12,5x21 PED.INV.	DOUILLE D.18X12,5X21	BUSH D.18x12,5x21	BUECHSE D.18X12,5X21
62	4399889	DADO M 6 6S ZNT 5588	ECROU M6	NUT M6	MUTTER M6
63	4399122	ROND. DEN.ES."A" 8,4x15x0,8	RONDELLE D.8	TOOTHED WASHER 8,4x15x0,8	ZAHNSCHEIBE 8,4x15x0,8
64	4399998	RONDELLA 6 (6,4x12x1,6)ZNT6592	RONDELLE 6 (6,4x12x1,6)	WASHER 6 (6,4x12x1,6)	SCHEIBE 6 (6,4x12x1,6)

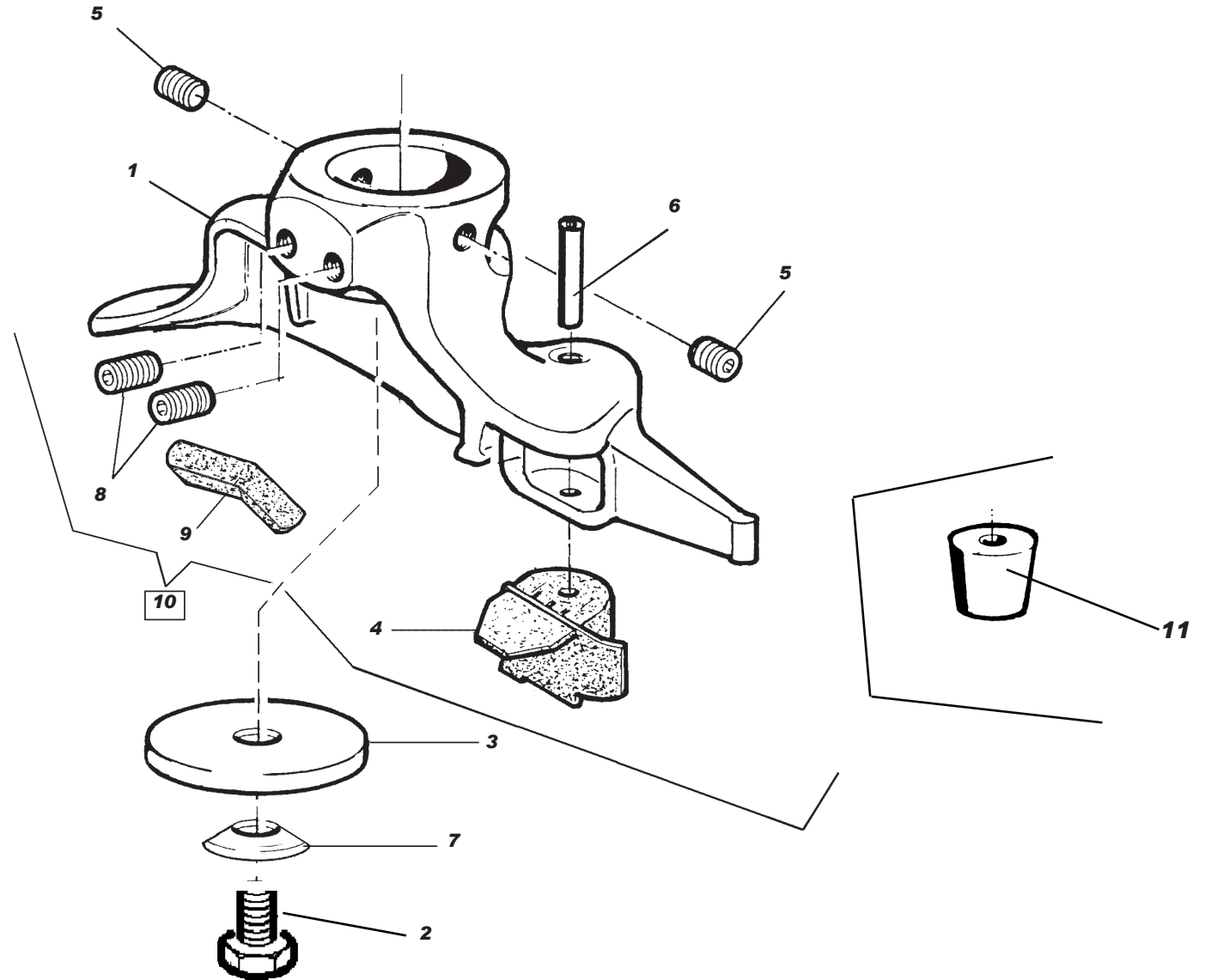
65	T3015340	SUPPORTO INVERTITORE			
66	4398723	VITE TE 6x12	VIS 6x12	SCREW 6x12	SCHRAUBE 6x12
67	4398999	VITE AUTOF.TCIC 3,5x13	VIS AUTOTARADEUSE 3,5x13	SELF-TAPPING SCREW 3,5x13	BLECHSCHRAUBE 3,5x13
68	4399703	ROND. DEN.ES."A" 4,3x8x0,5	RONDELLE DENTEE 4,3x8x0,5	TOOTHED WASHER 4,3x8x0,5	ZAHNSCHEIBE 4,3X8X0,5
69	T3015342	STAFFA SUPPORTO INVERT.-ZNT	ETRIER DE SUPPORT	SUPPORT	WECHSLERSTUETZE
70	4595380	INVERTITORE 32 A	INVERSEUR	REVERSER	WECHSLER 20A SERIE 13
71	3015345	PROTEZIONE INVERTITORE	PROTECTION INVERSEUR	REVERSER COVER	WECHSLERSCHUTZ
72	4399946	VITE TE 8x16 8.8 ZNT 5739	VIS 8x16	SCREW 8x16	SCHRAUBE 8x16
73	4399829	RONDELLA 8 (8,4x16x1,5)ZNT6592	RONDELLE 8 (8,4X16X1,5)	WASHER 8 (8,4x16x1,5)	BEILAGSSCHEIBE 8 (8,4x16x1,5)
74	2015450	GR.INVERT. 3PH NEW 20A	CABLE ALIMENTATION 1PH L=3600	FEEDING CABLE 1PH L=3600	SPEISEKABEL 1PH L=3600
74A	2015455	GR.INVERT.1PH 25A NEW CAVO+SPINA	GR. INVERSEUR 1PH 25A NEW	REVERSER UNIT 1PH 25A NEW	WENDER 1PH 25A NEW
74B	2015404	GR.INVERT.NEW 1PH 25A	GR.INVERSEUR NEW 1PH 25A	REVERSER UNIT NEW 1PH 25A	UMSCHALTER NEW 1PH 25A



1	T2032026	GR.BRACCIO STALL+PALETTA	BRAS DECOLLEUR + PALE	BEAD BREAKING ARM + PLATE	WULSTABDRUECKARM+SCHAUFEL
2	T3000114	MOLLA BRACCIO STALLONATORE	RESSORT BRAS DECOLLEUR	BEAD BREAKER SPRING	FEDER
3	4399945	VITE TE 16x100 8.8 P.F. 5737	VIS M16x100 8.8	SCREW 16x100 8.8	SCHRAUBE M16x100 8.8
4	T6631726	BRACCIO STALL. MAXI	BRAS DETALLONEUR MAXI	BEAD BREAKING ARM	WULSTABDRUECKARM
5	4399963	DADO AUTOBL.M16 BASSO.6S. 7474	ECROU A' BLOCAGE AUTOM. M16	SELF-LOCKING NUT M16	SELBSTSICHERNDE MUTTER M16
6	4299952	POMOLO D.14	POIGNEE D.14	KNOB D.14	KUGELGRIFF D.14
7	T3013838	PERNO POSIZIONATORE SFILO SNODO	GOUJON	PIN	STIFT
8	4399979	ANELLO SEEGER E D.30 7435	BAGUE SEEGER D.30	SEEGER RING D.30	SEEGER RING D.30
9	T3007894	PERNO ORIENTABILE ASTA	PIVOT	PIVOT PIN	DREHZAPFEN
10	4399975	ANELLO SEEGER E D.20 7435	BAGUE SEEGER D.20	SEEGER RING D.20	SEEGER RING D.20
11	T2131725	PERNO SNODO PALETTA-BRUNITO	GOUJON	PIN	DREHZAPFEN
12	T2131935	PALETTA STALLONATORE	PALETTE DETALLONAGE	BEAD BREAKING BLADE	WULSTABDRUECKSCHAUFEL
13	4398899	MOLLA TAZZA 14,3x34x1,5	RESSORT 14,3x34x1,5	BELLEVILLE WASHER 14,3x34x1,5	FEDER 14,3x34x1,5
14	4396941	DADO M14 6S BASSO	ECROU M14	NUT M14	MUTTER M14 TRIBLOK

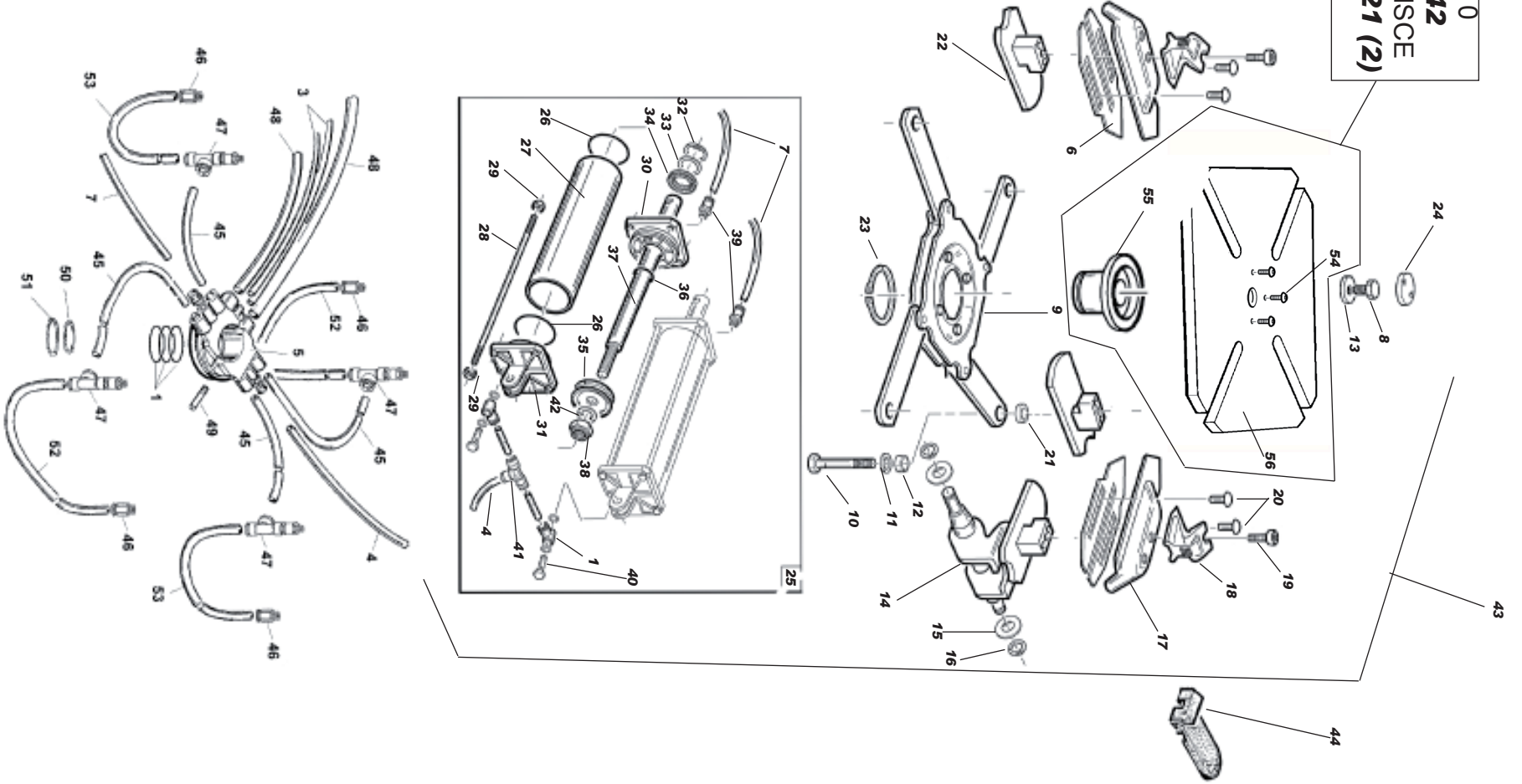


1	T2031735 GR.CILINDRO STALLONATORE	CYLINDRE DECOLLEUR	BEAD BREAKER CYLINDER	ZYLINDER
2	4399889 DADO M 6 6S ZNT 5588	ECROU M6	NUT M6	MUTTER M6
3	T3031734 FONDELLO CILINDRO STALLONATORE	CULOT CYLINDRE DECOLLEUR	CYLINDER BASE	ZYLINDERENDSCHEIBE
4	T3000124 MOLLA CILINDRO STALLONATORE	RESSORT	SPRING	FEDER
5	4394969 DADO MEDIO M18 7474	ECROU A' M18	NUT M18	MUTTER M18
6	T3031460 PISTONE CILINDRO STALLONATORE	PISTON	PISTON	ZYLINDERKOLBEN
7	T4193622 GUARNIZIONE 198X180X12	JOINT A LEVRE	GROMMET	DICHTUNGSRING
8	T3031738 ASTA PIST.STALL.	TIGE DE PISTON	PISTON SHAFT	KOLBENSTANGE
9	4398708 VITE TE 6x16 8.8 5739	VIS M6x16 8.8	SCREW M6x16 8.8	SCHRAUBE M6x16 8.8
10	T2031733 CILINDRO STALLONATORE C. D.20	CYLINDRE DECOLLEUR	BEAD BREAKER CYLINDER	ZYLINDER
11	4399943 VITE TCEI M12x35 12.9 5931	VIS M12x35 12.9	SCREW M12x35 12.9	SCHRAUBE M12x35 12.9
12	T3000117 BOCCOLA PER CILINDRO STALL.	DOUILLE	BUSH	BUECHSE
13	T3000143 TUBO RILSAN 6X4 L=480	TUYAU RILSAN D.6x4 L=480	RILSAN HOSE D.6x4 L=480	SCHLAUCH 6x4 L=480
14	4198298 RACCORDO S6510 1/4"-6 S.R.	RACCORD RAPIDE 1/4"	QUICK UNION 1/4"	SCHNELLANSCHLUSS 1/4"
15	T3031744 AMMORTIZZATORE	AMORTISSEUR	SHOCK-ABSORBER	STOSSDAEMPFER
16	4198808 SILENZIATORE 1/4" SPEC. D.24	ATTENUATEUR DE BRUIT 1/4"	SILENCER 1/4"	SCHALLDAEMPFER 1/4"
17	T4199201 VALVOLA MOTORE GAST-VSC544 1/4	VALVE MOTOR GAST-VSC544 1/4	SOUPAPE	VENTIL
18	4199726 NIPPLO 1/4" ART.2500	NIPPLE 1/4"	NIPPLE 1/4"	NIPPEL 1/4"
20	4296509 ANELLO GUIDA WRI 20	GUIDE RING	BAGUE DE GUIDAGE	FUEHRUNGSRING
21	3199601 ANELLO RASCH.BID.L7 NSW 20 30 6/CO	SEGMENT RACLEUR	SCRAPER	KRATZSCHEIBE
22	4299168 ANELLO OR 3081 D.20,29x2,62	JOINT OR D.20,29x2,62	O-RING 20,29x2,62	O-RING 20,29X2,62
23	4398725 DADO AUTOBL.MA18 ALTO DIN 982	ECROU DE VERROUILLAGE M18	SELF-LOCKING NUT M18	SELBSTSICHERNDE MUTTER M18



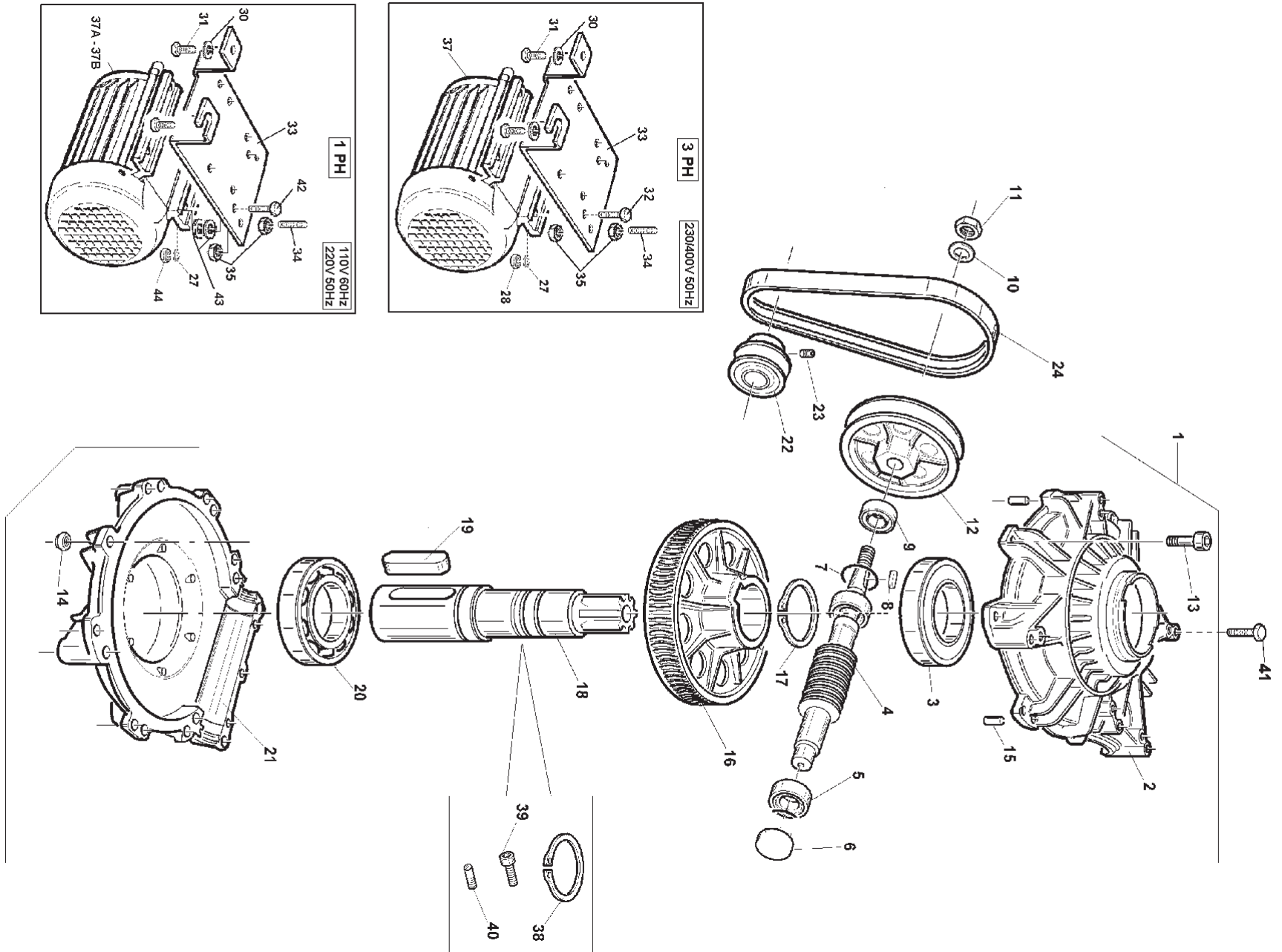
1	T3015133	UTENSILE INTEGR.ORIENT. STRONG COMPL.	SWINGING MOUNTING HEAD STRONG	TETE DE MONTAGE STRONG	MONTIERWERKZEUG STRONG
2	4399953	VITE TE 10x16 8.8 5739	SCREW M10x16 8.8	VIS M10x16 8.8	SCHRAUBE M10x16 8.8
3	4395804	RONDELLA DIN6319 "G" 14,2x35x5	WASHER DIN6319 "G" 14,2x35x5	RONDELLE DIN6319 "G" 14,2x35x5	BEILAGSSCHEIBE DIN6319 "G" 14,2x35x5
4	T3006689	INSERTO PLAST. X TORR. INTEGR.	PLASTIC INSERT	INSERT EN PLASTIQUE	PLASTIKEINSATZSTUECK
5	4395530	VITE STEI 12x12 P.COPPA 5927	SCREW STEI M12x12	VIS STEI M12x12	SCHRAUBE STEI M12x12
6	4399958	SPINA CIL.RETT. 5x24	PARALLEL PIN 5x24	AXE CYLINDRIQUE 5x24	ZYLINDERSTIFT 5x24
7	4395805	RONDELLA DIN6319 "C" 10,2x21x4	WASHER DIN6319 "C" 10,2x21x4	RONDELLE DIN6319 "C" 10,2x21x4	BEILAGSSCHEIBE DIN6319 "C" 10,2x21x4
8	4395529	VITE STEI 12x16 P.P.	SCREW 12x16	VIS 12x16	SCHRAUBE 12x16
9	T3013650	INSERTO INFER. X TORR. INTEGR.	PLASTIC INSERT	INSERT EN PLASTIQUE	KUNSTSTOFFEINSATZSTUECK
10	T2031851	TORRETTA INTEGR.OR.STRONG COMPL.	MOUNTING TOOL	OUTIL DE MONTAGE	
11	3000215	RULLINO PER UNGHIA	ROLLER	GALET	ROLLE

DA 10/2010
T2033242
SOSTITUISCE
T2132021 (2)



1	4197819	RACCORDO 6610 1/8" 8/6 S.RAP.	QUICK UNION 1/8" 8-6	RACCORD RAPIDE 1/8" 8-6	SCHNELLANSCHLUSS 1/8" 8-6
2	T2033242	GR. PIATTO MAXI GT + MOZZO			
3	T3099335	TUBO ELASTOLAN D. 8X6 L=750	HOSE 8x6 L=750	TUYAU 8x6 L=750	SCHLAUCH 8x6 L=750
4	T3016820	SPIRALE RILSAN 8X6 L=560	RILSAN SPIRAL HOSE 8X6 L=560	TUYAU SPIRALE RILSAN 8X6 L=560	SPIRALENSCHLAUCH 8X6 L=560
5	T4295066	RACCORDO GIREVOLE "Y" GT	ROTATING UNION "Y" GT	RACCORD PIVOTANT "Y" GT	DREHANSCHLUSS "Y" GT
6	3015171	PIASTRINA AUOC. 24"	PLATE f. TURNTABLE 24"	PLAQUE p. CENTREUR 24"	PLAETTCHEN f. ZENTRIERTISCH 24"
7	T3000870	TUBO ELASTOLAN D. 8X6 L=240	HOSE 8x6 L=240	TUYAU 8x6 L=240	SCHLAUCH 8x6 L=240
8	4395179	VITE TE 16x1,5x45 8.8 ZNT 5740	SCREW TE 16x1,5x45 8.8 5740	VIS TE 16x1,5x45 8.8 5740	SCHRAUBE TE 16x1,5x45 8.8 5740
9	T2012472	FLANGIA AUOC. 18-19-20-22 UNIF.	18/19/20" TURNTABLE FLANGE	BRIDE CENTREUR 18/19/20"	18/19/20" SELBSTZENTR. FLANSCH-
10	4398838	VITE TE 12x1,25x45 8.8 PF	SCREW 12x1,25x45	VIS 12x1,25x45	SCHRAUBE 12x1,25x45
11	4398637	RONDELLA 12x21x2,5	WASHER D.12x21x2,5	RONDELLE D.12x21x2,5	BEILAGSSCHEIBE D.12x21x2,5
12	3006880	DISTANZIALE BIELLA UNIF.12x18x9	SPACER	ENTRETOISE	DISTANZSTUECK
13	3009778	RONDELLA SPEC. D.16x47x13-ZNT	WASHER D.16x47x13	RONDELLE D.16x47x13	BEILAGSSCHEIBE D.16x47x13
14	T2133769	GUIDA SCOR.PERNO COMPL.-BRUNIT.	PIN SLIDE GUIDE	GUIDE COULISS. AXE	STIFT GLEITFUEHRUNG
15	4399981	RONDELLA 12 (13x24x2,5)	WASHER 12 (13x24x2,5)	RONDELLE 12 (13x24x2,5)	BEILAGSSCHEIBE 12 (13x24x2,5)
16	4399864	ANELLO SEEGER E D.12	SEEGER RING D.12	BAGUE SEEGER D.12	SEEGER-RING D.12
17	2107387	SCORREVOLE GT UNIF.-ZNT B.	GT SLIDE	PATIN GT	GT SCHLITTEN
18	3002297	GRIFFA BLOCCAGGIO MAGGIORATA	CLAMP	MORS	SPANNKLAUE
19	4398037	VITE TCEI M10x1,25x25	SCREW 10x1,25x25	VIS 10x1,25x25	SCHRAUBE 10x1,25x25
20	T3015187	PERNO GUIDA SCORREV. ZINCATO	GUIDE PIN	AXE GUIDAGE	FUEHRUNGSSTIFT
21	3006879	DISTANZIALE AUOC. UNIF.	SPACER	ENTRETOISE	DISTANZSTUECK
22	T2115755	GUIDA SCORR. COMPLETA -BRUNITA	COMPLETE SLIDE GUIDE	GUIDE COULISS. COMPLET	KOMPL. GLEITFUEHRUNG
23	4399932	ANELLO SEEGER E D.65 7435	RING	BAGUE	RING
24	3000062	PROTEZIONE CENTRALE PIATTO	PROTECTION	PROTECTION	SCHUTZ
25	T2033499	GR.CILINDRO AUT.12"-24" INT.	12"-24" TURNTABLE CYLINDER	VERIN CENTREUR 12"-24"	12"-24" ZENTRIERTISCHZYLINDER
26	T4298822	ANELLO OR 842 D.68,26x3,53	O-RING D.68,26x3,53	JOINT OR D.68,26x3,53	O-RING D.68,26x3,53
27	T3033500	CAMICIA CIL. L=405	CYLINDER LINER L=405	CHEMISE VERIN L=405	ZYLINDERMANTEL L=405
28	T3007941	VITE SPECIALE TE M8x369	SPECIAL SCREW M8x369	VIS SPECIALE 8x369	SONDERSCHRAUBE M8x369

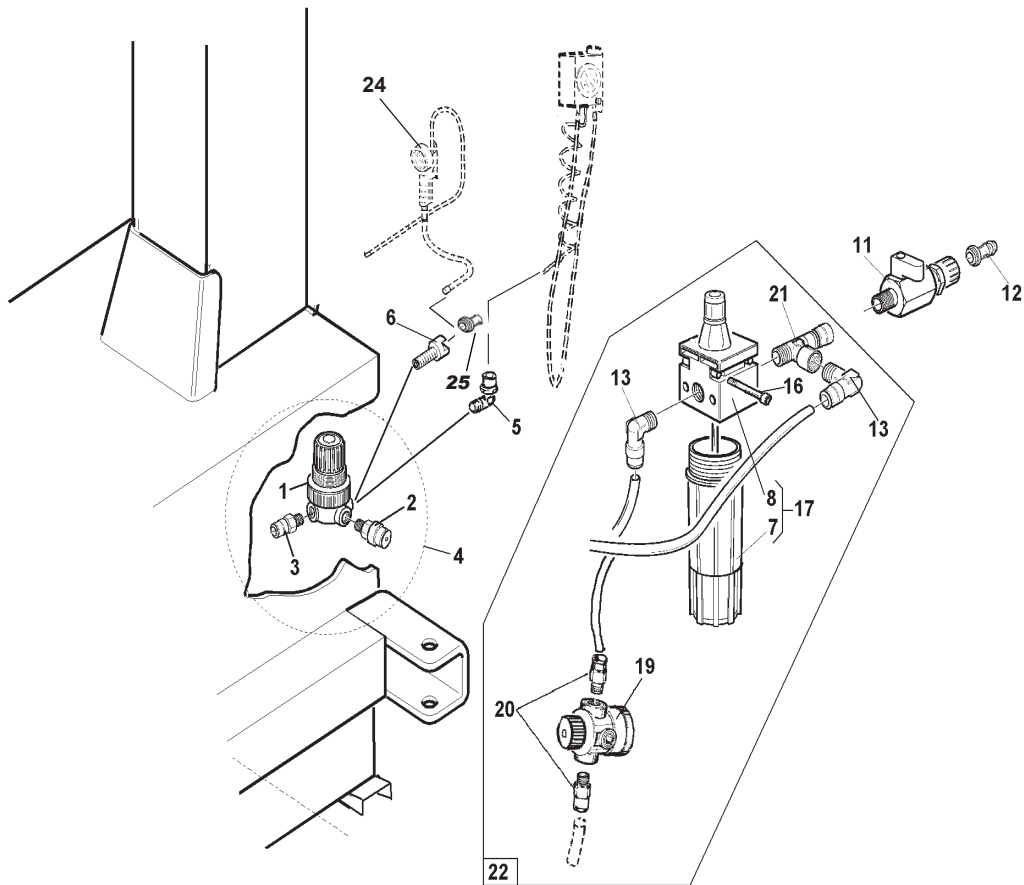
29	4397678	DADO FLANGIATO M8	FLANGED NUT M8	ECROU BORDE" M8	FLANSCHMUTTER M8
30	3015024	FLANGIA ANTER.D.75-PRF	FLANGE	BRIDE	FLANSCH
31	T3015023	FLANGIA POSTER.D.75-PRF	FLANGE	BRIDE	FLANSCH
32	T3199599	ANELLO SEEGER I D.30 JV	SEEGER RING D.30	BAGUE SEEGER D.30	SEEGER-RING D.30
33	4398146	RASAMENTO 24x30x1	STEEL SHIM 24x30x1	CALE EN ACIER 24x30x1	STAHLZWISCHENLAGE 24x30x1
34	3199601	ANELLO RASCH.BID.L7 NSW 20 30 6/CO	SCRAPER	SEGMENT RACLEUR	KRATZSCHEIBE
35	T4198856	PISTONE MONOBLOCCO TDUOP D.75	PISTON D.75	PISTON D.75	KOLBEN D.75
36	T4299168	ANELLO OR 3081 D.20,29x2,62	O-RING 20,29x2,62	JOINT OR D.20,29x2,62	O-RING 20,29X2,62
37	T3002901	ASTA CILINDRO AUT.20" L=400	CYLINDER ROD 20" L=400	TIGE VERIN 20" L=400	ZYLINDERSTANGE 20" L=400
38	4399865	DADO AUTOBL.M12 BASSO.6S.	SELF-LOCKING NUT M12	ECROU DE VERROUILLAGE M12	SELBSTSICHERNDE MUTTER M12
39	4198954	RACCORDO 6512 1/8"-8 S.R.	QUICK UNION 1/8"	RACCORD RAPIDE 1/8"	SCHNELLANSCHLUSS 1/8"
40	4199929	RACCORDO 1631-01 1/8"	UNION 1/8"	RACCORD 1/8"	ANSCHLUSS 1/8"
41	4198978	RACCORDO 6540 8	UNION	RACCORD	ANSCHLUSS
42	4398753	RONDELLA 12,5x30x3	WASHER D.12,5x30x3	RONDELLE D.12,5x30x3	BEILAGSSCHEIBE D.12,5x30x3
43	T2032057	GR.AUTOC.STELLA 10-24 GT			
44	T3001468	PROTEZ.INTEGRALE GRIFFA	CLAMP COVER	PROTECTION MORS	KLAUENSCHUTZ
45	T3006477	TUBO POLIUR.10X6,5 L=335	POLYURETHAN HOSE 10x6,5 L=335	TUYAU 10x6,5 L=335	SCHLAUCH 10x6,5 L=335
46	4198035	RACCORDO DRITTO 1/4"-10 A.112	UNION 1/4"	RACCORD 1/4"	ANSCHLUSS 1/4"
47	T4197207	RACCORDO "T" 1/8"-10/8 A.112	UNION TEE 1/8" 10-8	RACCORD EN T 1/8" 10-8	T-VERSCHRAUBUNG 1/8" 10-8
48	T3002109	TUBO RILSAN 14X11 L=1070	RILSAN HOSE 14x11 L=1070	TUYAU RILSAN 14x11 L=1070	SCHLAUCH 14x11 L=1070
49	3001996	VITE X RACC.GIREV.TUBL.	SCREW	VIS	SCHRAUBE
50	4297520	ANELLO OR 153 D.49,21X3,53	O-RING 153 D.49,21x3,53	JOINT OR 153 D.49,21X3,53	O-RING 153 D,49,21X3,53
51	3008646	DISTANZ. X OR GT (D.55 x 1,5)	O-RING SPACER (D.55x1,5)	ENTRETOISE	DISTANZSTUECK
52	T3006479	TUBO POLIUR.10X6,5 L=430	POLYURETHAN HOSE 10x6,5 L=430	TUYAU 10x6,5 L=430	SCHLAUCH 10x6,5 L=430
53	T3006478	TUBO POLIUR.10X6,5 L=310	POLYURETHAN HOSE 10x6,5 L=310	TUYAU 10x6,5 L=310	SCHLAUCH 10x6,5 L=310
54	4399391	VITE TSPEI M 8x25 10.9 ZNT 5933	SCREW 8x25	VIS 8x25	SCHRAUBE 8x25
55	T3032956	MOZZO FILETTATO PIATTI AUTOC.			
56	T3032992	LAMIERA PIATTO AUTOC. 24"			



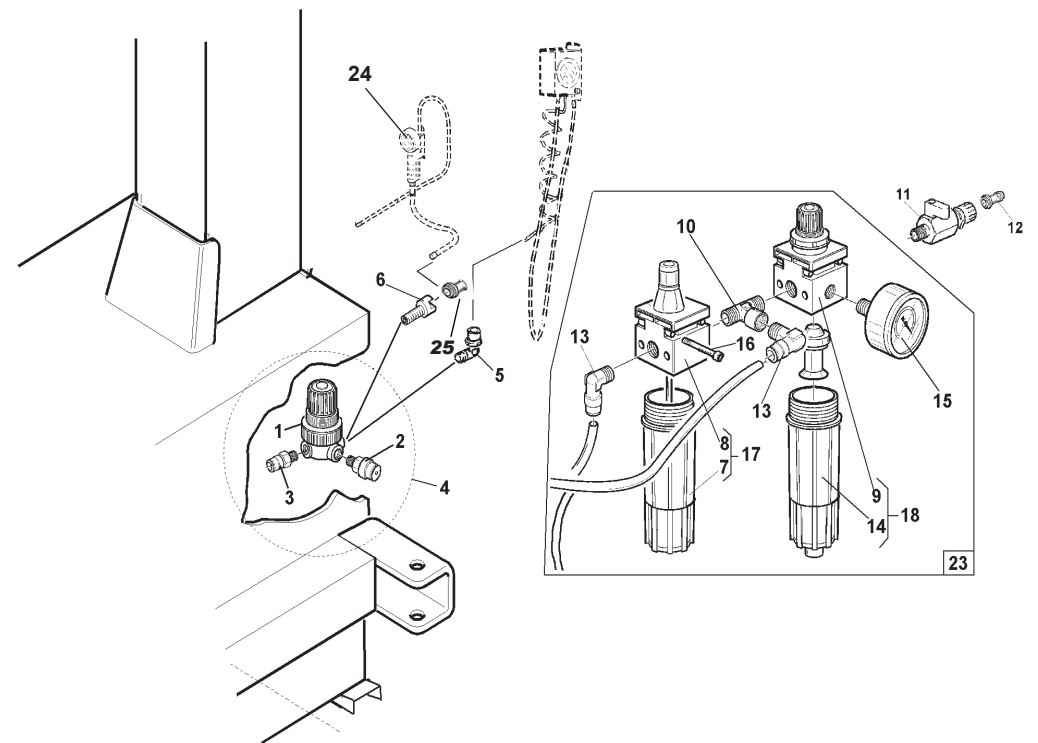
Ref	Code	Descrizione	Description	Description	Beschreibung
1	T2011967	GR. RIDUTT. SMTG AUTO COMPL.	REDUCTION GEAR UNIT	GROUPE REDUCTEUR	REDUKTORAGGREGAT
2	3010872	SCATOLA SUPER. RIDUTT.	REDUCTION GEAR BOX	BOITE REDUCTEUR	REDUKTORKASTEN
3	4296945	CUSCINETTO 6212 2RS 60x110x22	BEARING 60X110X22	COUSSINET 60X110X22	LAGER 60X110X22
4	T3010883	VITE SENZA FINE RID.SMTG AUTO	WORM	VIS SANS FIN	SCHNECKE
5	4296944	CUSCINETTO RULLI CONICI 30204	BEARING	COUSSINET	LAGER
6	3017760	COPERCHIETTO TENUTA IN GOMMA	SEALING CAP	BOUTON D'ETANCHEITE'	DICHTUNGSKAPPE
7	4294205	GUARNIZIONE FT D.40X35X4 NBR 75	SEAL D.40X35X4 NBR 75	JOINT D.40X35X4 NBR 75	DICHTUNG D.40X35X4 NBR 75
8	4396947	LINGUETTA 6x6x18 (A) 6604	TAB 6X6X18	PLAQUE 6X6X18	PLÄTTCHEN 6X6X18
9	4296942	ANELLO TENUTA 20x35x10	O-RING 20X35X10	JOINT TORIQUE 20X35X10	O-RING 20X35X10
10	4398807	RONDELLA 14 (15x28x2,5)ZNT6592	WASHER 14 (15x28x2,5)	RONDELLE 14 (15x28x2,5)	SCHEIBE 14 (15x28x2,5)
11	4396941	DADO M14 6S BASSO ZNT 5589	NUT M14	ECROU M14	MUTTER M14
12	3199596	PULEGGIA RIDUTTORE	GEARBOX PULLEY	POULIE REDUCTEUR	REDUKTORSCHEIBE
13	4399134	VITE TCEI M 8x30 8.8 5931	SCREW TCEI 8x30 8.8	VIS M8x30 8.8	SCHRAUBE TCEI M 8X 30 8.8
14	4399900	DADO AUTOBL.M 8 BASSO 6.S 7474	SELF-LOCKING NUT M8	ECROU A' BLOCAGE AUTOMAT. M8	SELBSTSPERRENDE MUTTER M8
15	4396940	SPINA CIL.RETT. 8x20 6364A	PIN 8X20	AXE 8X20	STIFT 8X20
16	3031567	RUOTA ELICOIDALE RID.-FINITA	HELICAL GEAR	ROUE HELICOIDALE	SCHNECKENRAD
17	4396946	ANELLO SEEGER E D.60x3 7436	SEEGER RING D.60X3	JOINT SEEGER D.60X3	SEEGER RING D.60X3
18	T3010885	PERNO PER RUOTA ELICOID.	HELICAL GEAR STUD	AXE POUR ROUE HELICOIDALE	SCHNECKENRADBOLZEN
19	4396948	LINGUETTA 16x10x70 (A) 6604	TAB 16X10X70	PLAQUE 16X10X70	PLÄTTCHEN 16X10X70
20	4296910	CUSCINETTO 6212 60x110x22	BEARING 60X110X22	COUSSINET 60X110X22	LAGER 60X110X22
21	3010873	SCATOLA INFERIORE RIDUTTORE	REDUCTION GEAR BOX	BOITE REDUCTEUR	REDUKTORKASTEN
22	T2100166	PULEGGIA MOTORE	MOTOR PULLEY	POULIE MOTEUR	MOTORSCHEIBE
23	4399922	VITE STEI 8x14 P.CIL. 5925	SCREW 8x14	VIS 8x14	SCHRAUBE 8x14
24	T4299923	CINGHIA	BELT	COURROIE	RIEMEN

27	4399829	RONDELLA 8 (8,4x16x1,5)ZNT6592	WASHER 8 (8,4x16x1,5)	RONDELLE 8 (8,4X16X1,5)	SCHEIBE 8 (8,4x16x1,5)
28	4399976	DADO M 8 6S ZNT 5588	NUT M8	ECROU M8	MUTTER M8
30	4398662	ROND.GROWER D.10 ZNT	GROWER WASHER D.10	RONDELLE GROWER D.10	BEILAGSSCHEIBE GROWER D.10
31	4399966	VITE TE 10x20 8.8 5739	SCREW M10x20 - 8.8	VIS 10x20 8.8	SCHRAUBE M10x20 8.8
32	4399935	VITE TE 8x25 8.8 5739	SCREW TE M8X25 8.8	VIS TE M8x25 8.8	SCHRAUBE TE M8x25 8.8
33	T3031872	SUPP. MOTORE	MOTOR SUPPORT	SUPPORT DE MOTEUR	MOTORLAGER
34	T3031873	BARRA FILETTATA M10 L=65	THREADED BAR M10 L=65	BARRE TARAUDEE M10 L=65	GEWINDESTANGE M10 L=65
37	T3993911	MOTORE EL.3PH 230/400V 50Hz-SMTG T	3PH MOTOR 230/400V 50H	MOTEUR 3PH 230/400V 50H	3PH MOTOR 230/400V 50H
37 A	T3993922	MOTORE EL.1PH 110V 50/60Hz-SMTG T	MOTOR	MOTEUR	MOTOR
37 B	T3993913	MOT. EL.1PH 230V 0,75KW 50Hz -T 1PH	MOTOR 230V 0,75KW 50Hz	MOTEUR 1PH 230V 0,75KW 50Hz	MOTOR 1PH 230V 0,75KW 50Hz
38	4396700	ANELLO SEEGER E D.50x2 7436	SEEGER RING D.50x2	JOINT SEEGER D.50x2	SEEGER RING D.50x2
39	4399964	VITE TE M 6x10	SCREW TE M6 x 10	VIS TE M6 x 10	SCHRAUBE TE M6x10 8.8
40	3001996	VITE PER RACCORDO GIREVOLE GT	SCREW FOR ROTATING UNION GT	VIS pour RACCORD PIVOTANT GT	SCHRAUBE f. DREHANSCHLUSS GT
41	4399933	VITE TE M10x50 8.8	SCREW TE M10x50	VIS TE M10x50	SCHRAUBE TE M10x50
42	4398947	VITE TE 8x35 8.8 PF ZNT 5737	SCREW 8x35	VIS 8x35	SCHRAUBE 8x35
43	3000181	RONDELLA AMM. MOTORE	WASHER	RONDELLE	BEILAGSSCHEIBE
44	4399900	DADO AUTOBL.M 8 BASSO 6.S 7474	SELF-LOCKING NUT M8	ECROU DE VERROUILLAGE M8	SELBSTSPERRENDE MUTTER M8

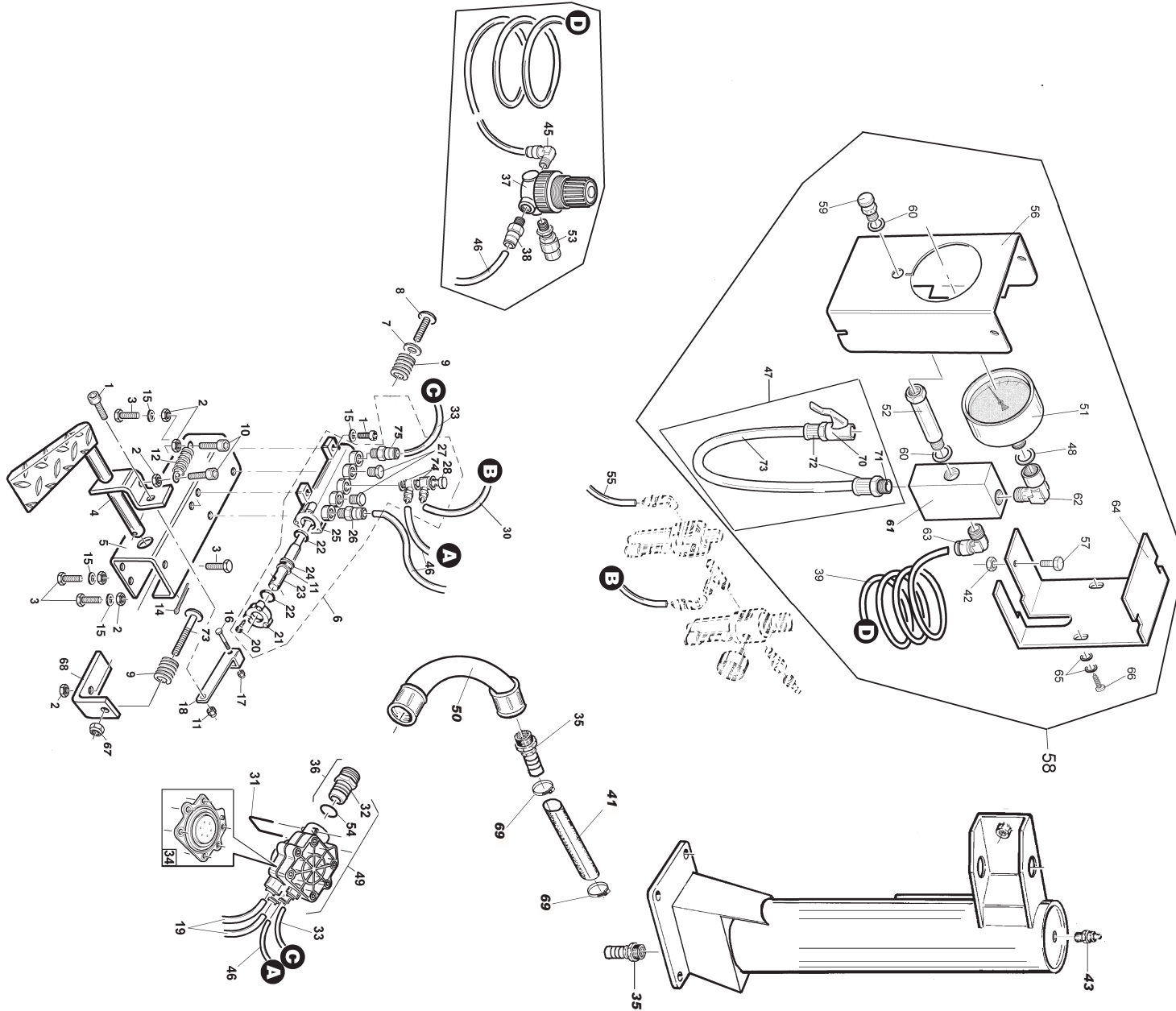
STANDARD



CON FILTRO REGOLATORE
 WITH FILTER REGULATOR
 AVEC FILTRE REGULATEUR
 MIT FILTERREGLER



1	4198173	REGOLATORE 1/4" 0-3,5 BAR	REGULATEUR 1/4" 0-3,5 BAR	REGULATOR 1/4" 0-3,5 BAR	DRUCKREGLER 1/4" 0-3,5 BAR
2	4198435	VALV.SIC.1/8"0/4 BAR+RIV.+CAP.	SOUPAPE SECURITE' 1/8" 0/4 BAR	SAFETY VALVE 1/8" 0/4 BAR	SICHERHEITSVENTIL 1/8" 0/4BAR
3	4198884	RACCORDO 6510 1/4"-8 S.RAPIDO	RACCORD 6510 1/4"	UNION 6510 1/4"	ANSCHLUSS 6510 1/4"-8
4	T2010781	GR.REGOLAT.4 BAR USC. GT CE	GRUPPE REGULATEUR PRESS. 4BAR	4 BAR PRESSURE REGULATOR UNIT	4 BAR-DRUCKREGLERGRUPPE
5	4198578	RACCORDO 6520 1/4"-8/6 GIREV.	RACCORD 6520 1/4"8/6	ROTATING UNION 1/4"-8/6	VERSCHRAUBUNG 6520 1/4"-8/6
6	4199797	RACCORDO 9A/M 1/4"	RACCORD 9A/M 1/4"	UNION 9A/M 1/4"	ANSCHLUSS 9A/M 1/4"
7	4196316	TAZZA LUBRIFICATORE	CUVE DU LUBRIFICATEUR	LUBRICATOR CUP	SCHMIERBECHER
8	4196315	CORPO LUBRIFICATORE	CORPS LUBRIFICATEUR	LUBRICATOR	SCHMIERER
9	4196313	CORPO FILTRO REGOLATORE	CORPS FILTRE	FILTER BODY	FILTERKÖRPER
10	4198973	RACCORDO 2070 1/4" MFM	RACCORD 2070 1/4"	UNION	ANSCHLUSS 2070 1/4"
11	4196354	VALVOLA MVS 2901 DF 1/4"	SOUPAPE MVS 2901 DF 1/4"	VALVE MVS 2901 DF 1/4"	VENTIL MVS 2901 DF 1/4"
12	4199987	ATTACCO RESCA 2P 1/4 8	ATTELAGE	UNION 1/4	VERBINDUNG
13	4198883	RACCORDO 6500 1/4"-8 S.RAPIDO	RACCORD 6500 1/4"-8 RAPIDE	QUICK UNION 6500 1/4"-8	ANSCHLUSS 6500 1/4" - 8
14	4196314	TAZZA FILTRO REGOLATORE	CUVE FILTRE	FILTER CUP	FILTERBECKEN
15	4298308	MANOMETRO D.40 0-16 BAR 1/8"	MANOMETRE D.40 0-16 BAR 1/8"	PRESS. GAUGE D.40 0-16 BAR 1/8"	MANOMETER D.40 0-16 BAR 1/8"
16	4396593	VITE TCEI M 4x40 8.8	VIS 4x40	SCREW 4x40	SCHRAUBE 4x40
17	4196481	LUBRIFIC.1/4"	HUILEUR	LUBRICATOR	SCHMIERER
18	4196480	FILTRO REG.	FILTRE REGULATEUR	FILTER REGULATOR	FILTERREGLER
19	4198951	REGOLATORE 1/4" 0,5-10 BAR	REGULATEUR 1/4" 0,5-10 BAR	REGULATOR	REGLER 1/4" 0,5 - 12 BAR
20	4198884	RACCORDO 6510 1/4"-8 S.RAPIDO	RACCORD 6510 1/4"	UNION 6510 1/4"	ANSCHLUSS 6510 1/4"-8
21	4199818	RACCORDO 2070 1/4 MFF	RACCORD 1/4"	UNION 1/4"	ANSCHLUSS 1/4"
22	T2012326	GRUPPO LUBRIFICATORE	HUILEUR	LUBRICATOR GROUP	SCHMIERER
23	T2012307	GRUPPO LUBRIFICAT + FILTRO REG.	HUILEUR+FILTRE REGULATEUR	LUBRICATOR+FILTER REGULATOR	SCHMIERER+FILTERREGLER
24	9298243	PISTOLETTA GONFIAGGIO MICHELIN	PISTOLET MICHELIN CE COMPL.	MICHELIN INFLATING GAUGE - CE	MICHELIN LUFTDRUCKPISTOLE CE
25	T3007754	TAPPO RACC.CON GHIERA	UNION + RING NUT	RACCORD + EMBOUT	ANSCHLUSS + RING



1	4399890	VITE TCEI M 6x20 8.8 5931	SCREW M6x20 - 8.8	VIS M6x20 - 8.8	SCHRAUBE M6x20 -8.8
2	4399889	DADO M 6 6S ZNT 5588	NUT M6	ECROU M6	MUTTER M6
3	4399892	VITE TE 6x20 8.8 5739	SCREW M6x20 - 8.8	VIS M6x20 - 8.8	SCHRAUBE M6x20 - 8.8
4	T2110288	PEDALINO GT -ZINC. B.	GT PEDAL	PEDALE GT	GT-PEDAL
5	T3010287	SUPPORTO PEDAL. GT	GT PEDAL SUPPORT	SUPPORT DE PEDALE GT	GT-PEDALSTUETZ
6	T2033240	GR.VALVOLA GT	VALVE UNIT	GR.SOUPAPE GT	VENTIL
7	4398848	RONDELLA 6 (6,6x18x1,5)	WASHER 6 (6,6x18x1,5)	RONDELLE 6 (6,6x18x1,5)	BEILAGSSCHEIBE 6 (6,6x18x1,5)
8	4399229	VITE TE 6x10 8.8	SCREW 6x10	VIS 6x10	SCHRAUBE 6X10
9	T4298942	MOLLA GIALLA SL D.20x25	SPRING D.20x25	RESSORT D.20x25	FEDER D.20x25
10	4399999	VITE TCEI M 6x25 8.8 5931	SCREW M6x25 - 8.8	VIS M6x25 - 8.8	SCHRAUBE M6x25 - 8.8
11	4398634	ANELLO SEEGER E D.10	SEEGER RING D.10	BAGUE SEEGER D.10	SEEGER RING D.10
12	T3000141	MOLLA RITORNO PEDALI	SPRING	RESSORT DE RAPPEL PEDALES	RUECKZUGFEDER
15	4399998	RONDELLA 6 (6,4x12x1,6)ZNT6592	WASHER 6 (6,4x12x1,6)	RONDELLE 6 (6,4x12x1,6)	SCHEIBE 6 (6,4x12x1,6)
14	4399100	COPIGLIA D.3,2X30 1336	SPLIT PIN D.3,2x30	GOUPILLE D.3,2x300	SPLINT D.3,2X30
16	4399897	VITE TE 4x25 8.8 P.F. 5737	SCREW M4x25 - 8.8	VIS M4x25 - 8.8	SCHRAUBE M4x25 - 8.8
17	4399895	DADO AUTOBL.M 4 BASSO.6S. 7474	SELF-LOCKING NUT M4	ECROU A' BLOCAGE AUTOMAT. M4	SELBSTSICHERNDE MUTTER M4
18	3001853	LEVETTA COMANDO VALVOLA -ZNT	VALVE CONTROL LEVER	LEVIER COMMANDE SOUPAPE	VENTILKONTROLLHEBEL
19	3002109	TUBO RILSAN 14X11 L=1070	RILSAN HOSE D.14x11 L=1070	TUYAU RILSAN 14x12 L=1070	SCHLAUCH D.14x11 L=1070
20	4398999	VITE AUTOF. TCIC 3,5x13 6954	SELF-TAPPING SCREW 3,5x13	VIS AUTOTARADEUSE 3,5x13	BLECHSCHRAUBE 3,5x13
21	3001585	FLANGIA X VALVOLA 3001583	FLANGE for VALVE 3001583	BRIDE POUR SOUPAPE 3001583	FLANSCH
22	4299000	ANELLO OR 9,8x3,85	O-RING 9,8x3,85	JOINT OR 9,8x3,85	O-RING 9,8x3,85
23	3001849	ASTA X VALVOLA PNEU. GT TN	GT PNEUMATIC VALVE SHAFT	TIGE POUR SOUPAPE	VENTILSTANGE
24	3001584	DISTANZIALE X VALVOLA 3001583	SPACER FOR VALVE 3001583	ENTRETOISE	ABSTANDSSTUECK
25	3001583	VALVOLA DISTRIB.-SENZA CHIAVET	DISTRIBUTION VALVE	SOUPAPE DISTRIBUTION	VENTIL
26	4198954	RACCORDO 6510 1/8"-8 S.RAPIDO	QUICK UNION 6510 1/8"-8	RACCORD RAPIDE 6510 1/8"-8	SCHNELLANSCHLUSS 6510 1/8"-8
28	4199888	RACCORDO "T" 1/8"-8/6 A.112	T-UNION	RACCORD PST08-01 1/8-8	T-VERSCHRAUBUNG 1/8"
29	4199098	RACCORDO 6500 1/8" 6-4 S.RAPID	UNION 6500 1/8" 6-4	RACCORD 1/8" 6-4	ANSCHLUSS 6500 1/8" 6-4

30	T3001382	TUBO RILSAN D. 8X6 L=850	RILSAN HOSE D.8x6 L=850	TUYAU RILSAN D.8x6 L=850	SCHLAUCH D.8x6 L=850
31	T3017494	FORCELLA A "U"	U-FORK	FOURCHE EN "U"	U-GABEL
32	T3017573	RACCORDO INNESTO RAPIDO 1"-BRUN.	QUICK UNION	RACCORD RAPIDE	SCHNELLKUPPLUNG
33	T3002110	TUBO RILSAN 6X4 L=580	RILSAN HOSE D.6x4 L=580	TUYAU RILSAN D.6x4 L=580	SCHLAUCH 6x4 L=580
34	2017495	MEMBRANA VALVOLA SOFFIAGGIO	VALVE DIAPHRAGM	MEMBRANE CLAPET	VENTILDIAPHRAGMA
35	4196442	ATTACCO PORTAGOMMA 9889 1"-25	CONNECTION	ATTELAGE	VERBINDUNG
36	T2017906	GR.RACC. INNESTO RAP. + OR	QUICK UNION	RACCORD RAPIDE	SCHNELLKUPPLUNG
37	4198173	REGOLATORE 1/4" 0-3,5 BAR	REGULATOR 1/4" 0-3,5 BAR	REGULATEUR 1/4" 0-3,5 BAR	DRUCKREGLER 1/4" 0-3,5 BAR
38	4198884	RACCORDO 6510 1/4"-8 S.RAPIDO	UNION 6510 1/4"	RACCORD 6510 1/4"	ANSCHLUSS 6510 1/4"-8
39	T3000635	SPIRALE RILSAN 8X6 L=2300	RILSAN HOSE D.8x6 L=2300	SPIRALE RILSAN D.8x6 L=2300	SPIRALSCHLAUCH 8x6 L=2300
40	4398945	VITE AUTOPERFORANTE TCB 4x12,6	SCREW 4x12,6	VIS 4x12,6	SCHRAUBE 4x12,6
41	3012913	TUBO NL10 25/35 L=450	HOSE	TUYAU	SCHLAUCH
42	4399976	DADO M 8 6S ZNT 5588	NUT M8	ECROU M8	MUTTER M8
43	4198703	VALV.SIC.1/4"0/11 INAMOV.+ANELLO	SAFETY VALVE 1/4"	CLAPET DE SECURITE" 1/4"	SICHERHEITSVENTIL 1/4"
44	4198908	RACCORDO 2020 1/4" F/M	UNION 2020 1/4" F/M	RACCORD 2020 1/4" F/M	ANSCHLUSS 2020 1/4" F/M
45	4198578	RACCORDO 6520 1/4"-8/6 GIREV.	ROTATING UNION 1/4"-8/6	RACCORD 6520 1/4"8/6	VERSCHRAUBUNG 6520 1/4"-8/6
46	T3010798	TUBO RILSAN D. 8x6 L=440	RILSAN HOSE D. 8x6 L=440	TUYAU RILSAN D.8x6 L=440	RILSAN SCHLAUCH D.8x6 L=440
47	T2008872	GR.TUBO CENTR. GT L=1400	GT CONTROL UNIT HOSE L=1400	GR. TUYAU COM. GT L.1000	SCHLAUCH L=1400
48	4299000	ANELLO OR 9,8X3,85	O-RING 9,8x3,85	JOINT OR 9,8x3,85	O-RING 9,8x3,85
49	T2017491	GR.VALVOLA PNEUM. 1" COMPL.	PNEUM. VALVE UNIT 1"	GR. CLAPET PNEUM. 1"	DRUCKLUFTVENTIL 1"
50	4196357	CURVA 90' 1" F/F ART.2-ZNT	BEND 90' 1" F/F	COURBE 90' 1" F/F	ANSCHLUSS 90' 1" F/F
51	T4299069	MANOMETRO CEE D. 80	PRESSURE GAUGE CEE D.80	MANOMETRE CEE D.80	MANOMETER CEE D.80
51/A	T3015120	MANOMETRO D.80 1200KPA-170PSI	PRESSURE GAUGE D.80 1200KPA	MANOMETRE D.80 1200KPA	MANOMETER D.80 1200KPA
52	4198670	COLONNETTA 1/4" H=43	STUD BOLT 1/4" H=43	COLONNETTE 1/4" H=43	BUNDSCHRAUBE 1/4" H=43
53	4198435	VALV.SIC.1/8"0/4 BAR+RIV.+CAP.	SAFETY VALVE 1/8" 0/4 BAR	SOUPAPE SECURITE' 1/8" 0/4 BAR	SICHERHEITSVENTIL 1/8" 0/4BAR
54	4294755	ANELLO OR 2100 D.25,12x1,78	O-RING 2100 D.25,12x1,78	JOINT TORIQUE 2100 D.25,12x1,78	O-RING 2100 D.25,12x1,78
55	T3000144	TUBO RILSAN D. 8X6 L=910	RILSAN HOSE D.8x6 L=910	TUYAU RILSAN D.8x6 L=910	SCHLAUCH D.8x6 L=910

56	T6615108	LAMIERA ANTERIORE GT	GT FRONT SHEET	TOLE GT AVANT	GT VORDERBLECH
57	4399946	VITE TE 8x16 8.8 5739	SCREW M8x16 8.8	VIS M8x16 8.8	SCHRAUBE M8x16 8.8
58	T2014217	CENTR.PNEU. GT CE	GT PNEUM. CONTROL UNIT	UNITE' DE CONTROL PNEUM. GT	DRUCKLUFTEINHEIT GT
58/A	T2014797	CENTRAL.PN.GT 1200 KPA/PSI/BAR-REV	GT PNEUMATIC UNIT 1200 KPA	UNITE PNEUMATIQUE GT 1200 KPA	GT DRUCKLUFTEINHEIT 1200 KPA
59	T4299354	PULSANTE DI SCARICO	RELIEF PUSHBUTTON	BOUTON-POUSSOIR DE DECHARGE	ABLASSKNOPF
60	4399256	ROND. RAME 1/4" (13x19x1,5)	WASHER 1/4" D.13x19x1,5	RONDELLE 1/4" D.13x19x1,5	KUPFERSCHEIBE 1/4" D.13x19x1,5
61	T3015111	RIPARTITORE 4 VIE F1/4"	DISTRIBUTION FRAME	REPARTITEUR	VERTEILER
62	4198908	RACCORDO 2020 1/4" F/M	UNION 1/4"	RACCORD 1/4"	ANSCHLUSS 1/4"
63	4198883	RACCORDO S6500 1/4"-8 S.RAPIDO	QUICK UNION 1/4"	RACCORD RAPIDE 1/4"	RACCORD RAPIDE 1/4"
64	T6615109	LAMIERA POSTERIORE GT	GT BACK SHEET	TOLE GT ARRIERE	GT HINTERBLECH
65	4399903	RONDELLA 4	WASHER 4	RONDELLE 4	BEILAGSSCHEIBE 4
66	4398945	VITE AUTOPERFORANTE TCB 4x12,6	SELF-TAPPING SCREW 4x12,6	VIS AUTOTARADEUSE 4x12,6	BLECHSCHRAUBE 4x12,6
67	4399893	DADO AUTOBL.M 6 BASSO	ECROU DE VERROUILLAGE M6	SELF-LOCKING NUT M6	SELBSTSICHERNDE MUTTER M6
68	3008005	SUPP. VITE FINE CORSA-BRUN.	SUPPORT	SUPPORT	STUETZE
69	4196440	FASCETTA A COLLARE L20 32-35	BAND	COLLIER	BAENDCHEN
70	T4199191	TESTINA DI GONFIAGGIO	TETE DE GONFLAGE	INFLATING HEAD	AUFPUMPKOPF
71	4199026	ATTACCO RESCA 2P 1/4-8 CH.17(CON OR)	ATTELAGE	UNION	VERBINDUNGSSTUECK
72	T4197390	FASCETTA 100.013.2 (8-13) CON DADO	BANDE AVEC ECROU D.8x13	CLAMP D.8x13 H9	BAENDCHEN D.8x13 H9
73	T3008873	TUBO GONF. D.8x12 L=1400 RAGNO	TUYAU DE GONFLAGE 8x12 L=1400	INFLATING HOSE D.8x12 L=1400	AUFPUMPENROHR D.8x12 L=1400
74	4199842	RACCORDO 1610 1/8" 8 - 6	RACCORD 1/8" -8	UNION 1/8" -8	ANSCHLUSS 1/8" -8
75	4198993	RACCORDO 6512 1/8"-6 S.R.(DIRITTO+OR)	RACCORD RAPIDE 1/8"	QUICK UNION 1/8"	SCHNELLANSCHLUSS 1/8"

