



World Leader in Lift Systems

SmartLift™

Models

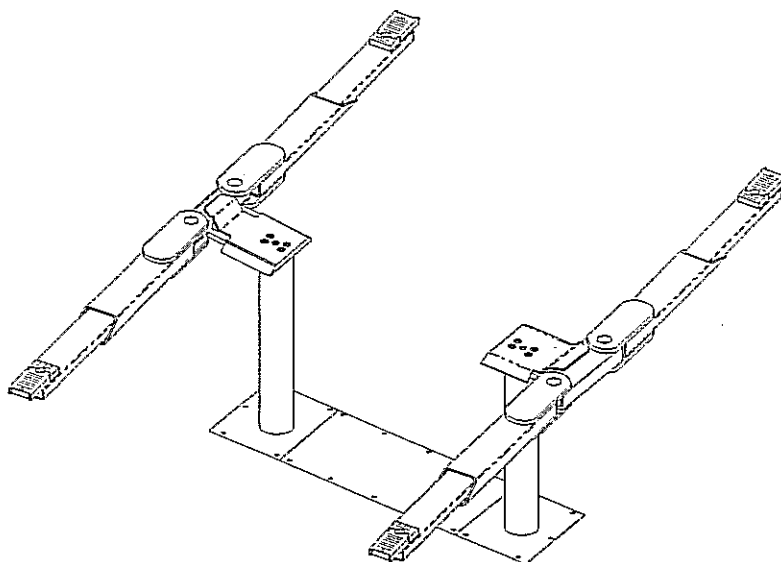
SL9 (SL90200) . Two-Plunger Frame Engaging Lift with Flip-up Adapters
(SL90206) . same as above except with 3ph. power unit

SL9-RA (SL90205) . Two-Plunger Frame Engaging Lift with Rubber Pad Adapters
(SL90209) . same as above except with 3ph. power unit

SL9-SPA (SL90202) . Two-Plunger Frame Engaging Lift with Adjustable Rubber Pads
(SL90211) . same as above except with 3ph. power unit

SL9-BU (SL90201) . Two-Plunger Base Unit Lift
(SL90207) . same as above except with 3ph. power unit

SL90204 Two-Plunger Frame Engaging Lift with Fixed Rubber Pads



IMPORTANT: When ordering parts or requesting service always give exact model and power unit serial number. Model number is shown on nameplate attached to air lock release valve. Power unit serial number is located on side of power unit reservoir.

NOTES:

- 1) On 1-5-98 changed superstructure and bolts from countersunk allen bolts (40482) to hex head cap screws.
- 2) On 1-5-98 changed latch release air valve and bracket , if converting FA2273-3 to current part, order kit (T100045).
- 3) On 1-19-98 changed locking latch bar. Replacing locking latch bar on lifts shipped before 1-19-98 order kit (T100046).

OWNERS RECORD

Complete information at right and keep in a safe place.

Date Installed ____/____/____

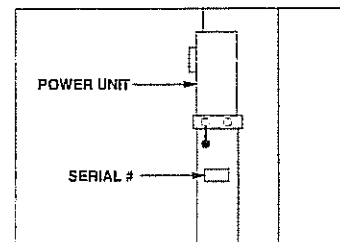
Installed In Bay # _____

Std. Pwr.Unit Serial # _____ Model # _____

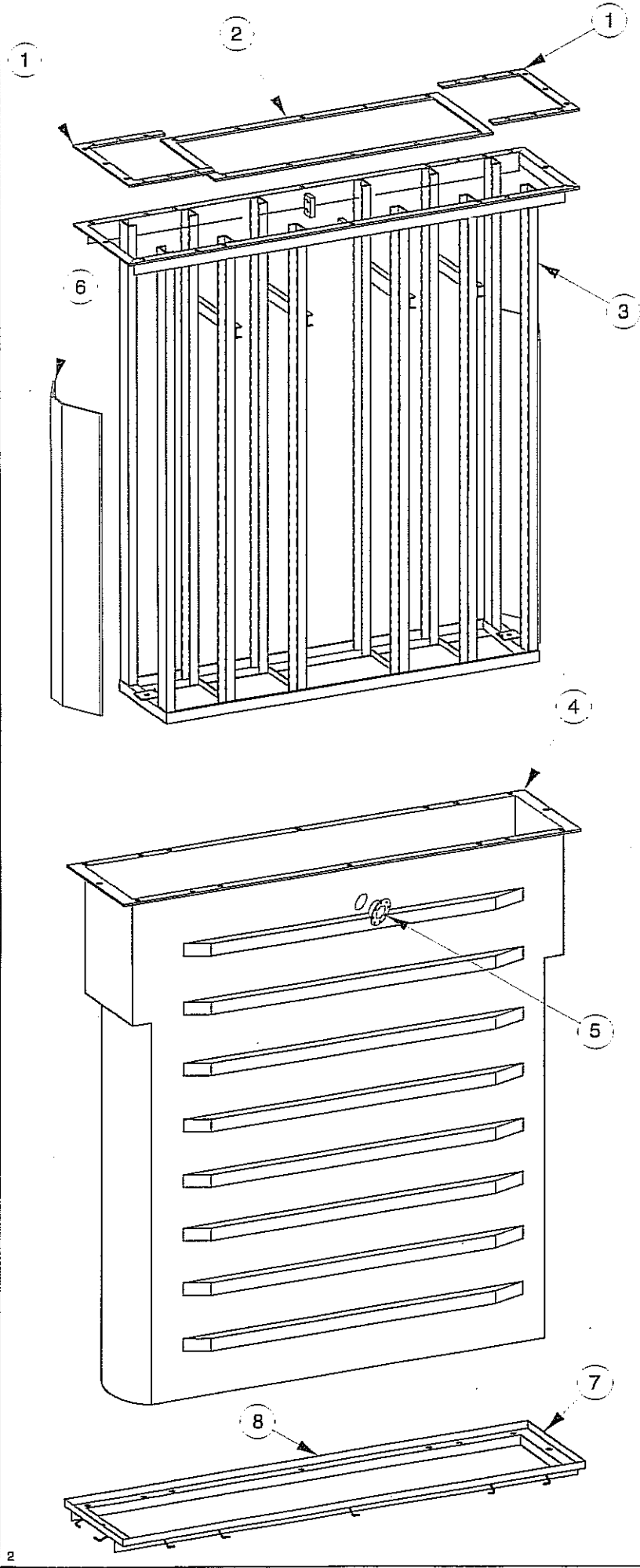
3 ph. Pwr. Unit.Serial # _____ Model # _____

Lift Serial # _____

Model No# _____



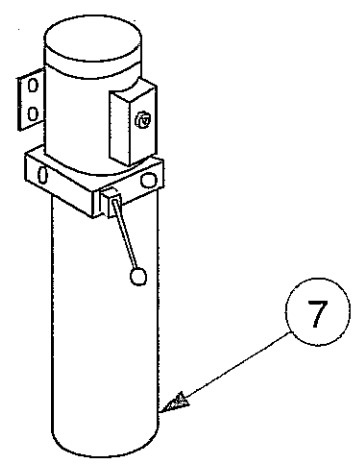
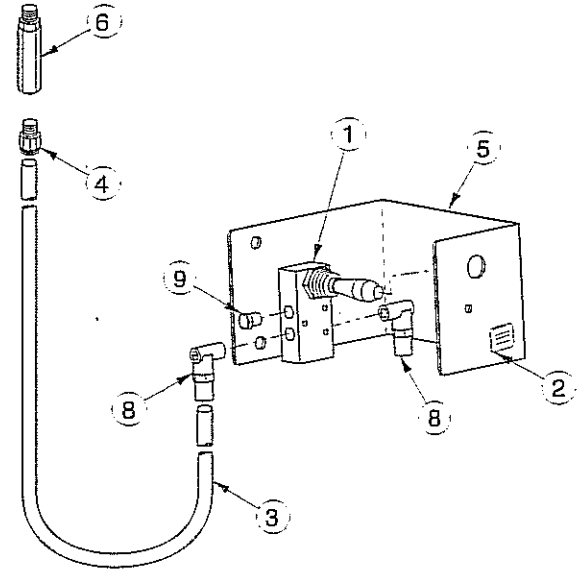
NOTE: For Replacement Parts See Your Nearest Rotary Parts Distributor.

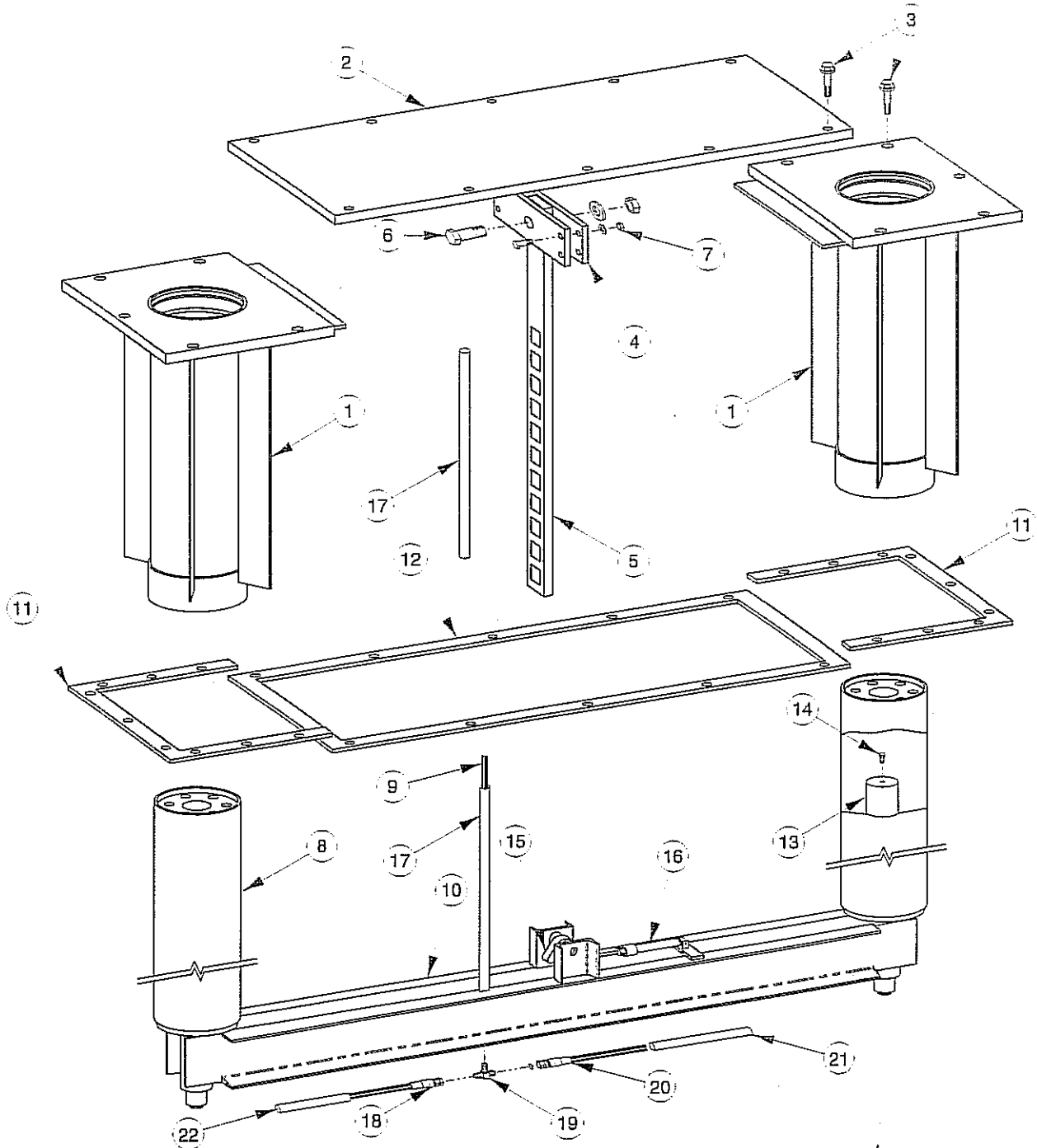


SL9 EXTERNAL PARTS LIST		
ITEM NO.	DESCRIPTION	PARTS
1	Gasket End	T140020
2	Gasket Center	T140019
3	Frame	T120036
4	Tube	T130016
5	2" Uniseal	T140023
6	Side Sheet	T130087
7	Concrete Anchor Frame (end section)	T120038
8	Concrete Anchor Frame (side section)	T120070

SL9 AIR VALVE/POWER UNIT PARTS LIST		
ITEM NO.	DESCRIPTION	PARTS
1*	Air Valve	Ⓟ T140073
2	Nameplate	NP280
3	1/4" Tubing	FA2273-4
4	1/4" Push-in 1/4" NPT Fitting	
5*	Control Assembly Bracket	Ⓟ T130187
6	Filter	FA3134-12
7	Power Unit (single phase)	P752
	Power Unit (three phase)	P753
8	90° Swivel Elbow	Ⓟ T140074
9	Brass Filter	Ⓟ T140075

* See note #2 on front cover.





SL9 INTERNAL PARTS LIST

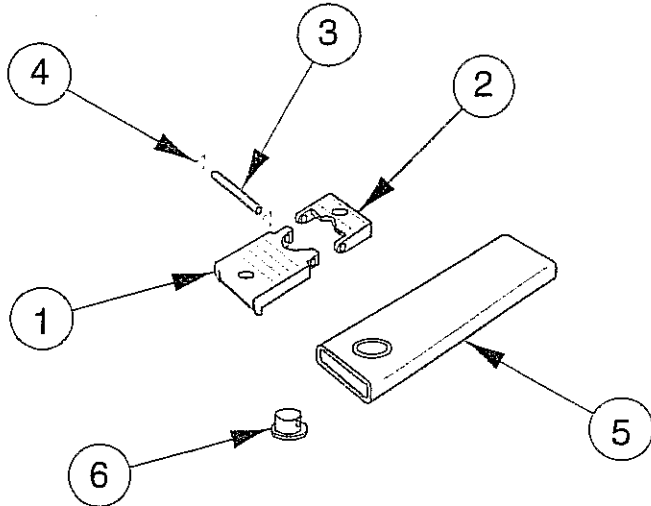
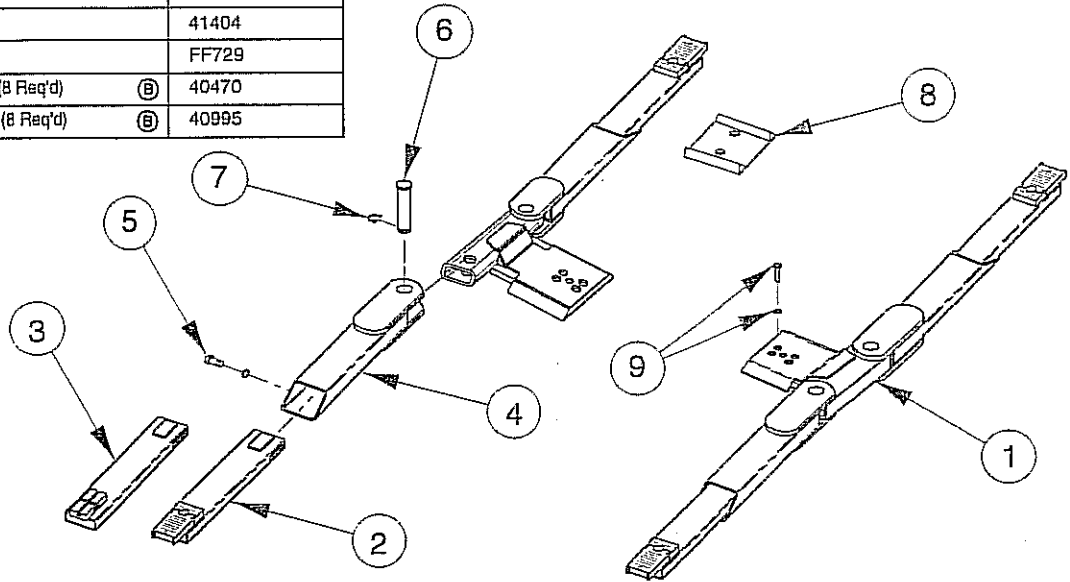
ITEM NO.	DESCRIPTION	PARTS	ITEM NO.	DESCRIPTION	PARTS
1	Gulda Assembly	T110020	12	Gasket Center	T140019
2	Cover Plate	T120055	13	Hydraulic Cylinder	FJ7664
3	1/2"-13NC x 2" Lg. Self Tap FHCS	Ⓟ 40268	14	Bleeder Screw (specify manufacturer)	2 Req'd
4	Latch Bar Plate	T130003	15	Locking Latch	T130015
5 *	Latch Bar	Ⓟ T120094	16	Air Cylinder	T140062
6	7/8"-9NC x 3" Lg. HHCS, Gr. 5, Zn. P/L	40497	17	PVC Pipe	T140028
	7/8"-9NC Hex Nut	40765	18	25" Hose	T140025
	7/8" Ext. Lock Washer	41070	19	Tee Adapter	T140029
7	1/2"-13NC x 2 1/2" Lg. HHCS	40330	20	34" Hose	T140027
	1/2"-13NC Hex Nut	40680	21	Long Hose Cover	Ⓟ T130192
	1/2" Ext. Lock Washer	40880	22	Short Hose Cover	Ⓟ T130193
8	Plunger	T120079	Not Shown	Air Hose	T140030
9	Hose	T140026	Not Shown	Mobil 1Ⓢ Grease	Ⓟ T140072
10	Equalizer	T120050			
11	Gasket End	T140020			

* See note #3 on front cover

SL9 SWING ARM SUPERSTRUCTURE PARTS LIST

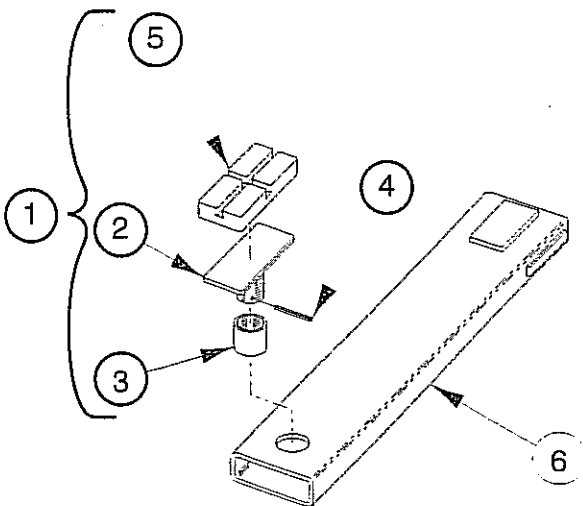
ITEM NO.	DESCRIPTION	PARTS
1 *	Yoke	T120098
2	Inner Tube with Flip-Up Adapter	FJ7150-2
3	Inner Tube with Rubber Pad Adapter	FJ7866-1
	Outer Tube	T120068
5	$\frac{3}{8}$ "-16NC x $\frac{5}{8}$ " HHCS Gd. 8 Plt. (4 Req'd)	40155
	$\frac{3}{8}$ " Internal Tooth Lock Washer (4 Req'd)	40B43
6	Arm Pin	T130066
7	Truarc #5100-187	41404
8	Wheel Spotting Dish	FF729
9 *	$\frac{3}{4}$ "-10NC x 3" HHCS Gr. 5 (8 Req'd)	ⓑ 40470
	$\frac{3}{4}$ " Ext. Tooth Lock Washer (8 Req'd)	ⓑ 40995

* See note #1 on front cover.



SL9 FLIP-UP ADAPTER PARTS LIST

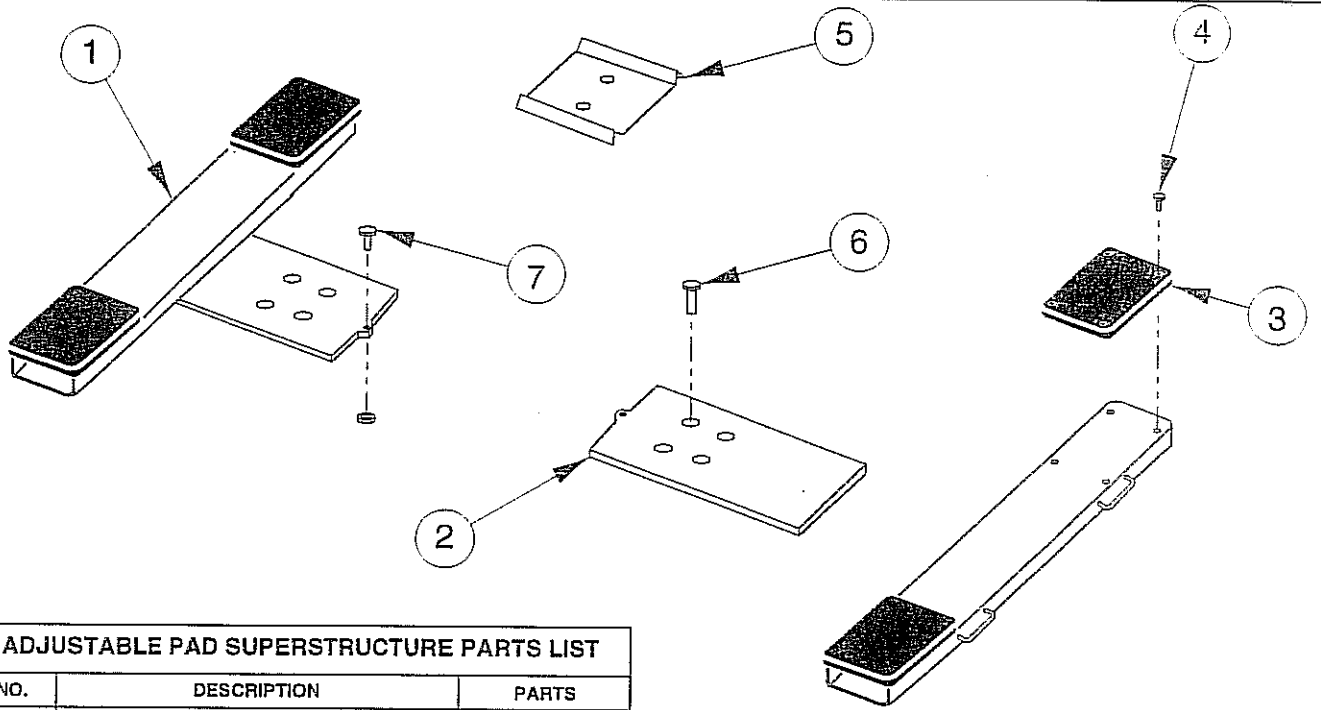
ITEM NO.	DESCRIPTION	PARTS
1	Adapter High Step	FJ671-1
2	Adapter Low Step	FJ671-2
3	Adapter Pin	FJ671-3
4	Hog Ring Clips	FJ671-6
5	Inner Arm Tube	T120025
6	Adapter Swivel Pin	FJ79-6



SL9 RUBBER PAD ADAPTER PARTS LIST

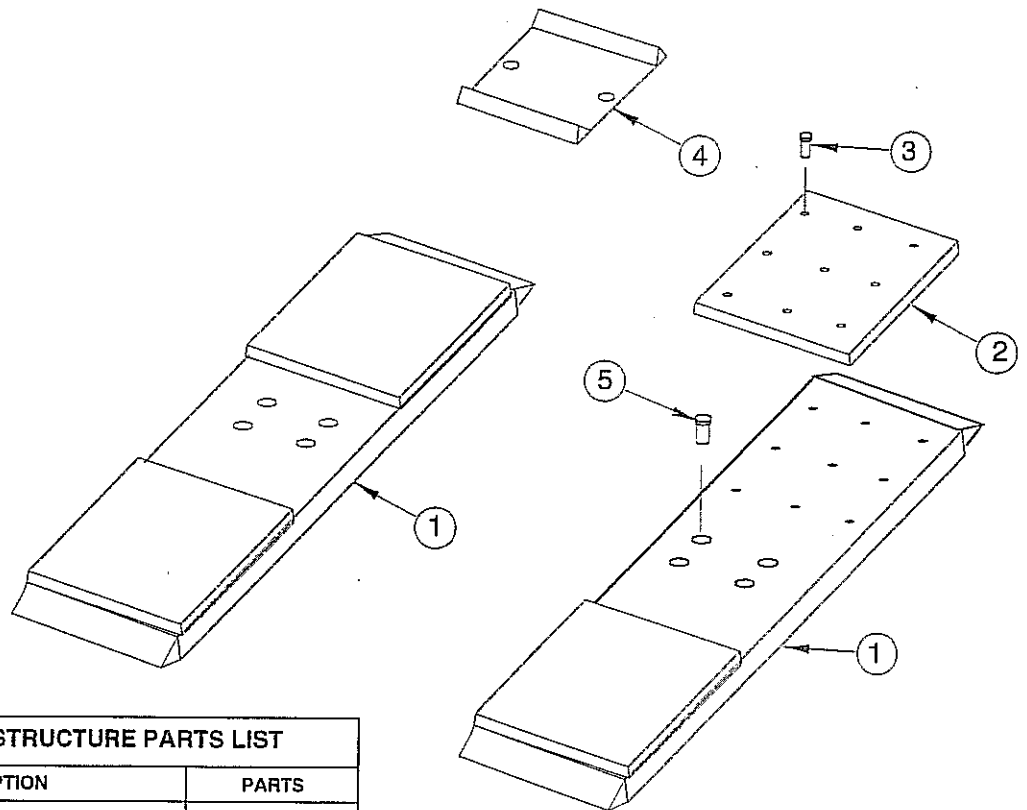
ITEM NO.	DESCRIPTION	PARTS
1	Adapter Assembly (consists of PC's 2, 3, 4 & 5)	FJ6125
2	Rectangular Adapter Weldment	FJ7859
3	Insert	FJ7864-3
4	$\frac{1}{8}$ " x $1\frac{1}{2}$ " Roll Pin (4 Req'd)	14451
5	Adapter Pad	FJ7735-2
6	Inner Tube with Rubber Pad Adapter *	FJ7866-1

* Includes Items ② ③ ④ & ⑤.



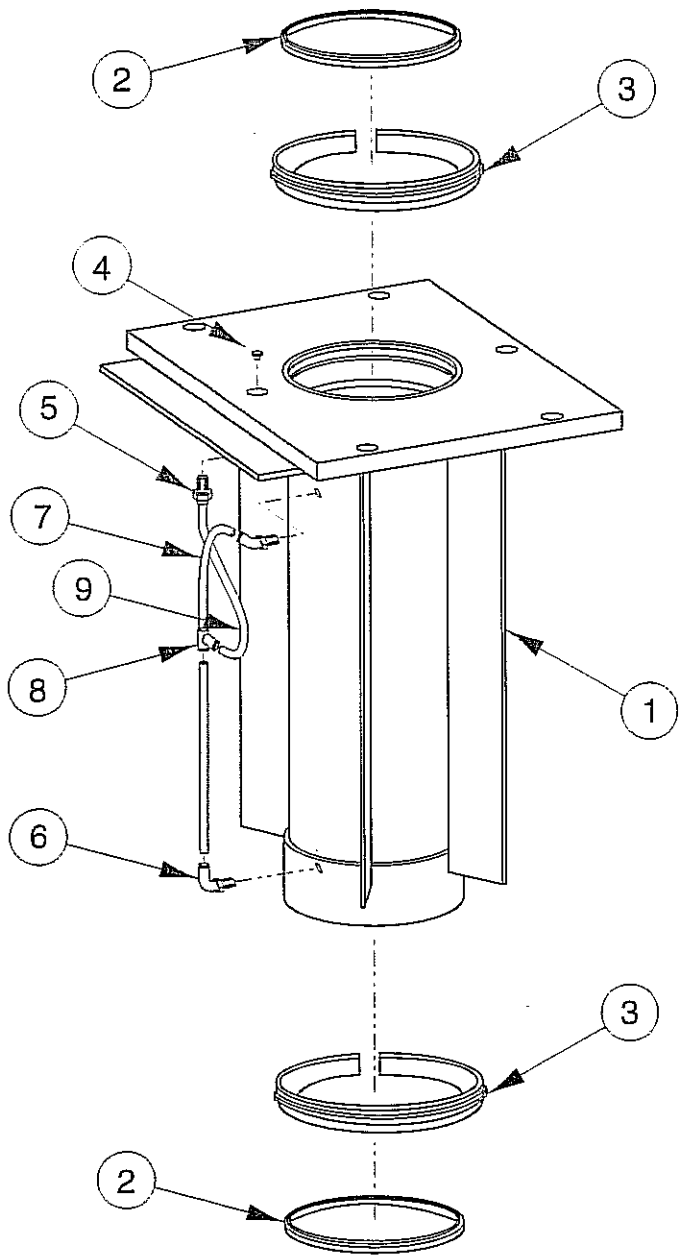
SL9 ADJUSTABLE PAD SUPERSTRUCTURE PARTS LIST

ITEM NO.	DESCRIPTION	PARTS
1	Pad and Support Assembly	FJ2193
2	Yoke	T120082
3	Rubber Pad	FJ2177-2
4	1/2" x 1" SD812BS Blind Pop Rivets (6 Req'd each pad)	41351
5	Wheel Spotting Dish	FF729
6	3/4"-10NC x 3" Soc. FL C'Sunk Hd CS (8 Req'd)	40482
7	3/8"-16NC x 5/8" HHCS Gd. 8 Plt. (2 Req'd)	40155
	3/8"-16NC Hex Nut (2 Req'd)	40660



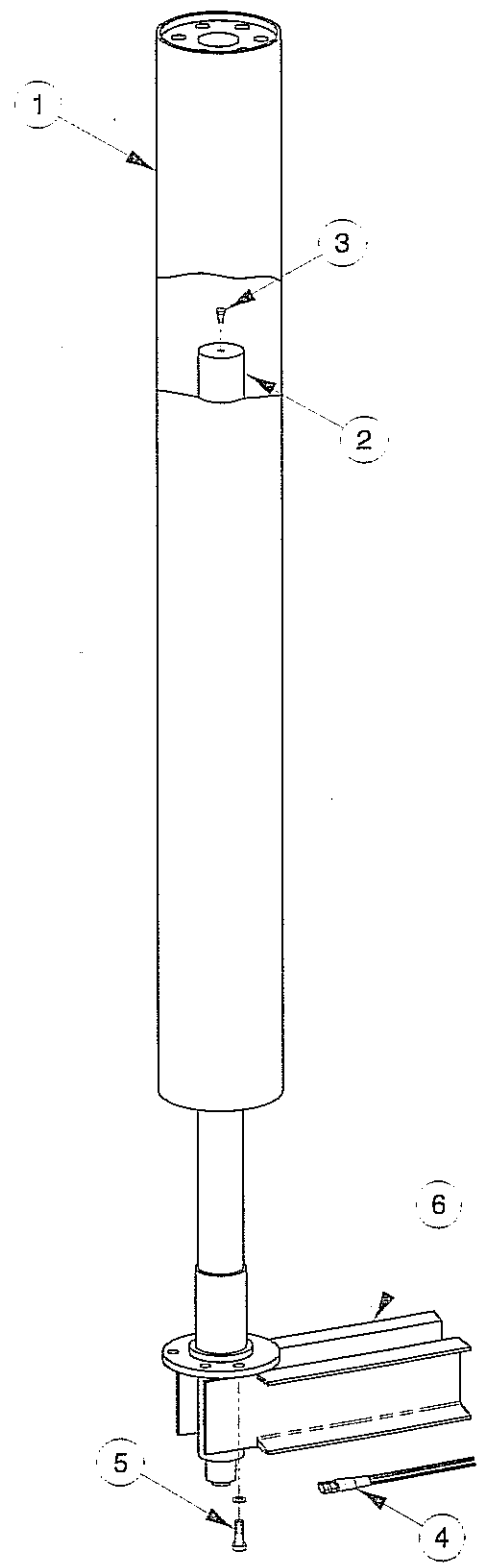
SL9 FIXED PAD SUPERSTRUCTURE PARTS LIST

ITEM NO.	DESCRIPTION	PARTS
1	Pad Assembly	T110040
2	Rubber Pad	FJ2252-5
3	1/2" x 1" SD812BS Blind Pop Rivets (6 Req'd each pad)	41351
4	Wheel Spotting Dish	FF729
5	3/4"-10NC x 3" Hex Hd CS (8 Req'd)	40470

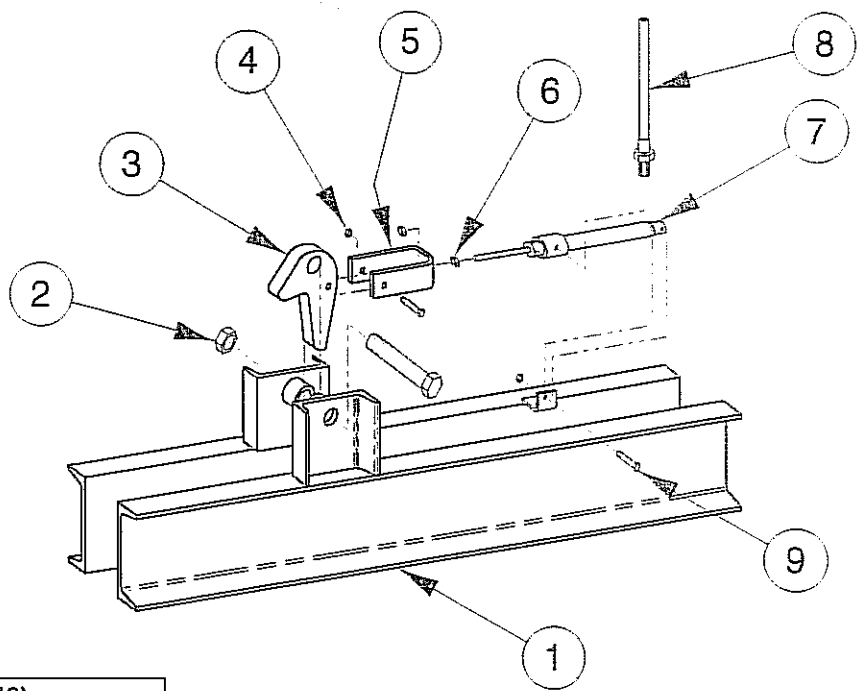


PLUNGER ASSEMBLY		
ITEM NO.	DESCRIPTION	PARTS
1	Plunger	T120079
2	Hydraulic Cylinder	FJ7664
3	Bleeder Screw (specify manufacturer)	2 Req'd
4	Hose	T140025
5	1/2"-13NC x 2" Lg. Soc. Hd. Cap Screw	40317
	1/2" Ext. Lock Washer	40880
6	Equalizer	T120050

ⓑ



GUIDE BARREL ASSEMBLY (T110020)		
ITEM NO.	DESCRIPTION	PARTS
1	Bearing Assembly	T120051
2	Wiper	ⓑ T140076
3	Bearing	T140054
4	Grease/Zerk Fitting	T140007
5	Male Connector	ⓑ FC5225-47
6	Male Elbow Connector	ⓑ FA3134-6
7	1/4" Nylon Tube 9 1/2" Lg.	ⓑ T130189
8	Union Tee	ⓑ FC5225-46
9	1/4" Nylon Tube 11 1/8" Lg.	ⓑ T130191



EQUALIZER ASSEMBLY (T110019)

ITEM NO.	DESCRIPTION	PARTS
1	Equalizer	T120050
2	$\frac{3}{4}$ "-10NC x $4\frac{1}{2}$ " Lg. HHCS. Zn. Plt. Gd. 5	40457
	$\frac{3}{4}$ "-10NC Nylon Insert Hex Lock Nut	40790
3	Locking Latch	T130015
4	$\frac{1}{4}$ "-20NC x $1\frac{1}{2}$ " Lg. HHCS.	40110
	$\frac{1}{4}$ "-20NC Hex Lock Nut	41423
5	Clevis	T130014
6	$\frac{1}{4}$ "-2BNF Hex Nut	40648
7	Air Cylinder	T140062
8	Air Coil Hose	T140030
9	$\frac{1}{4}$ "-20NC x $1\frac{1}{2}$ " Lg. HHCS.	40115
	$\frac{1}{4}$ "-20NC Hex Nylon Insert Lock Nut	40642

HYDRAULIC and AIR LINE CONNECTION

ITEM NO.	DESCRIPTION	PARTS
1	$\frac{7}{8}$ "-9NC x 3" Lg. HHCS Gr. 5 Zn Plt	40497
	$\frac{7}{8}$ "-9NC Hex Nut	40765
	$\frac{7}{8}$ " Ext. Lock Washer	41070
2	Air Coil Hose	T140030
3	Hydraulic Hose	T140026
4	Locking Latch Bar	T130001

