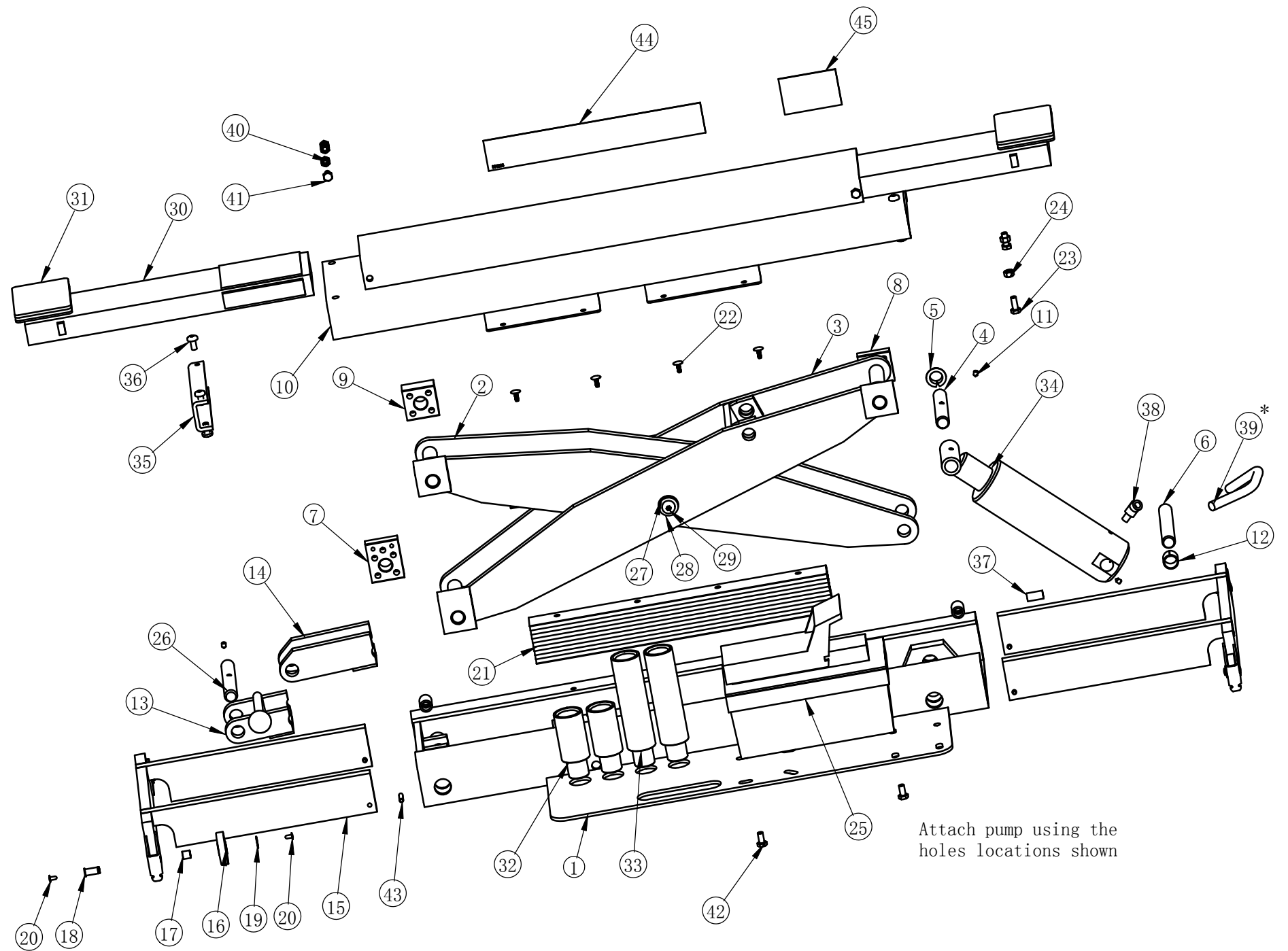


46	LP20572	Literature Package	1	
45	NP909	lable	1	
44	NP1064	lable	1	
43	SB700060Y	elastic cylindrical pin $\Phi 6 \times 25$	4	
42	41535	M8 x 14 hex head bolt	2	
41	911721	5/16"-18 x 1/2" hex head bolt	4	
40	911701	5/16"-18 hex nut	4	
39	RJ7000-9801-1	hose	1	
38	FC5185-45	45° joint	1	
37	RJ7000-9802-1	joint	1	
36	GB/T70.2	socket head screw discal head M8 x 16	8	
35	RJ70-1101	arm cover plate	2	
34	SB700027Y	scylinder	1	
33	dp9-7003	6" adapter	2	
32	dp9-7002	3" adapter	2	
31	AJ-6003	swivel pad weldment	2	
30	RJ70-3100	arm weldment	2	
29	GB/T70.2	socket head screw discal head M10 x 20	2	
28	SB500127Y-2	washer	2	
27	SB500127Y-1	pin	1	
26	SB500080Y	pin	1	
25	FC5972	pump	1	
24	41563	hex nylon insert locknut M8	2	
23	41462	hex head bolt M8 x 20	2	
22	FC5185-69	retainer	16	
21	FC5144-1	guard	2	
20	SB700001Y	bumper	8	
19	SB700002Y	retaining ring	4	
18	AJ-6501	shaft	4	
17	SB700003Y	wheel bearing	4	
16	SB700005Y	urethane wheel	4	
15	SB300082Y	telescoping end weldment	2	
14	SB300061Y	long dog weldment	1	
13	SB300066Y	short dog weldment	1	
12	SB700057Y	bearing	2	
11	40064	1/4"-20NC x 3/8" six pyramid end locking screw	3	
10	RJ70-1100	top channel weldment	1	
9	SB700031Y	slider	2	
8	SB700030Y	top slider	2	
7	SB700036Y	tall slider	2	
6	SB500084Y	lower cylinder shaft	1	
5	SB700059Y	bearing	6	
4	SB500083Y	upper cylinder shaft	1	
3	SB300080Y	outer link weldment	1	
2	SB300079Y	inner link weldment	1	
1	SB300077Y	bottom channel weldment	1	
ITEM	Part NO.	Description	QTY	Remark



Notes:
1. Color of Jack should be black.
*2. Position hose to assure hose + fitting do not contact the Top Channel when completely lowered

					RRJ70G Assembly				RRJ70G
A	8152	HJ/ST	3-1-12						
-	8069.1	HJ/ST	11-11-11						
标记 (REV)	处数 (QTY)	更改文件 (CO. NUM)	签字 (BY)	日期 (DATE)	图样标记 (PHASE TAG)	数量 (QTY)	重量 (WEIGHT)	比例 (SCALE)	
设计 (DESIGN)			标准化 (STANDARD)						
校对 (VERIFY)			审定 (APPROVED)						
审核 (CHECK)						1			
工艺 (TECHNICS)			日期 (DATE)		共 页 (ALL NO.)	第 页 (SHEET NO.)	Rotary Lift Consolidated (Haimen) Co., Ltd		

Rotary 品牌未注公差
角度公差: ±1°
其他尺寸公差: ±0.8mm (<305mm)
±1.6mm (≥305mm)