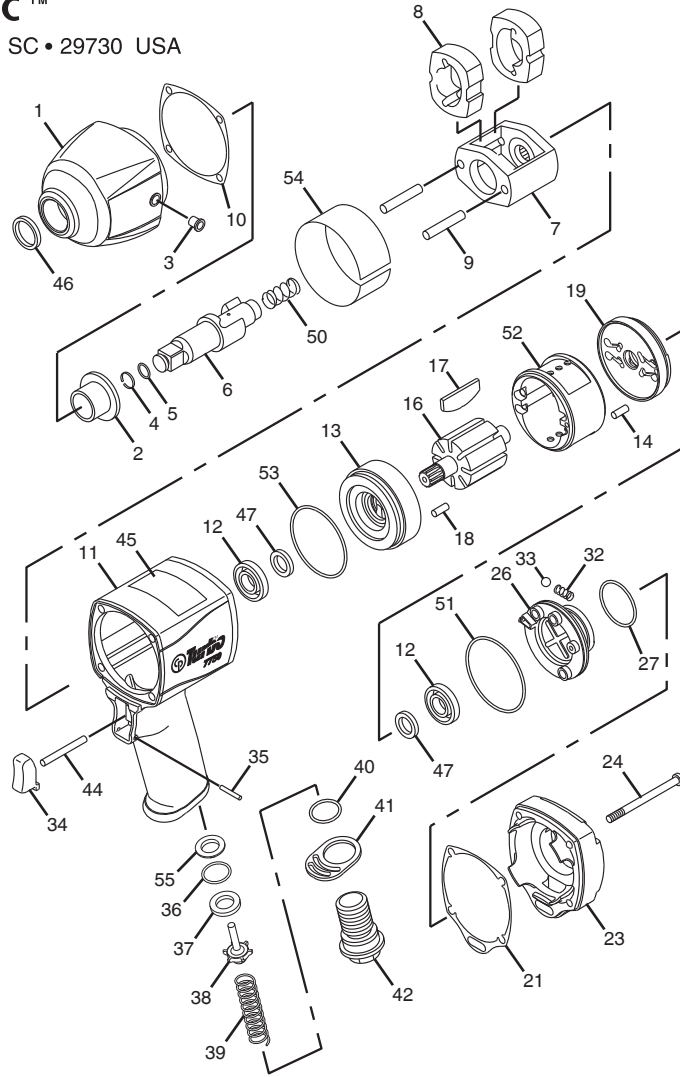




Chicago Pneumatic™

1800 Overview Drive • Rock Hill SC • 29730 USA

CP7750 Series
Impact Wrench Model A & B



Index No.	Part No.	Description	No. Req'd.	Index No.	Part No.	Description	No. Req'd.
1	CA158178	Clutch Housing	1	34	8940158538	Trigger	1
2	CA158133	Clutch Housing Bushing	1	35	CA144836	Spring Pin	1
3	C102507	Plug-Pipe	1	36	CA149096	O-Ring	1
4	CA088097	Socket Ret. Ring	1	37	C139037	Valve Seat	1
5	P083071	O-Ring (-011)	1	38	CA156876	Valve	1
6	CA148609	1/2" Anvil Assembly(Incl: Index Nos. 4 & 5)	1	39	CA142464	Valve Spring	1
	CA148629	1/2" Ext Anvil Assembly(Incl: Index Nos. 4 & 5)		40	8940158319	O-Ring	1
7	CA155733	Cage-Clutch	1	41	CA158124	Deflector	1
8	CA155055	Dog	2	42	CA158120	Inlet Bushing	1
9	CA158036	Pin-Clutch	2	44	8940158622	Pin Throttle Push	1
10	CA158125	Clutch Housing Gasket	1	45	8940158321	Warning Label /Nameplate CP7750	1
11	CA158175	Motor Housing w/Overmold	1		8940158428	Warning Label /Nameplate CP7750-2	1
12	C066342	Ball Bearing	2	46	8940158589	Seal-Clutch (Model A)	
13	CA158127	Front End Plate	1	47	CA087513	Seal-Oil (Model A)	
14	C089721	Spring Pin	1	50	CA154959	Spring	
16	CA158116	Rotor	1	51	8940158324	O-Ring	1
17	8940158325	Rotor Blade Set (8)	1	52	8940158848	Liner	1
18	8940158623	Spring Pin	1	53	8940158322	O-Ring	1
19	CA158128	Rear End Plate	1	54	CA154960	Sleeve-Steel	1
21	CA158126	Back Cap Gasket	1	55	CA149095	Spacer	1
23	CA158119	Back Cap	1				
24	CA158039	Torx Screw	4				
26	CA158130	Switch	1				
27	8940158323	O-Ring	1				
32	8940158883	Spring	1				
33	S008613	Steel Ball	1				
				Tune-Up Kit (Model A)			
				8940158371 (Incl: Index Nos. 4, 5, 10, 17, 21, 27, 32, 33, 36, 37, 40, 46 & 47)			
				Repair Kit (CP7750 Model A)			
				8940158372 (Incl: Index Nos. 6, 8, 9, 10, 17, 21, 27, 29, 32, 33, 36, 37, 39, 40, 46 & 47)			
				Repair Kit (CP7750-2 Model A)			
				8940158373 (Incl: Index Nos. 6, 8, 9, 10, 17, 21, 27, 32, 33, 36, 37, 39, 40, 46 & 47)			