



# CEMB

S.p.A.

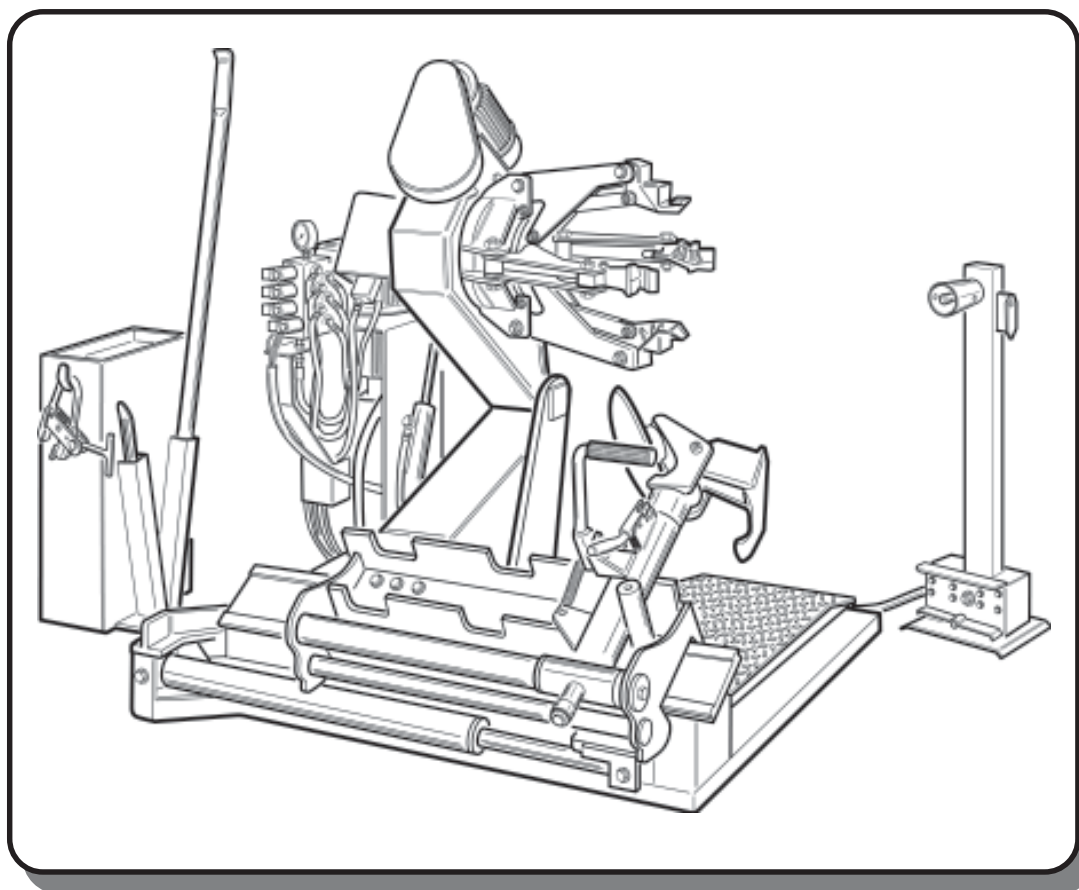
CM 27 T

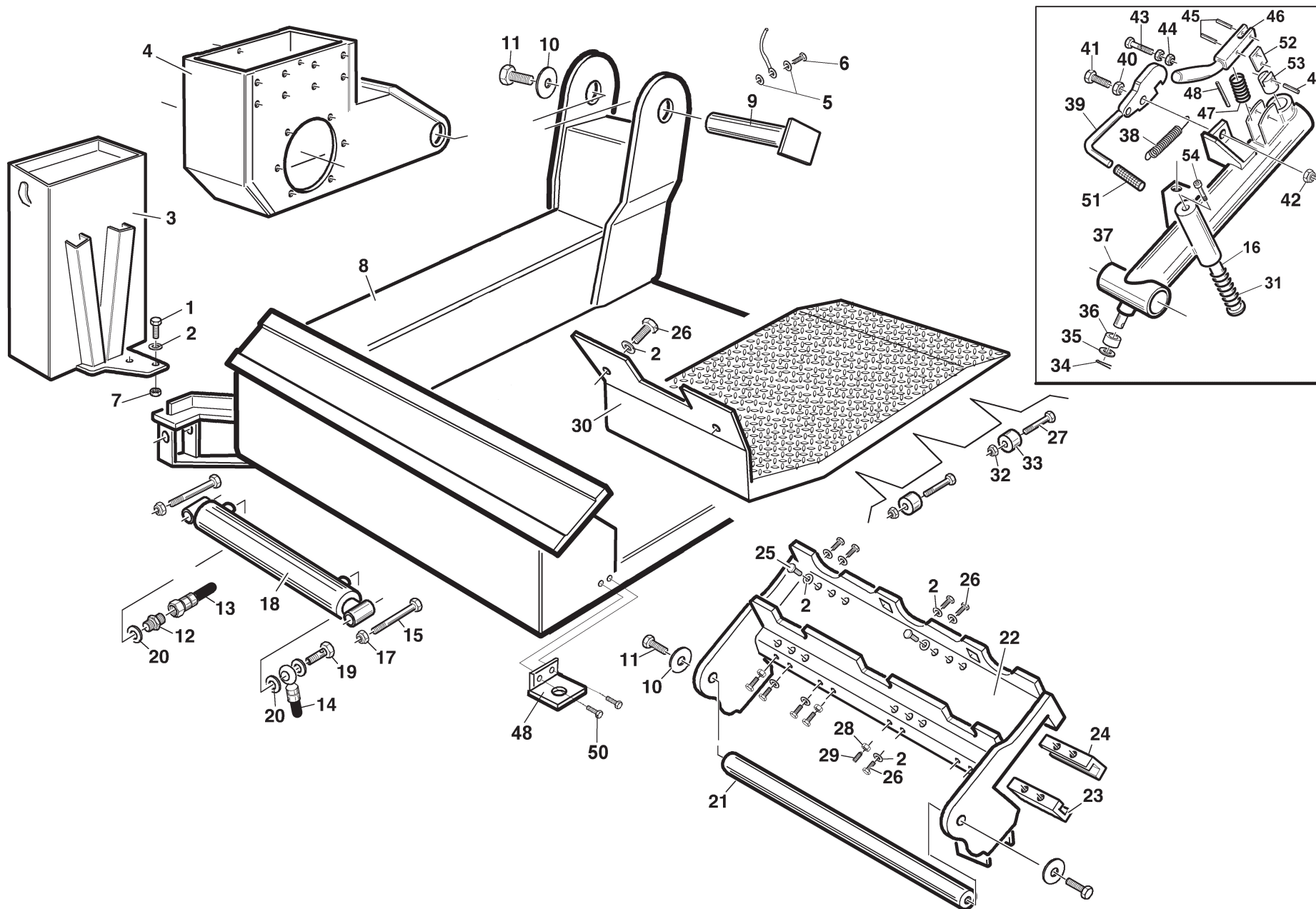
Cod. 3011745

CATALOGO RICAMBI ORIGINALI - ORIGINAL SPARE PARTS

CATALOGUE PIECES D'ORIGINE - ORIGINALSATZTEILE

Ed. 01/2008





# TELAIO - CHÂSSIS - FRAME - RAHMEN

ED. 01/08

TAV. 1.0

Rif	Code	Descrizione	Description	Description	Beschreibung
1	4399880	VITE TE 10x40	SCREW TE 10x40	VIS TE 10x40	SCHRAUBE TE 10x40
2	4399378	RONDELLA 10 (10,5x21x2)ZNT6592	WASHER D.10 (10,5x21x2)	RONDELLE D.10 (10,5x21x2)	SCHEIBE D.10 (10,5x21x2)
3	6611330	SUPP. DOTAZ. 557 -NERO	SUPPORT	SUPPORT	STÜTZE
4	2113967	BRACCIO M. 556-7-BLU R.5015	CHUCK	MANDRIN	SPANNFUTTER
5	4399288	ROND. DEN.ES."A" 6,4x11x0,7	TOOTHED WASHER 6,4x11x0,7	RONDELLE DENTEE 6,4x11x0,7	ZAHNSCHEIBE 6,4x11x0,7
6	4398273	VITE AUTOF. TCEI 5,5x19	SELF-TAPPING SCREW TCEI 5,5x19	VIS AUTOTARADEUSE TCEI 5,5x19	BLECHSCHRAUBE 5,5x19
7	4399969	DADO M10 ALTO	NUT M10	ECROU M10	MUTTER M10
8	2110924	BASAMENTO	BASE	EMBASE	GRUNDGESTELL
9	2109519	PERNO BRACCIO AUTOC. S.554	BEAD BREAKING ARM PIN	AXE BRAS AUTOC.	SELBSTZENTRIERARMSTIFT
10	3001067	RONDELLA FERMOASTA E PERNO	WASHER	RONDELLE D'ARRET TIGE ET AXE	SCHEIBE
11	4399302	VITE TE 14x30 8.8 5739	SCREW 14x30 8.8	VIS 14x30 8.8	SCHRAUBE TE 14x30 8.8
12	4199257	NIPPLO IDR. 1/4"-h.7mm	NIPPLE 1/4" - h.7 mm.	NIPPLE 1/4" - h. 7 mm.	ANSCHLUSS 1/4"- H.7 mm.
13	3011274	TUBO A 1/4"L=1550 CARRELLO 556	HOSE "A" 1/4" L=1550	TUYAU "A" 1/4" L=1550	SCHLAUCH "A" 1/4" L=1550
14	3011282	TUBO B 1/4"L=2150 CARRELLO 556	HOSE "B" 1/4" L=2150	TUYAU "B" 1/4" L=2150	SCHLAUCH "B" 1/4" L=2150
15	4399945	VITE TE 16x100 8.8 P.F. 5737	VIS M16x100 8.8	VIS M16x100 8.8	SCHRAUBE M16x100 8.8
16	3018125	ESPULSORE	EXPELLER	EJECTEUR	AUSWERFER
17	4399963	DADO AUTOBL.M16 BASSO.6S. 7474	SELF-LOCKING NUT M16	ECROU A' BLOCAGE AUTOM. M16	SELBSTSICHERNDE MUTTER M16
18	6609462	CILINDRO LUNGO D.50 C=600 NERO	LONG CYLINDER D.50 C=600	VERIN LONG D.50 C.600	LANGZYLINDER D.50 C=600
19	4199249	BULLONE RACCORDO FORATO 1/4"	BOLT 1/4"	BOULON 1/4"	ANSCHLUSSBOLZEN 1/4"
20	4399256	ROND. RAME 1/4" (13x19x1,5)	COPPER WASHER 1/4" D.13x19x1,5	RONDELLE EN CUIVRE 1/4" D.13x19	KUPFERSCHEIBE 1/4" D.13x19x1,5
21	3009544	ASTA BRACCIO PORTAUT.	TOOL-HOLDER SHAFT	TIGE BRAS PORTE-OUTIL	WERKZEUGTRAGARMSTANGE
22	2118150	CARRELLO 557-BLU R.5015	CARRIAGE	CHARIOT	FAHRGESTELL
23	3013889	PATTINO INF.CARRELLO 554-6	CARRIAGE SLIDE	PATIN POUR CHARIOT	FAHRGESTELLSCHLITTEN
24	3013888	PATTINO SUP.CARRELLO 554-6	CARRIAGE SLIDE	PATIN POUR CHARIOT	FAHRGESTELLSCHLITTEN
25	4399951	VITE TE 10x35 8.8 5739	SCREW TE 10x35 8.8	VIS TE 10x35 8.8	SCHRAUBE TE 10x35 8.8
26	4399228	VITE TE 10x25 8.8 5739	SCREW TE 10x25 8.8	VIS TE 10x25 8.8	SCHRAUBE TE 10x25 8.8
27	4396677	VITE TCEI M 8x85 8.8 5931	SCREW TCEI 8x85 8.8	VIS TCEI 8x85 8.8	SCHRAUBE TCEI 8x85 8.8
28	4399967	DADO M10 6S BASSO ZNT 5589	NUT M10	ECROU M10	MUTTER M10
29	4398849	VITE STEI 10x16 P.P. 5923	SCREW M10x16	VIS M10x16	SCHRAUBE M10x16
30	6611180	RAMPA 556-NERO	RAMP	RAMPE	RAMPE
31	3001038	MOLLA ESPULSIONE BRACCIO	SPRING	RESSORT	FEDER

# TELAIO - CHÂSSIS - FRAME - RAHMEN

ED. 01/08

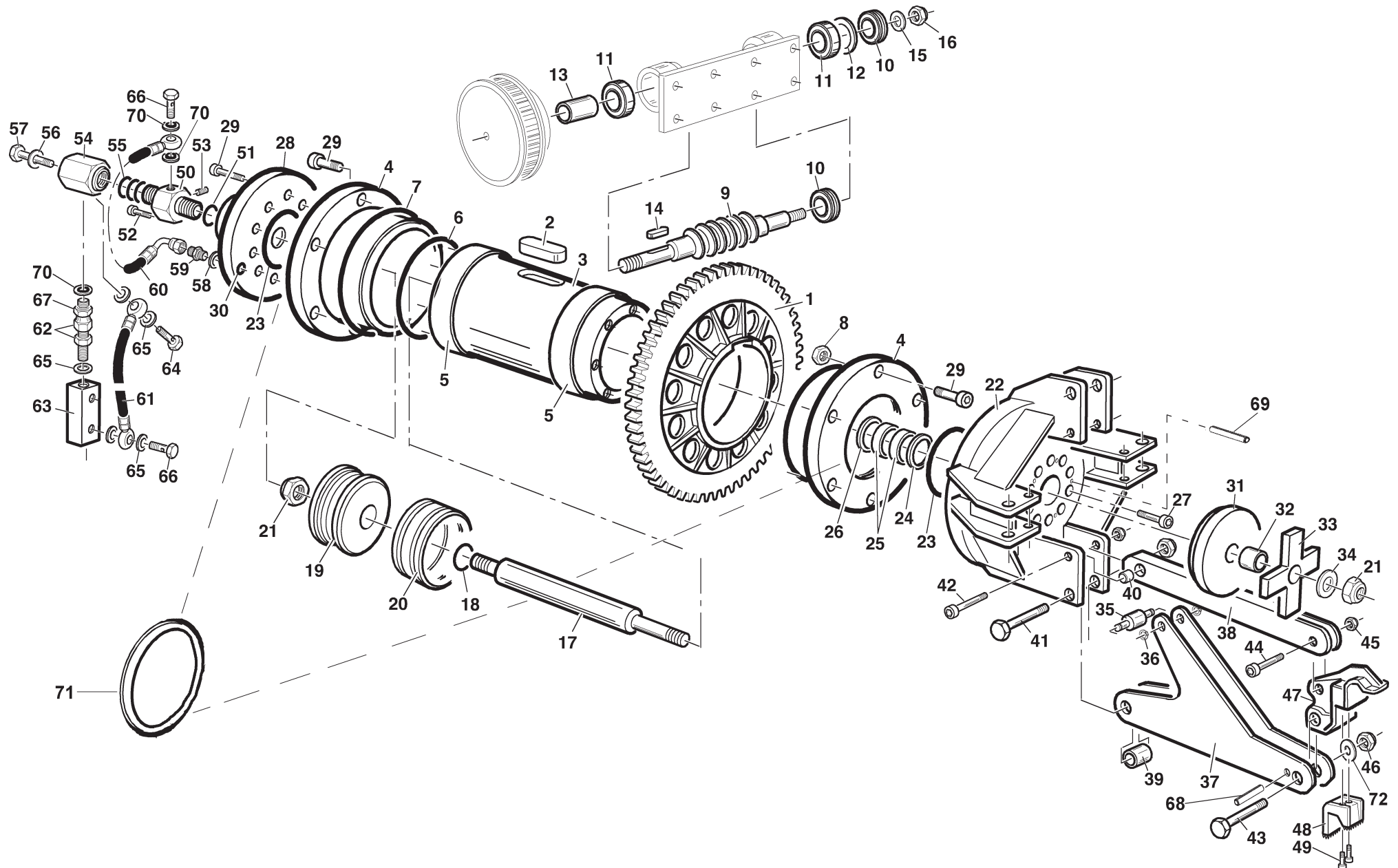
TAV. 1.0

32	4399900	DADO AUTOBL.M 8 BASSO 6.S 7474	SELF-LOCKING NUT M8	ECROU A' BLOCAGE AUTOMAT. M8	SELBSTSPERRENDE MUTTER M8
33	3011186	RUOTA PEDANA S.556	WHEEL	GALET	RAD
34	4399192	COPIGLIA D. 4X36 ZNT 1336	SPLIT PIN D.4x36	GOUPILLE D.4x36	SPLINT D.4x36
35	4399813	RONDELLA 20 (21x37x3) ZNT 6592	WASHER 20 (21x37x3)	RONDELLE 20 (21x37x3)	SCHEIBE 20 (21x37x3)
36	3001039	RULLO FERMO BRACCIO	ROLLER	RONDELLE ARRET BRAS	WALZE
37	6618146	BRACCIO UTENS. 557-NERO	TOOLARM	BRAS OUTIL	WERKZEUGARM
38	3000114	MOLLA BRACCIO STALLONATORE	BEAD BREAKING ARM SPRING	RESSORT BRAS DECOLLEUR	WULSTABDRUECKERFEDER
39	2109539	GANCIO MANUALE -BRUNITO	HOOK	CROCHET	HAKEN
40	3001031	ECCENTRICO CRICCHETTO -BRUNITO	CAM	EXCENTRIQUE POUR CLIQUET	BOHRKNARRENOCKEN
41	4397334	VITE TE 18x65 8.8 5737	SCREW TE 18x65 8.8	VIS 18x65 8.8	SCHRAUBE 18x65 8.8
42	4398725	DADO AUTOBL.MA18 ALTO	SELF-LOCKING NUT M18	ECROU DE VERROUILLAGE M18	SELBSTSICHERNDE MUTTER M18
43	4399228	VITE TE 10x25	SCREW 10x25	VIS 10x25	SCHRAUBE 10x25
44	4399967	DADO M 10	NUT M10	ECROU M10	MUTTER M10
45	4399323	SPINA ELASTICA D.6x18	ELASTIC PIN D.6x18	CHEVILLE ELASTIQUE D.6x18	FEDERSTIFT D.6X18
46	3001030	LEVA CHIAVISTELLO	LEVER	LEVIER	HEBEL
47	3001040	MOLLA RICHIAMO CHIAVISTELLO	SPRING	RESSORT	FEDER
48	3011578	STAFFA FISSAGGIO TELAIO	FRAME FASTENING PLATE	PLAQUE DE FIXATION DU BATI	RAHMENBEFESTIGUNGSSTUCK
49	4399322	SPINA ELASTICA PES. D.8x32	ELASTIC PIN D.8x32	CHEVILLE ELASTIQUE D.8x32	FEDERSTIFT D.8X32
50	4399966	VITE TE 10x20	SCREW M10x20 - 8.8	VIS 10x20 8.8	SCHRAUBE M10x20 8.8
51	4297550	IMPUGNATURA PVC D.28	PVC HANDLE D.28	POIGNEE PVC D.28	PVC GRIFF D.28
52	3001028	BIELLA CHIAVISTELLO	CONNECTING ROD	BIELLE	PLEUELSTANGE
53	3001029	CHIAVISTELLO	BOLT	VERROU	KLINKE
54	4399297	VITE TCEI M 8x130 8.8	SCREW 8x130	VIS 8x130	SCHRAUBE 8x130

**AUTOCENTRANTE - CENTREUR -  
SELF-CENTERING CHUCK - SELBSTZENTRIERENDER**

ED. 01/08

TAV. 2.0



**AUTOCENTRANTE - CENTREUR -  
SELF-CENTERING CHUCK - SELBSTZENTRIERENDER**

ED. 01/08

TAV. 2.0

Rif	Code	Descrizione	Description	Description	Beschreibung
1	3010839	RUOTA ELICOIDALE S.556	HELICAL GEAR	ROUE HELICOIDALE	SCHNECKENRAD
2	4399218	LINGUETTA 20x12x60 (A) 6604	TAB 20x12x60	PLAQUE 20x12x60	PLÄTTCHEN 20X12X60
3	3011706	CILINDRO D.85	CYLINDER D.85	VERIN D.85	ZYLINDER D.85
4	3002874	FLANGIA SUPPORTO CUSCINETTI	SUPPORT	SUPPORT	STÜTZE
5	4298696	CUSCINETTO KU 115x120x50	BEARING 115x120x50	COUSSINET 115x120x50	UNTERLAGE 115x120x50
6	4296871	ANELLO OR246-4450 113,9x3,53	O-RING 113,9x3,53	JOINT OR 113,9x3,53	O-RING 113,9x3,53
7	4296743	ANELLO OR256 145,64x3,53	O-RING 145,64x3,53	JOINT OR 145,64x3,53	O-RING 145,64x3,53
8	4397678	DADO FLANGIATO M8	FLANGED NUT M8	ECROU BORDE' M8	FLANSCHMUTTER M8
9	3010861	VITE SENZA FINE M3,5 S.556	WORM	VIS SANS FIN	SCHNECKE
10	4299284	CUSCINETTO 2KL 51205 - 1E8	BEARING	COUSSINET	UNTERLAGE
11	4299285	CUSCINETTO TAM 6205 2RS - 1I9	BEARING	COUSSINET	UNTERLAGE
12	3001115	DISTANZIALE CUSCINETTO	SPACER	ENTRETOISE	ABSTANDSSTUECK
13	3000999	DISTANZIALE D.26X36X58 ZNT B	SPACER D.26x36x58	ENTRETOISE D.26x36x58	ABSTANDSSTUECK D.26x36x58
14	4399287	LINGUETTA 7x8x30 (A) 6604	TAB 7x8x30	PLAQUE 7x8x30	PLÄTTCHEN 7X8X30
15	3001114	RONDELLA D. 16,2X38X7	WASHER D.16,2x38x7	RONDELLE D.16,2x38x7	SCHEIBE D.16,2X38X7
16	4399181	DADO M16x1,5 6S BASSO	NUT M16x1,5	ECROU M16x1,5	MUTTER M16X1,5
17	3010975	ASTA CILINDRO AUTOCENTR. D.35	CYLINDER ROD	TIGE DE VERIN	ZYLINDERSTOCK
18	4299136	ANELLO OR 212-4087 D.21,82X3,53	O-RING D.21,82x3,53	JOINT OR D.21,82x3,53	O-RING D.21,82x3,53
19	3002875	PISTONE D.85	PISTON D.85	PISTON D.85	KOLBEN D.85
20	4298690	ANELLO TENUTA DAS 85-65	SEAL RING	BAGUE D'ETANCHEITE'	AUGENRING
21	4398683	DADO AUTOBL.M20x1,5 ALTO 7473	SELF-LOCKING NUT M20x1,5	ECROU A BLOCAGE AUTOMAT. M20x1	SELBSTSPERRENDE MUTTER M20x1,5
22	2111708	MANDRINO COMPL. 556-ZNT	CHUCK	MANDRIN	SPANNFUTTER
23	4298691	ANELLO OR 235-4312 D.78,97x3,53	O-RING D.78,97x3,53	JOINT OR D.78,97x3,53	O-RING D.78,97x3,53
24	4298689	ANELLO RASCHIATORE PW 35	SCRAPER RING	SEGMENT RACLEUR	ÖLABSTREIFRING
25	4298688	ANELLO GUIDA WRI 35	GUIDE RING	BAGUE GUIDE	FÜHRUNGSRING
26	4298687	ANELLO TENUTA TS 35-45-7	SEAL RING	BAGUE D'ETANCHEITE'	AUGENRING
27	4396672	VITE TCEI M 10x30 12.9 5931	SCREW TCEI 10x30 12.9	VIS TCEI 10x30 12.9	SCHRAUBE TCEI 10x30 12.9
28	3002876	COPERCHIO POSTER. CILINDRO	CYLINDER BACK COVERING	COUVERTURE VERIN ARRIERE	ZYLINDERHINTERABDECKUNG
29	4398684	VITE TCEI M 8x30 12.9 5931	SCREW TCEI 8x30 12.9	VIS TCEI 8x30 12.9	SCHRAUBE TCEI 8x30 12.9
30	4298924	ANELLO OR 3024 D.6,02x2,62	O-RING 3024 (2,62x6,02)	JOINT OR 3024 (2,62x6,02)	O-RING 3024 (2,62x6,02)

# AUTOCENTRANTE - CENTREUR - SELF-CENTERING CHUCK - SELBSTZENTRIERENDER

ED. 01/08

TAV. 2.0

31	3002978	DISCO COM. APERTURA MANDR. -ZNT	CHUCK OPENING CONTROL	DISQUE COMMANDE OUVERTURE MAND	SPANNFUTTERÖFFNUNGSSTEUERUNG
32	3011092	DISTANZ. PIATTELLO MANDRINO-BRUN.	SPACER	ENTRETOISE	ABSTANDSSTÜCK
33	3002980	CROCE DI CHIUSURAAUTOC.-ZNT.	CROSS PIECE	CROIX	KREUZSTÜCK
34	4399813	RONDELLA 20 (21x37x3) ZNT 6592	WASHER 20 (21x37x3)	RONDELLE 20 (21x37x3)	SCHEIBE 20 (21x37x3)
35	3002977	PERNO X SPINTA BRACCI-ZNT	PIN	AXE	STIFT
36	4398686	ANELLO SEEGER E D.16 7435	SEEGER RING D.16	BAGUE SEEGER E D.16	SEEGER RING D.16
37	3010824	BRACCIO PER MANDRINO-BRUN.	CHUCK ARM	BRAS POUR MANDRIN	SPANNFUTTERARM
38	3002976	PUNTONI X MANDRINO -ZNT	CHUCK LEVER	LEVIER DE MANDRIN	SPANNFUTTERHEBEL
39	3002979	DIST. BRACCI MANDR.-BRUN.	SPACER	ENTRETOISE	ABSTANDSSTÜCK
40	3000108	DISTANZIALE BIELLA D.12X18X11	CONNECTING ROD SPACER D.12x18x11	ENTRETOISE BIELLE D.12x18x11	ABSTANDSSTÜCK D.12x18x11
41	3000967	VITE TE M18X1,5X103(4399318)	SCREW TE M18x1,5x103	VIS TE M18x1,5x103	SCHRAUBE TE M18x1,5x103
42	4397501	VITE TCEI M12x90	SCREW TCEI 12x90	VIS TCEI 12x90	SCHRAUBE TCEI 12x90
43	3003003	VITE TE MA 18 Lp.50-Lt.78	SCREW TE MA 18 Lp.50 - Lt. 78	VIS TE MA 18 Lp.50 - Lt. 78	SCHRAUBE TE MA 18 Lp.50 - Lt.
44	3000599	PERNO X CROC. M12 L=50 TCEI	PIN L=50	AXE L=50	STIFT L=50
45	4399865	DADO AUTOBL.M12 BASSO.6S. 7474	SELF-LOCKING NUT M12	ECROU A' BLOCAGE AUTOMAT. M12	SELBSTSICHERNDE MUTTER M12
46	4399316	DADO AUTOBL.M18x1,5 h=18 7474	SELF-LOCKING NUT 18x1,5 h=18	ECROU A BLOCAGE AUTOMAT. 18x1,	SELBSTSPERRENDE MUTTER 18x1,5
47	3016556	SUPPORTO GRIFFA 556-BRUN.	CLAMP SUPPORT	SUPPORT MORS	SPANNKLAUEHALTER
48	3001043	GRIFFA	CLAMP	MORS	SPANNKLAUE
49	4399956	VITE TCEI M10x25	ALLEN SCREW	VIS	SCHRAUBE
50	2001241	PERNO RACCORDO GIREVOLE	PIN	AXE RACCORD PIVOTANT	STIFT
51	4299241	ANELLO OR 4093 D.23,40X3,53	O-RING D.23,40x3,53	BAGUE OR D.23,40x3,53	O-RING D.23,40x3,53
52	4399299	VITE TCEI M 6x30 8.8 5931	SCREW TCEI 6x30 8.8	VIS TCEI 6x30 8.8	SCHRAUBE TCEI 6x30 8.8
54	2001242	CORPO RACCORDO GIREVOLE	PIVOT UNION BODY	CORPS RACCORD PIVOTANT	DREHANSCHLUSSGEHÄUSE
55	4299167	ANELLO OR DRS-2028	RING	BAGUE	RING
56	4399947	RONDELLA 8 (9x32x4) ZNT 6593	WASHER 8 (9x32x4)	RONDELLE 8 (9x32x4)	SCHEIBE 8 (9X32X4)
57	4399305	VITE TE 8x12 8.8 5739	SCREW M8x12 8.8	VIS M8x12 - 8.8	SCHRAUBE M8x12 8.8
58	4198306	RONDELLA RAME 1/8"	COPPER WASHER 1/8"	RONDELLE EN CUIVRE 1/8"	KUPFERSCHEIBE 1/8"
59	4199940	NIPPLO 1/8"-1/4"	NIPPLE 1/8" - 1/4"	NIPPLE 1/8" - 1/4"	NIPPEL 1/8" - 1/4"
60	3011324	TUBO PONTE CIL.AUTOC.L=280 556	HOSE L=280	TUYAU L=280	SCHLAUCH L=280

**AUTOCENTRANTE - CENTREUR -  
SELF-CENTERING CHUCK - SELBSTZENTRIERENDER**

ED. 01/08

TAV. 2.0

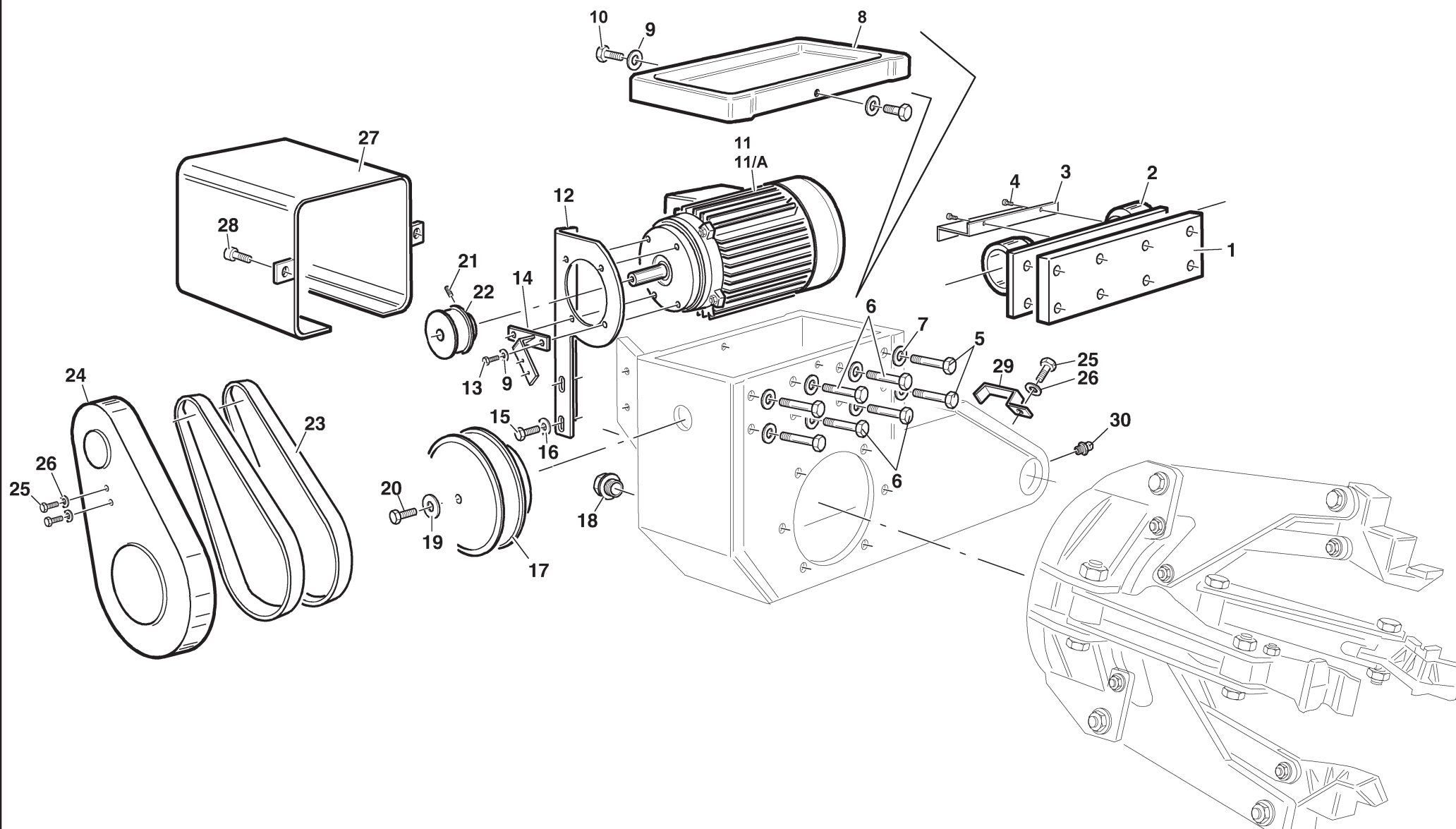
61	3009763	TUBO 1/4" L=400 RACC.GIR. 551	HOSE 1/4" L=400	TUYAU 1/4" L=400	SCHLAUCH 1/4" L=400
62	4197164	RACCORDO GIREVOLE M/F 1/4"	PIVOT UNION M/F 1/4"	RACCORD PIVOTANT M/F 1/4"	DREHANSCHLUSS M/F 1/4"
63	4197238	VALV.IDR. DI BLOCCO VBPSL 14	STOP VALVE	SOUPAPE DE BLOCAGE	ABSPERRVENTIL
64	4197232	BULLONE RACC. 1/4" TORNITO	BOLT 1/4"	BOULON 1/4"	BOLZEN 1/4"
65	4399256	ROND. RAME 1/4" (13x19x1,5)	COPPER WASHER 1/4" D.13x19x1,5	RONDELLE EN CUIVRE 1/4" D.13x1	KUPFERSCHEIBE 1/4" D.13x19x1,5
66	4199249	BULLONE RACCORDO FORATO 1/4"	BOLT 1/4"	BOULON 1/4"	ANSCHLUSSBOLZEN 1/4"
67	4199257	NIPPLO IDR. 1/4"-h.7mm	NIPPLE 1/4" - h.7 mm.	NIPPLE 1/4" - h. 7 mm.	ANSCHLUSS 1/4"- H.7 mm.
68	4399323	SPINA ELASTICA Ø 6x18	ELASTIC PLUG 6x18	GOUPILLE ELASTIQUE 6X18	STECKER 6x18
69	4396595	SPINA ELASTICA SPIROL Ø 8x50	ELASTIC PIN SPIROL D.8X50	GOUPILLE ELASTIQUE SPIROL D.8X50	STECKER SPIROL D.8X50 8752
70	4396341	ROND.BOND 1/4"(13,5x21x12)	RONDELLE BOND 1/4"	BOND WASHER 1/4"	KUPFERSCHEIBE 1/4"
71	3013266	RASAMENTO ACCIAIO 120x155x0,5	CALE ENACIER 120X155X0,5	STEEL SHIM 120x155x0,5	STAHLSCHEIBE 120x155x0,5
72	4398289	RONDELLA 18 (19x34x3)	RONDELLE 18 (19x34x3)	WASHER 18 (19x34x3)	BEILAGSSCHEIBE 18 (19x34x3)



BRACCIO AUTOCENTRANTE - BRAS CENTREUR -  
SELF-CENTERING CHUCK ARM - SELBSTZENTRIERARM

ED. 01/08

TAV. 3.0



# BRACCIO AUTOCENTRANTE - BRAS CENTREUR - SELF-CENTERING CHUCK ARM - SELBSTZENTRIERARM

ED. 01/08

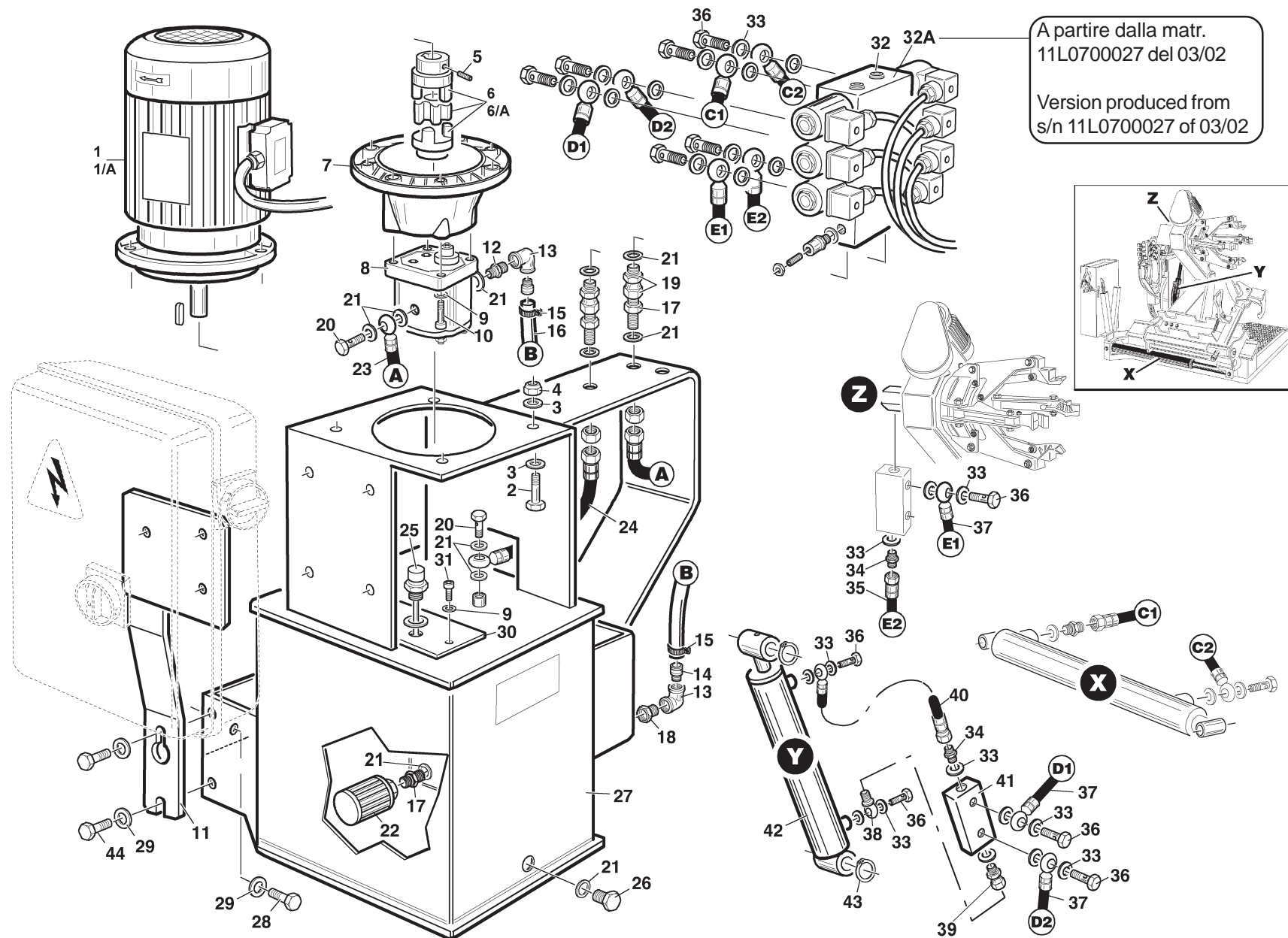
TAV. 3.0

Rif	Code	Descrizione	Description	Description	Beschreibung
1	3011129	PIATTO SPESSORE SUPP. VITE S.F.	SUPPORT PLATE	PLAQUE DE SUPPORT	STÜTZPLATTE
2	2101009	SUPPORTO VITE SENZA FINE	WORM SUPPORT	SUPPORT POUR VIS SANS FIN	SCHNECKENLAGER
3	3001010	SCHERMOPER OLIO	OIL SCREEN	ECRAN POUR HUILE	ÖLSCHIRM
4	4399300	VITE TCEI M 6x12 8.8 5931	SCREW M6x12 8.8	VIS M6x12 8.8	SCHRAUBE M6x12 8.8
5	4399933	VITE TE 10x50 8.8 P.F.	SCREW M10x50 8.8	VIS M10x50 8.8	SCHRAUBE M10x50 8.8
6	4399880	VITE TE 10x40 8.8 5739	SCREW M10x40 8.8	VIS M10x40 8.8	SCHRAUBE M10x40 8.8
7	4399378	RONDELLA 10 (10,5x21x2)ZNT6592	WASHER D.10 (10,5x21x2)	RONDELLE D.10 (10,5x21x2)	SCHEIBE D.10 (10,5x21x2)
8	3011435	COP. SCATOLA RID. ABS NERO	COVER	COUVERTURE	ABDECKUNG
9	4399829	RONDELLA 8 (8,4x16x1,5)ZNT6592	WASHER 8 (8,4x16x1,5)	RONDELLE 8 (8,4x16x1,5)	SCHEIBE 8 (8,4x16x1,5)
10	4399305	VITE TE 8x12 8.8	SCREW 8x12	VIS 8x12	SCHRAUBE 8x12
11	4596981	MOT.3PH 400V.50HZ HP1,7-2,4 B14	MOTOR 3PH 230/400V. 50HZ. HP1,7-2,4	MOTEUR 3PH 400V. 50HZ. HP1,7-2,4	MOTOR 3PH 400V. 50HZ. HP1,7-2,4
11A	4596776	MOT.3PH 230/400V- 60HZ HP 1,7-2,4	MOTOR 3PH 230/400V 60HZ HP1,7-2,4	MOTEUR 3PH 230/400V 60HZ HP1,7-2,4	MOTOR 3PH 230/400V 60HZ HP1,7-2,4
12	3011158	SUPPORTO MOTORE MANDRINO-BRUN.	CHUCK MOTOR SUPPORT	SUPPORT MOTEUR MANDRIN	SPANNFUTTERMOTORSTÜTZE
13	4399935	VITE TE 8x25 8.8	SCREW 8x25	VIS 8x25	SCHRAUBE 8x25
14	2111377	SUPP. CARTER CINGHIA-BRUN.	BELT CASING SUPPORT	SUPPORT CARTER COURROIE	RIEMENKASTENSTÜTZE
15	4399786	VITE TE 10x30 8.8	SCREW M10x30 8.8	VIS M10x30 8.8	SCHRAUBE M10x30 8.8
16	3000495	RONDELLA D. 10x36x5	WASHER D.10x36x5	RONDELLE 10x36x5	BEILAGSSCHEIBE D.10x36x5
17	3001052	PULEGGIA CONDOTTA	DRIVEN PULLEY	POULIE CONDUITE	GEFUEHRTE SCHEIBE
18	4297160	SPIA LIVELLO OLIO 3/4" COMPL.	OIL LEVEL INDICATOR 3/4"	TEMOIN NIVEAU HUILE 3/4"	ÖLSTANDKONTROLLE 3/4"
19	3001068	RONDELLA D.10,5X40X5	WASHER D.10,5x40x5	RONDELLE D.10,5x40x5	SCHEIBE D.10,5x40x5
20	4399228	VITE TE 10x25 8.8	SCREW 10x25	VIS 10x25	SCHRAUBE 10x25
21	4398827	VITE STEI 8x12 P.P. 5923	SCREW 8x12	VIS M8x12	SCHRAUBE M8x12
22	3000975	PULEGGIA MOTRICE	MOTOR PULLEY	POULIE MOTEUR	MOTORSCHEIBE
23	4299306	CINGHIA ROFLEX SPZ 750	BELT ROFLEX SPZ 750	COURROIE ROFLEX SPZ 750	RIEMEN ROFLEX SPZ 750
24	3011338	CARTER PROT.CINGHIA 556 *NERO	BELT CASING	CARTER POUR COURROIE	RIEMENSCHUTZGEHAEUSE S.556
25	4398723	VITE TE 6x12 8.8 5739	SCREW 6x12 8.8	VIS TE 6x12 8.8	SCHRAUBE 6x12 8.8
26	4398848	RONDELLA 6 (6,6x18x1,5)ZNT6593	WASHER 6 (6,6x18x1,5)	RONDELLE 6 (6,6x18x1,5)	SCHEIBE 6 (6,6x18x1,5)
27	6611337	COP. RACC. GIREV. 556-NERO	PIVOT UNION COVER	COUVERTURE RACCORD PIVOTANT	DREHANSCHLUSSABDECKUNG
28	4399298	VITE TCEI M 8x16 8.8 5931	SCREW M8x16 8.8	VIS M8x16 8.8	SCHRAUBE M8x16 8.8
29	3011310	STAFFA BLOCC. CAVI EL.-BRUN.	CABLE FASTENER	CRAMPILLON FIXE-CABLES	KABELKLEMME
30	4399207	INGRASSATORE M6 (A)DRITTO 7663	LUBRICATOR M6	GRAISSEUR M6	SCHMIERER M6

# CENTRALINA IDRAULICA - UNITE' HYDRAULIQUE - HYDRAULIC POWER UNIT - HYDRAULISCHE EINHEIT

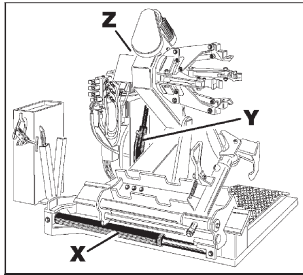
ED. 01/08

TAV. 4.0



A partire dalla matr.  
11L0700027 del 03/02

Version produced from  
s/n 11L0700027 of 03/02



**CENTRALINA IDRAULICA - UNITE' HYDRAULIQUE - HYDRAULIC  
POWER UNIT - HYDRAULISCHE EINHEIT**

ED. 01/08

TAV. 4.0

Rif	Code	Descrizione	Description	Description	Beschreibung
1	4596982	MOT.3PH 230/400V.50HZ HP1,5 B5	MOTOR 3PH 230/400V. 50HZ HP1,5	MOTEUR 3PH 230/400 50HZ HP1,5	MOTOR 3PH 230/400V 50HZ HP1,5
1A	4596777	MOT. 3PH 230/400V.- 60HZ - HP 1,5	MOTOR 3PH 230/400V 60HZ HP1,5	MOTEUR 3PH 230/400V 60HZ HP1,5	MOTOR 3PH 230/400V 60HZ HP 1,5
2	4399826	VITE TE 8x45 8.8 P.F. 5737	SCREW M8x45 - 8.8	VIS M8x45 - 8.8	SCHRAUBE M8x45 - 8.8
3	4399863	RONDELLA 8 (9x24x2) ZNT 6593	WASHER 8 (9x24x2)	RONDELLE 8 (9x24x2)	SCHEIBE 8 (9x24x2)
4	4399900	DADO AUTOBL.M 8 BASSO 6.S 7474	SELF-LOCKING NUT M8	ECROU A' BLOCAGE AUTOMAT. M8	SELBSTSPERRENDE MUTTER M8
5	4399121	VITE STEI 6x6 P.P.	SCREW 6x6	VIS 6x6	SCHRAUBE 6x6
6	4197873	GIUNTO ELASTICO HE41	ELASTIC JOINT HE41	JOINT ELASTIQUE HE41	FEDERDICHTUNG HE41
6A	4197230	GIUNTO ELASTICO HE-6	ELASTIC JOINT HE-6	JOINT ELASTIQUE HE-6	FEDERDICHTUNG HE-6
7	4197872	LANTERNA GR.80 D.200 HL5L	FLANGE GR.80 D.200 HL5L	BRIDE GR.80 D.200 HL5L	FLANSCH GR.80 D.200 HL5L
8	4197254	POMPA GR.1 4 LT. 00372908	PUMP 4LT.	POMPE 4LT.	PUMPE 4LT.
9	4399998	RONDELLA 6 (6,4x12x1,6)ZNT6592	WASHER 6 (6,4x12x1,6)	RONDELLE 6 (6,4x12x1,6)	SCHEIBE 6 (6,4x12x1,6)
10	4399299	VITE TCEI M 6x30 8.8	SCREW TCEI 6x30 8.8	VIS TCEI 6x30 8.8	SCHRAUBE TCEI 6x30 8.8
11	6611311	SUPPORTO CENTR.EL. 557-NERO	CONTROL UNIT SUPPORT	SUPPORT UNITE' DE COMMANDE	STEUEREINHEITSTÜTZ
12	4196767	NIPPLO 3/8"-1/2"-ART.2510	NIPPLE 3/8" - 1/2"	NIPPLE 3/8" - 1/2"	NIPPEL 3/8" - 1/2"
13	4196780	RACCORDO 2013 1/2" FF	UNION 1/2"	RACCORD 1/2"	ANSCHLUSS 1/2"
14	4199792	RACCORDO 2601 18-1/2"	UNION 1/2"	RACCORD 1/2"	ANSCHLUSS 1/2"
15	4199793	FASCETTA AWAB 19x28	BAND 19x28	BANDE 19x28	BAENDCHEN 19x28
16	3001370	TUBO 18ATE D. 16X26 L=400	HOSE D.16x26 L=400	TUYAU D.16x26 L=400	ROHR D.16x26 L=400
17	4197600	PASSAPARETE DI CONG.3/8"BSP	UNION 3/8"	RACCORD 3/8"	VERBINDUNGSSTÜCK 3/8"
18	4197163	RIDUZIONE 2530 1/2"-3/8"	REDUCTION PIECE 1/2"-3/8"	REDUCTION 1/2"-3/8"	VERMINDERUNGSSTÜCK 1/2"-3/8"
19	4197621	GIUNZIONE ORIENT.M.F.60001 3/8	UNION 3/8"	RACCORD 3/8"	ANSCHLUSS 3/8"
20	4197330	BULLONE RACCORDO FORATO 3/8	"DRILLED UNION BOLT 3/8""	"BOULON RACC. FORE' 3/8""	"LOCHVERSCHRAUBUNG 3/8""
21	4198598	ROND. RAME RR 3/8" (17x23x1,5)	COPPER WASHER 3/8" 17x23x1,5	RONDELLE EN CUIVRE 3/8" 17x23x	KUPFERBEILAGSSCHEIBE 3/8" 17x2
22	4197241	FILTRO OLIO n60 FAM.MS.B2.0	OIL FILTER	FILTRE HUILE	ÖLFILTER
23	3011285	TUBO 3/8"L=420 MANDATA POMPA	HOSE 3/8" L=420 PUMP DELIVERY	TUYAU 3/8" L=420 REFOULEMENT	ZUFLUSSSCHLAUCH 3/8" L=420
24	3011284	TUBO 3/8"L=320 SCARICO POMPA	DRAINING HOSE 3/8" L=320	TUYAU DE DECHARGE	ABLAßROHR 3/8" L=320
25	4197047	TAPPO LIV.OLIO 1/2"CON ASTA	OIL LEVEL PLUG 1/2" WITH DIPST	BOUCHON NIVEAU HUILE AVEC JAUG	ÖLSTANDVERSCHRAUBUNG MIT MEßST

**CENTRALINA IDRAULICA - UNITE' HYDRAULIQUE - HYDRAULIC  
POWER UNIT - HYDRAULISCHE EINHEIT**

ED. 01/08

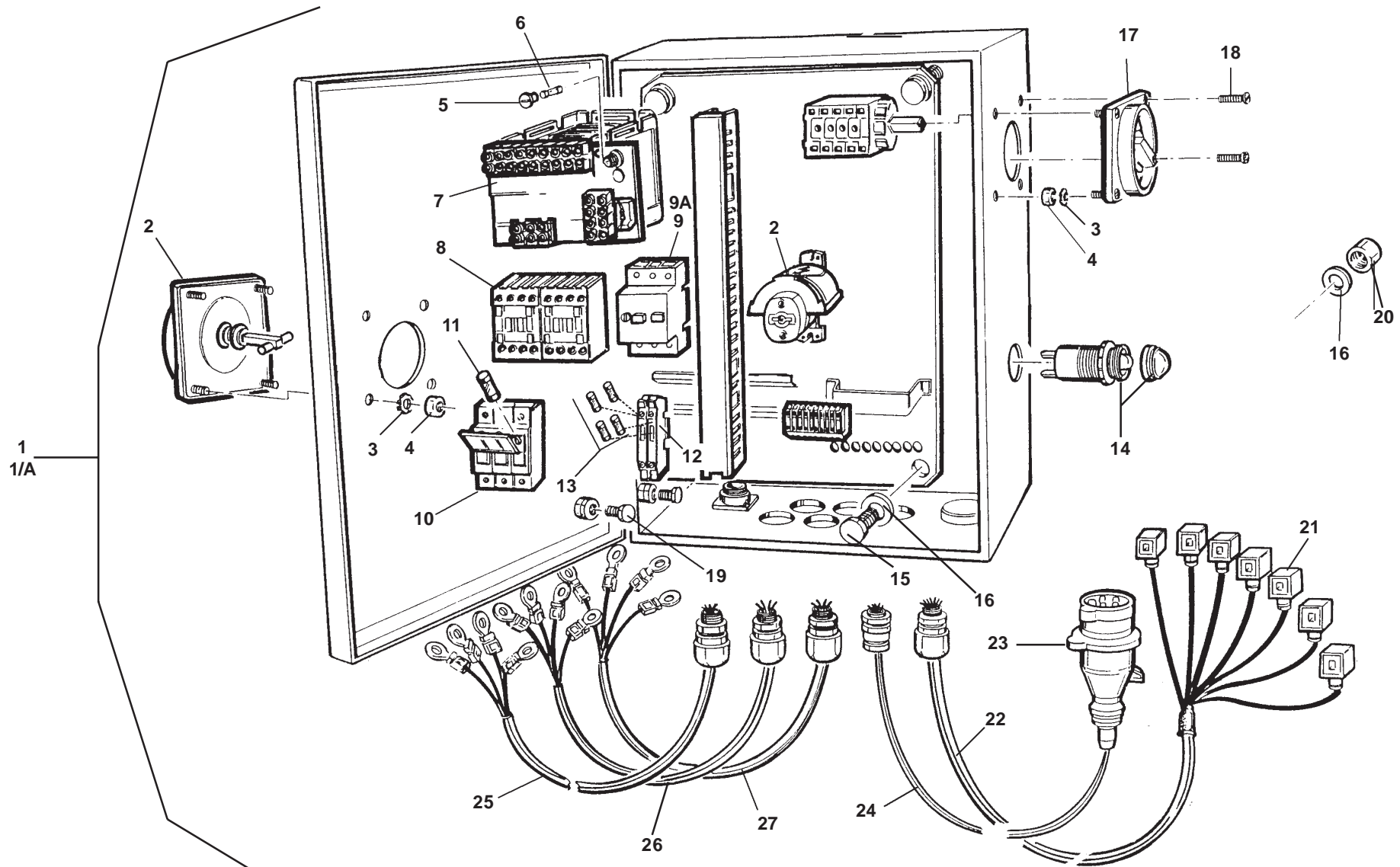
TAV. 4.0

26	4196747	TAPPO 3/8" IDR.	CAP 3/8"	BOUCHON 3/8"	PFROPFEN 3/8"
27	6611287	SERBATOIO OLIO COMPL.	OIL TANK	RESERVOIR D'HUILE	ÖLBEHÄLTER
28	4399966	VITE TE 10x20 8.8 5739	SCREW M10x20 - 8.8	VIS 10x20 8.8	SCHRAUBE M10x20 8.8
29	4399378	RONDELLA 10 (10,5x21x2)ZNT6592	WASHER D.10 (10,5x21x2)	RONDELLE D.10 (10,5x21x2)	SCHEIBE D.10 (10,5x21x2)
30	6611329	COPERCHIO SERB.	TANK COVER	COUVERCLE RESERVOIR	BEHÄLTERDECKEL
31	4399300	VITE TCEI M 6x12 8.8	SCREW M6x12 8.8	VIS M6x12 8.8	SCHRAUBE M6x12 8.8
32	2009759	BASE MULTIPLA CON ELETTROV.	MULTIPLE BASE WITH SOLENOID VA	SOCLE MULTIPLE AVEC ELECTROVAN	MEHRFACHSOCKEL MIT MAGNETVENTIL
32A	2012881	BASE MULTIPLA CON ELETTROV.	MULTIPLE BASE WITH SOLENOID VA	SOCLE MULTIPLE AVEC ELECTROVAN	MEHRFACHSOCKEL MIT MAGNETVENTIL
33	4399256	ROND. RAME 1/4" (13x19x1,5)	COPPER WASHER 1/4" D.13x19x1,5	RONDELLE EN CUIVRE 1/4" D.13x19	KUPFERSCHEIBE 1/4" D.13x19x1,5
34	4199257	NIPPLO IDR. 1/4"-h.7mm	NIPPLE 1/4" - h.7 mm.	NIPPLE 1/4" - h. 7 mm.	ANSCHLUSS 1/4" - H.7 mm.
35	3011286	TUBO B 1/4"L=960 MANDRINO 556	HOSE 1/4" L=960	TUYAU 1/4" L=960	SCHLAUCH 1/4" L=960
36	4199249	BULLONE RACCORDO FORATO 1/4"	BOLT 1/4"	BOULON 1/4"	ANSCHLUSSBOLZEN 1/4"
37	3011280	TUBO A 1/4"L=980 MANDRINO	HOSE 1/4" L=980	TUYAU 1/4" L=980	SCHLAUCH 1/4" L=980
38	4197297	RACCORDO OCCHIO 1/4"-1/4" BSP	UNION 1/4"-1/4"	RACCORD 1/4"-1/4"	ANSCHLUSS 1/4"-1/4"
39	4197164	RACCORDO GIREV. M/F 1/4"	PIVOT UNION M/F 1/4"	RACCORD PIVOTANT M/F 1/4"	DREHANSCHLUSS M/F 1/4"
40	3011419	TUBO 1/4" L=163 VALV.BLOCC.556	HOSE 1/4" L=163	TUYAU 1/4" L=163	SCHLAUCH 1/4" L=163
41	4197238	VALV.IDR. DI BLOCCO VBPSL 14	STOP VALVE	SOUPAPE DE BLOCAGE	ABSPERRVENTIL
42	6609461	CILINDRO CORTO D.50 C=250 NERO	SHORT CYLINDER D.50 C=250	VERIN COURT D.50 C=250	KURZZYLINDER D.50 C=250
43	4399979	ANELLO SEEGER E D.30 7435	SEEGER RING D.30	BAGUE SEEGER D.30	SEEGER-RING D.30
44	4399228	VITE TE 10x25 8.8 5739	SCREW TE 10x25 8.8	VIS TE 10x25 8.8	SCHRAUBE TE 10x25 8.8

QUADRO ELETTRICO - PANNEAU ELECTRIQUE -  
ELECTRIC PANEL - ELEKTRISCHE TAFEL

ED. 01/08

TAV. 5.0



**QUADRO ELETTRICO - PANNEAU ELECTRIQUE -  
ELECTRIC PANEL - ELEKTRISCHE TAFEL**

ED. 01/08

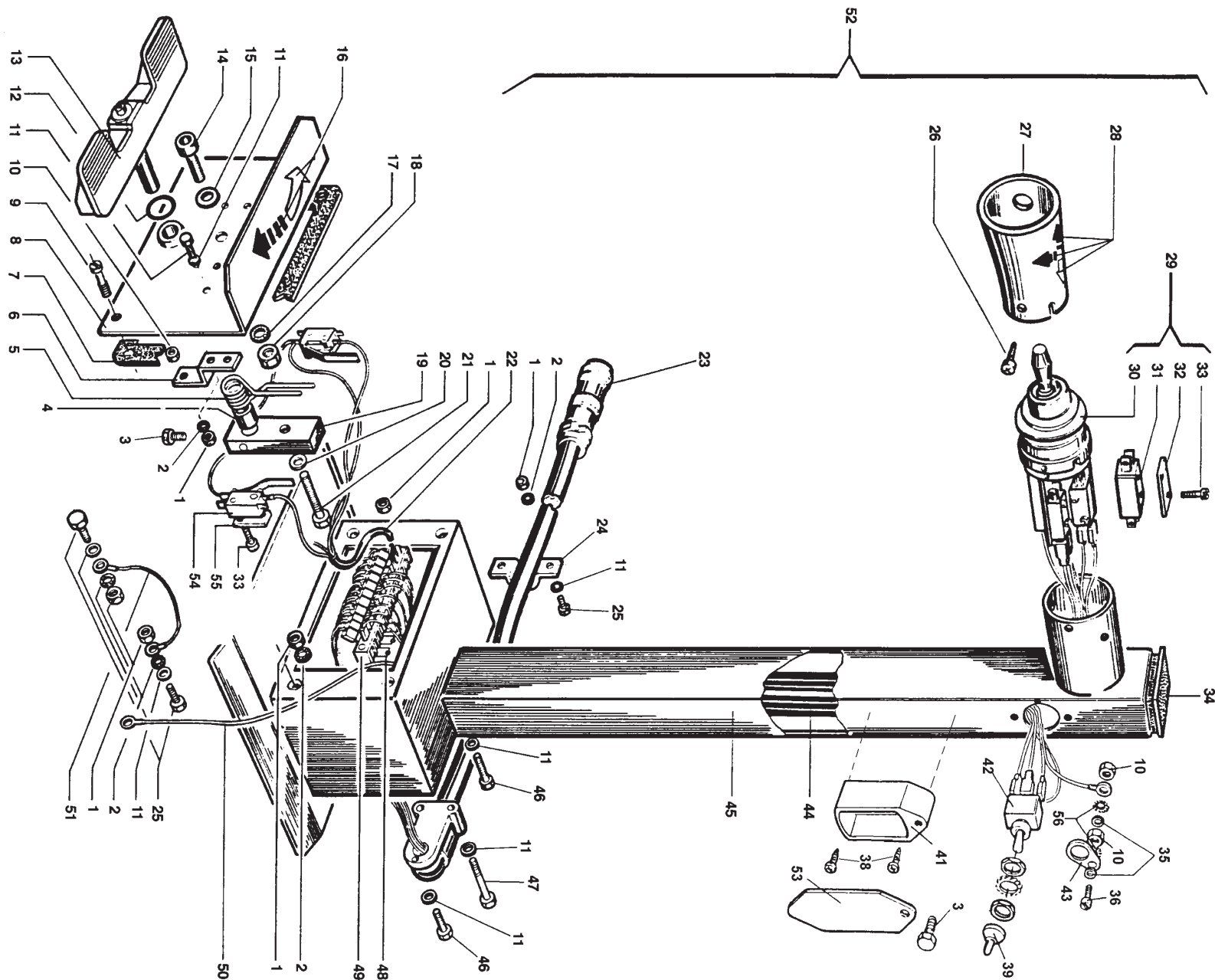
TAV. 5.0

Rif	Code	Descrizione	Description	Description	Beschreibung
1	2005408	CENTRAL.ELETT. 3PH 50Hz CE	ELECTR. UNIT 3PH 50HZ CE	UNITE' ELECTR. 3PH 50HZ CE	ELEKTR. EINHEIT 3PH 50HZ CE
1A	2008644	CENTRAL.ELETT. 3PH 60Hz CE	ELECTR. UNIT 3PH 60HZ CE	UNITE' ELECTR. 3PH 60HZ CE	ELEKTR. EINHEIT 3PH 60HZ CE
2	4599153	INTERUTTORE CENTRALINA	SWITCH	INTERRUPTEUR	SCHALTER
3	4399703	ROND. DEN.ES."A" 4,3x8x0,5	WASHER	RONDELLE DENTEE 4,3x8x0,5	ZAHNSCHEIBE 4,3X8X0,5
4	4399996	DADO M 4 6S ALTO ZNT 5587	NUT M4 6S	ECROU M4 6S	MUTTER M4 6S
5	4599154	PONTE FUSIBILE	FUSE CAP	PONT FUSIBLE	SCHMELZSICHERUNGSBRUECKE
6	4597707	FUSIBILE 3,15A 5X20 F 250V.	FUSE 3,15A 5x20 F 250V.	FUSIBLE 3,15A 5x20 F 250V	SICHERUNG 3,15A 5x20 F 250V.
7	4599158	TRASFORMATORE X S.551	TRANSFORMER	TRANSFORMATEUR	TRANSFORMATOR X S.551
8	4599148	TELERUTTORE	RELAY	TELERUPTEUR	FERNSCHALTER
9	4597932	SALVAMOTORE S.551 10-16A LMS25	MOTOR OVERLOAD CUTOUT 10-16A	PROTEGE-MOTEUR S.551 10-16A	MOTOR-UEBERLASTSCHALTER 10-16A
9A	4597986	SALVAMOTORE S.551 4-6,3A	MOTOR OVERLOAD CUTOUT 4-6,3A	PROTEGE-MOTEUR S.551 4-6,3A	MOTOR-UEBERLASTSCHALTER 4-6,3A
10	4598021	PORTAFUSIBILI A CASS. TRIPOLARE	FUSE HOLDER	PORTE-FUSIBLE	SCHMELZSICHERUNGSTRAEGER
11	4598564	FUSIBILE CER. 16A 10X38 AM	16A FUSE	FUSIBLE 16A	SCHMELZSICHERUNG 16A
12	4597985	PORTAFUSIBILE A CASS. 551	FUSE-HOLDER	BOITE A FUSIBLES	SICHERUNGSKOERPER
13	4597984	FUSIBILE 1 A 5X20 T 250V.	FUSE 1 A 5x20 T 250V.	FUSIBLE 1 A 5X20 T 250V.	SCHMELZSICHERUNG 250V
14	4599160	SPIA BIANCA COMPL.	PILOT LAMP	LAMPE TEMOIN - BLANCHE	WEISSE LEUCHE
15	4399305	VITE TE 8x12 8.8 5739	SCREW M8x12 8.8	VIS M8x12 - 8.8	SCHRAUBE M8x12 8.8
16	4399829	RONDELLA 8 (8,4x16x1,5)ZNT6592	WASHER 8 (8,4x16x1,5)	RONDELLE 8 (8,4X16X1,5)	SCHEIBE 8 (8,4x16x1,5)
17	4597897	COMMUTATORE DI POLARITA' S.551	POLE CHANGE SWITCH	COMMUTATEUR POLARITE' S.551	POLWENDER
18	4399092	VITE TSC 4x12 4.8 6110	SCREW	VIS M4x12 8.8	SCHRAUBE TSC M 4X 12 8.8
19	4399299	VITE TCEI M 6x30 8.8 5931	SCREW TCEI 6x30 8.8	VIS TCEI 6x30 8.8	SCHRAUBE TCEI 6x30 8.8
20	4399976	DADO M 8 6S ZNT 5588	NUT M8	ECROU M8	MUTTER M8
21	4599166	CONNETTORE NORMALE - PG9	CONNECTOR	CONNECTEUR	KONNEKTOR
22	2001285	CABLAGGIO CAVI ELETTRICALE	HARNESS	CABLAGE SOUPAPES ELECTRIQUES	KABELVERBINDUNG
23	4598058	SPINA EL. 3PH 16A CEE 5 POLI	ELECTRICAL PLUG 3PH 16A	GOUPILLE 3PH 16A	STIFT 3PH 16A CEE
24	2000519	CAVO ALIMENTAZIONE TRIFASE	3 PHASE LEAD CABLE	CABLE D'ALIMENTATION 3 PH	DREIPHASIGER SPEISEKABEL
25	2001287	CABLAGGIO CAVI 2^VEL. AUTOCENTR	HARNESS	CABLAGE 2.ME VITESSE	KABELVERBINDUNG
26	2001286	CABLAGGIO CAVI 1^VEL. AUTOCENTR	HARNESS	CABLAGE 1.ERE VITESSE	KABELVERBINDUN
27	2001284	CABLAGGIO C.MOTORE CENTRALINA	HARNESS	CABLAGE DE CONNECTION	KABELVERBINDUNG

PEDALIERA - COMMANDE A PEDALE -  
PEDAL CONTROL - PEDALSTEUEREINHEIT

ED. 01/08

TAV. 6.0





**PEDALIERA - COMMANDE A PEDALE -  
PEDAL CONTROL - PEDALSTEUEREINHEIT**

ED. 01/08

TAV. 6.0

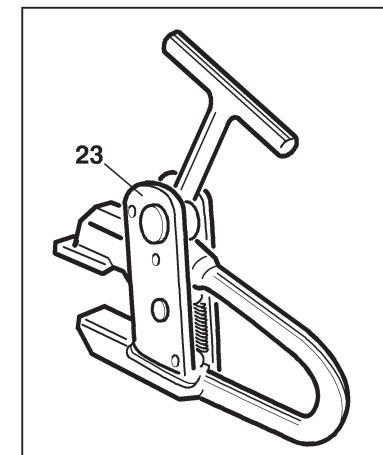
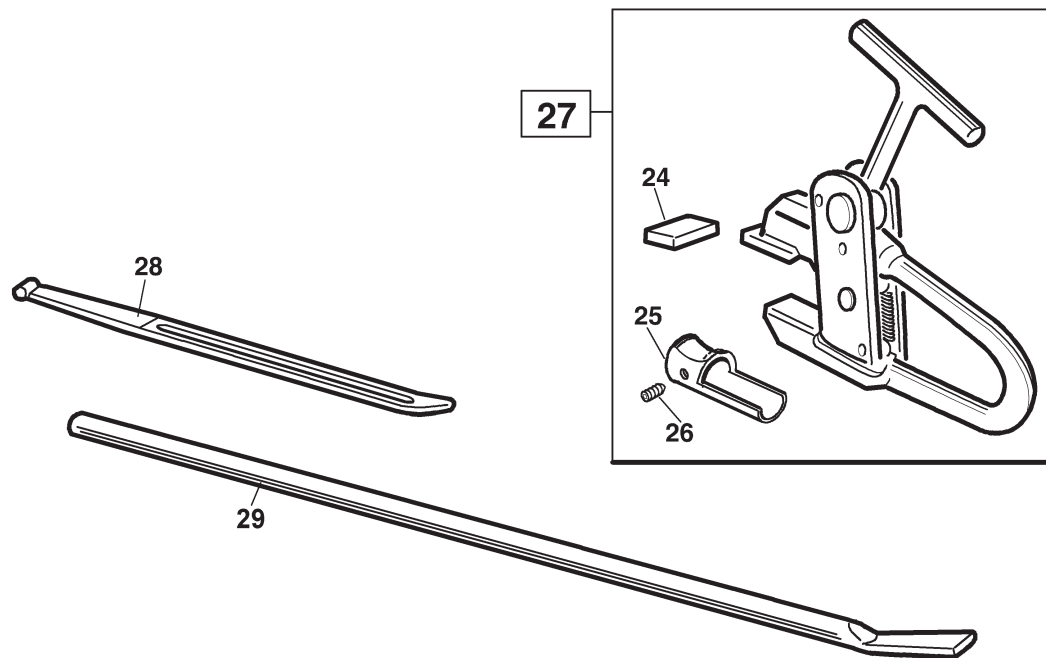
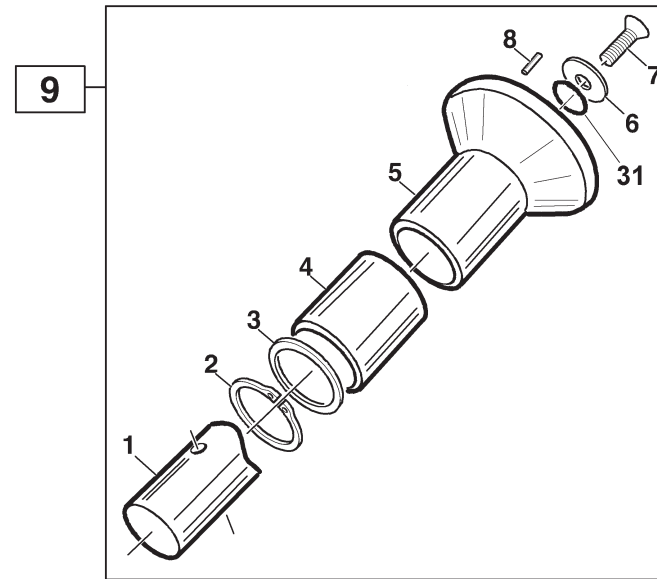
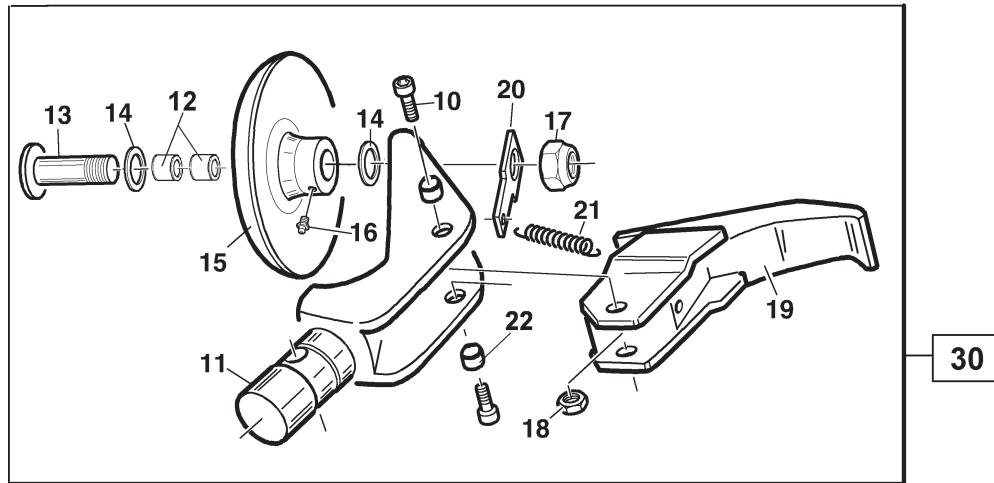
Rif	Code	Descrizione	Description	Description	Beschreibung
1	4399996	DADO M 4 6S ALTO ZNT 5587	NUT M4 6S	ECROU M4 6S	MUTTER M4 6S
2	4399703	ROND. DEN.ES."A" 4,3x8x0,5	WASHER	RONDELLE DENTEE 4,3x8x0,5	ZAHNSCHEIBE 4,3X8X0,5
3	4399229	VITE TE 6x10 8.8 5739	SCREW	VIS	SCHRAUBE TE M 6X 10 8.8
4	3001135	DISTANZIALE PER PEDALE	SPACER	ENTRETOISE POUR PEDALE	ABSTANDSSTUECK
5	3007133	MOLLA COMANDO PEDALE	PEDAL CONTROL SPRING	RESSORT COMMANDE PEDALE	PEDALSTEUERFEDER
6	3001143	SQUADRETTA PER MICROINTERRUTT.	SUPPORT	PLAQUETTE POUR MICROINTERRUPT.	PLATTE f. MICROSCHALTER
7	3001138	GUARNIZIONE PER SCATOLA	GASKET	GARNITURE POUR BOITE	DICHTUNG
8	6600977	COPERCHIO SCATOLA	BOX CAP	COUVERCLE BOITE	DECKEL
9	4399222	VITE IMPERITURA M 4x14	SCREW	VIS M4x14	SCHRAUBE M 4 X 14
10	4399127	DADO M 3 6S ZNT 5588	NUT	ECROU M3	MUTTER M 3 6S
11	4399903	RONDELLA 4 (4,5x12x1,5)ZNT6593	WASHER 4 (4,5x12x1,5)	RONDELLE 4 (4,5x12x1,5)	SCHEIBE 4 (4,5x12x1,5)
12	4299223	ANELLO OR 3056 D.13,94X2,62	ORING	BAGUE OR 3056 - D.13,94x2,62	O-RING 3056 - D.13,94X2,62
13	2401100	PEDALE ABILANCIERE C.	PEDAL	PEDALE A' BALANCIER	PEDAL
14	4399954	VITE TCEI M 8x20 8.8 5931	SCREW M8x20 - 8.8	VIS M8x20 8.8	SCHRAUBE M8x20 -8.8-
15	4399829	RONDELLA 8 (8,4x16x1,5)ZNT6592	WASHER 8 (8,4x16x1,5)	RONDELLE 8 (8,4X16X1,5)	SCHEIBE 8 (8,4x16x1,5)
16	3000961	DECALCOMANIA FRECCHE ROTATORIE	STICKER	DECALCOMANIE	ABZIEHBILD
17	4399122	ROND. DEN.ES."A" 8,4x15x0,8	WASHER	RONDELLE D.8	BEILAGSSCHEIBE D.8
18	4399976	DADO M 8 6S ZNT 5588	NUT M8	ECROU M8	MUTTER M8
19	3001131	LEVA COMANDO MICRO	LEVER	LEVIER COMMANDE MICRO	STEUERHEBEL
20	4399998	RONDELLA 6 (6,4x12x1,6)ZNT6592	WASHER 6 (6,4x12x1,6)	RONDELLE 6 (6,4x12x1,6)	SCHEIBE 6 (6,4x12x1,6)
21	4399090	VITE TE 6x30 8.8 5739	SCREW M6x30 8.8	VIS M6x30 - 8.8	SCHRAUBE TE M 6X 30 8.8
22	2001301	CABLAGGIO CAVI COLLEG.MICRO	HARNESS	CABLAGE CONNEXION MICRO	KABELVERBINDUNG
23	2001298	CABLAGGIO CAVI PEDAL.S.551/552	HARNESS	CABLAGE PEDALIER	KABELVERBINDUNG
24	3001069	CAVALLOTTO D.19 ART. 5084	U-BOLT D.19	CRAMPILLON D.19	GABELSTUECK D.19 ART.5084
25	4399905	VITE TE 4x12 8.8 5739	SCREW M4x12 8.8	VIS M4x12 - 8.8	SCHRAUBE M4x12 8.8
26	4399995	VITE AUTOF. TSIC 3,5X13 6955	BOLT	VIS AUTOTARADEUSE	SELBSTEINSCHNEIDENDE SCHRAUBE
27	3001139	PROTEZIONE MANIPOLATORE	COVER	PROTECTION MANIPULATEUR	MANIPULATORSCHUTZ
28	3000962	DECALCOMANIA SIMBOLI	STICKER	ETIQUETTE	ABZIEHBILD

**PEDALIERA - COMMANDE A PEDALE -  
PEDAL CONTROL - PEDALSTEUEREINHEIT**

ED. 01/08

TAV. 6.0

29	2001142	MANIPOLATORE	MANIPULATOR	MANIPULATEUR	MANIPULATOR
30	3001137	CUFFIA PER MANIPOLATORE	COVER	PROTECTION POUR MANIPULATEUR	MANIPULATORSCHUTZHAUBE
31	4599129	MICROINTERRUPTORE MANIPOLATORE	MICROSWITCH	MICROINTERRUPTEUR MANIPULATEUR	MICROSCHALTER
32	4599128	PIASTRINA FISS. MICROINTERRUTT.	PLATE	PLAQUE FIXAGE MICROINTERRUPT.	MICROSCHALTERSCHEIBE
33	4399123	VITE TC 3x20 6107	SCREW	VIS M3x20	SCHRAUBE TC M 3X 20
34	3006761	TAPPO TERMINALE PEDALIERA	PEDAL UNIT END COVER	PROTECTION PEDALIER	PEDALEINHEIT-ENDSCUTZ
35	4399126	RONDELLA 3 (3,2x7x0,5)ZNT 6592	WASHER	RONDELLE D.3	SCHEIBE D.3
36	4399044	VITE TC 3x12	SCREW 3x12 12,9	VIS 3x12 12,9	SCHRAUBE 3x12 12,9
37	3000964	DECALCOMANIA APERTURA MANDRINO	STICKER	ETIQUETTE	ABZIEHBILD
38	4399091	VITE AUTOF. TCI 3,5x13 6951	SCREW	VIS AUTOTARADEUSE 3,5x13	SELBSTSCHNEID. SCHRAUBE
39	4599125	PROTEZIONE LEVETTA COMMUTATORE	COVER	PROTECTION LEVIER COMMUTATEUR	HEBELSCHUTZ
40	3000965	DECALCOMANIA CHIUSURA MANDRINO	STICKER	ETIQUETTE	ABZIEHBILD
41	3006791	SUPPORTO PLASTICA X INTERRUPT.	SWITCH PLASTIC SUPPORT	SUPPORT EN PLASTIQUE	SCHALTER-PLASTIKLAGER
42	4599221	COMMUTATORE A LEVETTA	COMMUTATOR	COMMUTATEUR A' LEVIER	HEBELUMSCHALTER
43	3005928	PIASTRINA X CAVO TERRA	GROUND CABLE PLATE	PLAQUETTE POUR CABLE TERRE	ERDKABELPLAETTCHEN
44	2001297	CABLAGGIO CAVI COMANDI MANUALI	HARNESS	CABLAGE COMMANDES A' MAIN	KABELVERBINDUNG
45	6606762	BASAMENTO PEDALIERA TN - NERA	PEDAL UNIT BASE	LOGEMENT POUR PEDALIER	PEDALEINHEITGRUNDLAGE
46	4399124	VITE TE 4x16 8.8 ZNT 5739	SCREW M4x16 8.8	VIS M4x16 8.8	SCHRAUBE TE M 4X 16 8.8
47	4399860	VITE TE 4x40 8.8 P.F. 5737	SCREW M4x40 - 8.8	VIS M4x40 - 8.8	SCHRAUBE M4x40 - 8.8
48	4599157	DIODO A VALANGA	DIODE	DIODE	DIODE
49	4599220	MORSETTIERA MAMUTH OK 1333 NR	TERMINAL BOARD	BOITE A' BORNES	KLEMMKASTEN
50	2001299	CAVO LUNGO PRESA TERRA PEDAL.	CABLE	CABLE DE TERRE	MASSEKABEL
51	2001300	CAVO CORTO PRESA TERRA PEDAL.	CABLE	CABLE DE TERRE	MASSEKABEL
52	2005409	PEDALIERA COMANDO CE - NERA	PEDAL CONTROL UNIT CE BLACK	PEDALES DE DIR.COMANDE CE NOIR	PEDALSTEUEREINHEIT
53	3005718	COP.X PROTEZ. INTERRUPTORE	SWITCH COVER	PROTECTION INTERRUPTEUR	SCHALTERSCHUTZ
54	4599219	MICROINTERRUPTORE PEDALIERA	MICROSWITCH	MICROINTERRUPTEUR PEDALIER	MICROSCHALTER
55	4599128	PIASTRINA FISS. MICROINTERRUTT.	PLATE	PLAQUE FIXAGE MICROINTERRUPT.	MICROSCHALTERSCHEIBE
56	4399045	ROND. DEN.ES.IN. 3,2x12x0,5	TOOTHED WASHER 3,2x12x0,5	RONDELLE 3,2x12x0,5	ZAHNSCHEIBE 3,2x12x0,5

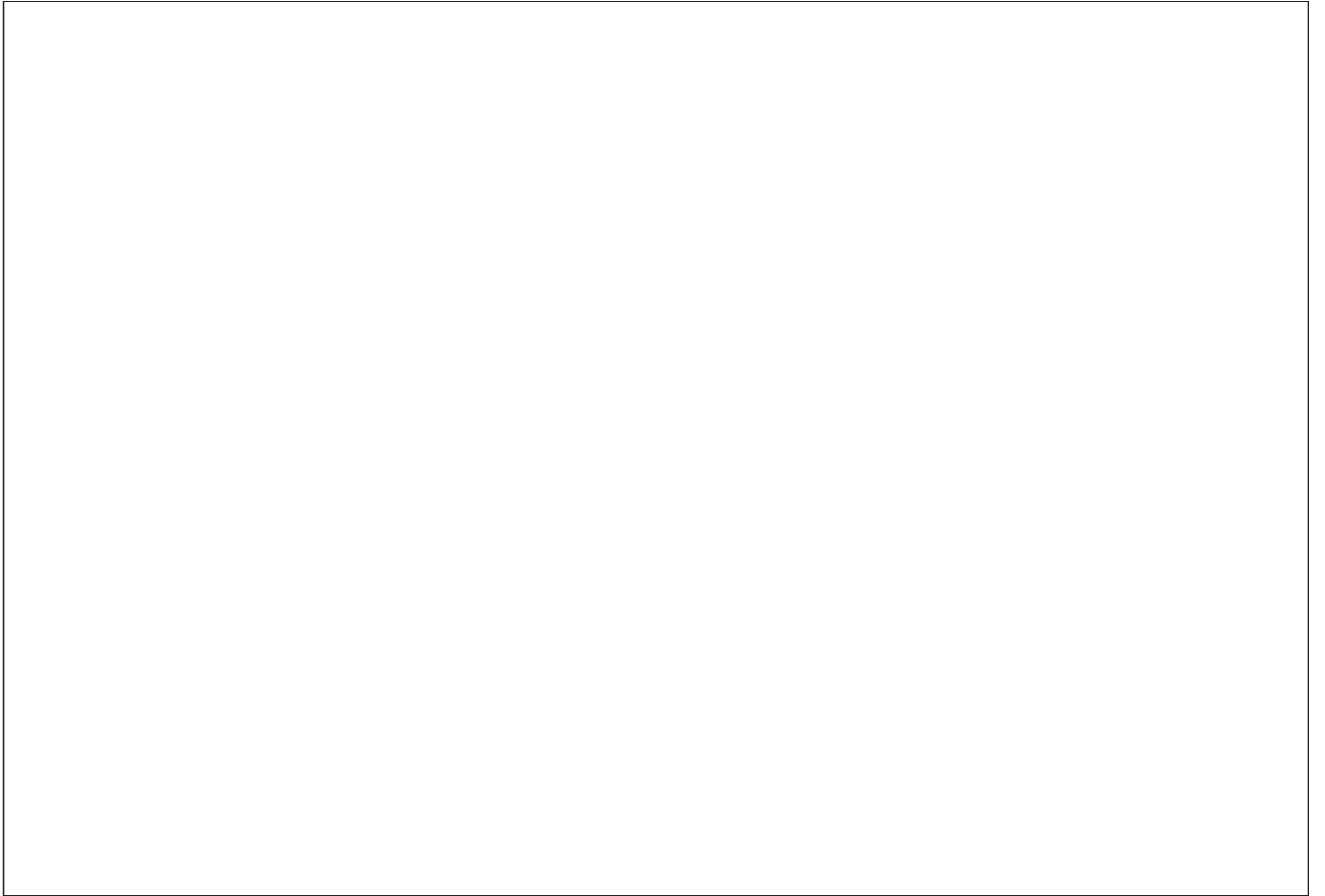


# ACCESSORI - ACCESSOIRES - ACCESSORIES - ZUBEHÖR

ED. 01/08

TAV. 7.0

Rif	Code	Descrizione	Description	Description	Beschreibung
1	3009548	PERNO FULCRO RULLO TUBELESS	ROLLER FULCRUM PIN	AXE D'ARTICUL. ROULEAU	ROLLESTUETZPUNKT
2	4397336	ANELLO SEEGER E D.60 7435	SEEGER RING D.60	BAGUE SEEGER E D.60 7435	SEEGER RING D.60
3	4397215	RASAMENTO 63x80x0,5 DIN 988	SHIM 63x80x0,5	BAGUE 63X80X0,5 DIN 988	DISTANZSTUECK 63x80x0,5
4	3009635	DISTANZIALE RULLO L=184	ROLLER SPACER L=184	ENTRETOISE ROULEAU L.184	ROLLENZWISCHENSTUECK L=184
5	3009547	RULLO TUBELESS ALLUMINIO	TUBELESS ROLLER - ALUMINIUM	ROULEAU TUBELESS	ALUROLLE
6	3001307	RONDELLA RULLO PER TUBELESS	WASHER	RONDELLE GALET TUBELESS	SCHEIBE
7	4399120	VITE TSPEI M10x20 10.9 5933	SCREW TSPEI M10x20 10.9	VIS M10x20 10.9	SCHRAUBE TSPEI M10X 20 10.9
8	4398880	SPINA ELASTICA D.4x12 6874	ELASTIC PLUG D.4x12	GOUPILLE D.4x12	SPANNSTIFT D.4x12
9	9209546	211/99 GRUPPO RULLO TUBELESS	211/99 ROLLER FOR TUBELESS TYR	211/99 ROULEAU DE MONTAGE/DEMO	211/99 ROLLE FUR MONTAGE/DEMON
10	4397504	VITE TCEI M12x30 12.9 5931	SCREW TCEI 12x30 12.9	VIS TCEI 12x30 12.9	SCHRAUBE TCEI 12x30 12.9
11	2110827	MONOSTAFFA PICCOLA- BRUN.	SUPPORT	SUPPORT	STÜTZE
12	3010893	BOCCOLA DISCO STALLONATORE	BEAD BREAKING DISK BUSH	COQUILLE DISQUE DECOLLE-TALONS	WULSTABDRÜCKERBÜCHSE
13	3010831	PERNO DISCO UT. DOPPIO-RETTIF.	PIN	AXE	STIFT
14	4396915	ANELLO COMPENSAZ. 41x52Ex0,5 (3)	RING 41x52Ex0,5 (3)	JOINT 41x52Ex0,5 (3)	RING 41x52Ex0,5 (3)
15	2110825	DISCO STALLON.PICCOLO-BRUN.	BEAD BREAKING DISK	DISQUE DECOLLE-TALONS	WULSTABDRÜCKPLATTE
16	4399207	INGRASSATORE M6 (A)DRITTO 7663	LUBRICATOR M6	GRAISSEUR M6	SCHMIERER M6
17	4396916	DADO AUTOBL.M27x3 BASSO 7474	SELF-LOCKING NUT 27x3	ECROU A'BL.AUT.M27X3 HAUT	SELBSTBLOCKIERENDE MUTTER 27x3
18	4398657	DADO M12 BASSO ZNT 5589	LOW NUT M12 UNI 5589	ECROU M12 BAS UNI 5589	MUTTER M12 UNI 5589
19	2110836	UTENSILE CORTO - BRUN.	SHORT TOOL	OUTIL COURT	KURZES WERKZEUG
20	3010841	GANCIO ATTACCO MOLLA- ZNT B.	SPRING CONNECTION	CROCHET	FEDERKUPPLUNGSHAKEN
21	3001266	MOLLA D.18 L=65	SPRING	RESSORT	FEDER D.18 L=65
22	3000108	DISTANZIALE BIELLA D.12X18X11	CONNECTING ROD SPACER D.12x18x11	ENTRETOISE BIELLE D.12x18x11	ABSTANDSSTÜCK D.12x18x11
23	2001059	PINZA PER CERCHIONI	PLIER	PINCE POUR JANTES	ZANGE f. FELGEN
24	3001304	TASSELLO SUPERIORE PINZA	BLOCK	TASSEAU SUPERIEUR PINCE	OBERSCHUTZ f. GREIFER
25	3001303	MANICOTTO INFERIORE PINZA	LOWER COUPLING	MANCHON INFERIEUR PINCE	MUFFE
26	4399121	VITE STEI 6x6 P.P. 5923	SCREW 6x6	VIS 6x6	SCHRAUBE 6x6
27	9299271	138/90 PINZA X CERCHI IN LEGA	138/90 PLIERS FOR ALLOY RIMS	138/90 PINCE POUR JANTES EN	138/90 GREIFZANGE f. ALUFELGEN
28	3001061	LEVA PER CERCHIETTI	SHORT TYRE LEVER	LEVIER POUR TRINGLES	HEBEL f. WULSTKERNE
29	6601002	LEVA ALZATALLONI SMTG CAMION	LONG BEAD LIFTING LEVER	LEVIER DECOLLE-TALONS	WULSTAUSDRUECKHEBEL
30	2010852	GR. UTENSILE DOPPIO PICCOLO	DOUBLE TOOL	OUTIL DOUBLE	DOPPELWERKZEUG
31	4296497	ANELLO OR 144 D.39,69X3,53	O-RING 144 D.39,69x3,53	JOINT OR 144 D.39,69X3,53	O-RING 144 D.39,69X3,53





**CEMB** S.p.A.