



Wind Things Up With Reelcraft

HOSE REEL

OPERATING INSTRUCTIONS & PARTS LIST

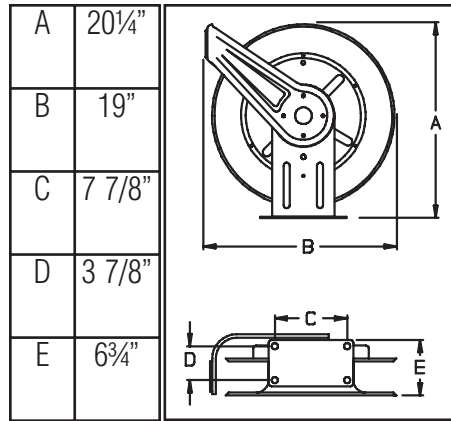
MEDIUM PRESSURE

MODEL

7600 OMB55

SAFETY

- I. Do not use reels at higher pressures or temperatures than listed on the back of this bulletin.
- II. Remove all spring tension before beginning disassembly process.



FOUR 1/2" DIA. MOUNTING HOLES

INSTRUCTIONS

INSTALLATION: A flexible hose connection must be used between the hose reel inlet and the source of supply to prevent possible misalignment and binding.

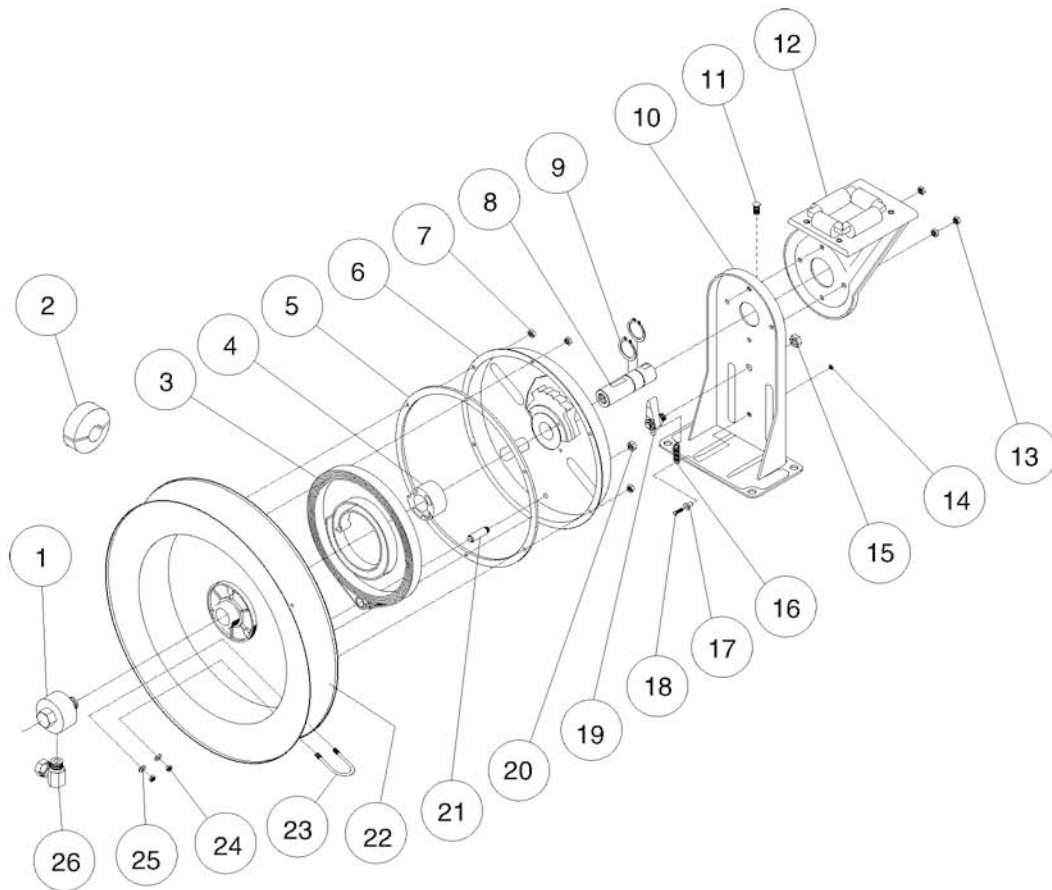
The hose reel is equipped with a universal mounting bracket so that it can be mounted on the floor, wall or ceiling; whichever place is convenient. The hose guide arm can be moved to the position desired by removing the nuts fastening the guide bracket to the reel base. Shift the guide arm bracket so the hose comes off the reel at the desired position and replace the nuts.

LUBRICATION: Hose reel spring and bearings are packed with grease and require no further lubrication.

- REPLACING HOSE:**
1. Wind spool flange clockwise-facing swivel-until spring is tight.
 2. Back off two turns and latch.
 3. Insert hose through roller guide and hole in spool flange.
 4. Connect hose fitting to swivel joint and secure hose with clamp.

ADJUSTMENTS: To adjust spring tension, add or remove wraps of hose from the spool, one wrap at a time until desired tension is obtained.

REPAIRS: Extensive repairs should be performed only by an authorized serviceman or factory to avoid damage which may void your warranty. Remove all spring tension before beginning disassembly process.



ITEM NO.	PART NO.	NO. REQ.	DESCRIPTION	ITEM NO.	PART NO.	NO. REQ.	DESCRIPTION	ITEM NO.	PART NO.	NO. REQ.	DESCRIPTION
1	600374-1	1	Swivel Ass'y	10	600016	1	Base Ass'y	19	S600018	1	Latch Pawl Ass'y
2	600304	1	Hose Bumper Ass'y	11	S35-84	1	1/2-13 x 1/2" Set Screw	20	S76-106	1	3/8-24 Jam Nut
3	S600361	1	Drive Spring Ass'y	12	S600017	1	Guide Arm Ass'y	21	S260031	1	Spring Case Stud
4	600621	1	Spring Arbor Ass'y	13	300107	4	5/16-18 Lock Nut	22	600364	1	Sheave Ass'y
5	S260069	1	Gasket	14	S82-15	1	10-32 x 3/8" Lock Nut	23	2-117440	1	U-Bolt Hose Clamp
6	S260074	1	Spring Case & Ratchet	15	S280-8	1	1/2-20 Hex Flange Nut	24	300070	2	1/4-20 Nyloc Nut
7	300011	6	10-32 Hex Lock Nut	16	S260067	1	Latch Spring	25	300039	2	1/4" Washer
8	261046	1	Main Shaft	17	S400012	1	Latch Bushing	26	S257-25	1	Swivel Union
9	300007	2	1/4" Snap Ring	18	S20-110	1	10-32 x 7/8" Screw	27	300006	1	Screw, Set Pin

Hose I.D. & Length	None
Reel Inlet Connection	3/8" F.P.T.
Maximum Operating Pressure	3000 P.S.I.
Maximum Operating Temperature	210°F