

COATS®

7050 AX/EX

Rim Clamp® Tire Changer

For servicing single piece automotive and most light truck
tire/wheel assemblies



Parts Identification

READ these instructions before placing unit in service KEEP these and other materials delivered with the unit in a binder near the machine for ease of reference by supervisors and operators.

HENNESSY INDUSTRIES, INC.

1601 J. P. Hennessy Drive, LaVergne, TN USA 37086-3565 615/641-7533 800/688-6359

HENNESSY INDUSTRIES INC. Manufacturer of AMMCO®, COATS® and BADA® Automotive Service Equipment and Tools.

Manual Part No.: 8183676 10

Revision: 04/05

Parts Identification

Ref	Part No.	Description	Ref	Part No.	Description
1	8181929	Skt. Hd. Cap Scr., 3/8-16 x 1", Gr.8	65	8102459	3/8" Self Tap Screw Gr.5
2	8181704	Table Top Plate	66	8182327	Spacer-Pedal
5	8182247	Adjustable Rim Clamp	67	8120469	Hair Pin Cotter
6	8182248	Carrier/Cover, Cylinder End, Adj.	69	8107635	5/16" Flat Washer
7	8183476	Roll Pin - Ø1/4" x 3/4"	70	8181675	Pedal, Standard
8	8182297	Link Bolt - Table Top Adj.	71	8181981	Wave Washer, 5/16" I.D.
10	8181734	Pivot Link W/C	72	8181696	Lever-Cam Follower
11	8181731	Pivot Plate - Table Top	73	8181977	Clevis Pin 3/16" x 1-1/2"
12	8181733	Pivot Block	74	8181948	Bearing-Nyliner, 1/2"
13	8183452	Flange Whiz-lock Scr., 5/16-18 x 5/8"	75	8181918	Bar-Valve Brkt. Spacer
14	8182249	Carrier/Cover - Clamp Adj.	76	8181851	B.L. Pad, Front
15	8101039	Nut - Lock, 1/2", Gr.5	77	8181986	Valve, 4-Way w/Pull Pin
16	8182613	Cylinder Assembly-Table Top	78	8106301	1/4" Hex Hd Self Tap Screw, Gr.5
17	8101039	Nut - Lock, 1/2", Gr.5	79	8181695	Cam Mounting Block
18	8181742	16MM x 40mm Hex Head Bolt Gr.10.9	80	8181511	Motor Cable Assembly
19	8182979	Washer - Molded, Ø16mm	81	8180560	Ground Jumper
20	8181990	Spider Assembly	82	8143044	Tinnerman Sq. Captive Nut 3/8-16
21	8182034	Rotary Coupling Assembly	83	8106303	3/8" Whiz Lock Nut, Gr.5
22	8182162	Nut - Hex, 12MM, Gr.8.8	84	8181931	Bracket, Motor Mounting
23	8182670	Spring Stop Bracket	85	8181183	5/16-18 Nylon Insert Lock Nut, Gr.5
24	8181658	Pulley-Transmission	86	8184674	Pulley-Motor
25	8182178	Nut - Whiz Lock, 5/16-18	87	8180217	5/16-18 x 3/8" Soc.Hd.Set Screw, Gr.5
26	8182964	Kit-Transmission	88	8180047	V-Belt, Motor
27	8181984	Hx.Hd.Cp.Scr., 1/4-20 x 1", Gr.5	89	8000491	Lube Applicator
28	8183156	Washer - Ø2" X Ø2 3/4" x .010	90	8106259	Lube Bottle
29	8181699	Lever Assembly - Switch	91	8106301	1/4" Hex Hd Self Tap Screw, Gr.5
30	8181982	Hx.Hd.Cp.Scr., 3MM x 12mm, Gr.5	92	8182807	Side Panel
31	8181728	Lever - Switch Actuator	93	8181949	Clevis Pin-5/8 x 1-3/8
32	8000745	Washer - Flat, Ø1/4"	94	8183312	B.L. Cylinder Assembly
33	8181369	Nut - Lock, Nyl. Ins., 1/4-20, Gr.5	95	8181912	Clip, Clevis
34	8100994	Washer, 2" x .81 x .156	96	8182016	3/4"-10 Gr.5 Nylon Insert Lock Nut
35	8100994	Washer, 2" x .81 x .156	97	8183778	Decal - Lubrication Notice
36	8182363	Spacer - Sw Pedal Lever-Red	98	8180558	Key-Motor
37	8181923	Washer - Stop	99	8181100	Motor, Electric
38	8181948	Bearing-Nyliner, 1/2"	100	8120325	5/16-18 x 1 Ser. Wash.Hd.Scr., Gr.5
39	8181675	Pedal, Standard	101	8120455	10-24 Self Tap Screw, Gr.2
40	8190134	1/4-20 x 3/4 Hex Hd Cap Screw Gr.5	102	8182040	10MM x 55MM Hex Hd.Cap Scr, Gr.5
44	8181707	Torsion Spring	103	8301032	3/8 Flat Washer, Zinc Plate
45	8181872	Sleeve-Torsion Spring	104	8107715	3/8-16 x 1-1/4 Hex Hd. Cap Scr, Gr.8.8
46	8183703	3/4-10 x 10 1/2 Hex Hd Cap Scr, Gr 5	105	8182041	Chassis
47	8111609	Cotter, Hair Pin	106	8182088	5/16 x 1 Torx Screw, Gr.5
48	8183398	Pedal Shaft	107	8181855	Center pad-B.L.
49	8301121	Washer	109	8301072	#6 Internal Tooth Lk Washer
50	8181369	1/4-20 Nylon Insert Lock Nut Gr.5	110	8182011	5/8-11 x 5" Hex Hd Cap Scr, Gr.5
51	8181918	Bar-Valve Brkt. Spacer	111	8183529	B.L. Shoe, Handle & Pivot W/C
52	8181984	1/4 x 1-1/4 Hex Hd Cap Screw, Gr.5	112	8182043	5/8-11 Nylon Insert Lock Nut Gr.5
53	8181983	Button Hd Soc Cap Screw 10-24 x 5/8, Gr.8	113	8107107	Grip-Handle
54	8182957	Switch-Reversing	114	8181951	B.L. SHOE Pivot Bracket
55	8182682	10-24 Nylon Insert Lock Nut Gr.5	118	8182016	3/4"-10 Gr.5 Nylon Insert Lock Nut
56	8181959	Cover-Switch	119	8182579	3/4-10 x 5 Hex Hd. Cap Scr, Gr.5
57	8182682	10-24 Nylon Insert Lock Nut Gr.5	122	8181956	Power Cable Assembly
58	8181708	Extension Spring, Pedal	124	8150128	Cable Connector, 1/2"
59	8183031	Bracket-Valve Mounting	125	8180237	Caution Decal
60	8181989	10-24 x 3/8 Socket Head Cap Screw, Gr.8	126	8120325	5/16-18 x 1 Ser. Wash.Hd.Scr., Gr.5
61	8182627	Cap Plug - 1-5/8" Dia.	128	8104612	3/4" Ext. Tooth Lock Washer
62	8181911	Spacer-Pedal	129	8104610	3/4" N.F. Jam Nut Gr.5
63	8182332	Guard-Foot Pedal	130	8104611	5/8" N.F. Jam Nut Gr.5
64	8106301	1/4" Hex Hd Self Tap Screw, Gr.5	131	8104613	5/8" Ext. Tooth Lock Washer

* Indicates Accessory Item

Parts Identification

Ref	Part No.	Description	Ref	Part No.	Description
132	8107407	Hitch Pin Retainer	197	8005563	Roll Pin, 1/4 x 1 1/2"
133	8181933	Pedal Inflation	198	8183635	3/4-10 x 14" Hex Hd. Cap Scr, Gr. 5
134	8102459	3/8" Self Tap Screw Gr.5	199	8182457	Washer, 3/4"
135	8104673	Bushing (1/4" Valve)	200	8182016	3/4"-10 Gr.5 Nylon Insert Lock Nut
136	8104600	1/4" Valve Comp.	201	8181998	Male Elbow 1/4 NPT x 3/8 Tube
137	8104674	Bushing (3/4" Valve)	202	8107715	3/8-16 x 1-1/4 Hex Hd. Cap Scr, Gr.5
138	8106298	3/4" Valve Ported 1/4"-18 NPT	203	8000240	Washer 1" OD x 13/32 ID x 3/16
139	8182809	Lube Bottle Brkt-Red	204	8181932	Inflation Brkt.
140	8182811	Cover-Infl. Pedal-Red	205	8182457	Washer, 3/4"
141	8181354	Bead Lifting Tool	206	8183770	Filter/Lube Bracket
142	8181986	Valve, 4-Way w/Pull Pin	207	8106301	1/4" Hex Hd Self Tap Screw, Gr.5
144	8180103	3/8 x 3-1/4 Clevis Pin	208	8109769	Decal, Release Valve
145	8107983	Plastic Fastener	209	8101428	Hose Clamp-1/4 I.D. Hose
146	8107517	Gauge Lens, Screw On	210	8180638	Motor Capacitor Only
147	8181114	Knob Assy-Adjusting	*211	8235208	Motorcycle Clamp (Tall)
150	8107985	Flanged Air Gauge w/Fasteners	*212	8181619	Motorcycle Clamp Kit (Tall)
151	8109888	Inflation Warning Decal	*213	8235740	ATV Clamp (Tall)
152	8183638	Spacer, Stand Off	*214	8181891	ATV Clamp Kit (Tall)
153	8182373	Decal, Warning	*215	8108028	Tire Spreader
154	8183630	Short Arm Assembly, W/C	*216	8181329	Spreader Base-Rim Clamp
155	8106302	3/8" Whiz Lock Screw, Gr.5	*217	8435685	Drop Center Aid
156	8181137	3/8-16 x 2-1/4 Hex Hd.Cap Scr, Gr.5	218	8183759	Operating Manual, 7050/7055
157	8106303	3/8" Whiz Lock Nut, Gr.5	*219	8435203	Plastic Clamp Jaw
158	8183626	Arm Assembly, Rear W/C	220	8101428	Hose Clamp-1/4 I.D. Hose
159	8183622	Tower/Air Receiver	221	8182371	Wave Washer, 1-5/8 Dia.
160	8182076	Shim Kit	*222	8181554	Accessory Tray Kit
161	8120424	3/8"-16 Wash Hd. Lock Nut Gr.5	223	8182339	Shim Kit-Swing Arm
162	8182550	Pivot Pin, B.L. Cylinder Rod	224	8182768	Caution Decal-B.L.
163	8183636	Spacer, 7/8 x 2 3/4 x 1 1/2	225	8182770	Bootie-Mount/Demount Head
164	8180230	B.L. Spring	226	8000378	1/4" Brass St. Fitting
165	8182002	B.L. Arm	227	8000376	1/4 x 90° Brass Fitting
166	8182009	Screw, 3/4-10 x 3 3/4" Hex Hd Cap	228	8101428	Hose Clamp-1/4 I.D. Hose
167	8120326	Hitch Pin, Ø 1/2"	229	8102048	Hose, 1/4" x 15"
168	8101018	Washer .392 x .687 x .0478	230	8101428	Hose Clamp-1/4 I.D. Hose
170	8106302	3/8 x 1 NC Hex Hd Cap Scr, Gr.5	231	8182186	Dipstick-Transmission
171	8182027	Washer 7 ga. x .406 ID x 1.28 OD	232	8182185	Tube-Dipstick
172	8140667	1/4-20 x 1/4 Soc.Hd.Set Scr, Gr.8	233	8183639	Handle Grip, Ø7/8"
173	8182786	5MM x 25MM Dowel Pin	234	8183666	Storage Tube
174	8182788	Mount Demount Head Assembly	235	8120408	1/4-20 x 1-3/4 H.H. Cap Scr., Gr.5
175	8182813	3/8-16 x 3/4 Counter Bore Cap Screw Gr.8	236	8143169	1/4-20 Whiz Lock Nut, Gr.5
177	8182787	Roller .562 Diameter x .515 LG.	237	8181970	B.L. Pin Location Decal
178	8182031	Bumper-Rubber	300	8181998	Male Elbow 1/4 NPT x 3/8 Tube
179	8182812	Shaft-Vertical Slide	301	8182036	Nylon Tube 3/8 OD x 12.25" Lg
181	8181035	Lift Pin-Lock Plate	302	8184602	Roller
182	8181113	1/2"-13 Jam Nut Gr.5	303	8184601	Spacer
184	8181788	Lock Plate	304	8110497	Male Elbow 1/8 NPT x 1/4 Hose
185	8181095	1-5/8 Snap Ring	305	8103649	Ø1/4 x 12" Hose
186	8182820-2	Swing Arm, For R.H. Cam Lock	306	8182836	Nylon Tube 3/8 OD x 15.50" Lg
187	8181038	Pivot Pin-Swing Arm	307	8182035	Male St Fit. 1/8 NPT x 1/4 Tube
188	8182028	Spring-Vertical Slide	308	8181988	Male Brch. Tee 1/4 NPT x 3/8 Tube
189	8183649	Soc Hd Set Screw 1/4-20 x 5/16	309	8112310	Washer - Flat
190	8183673	Lock Handle/Lift Cam W/C, R.H.	310	8000378	1/4" Brass St. Fitting
191	8100979	Handle Grip, Black Flex 3/4 I.D.	311	922956	3/8-16 x 2 Hex Hd Cap Screw
192	8181771	Knob-Vertical Slide	312	8184598	Handle
193	8182029	5/16-1 x 1-1/2 BH Soc. Cap Scr, Gr.8	313	8181988	Male Brch. Tee 1/4 NPT x 3/8 Tube
194	8183502	Manifold Bleed Valve Assembly	314	8101346	3/4" Hose Clamp
195	8301017	Ball, Ø1/2", Steel	315	8181349	Rotary Coupling
196	8183641	Foot, Hold Down, Plastic	316	8104844	St Fitting 1/8 NPT x 1/4 Hose

* Indicates Accessory Item

Parts Identification

Ref	Part No.	Description	Ref	Part No.	Description
317	8181713	O-Ring Seal, Large (2-244)	393	8101898	3/8" Hose Fitting
318	8181712	O-Ring Seal, Small (2-142)	394	8140963	Decal - CSA Caution
319	8106289	Ø1/4" x 22" Hose	395	8181147	Hose 3/8 x 17-1/4" Lg.
320	8106289	Ø1/4" x 22" Hose	396	8314012	Decal - CSA (146012)
321	8000378	1/4" Brass St. Fitting	397	8101428	Hose Clamp-1/4 I.D. Hose
322	8181986	Valve, 4-Way w/Pull Pin	398	8182788	Mount Demount Head Assembly
323	8181988	Male Brch. Tee 1/4 NPT x 3/8 Tube	400	8182827	Filter-Lubricator
324	8183310	Bottom Cap, B.L. Cylinder	401	8183199	6mm x 16mm Soc Hd Cap Screw
325	8182079	Seal Kit, B.L. Cylinder	402	8000372	1/4" x 90° Street Ell
326	8100957	3/4" NC Locknut Gr. 5	403	8101898	3/8" Hose Fitting
327	8181860	Washer-Lower, B.L. Cylinder	405	8182497	Hose 3/8" x 36" Lg.
328	8183519	Shaft/Washer Assembly	406	8104584	Ring Clamp Ø3/4" Hose
329	8181574	Barrel, B.L. Cylinder	407	8101898	3/8" Hose Fitting
330	8181862	Tie Bolt, 1/2-13 x 10-1/4" Lg.,Gr.5	408	8101346	3/4" Hose Clamp
331	8183309	Top Cap, B.L. Cylinder	409	8104573	Fitting, Straight-3/4"
332	8181998	Male Elbow 1/4 NPT x 3/8 Tube	410	8182090	Hose 3/4" x 61" Lg.
333	8181999	Male Elbow 1/4 NPT x 3/8 Tube	413	8184600	Drop Center Tool Assembly
334	8182004	Nylon Tube 3/8" x 30" Lg.	416	8000378	1/4" Brass St. Fitting
335	8182005	Nylon Tube 3/8" x 20" Lg.	418	8104968	Safety Valve
336	8182004	Nylon Tube 3/8" x 30" Lg.	419	8183434	Manifold/Gauge Protector
340	8181915	Pin, Dowell M5 x 20	420	8108968	Air Gauge
342	8107924	3/4 Nylon Elbow	421	8182734	Muffler
345	8101346	3/4" Hose Clamp	422	8182004	Nylon Tube 3/8" x 30" Lg.
346	8104652	Poppet, 3/4" Valve	423	8181988	Male Brch. Tee 1/4 NPT x 3/8 Tube
347	8104651	Spring, 3/4" Valve	424	8181986	Valve, 4-Way w/Pull Pin
348	8106350	End Cap, 3/4" Valve	425	8181999	Male Elbow 1/4 NPT x 3/8 Tube
350	8107924	3/4 Nylon Elbow	426	8181206	Muffler-1/2" NPT
351	8182071	Fitting, Special Male Branch Tee	427	8182736	3/8 NPT Street Ell
352	8000378	1/4" Brass St. Fitting	428	8000580	Nipple - Close, 1/4 NPT
353	8101428	Hose Clamp-1/4 I.D. Hose7	430	8181191	Valve, Quick Exhaust
355	8181998	Male Elbow 1/4 NPT x 3/8 Tube	431	8181999	Male Elbow 1/4 NPT x 3/8 Tube
357	8120332	Grip-Handle	432	8181203	1/2"-1/4" Reducing Bushing
358	8181587	Circuit Breaker	433	8181190	Airmotor, Gast. 6AM
359	8181954	Hose 3/4" x 31" Lg.-Black	434	8182005	Nylon Tube 3/8" x 20" Lg.
360	8104649	Poppet, 1/4" Valve	435	8182005	Nylon Tube 3/8" x 20" Lg.
361	8102468	Poppet Spring, 1/4" Valve	436	8182003	Nylon Tube 3/8" x 18-3/4" Lg.
362	8105671	End Cap, 1/4" Valve	437	8106301	1/4" H.H. Self Tap Scr., Gr.5
363	8102048	Hose 1/4" x 15"	438	8150441	1/4" Star Lock Washer
364	8182080	Seal Kit, T.T. Cylinder	439	8301142	Washer, 1/4" Spring Lock
365	8181183	5/16-18 Nylon Insert Lock Nut Gr.5	440	8107440	1/4-20 Hex Nut Gr.5
366	8181622	Cap-Cylinder Bottom	441	8182141	Cord-Entrance to Switch
367	8182719	1/2-13 Locking Jam Nut, Gr.5	442	8143254	Wire Joint
368	8182062	Washer 1-38 OD x 1/2 ID x .062	457	8182341	Automatic Drain Kit, F/L
369	8181629	Shaft-Tabletop Cyl.	458	8182737	Kit-Muffler & St. Ell
370	8181627	Sleeve-Cylinder	500	8111083	Regulator
371	8181620	Cap-Cylinder Top	502	8109472	1/8" Inline Filter
372	8181633	Tie Bolt-Tabletop Cylinder	503	8110496	Volumn Chamber
373	8000481	Hose 1/4" x 6"	504	8109471	1/8" Brass Hex Nipple
374	8182008	Hose 3/8" x 50	505	8109468	Pressure Repeater
375	8101428	Hose Clamp-1/4 I.D. Hose	506	8182035	Male St Fit. 1/8 NPT x 1/4 Tube
376	8101312	Air Chuck	507	8103649	1/4" Hose x 12" Lg.
378	8182598	Inflation Manifold	508	8109466	Valve-Piloted
379	8000378	1/4" Brass St. Fitting	511	8182037	Nylon Tube 1/4 OD x 10" Lg.
380	8101346	3/4" Hose Clamp	513	8110325	1/4" NPT Male Run Tee
381	8181993	Hose, 3/4" x 15 1/2"	514	8110497	Fitting-90 Deg. Male Elbow
382	8101428	Hose Clamp-1/4 I.D. Hose	515	8111255	Spl Tee-1/4 NPT x 3/8 x 1/4 Tube
386	8181998	Male Elbow 1/4 NPT x 3/8 Tube	516	8181998	Male Elbow 1/4 NPT x 3/8 Tube
392	8182464	Strainer Screen	517	8105822	Hose Clamp-9/16 I.D. Hose

* Indicates Accessory Item

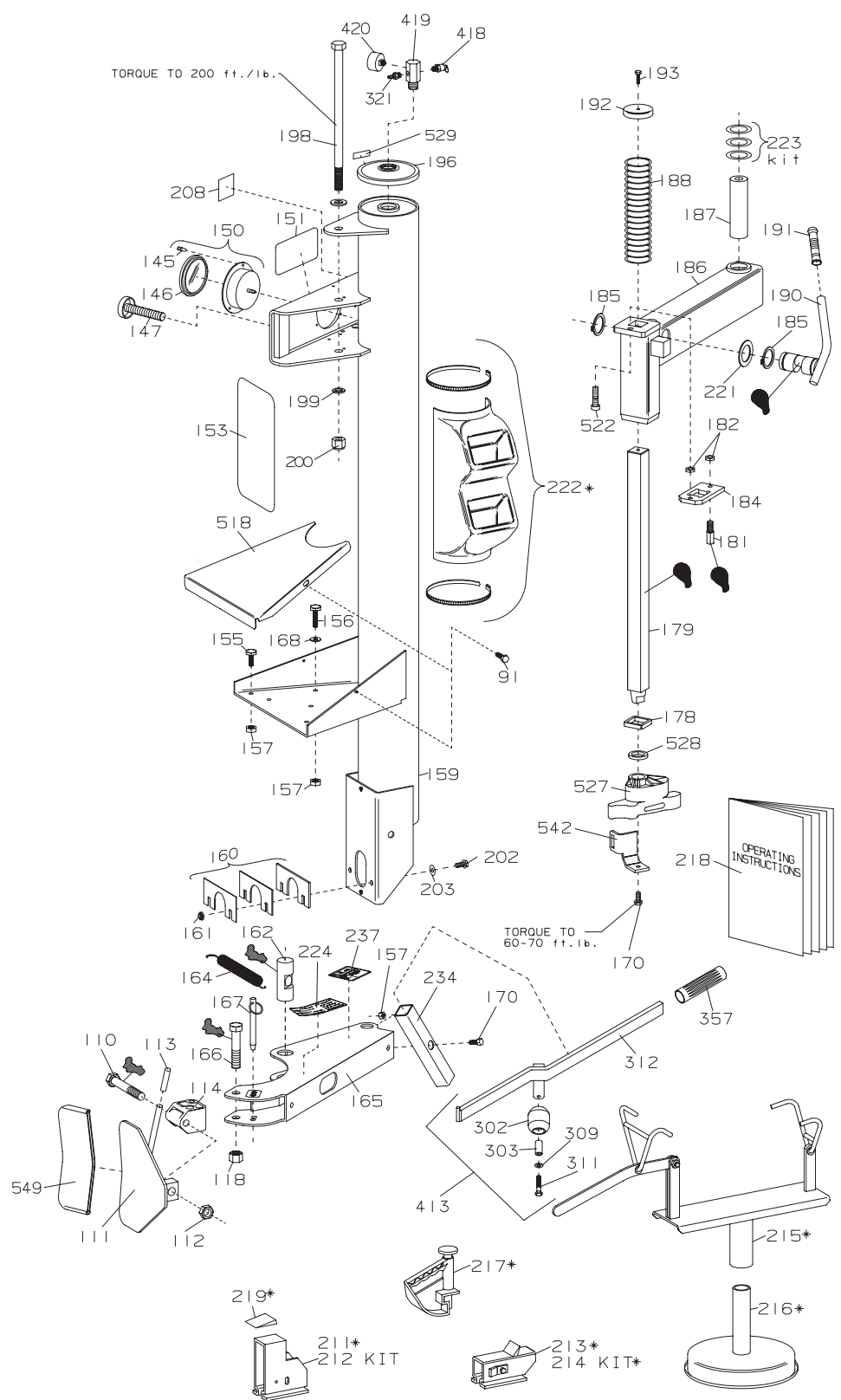
Parts Identification

Ref	Part No.	Description
518	8182805	Cover-Upper Tower Support
519	8182457	Washer, 3/4"
520	8182558	3/4" Belleville Washer
521	8182557	Spacer-Washer, B.L.
522	8181740	SHCS 1/2-13 x 1-3/4, Gr.5
523	8181207	3/8" NPT Close Nipple
524	8182872	Holder - Shop Ticket
525	8182821	Chart - Maint.
526	8120441	Tie - Cable
527	8182960	Mount/Demount Head (PLASTIC)
528	8183033	Washer
529	8182059	Decal, Line Press Gauge
531	8105615	Muffler 1/4" NPT
532	8182044	Clamp Neoprene Cushion
533	8184226	Grease Fitting
534	8109481	Fitting, Red 1/4 NPT x 1/8 NPT
535	8181996	St. Fitting, 1/8 NPT x 1/8 Tube
536	8183642	Valve, 3 Position Hand Operated
537	8181997	Fitting, 90° Elbow, 1/8 x 1/8
538	8183680	Tube, Ø1/8" x 27"
539	8183679	Tube, Ø1/8" x 6"
540	8184243	Hose, 1/4" x 49" Red
541	8183644	Cyl. Assem. Ø2" x 18" Stroke
542	8183665	Bracket Reciever, Bead Roller Tool
543	8183637	Ext Retaining Ring 2"
544	8183683	Decal, Information
545	8182250	Adj. Clamp Plunger/Spring Assem.
546	8182083	3/4-10 Hex Jam Nut
547	8182024	Ball Ø1/4", Steel
548	8182025	Inflation Nozzle
549	8183606	Bootie Kit, Shoe, Pkg of 2
550	8183605	Bootie, Lift Tool, Pkg of 10
551	8183604	Bootie, Rim Clamp, Pkg of 10
552	8182366	Close Nipple, 1/4" NPT

* Indicates Accessory Item

Parts Identification

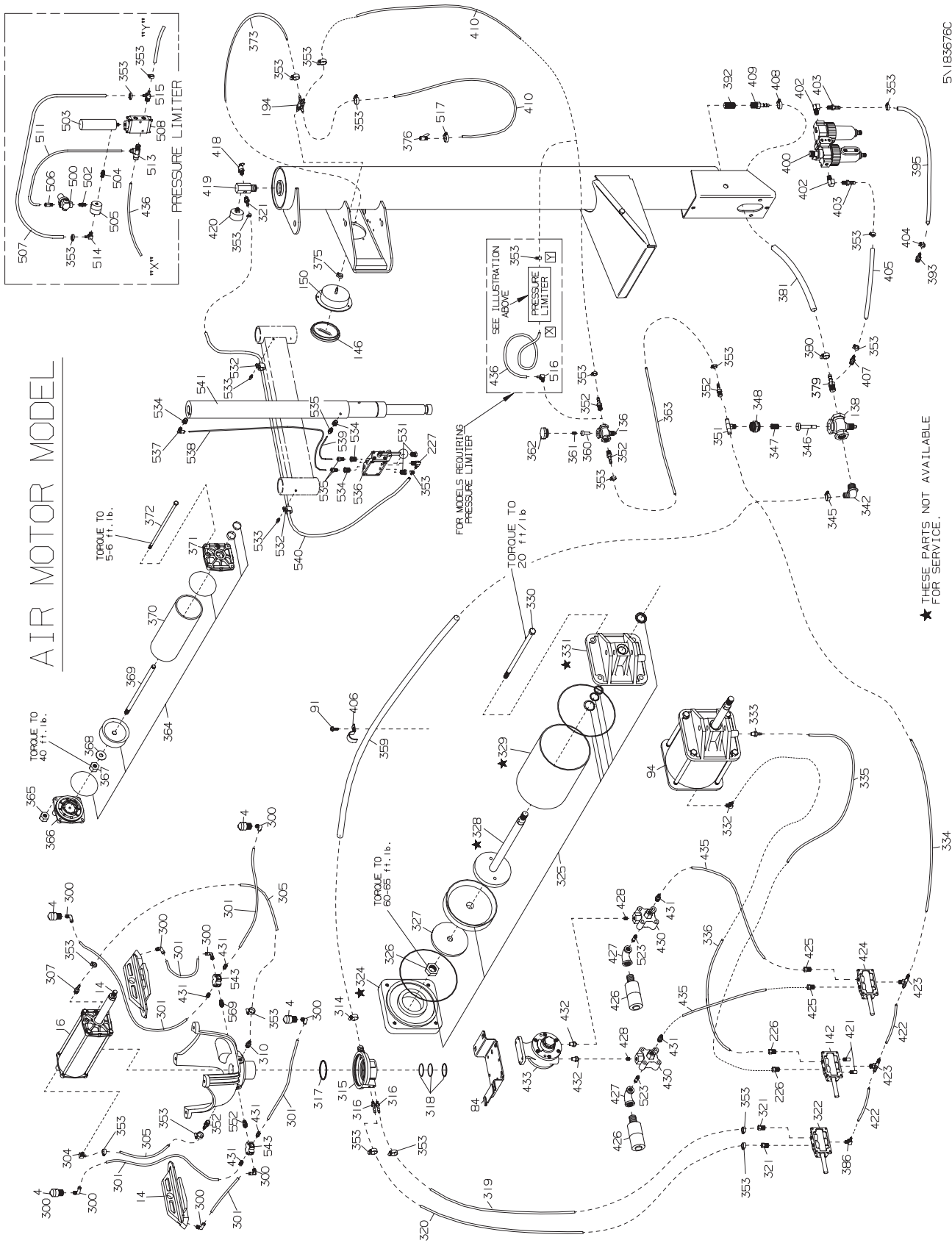
*



* INDICATES ACCESSORY ITEM

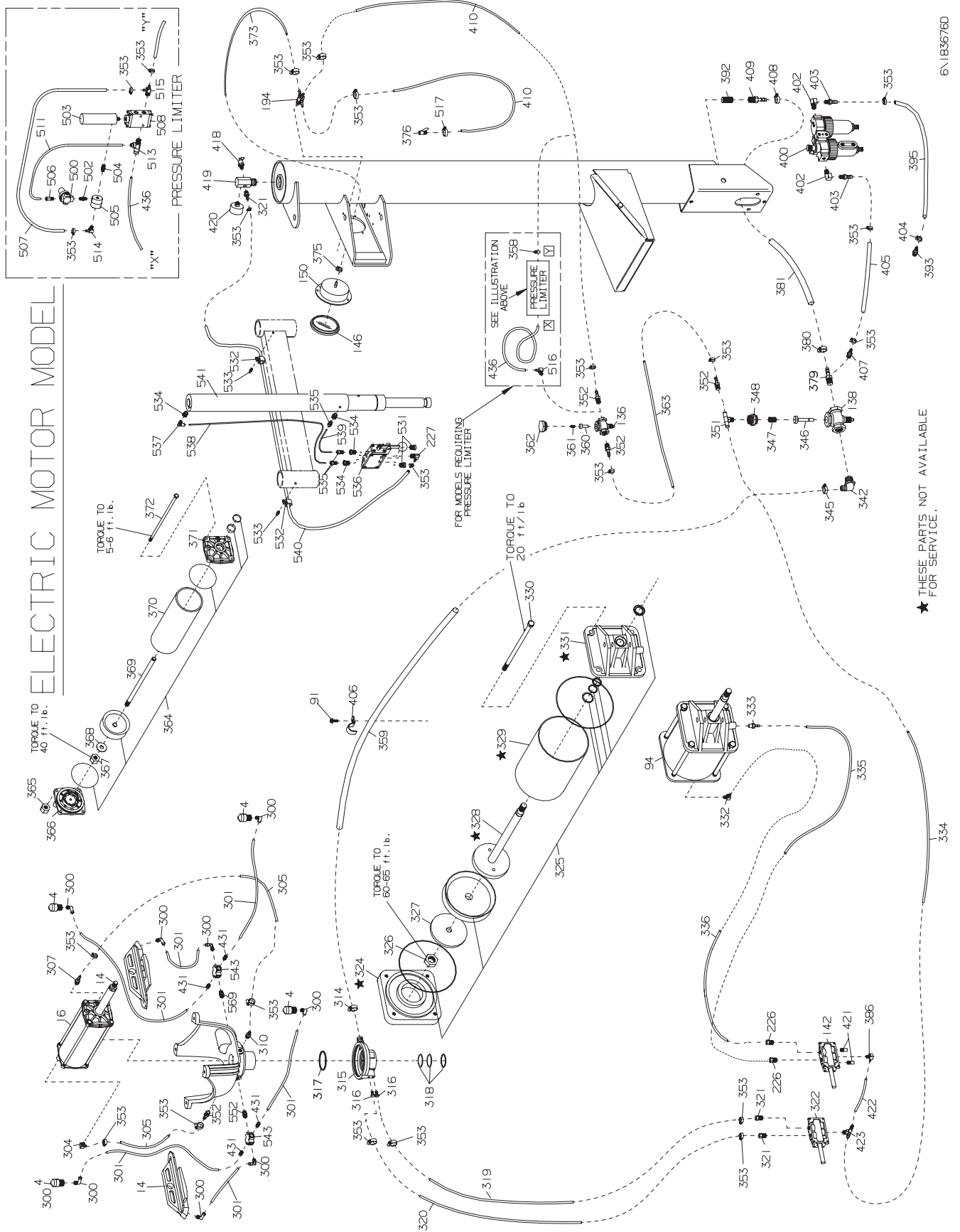
4\183676B

Parts Identification



Parts Identification

ELECTRIC MOTOR MODEL

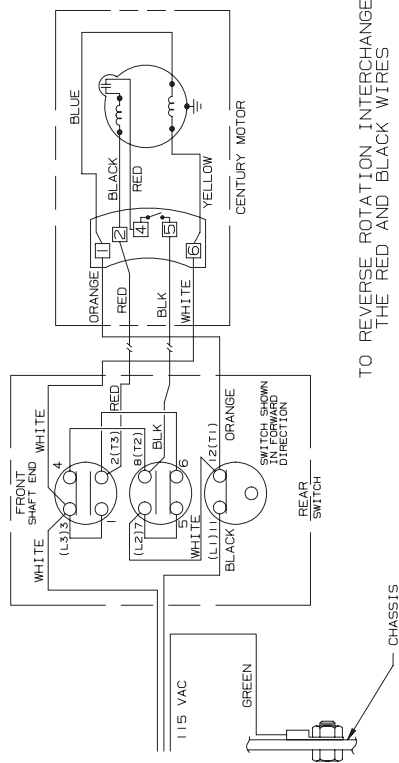


★ THESE PARTS NOT AVAILABLE FOR SERVICE.

611836760

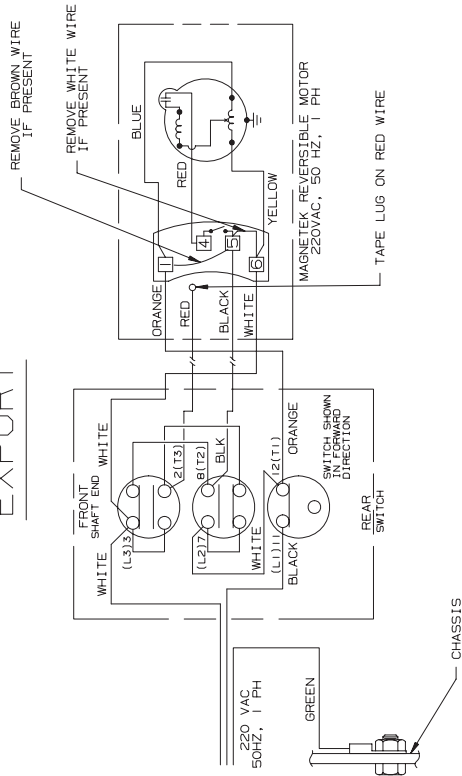
WIRING DIAGRAMS

DOMESTIC



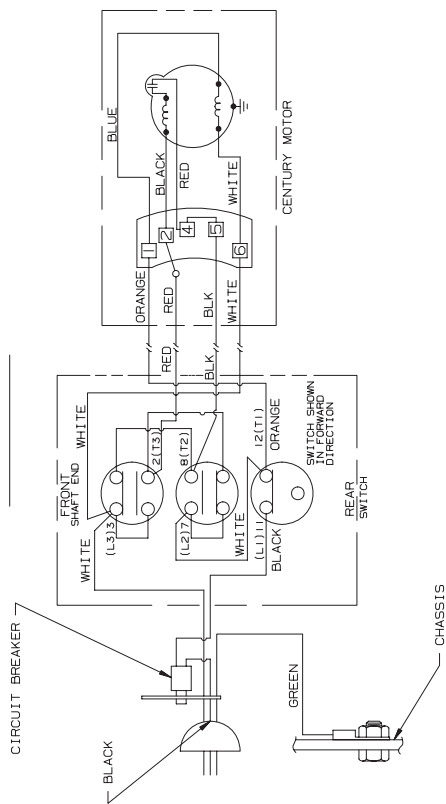
TO REVERSE ROTATION INTERCHANGE THE RED AND BLACK WIRES

EXPORT



TO REVERSE ROTATION INTERCHANGE THE RED AND BLACK WIRES

C.S.A.



TO REVERSE ROTATION INTERCHANGE THE RED AND BLACK WIRES

Parts Identification

Rim Clamp® Tire Changer

All-Air Unit Compressed Air Requirements

COATS® Rim Clamp® tire changers that are powered entirely by air (no electric motor) require a single compressed air power source. Refer to the table below for exact specifications.

Tire Changer Model	Compressor Size	Capable of
7660/7665 AX/EX	5HP	14-15 SCFM at 150 PSI
7650/7655 AX/EX	5HP	14-15 SCFM at 150 PSI
7060/7065 AX/EX	5HP	14-15 SCFM at 150 PSI
7050/7055 AX/EX	5HP	14-15 SCFM at 150 PSI

Oiler and Water Separator Maintenance

The oiler and water separator (on units so equipped) require weekly service. Oil and water levels (indicated on the level gauge on the side of each bowl) should be checked regularly

1. The units are equipped with an automatic drain on the water separator and the presence of water under the separator bowl indicates proper function.
2. Add oil to the oiler if the fluid level is more than 1/4" from the top of the gauge. Remove the filler plug in the top of the oiler, and add SAE 10W non-detergent oil or an air tool oil to bring the level up to 1/4" from the top of the gauge. Replace the filler plug and clean up any spilled oil.
3. On oiler units, adjust the oil flow by rotating the black flow adjustment knob to increase or decrease the flow. Watch the formation of oil drops in the see-through oil chamber. Continually cycle the bead loosener through full strokes and count the drops during the cycles. The delivery of oil to the air line should be about 1 drop per 10 cylinder cycles. Adjust the flow as required.

Note: An alternate adjustment method for the oil flow is to turn the knob fully clockwise to stop the flow, then turn it back counterclockwise 1/4 turn.

Transmission Lubrication

The transmission in this machine is a sealed unit packed with grease and should need no regular maintenance.

Air Gauge Check and Recalibration

1. Inflate a standard 15" passenger car tire/wheel assembly to 32 PSI. Use a high quality stick-type pressure gauge to verify the pressure. Attach the tire changer's inflation hose to the valve stem and check the pressure reading on the air gauge. If it does not read 32 PSI, recalibrate the gauge.
2. Remove the screw-on lens. Loosen the 2 screws on the face of the gauge. Loosen them just enough so that the gauge face moves. Do not remove the screws.
3. Rotate the gauge face until the 32 PSI mark is aligned with the gauge needle. Tighten the 2 screws and replace the lens.

Danger, Warning, Caution, and Instructional Decals

Always make the cleaning of these important decals a part of your regular maintenance routine. If they are damaged or illegible, replace them immediately. Your safety, and the safety of others is involved!