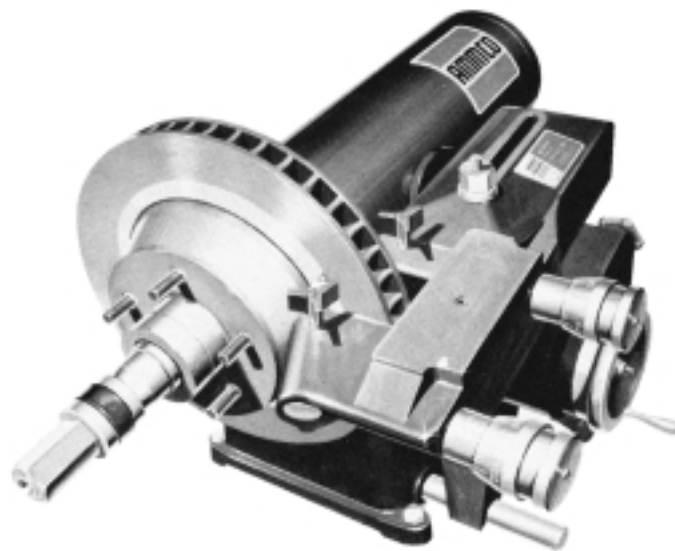




7000 Disc Rotor Lathe



Parts Identification

READ these instructions before placing unit in service. KEEP these and other materials delivered with the unit in a binder near the machine for ease of reference by supervisors and operators.

HENNESSY INDUSTRIES, INC.

1601 J. P. Hennessy Drive, LaVergne, TN USA 37086-3565 615/641-7533 800/688-6359

HENNESSY INDUSTRIES INC. Manufacturer of AMMCO®, COATS® and BADA® Automotive Service Equipment and Tools.

Manual Part No.: 940941 00

Revision: 06/01

Parts Identification

Parts Identification

Table of Contents

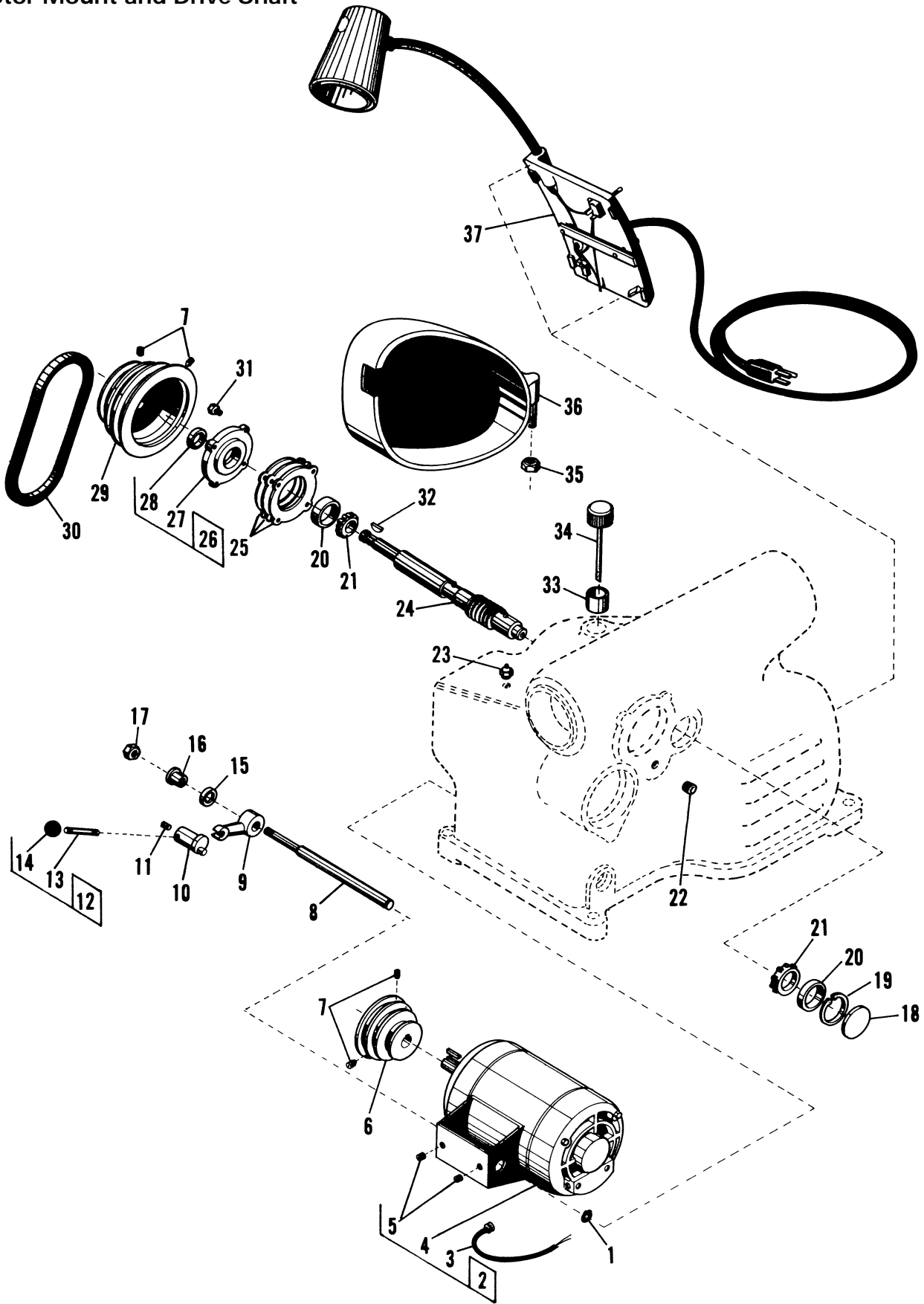
| | |
|---------------------------------------|-------|
| Motor Mount and Drive Shaft | 4 - 5 |
| Spindle | 5 |
| Cross Feed Controls | 6 - 7 |
| Cross Feed Drive | 8 - 9 |
| Electrical Panel Assembly | 10 |
| Twin Cutter, #6900 | 11 |

Parts Identification

The following pages include full parts breakdowns with exploded view illustrations to help with ordering replacement or spare parts. Assemblies are noted where it is recommended that individual parts not be ordered separately. These parts are available only as assemblies because some parts are staked, pinned, or press fitted, then drilled, machined, or bored. Close tolerances must be maintained in assembly. Every effort is made to supply accurate exploded views, however, due to interim changes in manufacturing operations, some units may not be exactly as illustrated.

Parts Identification

Motor Mount and Drive Shaft



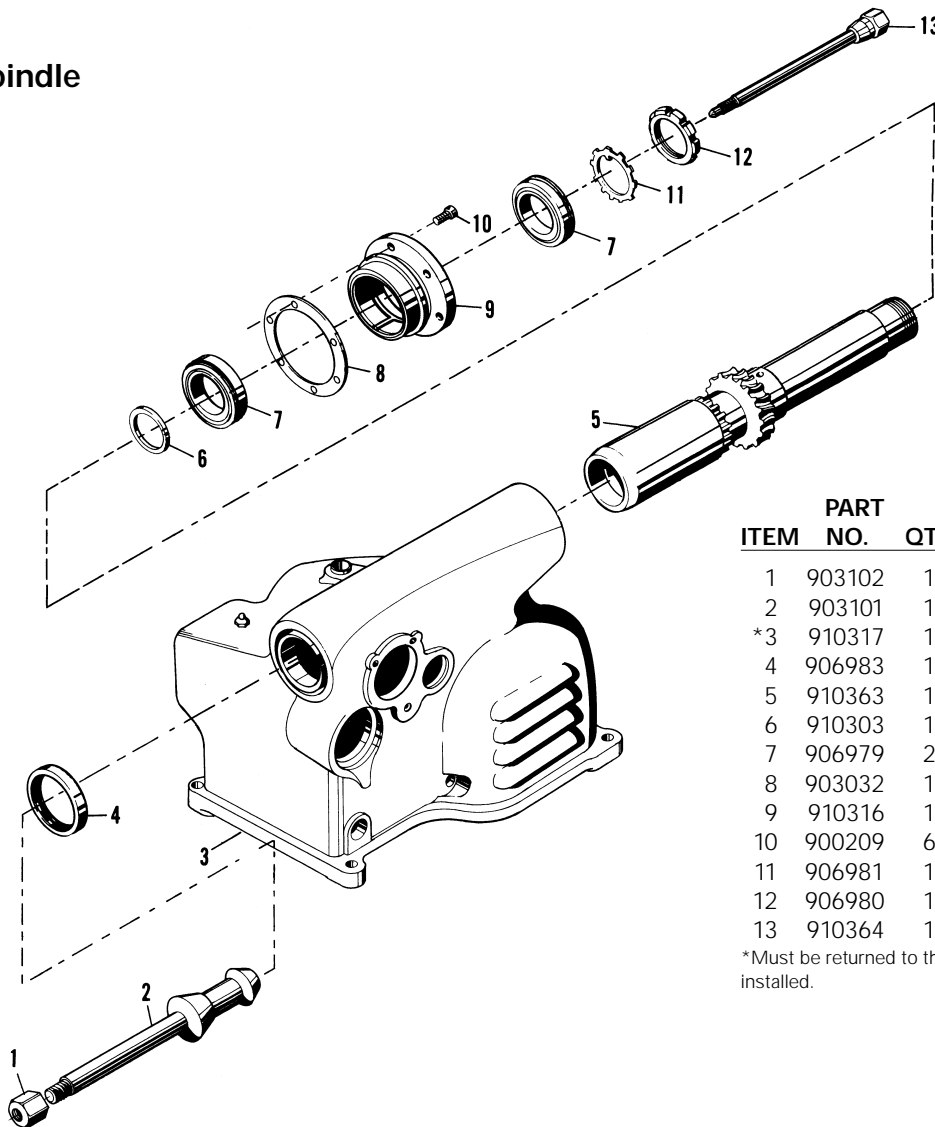
Parts Identification

| ITEM | PART NO. | QTY | DESCRIPTION |
|------|----------|-----|-----------------------------|
| 1 | 906766 | 1 | Ring, "O" |
| 2 | 907706 | 1 | Motor Assembly |
| 3 | 903244 | 1 | Wire, Motor Lead |
| 4 | 902165 | | |
| 5 | 906864 | 2 | Screw, Set |
| 6 | 910305 | 1 | Pully, Drive |
| 7 | 900220 | 4 | Screw, Set |
| 8 | 903023 | 1 | Shaft, Motor Mount |
| 9 | 903015 | 1 | Lever, Belt Release |
| 10 | 903035 | 1 | Pin, Eccentric Belt Release |
| 11 | 903180 | 1 | Screw, Socket Head |
| 12 | 907348 | 1 | Belt Tension Lever Assembly |
| 13 | 903088 | 1 | Shaft, Belt Release |
| 14 | 900320 | 1 | Knob, Ball |
| 15 | 902364 | * | Washer, Wave |
| 16 | 903223 | 1 | Bushing, Motor Mount Shaft |
| 17 | 903377 | 1 | Nut, Hex |
| 18 | 903166 | 1 | Plug |
| 19 | 903172 | 1 | Ring, Snap |
| 20 | 903394 | 2 | Cup, Bearing |

| ITEM | PART NO. | QTY | DESCRIPTION |
|------|----------|-----|-------------------------------|
| 21 | 903393 | 2 | Cone, Bearing |
| 22 | 903372 | 1 | Plug, Allen Pipe |
| 23 | 922006 | 1 | Fitting, Grease |
| 24 | 909847-C | 1 | Shaft, Drive With Roll Pins |
| 25 | 903169 | * | Shim, .005" |
| | 903170 | * | Shim, .007" |
| | 903171 | * | Shim, .020" |
| 26 | 903186 | 1 | Cap Bearing "O" Seal Assembly |
| 27 | 903010 | 1 | Cap, Bearing Seal |
| 28 | 903163 | 1 | Seal, Oil |
| 29 | 910304 | 1 | Pulley, Driven |
| 30 | 903161 | 1 | Belt, "V" |
| 31 | 900236 | 4 | Screw, Cap Hex Head |
| 32 | 924446 | 1 | Key |
| 33 | 910397 | 1 | Sleeve, Oil Filler |
| 34 | 903148 | 1 | Dipstick, Oil |
| 35 | 911273 | 1 | Nut, Hex |
| 36 | 903005 | 1 | Guard, Belt w/Pin |
| 37 | 910352 | 1 | Electrical Panel Assembly |

*Quantity As Required

Spindle

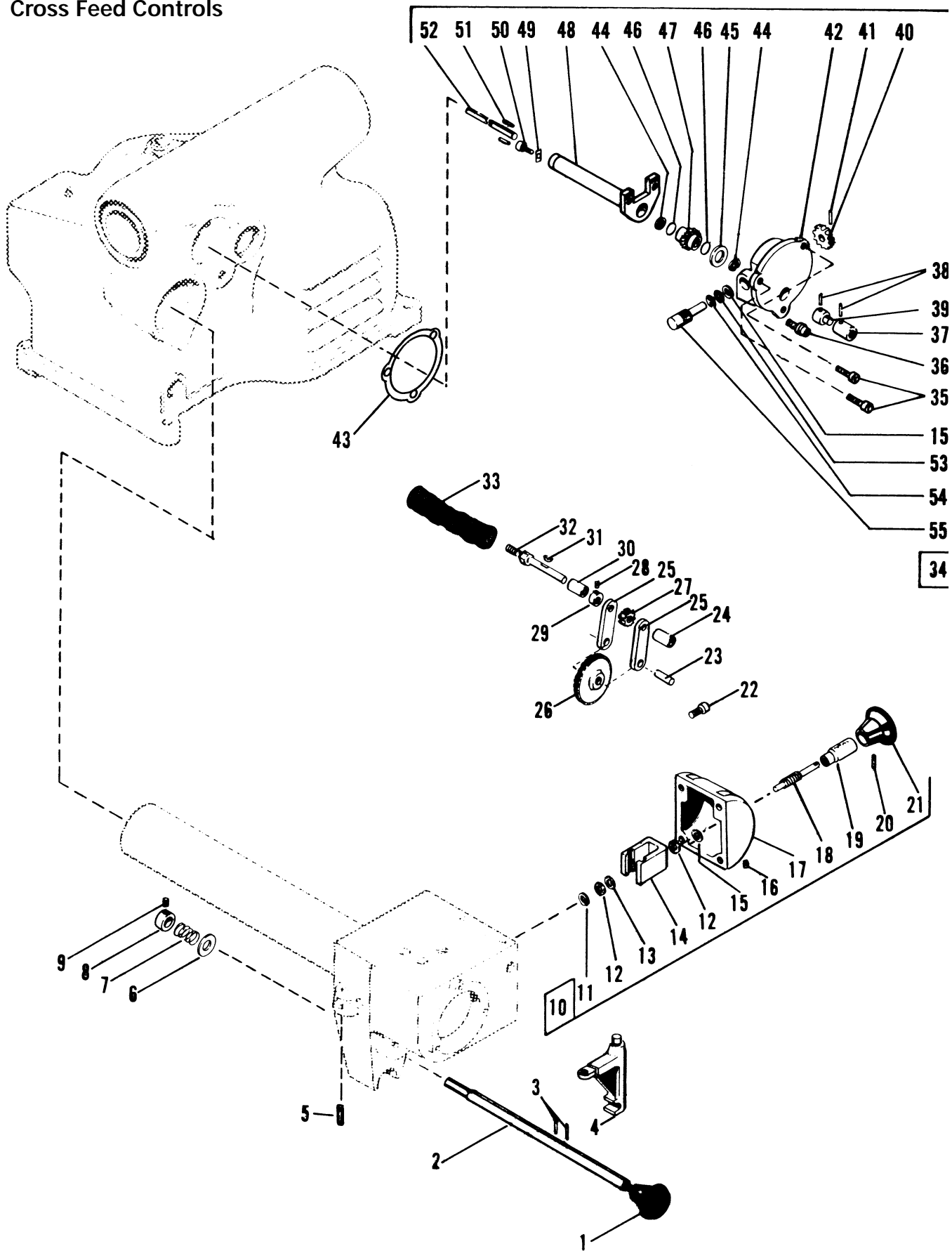


| ITEM | PART NO. | QTY | DESCRIPTION |
|------|----------|-----|-------------------------|
| 1 | 903102 | 1 | Nut, Arbor |
| 2 | 903101 | 1 | Arbor |
| *3 | 910317 | 1 | Frame, Main |
| 4 | 906983 | 1 | Seal, Oil |
| 5 | 910363 | 1 | Spindle & Gear Assembly |
| 6 | 910303 | 1 | Spacer |
| 7 | 906979 | 2 | Bearing |
| 8 | 903032 | 1 | Shim |
| 9 | 910316 | 1 | Flange, Rear |
| 10 | 900209 | 6 | Screw |
| 11 | 906981 | 1 | Washer, Lock |
| 12 | 906980 | 1 | Nut, Lock |
| 13 | 910364 | 1 | Drawbar |

*Must be returned to the factory for reborning when new bushings are installed.

Parts Identification

Cross Feed Controls

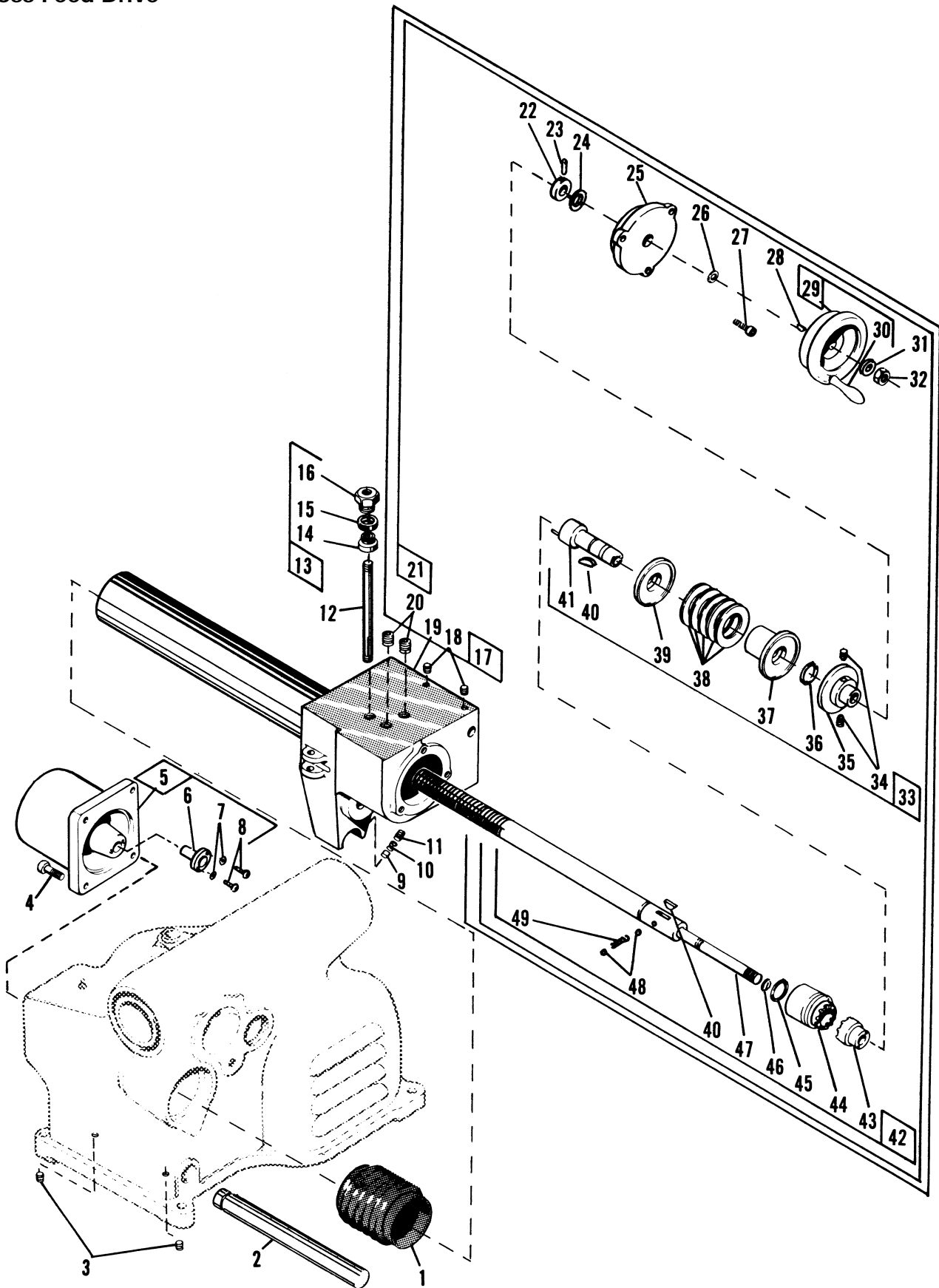


Parts Identification

| ITEM | PART NO. | QTY | DESCRIPTION |
|------|----------|-----|--|
| 1 | 906986 | 1 | Knob, Shut-Off Rod |
| 2 | 910344 | 1 | Rod, Shut-Off |
| 3 | 901963 | 2 | Pin |
| 4 | 910365 | 1 | Arm & Pin Assembly |
| 5 | 903177 | 1 | Pin |
| 6 | 900279 | 1 | Washer |
| 7 | 903493 | 1 | Spring |
| 8 | 903039 | 1 | Collar |
| 9 | 900212 | 1 | Screw, Set |
| 10 | 910354 | 1 | Cross Slide Speed Control Cover Assembly |
| 11 | 902304 | 1 | Ring, Retaining |
| 13 | 928889 | 1 | Washer, Wave |
| 14 | 910321 | 1 | Fork |
| 15 | 906973 | 3 | Washer, Thrust |
| 16 | 906891 | 1 | Screw, Set |
| 17 | 910330 | 1 | Cover |
| 18 | 910337 | 1 | Rod, Adjusting |
| 19 | 910336 | 1 | Bushing |
| 20 | 904096 | 1 | Pin |
| 21 | 910331 | 1 | Knob, Feed Control |
| 22 | 900208 | 4 | Screw, Socket Head |
| 23 | 906967 | 1 | Shaft, Friction Drive |
| 24 | 910341 | 1 | Bushing, Support |
| 25 | 910329 | 2 | Link |
| 26 | 910326 | 1 | Gear, Friction Drive |
| 27 | 910327 | 1 | Gear |
| 28 | 903653 | 1 | Pin, Roll |
| 29 | 910379 | 1 | Collar, Stop |
| 30 | 910338 | 1 | Bushing |
| 31 | 906971 | 1 | Key |
| 32 | 910378 | 1 | Shaft, Input |
| 33 | 928824 | 1 | Boot & Spring |
| 34 | 928809 | 1 | Cross Feed Power Take-Off Assembly |
| 35 | 903221 | 2 | Screw, Socket Head |
| 36 | 906985 | 1 | Screw, Shoulder |
| 37 | 910377 | 1 | Coupling, Driven |
| 38 | 906106 | 2 | Pin, Roll |
| 39 | 910376 | 1 | Coupling, Drive |
| 40 | 910311 | 1 | Gear, Drive |
| 41 | 904006 | 1 | Pin, Roll |
| 42 | 928797 | 1 | Support, Gear |
| 43 | 910359 | 1 | Gasket, Gear Support |
| 45 | 928741 | 2 | Sealed Drawn Cup Bearing |
| 47 | 928823 | 1 | Gear, Worm |
| 48 | 928799 | 1 | Oil Tube Assembly |
| 50 | 905646 | 2 | Screw, Cap Socket Head |
| 52 | 928822 | 1 | Rod, Drive |
| 53 | 906976 | 1 | Bearing, Thrust |
| 54 | 906975 | 1 | Washer, Thrust |
| 55 | 910301 | 1 | Worm |
| 58 | 928825 | 1 | Shaft Assembly |

Parts Identification

Cross Feed Drive



Parts Identification

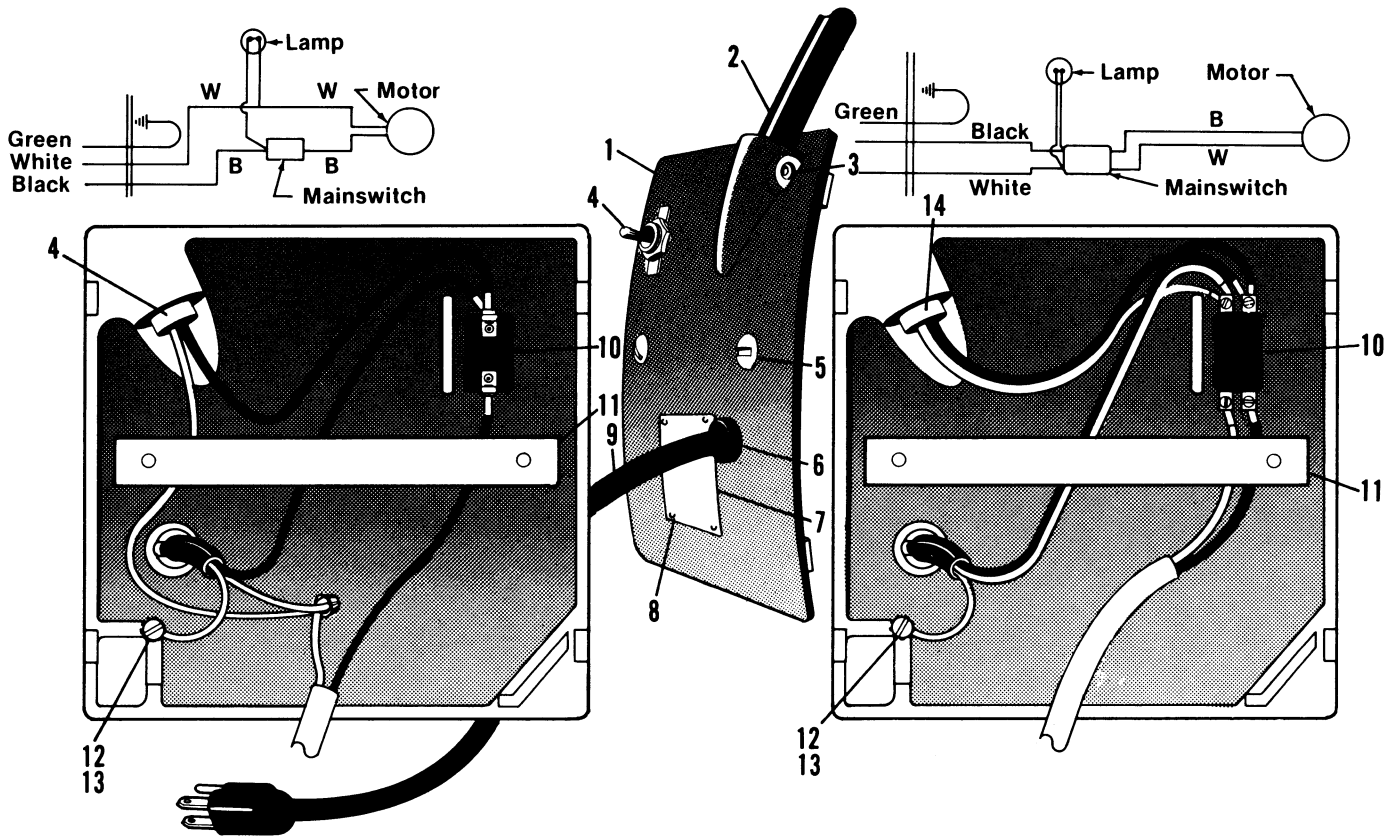
| ITEM | PART NO. | QTY | DESCRIPTION |
|------|----------|-----|-------------------------------|
| 1 | 903087 | 1 | Boot |
| 2 | 910346 | 1 | Bar, Cross Feed Guide |
| 3 | 901680 | 2 | Screw, Set |
| 4 | 901127 | 4 | Screw, Cap Socket Head |
| 5 | 928368 | 1 | Lead Screw Cap Assembly |
| 7 | 903910 | 1 | Washer, Lock |
| 8 | 928367 | 2 | Screw, Machine |
| 9 | 909836 | 2 | Plug |
| 10 | 902064 | 1 | Spring |
| 11 | 900220 | 1 | Screw, Set |
| 12 | 903031 | 1 | Stud, Tool Clamp |
| 13 | 911227 | 1 | Nut & Washer Assembly |
| 14 | 911224 | 1 | Washer |
| 15 | 911225 | 1 | Retainer |
| 16 | 911221 | 1 | Nut, Locking |
| 17 | 910350 | 1 | Cross Feed Assembly |
| 18 | 900212 | 2 | Screw, Set |
| 19 | 910323 | 1 | Cross Feed & Bushing Assembly |
| 20 | 906990 | 2 | Screw, Set |
| 21 | 910357 | 1 | Lead Screw & Clutch Assembly |
| 22 | 910334 | 1 | Collar, Stop |
| 23 | 904006 | 1 | Pin, Roll |
| 24 | 906973 | 1 | Washer, Thrust |
| 25 | 910358 | 1 | Cover & Bushing Assembly |
| 26 | 906726 | 1 | Washer |
| 27 | 900208 | 3 | Screw, Cap Socket Head |
| 28 | 906972 | 1 | Key |
| 29 | 910353 | 1 | Handwheel Assembly |
| 30 | 903026 | 1 | Crank |
| 31 | 900278 | 1 | Washer |
| 32 | 928299 | 1 | Nut |
| 33 | 910355 | 1 | Friction Drive Assembly |
| 34 | 911102 | 2 | Screw, Set |
| 35 | 910324 | 1 | Disc, Fixed Friction |
| 36 | 903174 | 1 | Ring, Retaining |
| 37 | 910325 | 1 | Disc, Friction |
| 38 | 903062 | 10 | Spring, Bellville |
| 39 | 910335 | 1 | Retainer |
| 40 | 903176 | 2 | Key |
| 41 | 910356 | 1 | Drive Shaft & Pin Assembly |
| 42 | 925310 | 1 | Lead Screw & Clutch Assembly |
| 43 | 910320 | 1 | Clutch, Drive |
| 44 | 910322 | 1 | Clutch, Driven |
| 45 | 906969 | 1 | Ring, Snap |
| 46 | 906138 | 1 | Ring, Snap |
| 47 | 910318 | 1 | Screw, Lead |
| 48 | 900311 | 1 | Ball, Steel |
| 49 | 903060 | 2 | Spring |
| 50 | 928529 | 1 | Lead Screw Nut Kit |

Parts Identification

Electrical Panel Assembly

110 V

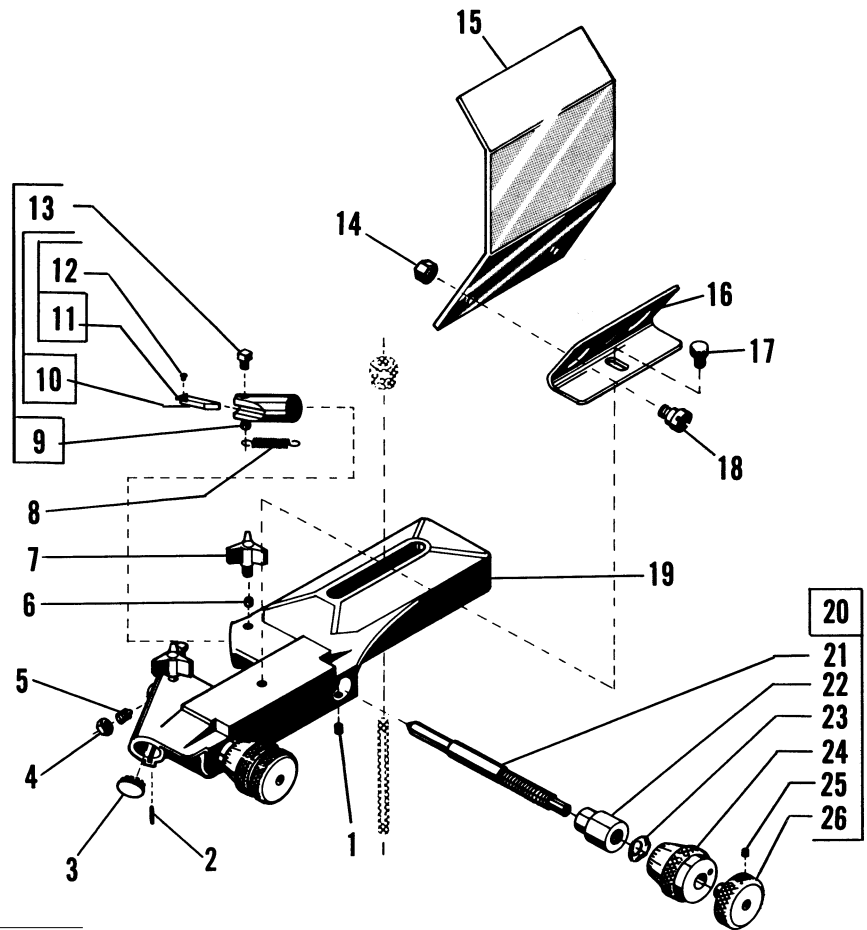
220 V



| ITEM | PART NO. | | QTY | DESCRIPTION |
|------|----------|--------|-----|---|
| | 110V | 220V | | |
| 1 | 910348 | 910348 | 1 | Panel, Electrical |
| 2 | 907963 | 907963 | 1 | Lamp |
| 3 | 900220 | 900220 | 1 | Screw, Allen Set |
| 4 | 901185 | 901185 | 1 | Plate, Switch |
| 5 | 903183 | 903183 | 2 | Screw, Round Head Machine |
| 6 | 906058 | 906077 | 1 | Grip, Cord |
| 7 | 920463 | 920463 | 1 | Plate, Electrical Caution |
| 8 | 900306 | 900306 | 4 | Screw, Drive |
| 9 | 907209 | 907210 | 1 | Cord, Set |
| 10 | 906893 | 921464 | 1 | Switch |
| 11 | 903079 | 903079 | 1 | Strap, Clamp |
| 12 | 921972 | 921972 | 1 | Screw, Tappet |
| 13 | 901926 | 901926 | 1 | Washer, Lock |
| 14 | 906883 | 906889 | 1 | Bushing, Insulated |
| | 922763 | | 1 | Replacement Lamp Switch & Socket (Not Shown) |
| | 922764 | | 1 | Replacement Lamp Switch & Dust Boot (Not Shown) |

Parts Identification

Twin Cutter, #6900



| ITEM | PART NO. | QTY | DESCRIPTION |
|------|----------|-----|--------------------------|
| 1 | 906109 | 2 | Screw, Set |
| 2 | 906841 | 2 | Pin, Groove |
| 3 | 906977 | 1 | Plug, Dot |
| 4 | 903528 | 2 | Nut, Hex |
| 5 | 909879 | 2 | Screw, Locating |
| 6 | 903142 | 2 | Plug, Brass |
| 7 | 906854 | 2 | Screw, Lock |
| 8 | 906905 | 2 | Spring |
| 9 | 910651 | 1 | Tool Holder Assembly, RH |
| | 910650 | 1 | Tool Holder Assembly, LH |
| 10 | 910701 | 1 | Tool Bit Assembly, RH |
| | 910702 | 1 | Tool Bit Assembly, LH |
| 11 | 906914 | 2 | Tool Bit, Carbide |
| 12 | 906499 | 2 | Screw, Machine Head |
| 13 | 909249 | 2 | Screw, Set Dog Point |
| 14 | 911166 | 2 | Insert, Hex |
| 15 | 911154 | 1 | Shield |
| 16 | 911153 | 1 | Bracket |
| 17 | 911152 | 1 | Screw, Thumb |
| 18 | 911150 | 2 | Retainer |
| 19 | 906911 | 1 | Housing, Twin Cutter |
| 20 | 906901 | 2 | Dial Assembly |
| 21 | 906908 | 1 | Rod, Dial |
| 22 | 906906 | 1 | Plug |
| 23 | 906929 | 1 | Washer, Spring |
| 24 | 906907 | 1 | Dial, Micrometer |
| 25 | 903338 | 1 | Screw, Set |
| 26 | 906923 | 1 | Knob, Dial Rod |

