

8.0 SPARE PARTS



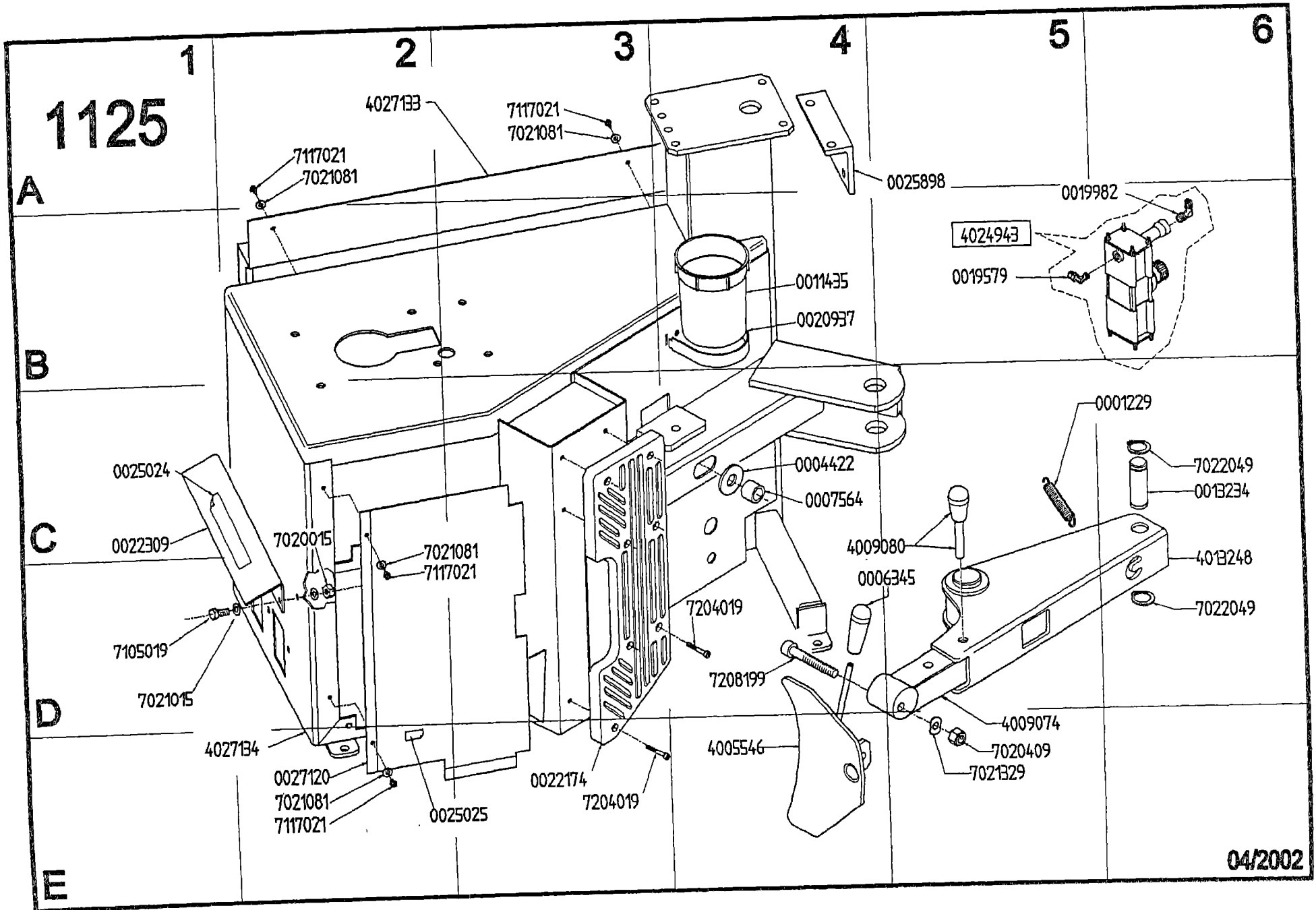
WARNING! THIS PART IS FOR USE OF AUTHORIZED TECHNICAL PERSONNEL ONLY

ACCU 3602

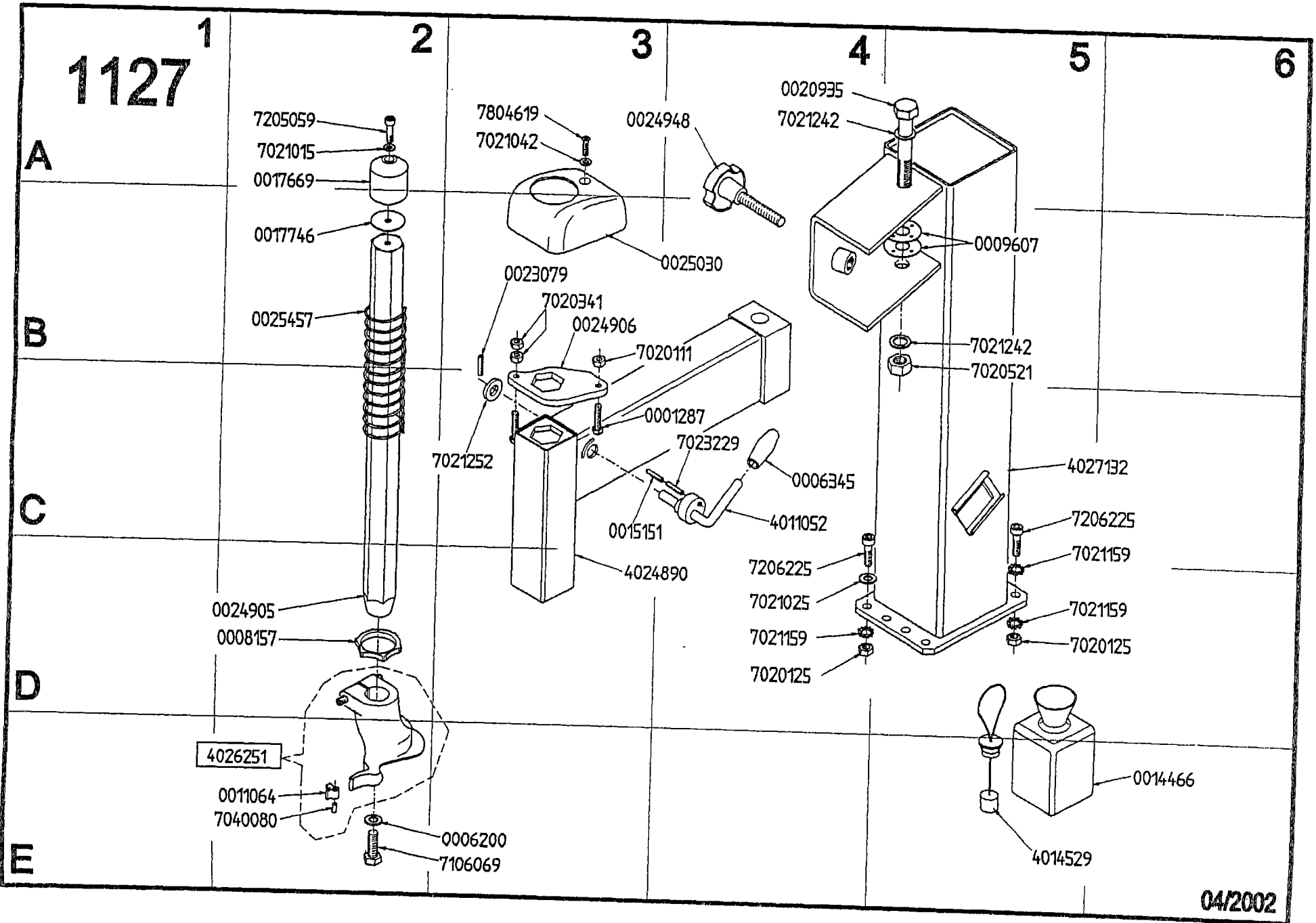
SPARE PARTS EXPLODED DRAWINGS

PNEUMATIC DIAGRAM

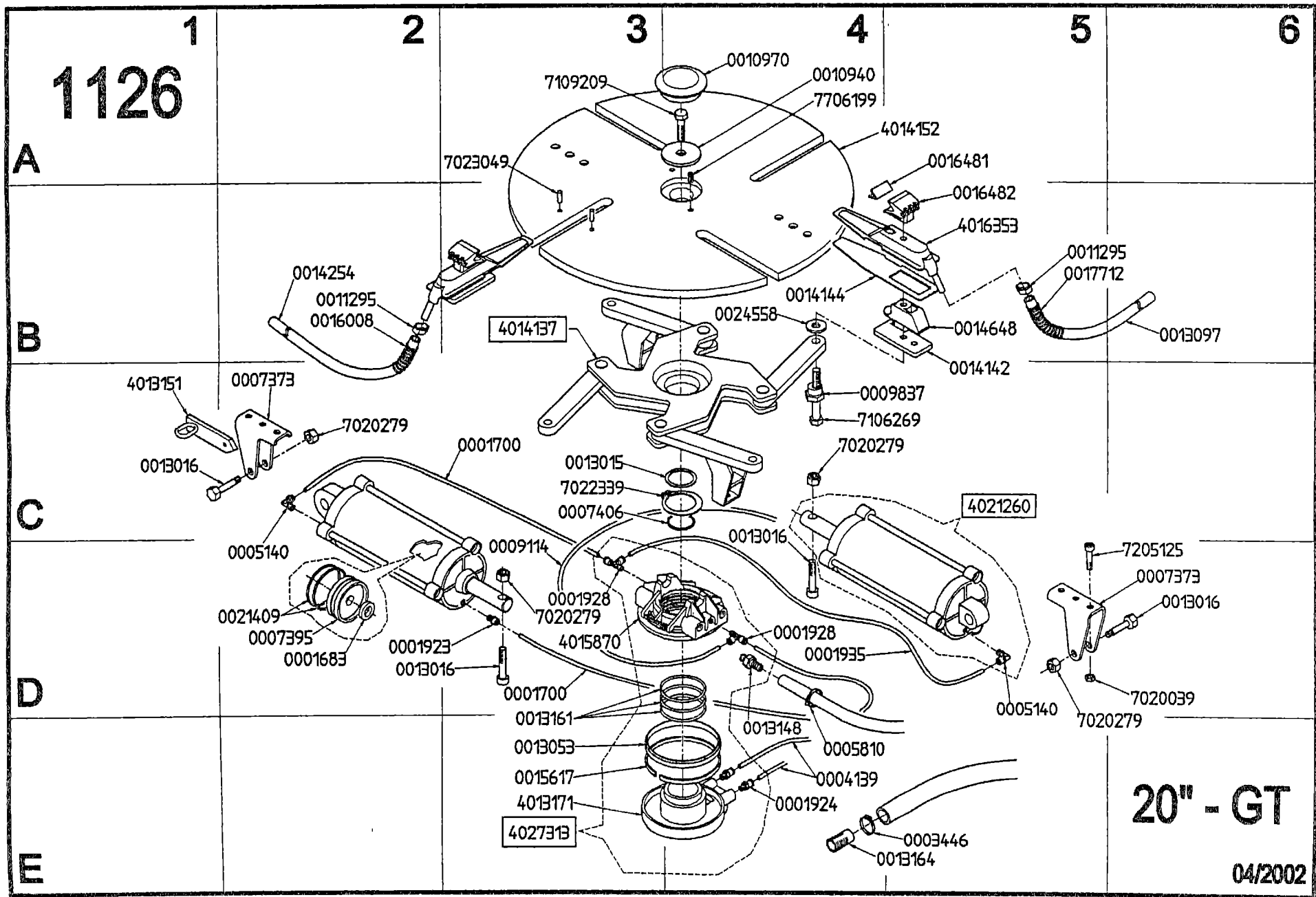
On order specify: type of machine and serial number, item code and quantity.



04/2002



04/2002



1126

A

B

C

D

E

1

2

3

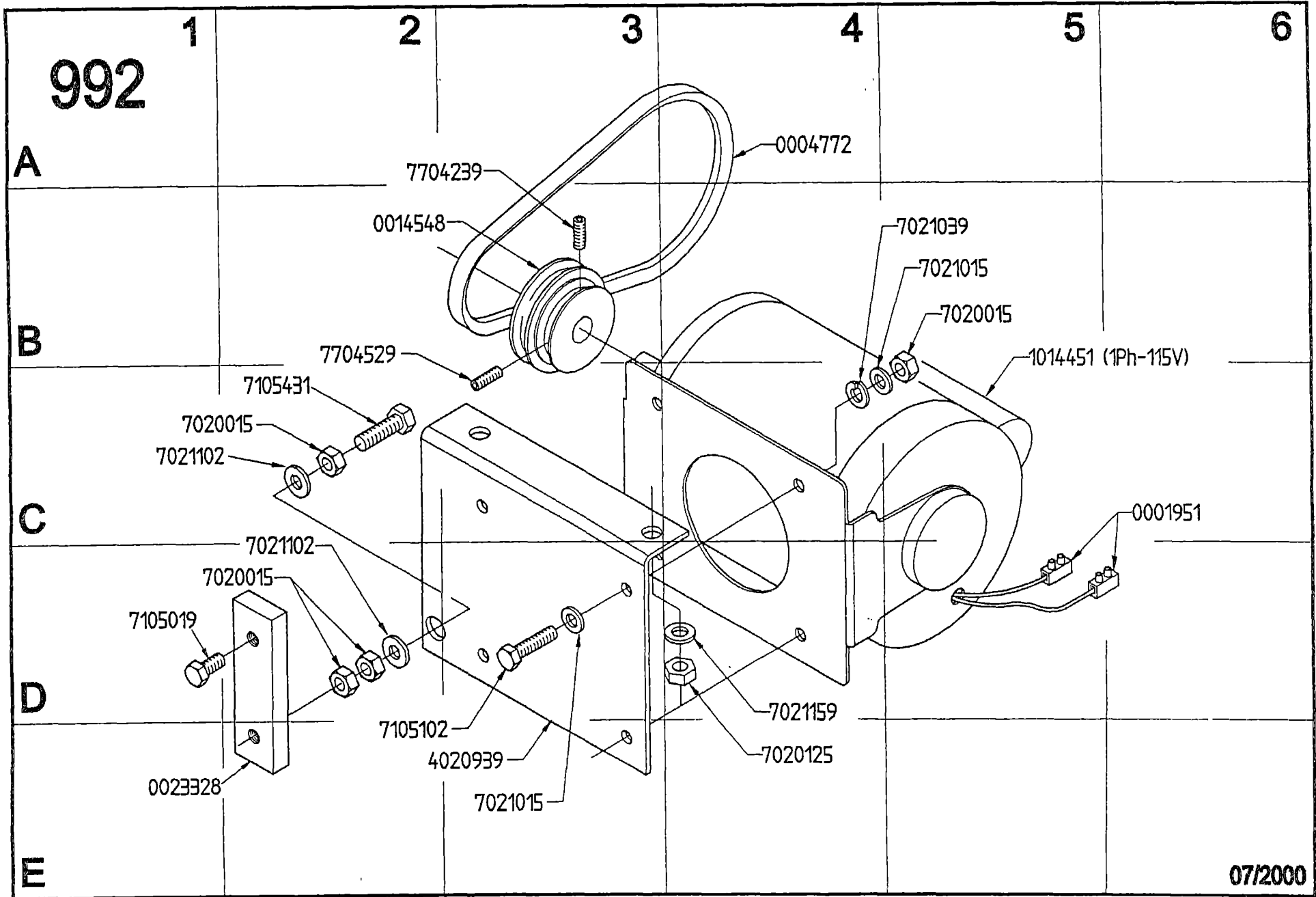
4

5

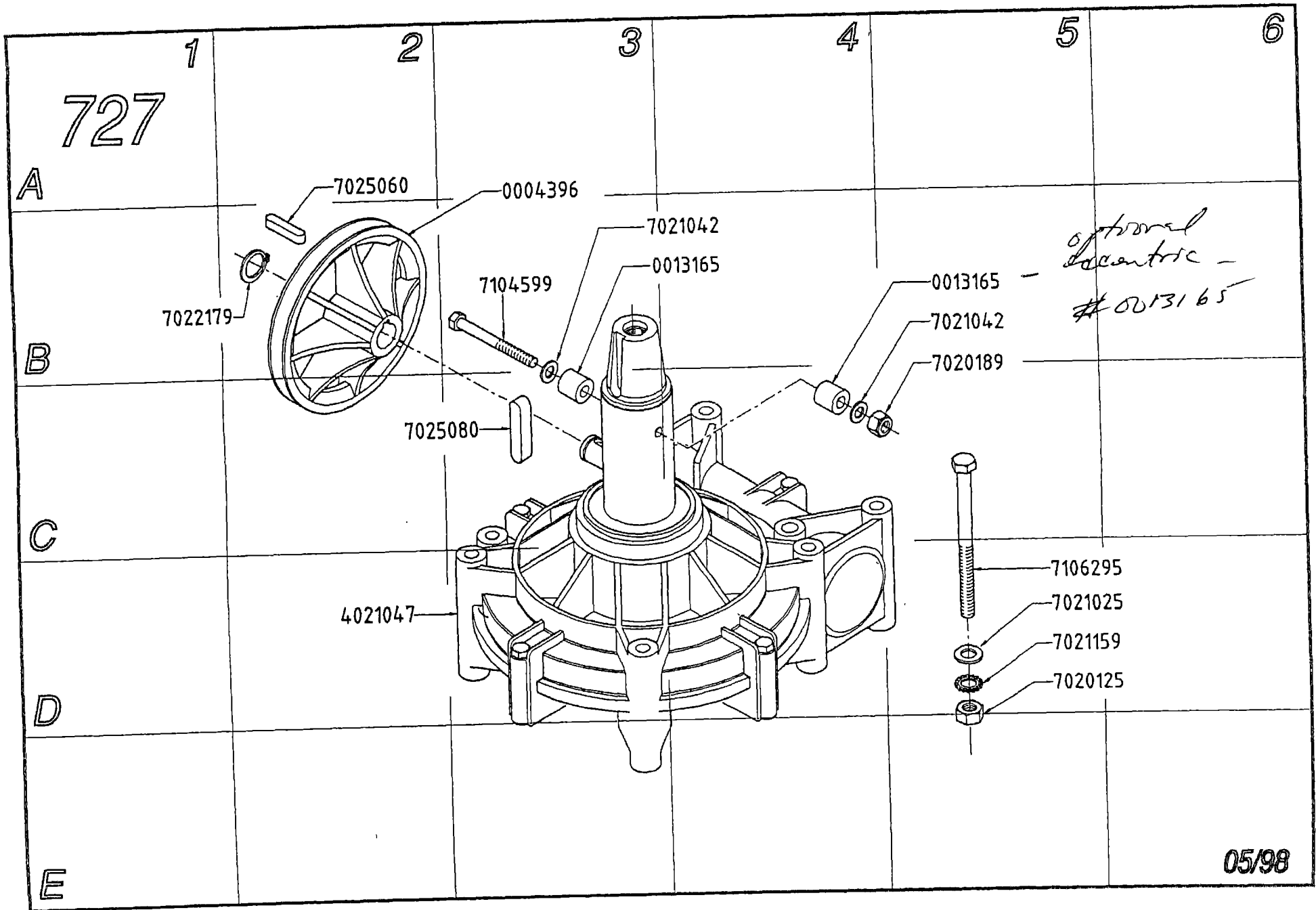
6

20" - GT

04/2002

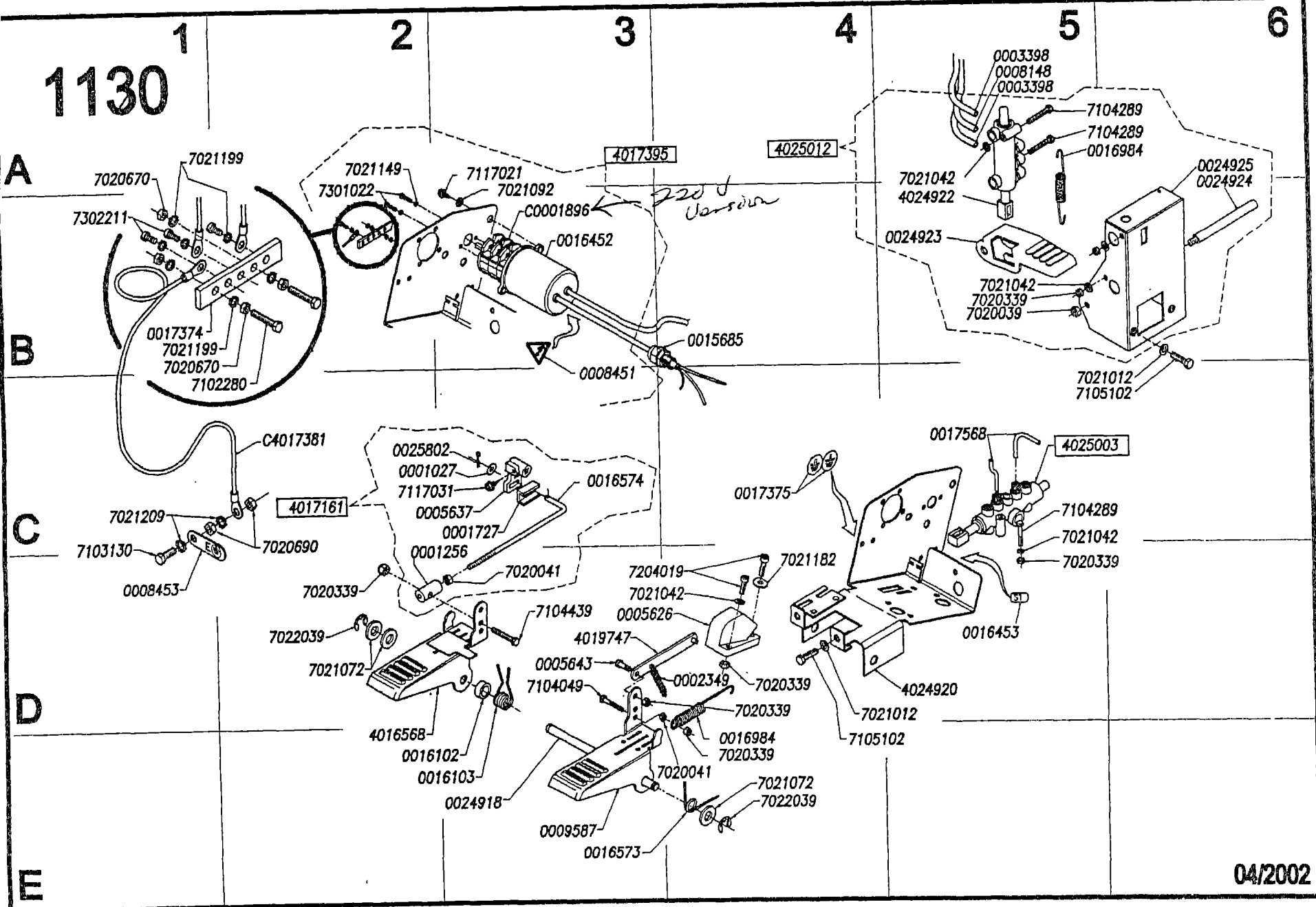


07/2000

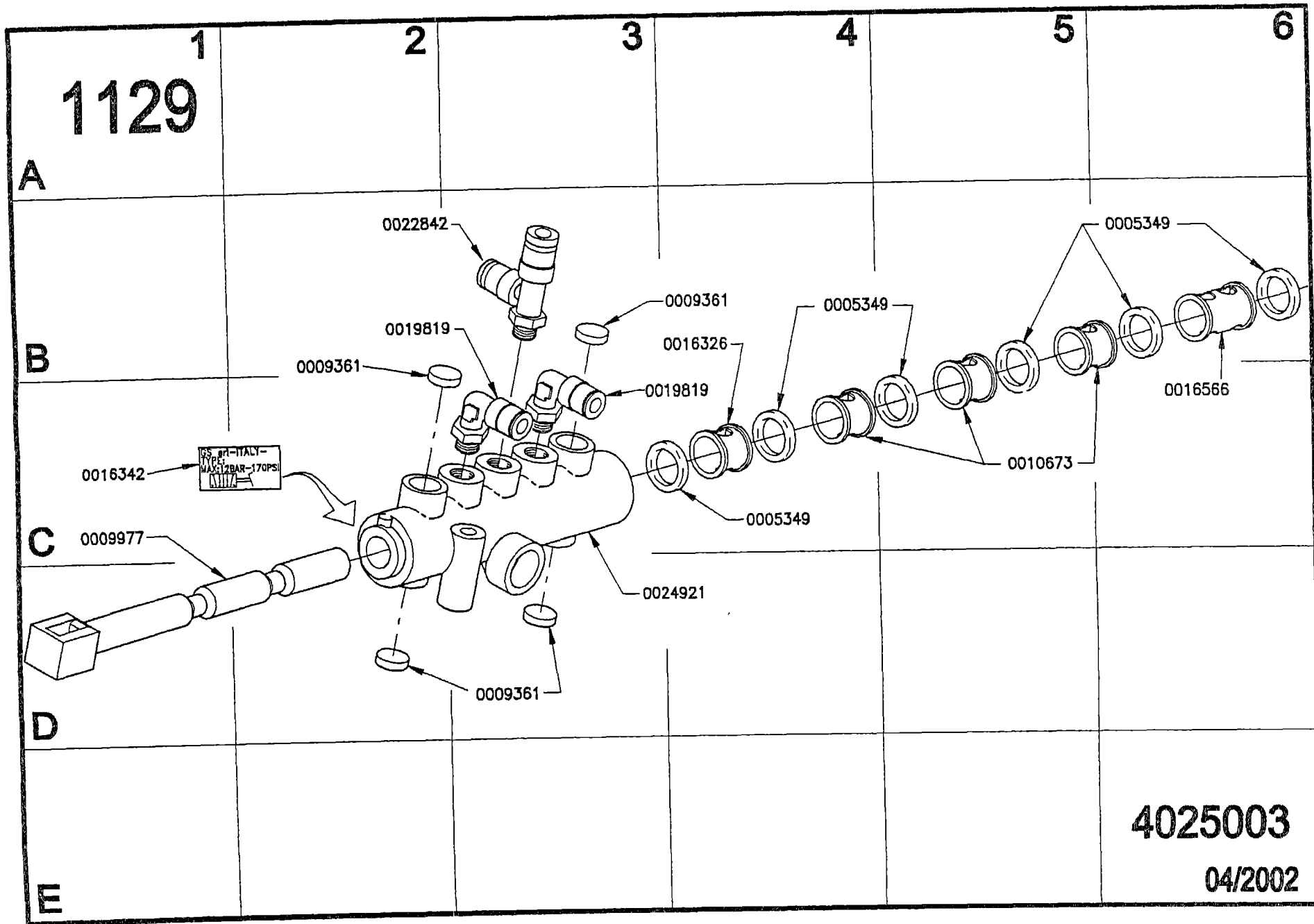


05/98

1130



04/2002



1034

A

B

C

D

E

1

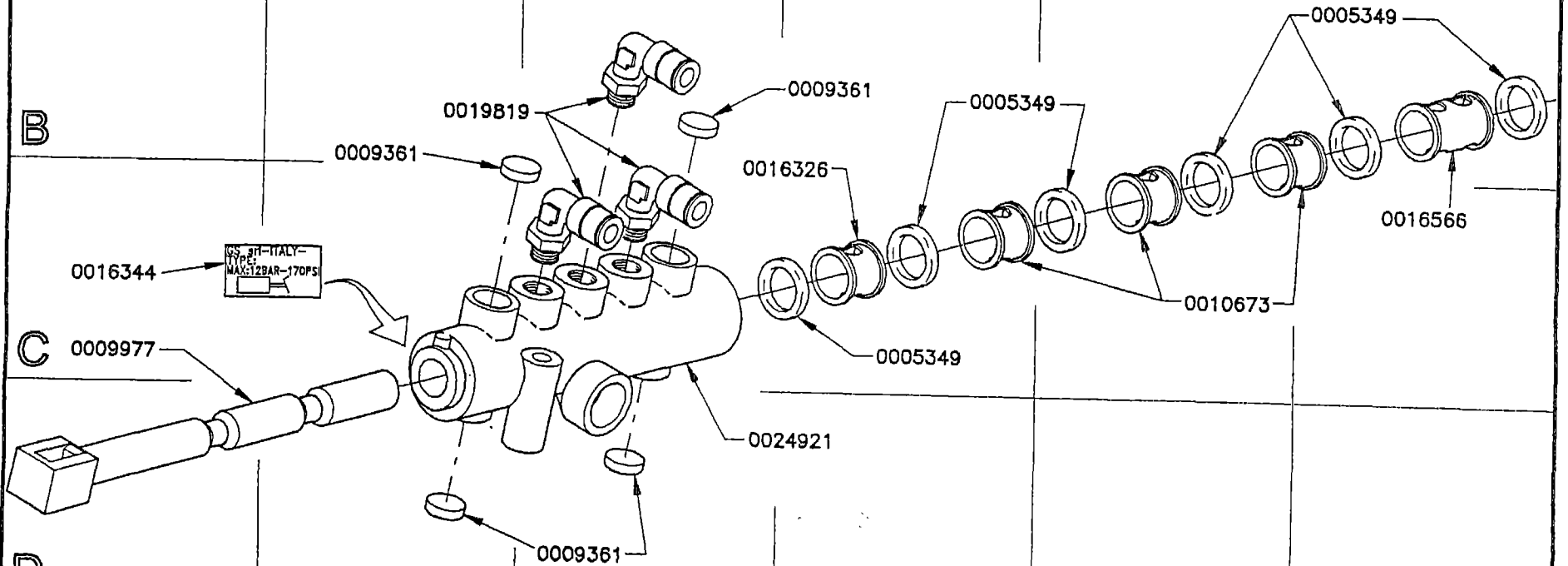
2

3

4

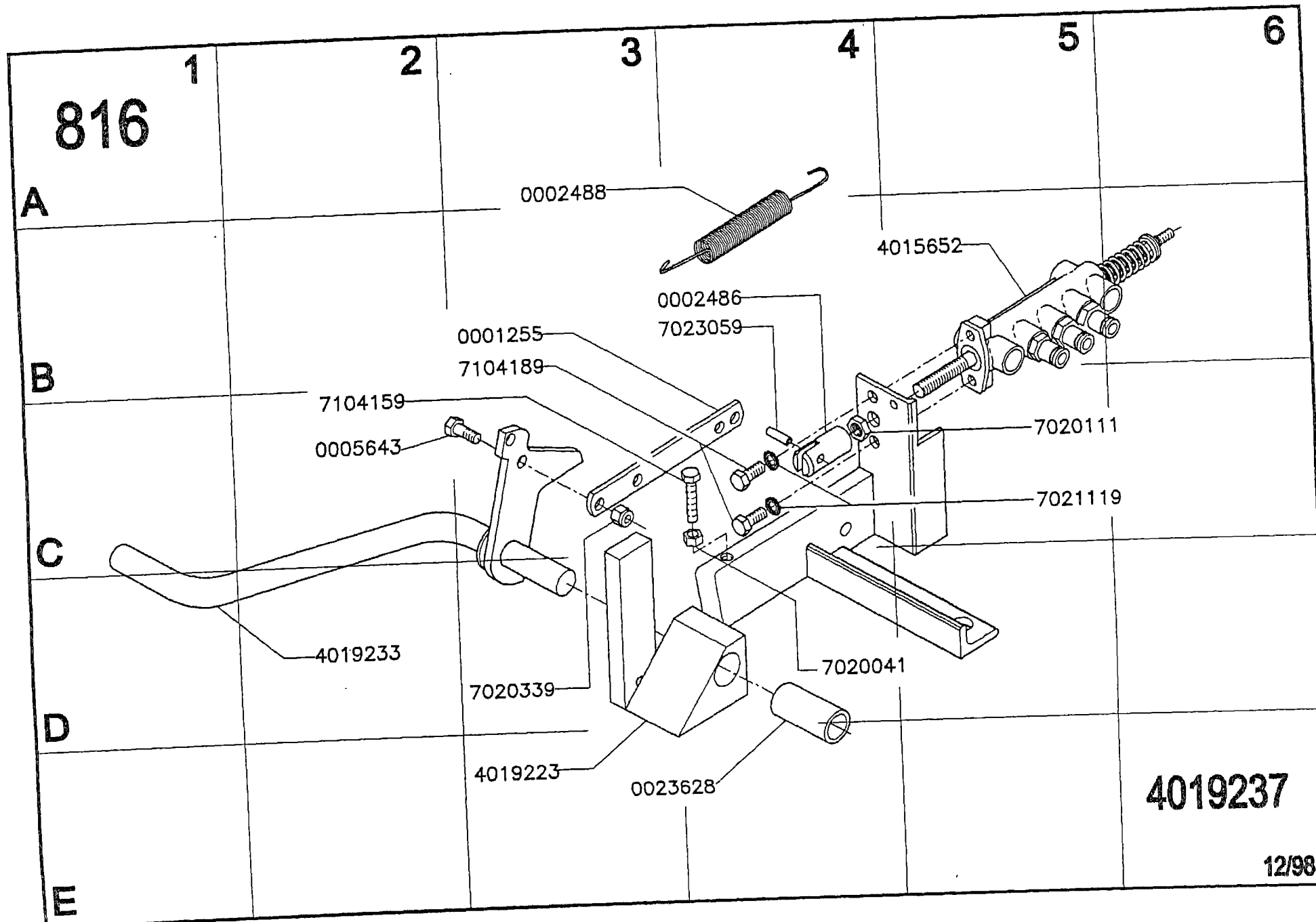
5

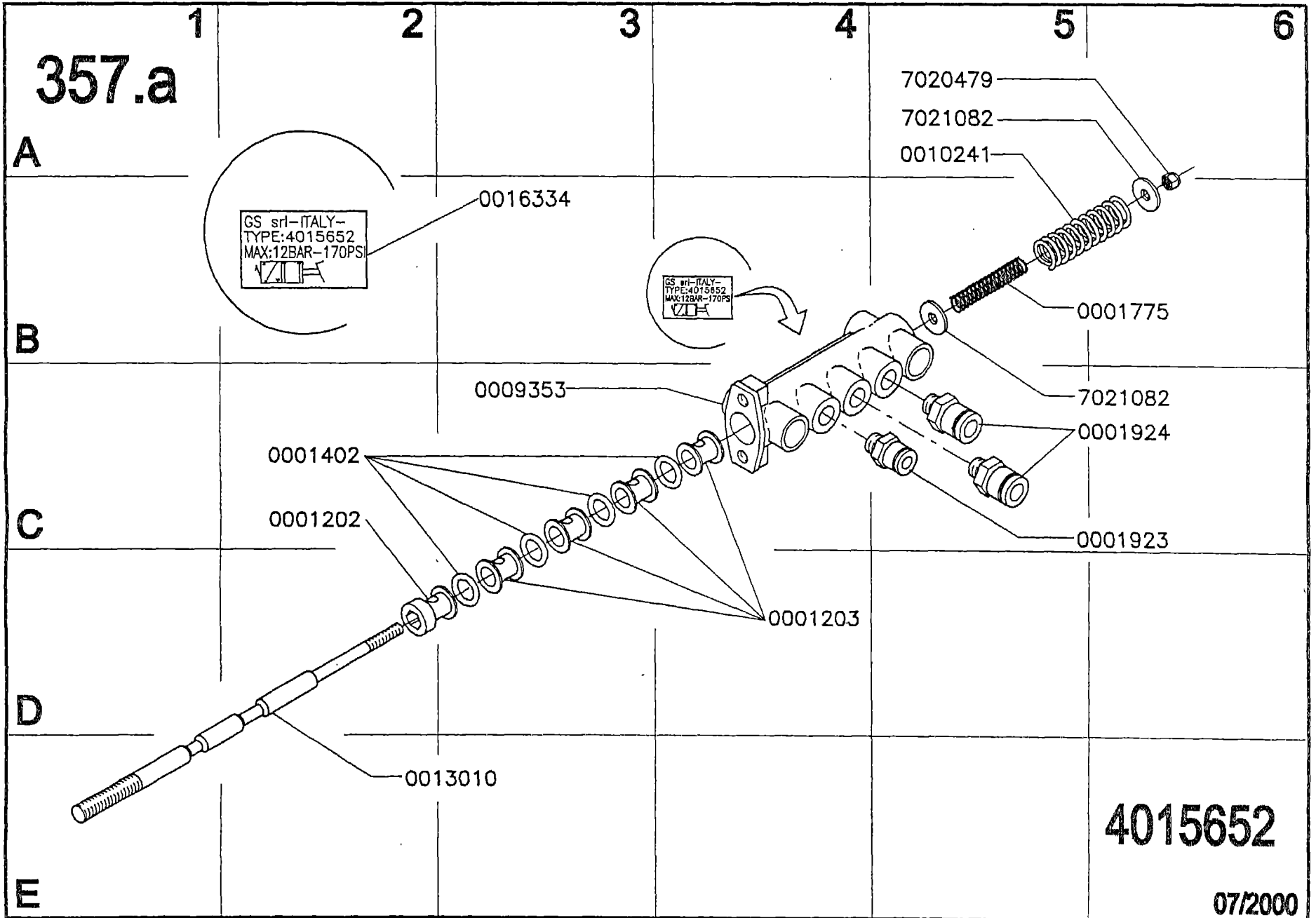
6

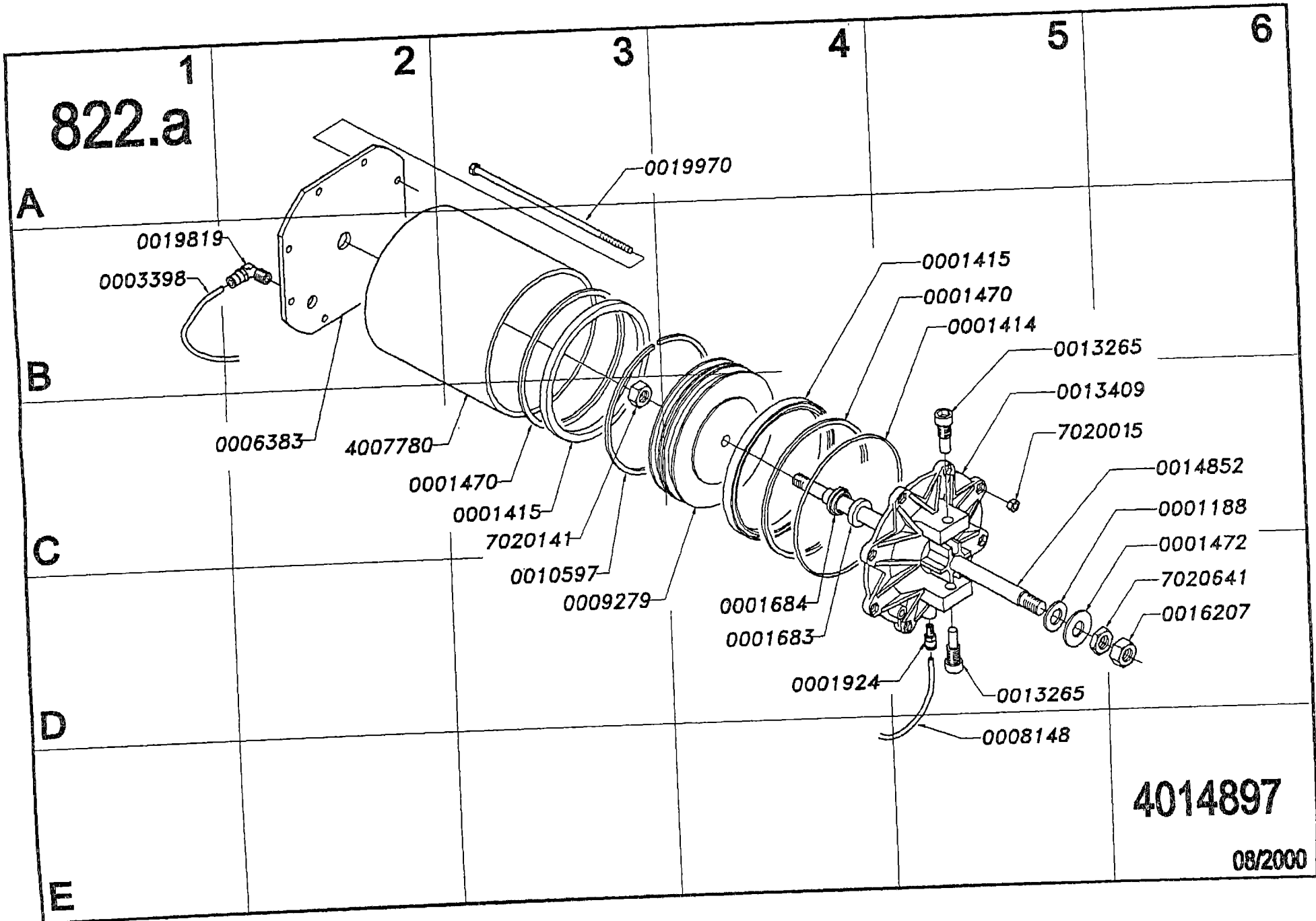


4024922

04/2001







1128

A

B

C

D

E

1

2

3

4

5

6

7020091

7021232

0024275

0001926

0001431

7021232

0013460

0022838

7202239

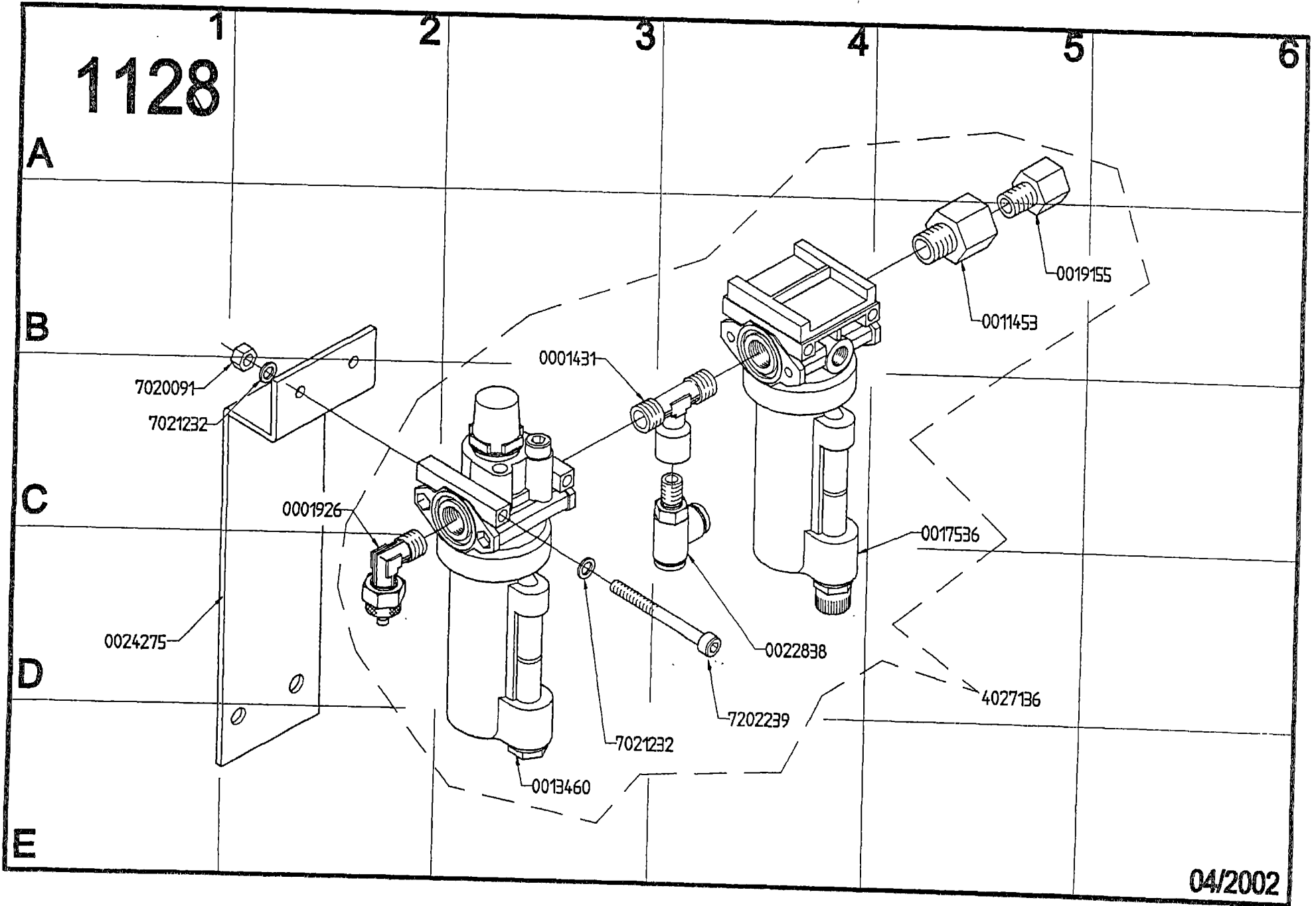
0017536

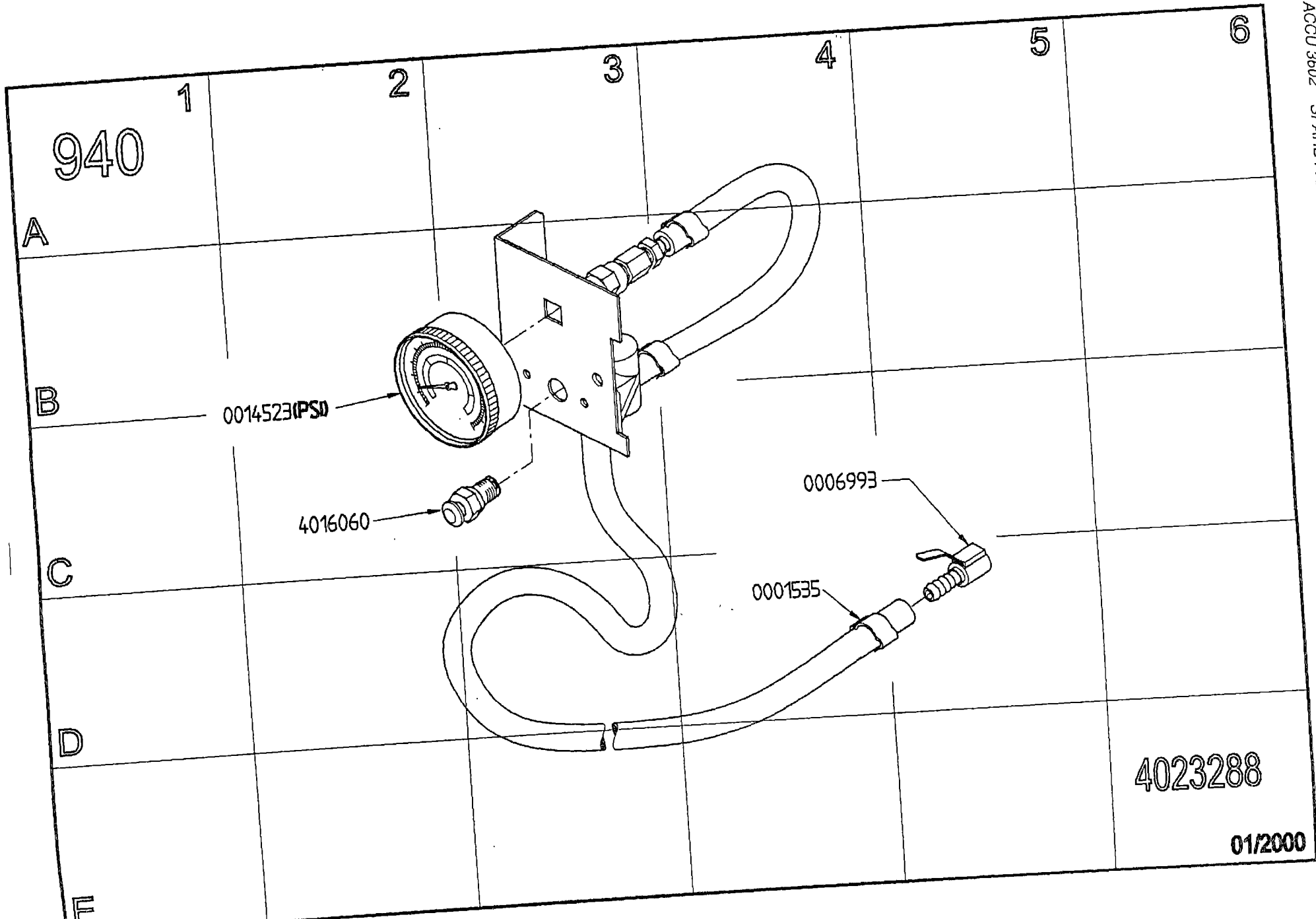
4027136

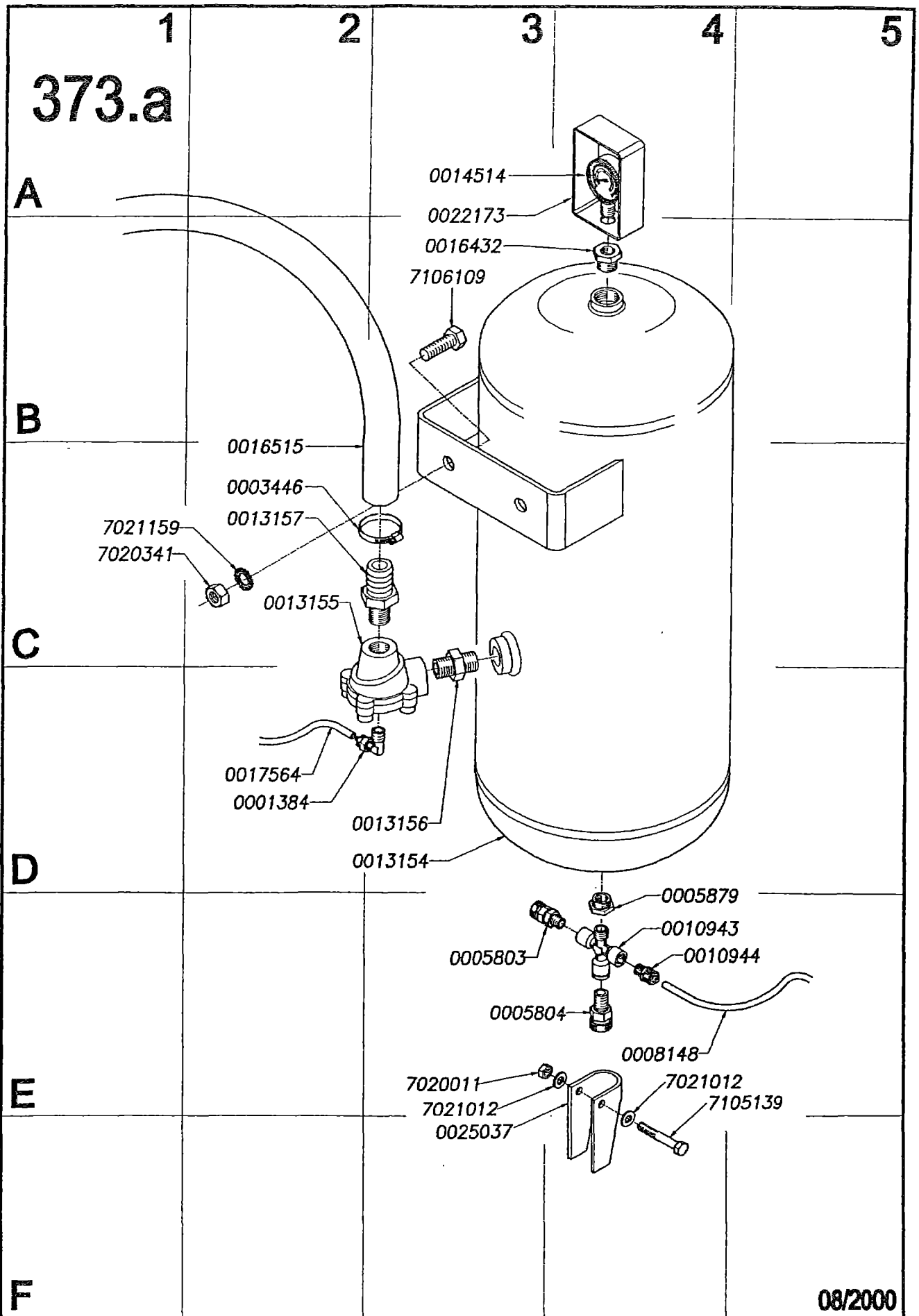
0019155

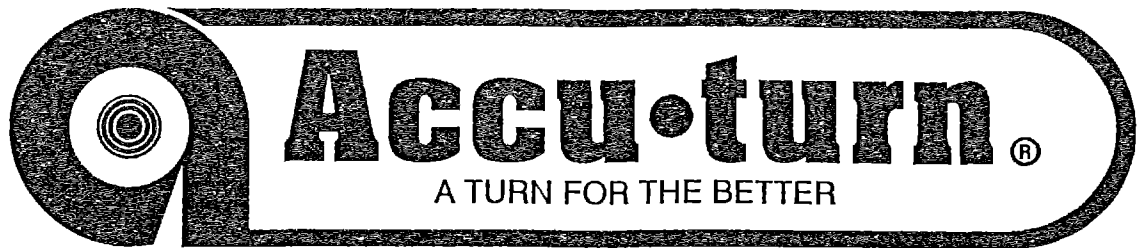
0011453

04/2002









USA

ACCU TURN Company
P.O. BOX 15540 / RICHMOND, VA 23227
11126 AIR PARK ROAD / ASHLAND, VA
23005
Tel.: (804) 798-8922
Fax: (804) 798-6742

Notice: The information contained in this document is subject to change without notice. **ACCU-TURN Company** shall not be liable for errors contained herein or for incidental consequential damages in connection with furnishings, performance, or use of this material.

This document contains proprietary information which is protected by copyright and patents. All rights are reserved. No part of this document may be photocopied, reproduced, or translated without prior written consent of **ACCU-TURN Company**.

